

1457-1453 - ~~single~~  
Twin

EXPORT-UNPRICED

**PRICE LIST**  
 OF  
**SPARE PARTS**  
 FOR  
**ARIEL**  
 THE MODERN  
**MOTOR CYCLE**  
 TWIN CYLINDER



**RED HUNTER**  
 MODEL K.H.

**1952 and provisional 1953**

**ARIEL MOTORS LTD.**  
**SELLY OAK . . . . BIRMINGHAM 29**

Telephone:                      Telegrams:  
**SELLY OAK 1381      ARIEL, SELLY OAK**  
 Cables: **ARIEL, SELLY OAK (ENGLAND)**

Price . . . . . *Two Shillings*

PRINTED BY ALLOY LIMITED, BIRMINGHAM

Order by SPARES No.	Do not use PART No.	DESCRIPTION OF PART	No. per Set	PRICE EACH £ s. d.
<b>CYLINDER AND FITTINGS</b>				
K1-51	K/1A	Cylinder barrel (fitted tappet guides)	1	..
K23-48		Tappet guide .. .. .	4	..
K22-50	K/22A	Tappet .. .. .	4	..
K33-47		Circlip (tappet) .. .. .	4	..
K146-51	K/102A	Push rod and end complete	4	..
K94-48		Cylinder base washer .. .. .	1	..

<b>CYLINDER HEAD AND FITTINGS</b>				
K2-51	K/2A	Cylinder head (polished) c/w valve guides	1	..
K28-48		Cylinder head stud .. .. .	8	..
S1-3		Nut for stud .. .. .	8	..
K6-51	K/6A	Valve cover .. .. .	2	..
K127-48		Valve cover washer .. .. .	2	..
K36-48		Peg locating valve cover .. .. .	4	..
K40-48		Valve cover stud .. .. .	2	..
K41-50	K/41A	Valve cover securing nut .. .. .	2	..
K148-48		Circlip for K41 .. .. .	2	..
0188	A6/829	Carburettor fixing stud .. .. .	2	..
S1-3		Nut for stud .. .. .	2	..
95-34	A7/401	Carburettor flange washer (thin) .. .. .	2	..
K153-48		Carburettor flange washer (thick) .. .. .	1	..
K39-48		Gasket (C and A) for cylinder head .. .. .	1	..

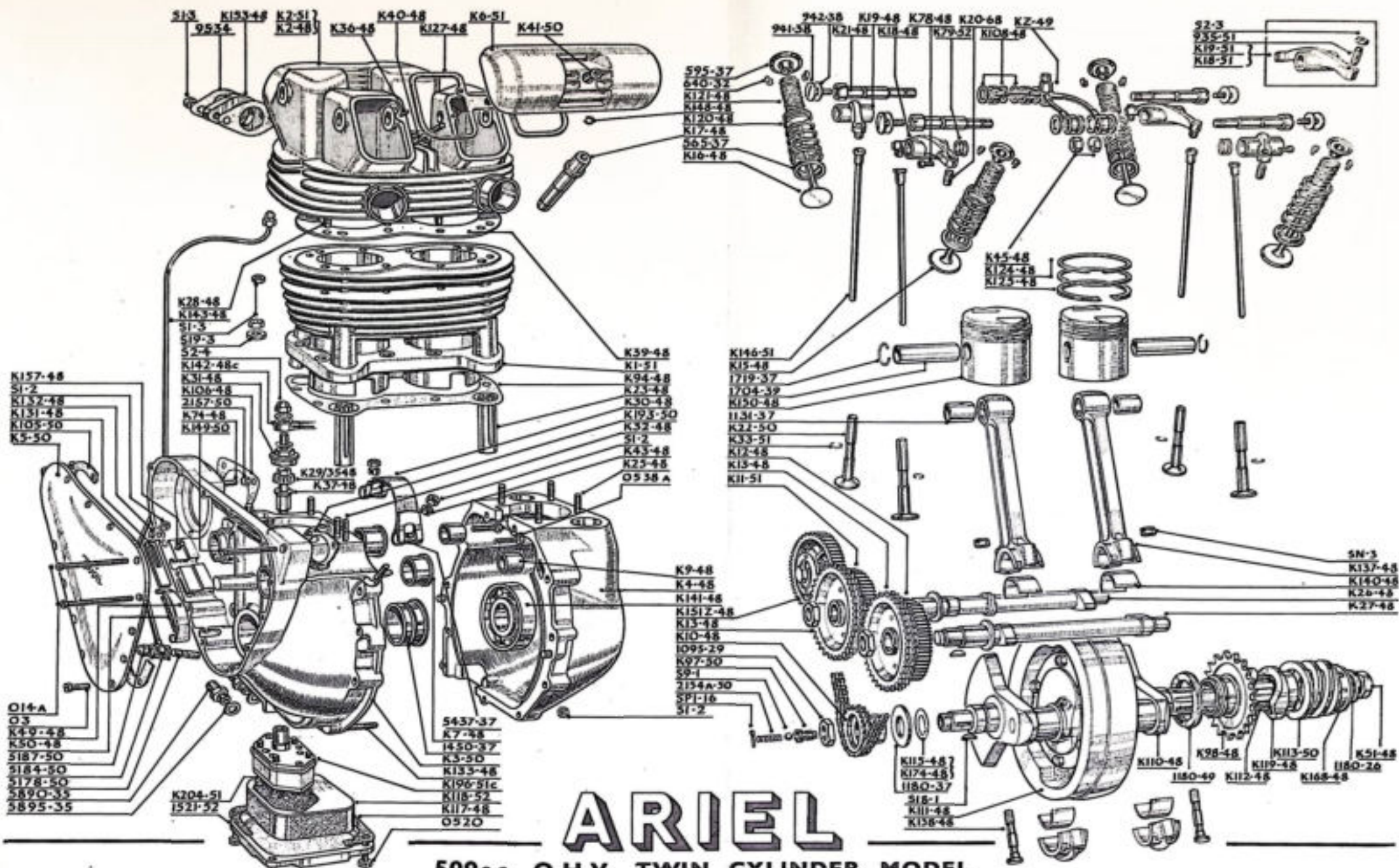
<b>VALVES AND FITTINGS</b>				
K15-48		Valve (inlet) .. .. .	2	..
K16-48		Valve (exhaust) .. .. .	2	..
K17-48		Valve guide .. .. .	4	..
K120-48		Valve spring (outer) .. .. .	4	..
K121-48		Valve spring (inner) .. .. .	4	..
565-37	ET/1086	Valve spring collar (pressing) .. .. .	4	..
595-37	ET/1054	Valve spring collar (taper hole) .. .. .	4	..
640-32	A6/549A	*Split cone (two halves) .. .. .	4	..

\*Note.—One split cone consists of two halves. Thus one pair of split cones consists of two complete cones, equal to four halves or pieces.

<b>ENGINE JOINT WASHER AND GASKET SET</b>				
GS/105		Carton containing washer and gasket set	-	..

<b>ROCKER ASSEMBLY</b>				
K18-51	K/18A	Rocker lever (inlet L/S, exhaust R/S)	2	..
K19-51	K/19A	Rocker lever (inlet R/S, exhaust L/S)	2	..
935-51	K/206	Rocker adjusting screws .. .. .	4	..
K21-48		Rocker spindle .. .. .	4	..
K45-48		Rocker spindle nut .. .. .	4	..
941-38	A7/627	Set screws for K21 .. .. .	4	..
942-38	A7/629	Washer for 941-38 .. .. .	4	..





# ARIEL

500c.c. O.H.V. TWIN CYLINDER MODEL



Order by SPARES No.	Do not use PART No.	DESCRIPTION OF PART	No. per Set	PRICE EACH £ s. d.
K103-48		Rocker end pin .. .. .	4	..
K79-52	K/79A	Rocker distance spring .. .. .	4	..
S2-3		Rocker adjusting screw locknut .. .. .	4	..
KZ-49		Oil feed pipe assembly for rockers .. .. .	1	..
K108-48		Copper washers for KZ .. .. .	8	..

### CRANKCASE AND FITTINGS

K3-4-50	K/3B/4	Crankcase (two halves with fixed fittings)	1	..
K5-50	K/5A	Timing chain cover .. .. .	1	..
03	A7/121	Cheese-head screw for K5 ( $\frac{1}{4}$ in. $\times$ $\frac{11}{16}$ in.)	11	..
014A	K/179	Cheese-head screw for K5 ( $2\frac{1}{4}$ in. $\times$ $\frac{7}{16}$ in.)	2	..
K149-50	K/180	Cheese-head screw for K5 ( $1\frac{1}{2}$ in. $\times$ $\frac{11}{16}$ in.)	1	..
K105-50	K/181	Joint washer for cover .. .. .	1	..
K25-48		Studs for cylinder base .. .. .	8	..
S1-3		Nuts for K25 .. .. .	8	..
1544-31	ET/568	Dowel for cylinder base location .. .. .	2	..
1450-37	ET/1018	Mainshaft bush, white metal lined .. .. .	1	..
K141-48		Roller bearing MRJ.A $1\frac{1}{2}$ in. lipped .. .. .	1	..
K7-48		Bush for camshaft (flanged), gear side .. .. .	2	..
K9-48		Bush for camshaft (plain), drive side .. .. .	2	..
K37-48		Bush for pump shaft .. .. .	1	..
K31-48		Cap assembly (spring loaded) for pump shaft .. .. .	1	..
K142-48C		Oil pipe breather to rear chain .. .. .	1	..
S2-4		Nut securing K142 .. .. .	1	..
1521-52	K/207	Crankcase sump cover .. .. .	1	..
1528-48	K/117	Washer (joint) for sump cover .. .. .	1	..
0520	A6/501	Set pin securing sump cover .. .. .	4	..
K74-48		Stud for magneto fixing .. .. .	3	..
K106-48		Washer (joint) for magneto .. .. .	1	..
2157-30	E8/234	Nut for K74 (B.T.H. mag.) .. .. .	3	..
S1-3		Nut for K74 (Lucas mag.) .. .. .	3	..
K193-50		Washer (joint) for dynamo .. .. .	1	..
K30-48		Strap securing dynamo .. .. .	1	..
K32-48		Stud for K30 .. .. .	2	..
K43-48		Washer for K32 .. .. .	2	..
S1/2		Nut .. .. .	2	..
5437-47	E8/1024	Swivel pin for K30 .. .. .	2	..
5890-35	A7/474	Oil pipe union (delivery and return) .. .. .	2	..
5895-35	A6/58	Fibre washer for 5890-35 .. .. .	2	..
5178-50	A7/901	Connecting stud for oil pipe to rocker box .. .. .	1	..
K143-48		Oil pipe to rocker box .. .. .	1	..
5184-50	A7/917	Fibre washer for 5178-50 .. .. .	2	..
5187-50	A7/900	Cap nut for 5178-50 .. .. .	1	..

### CRANKCASE STUDS—TIE BOLTS AND ENGINE PLATES

0137	K/208	Bolt (top) securing half crankcases .. .. .	2	..
K133-48		Stud (bottom) .. .. .	3	..
S1/2		Nut for K133 .. .. .	3	..
S19/2		Washer for K133 .. .. .	3	..
K92-48		Tie bolt for engine plates ( $3$ in. $\times$ $\frac{5}{16}$ in.)	3	..
K93-48		Tie bolt for gearbox plates ( $4\frac{1}{2}$ in. $\times$ $\frac{5}{16}$ in.)	3	..
0302	ET/1062	Tie bolt ( $\frac{3}{8}$ in. $\times$ $4\frac{1}{2}$ in. $\times$ 26 T.P.I.)	1	..
S1/3		Nut for tie bolts .. .. .	12	..
SPW.5/16		Shakeproof washer for S1/3 .. .. .	12	..
K90-48		Tie bolt (frame) ( $3\frac{7}{16}$ in. $\times$ $\frac{1}{2}$ in. Whit.)	1	..
S1/6		Nut for K90 .. .. .	2	..
SPW.1/2		Shakeproof washer for K90 .. .. .	2	..
K70-48		Front engine plate, R/S .. .. .	1	..

Order by SPARES No.	Do not use PART No.	DESCRIPTION OF PART	No. per Set	PRICE EACH £ s. d.
K71-48		Front engine plate, L/S .. ..	1 ..	
K72-48		Rear engine and gearbox plate, R/S ..	1 ..	
K73-48		Rear engine and gearbox plate, L/S ..	1 ..	
K77-48		Distance tube for engine plate .. ..	1 ..	
2330-29	E8/560	Adjuster draw bolt for gearbox and primary chain .. ..	1 ..	
2336-35	E9/547	Nut for 2330-29 .. ..	1 ..	
0910	E9/97	Rear fixing bolt, gearbox ( $\frac{1}{2}$ in. $\times$ 4 in.) ..	2 ..	
S1/6		Nut for 0910 .. ..	2 ..	
S5/6		Spring washer .. ..	2 ..	
2382-33	E9/371	Pivot bolt, gearbox ( $\frac{1}{2}$ in. $\times$ 4 $\frac{1}{2}$ in.) ..	1 ..	
0917	E9/413	Stud (gearbox fixing) .. ..	1 ..	
S1/6		Nut .. ..	2 ..	
S5/6		Spring washer .. ..	1 ..	

### CRANKSHAFT ASSEMBLY

K110-48		Crankshaft (plugged) .. ..	1 ..	
K130-50	K/192	Oil passage plug (large) .. ..	2 ..	
K144-48		Oil passage plug (small) .. ..	1 ..	
K111-48	K/111A	Flywheel .. ..	1 ..	
0533	FL/348	Bolt for K111 ( $\frac{1}{2}$ in. $\times$ $\frac{3}{8}$ in.) .. ..	6 ..	
S1/2		Nut for 0533 .. ..	6 ..	
K137-48		Connecting rod with bolts, S.E. bush and B.E. bearing .. ..	2 ..	
K138-48		Bolt for connecting rod .. ..	4 ..	
SN-3		Nut (pinnacle) for K138 .. ..	4 ..	
K140-47		Connecting rod B.E. bearing (two halves) .. ..	per half ..	
1131-37	ET/1115	S.E. bush .. ..	2 ..	
1180-49	ET/1379	Rubber oil seal c/w tensioner spring .. ..	1 ..	

### PISTONS AND FITTINGS

K150-48	K/122	Piston only, normal (com. ratio 6.8) .. ..	2 ..	
K171-48	K/171	Piston only, high compression (ratio 7.5) .. ..	2 ..	
K150C-48	K/122C	Piston c/w rings, gudgeon pin and circlips (ratio 6.8) .. ..	1 ..	
K171C-48		Piston c/w rings, gudgeon pin and circlips (ratio 7.5) .. ..	1 ..	
K124-48		Piston ring (compression) .. ..	4 ..	
K125-48		Piston ring (oil control) .. ..	2 ..	
1704-39	ET/1019	Gudgeon pin .. ..	2 ..	
1719-37	ET/1109	Circlip .. ..	4 ..	

### TIMING GEAR

K26-48		Camshaft (inlet) .. ..	1 ..	
K27-48		Camshaft (exhaust) .. ..	1 ..	
K10-48		Crankshaft timing sprocket .. ..	1 ..	
S18-1		Woodruff No. 3 key for K10 and K13 .. ..	3 ..	
1095-29	A6/398	Locknut for K10 and K13 .. ..	3 ..	
K11-51	K/11A	Camshaft gear (inlet), 59T .. ..	1 ..	
K12-51	K/12A	Camshaft gear (exhaust), 57T .. ..	1 ..	
K13-48	K/13A	Camshaft sprocket .. ..	2 ..	
K87-48		Rivet for K11 and K12 .. ..	per set of 8 ..	
K84-50	K/176	Dynamo gear wheel .. ..	1 ..	



Order by SPARES No.	Do not use PART No.	DESCRIPTION OF PART	No. per Set	PRICE EACH £ s. d.
K151Z-48		Magneto driving gear with control assembly complete. State B.T.H. mag. or Lucas mag.	1	..
K49-48		Tensioner blade	1	..
K50-48		Tensioner spring	1	..
2118-31	ET/573	Peg for blade securing spring	2	..
K131-48		Stop for blade	1	..
K157-48		Stud for K131	1	..
S1/2		Nut for K157	1	..
K132-48		Tab washer	1	..
Chain No. 114-500		Timing chain (endless), 8 mm. pitch x 5 mm. roller x 72 pitches	1	..
K97-50	K/97B	Release valve body	1	..
2154-50	ET/639B	Release valve body spring	1	..
S19-1		Ball for release valve body	1	..
		Split pin for release valve	1	..
1180-37	ET/1088	Washer (steel) for crankshaft (timing side)	1	..
K115-48		Shim for crankshaft (.002 in., .003 in., .004 in.)		as reqd. - ..
K174-48		Shim for camshaft (.008 in., .010 in., .012 in., .014 in.)		as reqd. - ..

#### SHOCK ABSORBER AND ENGINE SPROCKETS

K134-48		Engine driving sprocket, 19T	1	..
K98-48		Engine driving sprocket, 21T	1	..
K112-48		Sleeve (splined) for shock absorber	1	..
K119-48		Sliding member	1	..
K113-50	K/113B	Spring	1	..
K168-48		Spring retaining collar	1	..
K51-48		Sleeve nut	1	..
1180-26	A6/18	Washer for K168-48 (hardened, 12G)	1	..

#### OIL PUMP

K196-51S	CI	Oil pump complete in exchange for original pump. (Factory Exchange Service)	-	..
K196-51C		Oil pump complete	-	..
K29/35-48		Oil pump driving gear and shaft (assembled)	1	..
K118-52	K/118A	Sump filter gauze	1	..

#### PROP STAND

S2450C-50	E9/1222	Prop stand complete	1	..
R2450-51	E9/1120	Prop stand complete	1	..
2461-48	E9/1140	Prop stand spring	1	..

(R) For rigid frame

(S) For spring frame

#### 1952 BA GEARBOX PARTS

Makers of Gearbox: Messrs. BURMAN & SONS LTD.,  
Wychall Lane, Kings Norton, Birmingham 30

Used on Model KH

3000-35	1BAP/M3	Gearbox shell	1	..
3002-31	2/1BA	Gearbox joint washer	1	..
3004-31	60X/M1	Gearbox stud (1/4 in. x 1 in.)	5	..
3005-31	63X	Gearbox stud nut (1/4 in.)	5	..
3012-36	3BA/M12	Kick-starter case (foot change)	1	..

Order by SPARES No.	Do not use PART No.	DESCRIPTION OF PART	No. per Set	PRICE EACH £ s. d.
3022-48	4BA/M20	Kick-starter case cover (foot change)	1	..
3030-31	172X	Kick-starter case cover locating piece	1	..
3035-33	4/2BA/M1	Kick-starter case stud ( $\frac{1}{8}$ in. $\times$ $1\frac{1}{2}$ in.)	2	..
3037-33	286X	Kick-starter case stud ( $\frac{1}{4}$ in. $\times$ $2\frac{1}{8}$ in.)	2	..
3038-33	62X	Kick-starter case stud ( $\frac{1}{4}$ in. $\times$ $1\frac{1}{2}$ in.)	2	..
3017-38	63X/M3	Kick-starter case stud dome nut ( $\frac{1}{4}$ in.)	4	..
3018-38	63X/M4	Kick-starter case stud dome nut ( $\frac{5}{16}$ in.)	2	..
3042-35	175X/M3	Clutch operating lever	1	..
3045-35	66X/M4	Clutch lever pin	1	..
3050-35	294X	Clutch operating plunger	1	..
3053-35	293X	Clutch adjusting screw	1	..
3060-48	10BA/M31	Mainshaft	1	..
3068-50	11-7-11	Mainshaft nut (clutch end)	1	..
3070-50		Mainshaft nut lock plate	1	..
3075-34	14BA/M3	Mainshaft sliding gear, 26-20T	1	..
3080-34	15BA/M10	Driving gear and bushes, 33T	1	..
3087-31	223X	Driving gear bush (compo.)	per set of 2	..
3089-31	218X	Driving gear nut	1	..
3095-31	219X	Driving gear bearing	1	..
3098C-48	61BA/M2	Oil seal gland washer (flat)	2	..
3099B-48	112BA/M1	Bearing gland (oil seal)	1	..
3101B-48	63BA/M2	Bearing locating ring (split)	1	..
3102-31	79X	Bearing retaining ring	1	..
3105-31	22BA/M1	Driving sprocket ( $\frac{1}{2}$ in. $\times$ $\frac{3}{4}$ in.), 19T	1	..
3112-35	23BA/M2	Driving sprocket spacing collar	1	..
3115-34	24BA/M3	Third gear (mainshaft), 30T	1	..
3120-34	25BA/M3	Third gear (layshaft), 24T	1	..
3125-48	26BA/M4	Second gear (layshaft), 28T	1	..
3130-48	27BA/M6	First gear (layshaft), 34T	1	..
3135-34	28BA/M1	Small gear (layshaft), 21T	1	..
3140-34	29BA/M3	Layshaft clutch	1	..
3142-50	30BA/M17B	Layshaft spindle with fixed bushes (G.107)	1	..
3145-31	191X/M1	Layshaft spindle bush	2	..
3150-50	33BA/M6	Speedometer spindle (G.107)	1	..
3155-50	321X	Speedometer spindle bush	1	..
3160-31	112X	Speedometer spindle thrust button	1	..
3162-31	155X	Speedometer spindle plug	1	..
3164-31	156X	Speedometer cable cotter pin	1	..
3166-31	86X	Layshaft bearing glut	1	..
3168-31	88X	Layshaft cover washer	1	..
3175-31	37BA	Mainshaft bearing (K.S. end)	1	..
3178-31	37/1BA	Mainshaft bearing washer	1	..
3180-31	37/2BA	Mainshaft bearing retaining ring	1	..
3190-31	38BA/M1	Ratchet pinion, 17T	1	..
3193-31	39BA	Ratchet pinion bush	1	..
3196-31	40BA	Ratchet pinion spring	1	..
3199-31	70X	Ratchet nut	1	..
3202-31	41BA	Driving ratchet	1	..
3210-31	42BA	Operating fork (mainshaft)	1	..
3214-31	43BA	Operating fork (layshaft)	1	..
3220-31	157X	Operating peg	2	..
3223-31	158X	Operating peg cotter	2	..
3230-31	45BA/M2	Camshaft	1	..
3235-31	159X	Camshaft bush (in gearbox)	1	..
3236-48	291X	Camshaft disc washer (in case)	1	..
3238-31	160X/M2	Camshaft bush (in kick-start case)	1	..
3241-31	192X	Camshaft rollers	per set of 12	..
3258-31	163X/M2	Pawl	1	..
3259-31	193X/M1	Pawl spring	1	..
3261-31	164X	Pawl bearing	1	..



Order by SPARES No.	Do not use PART No.	DESCRIPTION OF PART	No. per Set	PRICE EACH £ s. d.
3264-31	95X	Pawl bearing nut .. .. .	1	..
3275-31	98X	Pawl spring plug .. .. .	1	..
3300-36	194X/M14	Kick-starter lever (splined) .. .. .	1	..
3305-31	115X	Kick-starter lever pedal .. .. .	1	..
3307-35	E9/562	Kick-starter lever pedal rubber .. .. .	1	..
3310-37	315X	Kick-starter lever bolt .. .. .	1	..
3312-50	350	Kick-starter lever bolt nut .. .. .	1	..
3320-48	198X/M7	Kick-starter spindle .. .. .	1	..
3325-31	199X/M3	Kick-starter quadrant .. .. .	1	..
3330-48	200X/M6	Kick-starter spindle bush (outer) .. .. .	1	..
3333-31	201X	Kick-starter spindle bush (inner) .. .. .	1	..
3334-48	OF42/M2	Felt gland washer .. .. .	1	..
3335-48	130X/M2	Kick-starter spring .. .. .	1	..
3336-48	OF73/M4	Retaining washer .. .. .	1	..
3338-31	134X/M2	Stop peg rubber .. .. .	1	..
3340-31	288X	Adjuster bolt pivot pin .. .. .	1	..
3342-37	247X/M2	Gearbox grease plug .. .. .	1	..
3344-31	209X	Speedometer protection tube .. .. .	1	..

### CLUTCH PARTS—1952 BA GEARBOXES

3350-36	306X/M2	Clutch case (three-plate) .. .. .	1	..
3355-48	305X/M5	Clutch centre (three-plate) .. .. .	1	..
3360-36	3X/M3	Clutch plate (fitted cork inserts) .. .. .	2 or 3	..
3365-36	84Q/M1	Corks (fitted per plate) .. .. .	—	..
3370-36	6X/M3	Clutch plain plate .. .. .	3 or 4	..
3380-36	307X	Chain wheel ( $\frac{1}{2}$ in. x .305 in. x 44T) and centre .. .. .	1	..
3388-41	313X/M2	Chain wheel centre tab washer .. .. .	1	..
3391-36	312X	Chain wheel centre bolt .. .. .	6	..
3394-36	311X	Thrust washer (plain) .. .. .	1	..
3397-36	318X	Thrust washer (keyed) .. .. .	1	..
3400-41	314X/M2	Spring plate and thrust cup for operating rod .. .. .	1	..
3402-36	300X	Thrust cup only .. .. .	1	..
3405-36	21X/M2	Clutch spring (for cork inserts) .. .. .	5	..
3410-31	22X/M1	Clutch spring cup .. .. .	5	..
3413-31	23X/M1	Clutch spring adjusting nut .. .. .	5	..
3418-36	308X/M1	Clutch spring stud (three-plate) .. .. .	5	..
3420-37	316X/M2	Needle roller cage (staggered rollers) .. .. .	1	..
3423-36	317X	Needle rollers .. .. . per set of 12	12	..
3430-36	28X	Clutch operating rod, BA box .. .. .	1	..
6520-49	E9/657A	Rubber cover on clutch arm .. .. .	1	..

### FOOT GEAR CONTROL MECHANISM 1952 BA GEARBOXES

3500-35		Complete enclosed foot change, BA box only	1	..
3505-50	CO92/M24	Foot control lever .. .. .	1	..
3508-33	CO82/M2	Foot control lever rubber .. .. .	1	..
3510-48	CO54/M14	Foot control lever bush .. .. .	1	..
3512-33	CO95	Foot control lever bush bolt .. .. .	1	..
3514-33	CO63/M3	Foot control lever bolt .. .. .	1	..
3516-33	10X	Foot control lever bolt nut ( $\frac{1}{2}$ in. x 26 T.P.I.)	1	..
3520-33	CO49/M5	Spring box .. .. .	1	..
3521-33	CO56/M4	Cover for spring box .. .. .	1	..
3522-33	CO51/M6	Ratchet .. .. .	1	..
3524-33	CO52/M5	Pawl .. .. .	1	..

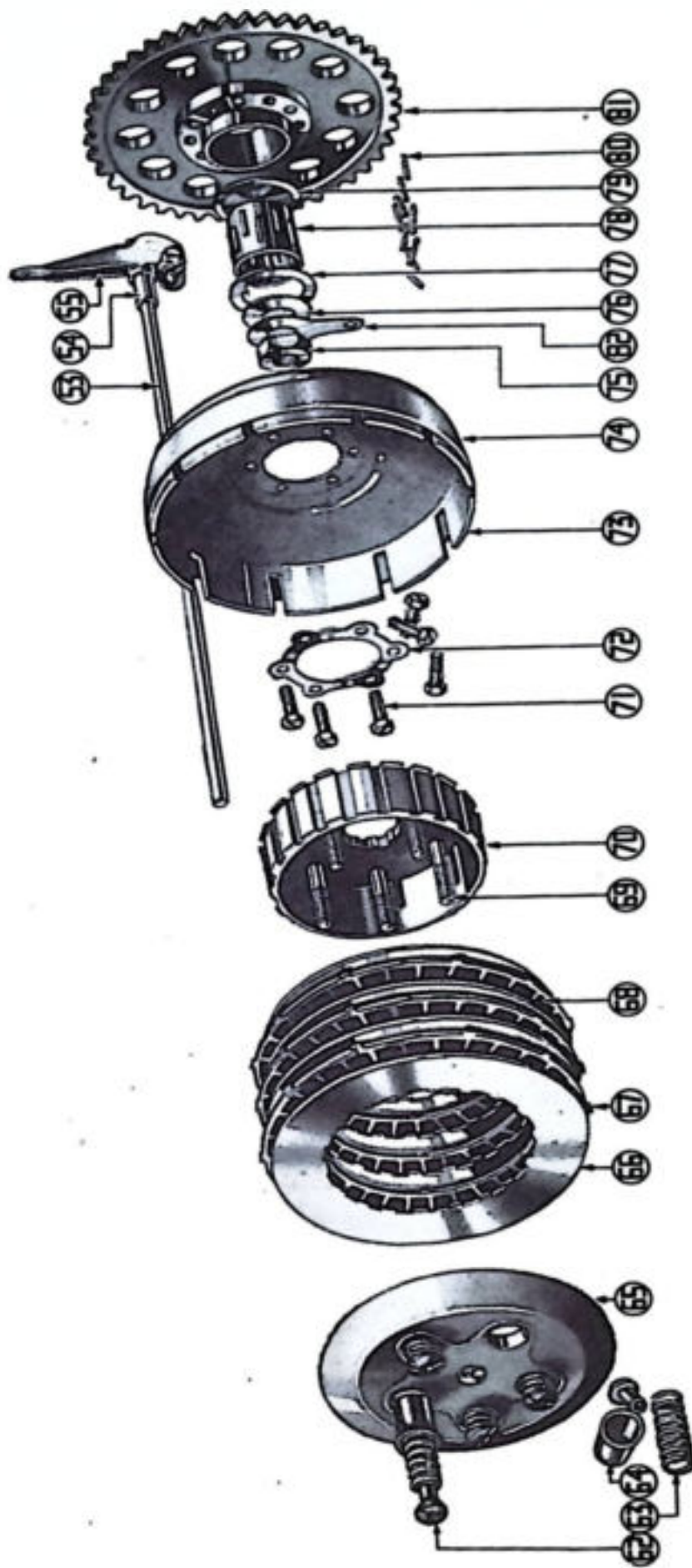


Order by SPARES No.	Do not use PART No.	DESCRIPTION OF PART	No. per Set	PRICE EACH £ s. d.
3526-33	CO53/M4	Control quadrant .. .. .	1	..
3529-48	CO94/M2	Ratchet sleeve .. .. .	1	..
3530-48	27/7/2	Felt washer .. .. .	1	..
3532-33	CO58	Pawl spring plate (small) .. .. .	1	..
3535-33	CO59	Main spring plate (large) .. .. .	1	..
3540-33	CO62	Pawl operating peg .. .. .	2	..
3542-33	CO66/M1	Main spring .. .. .	2	..
3544-33	CO67/M1	Pawl spring .. .. .	2	..
3548-48	CO90/M3	Sector spindle .. .. .	1	..
3551-33	CO91	Sector spindle bush .. .. .	1	..
3557-37	161X/M3	Gear sector .. .. .	1	..
	162X/M4	Sector quadrant } supplied assembled ..		
3560-33	CO96/M1	Sector quadrant rivet ( $\frac{1}{16}$ in. $\times$ $\frac{3}{16}$ in.) ..	1	..
3564-48	CO/105	Sector spindle screw .. .. .	1	..
3570-48	CO97/M2	Neutral indicator (movable) .. .. .	1	..
3571-50	CO97/1	Kick-starter case cover indicator .. .. .	1	..

Order by SPARES No.	DESCRIPTION OF PART	No. of Item on Exploded View
<b>See exploded view of Clutch</b>		
3430-36	Clutch operating rod .. .. .	53
3050-35	Clutch operating plunger .. .. .	54
3042-35	Clutch operating lever .. .. .	55
3413-31	Clutch spring adjusting nut .. .. .	62
3405-36	Clutch spring .. .. .	63
3410-31	Clutch spring cup .. .. .	64
3400-41	Clutch spring plate .. .. .	65
3370-36	Clutch plain plate .. .. .	66
3360-36	Clutch plate (fitted cork inserts) .. .. .	67
3365-36	Cork inserts .. .. .	68
3418-36	Clutch spring stud .. .. .	69
3355-48	Clutch centre .. .. .	70
3391-36	Chain wheel centre bolt .. .. .	71
3388-41	Chain wheel centre tab washer .. .. .	72
3350-36	Clutch case .. .. .	73
	Clutch case band .. .. .	74
3068-50	Mainshaft nut (clutch end) .. .. .	75
	Mainshaft nut plain washer .. .. .	76
3397-36	Thrust washer (keyed) .. .. .	77
3420-37	Needle roller cage .. .. .	78
3394-36	Thrust washer (plain) .. .. .	79
3423-36	Needle rollers .. .. .	80
3380-36	Clutch chain wheel .. .. .	81
3070-50	Mainshaft nut lock washer .. .. .	82

See preceding pages for prices of clutch parts

EXPLODED VIEW OF CLUTCH PARTS, BA GEARBOX





Order by  
SPARES  
No.

DESCRIPTION OF PART

No. of Item  
on Exploded  
View

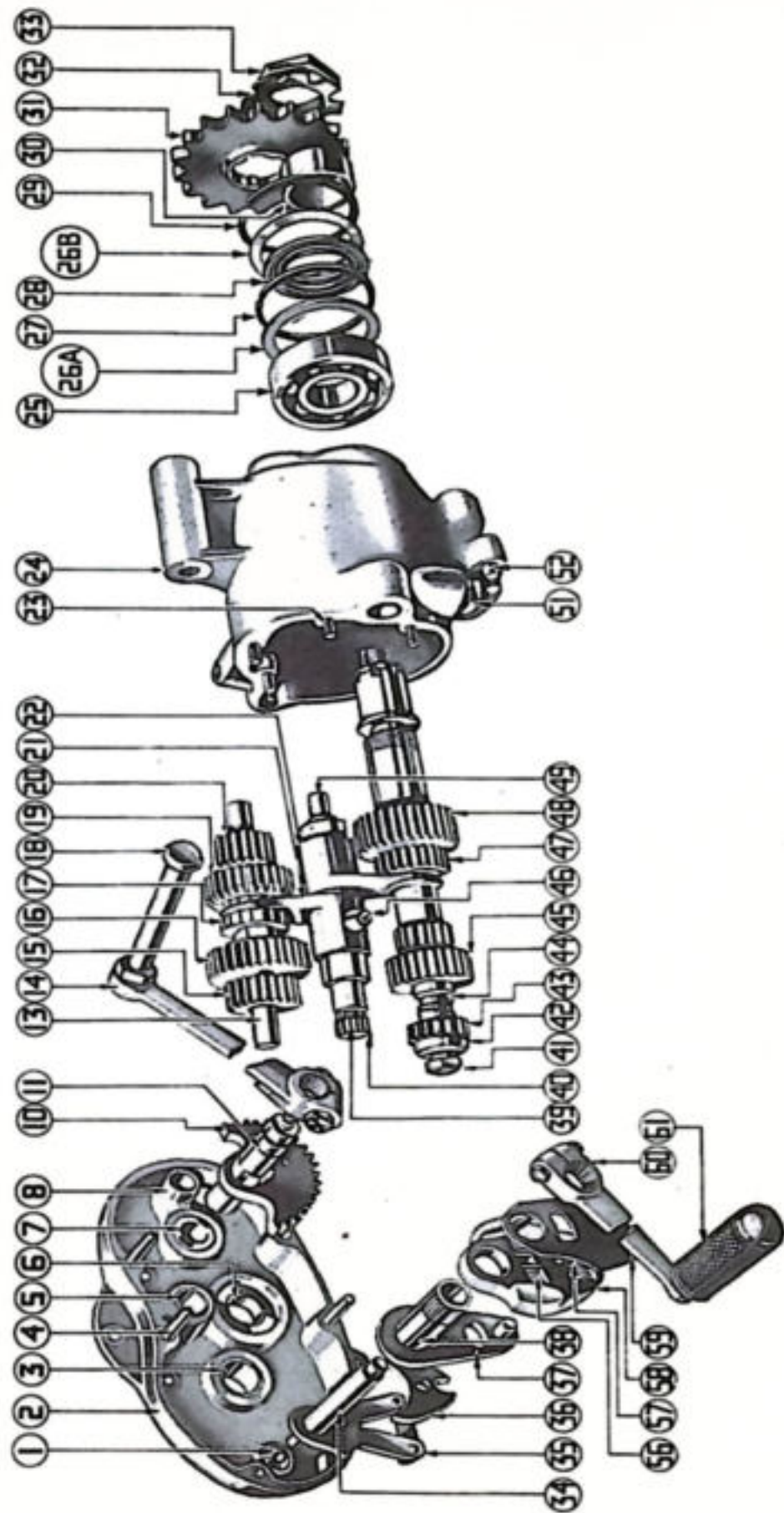
See exploded view of Gearbox

3551-33	Sector spindle bush	1
3012-36	K.S. case, gearbox cover (inner)	2
3238-31	Camshaft bush (K.S. case)	3
3035-33	Gearbox cover stud	4
3145-31	Layshaft spindle bush	5
3175-31	Mainshaft ball bearing	6
3333-31	K.S. spindle bush (inner)	7
3338-31	K.S. stop peg rubber	8
3325-31	K.S. quadrant	10
3320-48	K.S. spindle	11
3142-50	Layshaft spindle	13
3300-36	K.S. lever	14
3120-34	Third gear (layshaft)	15
3130-48	First gear (layshaft)	16
3140-34	Layshaft clutch	17
3305-31	K.S. lever pedal	18
3125-48	Second gear (layshaft)	19
3135-34	Layshaft small gear	20
3214-31	Operating fork (layshaft)	21
3210-31	Operating fork (mainshaft)	22
3004-31	Gearbox stud	23
3000-35	Gearbox shell	24
3095-31	Driving gear ball bearing	25
3098C-48	Gland washer	26A
	Gland washer	26B
3101B-48	Locating ring (split)	27
3099B-48	Bearing oil and grease seal	28
3102-31	Bearing retaining ring	29
3112-35	Sprocket spacing collar	30
3105-31	Driving sprocket	31
	Lock washer	32
3089-31	Driving gear nut	33
3548-48	Foot change sector spindle	34
3557-37	Gear sector, quadrant, and ratchet assembly	35
3524-33	Pawl	36
3526-33	Control quadrant	37
3529-48	Ratchet sleeve	38
3241-31	Camshaft rollers	39
	Selector pinion on camshaft	40
3199-31	K.S. ratchet nut	41
3202-31	K.S. driving ratchet	42
3190-31	K.S. ratchet pinion	43
3196-31	K.S. ratchet spring	44
3115-34	Third gear (mainshaft)	45
3220-31	Operating peg (camshaft)	46
3075-34	Mainshaft sliding gear	47
3080-34	Driving gear	48
3230-31	Camshaft	49
3342-37	Filler plug	51
3340-31	Gearbox adjustment peg	52
3542-33	Main spring (foot change)	56
3544-33	Pawl spring (foot change)	57
3520-33	Spring box (foot change)	58
3521-33	Cover plate (foot change)	59
3505-50	Foot control lever	60
3508-33	Lever rubber	61

See preceding pages for prices of gearbox parts

## EXPLODED VIEW SHOWING MAJOR GEARBOX PARTS

NOTE: In order to obtain, during photography, a better view of this assembly, this plate was drawn upside down.





Order by  
SPARES  
No.

Do not use  
PART No.

DESCRIPTION OF PART

No.  
per Set

PRICE  
EACH  
£ s. d.

### 1952 GB6 GEARBOX

#### Fitted three-plate Clutch Assembly

Makers of Gearbox: Messrs. BURMAN & SONS LTD.,  
Wychall Lane, Kings Norton, Birmingham 30

#### Fitted to Model KH

3600-52	G-1-5	Gearbox shell only .. .. .	1	..
3602-52	G-5-7	Gearbox joint washer .. .. .	1	..
3610-52	G-2-4	Kick-starter case .. .. .	1	..
3611-52	G-5-8	Kick-starter case joint washer .. .. .	1	..
3620-52	G-3-4	Kick-starter case cover .. .. .	1	..
3623-52	28-12-19	Kick-starter case cover locating piece .. .. .	1	..
3626-52	11-7-10	Mainshaft nut (K.S. end) .. .. .	1	..
3176-33	38-7-1	Mainshaft bearing .. .. .	1	..
3628-52	31-11-1	Bearing retaining ring for mainshaft bearing	1	..
3630-52	G-18-5	Mainshaft .. .. .	1	..
3631-52	G-31-5	Driving sprocket ( $\frac{1}{2}$ in. $\times$ $\frac{3}{8}$ in. $\times$ 19T)	1	..
3632-52	28-12-16	Sprocket spacing collar .. .. .	1	..
3095-33	38-11-1	Driving gear bearing .. .. .	1	..
3634-52	31-12-2	Bearing retaining ring (split) .. .. .	1	..
3635-52	27-12-2	Driving gear oil seal .. .. .	1	..
3636-52	39-12-1	Driving gear oil seal housing .. .. .	1	..
3089-33	11-11-1	Driving gear nut .. .. .	1	..
3091-33	12-11-1	Driving gear nut lock washer .. .. .	1	..
3637-52	19-8-13	Driving gear bush .. .. .	per set of 2	..
3638-52	G-6-2	Driving gear with bush, 28T .. .. .	1	..
3641-52	G-12-2	First gear (mainshaft), 17T .. .. .	1	..
3642-52	G-10-2	Second gear (mainshaft), 22T .. .. .	1	..
3643-52	G-8-1	Third gear (mainshaft), 25T .. .. .	1	..
3644-52	19-8-15	Third gear (mainshaft) bush .. .. .	1	..
3648-52	G-13-2	First gear (layshaft), 29T .. .. .	1	..
3649-52	G-11-2	Second gear (layshaft), 24T .. .. .	1	..
3650-52	19-8-15	Second gear (layshaft) bush .. .. .	1	..
3652-52	G-9-1	Third gear (layshaft), 21T .. .. .	1	..
3653-52	19-8-14	First gear (layshaft) bush .. .. .	1	..
3656-52	G-7-2	Layshaft pinion, 18T .. .. .	1	..
3657-52	G-19-4	Layshaft .. .. .	1	..
3658-52	20-7-1	Layshaft bush (clutch end) .. .. .	1	..
3659-52	20-7-3	Layshaft bush (K.S. end) .. .. .	1	..
3660-52	35-1-2	Layshaft bush dowel .. .. .	2	..
3661-52	12-8-8	Layshaft cover washer .. .. .	1	..
3663-52	G-55-1	Speedometer spindle .. .. .	1	..
3664-52	19-3-1	Speedometer spindle bush .. .. .	1	..
3665-52	12-3-6	Speedometer thrust washer .. .. .	1	..
3160-31	40-1-1	Speedometer location button .. .. .	1	..
3666-52	27-6-2	Speedometer spindle bush oil seal .. .. .	1	..
3164-31	26-3-1	Speedometer spindle bush grub screw .. .. .	1	..
3342-31	247X	Gearbox filler plug .. .. .	1	..
3669-52	21-7-5	Gearbox drain plug .. .. .	1	..
3670-52	12-7-6	Gearbox drain plug washer .. .. .	1	..
3671-52	35-3-2	Gearbox and K.S. case dowel .. .. .	1	..
3676-52	14-2-3	Screw (K.S. cover to K.S. case) .. .. .	2	..
3677-52	14-2-4	Screw (K.S. case to gearbox) .. .. .	2	..
3678-52	14-2-5	Screw (K.S. case to gearbox and K.S. cover to K.S. case) .. .. .	4	..
3679-52	14-2-6	Screw (K.S. cover to gearbox) .. .. .	2	..
3682-52	35-3-5	Gearbox adjuster pivot pin .. .. .	1	..
3342-52	21-5-1	Oil level plug .. .. .	1	..
3687-52	12-5-4	Oil level plug washer .. .. .	1	..



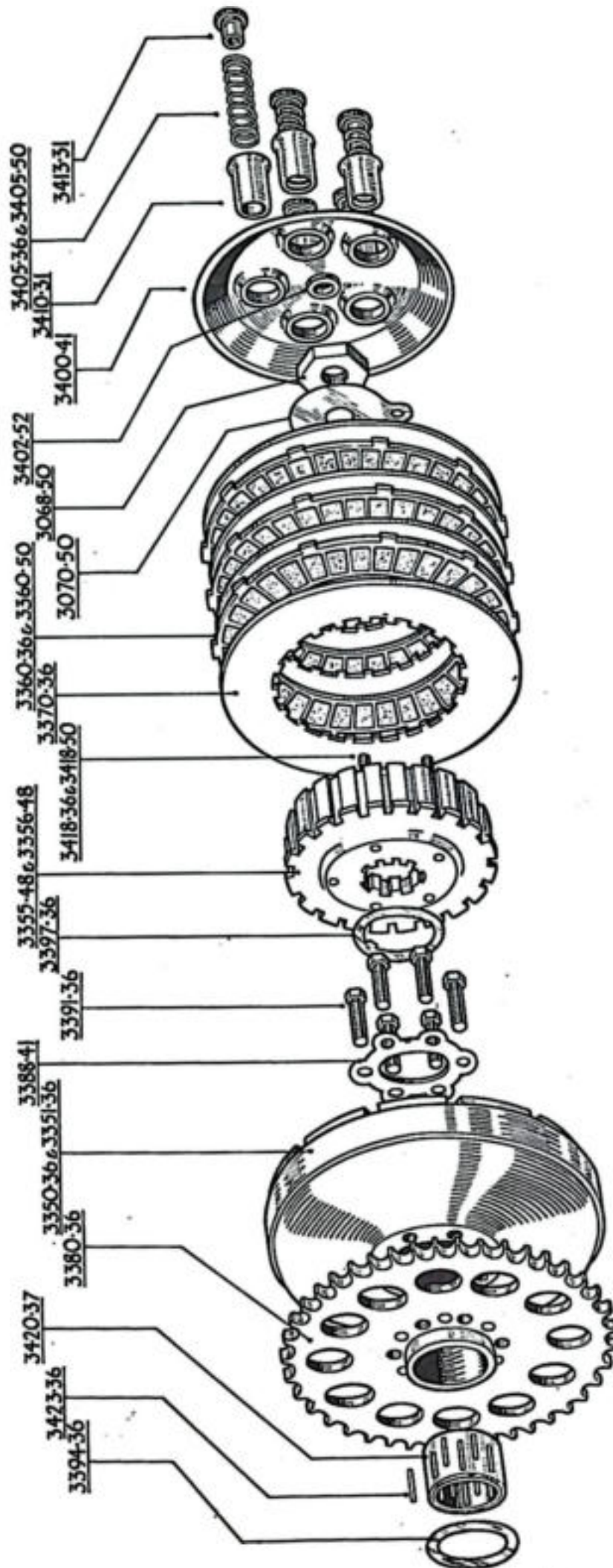


Order by SPARES No.	Do not use PART No.	DESCRIPTION OF PART	No. per Set	PRICE EACH £ s. d.
3068-50	11-7-1	Mainshaft nut (clutch end) .. ..	1	..
3070-50	12-7-9	Mainshaft nut lock washer (clutch end) ..	1	..
3675-52	35-1-1	Dowel (K.S. case cover locating piece) ..	2	..
3680-52	G-21-2	Driving ratchet .. ..	1	..
3191-33	G-20-1	Ratchet pinion .. ..	1	..
3196-33	36-8-2	Ratchet pinion spring .. ..	1	..
3683-52	19-7-3	Ratchet pinion bush .. ..	1	..
3325-31	G-22-1	Kick-starter quadrant .. ..	1	..
3686-52	G-23-1	Kick-starter quadrant spindle .. ..	1	..
3688-52	20-7-2	Kick-starter spindle bush (inner) .. ..	1	..
3689-52	20-8-14	Kick-starter spindle bush (outer) .. ..	1	..
3335-48	36-8-1	Kick-starter spring .. ..	1	..
3690-52	35-2-1	Kick-starter spring pin .. ..	1	..
3696-52	G-43-7	Kick-starter lever .. ..	1	..
3305-31	G-45-1	Kick-starter lever pedal .. ..	1	..
3310-37	10-4-1	Kick-starter lever pinch bolt .. ..	1	..
3698-52	11-4-1	Kick-starter lever pinch bolt nut .. ..	1	..
3699-52	27-7-5	Kick-starter spindle oil seal .. ..	1	..
3701-52	12-4-1	Kick-starter lever bolt washer .. ..	1	..
3705-52		Cam assembly .. ..	1	..
3707-52	G-42-1	Cam plunger .. ..	1	..
3709-52	36-2-1	Cam plunger spring .. ..	1	..
3711-52	20-4-1	Cam spindle bush (inner) .. ..	1	..
3713-52	11-2-3	Cam spindle nut, retaining indicator ..	1	..
3716-52	G-25-2	Quadrant and drive peg for control spindle	1	..
3718-52	G-24-2	Quadrant spindle .. ..	1	..
3720-52	20-3-1	Quadrant spindle bush (inner) .. ..	1	..
3723-52	20-8-9	Quadrant spindle bush (outer) .. ..	1	..
3725-52	12-5-2	Quadrant spindle cover washer .. ..	1	..
3728-52	36-11-1	Main return spring for control quadrant..	1	..
3733-52	G-29-2	Selector fork .. ..	2	..
3736-52	G-30-2	Selector fork spindle .. ..	2	..
3738-52	12-7-4	Selector spindle cover washer .. ..	2	..
3739-52	35-3-1	Selector spindle peg .. ..	4	..
3741-52	16-1-4	Selector spindle cotter pin .. ..	4	..
3743-52	27-7-4	Selector spindle oil seal .. ..	1	..
3746-52	36-8-3	Return spring (secondary) (coil) .. ..	1	..
3750-52	G-44-6	Foot change lever .. ..	1	..
3514-33	10-2-2	Foot change lever bolt .. ..	1	..
3516-33	11-2-1	Foot change lever bolt nut .. ..	1	..
3752-52	12-2-1	Foot change lever bolt nut washer .. ..	1	..
3508-33	G-48-1	Foot change lever rubber .. ..	1	..
3756-52	G-47-1	Foot change indicator .. ..	1	..
3758-52	27-4-2	Foot change indicator oil seal .. ..	1	..
3760-52	20-4-2	Cam spindle bush (outer) .. ..	1	..
3763-52	36-4-1	Indicator oil seal spring .. ..	1	..
3766-52	G-35-5	Mainshaft sleeve .. ..	1	..
3770-52C	G-33-2C	Clutch operating lever .. ..	1	..
3783-52	11-3-2	Clutch operating lever adjusting sleeve ..	1	..
3785-52	32-7-1	Adjusting sleeve cap .. ..	1	..
3788-52	14-2-9	Adjusting sleeve cap screw .. ..	2	..
3790-52	G-54-2	Clutch operating plunger .. ..	1	..
3794-52	17-3-2	Clutch operating plunger ball, $\frac{1}{8}$ in. ..	1	..

### CLUTCH PARTS

3350-36	G-36-9	Clutch case (three-plate) .. ..	1	..
3355-48	G-37-8	Clutch centre (three-plate) .. ..	1	..
3360-36	G-40-7	Clutch cork plate (fitted cork inserts) ..	3	..
3365-36	84Q/M1	Clutch corks .. .. per dozen		

EXPLODED VIEW OF CLUTCH (TYPE GB GEARBOX)



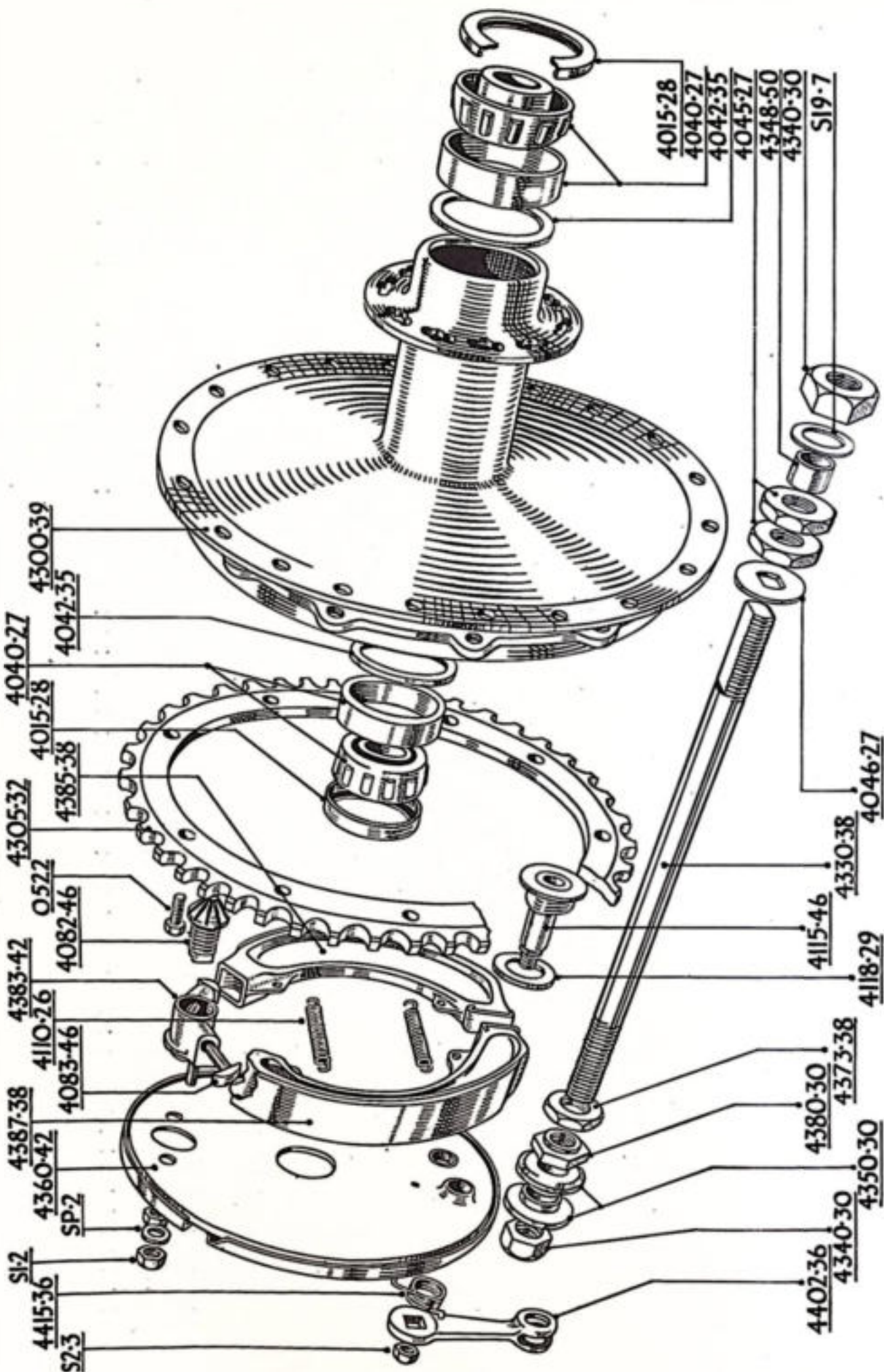


Order by SPARES No.	Do not use PART No.	DESCRIPTION OF PART	No. per Set	PRICE EACH £ s. d.
3370-36	G-39-5	Clutch plain plate .. ..	4	..
3380-36	G-34-5	Chain wheel ( $\frac{1}{2}$ in. $\times$ .305 in. $\times$ 44T)	1	..
3388-41	12-12-6	Chain wheel set pin lock washer ..	1	..
3391-36	10-2-4	Chain wheel set pin .. ..	6	..
3394-36	12-11-7	Thrust washer (inner) .. ..	1	..
3397-36	12-11-8	Thrust washer (outer) .. ..	1	..
3400-41	G-38-3	Clutch spring plate .. ..	1	..
3402-52	40-7-2	Clutch spring plate thrust cup ..	1	..
3405-36	36-6-2	Clutch spring .. ..	5	..
3410-31	G-42-2	Clutch spring cup .. ..	5	..
3413-31	11-2-2	Clutch spring adjusting nut .. ..	5	..
3417-36		Clutch spring stud .. ..	5	..
3420-37	G-53-1	Roller cage .. ..	1	..
3423-36	18-1-1	Needle rollers .. .. per set of 12	12	..
3430-52	37-3-6	Clutch operating rod .. ..	1	..

### FIXED REAR WHEEL AND HUB—RIGID FRAME

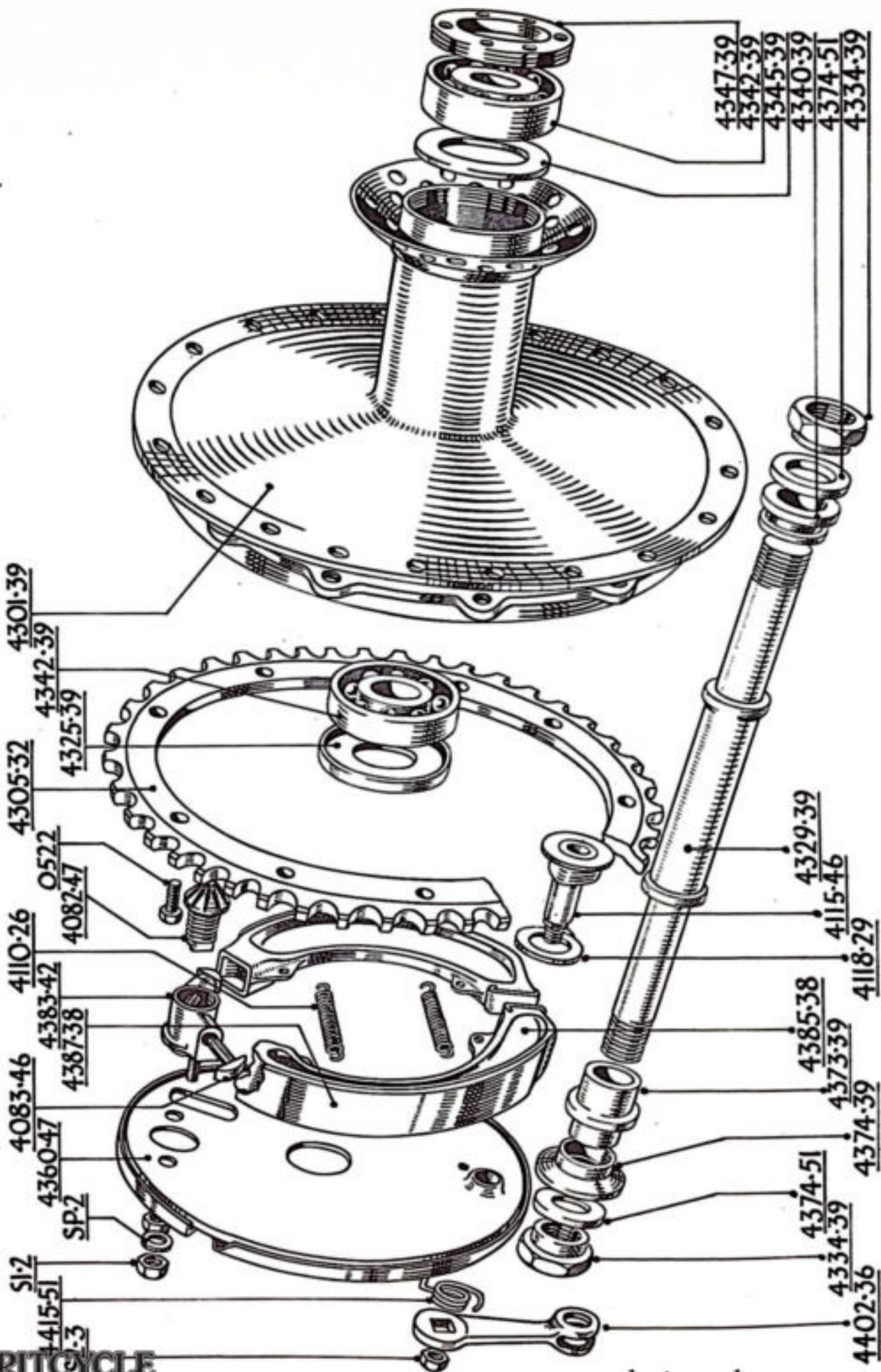
4300-39	C15/77AC	Hub, brake drum, and spoke flange only	1	..
4300C-51		Wheel c/w bearings, spindle, brake parts and sprocket, less tyre. State finish required .. ..	1	..
4302-51		Hub, rim and spokes only, built up. State finish required .. ..	1	..
4305-32	C15/22	Chain sprocket, 47T .. ..	1	..
0522	C13/84	Chain sprocket bolt .. ..	10	..
4319-29	C13/85	Chain sprocket bolt tab washer .. ..	10	..
4015-28	C14/27	Grease retainer (pressed in hub, outside bearing) .. ..	2	..
4330-38	C15/109	Rear wheel spindle .. ..	1	..
4040-27	C13/41	Taper roller bearing complete .. ..	2	..
4042-35	C15/67	Taper roller bearing abutment washer inside hub tube .. ..	2	..
4045-27	C13/32	Taper roller bearing adjusting and locking nut .. ..	2	..
4046-27	C13/33	Lock washer for spindle (fits between cone and inner locknut) .. ..	1	..
4340-30	C13/118	Wheel spindle nut .. ..	2	..
4348-50	C15/199	Spindle distance piece (cone adjusting side)	1	..
4350-30	C13/114	Fork end spindle bush (brake drum side)	2	..
4360-42	C15/171C	Brake plate with fixed fittings .. ..	1	..
4373-38	C15/107	Brake plate abutment nut (inside plate) ..	1	..
4375-36	E9/582	Brake plate anchor bar .. ..	1	..
0739	E9/608	Bolt c/w nut for rear fixing lower chain guard .. ..	1	..
4380-30	C13/115	Brake plate locking nut .. ..	1	..
4082-46	C20/32	Brake adjusting wedge .. ..	1	..
4083-46	C20/31	Wedge spindle .. ..	2	..
4383-42	C15/23B	Wedge holder .. ..	1	..
SP/2		$\frac{1}{2}$ in. diameter shakeproof washer .. ..	2	..
S1/2		Nut for wedge holder .. ..	2	..
4385-38	C15/97	Brake shoe half c/w lining .. ..	2	..
4387-38	C15/104	Brake lining ( $6\frac{1}{2}$ in. $\times$ $1\frac{1}{2}$ in. $\times$ $\frac{1}{8}$ in.), c/w rivets .. .. per pair	12	..
4108-26	C13/24	Brake lining rivets .. .. per set of 12	12	..
4110-26	C13/5	Brake shoe return spring .. ..	2	..
4115-46	C20/11	Brake cam .. ..	1	..
4118-29	C13/66	Brake cam washer (loose) .. ..	2	..
4402-36	C15/83	Brake cam lever .. ..	1	..
4415-36	C15/91	Brake cam lever return spring .. ..	1	..

FIXED REAR WHEEL HUB ASSEMBLY (RIGID FRAME)





FIXED REAR WHEEL HUB ASSEMBLY (SPRING FRAME)



Order by SPARES No.	Do not use PART No.	DESCRIPTION OF PART	No. per Set	PRICE EACH £ s. d.
003		Grease nipple (angle) .. .. .	1 ..	
4502K-51	WM2-19	Rim for 26 in. x 3.5 in. tyre. 40-hole, red and chrome .. .. .	1 ..	
4519-35		Nipple for 10G spoke .. .. .	40 ..	
4545-51		Set of spokes with nipples for WM2-19 ..	40 ..	
4546-51	C15/220	Spoke for WM2-19 (brake side), 6½ in. x 10G butted 90° .. .. .	20	}
4547-51	C15/219	Spoke for WM2-19 (flange side), 8½ in. x 10G 105° plain .. .. .	20	
4349-50	C15/206-7	Adjusting washer (L/S), 21G, 27G as reqd.	- ..	
4349-51	C15/208	Adjusting washer (R/S), 21G as reqd.	- ..	
4046-27	C13/33	Adjusting washer (R/S), 16G as reqd.	- ..	
4349D-51	C15/209	Adjusting washer (R/S), 13G as reqd.	- ..	

### FIXED REAR WHEEL AND HUB—SPRING FRAME

4301-48	C15/129AC	Hub, brake drum and spoke flange only	1 ..	
4303-48		Hub assembly, 4301-48 with rim and spokes, built up. (State finish required)	1 ..	
4301C-51		Wheel c/w bearings, spindle, brake parts and sprocket, less tyre. (State finish required) .. .. .	1 ..	
4305-32	C15/22	Chain sprocket, 47T .. .. .	1 ..	
0522	C13/84	Chain sprocket bolt .. .. .	10 ..	
4319-29	C13/85	Chain sprocket bolt tab washer .. .. .	10 ..	
4325-39	C15/122	Grease retainer (pressed in hub, outside bearing) .. .. .	1 ..	
4329-39	C15/114	Wheel spindle .. .. .	1 ..	
4334-39	DW/41	Wheel spindle nut .. .. .	2 ..	
4340-39	C15/123	Fork end distance piece, R/S .. .. .	1 ..	
4342-39	MS/8	Ball bearing .. .. .	2 ..	
4345-39	C15/128	Ball bearing abutment washer inside hub tube, R/S .. .. .	1 ..	
4347-39	DW/7	Ball bearing locking nut, R/S .. .. .	1 ..	
4360-47	DW/92C	Brake plate .. .. .	1 ..	
4373-39	C15/117	Brake plate distance piece (inside plate) ..	1 ..	
4374-39	DW/38	Brake plate distance piece (outside plate)	1 ..	
4374-51	DW/113	Outside distance collar .. .. .	2 ..	
4082-47	DW/91	Brake fulcrum adjusting wedge (screws in plate) .. .. .	1 ..	
4083-46	C20/31	Brake fulcrum spindle .. .. .	2 ..	
4383-42	C15/23B	Brake wedge holder .. .. .	1 ..	
S1-2		Nut securing holder .. .. .	2 ..	
SP-2		Shakeproof washer .. .. .	2 ..	
4385-38	C15/97	Brake shoe half c/w lining .. .. .	2 ..	
4387-38	C15/104	Brake lining (6½ in. x 1½ in. x ⅜ in.), c/w rivets .. .. .	per pair ..	
4108-26	C13/24	Brake lining rivets .. .. .	per set of 12 ..	
4110-26	C13/5	Brake shoe return spring .. .. .	2 ..	
4115-46	C20/11	Brake cam .. .. .	1 ..	
4118-29	C13/66	Brake cam washer (loose) .. .. .	1 ..	
4402-36	C15/83	Brake cam lever .. .. .	1 ..	
4415-51	C15/214	Brake cam lever return spring .. .. .	1 ..	
4502-51K		Rim WM2-19, 40-hole, red and chrome ..	1 ..	
4519-35		Nipple for 10G spoke .. .. .	40 ..	
4545-39		Set of spokes and nipples for WM2-19 rim	40 ..	
4546-39	C15/220	Spoke for WM2-19 (brake side), 6½ in. x 8-10G, butted 90° .. .. .	20	}
4547-39	C15/223	Spoke for WM2-19 (flange side), 9½ in. x 10G 105° .. .. .	20	



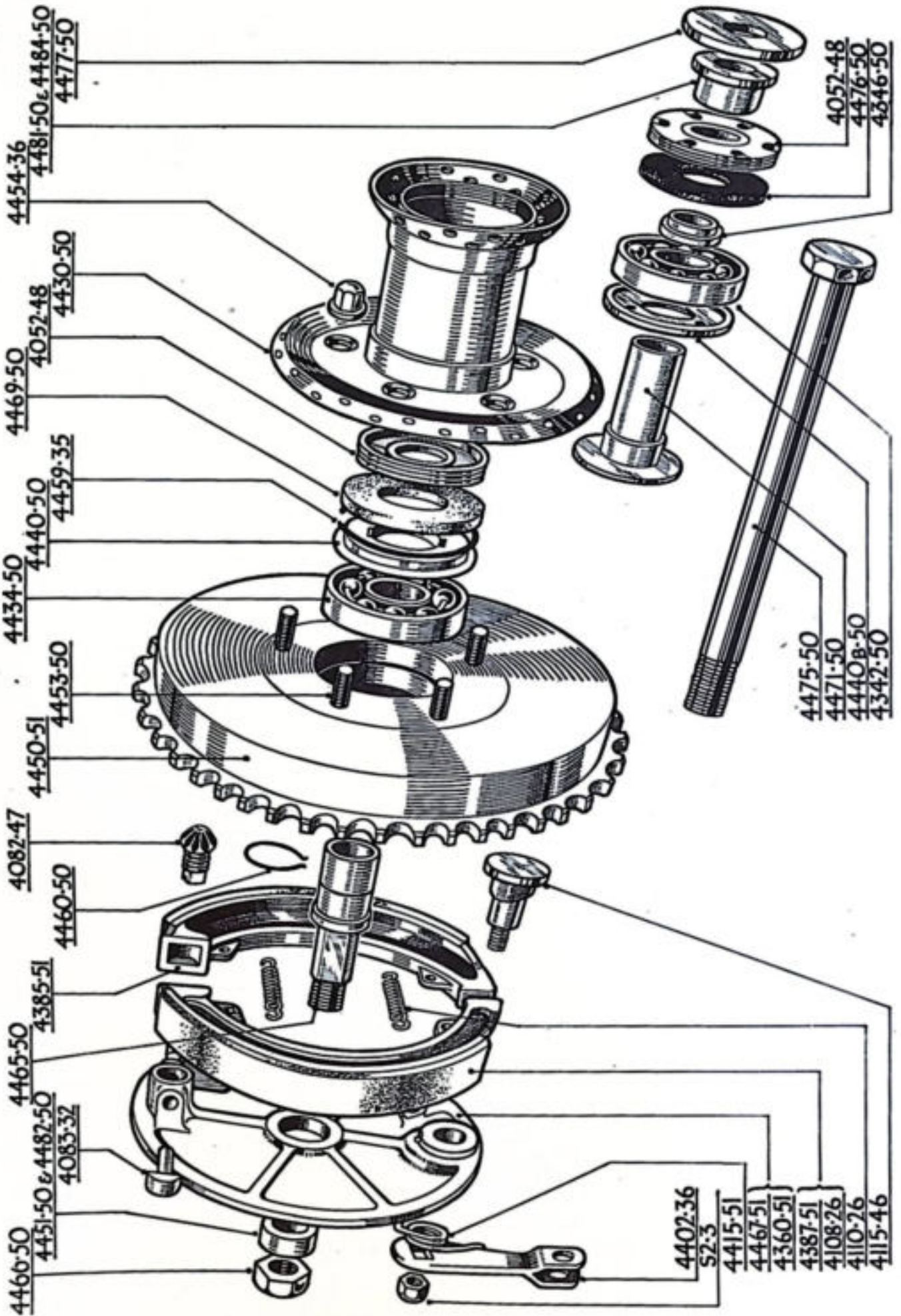
Order by SPARES No.	Do not use PART No.	DESCRIPTION OF PART	No. per Set	PRICE EACH £ s. d.
<b>DETACHABLE REAR WHEEL</b>				
4429-51		Detachable rear wheel only, comprising hub, bearing, locking ring and grease retainer, etc., rim and spokes built up. (State finish required) .. .. .	1	..
4429-51C		Detachable wheel c/w brake parts and all fittings, less tyre. (State if for rigid or spring frame and finish required) ..	1	..
4430-50	DW/116	Hub assembly only, less brake drum ..	1	..
4342-50		Ball bearing for hub, R/S, $\frac{3}{8}$ in. $\times$ 2 in. $\times$ $\frac{1\frac{1}{2}}$ in.	1	..
4434-50		Ball bearing, L/S, 1 in. $\times$ 2 $\frac{1}{4}$ in. $\times$ $\frac{1}{2}$ in.	1	..
4346-50	DW/104	Collar for ball race, R/S .. .. .	1	..
4440-50	DW/100	Grease retainer (large) .. .. .	1	..
4440B-50	DW/101	Grease retainer (small) .. .. .	1	..
4052-48	C20/18	Locking ring .. .. .	2	..
4471-50	DW/96C	Distance tube and retaining sleeve in hub	1	..
4450-51	C15/211	Brake drum and chain wheel c/w studs ..	1	..
4453-50	C15/93A	Brake drum drive stud .. .. .	5	..
4454-36	C15/92	Brake drum drive stud nut .. .. .	5	..
4459-35	A7/500	Circlip (large), brake drum side .. ..	1	..
4460-50	DW/103	Circlip for fixed spindle .. .. .	1	..
4465-50	DW/102	Fixed spindle .. .. .	1	..
4466-50	DW/109	Fixed spindle locknut .. .. .	1	..
4469-50	DW/108	Cork, grease retaining washer .. .. .	1	..
4476-50	DW/112	Grease retaining washer (rubber), next locking ring .. .. .	1	..
4475-50	DW/98	Spindle bolt .. .. .	1	..
S4477-50	DW/106	Spindle bolt distance collar, next head and bolt locknut .. .. .	1	..
S4478-51	DW/121	Distance collar, L/S .. .. .	1	..
S4481-50	DW/105	Butted slip collar, R/S .. .. .	1	..
R4360-51	C15/215	Brake plate .. .. .	1	..
S4467-51	C15/212	Brake plate .. .. .	1	..
4115-46	C20/11	Brake cam .. .. .	1	..
4118-29	C13/66	Brake cam washer .. .. .	2	..
4402-36	C15/83	Brake cam lever .. .. .	1	..
4415-51	C15/214	Spring for brake lever .. .. .	1	..
4082-47	DW/91	Brake fulcrum adjusting wedge .. .. .	1	..
4083-32	C15/24	Wedge spindle .. .. .	2	..
4385-51	C15/213	Brake shoe half c/w lining .. .. .	2	..
4387-51	C15/216	Brake lining, c/w rivets .. .. .	per pair	..
4108-26	C13/24	Brake lining rivet .. .. .	per set of 16	..
4110-26	C13/5	Brake shoe return spring .. .. .	2	..
4502K-50	WM2-19	Rim (3.5 in. $\times$ 19 in.), 40-hole, red and chrome .. .. .	1	..
4502-50B	WM2-19	Rim (3.5 in. $\times$ 19 in.), 40-hole, black and chrome .. .. .	1	..
4546-50	DW/117	Spokes (brake side), 7 in. $\times$ 8-10G, butted, 135° c/w nipples .. .. .	20	..
4547-50	DW/118	Spokes (flange side), 8 $\frac{1}{2}$ in. $\times$ 10G, 135° c/w nipples .. .. .	20	..
4548-50		Set of spokes and nipples for detachable rear wheel .. .. .	40	..
R4482-50	DW/114	Spindle distance collar, L/S .. .. .	2	..
R4484-50	DW/115	Butted slip collar .. .. .	1	..
R4451-50	DW/113	Distance collar, R/S .. .. .	1	..
R0737A	C15/218	Bolt for brake anchorage .. .. .	1	..
		Nut for R0737A ( $\frac{3}{8}$ in. B.S.F.) .. .. .	1	..

(R) For rigid frame

(S) For spring frame

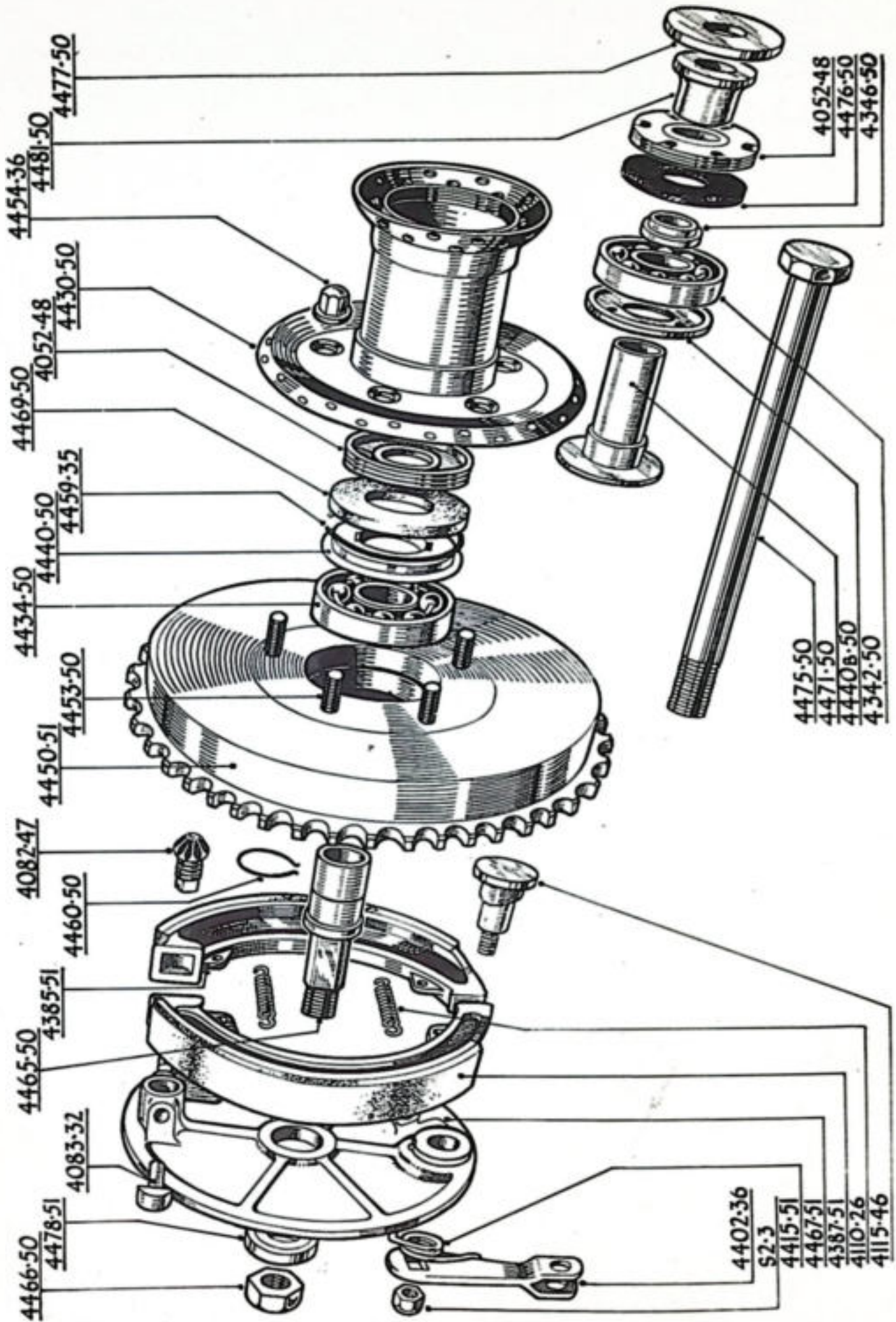


DETACHABLE REAR HUB ASSEMBLY (RIGID FRAME)





DETACHABLE REAR HUB ASSEMBLY (SPRING FRAME)



Order by SPARES No.	Do not use PART No.	DESCRIPTION OF PART	No. per Set	PRICE EACH £ s. d.
<b>TELESCOPIC FORK ASSEMBLY AND ALL FITTINGS</b>				
Tele/51		Fork assembly complete .. ..	1	..
H2/51	H/107	Handlebar bracket .. ..	1	..
H5/49	H/94	Fork shaft .. ..	2	..
H8/46		Shaft head nut .. ..	2	..
H9/46		Plug (for shaft, bottom) .. ..	2	..
H10/46		Stop pin .. ..	2	..
H14/46		Oil seal .. ..	2	..
H15/46		Circlip .. ..	2	..
H16/49	H/16A	Top bearing .. ..	2	..
H17/49	H/17A	Lower bearing .. ..	2	..
H18/49	H/90	Plug (for fork shaft, top) .. ..	2	..
H25/46		Top cover and headlamp bracket, R/S ..	1	..
H52/46		Top cover and headlamp bracket, L/S ..	1	..
081	E8/492	Screw for bottom cover plate .. ..	6	..
H51/51	H/108	Rubber washer .. ..	2	..
H27/46		Spring (solo), yellow spot, overall length 10 $\frac{3}{4}$ in. to 10 $\frac{1}{2}$ in. .. ..	2	..
H55/46		Spring (sidecar), red spot, overall length 9 $\frac{3}{4}$ in. to 9 $\frac{1}{2}$ in. .. ..	2	..
H30/46		Bolt for crown .. ..	2	..
H76/46		Damper bolt assembly .. ..	1	..
H40/46		Fork crown pin .. ..	1	..
H42/50	H/42A	Handlebar shackle .. ..	2	..
S1/3		Nut for handlebar shackle .. ..	4	..
		Washer for handlebar shackle .. ..	4	..
H49/46		Sliding tube, N.S. assembly .. ..	1	..
H48/46		Sliding tube, O.S. assembly .. ..	1	..
H59/49	H/91	Steering column complete .. ..	1	..
H75/46		Bottom cover and plate assembly .. ..	2	..
H54/46		Bolt for fork end .. ..	1	..
S1/3		Nut for fork end bolt .. ..	1	..
		Washer for fork end bolt .. ..	1	..
H56/46		Oil seal holder complete .. ..	2	..
0128	A6/84	Stud for centre stay .. ..	4	..
H73A		Shim (top bearing and circlip), .010 in. as reqd. .. ..	-	..
H73B		Shim (top bearing and circlip), .020 in. as reqd. .. ..	-	..
H73C		Shim (top bearing and circlip), .030 in. as reqd. .. ..	-	..
H103-50		Liner for handlebar shackle .. ..	2	..
H110-51		Washer for H51/51 .. ..	2	..
H111-51		Washer for fork shaft head nut .. ..	2	..
H112-51		Washer for steering column (top) .. ..	1	..
H113-51		Washer for steering column (bottom) .. ..	1	..
H93/49		Washer (spring) for 081 .. .. per set of 6	6	..
0590	E8/548	Distance piece for headlamp fixing .. ..	2	..
		Bolt for headlamp fixing .. ..	2	..

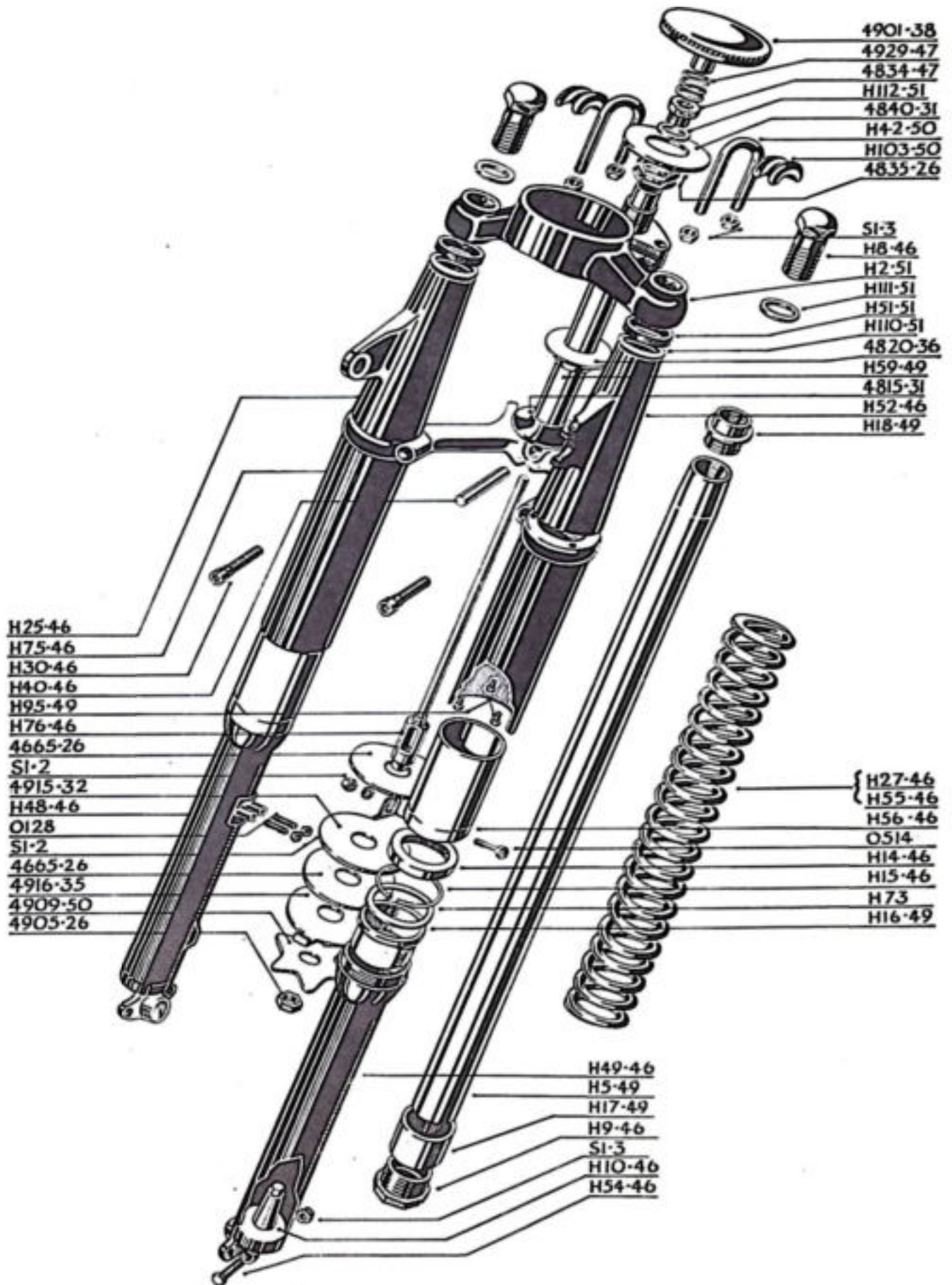
### SPEEDOMETER

Makers: Messrs. S. SMITH (MA) LTD., Cricklewood, London

5202-50		Speedometer head, 180 k.p.h. .. ..	1	..
5203-50		Speedometer head, 120 m.p.h. .. ..	1	..
5213-51	H/109	Strap for speedometer head .. ..	1	..
5226-50	E9/1243	Speedometer cable complete, 4 ft. 1 in. long	1	..
5226-52		Speedometer cable complete, for GB gearbox only .. ..	1	..
5231-50		Speedometer cable, inner flex only .. ..	1	..
5236-50		Speedometer cable, outer flex only .. ..	1	..



# TELESCOPIC FORK ASSEMBLY



Order by SPARES No.	Do not use PART No.	DESCRIPTION OF PART	No. per Set	PRICE EACH £ s. d.
<b>STEERING HEAD FITTINGS</b>				
4815-31	D10/3	Steering crown ball race .. .. .	1 ..	
4818-31	D10/2	Head clip ball race .. .. .	1 ..	
4820-36	D10/137	Outer race (head lug) .. .. .	2 ..	
S9-2		½ in. diameter steel balls .. .. .	per set of 40 ..	
4838-31	D10/7	Felt washer .. .. .	2 ..	
4840-31	D10/8	Dust cover .. .. .	1 ..	
4835-26	D8/21	Nut for steering column .. .. .	2 ..	
4834-52	H/41A	Steering column plug .. .. .	1 ..	
4901-38	D10/141	Steering damper knob .. .. .	1 ..	
P6		Nipple for head lug .. .. .	2 ..	
4905-26	D9/19	Locknut (damper) .. .. .	1 ..	
4909-35	D10/136A	Star washer .. .. .	1 ..	
4915-32	E9/157	Anchor plate .. .. .	1 ..	
4916-35	D10/132	Middle plate for damper .. .. .	1 ..	
4665-26	D8/26	Friction disc .. .. .	2 ..	
0514	E8/390	Bolt for anchor plate .. .. .	1 ..	
S1-2		Nut for 0514 .. .. .	1 ..	
		½ in. diameter shakeproof washer (external)	1 ..	
S19-2		Washer .. .. .	4 ..	
4842-32	E9/310	Cable clip for head lug .. .. .	2 ..	
081	E8/492	Screw for clip .. .. .	2 ..	
4929-47	D10/276	Spring for damper knob .. .. .	1 ..	

### HANDLEBARS AND FITTINGS

6400-46	H/63	Handlebar (standard) .. .. .	1 ..	
6425-50		5 in. twist grip assembly complete (Amal)	1 ..	
6425Q-50		5 in. dummy grip (Amal) .. .. .	1 ..	
6421-48		Front brake control lever assembly complete (Amal) .. .. .	1 ..	
6415-48		Clutch control lever assembly complete (Amal) .. .. .	1 ..	
6416B-38		Front brake lever only (Amal) .. .. .	1 ..	
6415B-48		Clutch lever only (Amal) .. .. .	1 ..	
6421A-48		Brake control bracket (Amal) .. .. .	1 ..	
6421-48		Clutch control bracket (Amal) .. .. .	1 ..	
6421F-48		Brake bracket clamp (Amal) .. .. .	1 ..	
6421F-48		Clutch bracket clamp (Amal) .. .. .	1 ..	
6416C-48		Lever fulcrum pin (Amal) .. .. .	2 ..	
6416D-48		Fulcrum pin nut (Amal) .. .. .	2 ..	
6416G-48		Clamp screw (Amal) .. .. .	4 ..	

### HANDLEBAR CONTROL CABLES

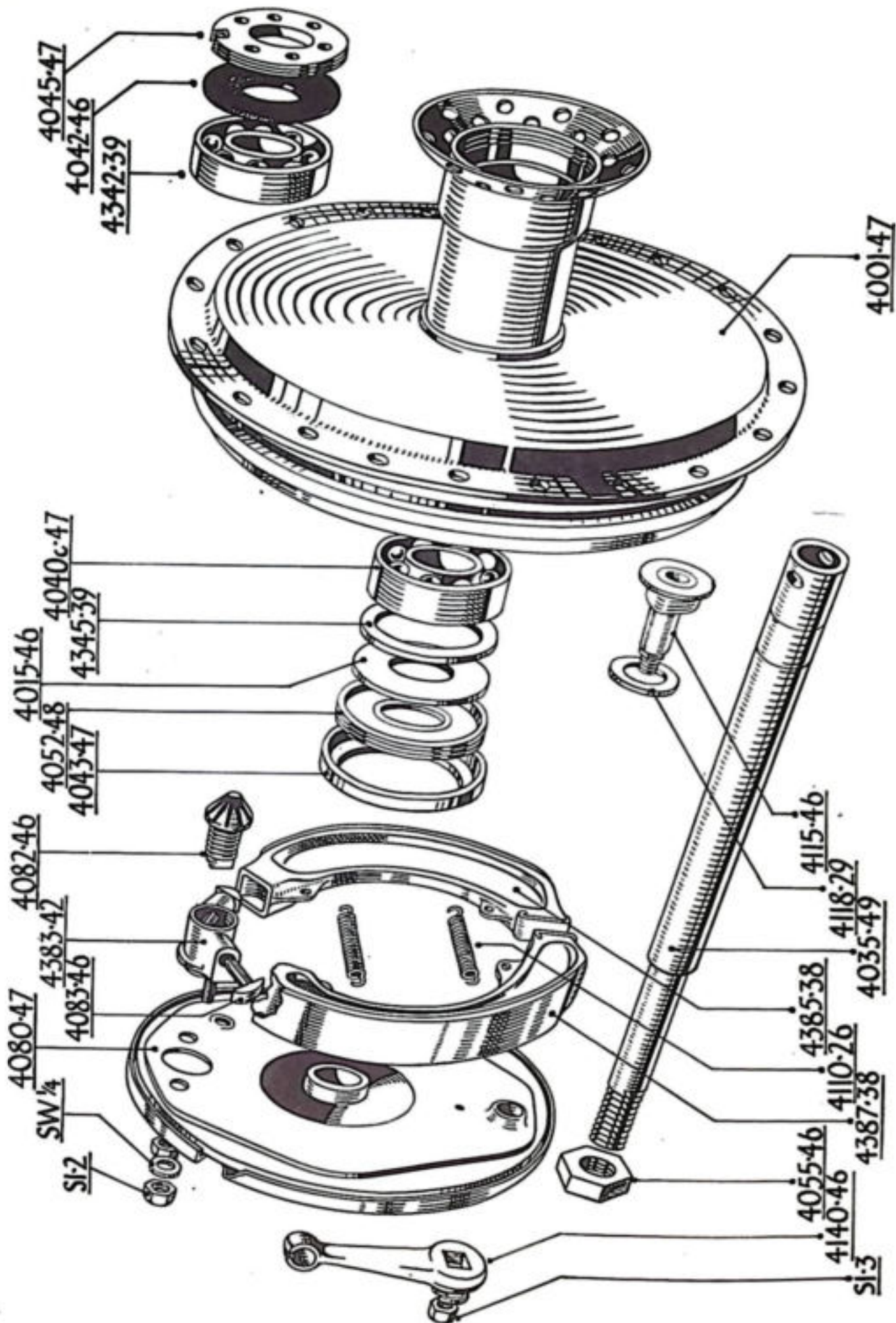
6480-46	C20/39	Brake cable complete .. .. .	1 ..	
6460-33		Clutch cable (No. 2) complete, BA gearbox	1 ..	
6495-50		Throttle cable complete .. .. .	1 ..	
6460D-37	E9/644	Clutch cable adjuster (gearbox end) ..	1 ..	
6460E-37	E9/645	Clutch cable adjuster locknut .. .. .	1 ..	
6460-52		Clutch cable complete, GB6 gearbox only ..	1 ..	

### FRONT WHEEL ASSEMBLY AND FITTINGS

4000-50C		Wheel, complete bearings, spindle and brake parts, less tyre .. .. .	1 ..	
4002-47	C20/35	Hub, rim and spokes only, built up ..	1 ..	
4001-47	C20/35	Hub and brake drum assembly .. .. .	1 ..	
4342-39		Ball bearing L/S .. .. .	1 ..	



FRONT WHEEL HUB ASSEMBLY



Order by SPARES No.	Do not use PART No.	DESCRIPTION OF PART	No. per Set	PRICE EACH £ s. d.
4040C-47	C20/38	Ball bearing with sleeve R/S .. ..	1	..
4042-46	C20/25	Oil retaining washer (N.S.) .. ..	1	..
4015-46	C20/24	Oil retaining washer (O.S.) .. ..	1	..
4045-47	C20/6	Locking ring (N.S.) .. ..	1	..
4052-48	C20/18	Locking ring (O.S.) .. ..	1	..
4043-47	C20/20	Locking ring cover .. ..	1	..
		Split pin ( $\frac{1}{8}$ in. diameter) .. ..	1	..
4385-38	C15/97	Brake shoe with lining .. ..	2	..
4387-38	C15/104	Brake shoe lining, complete with rivets per pair .. ..		
4108-26	C13/24	Rivet for lining .. ..	per set of 12	..
4110-26	C13/5	Spring for shoes .. ..	2	..
4080-47	C20/37	Brake plate with fixed fittings .. ..	1	..
4383-42	C15/23B	Wedge holder .. ..	1	..
4083-46	C20/31	Wedge spindle .. ..	2	..
4082-46	C20/32	Brake wedge .. ..	1	..
4115-46	C20/11	Brake cam .. ..	1	..
4118-29	C13/66	Washer for cam .. ..	2	..
0625	C20/29	Bolt for brake anchorage .. ..	1	..
4140-46	C20/13	Brake lever .. ..	1	..
4035-49	C20/45	Hub spindle .. ..	1	..
4055-46	C20/17	Hub spindle nut .. ..	1	..
C20/30-46		Spring clip (brake cam) .. ..	1	..
4530-47		Spoke nipples only for 10G spokes .. ..	40	..
4535-51		Set of spokes and nipples for WM1-20 rim per set of 40 .. ..		
WM1-20		Rim only, 40-hole, red and chrome (3.00 in. x 20 in.) .. ..	1	..
C20/50		Spokes, R/S, 7 in. x 10G x 80° .. ..	20	}
C20/48		Spokes, L/S, 9 $\frac{1}{4}$ in. x 10G x 135° .. ..	20	
4749-47	C20/26	Brake stop lug .. ..	1	..
4167-47	C20/22	Cable adjuster (front brake) .. ..	1	..
4168-47	C20/23	Adjuster locknut .. ..	1	..

### FRONT MUDGUARD AND STAND FITTINGS (Telescopic Fork Assembly)

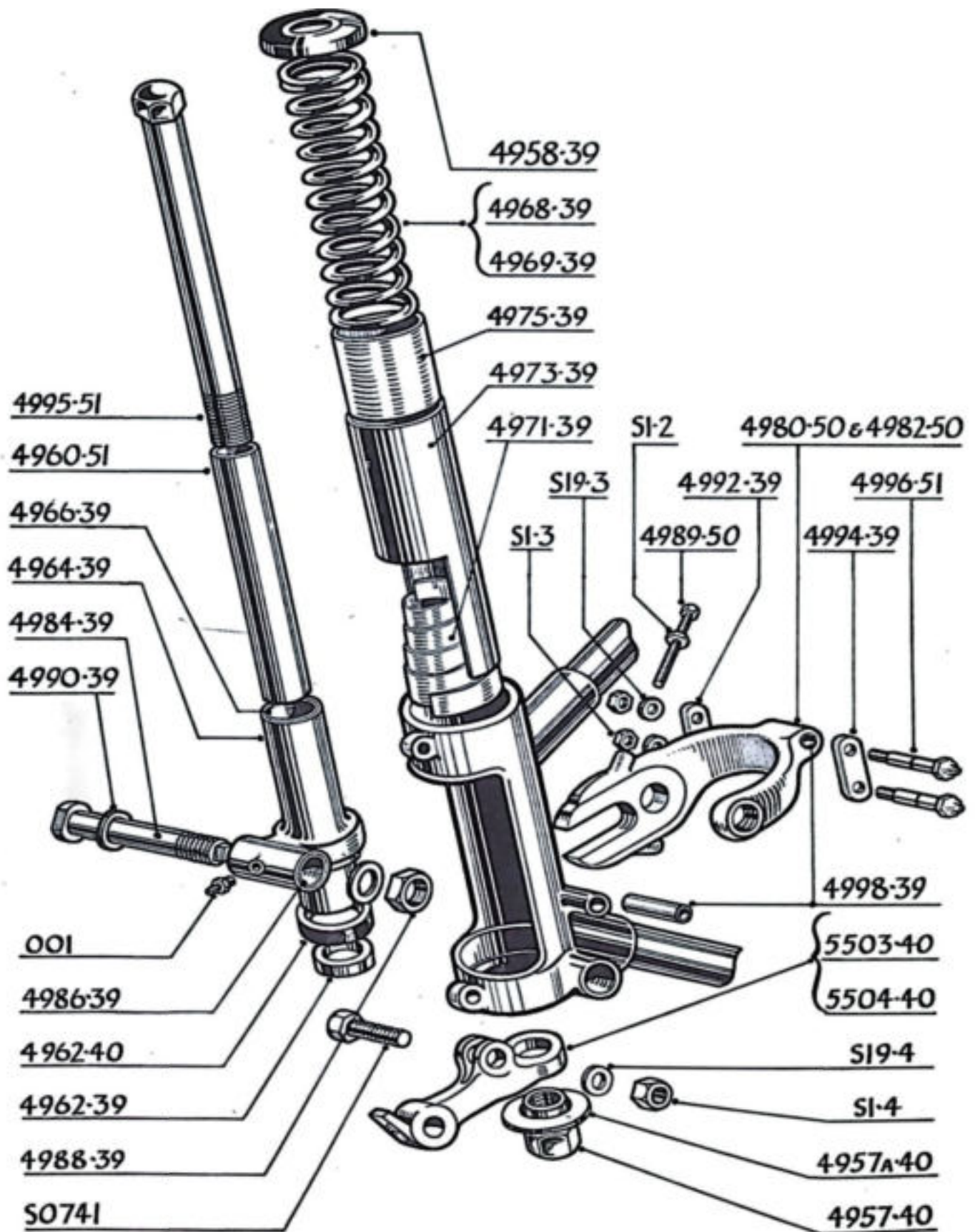
4702-51	H/120	Mudguard, plain, c/w centre fixing bracket	1	..
4711-51	H/122	Mudguard stay, plain .. ..	2	..
4743-51	H/125	Front number plate rubber moulding .. ..	1	..
4745-51	H/114	Front number plate .. ..	1	..
4746-52	H/128	Front brake cable clip .. ..	1	..
098	K/365	Front brake cable clip screw .. ..	1	..
4730-47	H/47	Front stand .. ..	1	..
0564	D9/102	Bolt for locking stand .. ..	1	..
4741-28	D9/101	Nut for locking stand .. ..	1	..
4733-26	D9/34	Bolt for stand .. ..	2	..
S1/3		Nut for bolt .. ..	2	..
S6/3		Thackery washer .. ..	2	..
S1/2		Nut for number plate .. ..	2	..
S19/2		Washer for number plate .. ..	4	..
0510	E1/60	Bolt for mudguard stay .. ..	3	..

### RIGID FRAME

4950-50B		Frame complete, less all loose fittings .. ..	-	..
----------	--	---	---	----



# SPRING FRAME ASSEMBLY



Order by SPARES No.	Do not use PART No.	DESCRIPTION OF PART	No. per Set	PRICE EACH £ s. d.
<b>SPRING FRAME</b>				
4953-50		Spring frame complete, less all loose fittings	-	..
4955-51	E9/1334	Frame lug bolt ( $\frac{5}{8}$ in. $\times$ $9\frac{1}{8}$ in.)	2	..
4957-40	E9/851	Frame lug bolt nut	2	..
4957A-40	E9/856	Frame lug bolt washer	2	..
4958-39	E9/705	Frame lug aluminium cap	2	..
4960-51	E9/1333	Guide tube	2	..
4962-39	E9/713	Guide tube packing washer	2	..
4962-40	A7/434	Guide tube rubber washer	2	..
4964-39	E9/668	Sliding member c/w bushes	2	..
4966-39	E9/700	Sliding member bush	4	..
4968-39	E9/706	Main spring (top), .296 in. diameter wire	2	..
4971-39	E9/757	Recoil spring (bottom)	2	..
4973-39	E9/716	Dust cover, main (long)	2	..
4975-39	E9/729A	Dust cover, cupped (short)	2	..
4980-50	E9/1247	Stirrup arm, R/S	1	..
4982-50	E9/1246	Stirrup arm, L/S	1	..
4984-39	E9/701	Stirrup bolt ( $\frac{5}{8}$ in. $\times$ $3\frac{1}{2}$ in.)	2	..
4986-39	E9/669	Stirrup bolt bush	4	..
4988-39	E9/714	Stirrup bolt locknut	2	..
4989-50	E9/1220	Rear chain adjuster bolt	2	..
S1-2		Rear chain adjuster bolt nut	2	..
4990-39	E9/715	Stirrup bolt adjusting washer	4	..
4992-39	E9/708	Connecting link ( $\frac{5}{8}$ in. hole)	2	..
4994-39	E9/709	Connecting link ( $\frac{3}{4}$ in. hole)	2	..
4996-51	E9/710A	Connecting link bolt ( $1\frac{1}{2}$ in. long $\times$ $\frac{1}{8}$ in. diameter thread)	4	..
4998-39	E9/711	Connecting link bolt bush	4	..
		Grease nipple for 4964-39	2	..

### FOOTRESTS, BRAKE PEDAL AND ROD, REAR STAND

5375-48	E9/1078	Footrest support	2	..
5383-46	E9/1081	Footrest, L/S and R/S	2	..
0400	E8/666	Footrest rod ( $\frac{7}{8}$ in. $\times$ 13 in. long)	1	..
5385-48	E9/1075	Footrest rod distance tube	1	..
5392-52	E9/1378	Rubber pad for footrest	2	..
R5400-51	E9/1223A	Brake pedal	1	..
S5400-50	E9/1221	Brake pedal	1	..
5412-51	E9/580A	Brake pedal spindle	1	..
R5425-36	C15/85	Brake rod ( $\frac{1}{2}$ in. $\times$ $17\frac{1}{2}$ in. long)	1	..
S5425-51	ET/1263	Brake rod ( $\frac{1}{2}$ in.) (fixed wheel)	1	..
S5425-52	C15/224	Brake rod (detachable wheel)	1	..
5430-36	E8/206A	Brake rod jaw (front end)	1	..
S48-2		Brake rod jaw joint pin	1	..
S17-1		Brake rod jaw joint pin split pin	1	..
5435-31	C15/18	Brake rod adjusting wing nut	1	..
5435-52	C15/225	Brake rod nut	1	..
R5436-36	C15/89	Brake rod adjusting nut sleeve	1	..
5437-36	C15/84	Brake rod swivel pin (in brake lever)	1	..
R5500-39		Rear stand	1	..
R5505-26	E1/58	Rear stand bolt, R/S	1	..
R5507-36	E9/603	Rear stand bolt, L/S	1	..
5510-30	E8/908	Rear stand spring	1	..
S5500-40	E9/857	Rear stand	1	..
S5503-40	E9/848	Rear stand bracket, R/S	1	..
S5504-40	E9/849	Rear stand bracket, L/S	1	..
S0741	E9/850	Rear stand bracket bolt ( $\frac{3}{8}$ in. $\times$ $1\frac{1}{2}$ in.)	2	..
S5505-26	E1/58	Rear stand pivot bolt	2	..

(R) For rigid frame

(S) For spring frame



Order by SPARES No.	Do not use PART No.	DESCRIPTION OF PART	No. per Set	PRICE EACH £ s. d.
<b>PILLION FOOTRESTS</b>				
5540A-36		Pillion footrest assembly complete, R/S	} pr. ..	..
5540B-36		Pillion footrest assembly complete, L/S		
5541-32	E9/345	Rubber pad .. .. .	2	..

### REAR MUDGUARD AND CARRIER

R5575-51	E9/1286	Mudguard (plain) .. .. .	1	..
S5580-51	E9/1287	Mudguard (plain) .. .. .	1	..
R5589-51	E9/1284	Lifting handle (no carrier) .. .. .	1	..
S5597-51	E9/1291	Lifting handle (no carrier) .. .. .	1	..
R5591-51	E9/1304	Rear mudguard stay, R/S .. .. .	1	..
R5592-51	E9/1305	Rear mudguard stay, L/S .. .. .	1	..
S5590-51	E9/1306	Rear mudguard stay, R/S .. .. .	1	..
S5594-51	E9/1307	Rear mudguard stay, L/S .. .. .	1	..
R0516	D9/148	Bolt for centre stay .. .. .	2	..
R0510	E1/60	Bolt for lifting handle .. .. .	4	..
0604	ET/579	Bolt securing mudguard to frame, R/S .. .. .	1	..
5647-49	E9/1165	Rear number plate .. .. .	1	..
S0513	E8/294	Bolt for rear number plate .. .. .	1	..
5655-49	E9/1169	Bolt securing mudguard to frame, L/S .. .. .	1	..
SN-3		Pinnacle nut for 5655-49 .. .. .	1	..
0510	E1/60	Bolt for number plate .. .. .	1	..
094	E9/532	Screw for number plate .. .. .	2	..
R5655-51	E9/1301	Stud (mudguard rear stay to fork end) .. .. .	2	..
5656-39	D9/101	Nut for above stud .. .. .	2	..
S5654-51	E9/1308	Stud for stay, R/S .. .. .	1	..
S5604-51	E9/1309	Stud for stay, L/S .. .. .	1	..
R5630-52		Carrier complete .. .. .	1	..
S5631-52		Carrier complete .. .. .	1	..
4720-29	E8/780	Packing washer for bridge .. .. .	2	..

### CHAINS AND CHAIN COVERS

5702-39	E9/765	Clutch dome .. .. .	1	..
041	E9/610	Clutch dome cheese-head screw ( $\frac{1}{2}$ in. $\times$ $\frac{3}{8}$ in. $\times$ 20 T.P.I.) .. .. .	3	..
5710-39	E9/731	Oil bath chain case (outer half) .. .. .	1	..
5711-48	E9/1087	Oil bath chain case (back half) .. .. .	1	..
015	A8/34	Oil bath cheese-head screw ( $1\frac{1}{8}$ in. $\times$ $\frac{3}{8}$ in.) .. .. .	7	..
017	E10/68	Oil bath cheese-head screw ( $2\frac{1}{8}$ in. $\times$ $\frac{3}{8}$ in.) .. .. .	2	..
022	ET/624	Oil bath cheese-head screw ( $1\frac{1}{8}$ in. $\times$ $\frac{3}{8}$ in.) .. .. .	1	..
021	ET/623	Oil bath cheese-head screw ( $\frac{1}{2}$ in. $\times$ $1\frac{1}{8}$ in. $\times$ 20 T.P.I.) .. .. .	3	..
0604	ET/579	Bolt for case ( $\frac{3}{16}$ in. $\times$ $1\frac{1}{2}$ in. $\times$ 26 T.P.I.) .. .. .	1	..
R5720-33	E9/411	Rear chain guard (top run) .. .. .	1	..
S5720-39	E9/748	Rear chain guard (top run) .. .. .	1	..
0520	A6/501	Bolt for front fixing .. .. .	1	..
R0513	E8/294A	Bolt for rear fixing, 5720-33 .. .. .	1	..
R5722-36	E9/412A	Rear chain guard (bottom run) .. .. .	1	..
S5722-39	E9/749	Rear chain guard (bottom run) .. .. .	1	..
5723-31	E9/151	Nut ( $\frac{1}{2}$ in. $\times$ 20 T.P.I.), front fixing 5722-36/39 .. .. .	1	..
R0739	E9/608	Bolt ( $\frac{3}{8}$ in. $\times$ $1\frac{1}{2}$ in. $\times$ 26 T.P.I.), rear fixing, 5722-36 .. .. .	1	..
S0741	E9/850	Bolt for rear fixing (lower cover) .. .. .	1	..

(R) For rigid frame

(S) For spring frame

Order by SPARES No.	Do not use PART No.	DESCRIPTION OF PART	No. per Set	PRICE EACH £ s. d.
R5740-30	E8/924	Rear chain adjuster .. .. .	2 ..	..
R5744-30	E8/925	Rear chain adjuster locknut .. .. .	2 ..	..
5750A-32	E9/298A	Inspection plug .. .. .	1 ..	..
5751-31	E8/514	Inspection plug washer (inter. 5855-29) ..	1 ..	..
5760-33	E9/384	Washer (paper) between two halves of chain case .. .. .	1 ..	..
5763-33	E9/458	Washer (paper) for cover at footrest boss	1 ..	..
5767-39	E9/775	Chain case "oil level" plug .. .. .	1 ..	..
2101-30	A6/769	Chain case "oil level" plug washer .. .. .	1 ..	..
5770-31	E9/64	Adjusting screw for rear chain lubrication	1 ..	..
5772-31	E9/65	Adjusting screw spring .. .. .	1 ..	..
5780-33		Front chain ( $\frac{1}{2}$ in. $\times$ .305 in. $\times$ 81 pitches)	- ..	..
5782-28		Front chain ( $\frac{1}{2}$ in. $\times$ .305 in. $\times$ 80 pitches)	- ..	..
5790-33		Rear chain ( $\frac{3}{8}$ in. $\times$ $\frac{3}{8}$ in. $\times$ 95 pitches) ..	- ..	..

### OIL TANK AND FITTINGS

5850-52	E9/1383	Oil tank .. .. .	1 ..	..
5854-29	E8/503	Filler cap and dome with washer .. .. .	1 ..	..
5861-52	E9/1377	Oil filter gauze and spring .. .. .	1 ..	..
5855-29	E8/514	Filler cap washer .. .. .	1 ..	..
5857-52	E9/1362	Steady clip for oil tank .. .. .	1 ..	..
5858-52	E9/1363	Fibre packing for oil tank fixing clip as reqd.	- ..	..
0510	E1/60	Bolt for clip 5857-52 .. .. .	1 ..	..
0182	E8/762	Fixing bolt, top of tank ( $\frac{3}{16}$ in. $\times$ $1\frac{1}{8}$ in.)	1 ..	..
5860-51	E9/409A	Fixing bolt nut .. .. .	2 ..	..
5882-48	E9/1073	Oil pipe, nipple and nut (delivery and return) .. .. .	2 ..	..
5896-29	E8/775	Rubber connection ( $\frac{1}{4}$ in. bore) .. .. .	2 ..	..
5897-31		Clip for connection ( $\frac{1}{4}$ in. bore), plain ..	4 ..	..
5898-30	E8/1150	Drain plug .. .. .	1 ..	..
5899-30	A6/646	Drain plug washer .. .. .	1 ..	..

### EXHAUST PIPE AND SILENCERS

6000-51	E9/1320	Exhaust pipe, R/S .. .. .	1 ..	..
6001-51	E9/1321	Exhaust pipe, L/S .. .. .	1 ..	..
R6035-38	E9/655	Silencer, R/S .. .. .	1 ..	..
R6041-38	E9/656	Silencer, L/S .. .. .	1 ..	..
S6035-39	E9/742	Silencer, R/S .. .. .	1 ..	..
S6041-39	E9/743	Silencer, L/S .. .. .	1 ..	..
6066-51	K/205	Exhaust pipe clip complete for head joint	2 ..	..
6075-33	E9/403	Clip complete (pipe to frame tube), R/S ..	1 ..	..
6076-50	E9/1228	Clip complete (pipe to frame tube), L/S ..	1 ..	..
0591	E8/156	Bolt for clip to frame, R/S .. .. .	1 ..	..
0592	E8/317	Bolt for clip to frame, L/S .. .. .	1 ..	..
6062-29	E8/576	Clip complete (pipe to silencer joint) ..	2 ..	..
0718	A6/508	Bolt for silencer fixing, R/S .. .. .	1 ..	..
0540	A7/560	Setscrew for finned clip .. .. .	2 ..	..

(R) For rigid frame (S) For spring frame

### BATTERY CARRIER AND CABLE CLIPS

6107-51	E9/1294	Top strap securing accumulator .. .. .	1 ..	..
6108-51	E9/1295	Lower strap securing accumulator .. .. .	1 ..	..
6114C-51	E9/1297/8C	Screw assembly, battery carrier strap ..	1 ..	..
0513	E8/294	Set bolt for earthing ( $\frac{1}{2}$ in. $\times$ $\frac{7}{16}$ in.) ..	1 ..	..
6140-33	E9/414	Spring clip for three cables ( $\frac{3}{8}$ in. diameter tube) .. .. .	7 ..	..



Order by SPARES No.	Do not use PART No.	DESCRIPTION OF PART	No. per Set	PRICE EACH £ s. d.
6141-33	E9/415	Spring clip for three cables (1½ in. diameter tube)	1	..
6142-33		Spring clip for two cables (1½ in. diameter tube)	1	..
6151-51	E9/1316	Battery platform	1	..
6170-37	E9/648	Cover for voltage control unit	1	..
0513	E8/294	Set bolt securing voltage control unit	2	..
5239-50	E9/1255	Cover (rubber) for electric cables	1	..
S51-1	E9/1299	Hinge pin for battery strap	1	..
		Split pin for S51-1	1	..

### SADDLES AND EQUIPMENT

Makers: LYCETTS & MOTOR ACCESSORIES CO. LTD.,  
Ludgate Hill Passage, Birmingham 3

6200-51		Saddle complete with springs	-	..
6208-51		Saddle coil spring (standard)	-	..
		Saddle seat cover (standard)	-	..
0593	E8/617	Bolt for front of saddle	1	..
0402A	E9/1230	Stud for saddle rear anchorage	2	..
S2-3		Nut for 0593	1	..
S2-5		Nut for 0402A	8	..
6220-50	E9/1231	Distance piece for stud	2	..

### PETROL TANK AND FITTINGS

5001-51	E9/1314	Petrol tank (deep crimson), less fittings	1	..
5001C-51	E9/1314	Petrol tank as above c/w fittings	1	..
5004B-51		Ariel name plate motif	2	..
5004-34	E9/487	Ariel name plate	2	..
093	E9/488	Screw for name plate	per set of 4	..
5012C-30	E8/995C	Petrol filler cap complete	1	..
5012-30	E8/995	Petrol filler cap only, with anti-splash and washer	1	..
5020-30	E8/1090C	Petrol filler cap screw	1	..
5023-29	E8/632	Petrol filler cap screw leather washer (¾ in. O.D.)	1	..
5023-30	E8/991	Petrol filler cap screw leather washer (¾ in. O.D.)	1	..
5025-29	E8/629	Petrol filler cap washer	1	..
5027-30	E8/986	Petrol filler cap locking cam	1	..
5028-30	E8/992	Petrol filler cap locking cam locknut	2	..
5050-50		Petrol tap and strainer	2	..
5054-27	E8/403	Petrol tap washer	4	..
0574	E8/245	Tank fixing bolt (⅜ in. × 1 ⅞ in. × 18 T.P.I.)	2	..
0579	E9/462	Tank fixing bolt (⅜ in. × 1 ⅞ in. × 18 T.P.I.)	2	..
5058-26	E8/68	Tank fixing bolt steel washer	4	..
5060-31	E9/166	Tank fixing bolt rubber washer (¾ in. thick)	6	..
5060-27	E8/247	Tank fixing bolt rubber washer (¾ in. thick)	2	..
5072-50	E9/1244C	Petrol pipe (flexible), bottom feed	1	..
5069-51	E9/1327	Petrol pipe (short)	1	..
5898-30	E8/1150	Drain plug	1	..
5899-30	A6/646	Drain plug washer	1	..
5082-37	E9/635	Knee grip, R/S	1	..
5083-37	E9/636	Knee grip, L/S	1	..
5085-37	E9/637	Knee grip plate, R/S	1	..
5086-37	E9/638	Knee grip plate, L/S	1	..
0513	E8/294	Knee grip plate securing bolt	4	..
5160-51		Oil gauge complete	1	..
5169-51	K136A	Oil gauge pipe c/w unions (gauge end)	1	..

Order by SPARES No.	Do not use PART No.	DESCRIPTION OF PART	No. per Set	PRICE EACH £ s. d.
<b>TOOL BOX AND TOOL KIT</b>				
S6556-50C	E9/1144	Tool box and lid, c/w fittings .. ..	1 ..	
R6554-41C	E9/964	Tool box and lid, c/w fittings .. ..	1 ..	
6600-36	G1/125	Double-ended spanner ( $\frac{3}{16}$ in. $\times$ $\frac{1}{2}$ in. bolts)	1 ..	
6600-32	G1/110	Spanner for brake fulcrum adjustment ..	1 ..	
6603-28	G1/59	Double-ended spanner ( $\frac{5}{16}$ in. $\times$ $\frac{3}{8}$ in. bolts)	1 ..	
6604-28	G1/60	Double-ended spanner ( $\frac{1}{2}$ in. $\times$ $\frac{5}{16}$ in. bolts)	1 ..	
6604-36	G1/124	Double-ended spanner ( $\frac{1}{2}$ in. $\times$ $\frac{5}{16}$ in. bolts)	1 ..	
6605-28	G1/66	Double-ended spanner ( $\frac{7}{16}$ in. $\times$ $\frac{1}{2}$ in. bolts)	1 ..	
6606-27	G1/55	Double-ended spanner (head nut and wheel cone nuts) .. .. ..	1 ..	
6606-30	G1/55A	Double-ended spanner (head nuts) .. ..	1 ..	
6608-31	G1/102	Tube spanner .. .. ..	1 ..	
6608-50	G1/168	Tube spanner, detachable wheel nuts (brake drum) .. .. ..	1 ..	
6611-29	G1/77	Tube spanner .. .. ..	1 ..	
6611-31	G1/99	Tube spanner (hub spindle nut) .. ..	1 ..	
6611-34	G1/122	Tube spanner .. .. ..	1 ..	
6611-36	G1/123	Tube spanner for clutch centre pins ..	1 ..	
6611-50	G1/169	Double-ended box spanner for wheel spindle nut (Q.D. wheel and fixed wheel, spring frame) .. .. ..	1 ..	
6612-27	G1/57	Tommy bar .. .. ..	1 ..	
6614-29	G1/94	Ring spanner ( $\frac{3}{8}$ in. $\times$ $\frac{7}{16}$ in.) .. ..	1 ..	
6614-31	G1/103	Ring spanner ( $\frac{1}{2}$ in. $\times$ $\frac{5}{16}$ in.) .. ..	1 ..	
6615-34	G1/118	Spanner for valve rocker adjustment and cover .. .. ..	1 ..	
6616-26	G1/33	Screwdriver .. .. ..	1 ..	
6616-29	G1/86	Screwdriver for clutch spring nuts ..	1 ..	
6617-26		Magneto spanner .. .. ..	1 ..	
6689-46	G1/150	Socket key for telescopic fork .. ..	1 ..	
6699-46	G1/152	Spanner for locking ring (front hub) ..	1 ..	
6621-48	G1/160	Extractor for cam and crankshaft gears ..	1 ..	
6623-48	G1/161	Set pin for extractor .. .. ..	1 ..	
6621-48C	G1/160C	Extractor and set pin complete .. ..	1 ..	
6625-26		Tyre lever .. .. ..	1 ..	
6635-27		Grease gun .. .. ..	1 ..	
6636-29		Tyre inflator (14 in. $\times$ $\frac{7}{8}$ in.) .. ..	1 ..	
6640-46		Canvas tool roll .. .. ..	1 ..	
S6649-50	G1/166	Extension tube for 6608-50 .. .. ..	1 ..	
6688-48		Set of tools only .. .. ..	- ..	
6688-51		Set of tools only (model fitted detachable rear wheel) .. .. ..	- ..	

Note.—Set of tools does not include grease gun or tyre inflator.

(R) For rigid frame (S) For spring frame

### CARBURETTER

Makers: AMAL LTD.,  
Holford Works, Perry Barr, Birmingham 20

### CARBURETTER (Bottom Feed Type)

7700-51A 276EG/1C Carburetter, complete with cables, less controls ..

### MIXING CHAMBER AND FITTINGS

7707-48	276/014R	Mixing chamber body .. ..	.. ..
7738-48	6/419	Cap spring .. ..	.. ..
7741-35	4/241	Cap spring screw .. ..	.. ..



Order by SPARES No.	Do not use PART No.	DESCRIPTION OF PART	PRICE EACH			
			£	s.	d.	
7806-29	6/052	Throttle valve (No. 6/3)	..	..	..	..
7811-48	4/263	Throttle valve spring	..	..	..	..
7817-29	4/060	Throttle valve cotter	..	..	..	..
7794-48	6/417	Air valve assembly ..	..	..	..	..
7861-30	4/063	Throttle adjusting screw	..	..	..	..
7863-30	16/010	Throttle adjusting nut	..	..	..	..
7855-29	13/129	Air adjusting screw ..	..	..	..	..
7857-29	4/148	Air adjusting screw spring	..	..	..	..
7713-48	206/058R	Jet block complete ..	..	..	..	..
7762-29	6/040	Jet block washer	..	..	..	..
7837-29	4/061	Needle jet, .107	..	..	..	..
7844-29	6/065	Jet needle ..	..	..	..	..
7851-29	4/230	Jet needle clip	..	..	..	..
7831-29	4/042	Main jet (No. 150)	..	..	..	..
7720-29	6/062	Mixing chamber union nut	..	..	..	..
7771-29	4/043	Holding bolt ..	..	..	..	..
7771-51	4/043M	Holding bolt ..	..	..	..	..
7773-29	4/053	Holding bolt washer ..	..	..	..	..
7773-51	4/053M	Holding bolt washer ..	..	..	..	..
7786-48	206/038R	Air intake tube	..	..	..	..

#### FLOAT CHAMBER

7912-51	64/156M	Float chamber body ..	..	..	..	..
7912-48	64/156B	Float chamber body ..	..	..	..	..
7921-47	14/208	Float chamber cover	..	..	..	..
7926-48	14/021	Float chamber cover lock screw	..	..	..	..
7931-47	14/015	Float ..	..	..	..	..
7935-47	14/024	Float needle ..	..	..	..	..
7941-47	14/301	Float tickler ..	..	..	..	..
7943-29	14/032	Float tickler spring ..	..	..	..	..
7945-29	14/289	Float tickler cotter ..	..	..	..	..
7953-29	14/036	Banjo connection nut	..	..	..	..
7955-29	14/037	Banjo connection nut washer	..	..	..	..

#### AIR CLEANER

9014-49		Air cleaner complete..	..	..	..	..
---------	--	------------------------	----	----	----	----

## STANDARD NUTS, WASHERS, ETC.

Order by SPARES No.	DESCRIPTION OF PART	PRICE
S1-2	Nut (standard), $\frac{1}{4}$ in. dia. $\times$ 26 T.P.I.	.. ..
S1-3	Nut (standard), $\frac{1}{8}$ in. dia. $\times$ 26 T.P.I.	.. ..
S1-4	Nut (standard), $\frac{3}{8}$ in. dia. $\times$ 26 T.P.I.	.. ..
S1-5	Nut (standard), $\frac{7}{16}$ in. dia. $\times$ 26 T.P.I.	.. ..
S1-6	Nut (standard), $\frac{1}{2}$ in. dia. $\times$ 20 T.P.I.	.. ..
S2-2	Locknut (thin), $\frac{1}{4}$ in. dia. $\times$ 26 T.P.I.	.. ..
S2-3	Locknut (thin), $\frac{1}{8}$ in. dia. $\times$ 26 T.P.I.	.. ..
S2-4	Locknut (thin), $\frac{3}{8}$ in. dia. $\times$ 26 T.P.I.	.. ..
S2-5	Locknut (thin), $\frac{7}{16}$ in. dia. $\times$ 26 T.P.I.	.. ..
S2-6	Locknut (thin), $\frac{1}{2}$ in. dia. $\times$ 20 T.P.I.	.. ..
S2-7L	Locknut (thin), $\frac{3}{8}$ in. dia. $\times$ L.H. 20 T.P.I.	.. ..
S5-2	Single spring washer, $\frac{1}{4}$ in. dia.	.. ..
S5-3	Single spring washer, $\frac{1}{8}$ in. dia.	.. ..
S5-4	Single spring washer, $\frac{3}{8}$ in. dia.	.. ..
S5-5	Single spring washer, $\frac{7}{16}$ in. dia.	.. ..
S5-6	Single spring washer, $\frac{1}{2}$ in. dia.	.. ..
S6-3	Double spring washer .. ..	.. ..
S6-6	Double spring washer .. ..	.. ..
S9-1	Steel ball, $\frac{3}{16}$ in. dia. .. ..	.. ..
S9-1A	Steel ball, $\frac{7}{32}$ in. dia. .. ..	.. ..
S9-2	Steel ball, $\frac{1}{4}$ in. dia. .. ..	.. ..
S17-1	Split pin, $\frac{1}{16}$ in. dia. $\times$ $\frac{1}{4}$ in. .. ..	.. ..
S18-1	No. 3 Woodruff key .. ..	.. ..
S18-2	No. 9 Woodruff key .. ..	.. ..
S19-2	Plain washer, $\frac{1}{4}$ in. dia. hole .. ..	.. ..
S19-3	Plain washer, $\frac{1}{8}$ in. dia. hole .. ..	.. ..
S19-4	Plain washer, $\frac{3}{8}$ in. dia. hole .. ..	.. ..
S19-5	Plain washer, $\frac{7}{16}$ in. dia. hole .. ..	.. ..
S19-6	Plain washer, $\frac{1}{2}$ in. dia. hole .. ..	.. ..
S19-7	Plain washer, $\frac{9}{16}$ in. dia. hole .. ..	.. ..
S19-8	Plain washer, $\frac{5}{8}$ in. dia. hole .. ..	.. ..
S21-1	Oil pipe union body .. ..	.. ..
S21-2	Petrol union nut .. ..	.. ..
S21-3	Oil union nipple .. ..	.. ..
S22-2	Plug, $\frac{3}{8}$ in. dia. $\times$ 19 T.P.I. .. ..	.. ..
S22-4	Plug, $\frac{1}{2}$ in. dia. $\times$ 16 T.P.I. .. ..	.. ..
S25-2	Slotted cable adjuster .. ..	.. ..
S48-2	Joint pin .. ..	.. ..
S51-1	Joint pin .. ..	.. ..



Order by  
SPARES  
No.

DESCRIPTION OF PART

**ELECTRICAL EQUIPMENT**

Makers: Messrs. JOSEPH LUCAS LTD. (Service Dept.),  
Great King Street and Great Hampton Street, Birmingham 19

20009B	DYNAMO	..	..	..	..	..	..	..	..
200609	Cover band	..	..	..	..	..	..	..	..
200718	Cover, commutator end	..	..	..	..	..	..	..	..
200737	Brushes, set	..	..	..	..	..	..	..	..
200713	Bracket, commutator end	..	..	..	..	..	..	..	..
189210	Bearing, commutator end	..	..	..	..	..	..	..	..
200738	Insulating plate complete with brush gear	..	..	..	..	..	..	..	..
220197	Springs, set, brush tension	..	..	..	..	..	..	..	..
189307	Bearing, drive end	..	..	..	..	..	..	..	..
200760	Bracket, drive end	..	..	..	..	..	..	..	..
200712	Armature	..	..	..	..	..	..	..	..
200731	Coils, field	..	..	..	..	..	..	..	..
200806	Sundry parts, set	..	..	..	..	..	..	..	..
045120E	MAGNETO, K2F	..	..	..	..	..	..	..	..
458368	Pick-up, L/H	..	..	..	..	..	..	..	..
458367	Pick-up, R/H	..	..	..	..	..	..	..	..
451260	Brush and spring (pick-up)	..	..	..	..	..	..	..	..
458638	Cover, contact breaker	..	..	..	..	..	..	..	..
470534	Contact breaker complete	..	..	..	..	..	..	..	..
470609	Contact set	..	..	..	..	..	..	..	..
470688	Springs, set	..	..	..	..	..	..	..	..
458389	Cam	..	..	..	..	..	..	..	..
458642	End plate, contact breaker	..	..	..	..	..	..	..	..
458333	Armature	..	..	..	..	..	..	..	..
455361	Slip ring	..	..	..	..	..	..	..	..
189291	Bearing	..	..	..	..	..	..	..	..
455191	Brush, spring and holder	..	..	..	..	..	..	..	..
455190	Brush and spring	..	..	..	..	..	..	..	..
458370	Spring pin assembly	..	..	..	..	..	..	..	..
052544	TAIL LAMP, 480	..	..	..	..	..	..	..	..
069239J	HORN, HF1234	..	..	..	..	..	..	..	..
700168	Horn bracket	..	..	..	..	..	..	..	..
76204	Push, 4A	..	..	..	..	..	..	..	..
37097B	REGULATOR, MCR2	..	..	..	..	..	..	..	..
391454	Cover	..	..	..	..	..	..	..	..
391453	Clip	..	..	..	..	..	..	..	..
	BATTERY, PUW7E/4	..	..	..	..	..	..	..	..
056457A	HEADLAMP	..	..	..	..	..	..	..	..
553248	Rim	..	..	..	..	..	..	..	..
553268	Reflector and glass	..	..	..	..	..	..	..	..

**MAGNETO**

Makers: THE B.T.H. CO. LTD., Alma Street, Coventry

B.T.H. Magneto, Type KC2. Form W4. L/H. Factory Exchange service

CZ87517-G2	Housing, main	..	..	..	..	..	..	..	..
SKC741-G1	Ball race, outer	..	..	..	..	..	..	..	..
SKC6123-1	Insulation for ball race	..	..	..	..	..	..	..	..
SKC87159-G1	Collector brush holder	..	..	..	..	..	..	..	..
SKC6306-G2	Collector brush and spring	..	..	..	..	..	..	..	..
CK52078-G3	Condenser assembly	..	..	..	..	..	..	..	..
CX50495-G1	Armature, complete with end plates and condenser	..	..	..	..	..	..	..	..
CX1883-G24	Contact breaker complete, L/H	..	..	..	..	..	..	..	..
CZ61580-G1	Cover for contact breaker complete	..	..	..	..	..	..	..	..
SKC33650-4	Cam ring	..	..	..	..	..	..	..	..
CR108979	Oil seal and spring	..	..	..	..	..	..	..	..
SKC74955-G2	Base and check spring assembly	..	..	..	..	..	..	..	..

## ARIEL SPARES AND PART NUMBERS

In order to assist Service Engineers, Storekeepers, and Owners of Ariel Motor Cycles to identify any particular spare part or Assembly, a number has been allotted to it and will always remain such until superseded or rendered obsolete. As far as possible, each number incorporates two figures indicating the actual first year of manufacture, and if that part is used for two or even ten years in succession, it retains the same number, thus showing that the part is interchangeable over the whole period. This system of numbering also assists in selecting a spare part that may be used on more than one Ariel Model, and therefore helps to eliminate storage space:

As an example please refer to page 4 and select spares No. K19-51 (Rocker). The last two figures indicate that this Rocker was first introduced in 1951 and fitted, as this book implies, to the 1951 Twin Cylinder only.

Next refer to page 5 and select spares No. 1450-37 Mainshaft Bush (white metallised). The last two figures indicate that this Bush was introduced in 1937, and reference to a 1937 Spares List will show that it was fitted to the Ariel Model 4G 1,000 c.c. and is now interchangeable with the Twin Cylinder Model.

Certain Factory Part Numbers are retained for use, and also special numbers for standard nuts, bolts, etc., as indicated throughout this list.



**ARIEL MOTORS LIMITED  
PROPRIETARY EQUIPMENT AND ACCESSORIES**

Although every effort is made to obtain the most suitable and highest quality fittings of a proprietary nature for incorporating into our Motor Cycles, our guarantee does not cover such parts.

In the event of trouble being experienced with proprietary fittings, the part or parts should be returned to and claims made direct on the actual manufacturers, who will deal with them on the terms of their respective guarantees. Date of purchase and mileage covered should always be clearly stated when submitting a claim.

---

**CARBURETTORS**

AMAL LTD.,  
Holford Works, Perry Barr, Birmingham 20

---

**CHAINS**

THE RENOLD & COVENTRY CHAIN CO. LTD.,  
Didsbury, Manchester

---

**DYNAMO AND LIGHTING EQUIPMENT**

Messrs. JOSEPH LUCAS LTD. (Service Dept.),  
Great King Street and Great Hampton Street, Birmingham 19

---

**MAGNETO**

THE B.T.H. CO. LTD.,  
Alma Street, Coventry, or Messrs. LUCAS as above

---

**HORNS — ELECTRIC**

CLEAR HOOTERS LTD.,  
33 Hampton Street, Birmingham 19

---

**SADDLES**

LYCETTS & MOTOR ACCESSORIES CO. LTD.,  
Ludgate Hill Passage, Birmingham 3  
Messrs. HERBERT TERRY & SONS LTD.,  
Redditch

---

**SPEEDOMETERS**

Messrs. S. SMITH (MA) LTD.,  
Cricklewood, London

---

**TYRES**

THE DUNLOP RUBBER CO. LTD.,  
Fort Dunlop, Erdington, Birmingham 24

---

**SPARKING PLUGS**

LODGE PLUGS LTD.,  
Rugby

---

**GEARBOXES**

Messrs. BURMAN & SONS LTD.,  
Wychall Lane, Kings Norton, Birmingham 30

# VERY IMPORTANT

---

## READ CAREFULLY BEFORE ORDERING SPARE PARTS

---

We recommend Ariel riders to obtain any spares which they may require through their local dealer. In case of difficulty, however, parts may be obtained direct from our Service Department.

### NOTES ON ORDERING

Always send a Spare Parts Order on a separate sheet with name and address. Do not embody the order in a letter, although the letter and order can be sent in the same envelope. This procedure will avoid delay in the despatch of parts. See Specimen Order Form on page 41.

---

Give Spares Number and description of part. Also quote Engine and Frame Numbers with prefix letters. If there is any doubt concerning the part required, return the old part as pattern; this will not be returned with the new part unless asked for. The engine number and prefix letter will be found stamped upon the crankcase, drive side, immediately below the Cylinder Block. The frame number and prefix letter is stamped upon the saddle lug.

---

The symbols R/S or O/S and L/S or N/S indicate the right-hand side and left-hand side respectively of the machine as indicated by the rider when sitting on the saddle.

---

If you have an account, the goods will be despatched as soon as possible after receipt of order. If you have no account, it will facilitate despatch if remittance to cover cost of goods, postage and packing is enclosed.

---

If you have no account and remittance is not enclosed, we shall be pleased to despatch per C.O.D. post or send Pro Forma Invoice as instructed.

---

When telegraphing a money order, do not fail to give your name and address, and concise particulars of your requirements.

---

Goods returned must be sent carriage paid, and relatively fragile parts, such as cylinders, etc., should be very securely packed to avoid damage. Label parts returned with name and address of sender.

---

We are pleased to give estimates for overhauls and repairs, but cannot give firm quotations as necessities may be discovered not foreseen when estimating.

Should an estimate not be accepted, payment for dismantling and reassembling must be made.



## SPECIMEN ORDER FORM

For use in Great Britain only

A clearly worded order is the best way to ensure prompt and accurate despatch of spares. We therefore suggest that orders should be made out in the following manner:

To: (Name and address of your usual dealer),

Customer's Address.

or: Ariel Motors Ltd.,  
Selly Oak,  
Birmingham 29.

Dear Sirs;

Kindly forward the following parts against cash (state amount) enclosed.

or Kindly forward the following parts per C.O.D. post.

or Kindly forward Pro Forma Invoice for the following:

For Model.... Year.... Engine No. and Prefix Letter.

Quantity	Spares No.	Description	Price

Add 7½% surcharge to net amount of Invoice to cover postage and carriage. Cases charged extra.

Total Cost \_\_\_\_\_  
\_\_\_\_\_

Sign your name clearly.

## NOTICE

WE do not appoint agents for the sale on our behalf of our motor cycles or other goods, but we assign to motor cycle Dealers areas in which we supply to such Dealers, exclusively for re-sale in such areas. No such Dealer is authorised to transact any business, give any warranty, make any representation or incur any liability on our behalf.

### THE FOLLOWING IS A COPY OF THE GUARANTEE GIVEN BY DEALERS IN ARIEL MOTOR CYCLES

WE give the following guarantee with our motor cycles, which is given in place of any implied conditions, warranties or liabilities whatsoever, statutory or otherwise, all such implied conditions, warranties and liabilities being in all cases excluded. Any statement, description, condition or representation contained in any catalogue, advertisement leaflet or other publication, shall not be construed as enlarging, varying or overriding this guarantee. In the case of machines which have been used for "hiring out" purposes, or from which the trade mark, name or manufacturing number has been removed, no guarantee of any kind is given or is to be implied.

WE guarantee, subject to the conditions mentioned below, that all precautions which are usual and reasonable have been taken by us to secure excellence of materials and workmanship, but this guarantee is to extend and be in force for six months only from date of purchase, and damages for which we make ourselves responsible under this guarantee are limited to the free supply of a new part in exchange for the part of the motor cycle which may have proved defective. We do not undertake to replace or refix, or bear the cost of replacing or refixing, such new part in the motor cycle. We undertake, subject to the conditions mentioned below, to make good at any time within six months any defects in these respects. As the motor cycles are easily liable to derangement by neglect or misuse, this guarantee does not apply to defects caused by wear and tear, misuse or neglect.

The term "misuse" shall include amongst others, the following acts:

1. The attaching of a sidecar to the motor cycle in such a manner as to cause damage or calculated to render the latter unsafe when ridden.
2. The use of a motor cycle, or of a motor cycle and sidecar combined, when carrying more persons, or a greater weight than that for which the machine was designed by the manufacturers.
3. The attaching of a sidecar to a motor cycle by any form of attachment not provided, supplied or approved by the manufacturers, or to a motor cycle which is not designed for such use.

Any motor cycle sent to us to be plated, enamelled or repaired will be repaired upon the following conditions, i.e., we guarantee that all precautions which are usual and reasonable have been taken by us to secure excellence of material and workmanship, such guarantee to extend and be in force for three months only from the time such work shall have been executed or until the expiration of the six months above referred to, and this guarantee is in lieu and in exclusion of any common law or statute warranty or condition and the damages recoverable are limited to the cost of any further work which may be necessary to amend and make good the work found to be defective.

### CONDITIONS OF GUARANTEE

If a defective part should be found in our motor cycles, or in any part supplied by way of exchange before referred to, it must be sent to us **Carriage Paid**, and accompanied by an intimation from the Owner that he desires to have it repaired or exchanged free of charge under our guarantee, and he must also furnish us at the same time with the number of the machine, the date of purchase, or the date when the alleged defective part was exchanged as the case may be.

Failing compliance with the above, such articles will lie here **at the risk of the owner**, and this guarantee and any implied guarantee, warranty or condition shall not be enforceable.

We do not guarantee tyres, saddles, chains, electrical equipment or any other specialities of accessory manufacturers.



## ARIEL DISTRIBUTORS AND SPARES STOCKISTS

ABERFFRAW, Anglesey ...	...	J. O. Williams, Llewelyn Street.
ACCRINGTON, Lancs. ...	...	Wm. Snape, 379 Blackburn Road.
ALDERSHOT, Hants. ...	...	Archer & Son, 149 Victoria Road.
ALFRETON, Derbyshire ...	...	J. H. Raynes & Co. Ltd., 104 High Street.
ALTRINCHAM, Cheshire ...	...	Walton & Coombes Ltd., 13 Old Market Place.
ANDOVER, Hants. ...	...	Corbett & Ellis Ltd., Weyhill Road.
ANDOVER, Hants. ...	...	Chas. White, Lower Clatford.
ASHFORD, Kent ...	...	C. Hayward & Son, 18-42 New Street.
ASHFORD, Middx. ...	...	C. & A. Motors Ltd., London Road.
ASHEAT, Surrey ...	...	H. R. Nash Ltd., Craddock Parade.
AXMINSTER, Devon ...	...	Grays (Axminster) Ltd., West Street.
AYLESBURY, Bucks. ...	...	Eborn's Garage, 44 Walton Street.
BALA, Merioneth ...	...	Jones Bros., Henblas and West End Garage.
BARKING, Essex ...	...	Albons Garage Ltd., 119 Ripple Road.
BARNESLEY, Yorks. ...	...	Geo. Ward, 40-42 Doncaster Road.
BARROW-IN-FURNESS ...	...	W. Jackson, Roose Garage.
BASINGSTOKE, Hants. ...	...	H. J. Gifford Ltd., 14 New Street.
BATH, Som. ...	...	Barton Motors, 14 Westgate Buildings.
BEDFORD ...	...	Imperial Cycle & Motor Co., 58 St. Laves.
BECCLES, Suffolk ...	...	L. C. Green, Southwold Road, Wrentham.
BECKENHAM, Kent ...	...	Deen's Garage, 529 Croydon Road.
BEOLEY, Worcs. ...	...	Beoley Garage Ltd., Bransons Cross, Alcester Road, near Redditch.
BIGGLESWADE, Beds. ...	...	Bryants Ltd., 72-74 Shortmead Street.
BIRCHINGTON, Kent ...	...	Brocks Garage, The Square.
BIRKENHEAD, Cheshire ...	...	Bob Simister, 540 New Chester Road, Rock Ferry.
BIRMINGHAM 5 ...	...	Colmore Depot Ltd., 77 Station Street.
BIRMINGHAM 17 ...	...	Chas. E. Cope & Sons Ltd., 481-487 Upper Hagley Road, Edgbaston.
BIRMINGHAM 1 ...	...	W. L. Handley Ltd., 144-145 Suffolk Street.
BIRMINGHAM 5 ...	...	Kings Motors (Oxford) Ltd., 18-20 Bristol Street.
BIRMINGHAM 4 ...	...	Motor Sales Ltd., 15-16 Aston Street.
BIRMINGHAM 23 ...	...	Rickards Garage, 54 Station Road, Erdington.
BIRMINGHAM 12 ...	...	Shovelbottoms Ltd., 376 Ladypool Road, Sparkbrook.
BIRMINGHAM 7 ...	...	The Premier Motor Co. Ltd., 253 Dartmouth Street.
BISHOPS STORTFORD ...	...	W. Searing, 31 Hockerill Street.
BLACKBURN ...	...	Shuttleworth & Geldart, 15 Gt. Bolton Street.
BLACKPOOL ...	...	John Hall & Son, 143 Church Street.
BOGNOR, Sussex ...	...	Evershed & Co., 12 High Street.
BOLTON ...	...	Kay Bros., Motor and Cycle Agents, Bradshawgate.
BOURNE, Lincs. ...	...	H. J. Willson, Windmill Garage, Rippingale.
BOURNEMOUTH ...	...	Jenkins & Purser Ltd., 970 Wimborne Road.
BRADFORD ...	...	Chas. Sidney Ltd., 140 Manningham Lane.
BRAINTREE, Essex ...	...	J. H. Tofts & Son Ltd., The Garage, Great Square.
BRAUNTON, Devon ...	...	C. M. Ray, 7 Caen Street.
BRECON ...	...	Trevor Brookes, Lion Street.
BRENTWOOD, Essex ...	...	Albons Garage (Shenfield) Ltd., Shenfield Garage, Shenfield, near Brentwood.
BRIDGEND, Glam. ...	...	Leslie Griffiths, Ewenny Road.
BRIDGNORTH, Salop ...	...	Rutter's Garage, Salop Street.
BRIDGWATER, Som. ...	...	Anderson & Wall, 18 St. Mary Street.
BRIGG, Lincs. ...	...	Sid. Whelpton, West End Garage, Forrester Street.
BRIGHOUSE, Yorks. ...	...	Belle Vue Garage, Bradford Road.
BRIGHTON, Sussex ...	...	Redhill Motors Ltd., 104 North Street.
BRISTOL ...	...	Barton Motors (Bristol) Ltd., 17-18 North Street.
BRISTOL ...	...	Glanfield Lawrence (Bristol) Ltd., 47-53 Bath Road.
BROMLEY, Kent ...	...	Boyer of Bromley, 38 London Road.
BROMSGROVE, Worcs. ...	...	Harold Tozer Ltd., 110 Birmingham Road.
BUCKINGHAM ...	...	A. C. Marriot, Castle Street.
BUDE, Cornwall ...	...	J. C. Maynard & Co. Ltd., Station Garage, Bencoolen Road.
BURNLEY ...	...	H. & F. Hebden Ltd. 149 St. James Street.
BURTON-ON-TRENT ...	...	Bargate Motors Ltd., 3 & 4 Wetmore Road.
BURY, Lancs. ...	...	Cliff Holden (Motors) Ltd., Millett Street.
BURY-ST.-EDMUNDS ...	...	C. J. Bowers & Son, 98A Risbygate Street.
CAERPHILLY, Glam. ...	...	C. G. Morgan, Piccadilly Square.
CAMBERLEY, Surrey ...	...	E. Pascall Ltd., 42-45 London Road.
CAMBRIDGE ...	...	King & Harper Ltd., 3 Milton Road.
CANNOCK, Staffs. ...	...	T. E. Stone, Central Garage, Blackfords.
CANTERBURY, Kent ...	...	Marcel Hallett, St. Dunstan's Garage.
CARDIFF ...	...	Glanfield Lawrence Ltd., 2-10 City Road.
CARLISLE ...	...	W. T. Tiffin & Sons, Irishgate Brow, Caldew Bridge.
CARMARTHEN ...	...	Eddie Stephens Motors, 22-23 Water Street.
CHAPEL-EN-LE-FRITH ...	...	E. W. Bowers, 129 Townend.
CHARD, Som. ...	...	E. A. Taylor, Holyrood Street.
CHATHAM, Kent ...	...	F. Bannister & Son Ltd., 26 Railway Street.
CHELMSFORD, Essex ...	...	G. W. Boreham, City Garage, Baddow Road.
CHELTENHAM ...	...	A. Williams & Co., Portland Street.



**ARIEL DISTRIBUTORS AND SPARES STOCKISTS—continued**

CHEPSTOW, Mon. ...	...	Bowen's Garage Ltd., Tutshill.
CHESTER ...	...	Davies Bros., 34 Bridge Street.
CHESTERFIELD ...	...	Jervis Bros., Horns Garage, 95 Lordsmith Street.
CHICHESTER, Sussex ...	...	W. Goodridge & Co. Ltd., East Street.
CHIPPENHAM, Wilts. ...	...	C. N. Chequer, Lowden Garage.
CHORLEY, Lancs. ...	...	S. M. Miller, 88 Bolton Street.
CHURCH STRETTON, Salop ...	...	The Central Garage Ltd., Burway Road.
CHWILOG, Caernarvonshire ...	...	O. H. Griffiths & Co., The Garage, Four Crosses, near Chwilog.
CLACTON-ON-SEA ...	...	W. A. Syrett, 100 Station Road.
COLCHESTER, Essex ...	...	G. B. R. Motors Ltd., 63 High Street.
COLNE, Lancs. ...	...	C. H. Schofield (Motors) Ltd., 19-25 Market Place.
COLWYN BAY ...	...	Gilbert Emery, 36 Kings Road.
CORWEN, Merioneth ...	...	Corwen Motor Co.
COVENTRY ...	...	W. Brandish & Son Ltd., Whitefriars Street.
COVENTRY ...	...	Chas. E. Cope & Sons Ltd., 282-284 Foleshill Road.
COVENTRY ...	...	Chas. E. Cope & Sons Ltd., 5 Holyhead Road.
CREWE ...	...	E. Beech, Coppenhall Garage, Cross Green.
CREWE ...	...	W. M. Webster, Mill Street Garage.
CROOK, Co. Durham ...	...	F. Clement, Bridge Street Garage.
CROYDON, Surrey ...	...	Godfreys Ltd., 228-234 London Road.
CULLOMPTON, Devon ...	...	R. Edwards, Ashill, Craddock.
DAGENHAM, Essex ...	...	Smith & Double Ltd., Imperial House, New Road.
DARLINGTON ...	...	Duplex Motor & Cycle Co. Ltd., 10-16 Grange Road.
DARTFORD, Kent ...	...	J. C. Beadle Ltd., Spital Street.
DEAL, Kent ...	...	Water Street Garage, Water Street.
DERBY ...	...	Palms Motors Ltd., 43 Osmaston Road.
DEVIZES, Wilts. ...	...	K. L. Witts, Southbroom Place.
DEWSBURY, Yorks. ...	...	Parkinsons (Wakefield) Ltd., 62 Daisy Hill.
DONCASTER, Yorks. ...	...	Raynes Motors, 10 Cleveland Street.
DONCASTER, Yorks. ...	...	T. Stott & Sons, Racecourse Garage, Bawtry Road.
DORCHESTER ...	...	R. J. Watts, 39 South Street.
DORKING, Surrey ...	...	Edwards Motors (Dorking) Ltd., South Street.
DOUGLAS, I.O.M. ...	...	Salisbury Garages Ltd., Fort Street.
DOVER, Kent ...	...	Kearsney Motor Garage Ltd., Kearsney.
DUDLEY, Worcs. ...	...	Chas. E. Cope & Sons Ltd., 168-169 High Street.
DUNSTABLE, Beds. ...	...	B. G. England Ltd., Half Moon Garage, London Road.
DURHAM ...	...	Gibson & Woods, 54 North Road.
EASTBOURNE, Sussex ...	...	Jempsons (Hurrey Woodhams), 118 Seaside.
EBBW VALE ...	...	John Elson & Co., Beaufort Garage, Beaufort.
EASTWOOD, Notts. ...	...	Clifford Motories.
EDGWARE, Middx. ...	...	Rex Judd, High Street.
ELY, Cambs. ...	...	Walbro Cycle Stores, 3 Lynn Road.
ENFIELD, Middx. ...	...	D. J. Shepherd & Co. Ltd., 434-436 Hertford Road.
ERITH, Kent ...	...	A. A. Heiden, Fraser Road.
EVESHAM, Worcs. ...	...	V. A. Morrall, The Motor House, London Road.
EXETER, Devon ...	...	P. Pike & Co. Ltd., Alphington Street.
EYE, Suffolk ...	...	F. E. Whant & Sons, Broad Street.
FALMOUTH, Cornwall ...	...	Taylor's Garage (Falmouth) Ltd., Town Quay.
FARINGDON, Berks. ...	...	Faringdon Engineering Co. Ltd., Enterprise Garage, Gloucester Street.
FARNHAM, Surrey ...	...	Heath Bros. (Frensham) Ltd., 83 East Street.
FLEETWOOD, Lancs. ...	...	Nick Lancaster, 48-50 Poulton Road.
FOLKESTONE, Kent ...	...	R. O. Wiltshire, 23 Rendezvous Street.
FRITHVILLE, Lincs. ...	...	S. Coupland, near Boston.
FROME, Som. ...	...	P. Difazio & Bishop, 25 Catherine Street.
GAINSBOROUGH, Lincs. ...	...	Central Garage Ltd., North Street.
GATESHEAD-ON-TYNE ...	...	O. Carmichael & Son, 75 High West Street.
GLASTONBURY, Som. ...	...	Abbey Garage (Glastonbury) Ltd., Magdalene Street.
GLOUCESTER ...	...	Harpers Garage Ltd., 23A Worcester Street.
GRANTHAM, Lincs. ...	...	Grantham Motor Cycle Depot, 5 Chapel Street.
GRIMSBY ...	...	H. J. Gresswell & Son Ltd., 12-15 Osborne Street.
GRIMSBY ...	...	Freddie Frith, 119 Victoria Street.
GT. HARWOOD, Lancs. ...	...	Clifford Clegg, Premier House, Queen Street.
GT. YARMOUTH ...	...	O. Atkinson, 137 Mill Road.
GUILDFORD, Surrey ...	...	E. Pascall Ltd., 11-12 Woodbridge Road.
HALIFAX, Yorks. ...	...	Cable Motor Co. Ltd., 26 Lister Lane.
HALIFAX, Yorks. ...	...	Halifax Motor Exchange, 25 Horton Street.
HAMPTON-IN-ARDEN ...	...	J. Pearson's Garage, Barston.
HARLOW, Essex ...	...	Collins & Son, Fore Street.
HARROGATE ...	...	Baines Bros. Ltd., Cheltenham Mount.
HARROW, Middx. ...	...	E. T. Pink, 22 Station Road.
HAYWARDS HEATH, Sussex ...	...	C. G. Griffiths, Queens Road.
HAZEL GROVE, Cheshire ...	...	Warburton Bros., 260 London Road.
HELSTON, Cornwall ...	...	C. G. Lory, 14-16 Wendron Street.
HEMEL HEMPSTEAD, Herts. ...	...	Messrs. Moores, London Road.
HENLEY-IN-ARDEN, Warwicks. ...	...	Henley Garages Ltd., High Street.



**ARIEL DISTRIBUTORS AND SPARES STOCKISTS—continued**

HEREFORD ... ..	C. F. King & Co., City Garage, Eign Street.
HIGH WYCOMBE, Bucks. ... ..	F. W. Tillion, Priory Road.
HINCKLEY, Leics. ... ..	Bruce Lewin Ltd., 16 Stockwell Head.
HOVE, Sussex ... ..	G. Bradshaw (Sussex) Ltd., 5-6 Weston Road.
HOUNSLOW, Middx. ... ..	Stanley's Motors, 7-8 Bulstrode Parade.
HUDDERSFIELD ... ..	G. A. Earnshaw, Manchester Road.
HULL ... ..	Jordan & Co. (Hull) Ltd., 93-94 Prospect Street.
ILFORD, Essex ... ..	Morgans of Ilford, 7 York Road.
IPSWICH, Suffolk ... ..	Revetts Ltd., 1 Berners Street.
KEIGHLEY, Yorks. ... ..	Dick Ratcliffe, Coldshaw Garage, Haworth.
KENDAL ... ..	G. W. Parkinson, Kent Street.
KETTERING, Northants. ... ..	C. J. Rouse & Son, 114 Wellington Street.
KIDDERMINSTER, Worcs. ... ..	Motor Cycle Mart, 9 Towers Buildings, Blackwell Street.
KINGSBRIDGE, Devon ... ..	Wills Garage, Embankment Road.
KING'S LYNN, Norfolk ... ..	Lawrence & Failes, 103 London Road.
KINGSTON-ON-THAMES, Surrey	Kingston Motor Cycles Ltd., 26-28 London Road.
LANCASTER... ..	J. P. Barton, Damside Street.
LAUNCESTON, Cornwall ... ..	H. Robbins, Northgate Street.
LEAMINGTON SPA ... ..	Beauchamp Motors, Hall Road.
LEEDS ... ..	B. J. Jenkins (Leeds) Ltd., 21 Lower Briggate.
LEEDS 6 ... ..	W. Marsden & Sons Ltd., Hyde Park Corner.
LEEK, Staffs. ... ..	Caleb Titterton, East Street Garage.
LEICESTER ... ..	Colmsore Depot Ltd., 174 Belgrave Gate.
LEIGH, Lancs. ... ..	Cliff Holden (Motors) Ltd., Market Buildings, Newton Street.
LEOMINSTER, Hereford ... ..	Watson's Motor Works Ltd., 4 Etnam Street.
LICHFIELD, Staffs. ... ..	The Lichfield Motor Cycle Depot, 37 Tamworth Street.
LINCOLN ... ..	Wests (Lincoln) Ltd., 116 High Street.
LIVERPOOL 2 ... ..	Bob Sergent Ltd., 22 Moorfields.
LLANDRINDOD WELLS, Radnor	Automobile Palace Ltd.
LLANGFNFI, Anglesey ... ..	J. O. Williams, 11 Church Street.
LONDON N.1 ... ..	Renno's, 232 Upper Street, Islington.
LONDON N.4 ... ..	Strand Motor Cycles, 40 Stroud Green Road.
LONDON N.6 ... ..	Gatehouse Motors Ltd., 1 Hampstead Lane, Highgate Village.
LONDON N.8 ... ..	Messrs. Brockers, 2 Queens Parade, Green Lanes, Harringay.
LONDON N.12 ... ..	Glanfield Lawrence Ltd., 407 High Road, North Finchley.
LONDON N.13 ... ..	Turner Bros. Ltd., 29-31 Green Lanes, Palmers Green.
LONDON N.16 ... ..	Godfreys Ltd., 232 Stamford Hill.
LONDON N.18 ... ..	J. A. Lock, 68 Fore Street, Edmonton.
LONDON N.W.1 ... ..	W. E. Humphreys Ltd., 122 Hampstead Road.
LONDON N.W.3 ... ..	Rowland Smith Motors Ltd., 78-81 High Street, Hampstead.
LONDON N.W.6 ... ..	Raymond Way Motors Ltd., 73-75 Kilburn High Road.
LONDON N.W.9 ... ..	O'Neill Bros., 190 Broadway, West Hendon.
LONDON N.W.10 ... ..	Arun Motor Cycle Co. Ltd., 85 Church Road, Willesden.
LONDON E.C.4 ... ..	Slocombs Ltd., 269-271 Neasden Lane.
LONDON E.6 ... ..	Geo. Grose Ltd., 14-18 Station Buildings, New Bridge Street.
LONDON E.6 ... ..	E. E. Atkinson Motors Ltd., 415 Barking Road, East Ham.
LONDON E.7 ... ..	Lovetts Ltd., 220 Barking Road, East Ham.
LONDON E.8 ... ..	Lovetts Ltd., 418 Romford Road, Forest Gate.
LONDON E.10 ... ..	Eleanor Motors, 265-269 Mare Street, Hackney.
LONDON E.11 ... ..	S. A. Coles Ltd., 364-368 High Road, Leyton.
LONDON E.13 ... ..	Rivetts Ltd., 236 High Road, Leytonstone.
LONDON S.E.5 ... ..	Sid. Franken, 480 Barking Road, Plaistow.
LONDON S.E.9 ... ..	Marble Arch Motors Ltd., 286-302 Camberwell Road.
LONDON S.E.10 ... ..	E. Beckett, 25 The Courtyard, High Street, Eltham.
LONDON S.E.11 ... ..	M. F. Sharland Ltd., 125 Trafalgar Road, Greenwich.
LONDON S.E.13 ... ..	Writers Ltd., 161-165 Kennington Lane.
LONDON S.E.14 ... ..	T. J. Ross Ltd., 106 Lee High Road.
LONDON S.E.15 ... ..	L. S. Corbett, 410-456 New Cross Road.
LONDON S.E.18 ... ..	West End Motors Ltd., 171 High Street, Peckham.
LONDON S.E.18 ... ..	Cleare & Co. Ltd., 1 Woolwich High Street.
LONDON S.E.22 ... ..	Carter & Hartley, 289 Plumstead High Street.
LONDON S.E.23 ... ..	Tom Pullin Motors, 84 Lordship Lane, East Dulwich.
LONDON S.E.24 ... ..	Brackpool & Co. Ltd., 224-228 Stanstead Road, Forest Hill.
LONDON S.E.27 ... ..	J. J. Wise & Son Ltd., Railton Road, Herne Hill.
LONDON S.W.2 ... ..	E. Withers, 88 Knights Hill, West Norwood.
LONDON S.W.6 ... ..	T. C. Munday & Co. Ltd., 124 Dalberg Road, Brixton.
LONDON S.W.9 ... ..	Claude Rye Ltd., 895 Fulham Road.
LONDON S.W.9 ... ..	Pride & Clarke Ltd., 158 Stockwell Road, Brixton.
LONDON S.W.11 ... ..	Gus Kuhn Motors, 275 Clapham Road.
LONDON S.W.12 ... ..	Naylor & Root Ltd., 250 Lavender Hill, Clapham Junction.
LONDON S.W.15 ... ..	Taylor Matterson Ltd., 81-85 Bedford Hill, Balham.
LONDON S.W.17 ... ..	Putney Autos Ltd., 263 Putney Bridge Road.
LONDON S.W.18 ... ..	Elite Motors Ltd., 951 Garrett Lane, Tooting.
LONDON W.1 ... ..	Celtic Motor Works, 53 East Hill, Wandsworth.
LONDON W.2 ... ..	Godfreys Ltd., 208-210 Gt. Portland Street.
LONDON W.3 ... ..	Marble Arch Motors Ltd., 113-115 Edgware Road.
LONDON W.6 ... ..	Whitby's of Acton Ltd., 273 The Vale, Acton.
LONDON W.6 ... ..	F. Freeman (Hammersmith) Ltd., 92-94 Hammersmith Bridge Rd.
LONDON W.6 ... ..	Harry Nash (Motors) Ltd., 291-337 King Street, Hammersmith.



**ARIEL DISTRIBUTORS AND SPARES STOCKISTS—continued**

LONG EATON, Notts. ...	...	H. E. Butler, 72 Tamworth Road.
LOUGHBOROUGH, Leics. ...	...	Colmore Depot Ltd., 138 Nottingham Road.
LOUTH, Lincs. ...	...	W. J. Beeton & Son, Upgate Garage.
LOWESTOFT, Suffolk ...	...	R. Wright, 67-69 London Road South.
LUDLOW, Salop ...	...	E. R. H. Wontner, Old Street Garage.
LUTON, Beds. ...	...	B. G. England (Luton) Ltd., 39 Dunstable Road.
MACCLESFIELD ...	...	T. Simister, Hibel Road.
MACHYNLLETH, Mon. ...	...	F. Reade & Sons, The Garage.
MAIDENHEAD, Berks. ...	...	Bob White & Co., 13 York Road.
MAIDSTONE, Kent... ..	...	Redhill Motors Ltd., 4 The Broadway.
MALDON, Essex ...	...	Hunter's Garage, The Square, Heybridge.
MANCHESTER ...	...	Colmore Depot Ltd., 17 Watson Street.
MANCHESTER ...	...	King's Motors (Oxford) Ltd., 770 Chester Road, Stretford.
MANSFIELD, Notts. ...	...	Henstocks, 128 Chesterfield Road North.
MARCH, Cambs. ...	...	H. Rose & Son, St. Peters Road.
MARKET DRAYTON ...	...	Abraham's, Shrewsbury Road.
MARKET HARBOROUGH ...	...	T. J. Marriot, 7 Coventry Road.
MELTON MOWBRAY, Leics. ...	...	W. H. Houghton & Co. Ltd., 15 Nottingham Road.
MEXBOROUGH, Yorks. ...	...	Wilson Bros., 52 Main Street.
MIDDLESBROUGH ...	...	Wm. Armstrong Ltd., 379-381 Linthorpe Road.
MISTERTON, Nr. Crewkerne, Som. ...	...	E. A. Taylor.
MITCHAM, Surrey ...	...	Millars Motors Ltd., 363 London Road.
MONMOUTH... ..	...	J. G. Davis, 53 Monrow Street.
NARBERTH, Pems. ...	...	James Bowen & Sons, Llawhaden.
NEATH, Glam. ...	...	Windsor Motors, 105-106 Windsor Road.
NELSON, Lanes. ...	...	J. H. Hebden Ltd., 71 Scotland Street.
NEWBURY, Berks. ...	...	Wheeler's (Newbury) Ltd., Broadway.
NEW BARNET, Herts. ...	...	Eleanor Motors, 53-62 East Barnet Road.
NEWCASTLE-ON-TYNE ...	...	Dene Motors Co. Ltd., Haymarket.
NEW MALDON, Surrey ...	...	Meetens Motor Mecca, Shannon Corner, Kingston By-Pass.
NEWPORT, I.o.W. ...	...	Stagg Motors Ltd., 24 South Street.
NEWPORT, Mon. ...	...	Alex Thom, 261 Corporation Road.
NEWTON ABBOT, Devon ...	...	J. E. Green & Co., 87 Queen Street.
NEWQUAY, Cornwall ...	...	F. & F. J. Parkin, Parkland Garage.
NORTHAMPTON ...	...	Spokes & Son, 1 Henry Street.
NORWICH ...	...	Chapmans (Norwich) Ltd., 40-42 Duke Street.
NOTTINGHAM ...	...	Henstocks, Hollowstone Garage.
NUNEATON, Warwicks. ...	...	Nuneaton Motor Cycle Depot, 61 Abbey Road.
OAKENGATES, Salop ...	...	M. Luter & Son, The Garage, Priors Lee Road, Snedshill.
OLDHAM ...	...	Davenport Motors, 76-78 Lees Road.
OSWESTRY, Salop ...	...	E. Roy Evans (Motor Cycles), The Garage, Willow Street.
OXFORD ...	...	King's Motors (Oxford) Ltd., New Road.
PAIGNTON, Devon ...	...	Wm. Croft (Paignton) Ltd., West End Motor Cycle Depot.
PARKSTONE, Dorset ...	...	Homestead Garages, 228 Ringwood Road.
PENRITH, Cumb. ...	...	J. B. Milburn Ltd., Middlegate.
PENZANCE, Cornwall ...	...	C. Bond Clark, Adelaide Street.
PETERBOROUGH ...	...	Burrows Bros., 57 Westgate.
PETERSFIELD, Hants. ...	...	F. W. Tew & Son, 20 Lavant Street.
PLYMOUTH ...	...	P. Pike & Co., 46 Union Street, Stonehouse.
PONTARDULAIS ...	...	T. Griffiths, Forest Garage.
PONTARDAWE, Glam. ...	...	H. Francis & Son, 12-14 High Street.
PONTEFRAC, Yorks. ...	...	Ewbank & Son, Townend.
PORTSLADE, Sussex ...	...	Beamish Lines Ltd., 123 Gardner Road.
PORTSMOUTH ...	...	Glanfield Lawrence Ltd., 147-151 Fratton Road.
PORTSMOUTH ...	...	Jenkins & Purser Ltd., 144-148 Lake Road.
PRESTON, Lanes. ...	...	Stan. Marks Ltd., 215 Lancaster Gate.
PROBUS, Cornwall ...	...	M. J. Collins.
PULBOROUGH, Sussex ...	...	Gray & Rowsell, Bury Gate.
RAMSGATE, Kent ...	...	Philpott's Garage, Canterbury Road.
READING, Berks. ...	...	Phillips & Bloomfield Ltd., South Street.
READING, Berks. ...	...	Stocker & Shepherd Ltd., 4 Waylen Street.
REDHILL, Surrey ...	...	Redhill Motor & Cycle Works Ltd., 50 Brighton Road.
REDRUTH, Cornwall ...	...	Joe Pengelly & Son, 85 Higher Fore Street.
RETFORD, Notts. ...	...	Lambert's Motor Cycle Depot, 72 Carrolgate.
RHONDDA, Glam. ...	...	Phil. Jones & Son, Ystrad.
RICHMOND, Surrey ...	...	Harwoods Motor Cycles, 14-16 Kew Foot Road.
RIPLEY, Derby. ...	...	L. Middleton, Derby Road.
ROCHDALE, Lanes. ...	...	Ben. Drinkwater Ltd., 48 Milnrow Road.
ROMFORD, Essex ...	...	G. H. Wilson, 119 George Street.
ROSS-ON-WYE ...	...	Little & Hall, 48 Broad Street.
ROTHERHAM ...	...	Wilson Bros., 95 Sheffield Road.
RUGBY ...	...	Underwood's Garages Ltd., 1 Park Road.
RYE, Sussex ...	...	W. Camier, 7 Wish Ward.



**ARIEL DISTRIBUTORS AND SPARES STOCKISTS—continued**

SALISBURY, Wilts. ... ..	E. J. Longman, 97 Fisherton Street.
SALISBURY, Wilts. ... ..	Mavro & Son, St. Thomas's Square.
SAXMUNDHAM, Suffolk ... ..	Earle & Kent Ltd., Chantry Road.
SCARBOROUGH ... ..	Fairbairn-Laycock Ltd., 10 Falsgrave Road.
SCUNTHORPE, Lincs. ... ..	R. L. Ward, 18-22 High Street.
SEATON, Devon ... ..	Swallowdale Garage, Station Road.
SHEERNESS, Kent... ..	Nokes Garages, 150 High Street.
SHEFFIELD 2 ... ..	Horridge & Wildgoose Ltd., 292 London Road.
SHIPLEY, Yorks. ... ..	Saltaire Motor Co., 120 Saltaire Road.
SHIPSTON-ON-STOUR, Warwicks. ... ..	A. R. Taylor Garages Ltd., Church Street.
SHOREHAM, Sussex ... ..	Gray, Rowsell & Baker Ltd., Lower Brighton Road.
SHREWSBURY, Shrops. ... ..	F. Purslow, Frankwell.
SHREWSBURY, Shrops. ... ..	J. C. Pickering, 49 Mardol.
SIDCUP, Kent ... ..	Arrow Motor Works (Kent) Ltd., High Street, Footscray.
SITTINGBOURNE, Kent ... ..	S. Scoones, 9 West Street.
SKEGNESS, Lincs. ... ..	Reliance Auto Sales & Service Ltd., Burgh Road.
SKIPTON, Yorks. ... ..	Craven Motor Co. Ltd., 40-42 High Street.
SLEAFORD, Lincs. ... ..	W. P. Maidens, Auto Engineers, Southgate.
SLOUGH, Bucks. ... ..	Sid. Moram, Wexham Road Corner.
SOUTH MOLTON, Devon ... ..	Rogers & Son, 107 South Molton Street.
SOUTHAMPTON ... ..	Alec Bennett Ltd., 152 Portswood Road.
SOUTHAMPTON ... ..	Jenkins & Purser Ltd., 349-353 Shirley Road.
SOUTHEND-ON-SEA ... ..	Belle Vue Motors, 460-464 Southchurch Road.
SOUTHPORT, Lancs. ... ..	Lifes Motors Ltd., West Street.
SOUTHSEA, Hants. ... ..	E. W. Burnett & Sons, 5 Eldon Road.
SOUTH SHIELDS ... ..	G. Arthur Brown, 103 Fowler Street.
SPALDING, Lincs. ... ..	Gordon Woodman Ltd., 34 Fleet Street, Holbeach.
SPILSBY, Lincs. ... ..	C. E. Roberts, Boston Road.
STAFFORD ... ..	Ernest H. Bunn, The Garage, 11 Newport Road.
STALYBRIDGE, Cheshire ... ..	Sellars Garage, 174 Stamford Street.
STANFORD, Lincs. ... ..	Ross Motors Ltd., 1 Red Lion Street.
STAPLEFORD, Notts. ... ..	Blacknell Motors Ltd., 79 Nottingham Road.
STOCKPORT, Cheshire ... ..	Theobald & Coppock, 6 Chestergate.
STOCKTON-ON-TEES ... ..	Stan. Jones Ltd., Bridge Road.
STOKE-ON-TRENT ... ..	Broadway Motors, Liverpool Road.
STOKE-ON-TRENT ... ..	Ridgeways, 54-56 Market Street, Longton.
STONY STRATFORD, Bucks. ... ..	R. J. Fleming Ltd., 25 High Street.
STRATFORD-UPON-AVON ... ..	Mathews & Co. Ltd., 49-50 Mansell Street.
STURMINSTER, Newton, Dorset ... ..	R. Hancock, Fifehead Neville.
ST. ALBANS, Herts. ... ..	W. M. Couper Ltd., Catherine Street.
ST. ANNES-ON-SEA ... ..	Edgar Sumner Ltd., St. Andrews Road South.
ST. AUSTELL, Cornwall ... ..	W. H. Hawkins, The Garage, St. Stephen.
ST. HELENS, Lancs. ... ..	H. Burrill, Greenfield Road Garage.
ST. IVES, Hunts. ... ..	Hallens, Motor Engineers, Bridge Street.
ST. LEONARDS-ON-SEA ... ..	Marina Motors Ltd., 5 Bexhill Road.
SUDBURY, Suffolk ... ..	W. C. Green, North Street.
SUNDERLAND ... ..	Dunn's Garages Ltd., 53-54 North Bridge Street.
SUTTON COLDFIELD ... ..	Premier Motor Co., 49 Birmingham Road.
SUTTON-IN-ASHFIELD ... ..	Henstocks, Forest Street Garage.
SWANSEA, Glam. ... ..	J. Brayley, 15 Picton Place.
SWANSEA, Glam. ... ..	Handle Davies Ltd., 230 Oxford Street.
SWINDON, Wilts. ... ..	Swindon Motor Co. Ltd., 34 Wood Street.
TALSARNAU, Merioneth. ... ..	R. J. Williams, The Garage.
TAMWORTH, Staffs. ... ..	The Motor Cycle Shop, 72 Bolesbridge Street.
TAUNTON, Som. ... ..	W. P. Edwards (Motors) Ltd., 58 East Street.
THAMES DITTON, Surrey ... ..	Comerfords Ltd., Portsmouth Road.
THETFORD, Norfolk ... ..	W. & G. Lambert Ltd., Castle Street.
THIRSK, Yorks. ... ..	J. Moss, Finkle Street.
THORNBURY, Nr. Bristol ... ..	T. H. Ashcroft, Silver Street.
TIVERTON, Devon ... ..	S. J. Tretheway & Son, 15 Gold Street.
TORQUAY, Devon ... ..	P. H. Sharam Ltd., 244 Union Street.
TROWBRIDGE, Wilts. ... ..	E. Sleightholme & Sons, Newton Garage.
TUNBRIDGE WELLS, Kent ... ..	F. R. Philpot, 11 St. Johns Road.
TYLDESLEY, Lancs. ... ..	R. Parr & Son, 81 Castle Street.
TWICKENHAM, Middx. ... ..	Blay's of Twickenham, 192 Heath Road.
UTTOXETER, Staffs. ... ..	Hobson Bros. & Williams, New Road Garage.
UXBRIDGE, Middx. ... ..	Miles Motors, 60 High Street.
WAKEFIELD, Yorks. ... ..	Parkinsons Ltd., 38-45 Ings Road.
WALSALL, Staffs. ... ..	The Motor Cycle Mart, 12 Ablewell Street.
WARRINGTON, Lancs. ... ..	Jack Frodsham Ltd., 37A Winwick Street.
WARMINSTER, Wilts. ... ..	A. J. Dale & Son, 7-8 Silver Street.
WATFORD, Herts. ... ..	Lewis, Ellis & Foster Ltd., 204 Rickmansworth Road.
WATFORD, Herts. ... ..	Lloyd Cooper & Co. Ltd., 61 Queens Road.
WATFORD, Herts. ... ..	Marble Arch Motor Supplies Ltd., High Street.
WATFORD, Herts. ... ..	Watford Motor Cycle & Spares Service Ltd., 239-241 High St.
WELLING, Kent ... ..	A. Francis, 178 Park View Road.
WELLINGTON ... ..	F. Purslow, 99 Kings Street.
WELLINGBOROUGH ... ..	W. H. Mason Ltd., 39 Midland Road.
WEMBLEY, Middx. ... ..	W. Fruin, 129-131 Ealing Road.

**ARIEL DISTRIBUTORS AND SPARES STOCKISTS—continued**

WEM, Salop ... ..	...	...	Peter Moss, 17 New Street.
WEST HARTLEPOOL ... ..	...	...	Robt. Robinson Ltd., Avenue Road.
WESTON-SUPER-MARE ... ..	...	...	Wyverns of Weston Ltd., 47 Drove Road.
WEYBRIDGE, Surrey ... ..	...	...	E. P. Attfield, 106-108 Oatlands Drive.
WEYMOUTH ... ..	...	...	Pankhurst (Weymouth) Ltd., The Palladium, Town Bridge.
WIGAN ... ..	...	...	S. M. Miller, 74 Scholes.
WINSFORD ... ..	...	...	Cliff Dickenson, The Commons Garage, Sandback & Station Rd
WINCHESTER, Hants. ... ..	...	...	Winchester Cycle Co., Jewry Street.
WINKLEIGH, N. Devon ... ..	...	...	Bissett's Garage, Exeter Road.
WOLVERHAMPTON ... ..	...	...	Chas. E. Cope & Sons Ltd., 169 Stafford Street.
WORCESTER ... ..	...	...	W. J. Bladder & Son Ltd., 52 Sidbury.
WORKSOP, Notts. ... ..	...	...	Gateford Motor Services, Gateford Road.
WORTHING, Sussex ... ..	...	...	F. Wheatlands, 56 Broadwater Street West.
WREXHAM, Denbigh ... ..	...	...	Border Motor & Cycle Works Ltd., 15 Town Hill.
YEOVIL, Som. ... ..	...	...	Pankhurst (Weymouth) Ltd., 25-27 Sherborne Road.
YORK ... ..	...	...	J. D. Shearsmith, 43-47 Blossom Street.

**SCOTLAND**

ABERDEEN ... ..	...	...	Geo. Cheyne (Cycles) Ltd., 147 Holburn Street.
BRECHIN, Forfar ... ..	...	...	J. Duncan & Son, 3-5 St. Mary's Street.
DUNDEE ... ..	...	...	Geo. McLean Ltd., 30 Ward Road.
DUNDEE ... ..	...	...	J. A. Rodger, 12 Tannadice Street.
EDINBURGH 1 ... ..	...	...	J. R. Alexander & Co. Ltd., 10-14 Lothian Road.
GLASGOW C.4 ... ..	...	...	J. R. Alexander & Co. Ltd., 272-286 Gt. Western Road.
KIRKCALDY, Fife ... ..	...	...	The County Motors Ltd., Junction Road.

**NORTHERN IRELAND**

BELFAST ... ..	...	...	McIntyre Bros. (Belfast) Ltd., 52-56 May Street.
----------------	-----	-----	--

**CHANNEL ISLES**

GUERNSEY ... ..	...	...	H. C. Tostevin, Grande Rue Motor & Cycle Works, St. Martins.
JERSEY ... ..	...	...	Bissons, 59 Halkett Place.

**Spares Stockists only**

LONDON W.5 ... ..	...	...	Kays of Ealing Ltd., 8-10 Bond Street, Ealing.
LONDON W.12 ... ..	...	...	Turners Stores, 81-83 Goldhawk Road, Shepherds Bush.