

**PRICE LIST
OF
SPARE PARTS
FOR
ARIEL
THE
MODERN
MOTOR CYCLE**



**FOUR CYLINDER
MODEL 4G MK.II**

PRICE CANCELLATION

Due to a number of price revisions all prices shown in this Spares List are cancelled as from 1st March 1958. Therefore revised prices listed in the Master Spare Parts Price List (No 1358) will become operative as from this date.

All proprietary parts continue to be charged at the manufacturers' current prices and revisions.

IMPORTANT

Owing to the fluctuation in cost of materials in regard to certain proprietary equipment at the present time, we are unable to give a fixed list price concerning electrical equipment.

**The Prices of
The Solex Carburetter and Fittings, Amal Handlebar Controls
and Fittings, also the Saddle and Fittings are shown at Maker's
List Price Net Retail.**

PLEASE NOTE

The Latest Retail Prices only are shown in this Spares List and therefore cancels prices shown in previous lists. Prices and Part Numbers quoted in this book are those prevailing at the time of publication, but we reserve the right to revise prices and introduce any modification deemed necessary at any time without prior notice.

1,000 c.c. MODEL 4G, MK. II

~~Price List Spares~~

PUBLISHED JANUARY 1953

by

ARIEL MOTORS LTD.

SELLY OAK BIRMINGHAM 29

Telephone: SELLY OAK 1381 Telegrams: ARIEL, SELLY OAK
Cables: ARIEL, SELLY OAK (ENGLAND)

Reprinted January 1955

SQUARE FOUR, FOUR CYLINDER MODEL, MK. II

I N D E X

	Page		Page
Air Cleaner	33	Mudguard (Front) and Fittings ..	25
Ariel Distributors and Stockists	38-44	Mudguard (Rear) and Fittings ..	28
Brake Pedal (Rear) with Rod and Fittings	27	Nuts, Washers, etc.	35
Brake Cable, etc.	27	Oil Pump	13
Carburettor Components ..	32-33	Oil Tank	29
Carrier	28	Petrol Tank and Fittings ..	26-27
Chain Covers	28-29	Pillion Footrests	28
Chains (Driving)	29	Pistons and Fittings	12
Clutch Components	15-17	Prop Stand	13
Crankcase and Fittings	11-12	Proprietary Manufacturers ..	36
Crankshaft Assembly	9	Rocker and Fittings	9
Cylinder and Fittings	7	Saddle and Fittings	31
Dual Seat	30	Shock Absorber (Engine Shaft) ..	11
Dynamo Fixings	13	Speedometer	27
Engine Plates	13	Sprockets (Engine)	11
Exhaust System	30	Stand, Rear	27
Footrests	27	Steering Head and Fittings ..	19
Frame (Rigid)	25	Steering Damper	17-19
Frame (Spring) and Components	25-26	Timing Gear	12
Front Forks	17-19	Tool Kit	31-32
Gasket Set	7	Valves and Fittings	7
Gearbox Components	14-15	Wheel and Hub, Front	19-23
Gear Cover and Fittings	12	Wheel and Hub, Rear, Rigid Frame	23-25
Handlebar Controls and Cables	31	Wheel and Hub, Rear, Spring Frame	23-25
Handlebars and Twist Grip ..	31		
Lucas Electrical Equipment ..	34		

NOTE.—The letters R/S and L/S mean the right-hand side and left-hand side respectively when the rider is on the saddle.

The letter **R** preceding the Spares Number indicates that the part is used on Rigid Frame models only. Similarly, **S** indicates Spring Frame only.

Standard nuts, washers, etc., are listed on page 35 and are not shown separately each time they occur with individual components. This avoids needless repetition.

VERY IMPORTANT

READ CAREFULLY BEFORE ORDERING SPARE PARTS

We recommend Ariel riders to obtain any spares which they may require through their local dealer. In case of difficulty, however, parts may be obtained direct from our Service Department.

NOTES ON ORDERING

Always send a Spare Parts Order on a separate sheet with name and address. Do not embody the order in a letter, although the letter and order can be sent in the same envelope. This procedure will avoid delay in the despatch of parts. **See Specimen Order Form on page 5.**

Give Spares Number and description of part. **Also quote Engine and Frame Numbers with prefix letters.** If there is any doubt concerning the part required, return the old part as pattern; this will not be returned with the new part unless asked for. The engine number and prefix letter will be found stamped upon the crankcase, drive side, immediately below the Cylinder Block. The frame number and prefix letter is stamped upon the saddle lug.

The symbols R/S or O/S and L/S or N/S indicate the right-hand side and left-hand side respectively of the machine as indicated by the rider when sitting on the saddle.

If you have an account, the goods will be despatched as soon as possible after receipt of order. If you have no account, it will facilitate despatch if remittance to cover cost of goods, postage and packing is enclosed.

If you have no account and remittance is not enclosed, we shall be pleased to despatch per C.O.D. post or send Pro Forma Invoice as instructed.

When telegraphing a money order, do not fail to give your name and address, and concise particulars of your requirements.

Goods returned must be sent carriage paid, and relatively fragile parts, such as cylinders, etc., should be very securely packed to avoid damage. Label parts returned with name and address of sender.

We are pleased to give estimates for overhauls and repairs, but cannot give firm quotations as necessities may be discovered not foreseen when estimating.

Should an estimate not be accepted, payment for dismantling and reassembling must be made.

SPECIMEN ORDER FORM

For use in Great Britain only

A clearly worded order is the best way to ensure prompt and accurate despatch of spares. We therefore suggest that orders should be made out in the following manner:

To: (Name and address of your usual dealer),

Customer's Address.

or: Ariel Motors Ltd.,

Selly Oak,

Birmingham 29.

Dear Sirs,

Kindly forward the following parts against cash (state amount) enclosed.

or Kindly forward the following parts per C.O.D. post.

or Kindly forward Pro Forma Invoice for the following:

For Model..... Year..... Engine No. and Prefix Letter.

For Model **4G 1,000 c.c.** Engine No.

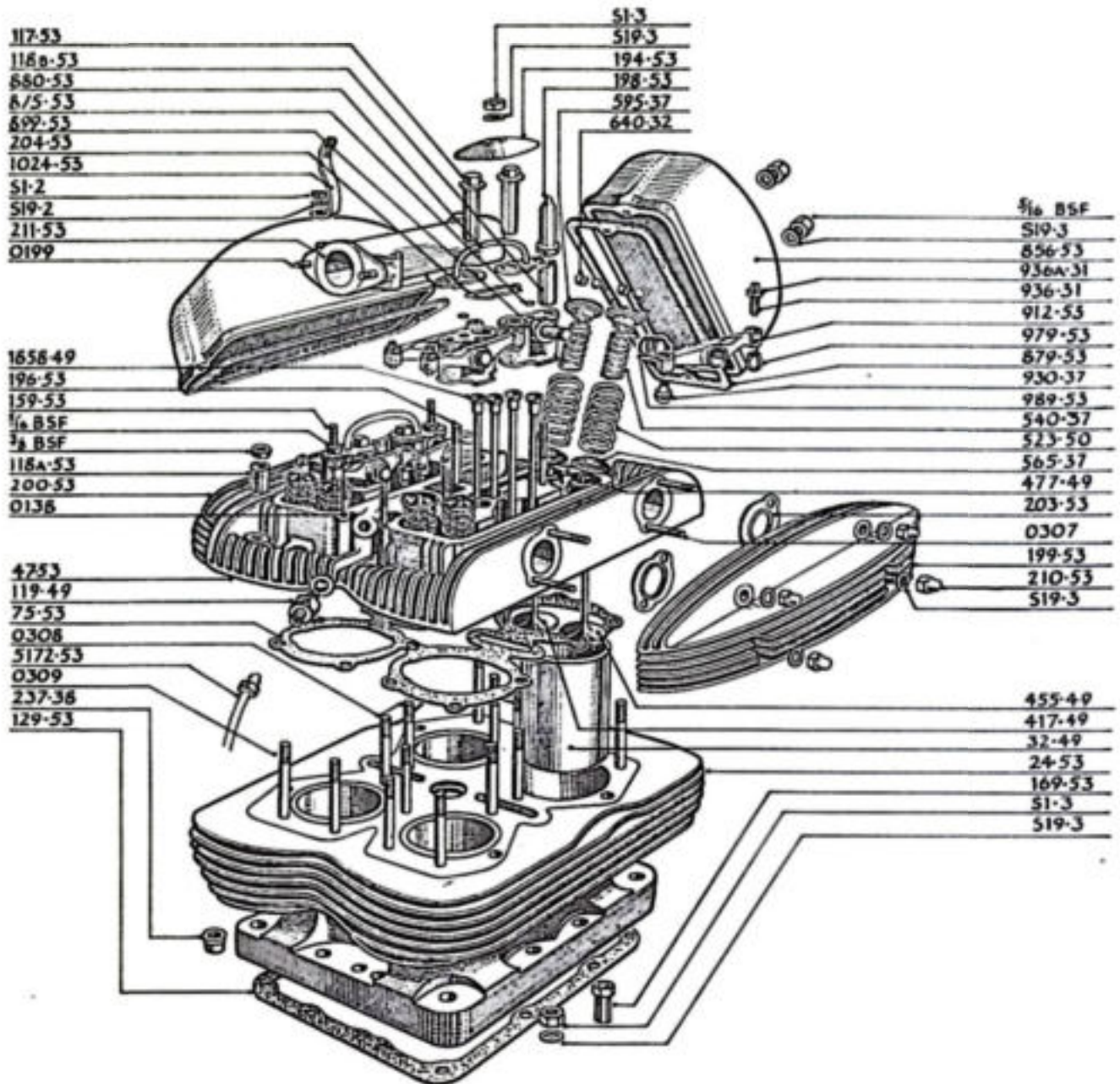
Quantity	Spares No.	Description	Price

Add 5% surcharge to net amount of Invoice to cover postage and carriage. Cases charged extra.

Total Cost

Sign your name **clearly**.

EXPLODED VIEW OF ROCKER BOX AND CYLINDER HEAD

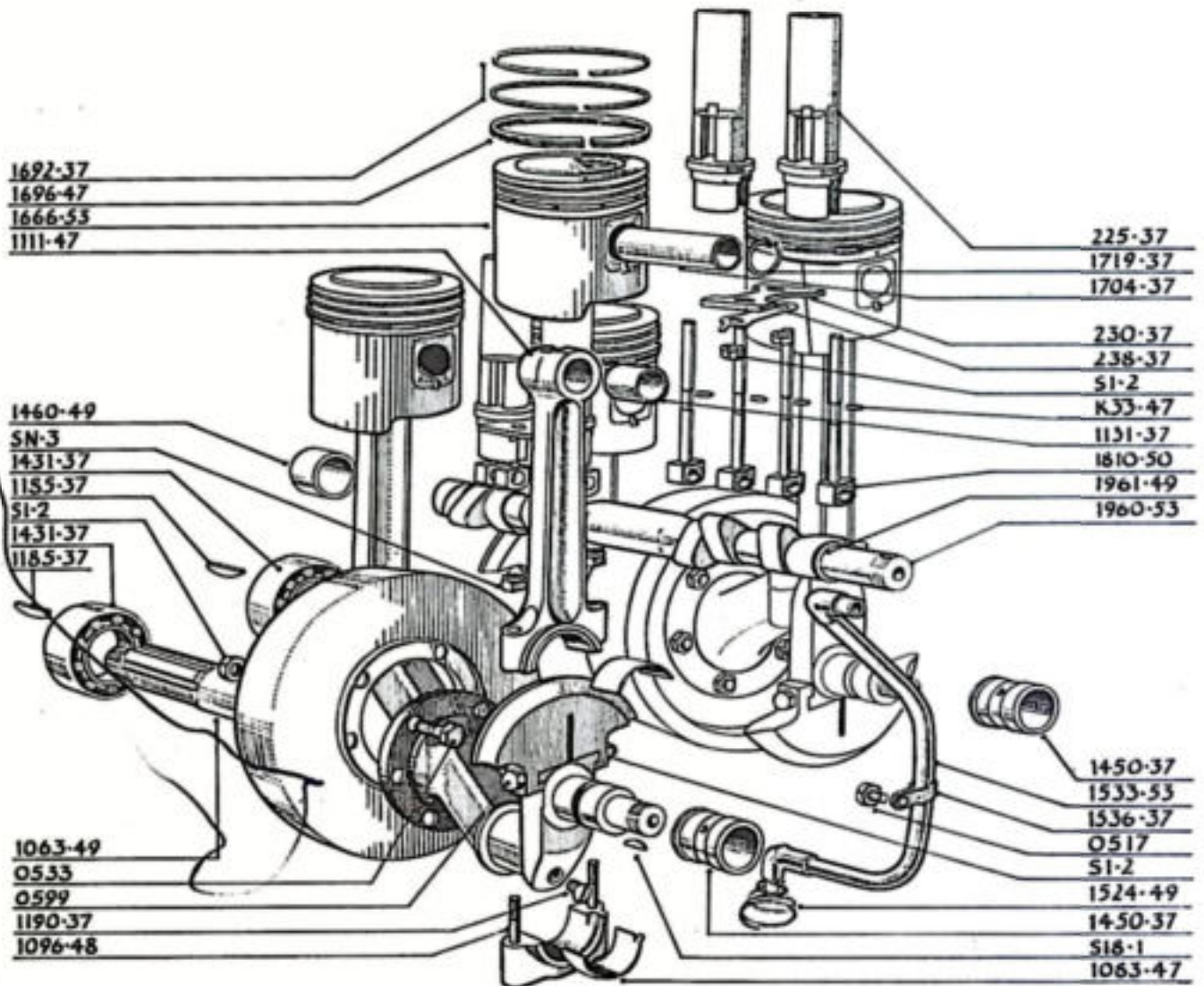


ARIEL 1,000 c.c. MODEL 4G, MK. II

Order by SPARES No.	Do not use PART No.	DESCRIPTION OF PART	No. per Set	PRICE EACH £ s. d.
CYLINDER AND FITTINGS				
24-53	ET/1444	Cylinder block with liners	1	18 5 0
32-49	ET/1331	Cylinder liner only	4	1 15 0
47-53	ET/1440	Cylinder head, less valve guides ..	1	14 8 0
75-53	ET/1471	Cylinder head gasket	2	2 6
117-53	ET/1470	Sleeve nut for cylinder head stud ..	4	2 0
118A-53	ET/1537	Distance piece for head stud (short) ..	9	6
118B-53	ET/1538	Distance piece for head stud (long) ..	1	6
119-49	ET/1376	Oil feed pipe union, screwed in cylinder head (Int. 1015-49)	2	10
129-53	ET/1487	Cylinder base washer	1	7
159-53	ET/1473	Cylinder head stud	4	10
169-53	ET/1488	Sleeve nut for cylinder block	1	1 3
194-53	ET/1480	Induction pipe clamp	1	3 0
196-53	ET/1478	Stud for induction pipe (front)	1	1 3
S19-3		Washer for S1-3 nut	1	2
S1-3		Nut for induction pipe stud (front) ..	1	2
198-53	ET/1479	Induction pipe clamp pillar	1	2 6
199-53	ET/1443	Exhaust manifold, r/side	1	2 8 0
200-53	ET/1442	Exhaust manifold, l/side	1	2 8 0
0307	ET/1483	Stud for manifold (2 $\frac{1}{16}$ in. \times $\frac{3}{8}$ in. dia. Whit. \times $\frac{1}{16}$ in. dia.)	8	1 3
203-53	ET/1484	Exhaust manifold gasket	4	1 0
204-53	ET/1485	Carburettor induction pipe joint washer ..	1	3
205-37	ET/1201	Carburettor flange washer	1	4
0199	ET/1173	Carburettor stud	2	6
S1-3		Carburettor stud nut	2	2
0138	ET/1477	Stud for induction pipe (rear)	2	1 3
S19-2		Washer for S1-2 nut	2	2
S1-2		Nut for stud No. 0138	2	2
210-53	ET/1505	Dome nut securing exhaust manifold ..	8	1 0
S19-3		Washer for dome nut No. 210-53	8	2
211-53	ET/1447	Carburettor induction pipe	1	10 6
225-37	ET/1021	Tappet guide block	4	7 0
230-37	ET/1061	Tappet guide locating plate	2	7
0134	A7/124	Stud for locating plate	4	6
238-37	ET/1178	Lockwasher for locating plate	2	3
942-48	K/108	Copper washer for oil feed pipe union ..	2	2
0308	ET/1474	Cylinder block stud, top (4 $\frac{5}{16}$ in. \times $\frac{3}{8}$ in.) ..	5	1 4
0309	ET/1475	Cylinder block stud, top (3 $\frac{21}{32}$ in. \times $\frac{3}{8}$ in.) ..	9	1 4
S1-3		Nut for cylinder block	11	2
S19-3		Washer for cylinder block	12	2
		$\frac{5}{16}$ in. B.S.F. nut	8	5
		$\frac{3}{8}$ in. B.S.F. nut for cylinder head ..	9	5
237-53	ET/1541	Nut (flanged) for cylinder head studs ..	4	6
GS101-53	COMPLETE SET ENGINE JOINT WASHERS AND GASKETS (Mark II)			14 6
VALVES AND FITTINGS				
417-49	ET/1284	Valve (inlet)	4	7 10
455-49	ET/1285	Valve (exhaust)	4	10 6
477-49	ET/1301	Valve guide	8	4 4
523-50	ET/1406	Valve spring (outer)	8	1 0
540-37	ET/1095	Valve spring (inner)	8	7
565-37	ET/1086	Bottom collar for spring	8	6
595-37	ET/1054	Top collar for spring	8	1 6
640-32	A6/549A	*Split cone (two halves)	8	1 4

*Note.—One split cone consists of two halves, thus one pair of split cones consists of two complete ones, equal to four halves or pieces.

EXPLODED VIEW OF CRANKSHAFT ASSEMBLY



ARIEL 1,000 c.c. MODEL 4G, MK. II

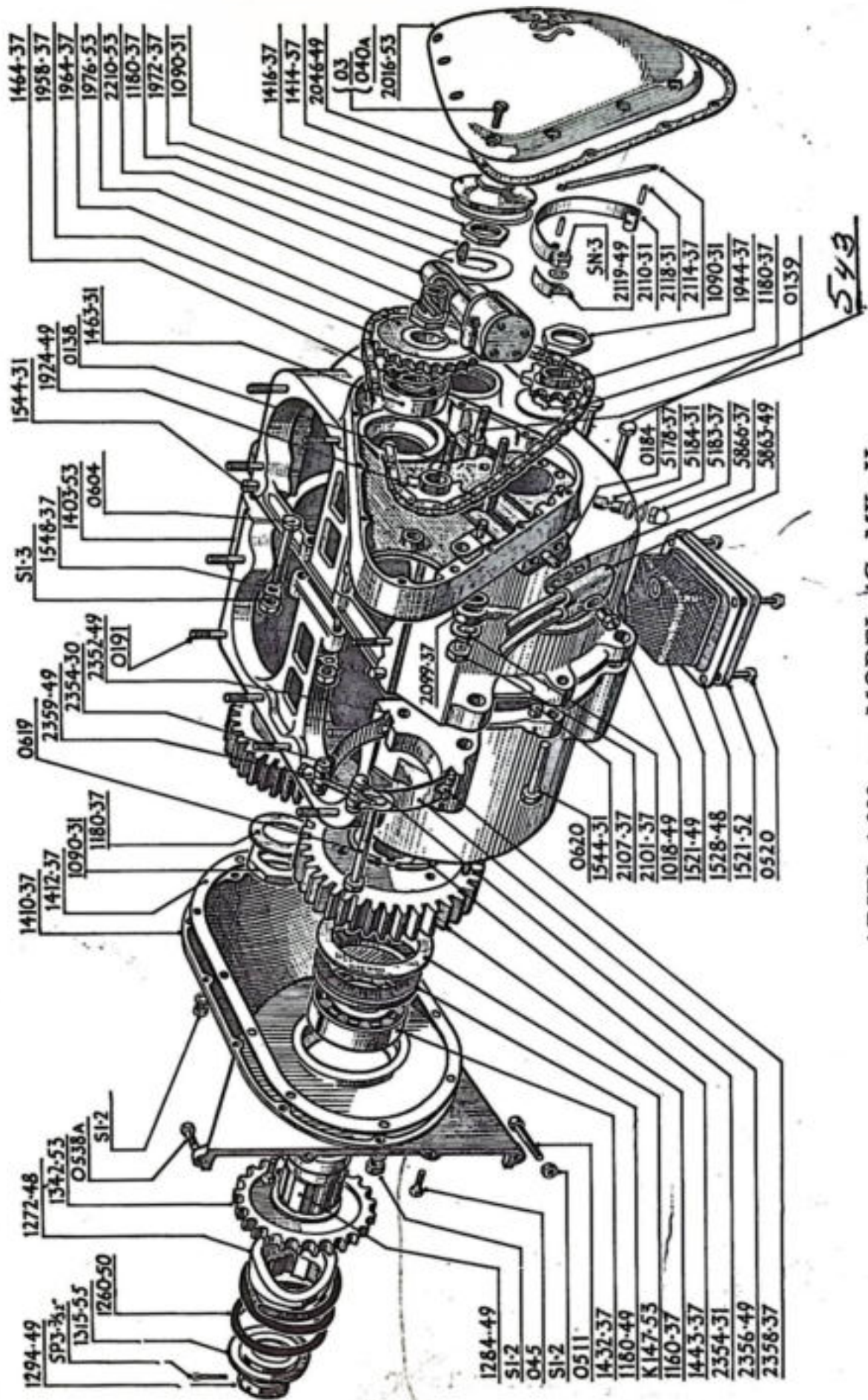
Order by SPARES No.	Do not use PART No.	DESCRIPTION OF PART	No. per Set	PRICE EACH £ s. d.
ROCKER FITTINGS				
856-53	ET/1445	Rocker cover	2	10 6
859-53	ET/1524	Peg (brass) for rocker block	4	1
859B-49	ET/1375	Peg for rocker cover	4	2
860-53	ET/1481	Extension stud for rocker cover (3 $\frac{11}{16}$ in. \times $\frac{1}{8}$ in.)	4	1 3
875-53		Rubber washer (rocker block and oil feed pipe joint)	4	1
879-53	ET/1486	Rocker cover joint washer	2	1 0
880-53	ET/1499	Rocker spindle oil feed pipe and fixing plates	2	3 6
897-53	ET/1459	Rocker spindle block	4	4 0
898-53	ET/1460	Rocker spindle	4	4 0
899-53	ET/1530	Rocker spindle and block assembly	4	8 0
912-53	ET/1506	Rocker lever (Series 'A')	8	11 3
930-37	ET/1111	Rocker lever end pin (Series 'A')	8	1 4
936-31	ET/594	Rocker adjusting screw (Series 'A')	8	10
936A-31	ET/177	Rocker adjusting screw locknut (Series 'A')	8	2
979-53	1400	Circlip (Seeger)	8	2
989-53	ET/1462	Rocker spring	8	5
1024-53	ET/1543	Cable stop bracket	1	10
S1-2		Nut for extension stud, No. 860-53	4	2
S19-2		Washer for above nut	4	2
907-53	ET/1457	Rocker lever (Series 'B')	8	11 3
909-53	ET/1463	Rocker adjusting ball end pin (Series 'B')	8	1 0
936-53	ET/1464	Rocker adjusting ball end pin locknut (Series 'B')	8	3

Note.—Parts listed as Series 'A' are as illustrated on exploded view of cylinder head and rocker assembly. See also Part No. 1858-53, push rods.

CRANKSHAFT ASSEMBLY

1062-49	ET/1008A	Front crankshaft c/w flywheel and balance weight	1	9 12 6
1063-49	ET/1007A	Rear crankshaft c/w flywheel and balance weight	1	11 7 6
0599	A6/529	Bolt securing balance weight	4	1 3
S1-3		Nut for bolt, No. 0599	4	2
0533	FL/348	Bolt securing flywheel	12	5
S1-2		Nut for bolt, No. 0533	12	2
1083-47	K/140	Connecting rod bearing (2 halves; 8 halves per set) price per half	—	5 3
1090-31	A7/116	Nut for crankshaft ($\frac{3}{8}$ in. \times 20 T.P.I.)	3	1 4
1096-48	K/138	Big end bolt	8	1 6
SN-3		Big end bolt nut	8	5
1111-47	ET/1287	Connecting rod only (fitted with 2 bolts, nuts and small end bush)	4	2 6 3
1131-37	ET/1115	Small end bush	4	2 8
1160-37	ET/1017C	Crankshaft coupling gear (with fibre insert)	2	3 18 9
1162-37	ET/1119	Fibre insert only	2	2 0
1164-37	ET/1140	Rivet for insert price per set of	8	6
1180-37	ET/1088	Oil seal washer for crankshaft	3	9
1180-49	ET/1379	Rubber oil seal	1	2 4
1185-37	ET/1070	Key for coupling gear	2	1 0
1190-37	ET/1120	Oil passage plug (crankshaft)	4	6
K115A-48	K115A	Shim for crankshaft (.002 in.) as reqd.	—	2
K115B-48	K115B	Shim for crankshaft (.004 in.) as reqd.	—	3
K115C-48	K115C	Shim for crankshaft (.006 in.) as reqd.	—	3
K147-53		Washer for oil seal	1	6

EXPLODED VIEW OF CRANKCASE, OIL PUMP AND SHOCK ABSORBER ASSEMBLY



ARIEL 1,000 c.c. MODEL AG, MK. II

Order by SPARES No.	Do not use PART No.	DESCRIPTION OF PART	No. per Set	PRICE EACH £ s. d.
SHOCK ABSORBER AND ENGINE SPROCKET				
1260-50	K/113B	Spring	1 ..	2 6
1272-48	K/119	Sliding member	1 ..	13 0
1284-49	ET/1321	Sleeve (splined) for shock absorber ..	1 ..	13 3
1294-49	ET/1322	Sleeve nut	1 ..	2 2
1315-53	ET/1536	Spring retainer	1 ..	2 9
SP-3/32		$\frac{3}{16}$ in. split pin	1 ..	1
1338-49	ET/1332	Engine sprocket, 22T	1 ..	1 2 9
1339-49	ET/1320	Engine sprocket, 23T	1 ..	1 3 6
1340-49	ET/1333	Engine sprocket, 24T	1 ..	1 4 6
1341-49	ET/1334	Engine sprocket, 25T	1 ..	1 5 3
1342-53	ET/1368	Engine sprocket, 26T	1 ..	1 6 0

CRANKCASE AND FITTINGS

1403-53	ET/1448/9	Crankcase, 2 halves only, with studs and dowels, less other fittings	1 ..	12 10 0
1403C-53	ET/1448/9	Crankcase, 2 halves, fitted with studs, dowels, bushes, roller and ball bearings ..	1 ..	17 7 0
1410-37	ET/1004	Cover for crankshaft coupling gears ..	1 ..	2 12 6
1412-37	ET/1131	Joint washer for cover (paper)	1 ..	3
0133	ET/1072	Stud for main gear cover ($\frac{1}{4}$ in. \times $1\frac{1}{8}$ in.)	2 ..	2
0134	A7/124	Stud for main gear cover ($\frac{1}{4}$ in. \times $1\frac{1}{8}$ in.)	5 ..	6
045	ET/1108	Countersunk screw for gear cover ($\frac{1}{4}$ in. \times $\frac{1}{8}$ in.)	2 ..	6
1414-37	ET/1128	Bearing cap for front crankshaft	1 ..	2 6
1416-37	ET/1228	Washer for cap	1 ..	5
1431-37	ET/1180	Roller bearing (lipped), 1.125 in. bore in crankcase	2 ..	1 6 8
1432-37	ET/1181	Roller bearing (lipped), 1.124 in. bore in gear cover	1 ..	1 6 8
1443-37	ET/1116	Circlip for roller bearing	2 ..	9
1450-37	ET/1018	Main bush (white metal lined)	2 ..	9 0
1460-49	ET/1370	Camshaft bush	1 ..	5 3
1463-31		Ball bearing for camshaft	1 ..	14 3
1464-37	ET/69	Circlip for camshaft ball bearing	1 ..	7
0191	ET/194	Stud for cylinder base ($\frac{1}{8}$ in. \times $1\frac{1}{8}$ in.)	12 ..	6
1521-52	K/207	Crankcase sump cover	1 ..	2 6
1521-49	ET/1330	Gauze for oil sump	1 ..	5 3
0520	A6/501	Oil sump set pin ($\frac{1}{4}$ in. \times $\frac{1}{8}$ in.)	4 ..	6
1524-49	ET/1389	Spring for sump	1 ..	5
1528-48	K/117	Washer (joint) for sump cover	1 ..	7
1533-53	ET/1498C	Oil return pipe and elbows	1 ..	7 0
1536-37	ET/1091	Oil return pipe clip	1 ..	3
0517	A6/636	Oil return pipe bolt ($\frac{1}{4}$ in. \times $\frac{1}{8}$ in.)	1 ..	5
1544-31	ET/568	Dowel for cylinder base; also between 2 halves of crankcase	4 ..	9
1545-37	ET/1048	Dowel in crankcase for coupling gear cover	2 ..	6
0604	ET/579	Bolt for crankcase ($\frac{1}{8}$ in. \times $1\frac{1}{8}$ in.)	2 ..	7
0619	ET/1047	Bolt for crankcase, top. ($\frac{1}{8}$ in. \times $2\frac{1}{8}$ in.)	1 ..	9
0543	ET/1365	Bolt for crankcase ($\frac{1}{4}$ in. \times $1\frac{1}{8}$ in.)	4 ..	7
0620	ET/1163	Bolt for crankcase ($\frac{1}{8}$ in. \times $1\frac{1}{8}$ in.)	1 ..	7
0184	A6/381	Stud for oil pipe adaptor	1 ..	5
1018-49	ET/1384	Sleeve nut (oil pipe adaptor)	1 ..	10
1548-37	ET/1233	Tab washer for crankcase bridge bolts ..	2 ..	2
2092-49	ET/1394	Washer for dynamo	1 ..	3
2358-50	ET/1308	Stud for dynamo	1 ..	5

Order by SPARES No.	Do not use PART No.	DESCRIPTION OF PART	No. per Set	PRICE EACH £ s. d.
5172-53		Oil pipe assembly with unions complete to rockers	1 ..	14 0
5178-37	ET/1079	Oil stud for lower connection to crankcase	1 ..	1 9
5183-37	E9/243	Oil pipe swivel piece cap nut	1 ..	1 0
5184-31	ET/643	Fibre washer	2 ..	2

PISTONS AND FITTINGS

1666C-53	ET/1509C	Piston c/w rings, gudgeon pin and circlips (compression ratio 7-2)	4 ..	2 1 0
1666-53	ET/1509	Piston only (compression ratio 7-2)	4 ..	1 8 0
1692-37	ET/1117	Piston ring (compression)	8 ..	2 2
1696-47	ET/1282	Piston ring (oil control)	4 ..	3 6
1704-37	ET/1019	Gudgeon pin	4 ..	5 3
1719-37	ET/1109	Gudgeon pin circlip	8 ..	2

TIMING GEAR

1810-50	ET/1307A	Tappet only	8 ..	5 3
1858-49	ET/1312	Push rod with cupped top end (Series 'A')	8 ..	5 3
1858-53	ET/1465	Push rod with cupped top end (Series 'B')	8 ..	5 3
1861-37	ET/1114	Push rod, cupped end only	8 ..	2 6
K33-47	K/33	Circlip	8 ..	2
1924-49	ET/1339	Dynamo sprocket	1 ..	11 3
1944-37	ET/1042	Crankshaft timing sprocket	1 ..	13 0
S18-1		Key for timing sprocket	1 ..	5
1958-37		Timing chain ($\frac{3}{8}$ in. \times $\frac{7}{16}$ in. \times 67 pitches) ..	1 ..	10 6
1960-53	ET/1539	Camshaft	1 ..	3 19 6
1961-49	ET/1242	Collar for camshaft	1 ..	10
1964-37	ET/1022	Camshaft sprocket	1 ..	1 1 9
1972-37	ET/1071	Camshaft sprocket key	1 ..	10
1976-53	ET/1491	Camshaft worm gear	1 ..	7 6

TIMING GEAR COVER AND FITTINGS

2016-53	ET/1451	Timing chain cover	1 ..	1 3 0
2046-49	ET/1351	Cover joint washer	1 ..	5
03	A7/121	Cheese-head screw for cover ($\frac{1}{4}$ in. \times $\frac{11}{16}$ in. \times 20 T.P.I.)	9 ..	7
040A	ET/1337	Cheese-head screw for cover ($\frac{1}{4}$ in. \times $1\frac{1}{2}$ in. \times 20 T.P.I.)	2 ..	1 0
2048-53	E9/1482	Fibre washer for screws	11 ..	1
2099-37	ET/1193C	Breather pipe with swivel piece	1 ..	4 4
2101-37	A6/58	Fibre washer	2 ..	2
2106-37	ET/1191	Breather swivel piece	1 ..	2 6
2107-37	ET/1192	Breather union only	1 ..	4 4
2110-31	ET/549	Tensioner blade	1 ..	10
2114-37	ET/1096	Tensioner spring	1 ..	10
2118-31	ET/573	Tensioner pin	2 ..	1
2119-49	ET/1344	Stop for tensioner blade	1 ..	10
SN-3		Nut for tensioner stop	1 ..	5
2121-49	ET/1383	Washer for nut, No. SN-3	1 ..	2
0203	ET/1382	Stud for tensioner adjuster	1 ..	5

Order by SPARES No.	Do not use PART No.	DESCRIPTION OF PART	No. per Set	PRICE EACH £ s. d.
OIL PUMP				
S2210-53E		Oil pump complete, in exchange for original pump (Factory Exchange Service)	1 ..	2 10 0
2210-53		Oil pump complete	1 ..	3 15 10
2212-53	67/1382	Oil pump body only	1 ..	18 0
2226-53	ET/1452	Oil pump driving spindle housing	.. 1 ..	16 0
047	ET/1497	Oil pump fixing screw 4 ..	7
2227-53	67/1391	Oil pump end plate 1 ..	2 0
2228-53	ET/1490	Oil pump driving spindle 1 ..	7 0
2230-53	67/1383	Oil pump feed gear (driver) 1 ..	6 0
2231-53	67/1384	Oil pump feed gear (driven) 1 ..	5 3
2232-53	67/1385	Oil pump scavenging gear (driver) 1 ..	5 3
2233-53	67/1386	Oil pump scavenging gear (driven) 1 ..	5 3
2240-53	67/1387	Oil pump driven gears spindle 1 ..	6 0
0138	ET/1477	Oil pump fixing (2 $\frac{1}{8}$ in. \times $\frac{1}{4}$ in. Whit. \times $\frac{1}{4}$ in. B.S.F.) 2 ..	1 3
0139	ET/1542	Oil pump fixing stud (1 $\frac{1}{8}$ in. \times $\frac{1}{4}$ in. Whit. \times $\frac{1}{4}$ in. B.S.F.) 1 ..	1 3
2241-53	A10/95	Piston, oil release valve 1 ..	1 0
2242-53	A10/96	Spring, oil release valve 1 ..	6
2243-53	A10/97	Cup, oil release valve 1 ..	5
2244-53	A10/98	Circlip, oil release valve 1 ..	5
		Split pin 1 ..	1
2245-53	S/173	Thrust washer (driving spindle housing) 1 ..	2
2246-53	67/1390	Spring ring (driving spindle housing) 1 ..	2
SP1/4		$\frac{1}{4}$ in. Simmond's pinnacle nut for pump fixing stud 3 ..	3

ENGINE AND GEARBOX PLATES AND FITTINGS FOR DYNAMO FIXING

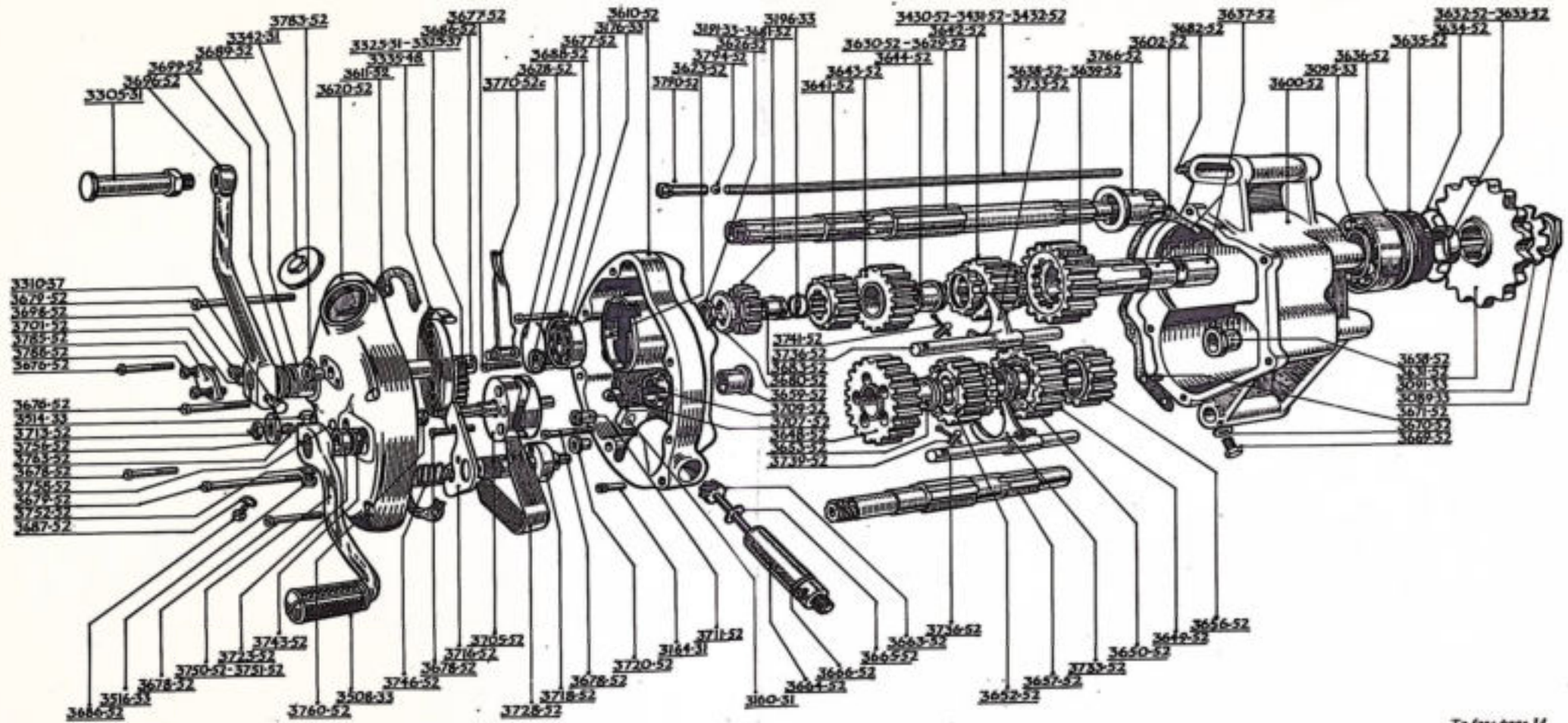
2300-37	ET/1150	Front engine plate 2 ..	7 9
2307-37	ET/1151	Gearbox plate, R/S 1 ..	11 3
2308-37	ET/1152A	Gearbox plate, L.S 1 ..	11 3
0910	E9/97	Gearbox plate fixing bolt ($\frac{1}{2}$ in. \times 4 in. \times 20)	2 ..	3 0
2330-29	E8/560	Draw bolt for chain adjustment 1 ..	1 0
2336-35	E9/547	Draw bolt adjuster nut 1 ..	1 0
2352-49	ET/1340	Pin for dynamo strap 2 ..	2
2354-30	E8/1024	Swivel pin (plain) 1 ..	10
2354-31	ET/618	Swivel pin (tapped) 1 ..	10
2356-49	ET/1335	Dynamo strap 2 ..	3 0
2358-37	ET/1049	Anchor pin for dynamo strap 2 ..	10
2359-49	ET/1336	Dynamo strap bolt 1 ..	10
2382-33	E9/371	Gearbox pivot bolt, below box ($\frac{1}{2}$ in. \times 4 $\frac{1}{2}$ in.)	1 ..	3 0
2383-37	ET/1063	Special nut for gearbox clamp bolt ($\frac{1}{2}$ in. \times 20)	1 ..	10
0917	E9/413	Gearbox clamp bolt, above box ($\frac{1}{2}$ in. \times 4 $\frac{1}{2}$ in.)	1 ..	3 0
0299	ET/380	Stud (special) for oil tank fixing $\frac{3}{8}$ in. \times $\frac{3}{8}$ in. overall 1 ..	5
0403	ET/837	Tie bolt ($\frac{7}{16}$ in. \times 4 $\frac{1}{2}$ in. \times 26) 2 ..	1 4
0278	E8/410	Tie bolt ($\frac{3}{8}$ in. \times 4 $\frac{1}{2}$ in.) 3 ..	1 4
0302	ET/1062	Tie bolt ($\frac{3}{8}$ in. \times 4 $\frac{1}{2}$ in.) 1 ..	1 4
0289	A6/849	Tie bolt ($\frac{3}{8}$ in. \times 4 $\frac{1}{2}$ in.) 1 ..	1 4

PROP STAND

2450C-53		Prop stand complete 1 ..	1 1 0
2461-52	E9/1375	Prop stand spring 1 ..	1 0

Order by SPARES No.	Do not use PART No.	DESCRIPTION OF PART	No. per Set	PRICE EACH £ s. d.
GEARBOX PARTS (GB7)				
Makers of Gearbox: Messrs. BURMAN & SONS LTD., Wychall Lane, Kings Norton, Birmingham 30				
3600-52	G-1-5	Gearbox shell only	1	2 5 0
3602-52	G-5-7	Gearbox joint washer	1	1
3610-52	G-2-4	Kick-starter case	1	1 5 0
3611-52	G-5-8	Kick-starter case joint washer	1	1
3620-52	G-3-4	Kick-starter case cover	1	1 5 0
3623-52	28-12-19	Kick-starter case cover locating piece	1	1 6
3626-52	11-7-10	Mainshaft nut (K.S. end)	1	6
3176-33	38-7-1	Mainshaft bearing	1	18 9
3628-52	31-11-1	Bearing retaining ring for mainshaft bearing	1	6
3629-52	G-18-6	Mainshaft	1	1 7 6
3631-52	G-31-5	Driving sprocket ($\frac{5}{8}$ in. \times $\frac{3}{8}$ in.), 19T	1	1 2 6
3633-52	28-12-40	Sprocket spacing collar	1	1 6
3095-33	38-11-1	Driving gear bearing	1	1 2 6
3634-52	31-12-2	Bearing retaining ring (split)	1	6
3635-52	27-12-2	Driving gear oil seal	1	4 6
3636-52	39-12-1	Driving gear oil seal housing	1	2 6
3089-33	11-11-1	Driving gear nut	1	2 7
3091-33	12-11-1	Driving gear nut lock washer	1	9
3637-52	19-8-13	Driving gear bush price per set of 2	2	6 0
3639-52	G-6-6	Driving gear with bush, 28T	1	2 8 0
3641-52	G-12-2	First gear (mainshaft), 17T	1	15 0
3642-52	G-10-2	Second gear (mainshaft), 22T	1	1 18 6
3643-52	G-8-1	Third gear (mainshaft), 25T	1	1 1 0
3644-52	19-8-15	Third gear mainshaft bush	1	5 0
3648-52	G-13-2	First gear (layshaft), 29T	1	1 1 0
3649-52	G-11-2	Second gear (layshaft), 24T	1	1 1 0
3650-52	19-8-15	Second gear layshaft bush	1	5 0
3652-52	G-9-1	Third gear (layshaft), 21T	1	1 18 6
3653-52	19-8-14	First gear layshaft bush	1	5 0
3656-52	G-7-2	Layshaft pinion, 18T	1	15 0
3657-52	G-19-4	Layshaft	1	1 10 0
3658-52	20-7-1	Layshaft bush (clutch end)	1	6 0
3659-52	20-7-3	Layshaft bush (K.S. end)	1	6 0
3660-52	35-1-2	Layshaft bush dowel	2	2
3661-52	12-8-8	Layshaft cover washer	1	4
3663-52	G-55-1	Speedometer spindle	1	15 0
3664-52	19-3-1	Speedometer spindle bush	1	10 0
3665-52	12-3-6	Speedometer thrust washer	1	4
3160-31	40-1-1	Speedometer location button	1	9
3666-52	27-6-2	Speedometer spindle bush oil seal	1	4
3164-31	26-3-1	Speedometer spindle bush grub screw	1	2
3342-31	247X	Gearbox filler plug	1	2 3
3669-52	21-7-5	Gearbox drain plug	1	9
3670-52	12-7-6	Gearbox drain plug washer	1	1
3671-52	35-3-2	Gearbox and K.S. case dowel	1	4
3676-52	14-2-3	Screw, K.S. cover to K.S. case	1	6
3677-52	14-2-4	Screw, K.S. case to gearbox	2	9
3678-52	14-2-5	Screw, K.S. case to gearbox and K.S. cover to K.S. case	4	9
3679-52	14-2-6	Screw, K.S. cover to gearbox	2	1 0
3682-52	35-3-5	Gearbox adjuster pivot pin	1	6
3342-52	21-5-1	Oil level plug	1	9
3687-52	12-5-4	Oil level plug washer	1	1
3068-50	11-7-1	Mainshaft nut (clutch end)	1	9
3070-50	12-7-9	Mainshaft nut lock washer (clutch end)	1	9

EXPLODED VIEW OF GB7 GEARBOX PARTS. ARIEL 1,000 c.c. MODEL 4G, MK. II



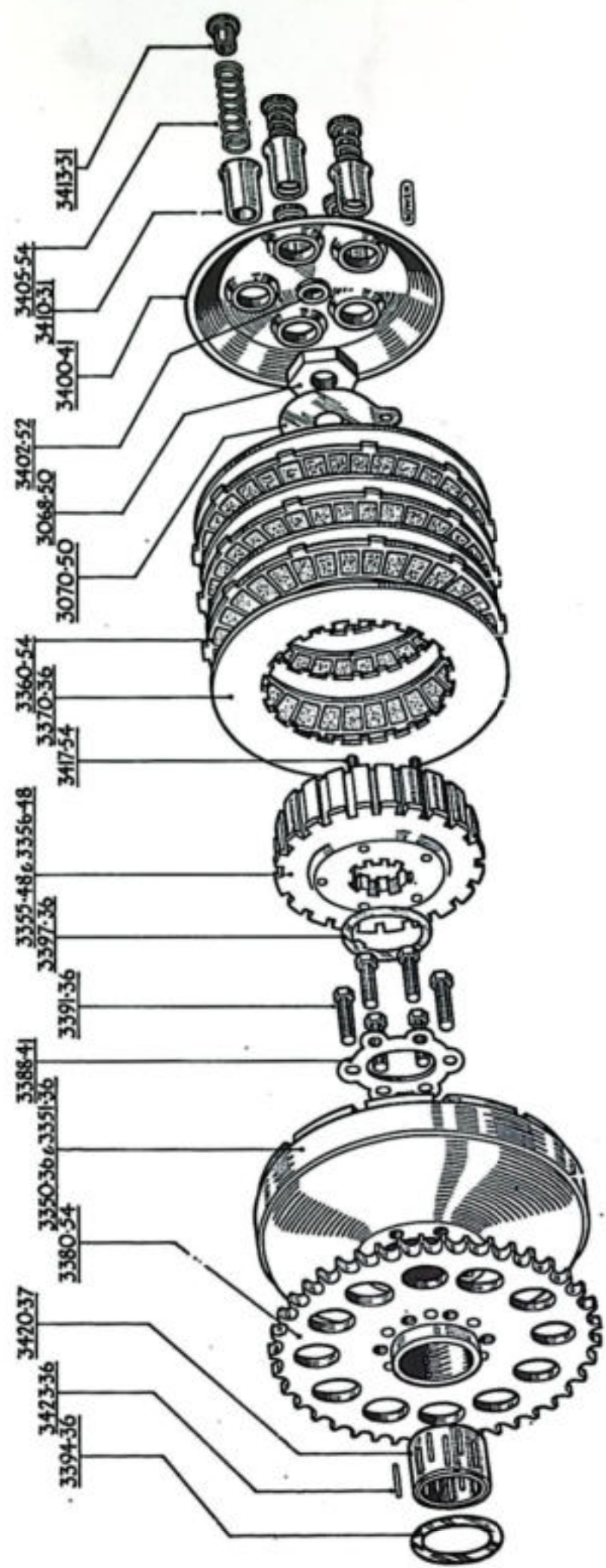
To face page 14

Order by SPARES No.	Do not use PART No.	DESCRIPTION OF PART	No. per Set	PRICE EACH		
				£	s.	d.
3675-52	35-1-1	Dowel, K.S. case cover locating piece	2			3
3680-52	G-21-2	Driving ratchet	1	8		8
3681-52	G-20-2	Ratchet pinion	1	12		0
3196-33	36-8-2	Ratchet pinion spring	1	3		9
3683-52	19-7-3	Ratchet pinion bush	1	1		1
3325-37	G-22-2	Kick-starter quadrant	1	15		9
3686-52	G-23-1	Kick-starter quadrant spindle	1	11		3
3688-52	20-7-2	Kick-starter spindle bush (inner)	1	3		0
3689-52	20-8-14	Kick-starter spindle bush (outer)	1	3		0
3335-48	38-8-1	Kick-starter spring	1	4		0
3690-52	35-2-1	Kick-starter spring pin	1			6
3696-52	G-43-7	Kick-starter lever	1	15		9
3305-31	G-45-1	Kick-starter lever pedal	1	4		6
3307-35	E9/562	Kick-starter lever pedal rubber	1	1		1
3310-37	10-4-1	Kick-starter lever pinch bolt	1	1		1
3698-52	11-4-1	Kick-starter lever pinch bolt nut	1			9
3699-52	27-7-5	Kick-starter spindle oil seal	1	3		6
3701-52	12-4-1	Kick-starter lever bolt washer	1			2
3705-52		Cam assembly	1	1	10	0
3707-52	G-42-1	Cam plunger	1	2		0
3709-52	36-2-1	Cam plunger spring	1			6
3711-52	20-4-1	Cam spindle bush (inner)	1	2		6
3713-52	11-2-3	Cam spindle nut, retaining indicator	1			3
3716-52	G-25-2	Quadrant and drive peg for control spindle	1	7		9
3718-52	G-24-2	Quadrant spindle	1	12		6
3720-52	20-3-1	Quadrant spindle bush (inner)	1	1		6
3723-52	20-8-9	Quadrant spindle bush (outer)	1	2		6
3725-52	12-5-2	Quadrant spindle cover washer	1			1
3728-52	36-11-1	Main return spring for control quadrant	1	2		0
3733-52	G-29-2	Selector fork	2	10		0
3736-52	G-30-2	Selector fork spindle	2	7		6
3738-52	12-7-4	Selector spindle cover washer	2			3
3739-52	35-3-1	Selector spindle peg	4			6
3741-52	16-1-4	Selector spindle cotter pin	4			1
3743-52	27-7-4	Selector spindle oil seal	1			4
3746-52	36-8-3	Return spring (secondary, coil)	1			6
3751-52	G-44-7	Foot change lever	1	11		3
3514-33	10-2-2	Foot change lever bolt	1	1	10	
3516-33	11-2-1	Foot change lever bolt nut	1			3
3752-52	12-2-1	Foot change lever bolt nut washer	1			1
3508-33	G-48-1	Foot change lever rubber pad	1	1		1
3756-52	G-47-1	Foot change indicator	1			9
3758-52	27-4-2	Foot change indicator oil seal	1			3
3760-52	20-4-2	Cam spindle bush (outer)	1	2		0
3763-52	36-4-1	Indicator oil seal spring	1			3
3766-52	G-35-5	Mainshaft sleeve	1	17		0
3770G-52	G-33-2C	Clutch operating lever and adjusting screw jaw joint, complete	1	5		6
3783-52	11-3-2	Clutch operating lever adjusting sleeve	1			9
3785-52	32-7-1	Adjusting sleeve cap	1	2		3
3788-52	14-2-9	Adjusting sleeve cap screw	2			9
3790-52	G-54-2	Clutch operating plunger	1			9
3794-52	17-3-2	Clutch operating plunger ball, $\frac{5}{16}$ in.	1			1

CLUTCH PARTS—GB7 GEARBOX

3350-36	G-36-9	Clutch case (three-plate)	1	19		6
3355-48	G-37-8	Clutch centre (three-plate)	1	1	8	6
3360-50	G-40-7	Clutch plate, fitted neoprene inserts	3	9		0

EXPLODED VIEW OF CLUTCH PARTS (GB7 GEARBOX). ARIEL 1,000 c.c. MODEL 4G, MK. II

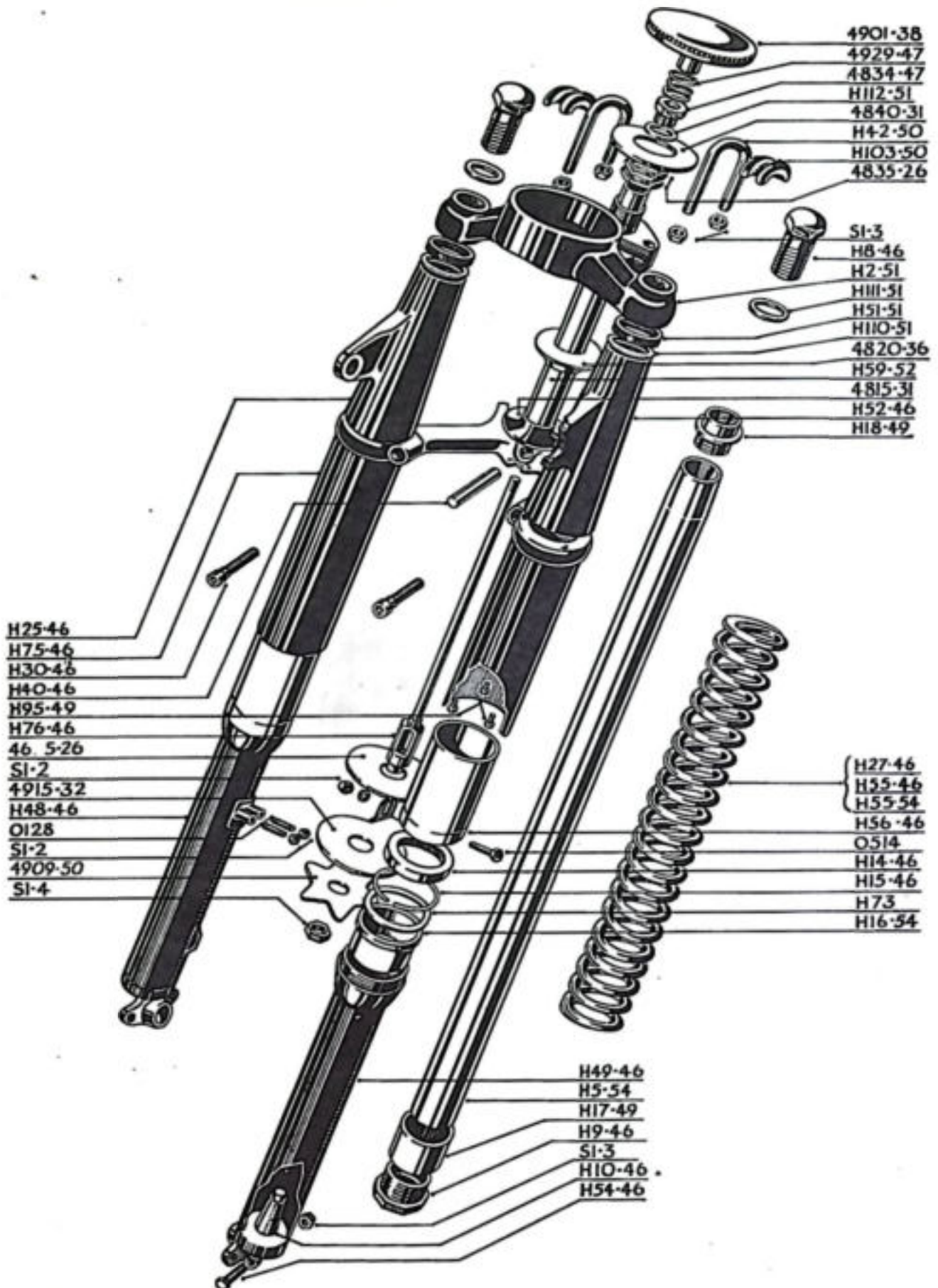


Order by SPARES No.	Do not use PART No.	DESCRIPTION OF PART	No. per Set	PRICE EACH £ s. d.
3365-50	84/2Q	Clutch plate inserts (neoprene)		
		price per doz.	- ..	1 1
3370-36	G-39-5	Clutch plain plate	4 ..	3 9
3380-36	G-34-5	Chain wheel (½ in. × .305 in. × 44T)	1 ..	1 19 0
3388-41	12-12-6	Chain wheel set pin lockwasher ..	1 ..	4
3391-36	10-2-4	Chain wheel set pin	6 ..	4
3394-36	12-11-7	Thrust washer, inner (plain) ..	1 ..	1 1
3397-36	12-11-8	Thrust washer, outer (keyed) ..	1 ..	1 1
3400-41	G-38-3	Clutch spring plate	1 ..	11 3
3402-52	40-7-2	Clutch spring plate thrust cup ..	1 ..	6
3405-50	21X/M4	Clutch spring	5 ..	9
3410-31	G-42-2	Clutch spring cup	5 ..	9
3413-31	11-2-2	Clutch spring adjusting nut ..	5 ..	6
3417-36		Clutch spring stud (three-plate) ..	5 ..	6
3420-37	G-53-1	Needle roller cage	1 ..	2 7
3423-36	18-1-1	Needle rollers price per set of 12	12 ..	2 3
3432-32	37-3-2	Clutch operating rod	1 ..	1 6

TELESCOPIC FORK ASSEMBLY AND ALL FITTINGS

Tele-52		Fork assembly complete	1 ..	18 12 6
H2-51	H/107	Handlebar bracket	1 ..	1 5 0
H5-49	H/94	Fork shaft	2 ..	1 16 9
H8-46		Shaft head nut	2 ..	3 0
H9-46		Plug for shaft (bottom)	2 ..	1 4
H10-46		Stop pin	2 ..	2 0
H14-46		Oil seal	2 ..	3 0
H15-46		Circlip	2 ..	4
H16-49	H/16A	Top bearing (bronze)	2 ..	8 0
H17-49	H/17A	Lower bearing (bronze)	2 ..	9 3
H18-49	H/90	Plug for H5 (top)	2 ..	3 0
H25-46		Top cover and headlamp bracket, R/S ..	1 ..	13 3
H30-46		Bolt for crown	2 ..	1 0
H40-46		Fork crown pin	1 ..	6
H42-50	H/42A	Handlebar shackle	2 ..	3 0
H48-46		Sliding tube, R/S assembly	1 ..	2 18 9
H49-46		Sliding tube, L/S assembly	1 ..	2 17 0
H51-51	H/108	Rubber washer	2 ..	4
H52-46		Top cover and headlamp bracket, L/S ..	1 ..	13 3
H54-46		Bolt for fork end	1 ..	7
S1-3		Nut for fork end bolt	1 ..	2
		Washer for fork end bolt	1 ..	1
H55-46		Spring (red spot)		
		overall length 9½ in. to 9¾ in. ..	2 ..	6 2
H55-53	H/139	Spring, heavy duty (sidecar)	2 ..	7 0
H56-46		Oil seal holder complete	2 ..	9 6
H59-52	H/91A	Steering column complete with crown ..	1 ..	3 1 3
H73A	H/73A	Shim (top bearing and circlip), .010 in. as reqd. - ..		3
H73B	H/73B	Shim (top bearing and circlip), .020 in. as reqd. - ..		3
H73C	H/73C	Shim (top bearing and circlip), .030 in. as reqd. - ..		4
H75-46		Bottom cover and plate assembly	2 ..	8 9
081	E8/492	Screw for bottom cover plate	6 ..	2
		Spring washer for 081 per set of 6	6 ..	3
H76-46		Damper bolt assembly	1 ..	5 0
H93-49		Distance piece for headlamp fixing ..	2 ..	5
H103-50		Liner for handlebar shackle	2 ..	2 0

FRONT FORK ASSEMBLY



Order by SPARES No.	Do not use PART No.	DESCRIPTION OF PART	No. per Set	PRICE EACH £ s. d.
S1-3		Nut for handlebar shackle	4 ..	2
S19-3		Washer for handlebar shackle	4 ..	2
H110-51		Washer for H51	2 ..	5
H111-51		Washer for fork shaft head nut	2 ..	5
H112-51		Washer for steering column (top)	1 ..	5
H113-51		Washer for steering column (bottom)	1 ..	5
0128	A6/84	Stud for centre stay	4 ..	5
0590	E8/548	Bolt for headlamp fixing	2 ..	9
4167-47	C20/22	Cable adjuster (front brake)	1 ..	1 2
4168-47	C20/23	Adjuster locknut	1 ..	6
4749-47	C20/26	Brake stop lug	1 ..	1 4
N1/4S		Brake stop lug nut	1 ..	3
H113-53	28/5338	Washer for lower bearing	2 ..	4

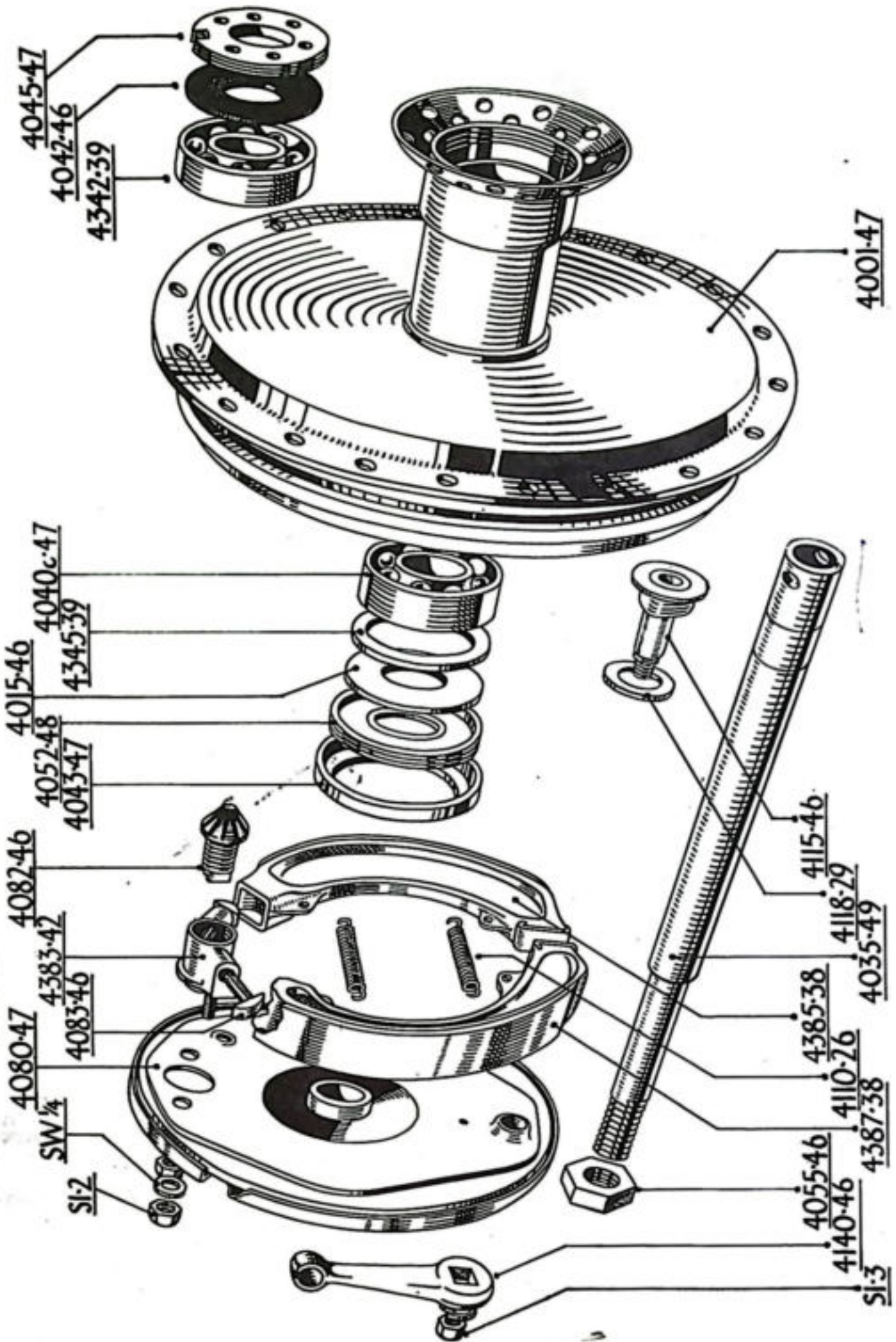
STEERING HEAD FITTINGS

4815-31	D10/3	Steering crown ball race	1 ..	4 4
4818-31	D10/2	Head clip ball race	1 ..	4 4
4820-36	D10/137	Outer race (head lug)	2 ..	4 4
S9-2		½ in. dia. steel balls price per set of 40 ..		2 2
4834-52	H/41A	Steering column plug	1 ..	2 7
4835-26	D8/21	Nut for steering column	2 ..	1 4
4838-31	D10/7	Felt washer	2 ..	7
4840-31	D10/8	Dust cover	1 ..	5
4842-32	E9/310	Cable clip (on head lug)	2 ..	3
081	E8/492	Screw for cable clip	2 ..	2
4901-38	D10/141C	Steering damper knob	1 ..	6 0
4905-26	D9/19	Locknut (damper)	1 ..	4
4909-50	D10/136A	Star washer	1 ..	10
4915-32	E9/157	Anchor plate	1 ..	4 4
4929-47	D10/276	Spring for damper knob	1 ..	6
4665-26	D8/26	Friction disc	1 ..	1 2
0514	E8/390	Bolt for anchor plate	1 ..	7
S1-2		Nut for 0514 bolt	1 ..	2
P6		Nipple for head lug	2 ..	5

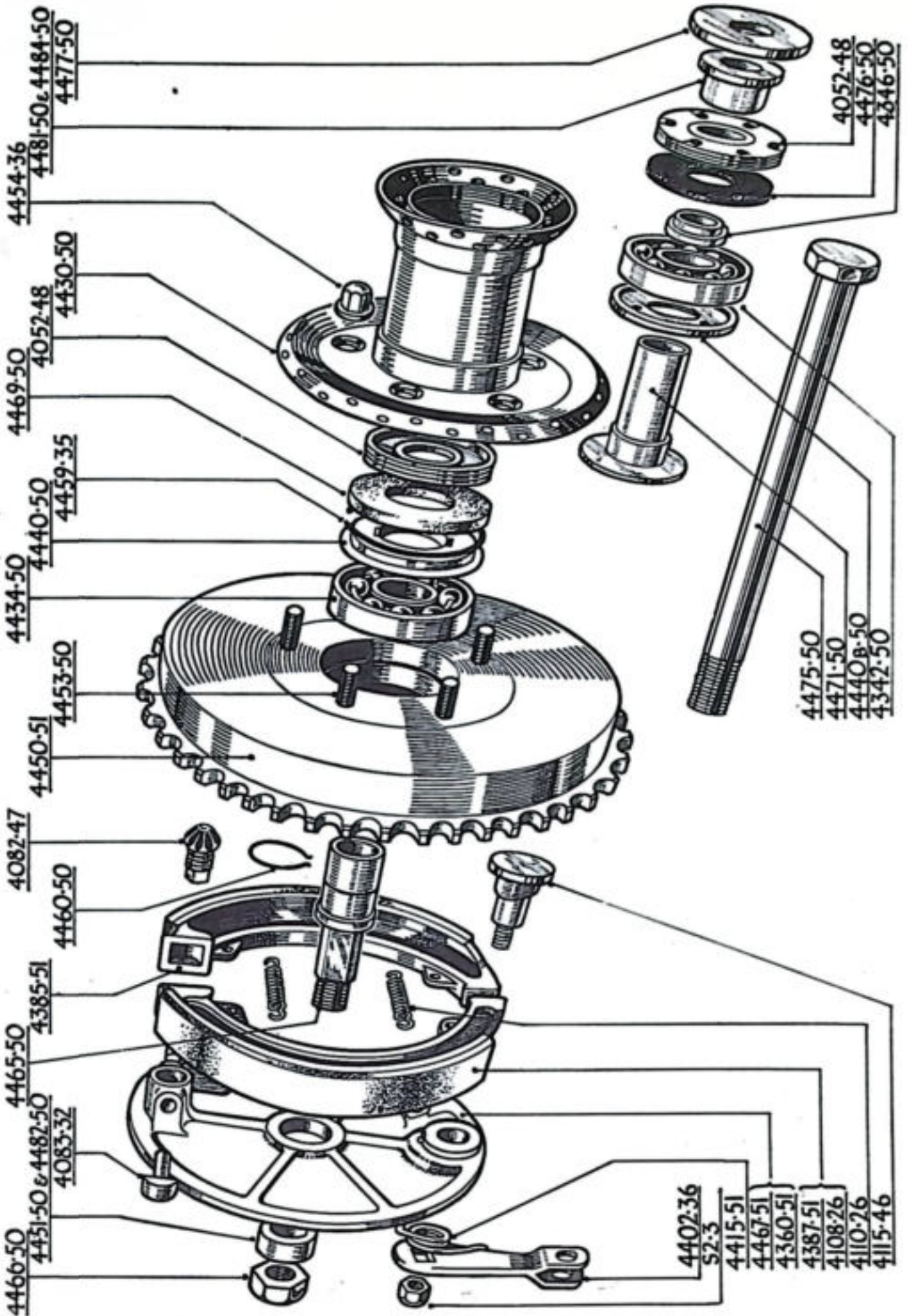
FRONT WHEEL ASSEMBLY AND FITTINGS

4000-50C	C20/35	Wheel, complete bearings, spindle, and brake parts, less tyre (blue and chrome finish)	1 ..	9 8 0
4001-47	C20/35	Hub and brake drum assembly	1 ..	2 12 6
4002-47B	C20-35	Hub, rim and spokes only, built up	1 ..	5 5 0
4015-46	C20/24	Oil retaining washer, R/S	1 ..	6
4035-49	C20/45	Hub spindle	1 ..	7 9
4040C-47	C20/38	Ball bearing and sleeve, assembled, R/S	1 ..	16 9
4042-46	C20/25	Oil retaining washer, L/S	1 ..	6
4043-47	C20/20	Locking ring cover	1 ..	7
4045-47	C20/6	Locking ring, L/S	1 ..	3 0
4052-48	C20/18	Locking ring, R/S	1 ..	3 0
4055-46	C20/17	Hub spindle nut	1 ..	1 0
4080-47	C20/37	Brake plate with fixed fittings	1 ..	13 0
4082-46	C20/32	Brake wedge	1 ..	3 6
4083-46	C20/31	Brake wedge spindle	2 ..	1 9
4108-26	C13/24	Rivet for brake lining price per set of 12 ..		6
4110-26	C13/5	Brake shoe return spring	2 ..	5
4115-46	C20/11	Brake cam	1 ..	4 4
4118-29	C13/66	Washer for brake cam	2 ..	2
4140-46	C20/13	Brake lever	1 ..	5 6

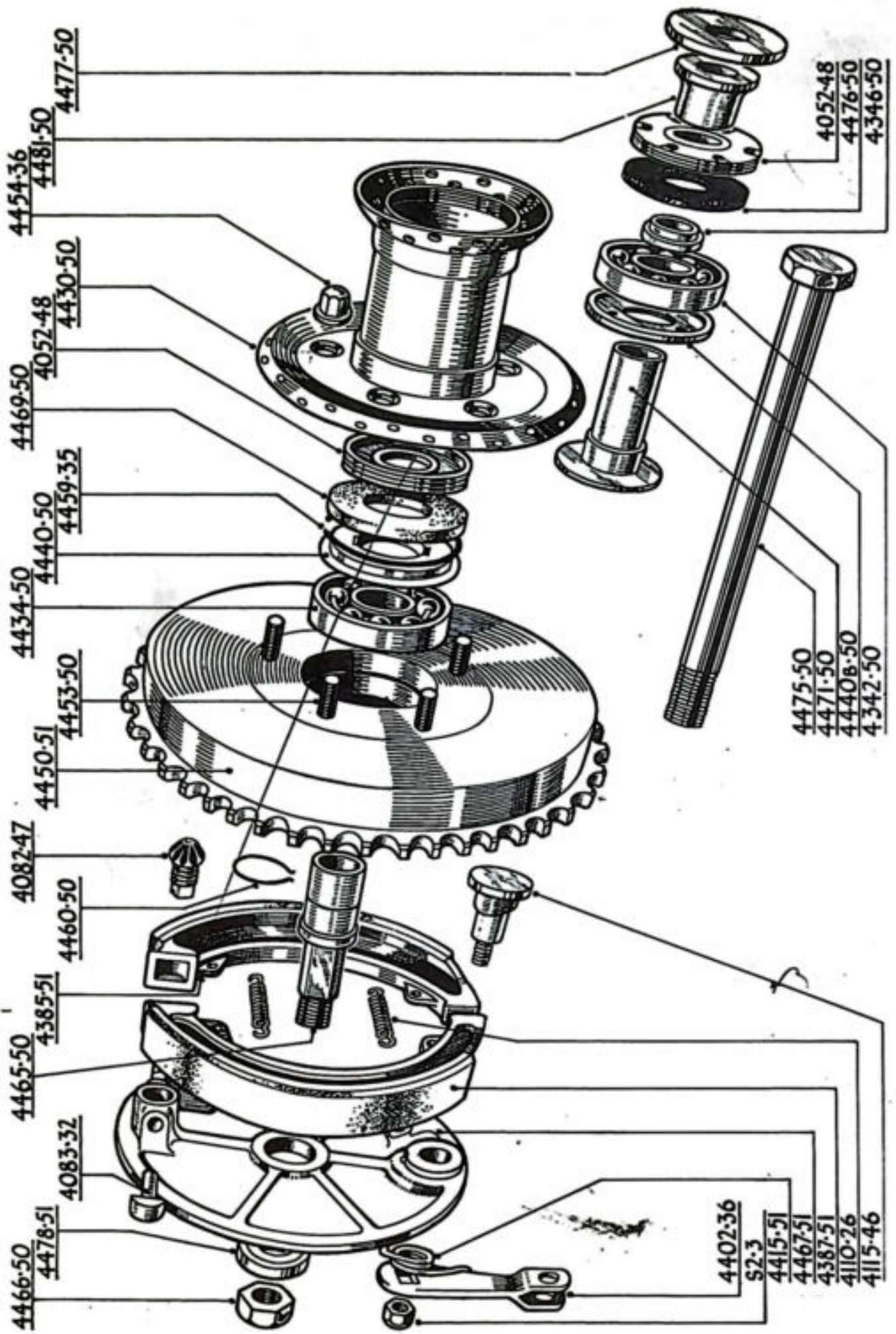
EXPLODED VIEW OF FRONT WHEEL HUB ASSEMBLY



DETACHABLE REAR WHEEL HUB ASSEMBLY (RIGID FRAME)



DETACHABLE REAR WHEEL HUB ASSEMBLY (SPRING FRAME)

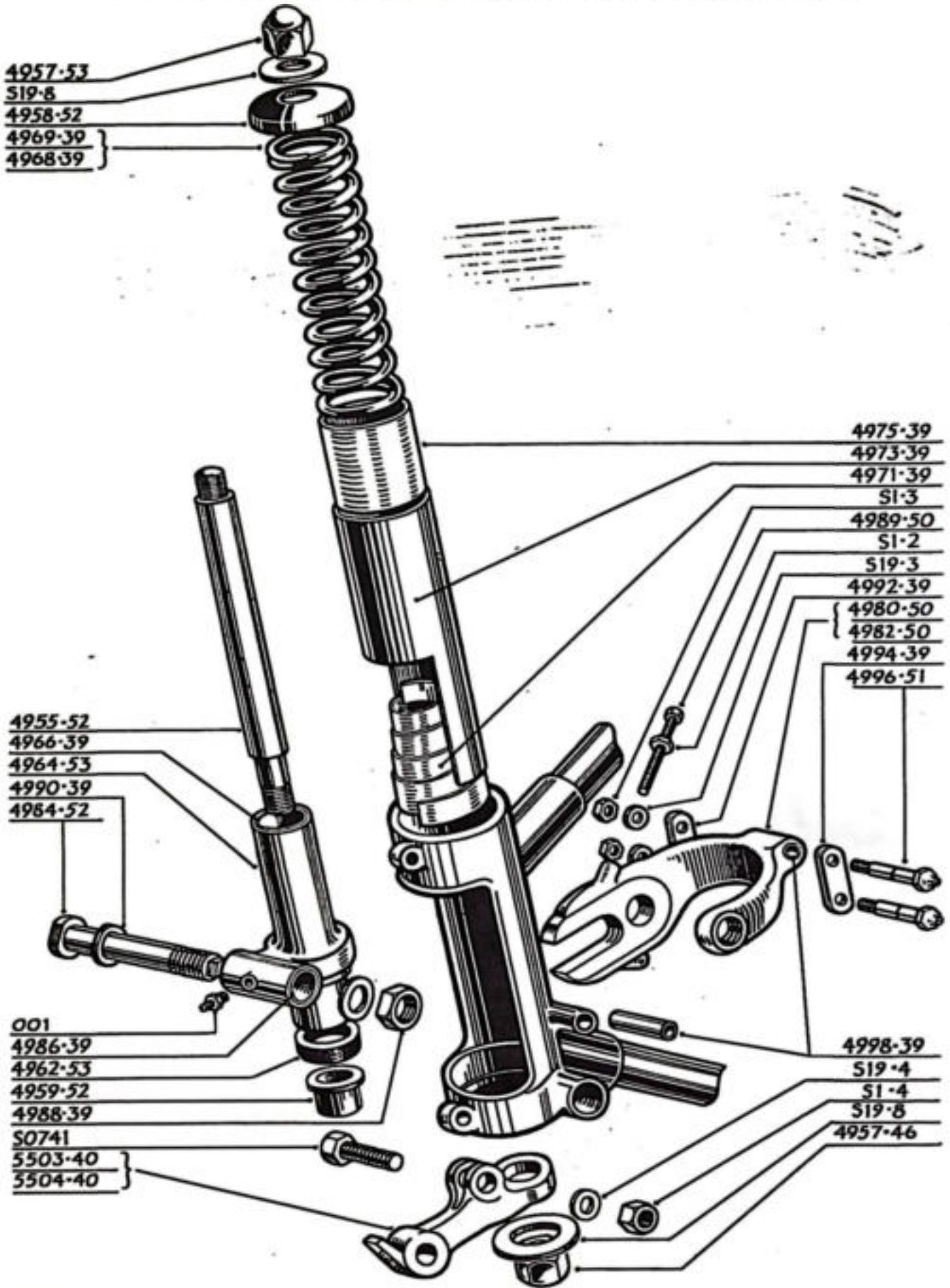


Order by SPARES No.	Do not use PART No.	DESCRIPTION OF PART	No. per Set	PRICE EACH £ s. d.
4342-39	MS/8	Ball bearing only, L/S	1	15 0
4383-44	C15/23B	Brake wedge holder	1	4 4
4385-38	C15/97	Brake shoe with lining	2	12 10
4387-38	C15/104	Brake shoe lining c/w rivets price per pair		15 4
C20-30-46	C20/30	Spring clip (brake cam)	1	5
0625	C20/29	Bolt for brake anchorage	1	7
		$\frac{1}{8}$ in. shakeproof washer for 0625	1	1
S1-3		Nut for brake lever	1	2
WM2-19		Rim only, 40 hole, 3.25 x 19 tyre (finished blue and chrome)	1	1 11 0
4540-46		Set spokes and nipples .. price per set of 40		13 6
4532-46	DW/118	Spoke and nipple (flange side), 8 $\frac{1}{2}$ in. x 10G, plain, 135° (WM2-19 rim)	20	5
4541-46	C20/28	Spoke and nipple (brake side), 6 $\frac{1}{2}$ in. x 10G, plain, 80° (WM2-19 rim)	20	5
5187-37	A7/453	Nut for wedge holder	2	7

DETACHABLE REAR WHEEL

4428-53C		Detachable wheel c/w brake parts, sprocket and all fittings, etc., less tyre (state if for rigid frame or spring frame). Rim: blue and chrome finish	1	13 10 0
4428-51B		Detachable wheel only, comprising hub, bearing, locking ring and grease retainers etc., rim and spokes built up. Rim: blue and chrome finish	1	5 1 0
4052-48	C20/18	Locking ring	2	3 0
4082-47	DW/91	Brake fulcrum adjusting wedge	1	3 6
4083-32	C15/24	Wedge spindle	2	2 0
4108-26	C13/24	Brake lining rivet price per set of 16		6
4110-26	C13/5	Brake shoe return spring	2	5
4115-46	C20/11	Brake cam	1	4 4
4118-29	C13/66	Brake cam washer	1	2
4342-50		Ball bearing for hub, R/S, $\frac{3}{4}$ in. bore	1	15 0
4346-50	DW/104	Collar for ball race, R/S	1	9
R4360-51	C15/215	Brake plate c/w cam bearing (rigid frame)	1	15 0
4385-51	C15/213	Brake shoe half c/w lining	2	15 2
4387-51	C15/216	Brake lining c/w rivets (MR41) price per pair		18 6
R4402-36	C15/83	Brake cam lever, for brake rod	1	4 4
S4402-43	E9/1471	Brake cam lever for brake cable	1	4 4
R4415-51	C15/214	Spring for brake lever	1	6
S4415-53	E9/1479	Spring for brake lever	1	6
4430-50	DW/116	Hub assembly only, less brake drum	1	1 16 0
4434-50		Ball bearing, L/S, 1 in. bore	1	16 2
4440-50	DW/100	Grease retainer (large)	1	6
4440B-50	DW/101	Grease retainer (small)	1	9
4450-51	C15/211	Brake drum and chain wheel c/w studs	1	2 16 0
4453-50	C15/93A	Brake drum drive stud	5	10
4454-36	C15/92	Brake drum drive stud nut	5	2 6
4459-35	A7/500	Circlip (large)	1	6
4460-50	DW/103	Circlip for fixed spindle	1	3
4465-50	DW/102	Fixed spindle	1	10 0
4465-53	DW/102A	Fixed spindle, $\frac{3}{4}$ in. x 20T	1	10 0
4466-50	DW/109	Fixed spindle locknut ($\frac{3}{4}$ in. x 12T)	1	1 0
4466-53	DW/109A	Fixed spindle locknut ($\frac{3}{4}$ in. x 20T)	1	1 0
S4467-53	C15/212A	Brake plate c/w cam bearing and brake adjuster lug (spring frame)	1	16 6

EXPLODED VIEW OF SPRING FRAME ASSEMBLY



Order by SPARES No.	Do not use PART No.	DESCRIPTION OF PART	No. per Set	PRICE EACH £ s. d.
4469-50	DW/108	Grease retaining washer (cork)	1 6
4471-50	DW/96C	Distance tube and retaining sleeve	1 ..	2 6
4475-50	DW/98	Spindle bolt ($\frac{3}{4}$ in. \times 12T)	1 ..	8 6
4475-53	DW/98A	Spindle bolt ($\frac{3}{4}$ in. \times 20T)	1 ..	8 6
4476-50	DW/112	Grease retaining washer (rubber) next locking ring	1 4
4477-50	DW/106	Spindle bolt distance collar, spring frame rigid frame	2 .. 1 ..	1 0 1 0
S4478-51	DW/121	Distance piece, L/S	1 ..	1 0
4481-50	DW/105	Butted slip collar	1 ..	2 6
R4482-50	DW/114	Spindle distance collar, L/S	1 ..	1 0
WM3-18	WM3-18	Rim (4.00 in. \times 18 in.), 40 hole, blue and chrome, white lined	1 ..	1 11 0
4519-50		Nipple for spokes	40 2
4521-50	DW/119	Spokes, brake side (4.00 in. \times 18 in. rim), $6\frac{1}{2}$ in. \times 8-10G, butted 135°	20 3
4522-50	DW/120	Spokes, flange side, $8\frac{1}{2}$ in. \times 10G \times 135°	20 3
4469-53		Shakeproof washer for fixed spindle lock- nut and spindle bolt	2 3
4525-50		Set of spokes and nipples for QD rear wheel price per set of 40	13 6
R0742	C15/218	Bolt for rear brake plate anchorage	1 9
		$\frac{3}{4}$ in. B.S.F. nut for R0742 bolt	1 4
003		Angle grease nipple ($\frac{1}{4}$ in. \times 26 T.P.I.)	1 10

(R) For rigid frame (S) For spring frame

FRONT MUDGUARD AND STAND FITTINGS

4702-51	H/120	Mudguard, plain, c/w centre fixing bracket	1 ..	1 7 6
4711-51	H/122	Mudguard stay, for plain guard	2 3 0
4714-51	H/123	Mudguard stay, for valanced guard	2 3 0
4734-51	H/121	Mudguard, valanced, c/w centre fixing bracket	1 ..	1 15 0
4730-47	H/47	Front stand	1 ..	13 0
4733-26	D9/34	Bolt for stand	2 7
4741-28	D9/101	Nut, locking stand	1 7
4743-53	H/137	Moulding for front number plate	1 6
4745-53	H/129	Front number plate	1 ..	6 0
4746-52	H/128	Cable clip	1 5
09	K/365	Cable clip screw	1 3
0564	D9/102	Bolt, locking stand	1 7
S1-2		Nut for number plate	2 2
S19-2		Washer for number plate	4 2
0510	E1/60	Bolt, mudguard stay	3 7
S1-2		Nut for stay bolts	3 2
S1-1		Nut for 09 screw	1 1

RIGID FRAME

R4952-53		Frame only, less all loose fittings	- ..	18 0 0
----------	--	---	------	--------

SPRING FRAME

4954-53		Frame only (spring type), with head races, less all fittings	- ..	21 10 0
4954C-53		Frame (spring type) c/w head races and rear suspension complete	- ..	35 11 6
4955-52	E9/1345	Centre spindle	2 7 6
4958-52	E9/1346	Cap for frame lug	2 1 9

Order by SPARES No.	Do not use PART No.	DESCRIPTION OF PART	No. per Set	PRICE EACH		
				£	s.	d.
4959-52	E9/1349	Bush (flanged) for frame lug	2	2	0	0
4957-53	E9/1455	Domed nut for centre spindle	2	2	6	0
4957-46	C20/17	Nut for centre spindle (bottom) (Int. 4055-46)	2	1	0	0
S19-8		Washer for 4957-46 nut	4			2
4962-53	E9/1429	Washer (rubber) for centre spindle	2			5
4964-53	E9/1315	Sliding member c/w bushes	2	1	15	3
4966-39	E9/700	Sliding member bush	4	4	0	0
4969-39	E9/756	Main spring (top), .312 in. dia. wire	2	6	0	0
4971-39	E9/757	Recoil spring (bottom)	2	6	6	0
4973-39	E9/716	Main dust cover	2	8	0	0
4975-39	E9/729A	Cupped dust cover	2	3	6	0
4980-50	E9/1247	Stirrup arm and peg, R/S	1	1	8	0
4982-50	E9/1246	Stirrup arm and peg, L/S	1	1	8	0
4984-52	E9/701A	Stirrup arm bolt	2	7	0	0
4986-39	E9/669	Stirrup bolt bush	4	4	6	0
4988-39	E9/714	Stirrup bolt locknut	2	1	0	0
4989-50	E9/1220	Rear chain adjuster bolt	2			10
S1-2		Rear chain adjuster bolt locknut	2			2
4990-39	E9/715	Stirrup bolt adjuster washer	4			3
4992-39	E9/708	Connecting link ($\frac{1}{8}$ in. hole)	2	3	9	0
4994-39	E9/709	Connecting link ($\frac{3}{8}$ in. hole)	2	3	9	0
4996-51	E9/710A	Connecting link bolt ($1\frac{1}{8}$ in. long \times $\frac{1}{8}$ in. thread)	4	3	9	0
4998-39	E9/711	Connecting link bolt bush	4	2	0	0
001		Grease nipple for sliding member ($\frac{1}{4}$ in. \times 26 threads)	2			5

PETROL TANK AND FITTINGS

5003-53	ET/1507	Petrol tank only, less fittings (finish: blue, chrome and white lined), 5 gallon capacity	1	10	10	0
5003C-53	ET/1507	Petrol tank complete with fittings (finish: blue, chrome and white lined), 5 gallon capacity	1	13	4	0
5004-34	E9/487	Ariel name plate	2	5	0	0
5004B-51	E9/1385	Ariel name plate motif	2	6	3	0
099A	E9/1354A	Screw for name plate .. price per set of 4	4			5
5012C-30	E8/995C	Petrol filler cap complete	1	7	0	0
5012-30	E8/995	Petrol filler cap with anti-splash and washer	1	3	8	0
5020-30	E8/1090C	Petrol filler cap screw	1	2	7	0
5023-29	E8/632	Petrol filler cap screw leather washer ($\frac{3}{8}$ in. O.D.)	1			4
5023-30	E8/991	Petrol filler cap screw leather washer ($\frac{5}{8}$ in. O.D.)	1			4
5025-29	E8/629	Petrol filler cap washer	1			7
5027-30	E8/986	Petrol filler cap locking cam	1	1	4	0
5028-30	E8/992	Petrol filler cap locking cam locknut	2			2
5050-37		Petrol tap, 2-level, and strainer, large bore	1	9	0	0
5052-30		Petrol tap cork for 2-level tap	2			3
5054-27	E8/403	Petrol tap washer	2			5
0574	E8/245	Tank fixing bolt ($1\frac{1}{8}$ in. \times $\frac{1}{8}$ in. dia.)	2			10
0579	E9/462	Tank fixing bolt ($\frac{1}{8}$ in. \times $1\frac{1}{8}$ in. \times 18 T.P.I.)	2			10
5058-26	E8/68	Tank fixing bolt steel washer	4			5
5061-37	ET/1098	Tank fixing bolt rubber washer, $\frac{1}{2}$ in. thick	4			5
5060-27	E8/247	Tank fixing bolt rubber washer, $\frac{3}{8}$ in. thick	4			7
-5074-51	ET/1430	Petrol pipe complete (flexible)	1	9	6	0

Order by SPARES No.	Do not use PART No.	DESCRIPTION OF PART	No. per Set	PRICE EACH		
				£	s.	d.
5082-37	E9/635	Knee grip, R/S	1	5	3	
5083-37	E9/636	Knee grip, L/S	1	5	3	
5085-37	E9/637	Knee grip plate, R/S	1	1	6	
5086-37	E9/638	Knee grip plate, L/S	1	1	6	
0513	E8/294	Knee grip plate securing bolt	4			5
5898-30	E8/1150	Drain plug	1			10
5899-30	A6/646	Drain plug washer	1			2

SPEEDOMETER

Makers: Messrs. S. SMITH (MA) LTD.,
Cricklewood, London

5202-50		Chronometric speedometer head only, 180 k.p.h.	-	3	10	0
5203-50		Chronometric speedometer head only, 120 m.p.h.	-	3	10	0
5213-51	H/109	Strap for speedometer head	1			0
5226-52		Flexible chronometric driving cable and case	1	1	2	6
5231-52		Flexible chronometric type driving cable, inner flex only	1			11 3
5236-52		Flexible chronometric type driving cable, outer flex only	1			11 3

FOOTREST, BRAKE CABLE, ROD, PEDAL AND REAR STAND

5376-53	E9/1493A	Footrest support and stop peg, L/S (Series 'B')	1			6 0
5375-29	E8/665A	Footrest support, L/S (Series 'A')	1			6 0
5375-46	ET/918A	Footrest support, R/S	1			6 0
5383-46	E9/1081	Footrest, R/S and L/S	2			6 0
0405	ET/899	Footrest rod ($\frac{1}{16}$ in. \times 10 $\frac{1}{8}$ in.)	1			2 6
5385-48	E9/1075	Footrest distance tube	1			8
S5385-33	ET/857	Distance tube (Series 'A')	1			6
5392-52	E9/1378	Footrest rubber pad	2			2 6
R5399-51	E9/1223A	Brake pedal (rigid frame)	1			15 0
S5399-50	E9/1221	Brake pedal (spring frame)	1			15 0
5413-51	E9/580A	Brake pedal spindle	1			6 0
S2-6		Brake pedal spindle securing nut	1			4
R5426-50	ET/1403	Brake rod	1			4 6
S5428-53	E9/1474	Brake cable c/w cover and jaw joint	1			6 0
R5430-36	E8/206A	Brake rod jaw joint (front end)	1			1 6
S48-2		Brake rod jaw joint swivel pin	1			5
S5433-53	ET/1502	Brake cable jaw joint swivel pin	1			9
S17-1		Split pin for jaw joint swivel pin	1			1
S5434-53	E9/1472	Brake cable adjuster	1			1 6
R5435-31	C15/18	Brake rod adjusting nut	1			1 3
R5435-52	C15/225	Nut for brake rod	1			4
R5436-36	C15/89	Brake rod adjusting nut sleeve	1			1 3
5437-36	C15/84	Brake rod swivel pin for brake lever	1			9
S5435-53	E9/645A	Locknut for cable adjuster, No. S5434-53	1			7
R5500-36		Rear stand	1	1	10	6
S5500-40	E9/857	Rear stand	1	1	10	6
S5503-40	E9/848	Rear stand bracket, R/S	1			8 9
S5504-40	E9/849	Rear stand bracket, L/S	1			8 9
S5505-26	E1/58	Rear stand bolt	2			10

Order by SPARES No.	Do not use PART No.	DESCRIPTION OF PART	No. per Set	PRICE EACH £ s. d.
R5505-26	E1/58	Rear stand bolt, R/S	1 ..	10
R5507-36	E9/603	Rear stand bolt, L/S	1 ..	1 6
S6-6		Rear stand bolt, Thackery washer ..	1 ..	2
5510-30	E8/908	Rear stand spring	1 ..	3 6
S0741	E9/850	Rear stand bracket bolt	2 ..	10
S5659-40	E9/855	Spring anchorage nut	1 ..	5
S6-6		Rear stand bolt, Thackery washer (spring frame)	2 ..	2

(R) For rigid frame (S) For spring frame

PILLION FOOTRESTS

5540-36C		Pillion footrests complete ..	price per pair ..	18 3
5541-32	E9/345	Pillion footrest rubber pad ..	2 ..	2 6

REAR MUDGUARD AND CARRIER

R5575-51	E9/1286	Mudguard	1 ..	1 10 0
S5580-51	E9/1287	Mudguard	1 ..	1 10 0
R5589-51	E9/1284	Lifting handle (no carrier) ..	1 ..	10 0
S5590-51	E9/1306	Rear guard stay, R/S	1 ..	5 6
R5591-51	E9/1304	Rear guard stay, R/S	1 ..	5 6
R5592-51	E9/1305	Rear guard stay, L/S	1 ..	5 6
S5594-51	E9/1307	Rear guard stay, L/S	1 ..	5 6
S5597-51	E9/1291	Lifting handle (no carrier) ..	1 ..	10 0
5647-53		Rear number plate	1 ..	8 6
5650-53		Rear number plate rubber moulding ..	1 ..	1 0
S1-2		Nut securing number plate to guard ..	2 ..	2
R5655-51	E9/1301	Stud for rear guard stay to fork end ..	2 ..	1 0
5656-52	E9/1393	Nut for R5655-51	2 ..	8
0510	E1/60	Bolt for lifting handle	4 ..	7
0516	D9/148	Bolt for centre stay	2 ..	5
0604	ET/579	Bolt securing guard to frame, R/S ..	1 ..	7
R5630-51		Carrier complete	1 ..	1 10 0
S5631-53		Carrier complete	1 ..	1 10 0
S5604-51	E9/1309	Stud for stay, L/S	1 ..	1 6
5640-29	E8/780	Packing washer for bridge	2 ..	3
S5654-51	E9/1308	Stud for stay, R/S	1 ..	9
5655-49	E9/1169	Bolt securing guard to frame, L/S ..	1 ..	1 6
SN-3		Pinnacle nut for 5655-49	1 ..	4
5656-39	D9/101	Nut for S5654-51 and S5604-51 ..	2 ..	7

(R) For rigid frame (S) For spring frame

CHAINS AND CHAIN COVERS

5705-37	E9/598A	Clutch dome cover	1 ..	11 6
041	E9/610	Cheese-head screw for dome
		($\frac{1}{4}$ in. \times $\frac{3}{8}$ in. \times 20 T.P.I.) ..	4 ..	4
5714-37	ET/1015	Oil bath chain case, outer	1 ..	1 14 0
5715-37	ET/1016	Oil bath chain case, inner, rear end ..	1 ..	1 2 0
03	A7/121	Cheese-head screw for case
		($\frac{1}{4}$ in. \times $\frac{11}{16}$ in. \times 20 T.P.I.) ..	9 ..	7
017	E10/68	Cheese-head screw for case
		($\frac{1}{4}$ in. \times 1 $\frac{1}{8}$ in. \times 20 T.P.I.) ..	2 ..	7

Order by SPARES No.	Do not use PART No.	DESCRIPTION OF PART	No. per Set	PRICE EACH £ s. d.
5716-37	A6/813	Distance piece for brake pedal stop bolt	1 ..	5
5718-51	ET/1044A	Bolt for case and brake pedal stop ($\frac{1}{8}$ in. \times $3\frac{7}{8}$ in. overall)	1 ..	10
0511	E8/390	Bolt securing inner part chaincase to gear cover ($\frac{1}{4}$ in. \times $1\frac{1}{8}$ in. \times 26 T.P.I.) ..	3 ..	7
5719-53	E9/1482	Fibre washer for chain cover screw ..	12 ..	1
0538A	ET/838A	Bolt securing inner part chaincase to gear cover ($\frac{1}{4}$ in. \times $\frac{1}{2}$ in. \times 20 T.P.I.) ..	1 ..	7
R5720-37	ET/1154	Rear chain guard (top run)	1 ..	13 0
S5721-39	ET/1264	Rear chain guard (top run)	1 ..	13 0
0594	A6/637	Bolt for front fixing	1 ..	7
R0513	E8/294	Bolt ($\frac{1}{4}$ in. \times $\frac{1}{2}$ in. \times 26 T.P.I.) for rear fixing	1 ..	5
R5724-37	ET/1155	Rear chain guard (bottom run)	1 ..	7 6
S5724-51	ET/1396	Rear chain guard (bottom run)	1 ..	7 6
044	ET/1200	Cheese-head screw for front fixing ($\frac{1}{4}$ in. \times $1\frac{7}{8}$ in. \times 26 T.P.I.) ..	1 ..	7
0739	ET/608	Bolt ($\frac{3}{8}$ in. \times $1\frac{1}{2}$ in. \times 26 T.P.I.) for rear fixing, chain guard (bottom run) ..	1 ..	10
R5730-53		Plate for rear stop light switch	1 ..	1 6
S5731-53		Plate for rear stop light switch	1 ..	1 6
5736-53		Spring, brake pedal swivel pin, stop light switch	1 ..	1 0
R5740-30	E8/924	Rear chain adjuster	2 ..	1 0
R5744-30	E8/925	Rear chain adjuster locknut	2 ..	7
5750A-32	E9/298A	Chain inspection plug and oil filler ..	1 ..	4 4
5751-31	E8/514	Chain inspection plug washer	1 ..	6
5762-37	ET/1147	Washer between two halves of chaincase	1 ..	10
5763-33	E9/458	Washer for case at footrest boss	1 ..	2
5767-39	E9/775	Chaincase oil level plug	1 ..	6
5768-37	A6/769	Chaincase oil level plug washer	1 ..	3
5770-31	E9/64	Adjusting screw for rear chain lubrication	1 ..	9
5772-31	E9/65	Adjusting screw spring	1 ..	3
5785-53		Front chain ($\frac{1}{2}$ in. \times .305 in. \times 73 pitches)	1 ..	1 3 3
5786-37		Front chain ($\frac{1}{2}$ in. \times .305 in. \times 72 pitches)	1 ..	1 3 0
5790-37		Rear chain ($\frac{3}{8}$ in. \times $\frac{3}{4}$ in. \times 91 pitches) ..	1 ..	2 2 8

(R) For rigid frame

(S) For spring frame

OIL TANK AND FITTINGS

5852-49	ET/1381	Oil tank	1 ..	2 4 0
5854-29	E8/503	Filler cap and dome with washer	1 ..	2 7
5855-29	E8/514	Filler cap washer	1 ..	6
5857-52	E9/1362	Oil tank steady clip	1 ..	1 0
5858-52	E9/1363	Fibre packing for clip .. as reqd.	- ..	3
0510	E1/60	Bolt for clip	1 ..	7
5860-51	E9/409A	Fixing stud nut (special), top of tank ..	2 ..	1 0
5861-37	ET/1165C	Oil connection and gauze (delivery) ..	1 ..	6 0
5863-49	ET/1133B	Two oil pipes fitted in adaptor with dowel	1 ..	15 0
5866-37	ET/1134	Oil pipe adaptor washer	1 ..	3
5868-37	ET/1046	Oil pipe adaptor dowel	1 ..	6
5869-37	ET/1141C	Oil pipe and swivel connection (delivery)	1 ..	6 0
5895-37	ET/1169	Fibre washer for 5869-37	2 ..	3
5896-49	ET/1346	Rubber connection (oil pipe)	2 ..	6
5897-49	ET/1393	Clips (adjustable) for connection	4 ..	8
5898-30	E8/1150	Drain plug	1 ..	10
5899-30	A6/646	Drain plug washer	1 ..	2
5910-37	ET/1198	Breather pipe (rubber)	1 ..	8
0195A	ET/1292	Fixing stud, top of tank	1 ..	6

Order by SPARES No.	Do not use PART No.	DESCRIPTION OF PART	No. per Set	PRICE EACH £ s. d.
EXHAUST PIPES AND SILENCERS				
6013-53	ET/1533	Rear exhaust pipe, L/S	1 ..	2 3 0
6014-53	ET/1512	Front exhaust pipe (short), L/S	1 ..	18 6
6015-53	ET/1534	Rear exhaust pipe, R/S	1 ..	2 3 0
6016-53	ET/1513	Front exhaust pipe (short), R/S	1 ..	18 6
R6035-53	ET/1526	Silencer, R/S	1 ..	2 3 9
S6039-53	ET/1519	Silencer, R/S	1 ..	2 3 9
R6041-53	ET/1525	Silencer, L/S	1 ..	2 3 9
S6042-53	ET/1518	Silencer, L/S	1 ..	2 3 9
0511	E8/390	Clamping bolt for silencer	2 ..	7
0592	E8/317	Bolt for bracket, No. 6044-53	2 ..	10
6043-53	ET/1531	Clamping bolt for exhaust pipes and bracket	2 ..	7
6044-53	ET/1523	Exhaust pipe bracket, securing pipe to frame (front end)	2 ..	1 9

(R) For rigid frame

(S) For spring frame

BATTERY CARRIER

6110-51	ET/1422	Top strap securing accumulator	1 ..	2 0
6111-51	ET/1423	Stud (long) securing battery strap	2 ..	1 6
6123-51	ET/1424	Knurled nut for stud	2 ..	1 6
S1-2		Nut for 6111-51 stud	6 ..	2
0513	E8/294	Set bolt for earthing wires	1 ..	5
6140-33	E9/414	Spring clip for cables ($\frac{7}{8}$ in.) as reqd. - ..	- ..	5
6141-33	E9/415	Spring clip for cables ($1\frac{1}{8}$ in.) as reqd. - ..	- ..	5
6142-39		Spring clip for cables ($1\frac{1}{8}$ in.) as reqd. - ..	- ..	5
6143-51	ET/1429	Steady plate for battery	1 ..	6
6150-51	ET/1420	Battery platform	1 ..	7 6
6154-51	ET/1425	Bolt securing battery platform	2 ..	8
6169-51	ET/1426	Distance piece for bolt	2 ..	1 0
6170-37	E9/648	Cover for voltage control unit	1 ..	10
0513	E8/294	Set bolt securing voltage control unit	2 ..	5

COIL IGNITION FIXINGS

5239-49	ET/1380	Rubber cover for distributor	1 ..	2 3
6180-51	ET/1427	Bracket for ignition switch	1 ..	1 0
6181-51	ET/1428	Rubber cover for switch	1 ..	1 0
6182-52	ET/1433	Bracket for coil and voltage control	1 ..	2 6
6181-50	E9/1255	Rubber cover for electric cables	1 ..	2 0
0510	E1/60	Set bolt for coil	2 ..	7
S1-2		Nut for 0510 set bolt	2 ..	2
S19-2		Washer for S1-2 nut	2 ..	2

DUALSEAT

6222-53		Dualseat c/w fittings	- ..	4 12 6
6204-53		Nose bracket for dual seat	1 ..	3 6
6207-53		Rear fixing plate for dual seat	1 ..	2 0
0566	E4/75	Bolt for dualseat fixing	7 ..	7

Note.—Please state colour of dualseat required.

Order by SPARES No.	Do not use PART No.	DESCRIPTION OF PART	No. per Set	PRICE EACH £ s. d.
SADDLE				
6200-51		Saddle complete with springs	-	3 2 6
6208-51		Saddle coil spring	2	5 0
		Saddle seat cover	1	6 0
0593	E8/617	Bolt for front of saddle	1	1 0
0402A	E9/1230	Stud for saddle (rear anchorage)	2	1 9
S2-5		Nuts for 04020A stud	8	4
6220-50	E9/1231	Saddle stud distance piece	2	6
S2-3		Nut for saddle bolt	1	2

HANDLEBAR AND CONTROL FITTINGS

Makers: AMAL LTD.,

Holford Works, Perry Barr, Birmingham 20

6400-46	H/63	Handlebar (standard)	1	6 3
6416B-38	18/223	Clutch lever	1	5 3
6416B-50	18/535	Brake lever	1	5 3
6416C-38	18/087	Fulcrum pin	1	3
6416D-38	18/053	Fulcrum pin nut	1	3
6416G-50	11/014	Clamp screw	2	3
6421-39		Brake control lever assembly for $\frac{7}{8}$ in. bar	1	12 3
6421-50		Clutch control lever assembly	1	12 3
6421A-50	18/234	Clutch bracket ($\frac{7}{8}$ in. bar fitting)	1	5 3
6421A-50	18/234	Brake bracket ($\frac{7}{8}$ in. bar fitting)	1	5 3
6421F-39	12/040	Clamp ($\frac{7}{8}$ in. bar fitting)	1	9
6430-39		Twist grip control complete, less cable, for $\frac{7}{8}$ in. bar	1	12 10
6430K-39	16/074	Dummy grip rubber	1	1 6
6430E-39		Twist grip rubber	1	1 0

HANDLEBAR CONTROL CABLES

6460-52		Clutch cable complete	1	5 6
6480-47		Brake cable complete	1	5 3
6492-47		Throttle cable complete	1	5 3
6492A-37	ET/1248	Volute spring for cable	1	1 0
S25-3	ET/1245	Pin for carburettor controls	1	7
S25-4	ET/1236	Throttle control fork clip	1	7
S2-1		Locknut, $\frac{3}{8}$ in.	1	2
S25-2		Throttle cable adjuster	1	1 2
6461E-32	D10/54	Adjuster locknut	2	2

TOOL BOX AND TOOL KIT

R6554-51C	E9/964A	Tool box and lid c/w fittings	1	1 1 9
S6556-51	E9/1171	Tool box and lid c/w fittings	1	1 1 9
6557-46	E9/922	Thumb screw for tool box lid	1	1 4
6600-36	G1/125	Double-ended spanner ($\frac{3}{8}$ in. \times $\frac{1}{2}$ in. bolts)	1	1 6
6600-32	G1/110	Spanner for brake fulcrum adjustment	1	1 4
6601-52	G1/182	Spanner for cylinder head nuts	1	8 0
6603-28	G1/59	Double-ended spanner ($\frac{3}{8}$ in. \times $\frac{3}{8}$ in. bolts)	1	2 7
6604-36	G1/124	Double-ended spanner ($\frac{1}{4}$ in. \times $\frac{1}{8}$ in. bolts)	1	1 4

Order by SPARES No.	Do not use PART No.	DESCRIPTION OF PART	No. per Set	PRICE EACH		
				£	s.	d.
6605-28	G1/66	Double-ended spanner ($\frac{7}{16}$ in. \times $\frac{1}{2}$ in. bolts)	1 ..	3	0	
6606-27	G1/55	Double-ended spanner for steering head nuts and wheel cone nuts	1 ..	1	9	
6606-30	G1/55A	Double-ended spanner for steering head nuts	1 ..	1	9	
6608-31	G1/102	Tube spanner	1 ..	1	9	
6608-37	G1/129	Tube spanner for sparking plugs	1 ..	2	6	
6608-50	G1/168	Tube spanner for detachable wheel nuts (brake drum)	1 ..	6	6	
6611-31	G1/99	Tube spanner for hub spindle nut	1 ..	1	9	
6611-34	G1/122	Tube spanner ($\frac{1}{4}$ in. \times $\frac{5}{16}$ in. bolts)	1 ..	1	9	
6611-36	G1/123	Tube spanner for clutch centre pin	1 ..	1	4	
6611-50	G1/169	Double-ended box spanner for wheel nut	1 ..	2	6	
6612-27	G1/57	Tommy bar	1 ..		10	
6614-29	G1/94	Ring spanner ($\frac{3}{8}$ in. \times $\frac{7}{16}$ in.)	1 ..	3	6	
6614-31	G1/103	Ring spanner ($\frac{1}{2}$ in. \times $\frac{1}{16}$ in.)	1 ..	3	6	
6615-34	G1/118	Spanner for valve rocker adjustment	1 ..	1	4	
6616-26	G1/33	Screwdriver	1 ..	1	4	
6616-29	G1/86	Screwdriver for clutch spring nuts	1 ..		10	
6621-29	G1/81	Dynamo and crankshaft timing sprocket extractor and set pin	1 ..	4	4	
6623-29	G1/85	Set pin only for 6621-29	1 ..		10	
6625-26		Tyre lever	1 ..		10	
6635-27		Grease gun	1 ..	7	0	
6636-29		Tyre inflator (14 in. \times $\frac{1}{2}$ in.)	1 ..	7	0	
6640-26		Canvas tool roll	1 ..	5	0	
S6649-50	G1/166	Extension tube for 6608-50	1 ..	2	6	
6686-52		Set of tools only	- ..	2	19	0
6689-46	G1/150	Socket key for telescopic fork	1 ..	1	3	
6699-46	G1/152	Spanner for locking ring (front hub)	1 ..	2	3	

Note.—Set of tools does not include grease gun or tyre inflator.

(R) For rigid frame

(S) For spring frame

BI-STARTER SOLEX CARBURETTER—TYPE 26 A.H. 1,000 c.c. Model

Makers: SOLEX LTD.,

Solex Works, 223/231 Marylebone Road, London, N.W.1.

7500-38	ET/1143	Carburetter complete	- ..	7	3	0
7502-38		Throttle chamber only	1 ..	1	10	0
7506-37		Throttle chamber fixing screw	4 ..			4
7508-37		Throttle chamber fixing screw washer	4 ..			1
7510-38		Choke tube, No. 23	1 ..	5	5	
7511-38		Choke tube fixing screw	1 ..			7
7512-38		Choke tube fixing screw washer	1 ..			1
7515-37		Butterfly only	1 ..	4	3	
7517-38		Butterfly spindle	1 ..	6	7	
7519-37		Butterfly screw	2 ..			3
7527-37		Throttle abutment plate only	1 ..	3	0	
7529-37		Slow running screw	1 ..			7
7531-37		Slow running screw spring	1 ..			4
7533-37		Throttle stop screw	1 ..			7
7534-37		Throttle stop screw nut	1 ..			1
7535-38		Throttle lever	1 ..	1	6	
7537-37		Throttle spindle end nut	1 ..			4

Order by SPARES No.	Do not use PART No.	DESCRIPTION OF PART	No. per Set	PRICE EACH £ s. d.
7540A-37		Air bell only	1 ..	2 5
7542-37		Air bell fixing screw	2 ..	4
7550-37		Volume control screw	1 ..	1 3
7551-37		Volume control screw spring	1 ..	4
7552-38		Emulsion tube and carrier	1 ..	6 0
7554-38		Correction jet (state size)	1 ..	7
7557-38		Auxiliary air bleed	1 ..	7
7560-38		Float chamber cover	1 ..	1 4 0
7562-37		Float chamber assembly screw (short)	1 ..	11
7562-38		Float chamber assembly screw (long)	1 ..	1 3
7564-38		Float chamber only	1 ..	1 16 0
7566-37		Float only	1 ..	4 9
7568-37		Float needle and seating with washer	1 ..	6 0
7570-37		Float needle seating washer	1 ..	1
7575-38		Main jet (state size: standard is No. 120)	1 ..	1 10
7580-38		Main jet carrier bolt	1 ..	3 0
7582-38		Main jet carrier bolt washer	1 ..	1
7590-37		Auxiliary jet (state size: standard is No. 70)	1 ..	1 10
7595-37		Swivel union for petrol pipe	1 ..	3 7
7596-37		Swivel union connecting bolt	1 ..	2 5
7597-37		Swivel union washer (large)	1 ..	1
7598-37		Swivel union washer (small)	2 ..	1
7599-37		Filter gauze	1 ..	7
7610-38		Bi-starter body	1 ..	12 7
7612-38		Bi-starter body fixing screw	4 ..	7
7614-38		Bi-starter valve complete	1 ..	11 5
7616-38		Bi-starter lever	1 ..	1 10
7618-38		Bi-starter lever locking bolt	1 ..	7
7620-38		Bi-starter spindle end nut	1 ..	3
7625-38		Bi-starter ball	1 ..	1
7627-38		Bi-starter ball retaining spring	1 ..	7
7630-38		Bi-starter air jet (in body). State size	1 ..	2 5
7632-38		Bi-starter petrol jet (in base float chamber). State size	1 ..	3 7
7634-38		Bi-starter petrol jet washer	1 ..	1
7640-38		Cable support (fixed to starter body)	1 ..	5 5
7642-38		Cable support fixing screw	2 ..	3
7644-38		Cable fixing screw	1 ..	7
7650-38		Push-pull plunger and cable	1 ..	4 3
7652-38		Push-pull screwed sleeve with locknuts and washers	1 ..	1 3
7654-38		Push-pull screwed sleeve distance tube	1 ..	7
7656-38		Push-pull outer support plate	1 ..	1 3

AIR CLEANER

9020A-52C		Air cleaner complete with fittings	1 ..	2 10 0
9021-52		Rubber connection	1 ..	5 0
9022-52	ET/1347	Carburettor flanged adaptor	1 ..	3 6
9023-52		Jubilee clip	2 ..	9

Order by
SPARES
No.

DESCRIPTION OF PART

£ s. d.

ELECTRICAL EQUIPMENT

Makers: Messrs. JOSEPH LUCAS LTD. (Service Dept.),
Great King Street, Birmingham 19 and
Great Hampton Street, Birmingham 18

Model 4G 1,000 c.c. Mk. II

22003	Generator
40124	Distributor
45016	H.T. coil
37097	Control box
50952	Headlamp
51106	Headlamp (Export Europe, not France)
51129	Headlamp (Export France)
31315	Switch box
36085	Ammeter
069239	Horn
76204	Horn push
31083	Ignition switch
380521	Dipper switch
G UW11E	Battery
53256A	Tail lamp, 529
988	Bulb (tail lamp)
53269A	Stop tail lamp, 525
352	Bulb (stop tail lamp)
31281B	Stop light switch complete
	Spring for stop light switch

STANDARD NUTS, WASHERS, ETC.

Order by SPARES No.	DESCRIPTION OF PART	PRICE
S1-2	Nut (standard), $\frac{1}{4}$ in. dia. \times 26 T.P.I.	} 2d. each or 1/6 per doz.
S1-3	Nut (standard), $\frac{1}{8}$ in. dia. \times 26 T.P.I.	
S1-4	Nut (standard), $\frac{3}{8}$ in. dia. \times 26 T.P.I.	} 3d. each or 2/6 per doz.
S1-5	Nut (standard), $\frac{7}{16}$ in. dia. \times 26 T.P.I.	
S1-6	Nut (standard), $\frac{1}{2}$ in. dia. \times 20 T.P.I.	
S2-2	Locknut (thin), $\frac{1}{4}$ in. dia. \times 26 T.P.I.	} 2d. each or 1/6 per doz.
S2-3	Locknut (thin), $\frac{1}{8}$ in. dia. \times 26 T.P.I.	
S2-4	Locknut (thin), $\frac{3}{8}$ in. dia. \times 26 T.P.I.	} 4d. each or 2/6 per doz.
S2-5	Locknut (thin), $\frac{7}{16}$ in. dia. \times 26 T.P.I.	
S2-6	Locknut (thin), $\frac{1}{2}$ in. dia. \times 20 T.P.I.	
S2-7L	Locknut (thin), $\frac{9}{16}$ in. dia. \times L.H. 20 T.P.I.	Bright, 6d. each.
S5-2	Single spring washer, $\frac{1}{4}$ in. dia.	} 2d. each or 1/6 per doz.
S5-3	Single spring washer, $\frac{5}{16}$ in. dia.	
S5-4	Single spring washer, $\frac{3}{8}$ in. dia.	} 2d. each or 1/6 per doz.
S5-5	Single spring washer, $\frac{7}{16}$ in. dia.	
S5-6	Single spring washer, $\frac{1}{2}$ in. dia.	
S6-3	Double spring washer..	} 2d. each or 1/6 per doz.
S6-6	Double spring washer..	
S9-1	Steel ball, $\frac{3}{16}$ in. dia.	} 2d. each.
S9-1A	Steel ball, $\frac{3}{8}$ in. dia.	
S9-2	Steel ball, $\frac{1}{2}$ in. dia.	
S17-1	Split pin, $\frac{1}{16}$ in. dia. \times $\frac{3}{8}$ in.	1d. each.
S18-1	No. 3 Woodruff key	5d. each.
S18-2	No. 9 Woodruff key	5d. each.
S19-2	Plain washer, $\frac{1}{4}$ in. dia. hole	} 2d. each or 9d. per doz.
S19-3	Plain washer, $\frac{1}{8}$ in. dia. hole	
S19-4	Plain washer, $\frac{3}{8}$ in. dia. hole	} 2d. each or 10d. per doz.
S19-5	Plain washer, $\frac{7}{16}$ in. dia. hole	
S19-6	Plain washer, $\frac{1}{2}$ in. dia. hole	
S19-7	Plain washer, $\frac{9}{16}$ in. dia. hole	} 2d. each or 1/2 per doz.
S19-8	Plain washer, $\frac{5}{8}$ in. dia. hole	
S21-1	Oil pipe union body	1/4 each.
S21-2	Petrol union nut	5d. each.
S21-3	Oil union nipple	5d. each.
S22-2	Plug, $\frac{3}{8}$ in. dia. \times 19 T.P.I.	1/6 each.
S22-4	Plug, $\frac{1}{2}$ in. dia. \times 16 T.P.I.	1/6 each.
S25-2	Slotted cable adjuster	1/2 each.
S48-2	Joint pin	5d. each.

**ARIEL MOTORS LIMITED
PROPRIETARY EQUIPMENT AND ACCESSORIES**

Although every effort is made to obtain the most suitable and highest quality fittings of a proprietary nature for incorporating into our Motor Cycles, our guarantee does not cover such parts.

In the event of trouble being experienced with proprietary fittings, the part or parts should be returned to and claims made direct on the actual manufacturers, who will deal with them on the terms of their respective guarantees. Date of purchase and mileage covered should always be clearly stated when submitting a claim.

CARBURETTERS

SOLEX LTD.,
223-231 Marylebone Road, London N.W.1

CHAINS

THE RENOLD & COVENTRY CHAIN CO. LTD.,
Didsbury, Manchester

ELECTRICAL EQUIPMENT

Messrs. JOSEPH LUCAS LTD. (Service Dept.),
Great King Street, Birmingham 19 and
Great Hampton Street, Birmingham 18

HORNS

Messrs. JOSEPH LUCAS LTD. (Service Dept.),
Great King Street, Birmingham 19 and
Great Hampton Street, Birmingham 18
CLEAR HOOTERS LTD.,
33 Hampton Street, Birmingham 19

SADDLES

LYCETTS & MOTOR ACCESSORIES CO. LTD.,
Ludgate Hill Passage, Birmingham 3
Messrs. HERBERT TERRY & SONS LTD.,
Redditch

SPEEDOMETERS

Messrs. S. SMITH (MA) LTD.,
Cricklewood, London

TYRES

THE DUNLOP RUBBER CO. LTD.,
Fort Dunlop, Erdington, Birmingham 24

SPARKING PLUGS

CHAMPION SPARKING PLUG CO. LTD.,
Feltham, Middlesex
LODGE PLUGS LTD.,
Rugby

GEARBOXES

Messrs. BURMAN & SONS LTD.,
Wychall Lane, Kings Norton, Birmingham 30

NOTICE

WE do not appoint agents for the sale on our behalf of our motor cycles or other goods, but we assign to motor cycle Dealers areas in which we supply to such Dealers, exclusively for re-sale in such areas. No such Dealer is authorised to transact any business, give any warranty, make any representation or incur any liability on our behalf.

THE FOLLOWING IS A COPY OF THE GUARANTEE GIVEN BY DEALERS IN ARIEL MOTOR CYCLES

WE give the following guarantee with our motor cycles, which is given in place of any implied conditions, warranties or liabilities whatsoever, statutory or otherwise, all such implied conditions, warranties and liabilities being in all cases excluded. Any statement, description, condition or representation contained in any catalogue, advertisement leaflet or other publication, shall not be construed as enlarging, varying or overriding this guarantee. In the case of machines which have been used for "hiring out" purposes, or from which the trade mark, name or manufacturing number has been removed, no guarantee of any kind is given or is to be implied.

WE guarantee, subject to the conditions mentioned below, that all precautions which are usual and reasonable have been taken by us to secure excellence of materials and workmanship, but this guarantee is to extend and be in force for six months only from date of purchase, and damages for which we make ourselves responsible under this guarantee are limited to the free supply of a new part in exchange for the part of the motor cycle which may have been proved defective. We do not undertake to replace or refix, or bear the cost of replacing or refixing, such new part in the motor cycle. We undertake, subject to the conditions mentioned below, to make good at any time within six months any defects in these respects. As the motor cycles are easily liable to derangement by neglect or misuse, this guarantee does not apply to defects caused by wear and tear, misuse or neglect.

The term "misuse" shall include, amongst others, the following acts:

1. The attaching of a sidecar to the motor cycle in such a manner as to cause damage or calculated to render the latter unsafe when ridden.
2. The use of a motor cycle, or of a motor cycle and sidecar combined, when carrying more persons, or a greater weight than that for which the machine was designed by the manufacturers.
3. The attaching of a sidecar to a motor cycle by any form of attachment not provided, supplied or approved by the manufacturers, or to a motor cycle which is not designed for such use.

Any motor cycle sent to us to be plated, enamelled or repaired will be repaired upon the following conditions, i.e., we guarantee that all precautions which are usual and reasonable have been taken by us to secure excellence of material and workmanship, such guarantee to extend and be in force for three months only from the time such work shall have been executed or until the expiration of the six months above referred to, and this guarantee is in lieu and in exclusion of any common law or statute warranty or condition and the damages recoverable are limited to the cost of any further work which may be necessary to amend and make good the work found to be defective.

CONDITIONS OF GUARANTEE

If a defective part should be found in our motor cycles, or in any part supplied by way of exchange before referred to, it must be sent to us **Carriage Paid**, and accompanied by an intimation from the Owner that he desires to have it repaired or exchanged free of charge under our guarantee, and he must also furnish us at the same time with the number of the machine, the date of purchase, or the date when the alleged defective part was exchanged as the case may be.

Failing compliance with the above, such articles will lie here **at the risk of the owner**, and this guarantee and any implied guarantee, warranty or condition shall not be enforceable.

We do not guarantee tyres, saddles, chains, electrical equipment or any other specialities of accessory manufacturers.

ARIEL DISTRIBUTORS AND SPARES STOCKISTS

ABERDARE, Glam....	Lewis's Garage, 325 Cardiff Road, Aberaman.
ABERFFRAW, Anglesey	J. O. Williams, Llewelyn Street.
ACCRINGTON, Lancs.	Wm. Snape, 379 Blackburn Road.
ALDERSHOT, Hants.	Archer & Son, 149 Victoria Road.
ALTRINCHAM, Cheshire	Walton & Coombes Ltd., 13 Old Market Place.
ALTRINCHAM, Cheshire	Walton & Coombes Ltd., 28A Greenwood Street.
ANDOVER, Hants.	Corbett & Ellis Ltd., Weyhill Road.
ANDOVER, Hants.	Chas. White, Lower Clatford.
ASHBY-DE-LA-ZOUCH	Motor Cycle Spares, 92 Market Street.
ASHFORD, Kent	C. Hayward & Son Ltd., 20-46 New Street.
ASHFORD, Middx.	C. & A. Motors Ltd., London Road.
ASHINGTON, Northumberland	J. Main and Sons (Ashington) Ltd., Laburnum Terrace.
AYLESBURY, Bucks.	Eborn's Garage, 44 Walton Street.
AXMINSTER, Devon	Gray's (Axminster) Ltd., West Street.
BALA, Merioneth	Jones Bros., Henblas and West End Garage.
BARKING, Essex	Albons Garage Ltd., 119 Ripple Road.
BARNLEY, Yorks....	Geo. Ward, 40-42 Doncaster Road.
BARNSTAPLE, Devon	Bob Ray, 43 High Street.
BARROW-IN-FURNESS	H. Jackson, Roose Garage.
BASINGSTOKE, Hants.	F. G. Slade, May Place, London Street.
BATH, Som.	Barton Motors, 14 Westgate Buildings.
BEAUFORT, Mon.	J. Elson & Co., Beaufort Garage.
BEDFORD	Imperial Cycle & Motor Co., 58 St. Laves.
BECCLES, Suffolk	L. C. Green, Southwold Road, Wrentham.
BECKENHAM, Kent	Deen's Garage, 529 Croydon Road.
BECKENHAM, Kent	Lilley (Beckenham) Ltd., 102 Croydon Road.
BIGGLESWADE, Beds.	Bryants Ltd., 72-74 Shortmead Street.
BIRCHINGTON, Kent	Halletts (Canterbury), The Square.
BIRKENHEAD, Cheshire	Bob Simister, 540 New Chester Road, Rock Ferry.
BIRMINGHAM 1	W. L. Handley Ltd., 144-145 Suffolk Street.
BIRMINGHAM 4	Motor Sales Ltd., 15-16 Aston Street.
BIRMINGHAM 5	Kings Motors (Oxford) Ltd., 18-20 Bristol Street.
BIRMINGHAM 5	Colmore Depot Ltd., 77 Station Street.
BIRMINGHAM 7	The Premier Motor Co. Ltd., 253 Dartmouth Street.
BIRMINGHAM 12	Shovelbottoms Ltd., 376 Ladypool Road, Sparkbrook.
BIRMINGHAM 17	Chas. E. Cope & Sons Ltd., 481-487 Upper Hagley Road, Edgbaston.
BIRMINGHAM 23	Rickard's Garage, 54 Station Road, Erdington.
BIRMINGHAM 26	W. T. Howard, 2341 Coventry Road, Sheldon
BISHOPS STORTFORD, Herts.	W. Searing, 31 Hockerill Street.
BLACKBURN	Shuttleworth & Geldart, 15 Gt. Bolton Street.
BLACKPOOL	Nick Lancaster, 53 Whitegate Drive.
BLACKPOOL	John Hall & Son, 102-103 Devonshire Drive.
BLANDFORD, Dorset	Foster & Thomas, Badger Garage, Salisbury Road.
BOLTON	Kay Bros., Motor & Cycle Agents, Bradshawgate.
BOURNE, Lincs.	H. J. Willson, Windmill Garage, Ripplingale.
BOURNEMOUTH	Jenkins & Purser Ltd., 960-970 Wimborne Road.
BRADFORD	H. Barrett Ltd., 2 Harris Street.
BRADFORD	Chas. Sidney Ltd., 140 Manningham Lane.
BRAINTREE, Essex	J. H. Tofts & Son Ltd., The Garage, Great Square.
BRAUNTON, Devon	C. M. Ray, 7 Caen Street.
BRAUNTON, Devon	Bob Ray Ltd., The Square.
BRECHIN	J. Duncan & Son, 3 and 5 St. Mary's Street.
BRECON	Trevor Brookes, Lion Street.
BRENTWOOD, Essex	Albons Garage (Shenfield) Ltd., Shenfield Garage, Shenfield, near Brentwood.
BRIDGEND, Glam.	Leslie Griffiths, Ewenny Road.
BRIDGWATER, Som.	Anderson & Wall, 18 St. Mary Street.
BRIDGENORTH	F. Purslow (Motor Cycles), St. Mary's Street.
BRIGG, Lincs.	Sid. Whelpton, West End Garage, Forrester Street.
BRIGHOUSE, Yorks.	Belle Vue Garage, Bradford Road.
BRIGHTON, Sussex...	Redhill Motors Ltd., 104 North Road.
BRISTOL	Barton Motors (Bristol) Ltd., 17-18 North Street.
BRISTOL	Glanfield Lawrence (Bristol) Ltd., 47-53 Bath Road.
BRISTOL	Messrs. King's of Bristol, Stokes Croft, Bristol.
BROMLEY, Kent	Boyer of Bromley, 38 London Road.
BROMSGROVE, Worcs.	Harold Tozer Ltd., 110 Birmingham Road.
BRYNMAWR	Jaynes Motors, Cym-Bach Garage.
BUCKINGHAM	A. C. Marriott, Castle Street.
BURNLEY, Lancs.	H. & F. Hebden Ltd., 149 St. James Street.
BURTON-ON-TRENT	Bargate Motors Ltd., 3 and 4 Westmore Road.
BURY, Lancs.	Cliff Holden (Motors) Ltd., 43 Bolton Street.
BURY ST. EDMUNDS	C. J. Bowers & Son, 98A Risbygate Street.

ARIEL DISTRIBUTORS AND SPARES STOCKISTS—continued

CAERNARVON	J. O. Williams, Brunswick Buildings, Castle Square.
CAERPHILLY, Glam.	C. G. Morgan, Piccadilly Square.
CALNE, Wilts.	Ross & Haines, 10 New Road.
CAMBERLEY, Surrey	E. Pascall Ltd., 42-45 London Road.
CAMBRIDGE	King & Harper Ltd., 3 Milton Road.
CANNOCK, Staffs.	T. E. Stone, Central Garage, Blackfords.
CANTERBURY, Kent	Marcel Hallett, St. Dunstan's Garage, St. Dunstan's Street.
CARDIFF	Glanfield Lawrence Ltd., 2-10 City Road.
CARLISLE	W. T. Tiffin & Sons, Irishgate Brow, Caldew Bridge.
CARMARTHEN	Eddie Stephens Motors, 22-23 Water Street.
CASTLEFORD	Barretts Motor Cycles Ltd., 35-37 Aire Street.
CHAPEL-EN-LE-FRITH	E. W. Bowers, 129 Townend.
CHARD, Som.	E. A. Taylor, Holyrood Street.
CHATHAM, Kent	F. Bannister & Son Ltd., 26 Railway Street.
CHELMSFORD, Essex	G. W. Boreham, City Garage, Baddow Road.
CHELMSFORD, Essex	Parker's Motor Cycles, 56A Moulsham Street.
CHELTHENHAM	A. Williams & Co., 19-21 Portland Street.
CHESTER	Davies Bros., 34 Bridge Street.
CHESTERFIELD	Jervis Bros., Horns Garage, 95 Lordsmill Street.
CHICHESTER, Sussex	W. Goddridge & Co. Ltd., East Street and Market Road.
CHIPPENHAM, Wilts.	Ross & Haines, 4 Causeway.
CHORLEY, Lancs.	S. M. Miller, 88 Bolton Street.
CHURCH STRETTON, Salop	The Central Garage Ltd., Burway Road.
CLACTON-ON-SEA	W. A. Syrett, 100 Station Road.
COLCHESTER, Essex	G. B. R. Motors Ltd., 63 High Street.
COLNE, Lancs.	C. H. Schofield (Motors) Ltd., 15 Market Place.
COLWYN BAY	Gilbert Emery, 36 Kings Road.
CONGLETON, Cheshire	J. L. Richardson, 1 Little Street.
COSFORTH, Cumberland	W. J. M. Rigg, Motor Cycle Agent.
COVENTRY	W. Brandish & Son Ltd., Whitefriars Street.
COVENTRY	Chas. E. Cope & Sons Ltd., 282-284 Foleshill Road.
COVENTRY	Chas. E. Cope & Sons Ltd., 5 Holyhead Road.
CREWE	E. Beech, Coppenhall Garage, Cross Green.
CREWE	W. M. Webster, Mill Street Garage.
CREWKERNE, Som.	E. A. Taylor, 14 East Street.
CROMFORD, Derbyshire	David Tye Ltd.
CROOK, Co. Durham	F. Clement, Bridge Street Garage.
CROYDON, Surrey	Godfreys Ltd., 228-234 London Road.
CULLOMPTON, Devon	R. Edwards, Ashill Craddock.
DAGENHAM, Essex	Reginald Smith (Motor Cycles) Ltd., Imperial House, New Road.
DARLINGTON	Duplex Motor & Cycle Co. Ltd., 10-16 Grange Road.
DARLINGTON	Wilf Allinson, 1 North Eastern Terrace, Parkgate.
DARTFORD, Kent	Schweiso Bros., 177 Lowfield Street.
DEAL, Kent	Water Street Garage, Water Street.
DERBY	Palins Motors Ltd., 43 Osmaston Road.
DERBY	Wilemans Motors, 99-105 Siddale Road.
DEVIZES, Wilts.	K. L. Witts, Southbroom Place and Sidmouth Parade.
DONCASTER, Yorks.	Raynes Motors, 10 Cleveland Street.
DORCHESTER, Dorset	R. J. Watts, 39 South Street.
DORKING, Surrey	Edwards Motors (Dorking) Ltd., South Street.
DOUGLAS, I.O.M.	Salisbury Garages Ltd., Fort Street.
DOVER, Kent	Kearsney Motor Garage Ltd., Kearsney.
DUDLEY, Worcs.	Chas. E. Cope & Sons Ltd., 193 High Street.
DUNSTABLE, Beds.	B. G. England Ltd., Half Moon Garage, London Road
DURHAM	Gibson & Woods, 54 North Road.
EASTBOURNE, Sussex	Hurrey Woodhams Ltd., 3 Gildredge Road.
EASTBOURNE, Sussex	Hurrey Woodhams Ltd., 118 Seaside.
EASTWOOD, Notts.	Clifford Motories.
EDGWARE, Middx.	Rex Judd, High Street.
ELY, Cambs.	Walbro Cycle Stores, 3 Lynn Road.
EMSWORTH, Hants.	A. G. Motor Cycles, 1 South Street.
ENFIELD, Middx.	D. J. Shepherd & Co. Ltd., 434-436 Hertford Road.
ENFIELD, Middx.	D. J. Shepherd & Co. Ltd., 10 Savoy Parade.
EPSOM, Surrey	Wheeler Motors, 45-51 Waterloo Road.
ERITH, Kent	J. W. Clarke, 245 Bexley Road.
EVESHAM, Worcs.	Matthews & Co. (Stratford-upon-Avon) Ltd., 46 Port Street.
EXETER, Devon	J. E. Green & Co., 16 Coombie Street.
EXETER, Devon	P. Pike & Co. Ltd., Alphington Street.
EYE, Suffolk	F. E. Whant & Son, Broad Street.
FALMOUTH, Cornwall	J. Pengelley & Sons, Webber Street.
FAREHAM, Hamps.	Hansford Bros., 36-37 High Street.
FARNHAM, Surrey	Heath Bros. (Frensham) Ltd., 83 East Street.
FLEETWOOD, Lancs.	Nick Lancaster, 48-50 Poulton Road.
FRITHVILLE, Lincs.	S. Coupland, near Boston.
FROME, Som.	P. Difazio, 25 Catherine Street.

ARIEL DISTRIBUTORS AND SPARES STOCKISTS—continued

GAINSBOROUGH, Lines.	Central Garage Ltd., North Street.
GATESHEAD-ON-TYNE	O. Carmichael & Son, 75 High West Street.
GLOUCESTER	Harpers Garage Ltd., 23A Worcester Street.
GRANTHAM, Lines.	Grantham Motor Cycle Depot, 5 Chapel Street.
GRIMSBY	H. J. Gresswell & Son Ltd., 13-15 Osborne Street.
GRIMSBY	Freddie Frith, 119 Victoria Street.
GT. YARMOUTH	O. Atkinson, 137 Mill Road.
GUILDFORD, Surrey	E. Pascall Ltd., 11-12 Woodbridge Road.
HALIFAX, Yorks.	Cable Motor Co. Ltd., 26 Lister Lane.
HALIFAX, Yorks.	Halifax Motor Exchange, 25 Horton Street.
HAMPTON-IN-ARDEN	J. Pearson's Garage, Barston.
HARLOW, Essex	Collins & Son, Fore Street.
HARROWGATE, Yorks.	Baines Bros. Ltd., 23 Station Parade.
HARROW, Middx.	E. T. Pink, 221-225 Station Road.
HAYWARDS HEATH, Sussex	C. G. Griffiths Ltd., 42-44 Queens Road.
HAZEL GROVE, Cheshire	Warburton Bros., 260 London Road.
HEANOR, Notts.	W. S. Humphry Ltd., 34 Market Street.
HELSTON, Cornwall	C. G. Lory, 14-16 Wendron Street.
HEDNESFORD, Staffs.	T. E. Stone, 80 Market Street.
HEMEL HEMPSTEAD, Herts.	Messrs. Moores, London Road.
HENLEY-IN-ARDEN, Warwicks.	Henley Garages, High Street.
HEREFORD	C. F. King & Co., City Garage, Eign Street.
HIGH WYCOMBE, Bucks.	F. W. Tillion, Priory Road.
HINCKLEY, Leics.	Bruce Lewin Ltd., 16 Stockwell Head.
HORNCHURCH, Essex	T. W. Kirby Ltd., 10 Roneo Corner.
HORSHAM, Sussex	Harold Lines, 43 Springfield Road.
HOVE, Sussex	G. Bradshaw (Sussex) Ltd., 5-6 Western Road.
HOUNSLOW, Middx.	Stanley Motors, 7-8 Bulstrode Parade and Nobel Corner.
HUDDERSFIELD	Arnold Moore, Oxford Street Garage, Northgate.
HULL	Jordan & Co. (Hull) Ltd., Storey Street.
ILFORD, Essex	Smith & Double Ltd., 1-4 Mildmay Parade, Cranbrook Road.
ILFORD, Essex	Morgans of Ilford, 7 York Road.
IPSWICH, Suffolk	Revetts Ltd., 1 Berners Street.
KEIGHLEY, Yorks....	...	Dick Ratcliffe, Coldshaw Garage, Haworth.
KENDAL	G. W. Parkinson, Kent Street.
KENFIG HILL, Glam.	Cyril Kieft (Sales) Ltd., Foster Buildings.
KETTERING, Northants.	C. J. Rouse & Son, 114 Wellington Street.
KETTERING, Northants.	R. V. Burrows (Motor Cycles), Barton Seagrave.
KIDDERMINSTER, Worcs.	Motor Cycle Mart, 9 Towers Buildings, Blackwell Street.
KINGSBRIDGE, Devon	Wills Garage, Embankment Road.
KING'S LYNN, Norfolk	John Brooker Ltd., Towers Street.
KINGSTON-ON-THAMES, Surrey	Kingston Motor Cycles Ltd., 26-28 London Road.
KNUTSFORD, Cheshire	Central Garage, Princess Street.
LANCASTER...	J. P. Barton, Damside Street.
LAUNCESTON, Cornwall	H. Robbins, Northgate Street.
LEAMINGTON SPA	Beauchamp Motors, Hall Road.
LEEDS	B. J. Jenkins (Leeds) Ltd., 31 Lower Briggate.
LEEDS 6	W. Marsden & Sons Ltd., Hyde Park Corner.
LEEK, Staffs.	Caleb Titterton, East Street.
LEICESTER	Colmore Depot Ltd., 174 Belgrave Gate.
LEICESTER	Kings of Leicester, 164-168 Belgrave Gate.
LEIGH, Lancs.	Cliff Holden (Motors) Ltd., Market Buildings, Newton Street.
LEOMINSTER, Hereford	Watson's Motor Works Ltd., 4 Etnam Street.
LEWES, Sussex	Redhill Motors (Brighton) Ltd., 1 East Street.
LICHFIELD, Staffs.	The Lichfield Motor Cycle Depot, 37 Tamworth Street.
LINCOLN	West's (Lincoln) Ltd., 116 High Street.
LIVERPOOL 2	Bob Sergeant Ltd., 22 Moorfields.
LLANGEFNI, Anglesey	J. O. Williams, 11 Church Street.
LLANGOLLEN	The Sun Service Garage, Regent Street.
LONDON N.1	Renno's, 232 Upper Street, Islington.
LONDON N.4	Strand Motor Cycles, 325 Hornsey Road.
LONDON N.4	Strand Motor Cycles, 40 Stroud Green Road.
LONDON N.4	Strand Motor Cycles, 449 Green Lane.
LONDON N.5	Glanfield Lawrence (Highbury) Ltd., 28-32 Highbury Corner.
LONDON N.6	Gatehouse Motors Ltd., 1 Hampstead Lane, Highgate Village.
LONDON N.7	Renno's, 217 Hornsey Road.
LONDON N.8	Messrs. Brookers, 2 Queens Parade, Green Lanes, Harringay.
LONDON N.12	Glanfield Lawrence Ltd., 407 High Road, North Finchley.
LONDON N.13	Mitchell Erskine Ltd., 15 Green Lanes, Palmers Green.
LONDON N.13	Turner Bros. Ltd., 29-31 Green Lanes, Palmers Green.
LONDON N.15	Godfreys Ltd., 94-86 High Road, Tottenham.
LONDON N.18	J. A. Lock, 68 Fore Street, Edmonton.
LONDON N.W.1	W. E. Humphreys Ltd., 118-122 Hampstead Road.
LONDON N.W.3	Rowland Smith Motors Ltd., 78-81 High Street, Hampstead.
LONDON N.W.6	Raymond Way Motors Ltd., 36-38 Willesden Lane.
LONDON N.W.9	O'Neill Bros., 190 Broadway, West Hendon.
LONDON N.W.10	Arun Motor Cycle Co. Ltd., 83-87 Church Road, Willesden.

ARIEL DISTRIBUTORS AND SPARES STOCKISTS—continued

LONDON N.W.10	Slocombs Ltd., 269-271 Neasden Lane.
LONDON E.C.4	Geo. Grose Ltd., Ludgate Circus.
LONDON E.6	E. E. Atkinson Motors Ltd., 415 Barking Road, East Ham.
LONDON E.6	Godfreys Ltd., 220 Barking Road, East Ham.
LONDON E.7	Godfreys Ltd., 418 Romford Road, Forest Gate
LONDON E.8	Eleanor Motors, 265-269 Mare Street, Hackney.
LONDON E.10	S. A. Coles Ltd., 364-368 High Road, Leyton.
LONDON E.11	Rivetts Ltd., 236 High Road, Leytonstone.
LONDON E.13	Sid. Franklin, 480 Barking Road, Plaistow.
LONDON E.16	Wag Bennett, 48-50 Victoria Dock Road.
LONDON E.18	E. S. Longstaff Ltd., 88-108 High Road, Woodford.
LONDON S.E.5	Marble Arch Motors Ltd., 286-302 Camberwell Road.
LONDON S.E.9	E. Beckett, 25 The Courtyard, High Street, Eltham.
LONDON S.E.10	M. F. Sharland Ltd., 125 Trafalgar Road, Greenwich.
LONDON S.E.11	Writers Ltd., 161-165 Kennington Lane.
LONDON S.E.13	F. Parks & Son Ltd., 404-404A High Street, Lewisham.
LONDON S.E.14	L. S. Corbett, 410-456 New Cross Road.
LONDON S.E.15	West End Motors Ltd., 171 High Street, Peckham.
LONDON S.E.18	Clear & Co. Ltd., 1 Woolwich High Street.
LONDON S.E.22	Tom Pullin Motors, 84 Lordship Lane, East Dulwich.
LONDON S.E.23	Blackpool & Co. Ltd., 224-228 Stanstead Road, Forest Hill.
LONDON S.E.24	J. T. Wise & Son Ltd., Railton Road, Herne Hill.
LONDON S.E.27	E. Withers, 88 Knights Hill, West Norwood.
LONDON S.W.2	T. C. Munday & Co. Ltd., 124 Dalberg Road, Brixton.
LONDON S.W.2	Geo. Clarke (Motors) Ltd., 278 Brixton Hill.
LONDON S.W.6	Claude Rye Ltd., 895 Fulham Road.
LONDON S.W.9	Pride & Clarke Ltd., 158 Stockwell Road, Brixton.
LONDON S.W.9	Gus Kuhn Motors, 275 Clapham Road.
LONDON S.W.11	Naylor & Root Ltd., 248-250 Lavender Hill, Clapham Junction.
LONDON S.W.12	Taylor Matterson Ltd., 81-85 Bedford Hill, Balham.
LONDON S.W.14	Ray Kempster, 346 Upper Richmond Road, East Sheen.
LONDON S.W.15	Putney Autos Ltd., 263 Putney Bridge Road.
LONDON S.W.17	Elite Motors Ltd., 951 Garrett Lane, Tooting.
LONDON S.W.19	Taylor Matterson Ltd., 81-83-85 Bedford Hill.
LONDON W.1	Godfreys Ltd., 208-210 Portland Street.
LONDON W.2	Marble Arch Motors Ltd., 113-115 Edgware Road.
LONDON W.3	Whitby's of Acton Ltd., 273 The Vale, Acton.
LONDON W.6	F. Freeman (Hammersmith) Ltd., 92-94 Hammersmith Bridge Rd.
LONDON W.6	Harry Nash (Motors) Ltd., 337-391 King Street, Hammersmith.
LONG EATON, Notts.	H. E. Butler, 72 Tamworth Road.
LOUGHBOROUGH, Leics.	Colmore Depot Ltd., 138 Nottingham Road.
LOUTH, Lincs.	C. G. B. Thompson, 10 Cornmarket.
LOWESTOFT, Suffolk	R. Wright, 67-69 London Road South.
LUTTERWORTH, nr. Rugby	Lutterworth Garage and Motor Works Ltd., Market Street.
LUTON, Beds.	B. G. England (Luton) Ltd., 39 Dunstable Road.
MACCLESFIELD	T. Simister, Hibel Road and Station Road.
MAIDENHEAD, Berks.	Bob White & Co., 13 York Road.
MAIDSTONE, Kent	Redhill Motors Ltd., 4 The Broadway.
MALDON, Essex	H. Nicholls, 120 High Street.
MANCHESTER	Colmore Depot Ltd., 17 Watson Street.
MANCHESTER	King's Motors (Oxford) Ltd., 770 Chester Road, Stretford.
MANSFIELD, Notts.	Henstocks, 128 Chesterfield Road North.
MARCH, Cambs.	H. Rose & Son, St. Peters Road.
MARKET DRAYTON	Abraham's, Shrewsbury Road.
MARKET HARBOROUGH	S. O. Chapman & Co., 96 Northampton Road.
MATFIELD, Kent	K.S. Motor Cycles.
MATLOCK	M. Mellor, Dale Road.
MELTON MOWBRAY, Leics.	W. H. Houghton & Co., 15 Nottingham Street.
MEXBOROUGH, Yorks.	Wilson Bros., 52 Main Street.
MIDDLESBROUGH	Wm. Armstrong Ltd., 379-381 Linthorpe Road.
MISTERTON, nr. Crewkerne, Som.	E. A. Taylor.
MITCHAM, Surrey	Millars Motors Ltd., 363 London Road.
MONMOUTH...	J. G. Davis, 53 Monnow Street.
NARBERTH, Pembs.	James Bowen & Sons (Llawhaden) Ltd., Llawhaden.
NEATH, Glam.	Fred Rist, 16-17 Windsor Road.
NELSON, Lancs.	J. H. Hebden Ltd., 71 Scotland Street.
NEWARK, Notts.	Blacknell Motors Ltd., 17 Northgate.
NEWBURY, Berks.	Wheeler's (Newbury) Ltd., Broadway.
NEW BARNET, Herts.	Eleanor Motors, 53-62 East Barnet Road.
NEWCASTLE-ON-TYNE	Dene Motor Co. Ltd., Haymarket.
NEWCASTLE-UNDER-LYME	Chas. E. Cope & Sons (Staffs.) Ltd., 10-12 George Street.
NEW MALDON, Surrey	Meetens Motor Mecca, Shannon Corner, Kingston By-Pass.
NEWPORT, I.o.W.	Stagg Motors Ltd., 24 South Street.
NEWPORT, Mon.	Alex Thom, 261 Corporation Road.
NEWTON ABBOT, Devon	J. E. Green & Co., 87 Queen Street.
NEWTON ST. LEIGH, Lancs.	Cliff Holden (Motors) Ltd., Market Buildings.
NEWQUAY, Cornwall	F. & F. J. Parkin, Parkland Garage.
NORTHAMPTON	Spokes & Son, 1 Henry Street.

ARIEL DISTRIBUTORS AND SPARES STOCKISTS—continued

NORTHWICH	Phil Carter, Edward Street.
NORWICH	Chapmans (Norwich) Ltd., 40-42 Duke Street.
NOTTINGHAM	Henstocks, Hollowstone Garage.
NUNEATON, Warwicks.	Nuneaton Motor Cycle Depot, 61 Abbey Street.
OAKENGATES, Salop	M. Luter & Son, The Garage, Priors Lee Road, Snedshill.
OLDHAM	Davenport Motors, 76-78 Lees Road.
OSWESTRY, Salop	E. Roy Evans (Motor Cycles), The Garage, Willow Street.
OXFORD	King's Motors (Oxford) Ltd., New Road.
PARKSTONE, Dorset	Homestead Garages, 228 Ringwood Road.
PENRITH, Cumb.	J. B. Milburn Ltd., Middlegate.
PENZANCE, Cornwall	T. F. Trevaskis, Esq., Parade Garage, Long Rock.
PETERBOROUGH	Burrows Bros., 57 Westgate.
PETERSFIELD, Hants.	F. W. Tew & Son, 20 Lavant Street.
PLYMOUTH	P. Pike & Co., 46 Union Street, Stonehouse.
PLYMOUTH	Kings Motors (Oxford) Ltd., Ford Park Corner, Mutley Plain.
PONTARDULAIS	T. Griffiths, Forest Garage.
PONTARDAWE, Glam.	H. Francis & Son, 12-14 High Street.
PONTEFRACT, Yorks.	Ewbank & Son, Townend.
PORTHCAWL, Glam.	Dunn & Alpin Ltd., 52 New Road.
PORTSLADE, Sussex	Beamish Motors Ltd., 123 Gardner Road.
PORTSMOUTH	E. W. Burnett & Sons, 5 Eldon Street.
PORTSMOUTH	Glanfield Lawrence Ltd., 147-151 Prutton Road.
PORTSMOUTH	Jenkins & Purser Ltd., 277-281 Copnor Road.
PORTSMOUTH	Jenkins & Purser Ltd., 144-148 Lake Road.
PORT TALBOT, Glam.	Dunn & Alpin Ltd., 56 Commercial Road.
PRESTON, Lancs.	Stan. Marks Ltd., 215-229 Lancaster Gate.
PULBOROUGH, Sussex	Gray & Rowsell, Bury Gate.
RAMSGATE, Kent	Philpott's Garage, Canterbury Road.
RAWTENSTALL, Lancs.	W. Snape, 3 Bacup Road.
READING, Berks.	Phillips & Bloomfield Ltd., 10-24 South Street.
READING, Berks.	Stocker & Shepherd Ltd., 4 Waylen Street.
READING, Berks.	Stocker & Shepherd Ltd., 129-131 Oxford Road.
REDCAR, Yorks.	J. T. Dickenson (Middlesbrough) Ltd., 160 Lord Street.
REDHILL, Surrey	Redhill Motor & Cycle Works Ltd., 50 Brighton Road.
REDRUTH, Cornwall	Joe Pengelly & Son, 85 Higher Fore Street.
RETFORD, Notts.	Lambert's Motor Cycle Depot, 72 Carrolgate.
RHONDDA, Glam.	Phil. Jones & Son, Ystrad.
RICHMOND, Surrey	Harwoods Motor Cycles, 14-18 Kewfoot Road.
RIPLEY, Yorks.	L. Middleton, Derby Road.
ROCHDALE, Lancs.	Ben. Drinkwater Ltd., 48 Milnrow Road.
ROMFORD, Essex	Brooklands Motor Cycle Spares Ltd., 94-98 North Street.
ROMFORD, Essex	Frewins Ltd., 13 and 14 The Pavement, Chadwell Heath.
ROSS-ON-WYE	Little & Hall, 48 Broad Street.
ROTHERHAM	Wilson Bros., 95 Sheffield Road.
RUGBY	Underwood's Garage Ltd., 1 Park Road.
RUSHDEN, Northants.	R. V. Burrows (Motor Cycles), 107 High Street.
RUSHTON SPENCER, Staffs.	Ron Deaville, Sugar Street.
RYE, Sussex	W. Camier, 7 Wish Ward.
SALISBURY, Wilts.	Pankhurst Ltd., 78-79 Exeter Street.
SALISBURY, Wilts.	Mavro & Son, St. Thomas's Square.
SANDBACH	Cliff. Dickenson, The Commons Garage.
SAXMUNDHAM, Suffolk	Earle & Kent Ltd., Chantry Road.
SCARBOROUGH	Fairbairn-Laycock Ltd., 10 Falsgrave Road.
SCUNTHORPE, Lincs.	R. L. Ward, 18-22 High Street.
SEVEN KINGS, Essex	Raymond Way Motors Ltd., 773 High Road.
SHEERNESS, Kent	Nokes Garage, 133, 150-152 High Street.
SHEFFIELD 2	Dan. Bradbury (Motor Cycles) Ltd., 224-230 London Road.
SHEFFIELD 2	Horridge & Wildgoose Ltd., 292 London Road.
SHIFNAL, Shrop.	M. Luter & Sons, 14 Market Place.
SHIPLEY, Yorks.	Messrs. Jeffries, 120 Saltaire Road.
SHIPSTON-ON-STOUR, Warwicks.	A. R. Taylor Garages Ltd., Church Street.
SHIRLEY, Warwicks.	The Central Motor Cycle and Cycle, 266 Stratford Road.
SHOREHAM, Sussex	Gray, Rowsell & Baker Ltd., Lower Brighton Road.
SHREWSBURY, Shrops.	J. C. Pickering, 49 Mardol.
SHREWSBURY, Shrops.	F. Purslow, 111 Fradkwell.
SHREWSBURY, Shrops.	F. Purslow Motor Cycles, 3 Greyfriars.
SIDCUP, Kent	Arrow Motor Works (Kent) Ltd., High Street, Footscray.
SIDMOUTH, Devon	Emery's of Exeter, All Saints Road.
SITTINGBOURNE, Kent	Sittingbourne Motor Cycles, 2 London Road.
SKIPTON, Yorks.	Craven Motor Co. Ltd., 40-42 High Street.
SLEAFORD, Lincs.	Ross Motors (Stamford) Ltd., Boston Road.
SLOUGH, Bucks.	Sid. Moram Ltd., Wexham Road Corner.
SLOUGH, Bucks.	Sid. Moram Ltd., 243 High Street.
SMETHWICK	Motor Sales Ltd., 1 St. Pauls Road.
SOLIHULL, Warwicks.	Mr. F. H. Barnes, 719 Warwick Road.
SOUTHAMPTON	Alec Bennett Ltd., 192 Portswood Road.
SOUTHAMPTON	Jenkins & Purser Ltd., 349-353 Shirley Road.

ARIEL DISTRIBUTORS AND SPARES STOCKISTS—continued

SOUTHEND-ON-SEA	Belle Vue Motors, 460-464 Southchurch Road.
SOUTHPORT, Lancs.	Lifes Motors Ltd., 3216 West Street.
SOUTHSEA, Hants.	E. W. Burnett & Sons, 5 Eldon Street.
SOUTH SHIELDS	G. Arthur Brown, 103 Fowler Street.
SPALDING, Lincs.	Gordon Woodman Ltd., 34 Fleet Street, Holbeach.
SPILSBY, Lincs.	A. W. Wildman, Motor Engineer and Dealer, Halton Road.
STAFFORD	Ernest H. Bunn, The Garage, 11 Newport Road.
STALYBRIDGE, Cheshire	W. Sellars & Sons, 174 Stamford Street and Mottram Road.
STAMFORD, Lincs.	Ross Motors Ltd., 1 Red Lion Street.
STAPLEFORD, Notts.	Ray Gamble, 79 Nottingham Road.
STOCKPORT	Warburton Bros., 260 London Road.
STOCKPORT, Cheshire	Theobald & Coppock, 6 Chestergate.
STOCKTON-ON-TEES	Stan Jones (Automobile Engineers) Ltd., Bridge Road.
STOKE-ON-TRENT	Broadway Motors, Liverpool Road.
STOKE-ON-TRENT	Ridgeways, 54-56 Market Street, Longton.
STONY STRATFORD, Bucks.	R. J. Fleming Ltd., 25 High Street.
STRATFORD-UPON-AVON	Mathews & Co. Ltd., 49-50 Mansell Street.
STREET, Som.	Jim Alves & Co., 97 High Street.
STROUD, Glos.	Williams & Thomas Ltd., Cainscross.
STURMINSTER NEWTON, Dorset	R. Hancock, Fifehead Neville.
ST. ALBANS, Herts.	W. M. Couper Ltd., Catherine Street.
ST. ANNES-ON-SEA	Autocars (St. Annes) Ltd., St. Davids Road South.
ST. AUSTELL, Cornwall	L. Avery & Son, 32 Slades Road.
ST. HELENS, Lancs.	Geoff. Duke Ltd., Greenfield Road Garage.
ST. IVES, Hunts.	Hallens (Hunt) Ltd., 8-10 The Broadway.
ST. LEONARDS, Hastings	Kings of Oxford (South Coast Branch), 132-136 London Road.
ST. LEONARDS-ON-SEA	Marina Motors Ltd., 5 Bexhill Road.
SUDBURY, Suffolk	W. C. Green, North Street.
SUNDERLAND	T. Cowie Ltd., Matamba Terrace, Hylton Road.
SUNDERLAND	Dunn's Garages Ltd., 53-54 North Bridge Street.
SUTTON-IN-ASHFIELD	Henstocks, Forest Street Garage.
SWANSEA, Glam.	J. Brayley, 15 Picton Place and 23 Dillwyn Street.
SWANSEA, Glam.	Handle Davies Ltd., 230 Oxford Street.
SWINDON, Wilts.	Swindon Motor Co. Ltd., 34 Wood Street.
TALSARNAU, Merioneth.	R. J. Williams, The Garage.
TAMWORTH, Staffs.	The Motor Cycle Shop, 72 Bolesbridge Street.
TAUNTON, Som.	W. P. Edwards (Motors) Ltd., Station Street.
THAMES DITTON, Surrey	Commerfords Ltd., Portsmouth Road.
THETFORD, Norfolk	W. & G. Lambert Ltd., Castle Street.
THIRSK, Yorks.	J. Moss, Finkle Street.
THORNBURY, nr. Bristol	T. H. Ashcroft, Silver Street.
THRAPSTON	Grays of Thrapston Ltd., Cundle Road.
TIVERTON, Devon	Bob Ray Ltd., 60 Bampton Street.
TORQUAY	J. E. Green & Co., 78 Tor Hill Road.
TRURO, Cornwall	W. H. Collins & Son, Kenwyn Mews.
TROWBRIDGE, Wilts.	Jack Plowright, Mill Street.
TUNBRIDGE WELLS, Kent	F. R. Philpot, 11 St. Johns Road.
TWICKENHAM, Middx.	Blay's of Twickenham, 192 Heath Road.
UTTOXETER, Staffs.	New Road Garage.
UXBRIDGE, Middx.	Miles Motors, 60 High Street.
WADEBRIDGE, Cornwall	D. W. Searle, Eddystone Garage.
WAKEFIELD, Yorks.	Parkinsons (Wakefield) Ltd., 38-52 Ings Road.
WALSALL, Staffs.	The Motor Cycle Mart Ltd., 12 Ablewell Street.
WARRINGTON, Lancs.	Jack Frodsham Ltd., 37A Winwick Street.
WARMINSTER, Wilts.	Alf. Hickin, 1 George Street.
WATFORD, Herts.	Lewis, Ellis & Foster Ltd., 204 Rickmansworth Road.
WATFORD, Herts.	Lloyd Cooper & Co. Ltd., 61 Queens Road.
WATFORD, Herts.	Marble Arch Motor Supplies Ltd., High Street.
WATFORD, Herts.	Watford Motor Cycle & Spares Service Ltd., 239-241 High St.
WELDON, Northants.	R. V. Burrows Motor Cycles, High Street.
WELLING, Kent	A. Francis, 178 Park View Road.
WELLINGTON, Salop	F. Purslow, 99 Kings Street.
WELLINGBOROUGH	W. H. Mason Ltd., 39 Midland Road.
WEMBLEY, Middx.	Bob Keeler Ltd., 129-131 Ealing Road.
WEM, Salop	Peter Moss, 17 New Street.
WEST HARTLEPOOL	Robt. Robinson Ltd., Avenue Road.
WESTON-SUPER-MARE	Wyverns of Weston Ltd., 47 Drove Road.
WEYBRIDGE, Surrey	E. P. Attfield, 106-108 Oatlands Drive.
WEYMOUTH	Pankhurst (Weymouth) Ltd., The Palladium, Town Bridge
WHITBY, Yorks.	Watkinsons Motors, 168 Church Street.
WHITEHAVEN, Cumberland	Mark Taylor, 21 King Street.
WIGAN	S. M. Miller, 74 Scholes.
WINKLEIGH, N. Devon	Bissett's Garage, Exeter Road.
WINSFORD	Cliff Dickenson, The Commons Garage, Sandbach, and Station Road.
WINCHESTER, Hants.	Perc. Small, 37 Middle Brook Street.
WOLVERHAMPTON	Kings Motors (Oxford) Ltd., 1 Birmingham Road.
WOLVERHAMPTON	Chas. E. Cope & Sons Ltd., 169 Stafford Street.

ARIEL DISTRIBUTORS AND SPARES STOCKISTS—continued

WORCESTER	W. J. Bladder & Son Ltd., 52 Sidbury.
WORKSOP	Kings Motors (Oxford) Ltd., 28-30 Gateford Road.
WORTHING, Sussex	Gray & Rowsell, 56 Broadwater Street West.
WREXHAM, Denbigh	Border Motor & Cycle Works Ltd., 15 Town Hill.
WHYTELEAFE, Surrey	Rapid Motors, 70-74 Godstone Road.
YEOVIL, Som.	Pankhurst (Weymouth) Ltd., 25-27 Sherborne Road.
YORK	J. D. Shearsmith, 43-47 Blossom Street.

SCOTLAND

ABERDEEN	Geo. Cheyne (Cycles) Ltd., 147 Holburn Street.
BRECHIN, Forfar	J. Duncan & Son, 3-5 St. Mary's Street.
DUNDEE	Geo. McLean Ltd., 30 Ward Road.
DUNDEE	J. A. Rodger, 12 Tannadice Street.
DUMFRIES	Grierson & Graham, 36 Church Crescent.
EDINBURGH 1	J. R. Alexander & Co. Ltd., 10-14 Lothian Road.
GLASGOW C.4	J. R. Alexander & Co. Ltd., 272-286 Gt. Western Road.
KIRKCALDY, Fife	The County Motors Ltd., Junction Road.
TOLLCROSS, Lanark.	Kings Motors (Oxford) Ltd., 55 Hamilton Road.

NORTHERN IRELAND

BELFAST	McIntyre Bros. (Belfast) Ltd., 52-56 May Street.
----------------	--

CHANNEL ISLES

GUERNSEY	H. C. Tostevin, Grande Rue Motor & Cycle Works, St. Martins.
JERSEY	Bissons, 59 Halkett Place.

Spares Stockists only

LONDON W.5	Kays of Ealing Ltd., 8-10 Bond Street, Ealing.
LONDON W.12	Turners Stores, 81-83 Goldhawk Road, Shepherds Bush.