

**LIST  
OF  
SPARE PARTS  
FOR  
ARIEL  
THE MODERN MOTOR CYCLE**



**MODEL LH  
COLT**

**ARIEL MOTORS LTD.  
SELLY OAK . . . . BIRMINGHAM 29  
Telephone: SELLY OAK 1381    Telegrams: ARIEL, SELLY OAK  
Cables: ARIEL, SELLY OAK (ENGLAND)**

**PLEASE NOTE**

Part Numbers quoted in this book are those prevailing at the time of publication, but we reserve the right to revise and introduce any modification deemed necessary at any time without prior notice.



**1956-57 MODEL LH  
COLT**

**Published September 1956**

CWW/TCP

**ARIEL MOTORS LTD.**

**SELLY OAK . . . . BIRMINGHAM 29**

**Telephone: SELLY OAK 1381    Telegrams: ARIEL, SELLY OAK  
Cables: ARIEL, SELLY OAK (ENGLAND)**

# 1956-57 MODEL LH 200 c.c. COLT

## INDEX

	Page		Page
Air Cleaner .. .. .	19	Front Mudguard.. .. .	14
Brake Pedal with Rod and Fittings .. .. .	12-13	Gearbox Components .. .. .	9-10
Battery .. .. .	22	Handlebars .. .. .	14
Carburettor Components .. .. .	20	Mudguard (Rear) .. .. .	15
Chain Covers .. .. .	17	Oil Pump .. .. .	7
Clutch Components .. .. .	10	Oil Tank .. .. .	18
Control Cables .. .. .	19	Petrol Tank .. .. .	17-18
Crankcase and Fittings .. .. .	6	Pillion Footrests .. .. .	13
Cylinder and Fittings .. .. .	5	Piston and Fittings .. .. .	6
Dualseat .. .. .	19	Rocker Box and Fittings .. .. .	5
Electrical Equipment .. .. .	21-22	Speedometer .. .. .	14
Engine Plates (Frame) .. .. .	12	Stand (Centre) .. .. .	12-13
Exhaust System .. .. .	18	Steering Head and Fittings .. .. .	14
Flywheel Assembly .. .. .	6-7	Timing Gear .. .. .	7
Footrests .. .. .	12-13	Tool Kit .. .. .	19
Frame and Components .. .. .	12	Valves and Fittings .. .. .	5
Front Forks and Fittings .. .. .	13-14	Wheel and Hub (Front).. .. .	15-16
		Wheel and Hub (Rear) .. .. .	16

**NOTE.**—The letters R/S and L/S mean the right-hand side and left-hand side respectively when the rider is on the saddle.

**ARIEL MOTORS LIMITED  
PROPRIETARY EQUIPMENT AND ACCESSORIES**

Although every effort is made to obtain the most suitable and highest quality fittings of a proprietary nature for incorporating into our Motor Cycles, our guarantee does not cover such parts.

In the event of trouble being experienced with proprietary fittings, the part or parts should be returned to and claims made direct on the actual manufacturers, who will deal with them on the terms of their respective guarantees. Date of purchase and mileage covered should always be clearly stated.

---

**CARBURETTORS**

AMAL LTD.  
Holdford Road, Witton, Birmingham 6

---

**CHAINS**

THE REYNOLD AND COVENTRY CHAIN CO. LTD.  
Didsbury, Manchester

---

**ELECTRICAL EQUIPMENT**

WICO-PACY SALES CORPORATION LTD.  
Denbigh Road, Blechley, Bucks.

---

**HORNS**

CLEAR HOOTERS LTD.  
33 Hampton Street, Birmingham 19  
Messrs. JOSEPH LUCAS LTD. (Service Dept.)  
Great King Street, Birmingham 19 and Great Hampton Street, Birmingham 18

---

**BATTERIES**

CHLORIDE BATTERIES LTD.  
Exide Works, Clifton Junction, Swinton, Manchester

---

**SPEEDOMETERS**

Messrs. S. SMITH (MA) LTD.  
Cricklewood, London

---

**TYRES**

THE AVON INDIA RUBBER COMPANY LTD.  
Melksham, Wilts.

---

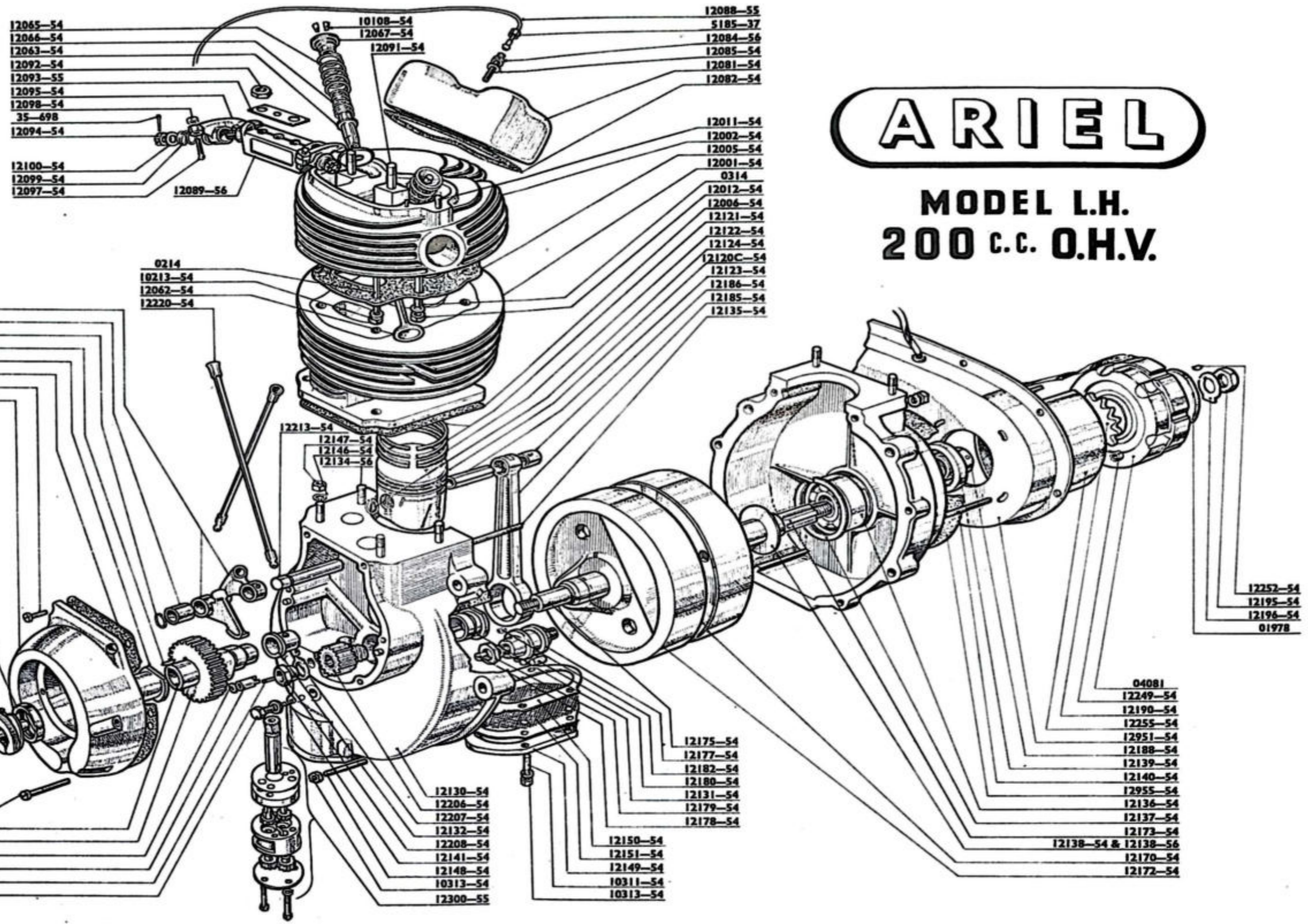
**SPARKING PLUGS**

CHAMPION SPARKING PLUG CO. LTD.  
Feltham, Middlesex  
LODGE PLUG CO. LTD.  
Rugby

---

**GEARBOXES**

Messrs. BURMAN & SONS LTD.  
Wychall Lane, Kings Norton, Birmingham 30



**CYLINDER AND FITTINGS**

12001-54	Cylinder barrel (200 c.c.)	1	..
12002-54	Cylinder head c/w valve guides and studs	1	..
12005-54	Head gasket	1	..
12006-54	Cylinder base washer	1	..
12009-56	Induction pipe	1	..
0214	Cylinder head stud (3 $\frac{3}{16}$ " x $\frac{1}{8}$ " )	2	..
0314	Cylinder head stud (3 $\frac{3}{16}$ " x $\frac{1}{8}$ " x 26 T.P.I.)	5	..
95-54	Carburetter flange joint washer	3	..
10337-54	Carburetter flange stud	4	..
10308-54	Nut for 12011-54 stud	1	..
12011-54	Stud for steady stay and cylinder head	1	..
12012-54	Nut for cylinder head stud	5	..
10213-54	Nut for head stud for 0214 stud	2	..
12016-54	Washer for 0314 stud	5	..
10037-54	Washer for 0214 stud	2	..
10213-54	Nut for carburetter stud	2	..
12019-54	Carburetter flange distance piece (Tufnol)	1	..
12021-54	Engine steady stay	1	..
12022-54	Clip securing steady stay to frame	1	..
12023-54	Bolt for clip	1	..
10213-54	Nut for bolt	1	..
12024-54	Spring washer for 10337-54 stud	2	..

**VALVES AND FITTINGS**

12061-54	Valve, exhaust	1	..
12062-54	Valve, inlet	1	..
12063-54	Valve guide	2	..
12065-54	Valve spring, outer	2	..
12066-54	Valve spring, inner	2	..
12067-54	Valve spring collar	2	..
12068-54	Valve spring cup	2	..
10108-54	*Split cone (two halves)	2	..

Note—One split cone consists of two halves.

GS122-54	Set engine joint washers and gaskets	per set	..
----------	--------------------------------------	---------	----

**ROCKER BOX FITTINGS**

12081-54	Rocker box cover	1	..
12082-54	Rocker box cover joint washer	1	..
12084-56	Bolt for rocker box cover	1	..
12085-54	Fibre washer for 12084-56 bolt	1	..
859B-49	Dowel peg for rocker cover	2	..
12088-55	Rocker oil feed pipe	1	..
12089-56	Valve rocker trunnion	1	..
12090-54	Rocker distance washer	2	..
12091-54	Stud for trunnion	2	..
12092-54	Nut for trunnion stud	2	..
12093-55	Locking plate for trunnion	1	..
12094-54	Nut securing rocker lever to trunnion	2	..
35-698	Split pin for 12094-54 nut	2	..
12095-54	Rocker lever, inlet	1	..
12096-54	Rocker lever, exhaust	1	..
12097-54	Rocker adjusting screw	2	..
12098-54	Locknut for adjusting screw	2	..
12099-54	Rocker spindle spring	2	..
12100-54	Rocker spindle washer (plain)	2	..
5185-37	Union nut for rocker oil feed pipe	1	..

**PISTON AND FITTINGS**

12120C-54	Piston complete .. .. .	1	..
12121-54	Piston ring (comp.) .. .. .	2	..
12122-54	Piston ring (oil control) .. .. .	1	..
12123-54	Gudgeon pin .. .. .	1	..
12124-54	Circlip .. .. .	2	..

Note—Piston complete comprises: piston, rings, gudgeon pin and circlips.

**CRANKCASE AND FITTINGS**

12130-54	Crankcase c/w fixed fittings .. .. .	1	..
12131-54	Engine shaft bush (gear side) .. .. .	1	..
12132-54	Camshaft bush .. .. .	1	..
12134-54	Cylinder base stud .. .. .	6	..
12135-54	Stud connecting crankcase halves (top) .. .. .	2	..
10311-54	Oil sump base cover stud .. .. .	4	..
12136-54	Crankcase bearing (drive side) .. .. .	1	..
12137-54	Spring ring for crankcase bearing .. .. .	1	..
12138-54	Crankcase bearing oil retaining washer .. .. .	1	..
12138-56	Crankcase bearing oil retaining washer (fly-wheel side) .. .. .	1	..
12139-54	Crankcase oil seal .. .. .	1	..
12140-54	Alternator stator fixing stud .. .. .	3	..
12141-54	Crankcase oil valve spring .. .. .	1	..
	$\frac{3}{16}$ " dia. ball for oil valve .. .. .	1	..
12142-54	Crankcase oil valve retaining screw .. .. .	1	..
12143-54	Washer for 12142-54 screw .. .. .	1	..
12143-54	Washer for 12144-54 adaptor .. .. .	2	..
12144-54	Crankcase oil pipe adaptor .. .. .	2	..
12146-54	Spring washer for cylinder base stud .. .. .	6	..
12147-54	Nut for cylinder base stud .. .. .	6	..
12148-54	Stud (short) connecting two halves of crankcase .. .. .	4	..
10313-54	Crankcase stud nut .. .. .	10	..
12149-54	Oil sump cover .. .. .	1	..
12150-54	Washer for sump cover .. .. .	2	..
12151-54	Gauze for oil sump .. .. .	1	..
12152-54	Washer for sump cover stud nut .. .. .	4	..
10313-54	Nut for sump cover stud .. .. .	4	..
12155-54	Drain plug .. .. .	1	..
12085-54	Drain plug washer .. .. .	1	..

**FLYWHEEL ASSEMBLY**

12170-54	Flywheel (drive side) c/w fixed fittings .. .. .	1	..
12172-54	Flywheel (gear side) c/w fixed fittings .. .. .	1	..
12173-54	Engine shaft (drive side) .. .. .	1	..
12175-54	Engine shaft (gear side) .. .. .	1	..
10404-54	Engine shaft plug (gear side) .. .. .	1	..
12177-54	Crankpin .. .. .	1	..
12178-54	Grub screw for crankpin .. .. .	1	..
12179-54	Crankpin nut .. .. .	2	..
12180-54	Crankpin roller bearing ( $\frac{1}{2}$ " x $\frac{1}{2}$ " dia.) .. .. .	15	..
12182-54	Crankpin key .. .. .	1	..

Order by SPARES No.	DESCRIPTION OF PART	No. per Set	PRICE EACH
12184-54	Connecting rod c/w crankpin, rollers and S.E. bush .. .. .	1	..
12185-54	Connecting rod c/w S.E. bush .. .. .	1	..
12186-54	Small end bush .. .. .	1	..
12188-54	Engine breather collar complete .. .. .	1	..
12190-54	Engine sprocket (17T) .. .. .	1	..
12192-54	Engine sprocket alignment washer .. .. .	as reqd.	..
12193-54	Engine sprocket alignment washer .. .. .	as reqd.	..
12195-54	Engine shaft nut .. .. .	1	..
12196-54	Engine shaft lockwasher .. .. .	1	..

### TIMING GEAR

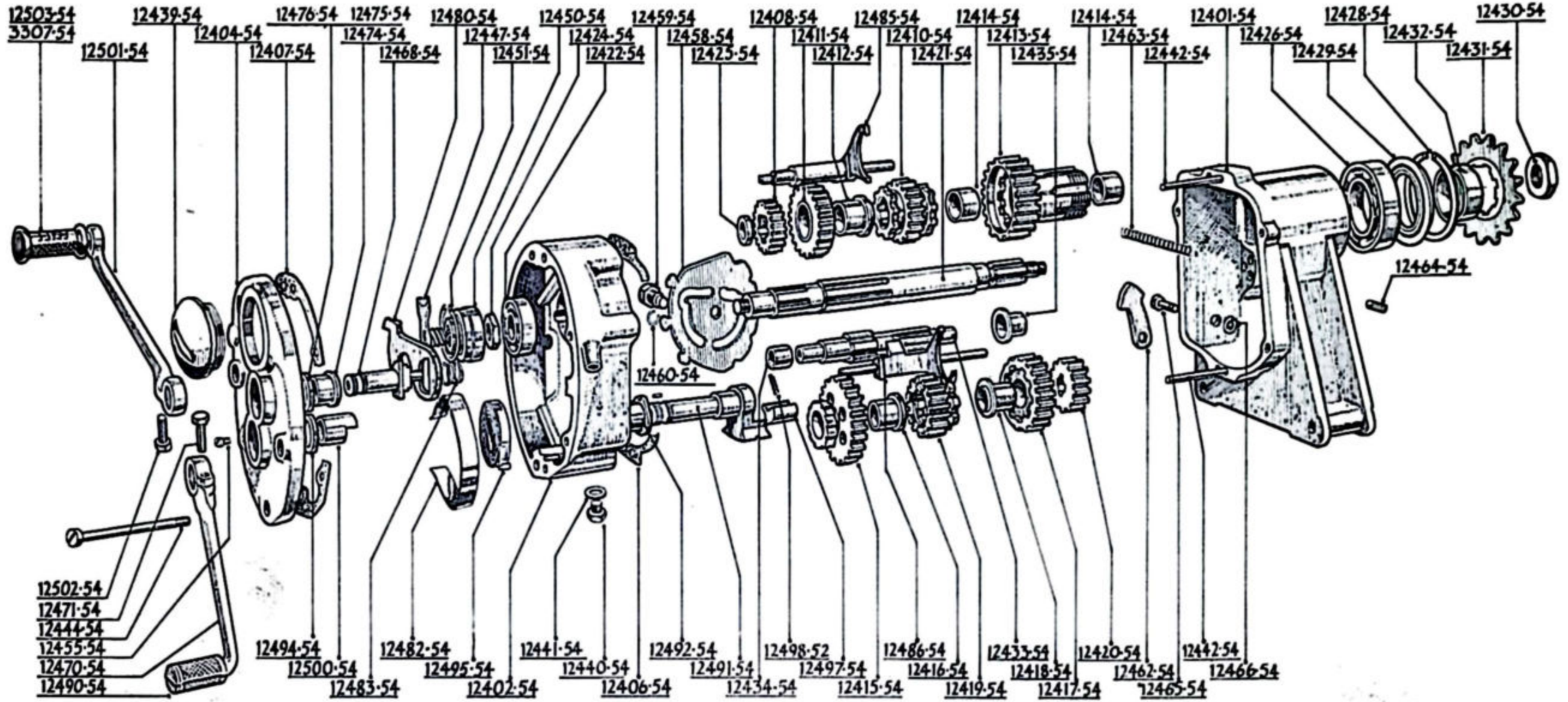
12200-55	Camshaft .. .. .	1	..
12202-54	Camshaft pinion .. .. .	1	..
12182-54	Camshaft pinion key .. .. .	1	..
12204-54	Camshaft shim .. .. .	as reqd.	..
12206-54	Engine shaft timing pinion .. .. .	1	..
10428-54	Key for timing pinion .. .. .	1	..
12207-54	Timing pinion lockwasher .. .. .	1	..
12208-54	Nut for timing pinion .. .. .	1	..
12210-54	Cam lever, inlet and exhaust .. .. .	2	..
12213-54	Cam lever spindle .. .. .	1	..
12214-54	Distance piece for cam spindle .. .. .	1	..
12215-54	Circlip for cam spindle .. .. .	1	..
12220-54	Push rod complete .. .. .	2	..
12225-54	Contact breaker casing c/w bush and oil seal .. .. .	1	..
12226-54	Bush for contact breaker case .. .. .	1	..
12228-54	Camshaft oil seal .. .. .	1	..
12230-54	Joint washer for contact breaker casing .. .. .	1	..
12233-54	Outer cover for contact breaker casing .. .. .	1	..
12235-54	Screw (long) for contact breaker casing .. .. .	4	..
12236-54	Screw (short) for contact breaker casing .. .. .	2	..
12240-54	Screw for contact breaker casing outer cover .. .. .	2	..
12242-54	Contact breaker bolt .. .. .	1	..
12243-54	Nut for 12242-54 bolt .. .. .	1	..
12244-54	Washer for 12242-54 bolt .. .. .	1	..
12246-54	Contact breaker screw .. .. .	2	..
12247-54	$\frac{3}{16}$ " shakeproof washer for contact breaker .. .. .	2	..
12248-54	Contact breaker washer .. .. .	2	..
10312-54	Spring washer for 12242-54 bolt .. .. .	1	..
12249-54	Alternator nut .. .. .	3	..
12152-54	Alternator washer .. .. .	4	..
12252-54	Alternator key .. .. .	1	..
12255-54	Alternator housing .. .. .	1	..
12257-54	Spinner for alternator .. .. .	1	..
12260-54	Stator distance piece .. .. .	3	..

### OIL PUMP

12300-55	Oil pump complete .. .. .	1	..
12314-54	Oil pump fixing bolt .. .. .	2	..
12315-54	Spring washer for bolt .. .. .	2	..
12316-54	Oil pump top plate washer .. .. .	1	..
12317-54	Oil pump joint washer (fibre) .. .. .	1	..
12320-54	Oil pump driving spindle retaining pin .. .. .	1	..



**EXPLODED VIEW OF GEARBOX (TYPE GB33)**



**GEARBOX PARTS**
**(Type GB33)**
**MODEL LH COLT**
**Makers: Messrs. BURMAN & SONS LTD.,  
Wychall Lane, Kings Norton, Birmingham 30.**

Order No.	Description of Part	No. per Set	Price Each
GB33	Gearbox complete, less clutch	1	..
12401-54	Gearbox case only	1	..
12402-54	Kick-starter case	1	..
12404-54	Kick-starter case cover	1	..
12406-54	Joint washer (gearbox to case)	1	..
12407-54	Joint washer (case to cover)	1	..
12408-54	First gear mainshaft	1	..
12410-54	Second gear mainshaft	1	..
12411-54	Third gear mainshaft	1	..
12412-54	Third gear mainshaft bush	1	..
12413-54	Driving gear	1	..
12414-54	Driving gear bush	2	..
12415-54	First gear layshaft	1	..
12416-54	First gear layshaft bush	1	..
12417-54	Second gear layshaft	1	..
12418-54	Second gear layshaft bush	1	..
12419-54	Third gear layshaft	1	..
12420-54	Layshaft pinion	1	..
12421-54	Mainshaft	1	..
12422-54	Mainshaft bearing	1	..
12424-54	Mainshaft nut (kick-starter end)	1	..
12425-54	Mainshaft spacer washer (kick-starter end)	1	..
12426-54	Driving gear bearing	1	..
12428-54	Driving gear bearing retaining ring	1	..
12429-54	Driving gear oil seal c/w housing	1	..
12429-55	Driving gear oil seal (outer) (cork)	1	..
12430-54	Driving gear nut	1	..
12431-54	Driving sprocket (17T)	1	..
12432-54	Driving sprocket spacing collar	1	..
12433-54	Layshaft	1	..
12434-54	Layshaft bush (kick-starter end)	1	..
12435-54	Layshaft bush (clutch end)	1	..
12437-54	Layshaft cover washer	1	..
12439-54	Filler plug	1	..
12440-54	Drain plug	1	..
12441-54	Drain plug washer	1	..
12442-54	Dowel (gearbox-case-cover)	4	..
12443-55	Dowel (layshaft bush, clutch end)	1	..
12444-54	Screw (gearbox-case-cover)	5	..
12447-55	Clutch operating screw and lever assembly	1	..
12450-55	Clutch operating screw nut	1	..
12451-54	Retaining ring	1	..
12452-55	Clutch screw ball ( $\frac{1}{8}$ " dia.)	1	..
12454-54	Washer (fibre) (fixing screws)	6	..
12454-55	Washer for clutch screw worm (lipped)	1	..
12455-54	Oil level plug	1	..
12456-55	Screw (clutch adjusting)	1	..
12457-55	Spring (clutch adjusting)	1	..
12458-54	Cam	1	..
12459-54	Cam centre pin	1	..
12460-54	Cam centre pin lockwasher	1	..
12462-54	Pawl	1	..
12463-54	Pawl spring	1	..
12464-54	Pawl spring plug	1	..

Order by  
SPARES  
No.

DESCRIPTION OF PART

No.  
per Set

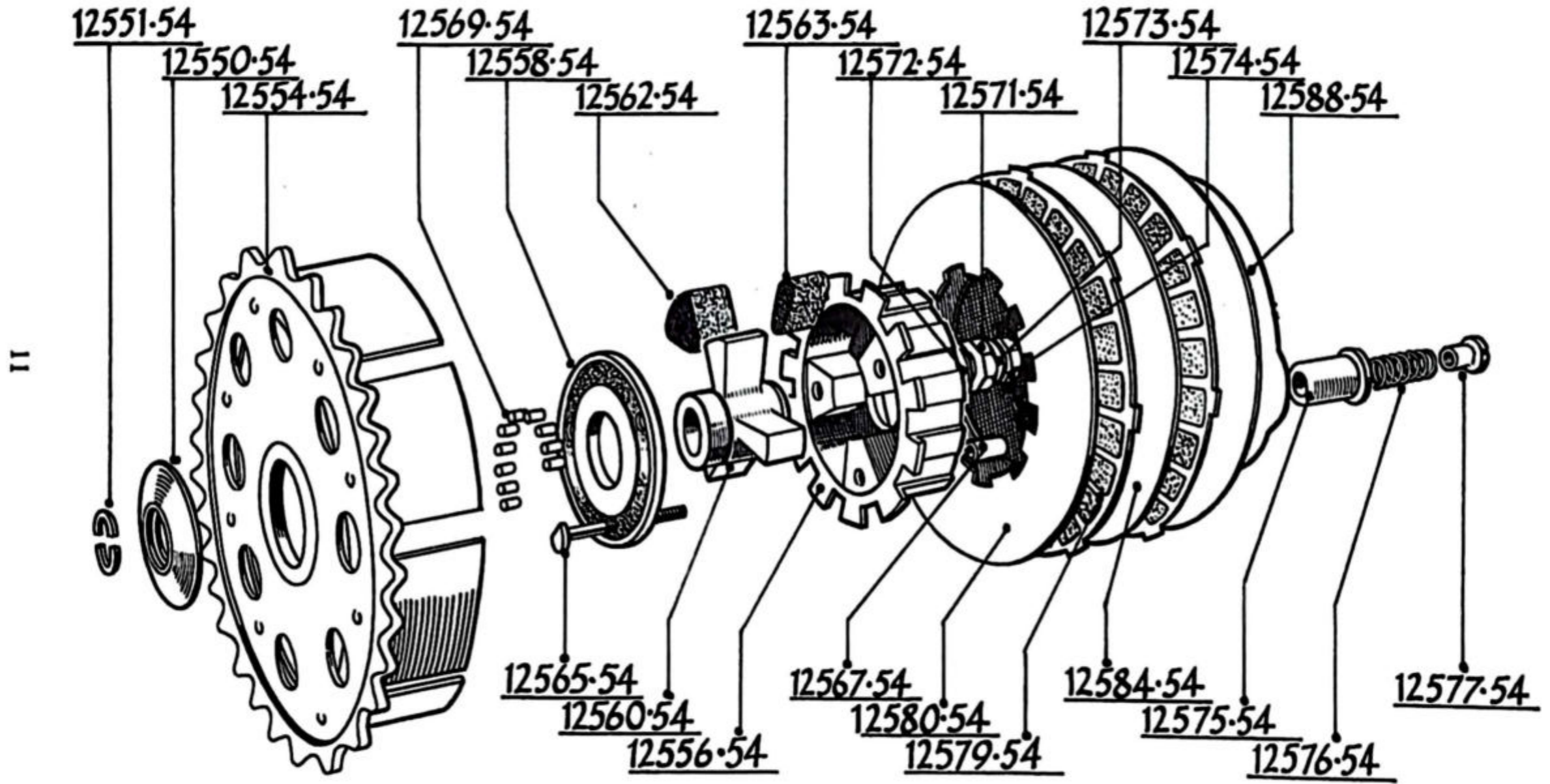
PRICE  
EACH

12465-54	Pawl pin	1	..
12466-54	Pawl retaining ring	1	..
12468-54	Footchange spindle	1	..
12470-54	Footchange lever	1	..
12471-54	Footchange lever bolt	1	..
12473-54	Footchange spindle bush (inner)	1	..
12474-54	Footchange spindle bush (outer)	1	..
12475-54	Footchange spindle oil seal	1	..
12476-54	Footchange spindle oil seal washer	1	..
12480-54	Quadrant	1	..
12482-54	Return spring (primary)	1	..
12483-54	Return spring (secondary)	1	..
12485-54	Operating fork (mainshaft)	1	..
12486-54	Operating fork (layshaft)	1	..
12490-54	Footchange lever rubber pad	1	..
12491-54	Kick-starter spindle	1	..
12492-54	Kick-starter spindle bush	1	..
12493-54	Kick-starter spindle oil seal	1	..
12494-54	Kick-starter spindle oil seal washer	1	..
12494-55	Retaining washer (kick-starter spring)	1	..
12495-54	Kick-starter spring	1	..
12496-54	Kick-starter spring pin	1	..
12497-54	Ratchet pawl	1	..
12498-54	Ratchet pawl spring	1	..
12443-54	Dowel (kick-starter bush)	1	..
12500-54	Kick-starter spindle bush	1	..
12501-54	Kick-starter lever	1	..
12502-54	Kick-starter lever bolt	1	..
12503-54	Kick-starter lever pedal	1	..

CLUTCH PARTS

12550-54	Clutch thrust washer	1	..
12551-54	Clutch thrust washer abutment ring	1	..
12554-54	Clutch chainwheel assembly	1	..
12556-54	Clutch centre	1	..
12558-54	End plate for clutch centre	1	..
12560-54	Vane for clutch centre	1	..
12562-54	Clutch cush drive rubber (large)	3	..
12563-54	Clutch cush drive rubber (small)	3	..
12565-54	Clutch spring bolt	3	..
12567-54	Clutch spring nut distance tube	3	..
12569-54	Clutch roller bearing (18 per set)	per set	..
12571-54	Clutch securing nut	1	..
12572-54	Clutch securing nut washer	1	..
12573-54	Clutch securing locknut washer	1	..
12574-54	Clutch securing locknut, left-hand thread	1	..
12575-54	Clutch spring cup	3	..
12576-54	Clutch spring	3	..
12577-54	Clutch spring nut	3	..
12579-54	Clutch plate c/w inserts	2	..
12580-54	Clutch driven plate (rear) (thick)	1	..
12583-54	Clutch plate inserts (48 per set)	per doz.	..
12584-54	Clutch driven plate (thin)	1	..
12586-55	Clutch push rod ( $\frac{1}{8}$ " dia.)	1	..
12588-54	Clutch spring plate complete	1	..
3792-52	Clutch cable adjuster	1	..
3793-52	Locknut for adjuster	1	..

### EXPLODED VIEW OF CLUTCH



**FRAME AND FITTINGS**

12600-54	Frame only with fixed fittings	..	..	1	..
12602-54	Front engine plate	..	..	2	..
12606-54	Bolt for front engine plate	..	..	1	..
12608-54	Nut for bolt	..	..	1	..
12610-54	Stud for front engine plate	..	..	1	..
12611-54	Front engine plate frame bolt washer	..	..	1	..
12612-54	Gearbox connecting bolt	..	..	2	..
12613-54	Washer for bolt	..	..	2	..
12614-54	Spring washer for bolt	..	..	2	..
12615-54	Nut for gearbox connecting bolt	..	..	2	..
12617-54	Crankcase-engine stud	..	..	4	..
12618-54	Bolt for coil ignition unit	..	..	1	..
10308-54	Engine plate stud nut	..	..	9	..
10217-54	Engine plate stud washer	..	..	10	..
12677-54	Grease nipple for steering head	..	..	1	..
12619-54	Washer for 12618-54 bolt	..	..	2	..
12620-54	Nut for 12618-54 bolt	..	..	1	..

**SPRING FRAME REAR SUSPENSION**

12650-54	Plunger tube assembly	..	..	2	..
12651-54	Rear fork end lug, L/S	..	..	1	..
12652-54	Rear fork end lug, R/S	..	..	1	..
12655-54	Bolt for fork end lug	..	..	2	..
12656-54	Washer for bolt	..	..	2	..
12657-54	Nut for bolt	..	..	2	..
12660-54	Rebound spring outer cover	..	..	2	..
12661-54	Rebound spring inner cover	..	..	2	..
12663-54	Plunger spring bottom collar	..	..	2	..
12663-54	Rebound spring top collar	..	..	2	..
12665-54	Rebound spring (bottom)	..	..	2	..
12666-54	Rubber buffer for plunger stop	..	..	4	..
12667-54	Plunger spring inner cover	..	..	2	..
12668-54	Plunger spring (top)	..	..	2	..
12669-54	Plunger spring top collar	..	..	2	..
12671-54	Plunger spring outer cover	..	..	2	..
12672-54	Plunger column	..	..	2	..
12673-54	Plunger column bottom bolt	..	..	2	..
12674-54	Plunger column top bolt, L/S	..	..	1	..
12675-56	Plunger column top bolt, R/S	..	..	1	..
12676-54	Nuts for plunger column bolts	..	..	4	..
10037-54	Shakeproof washer	..	..	4	..
12677-54	Grease nipple for fork end lug	..	..	2	..

**FOOTREST, BRAKE PEDAL, BRAKE ROD AND CENTRE STAND**

12680-54	Centre stand only	..	..	1	..
12681-54	Stand connecting link (U shape)	..	..	1	..
10030-54	Connecting link washer	..	..	1	..
12682-54	Split pin for link	..	..	1	..
12683-54	Footrest rod locating plate	..	..	2	..
12684-54	Footrest rod	..	..	1	..
12685-54	Stand and brake pedal pivot sleeve	..	..	2	..
12686-55	Centre stand spring	..	..	1	..
12687-54	Spring washer for footrest rod	..	..	2	..
12688-54	Washer for footrest rod	..	..	2	..
12689-54	Nut for footrest rod	..	..	2	..

Order by  
SPARES  
No.

DESCRIPTION OF PART

No.  
per Set

PRICE  
EACH

12690-54	Footrest .. .. .	2	..
12691-54	Rubber pad for footrest .. .. .	2	..
12692-54	Rear brake pedal .. .. .	1	..
12693-54	Brake pedal return spring .. .. .	1	..
12694-54	Brake pedal adjuster .. .. .	1	..
12695-54	Washer for adjuster .. .. .	1	..
12152-54	Spring washer for adjuster .. .. .	1	..
12620-54	Nut for adjuster .. .. .	1	..
12696-54	Brake rod .. .. .	1	..
12697-54A	Washer for rod (front end) .. .. .	1	..
12682B-54	Split pin for rod .. .. .	1	..
12698-54	Swivel pin (rear brake lever) .. .. .	1	..
12620-54	Nut for brake rod .. .. .	1	..
12620-55	Brake rod adjuster nut .. .. .	1	..
12699-54	Spring for rear brake rod .. .. .	1	..

PILLION FOOTREST

12700-54	Pillion footrest support .. .. .	2	..
12701-54	Anchor bolt for footrest .. .. .	2	..
12703-54	Spring washer for bolt .. .. .	2	..
12147-54	Nut for bolt .. .. .	2	..
12705-54	Footrest (1956 Model) .. .. .	2	..
12705-57	Footrest (1957 Model) .. .. .	2	..
12707-54	Bolt for footrest .. .. .	2	..
10037-54	Washer for bolt .. .. .	2	..
10239-54	Nut for bolt .. .. .	2	..
12708-54	Footrest fixing bolt .. .. .	4	..
12709-57	Footrest rubber pad (1957 Model) .. .. .	2	..
10037-54	Footrest fixing bolt washer .. .. .	4	..
10213-54	Nut for 12708-54 bolt .. .. .	4	..

FRONT FORKS AND FITTINGS

12720-54	Front forks complete .. .. .	1	..
12721-54	Outer cover and headlamp bracket, R/S .. .. .	1	..
12722-54	Outer cover and headlamp bracket, L/S .. .. .	1	..
12724-54	Sliding tube assembly, R/S .. .. .	1	..
12725-54	Sliding tube assembly, L/S .. .. .	1	..
10037-54	Fork end bolt washer .. .. .	1	..
12727-54	Bolt for fork end .. .. .	1	..
12728-54	Fork shaft .. .. .	2	..
12730-54	Top bearing .. .. .	2	..
12731-54	Bottom bearing .. .. .	2	..
12732-54	Plug for fork shaft (H301) .. .. .	2	..
12733-54	Circlip for top bearing .. .. .	2	..
12734-54	Oil seal holder complete .. .. .	2	..
12735-54	Oil seal .. .. .	2	..
12736-54	Fork spring .. .. .	2	..
12738-54	Steering column and crown (H308) .. .. .	1	..
12739-54	Bolt for steering crown clip .. .. .	2	..
10308-54	Nut for bolt .. .. .	2	..
10037-54	Washer for bolt .. .. .	2	..
12740-54	Steering stop bolt .. .. .	2	..
12741-54	Front fork top yoke .. .. .	1	..
12742-54	Clamp bolt for yoke .. .. .	1	..
10030-54	Washer for clamp bolt .. .. .	1	..
12657-54	Nut for clamp bolt .. .. .	1	..
12743-54	Fork end drain plug .. .. .	2	..

Order by SPARES No.	DESCRIPTION OF PART	No. per Set	PRICE EACH
12744-54	Washer for plug .. ..	2	..
12745-54	Handlebar securing cap c/w studs ..	1	..
10037-54	Washer for 12745-54 cap stud ..	4	..
12746-54A	Top bush shim, .010" thick ..	as reqd.	..
12746-54B	Top bush shim, .020" thick ..	as reqd.	..
12746-54C	Top bush shim, .030" thick ..	as reqd.	..
H8-55	Front fork top nut .. ..	2	..
H111-55	Washer for H8-55 nut .. ..	2	..
10406-54	Nut for handlebar securing cap stud ..	4	..
12749-54	Distance piece for headlamp ..	2	..

**STEERING HEAD FITTINGS**

12755-54	Ball race cone (top) .. ..	1	..
12756-54	Ball race cone (bottom) .. ..	1	..
12757-54	Ball race cup (frame head lug) ..	2	..
S9-1	Steel ball ( $\frac{3}{16}$ " dia.) .. ..	per set of 48	..
12758-54	Steering head dust cap .. ..	1	..
12759-54	Adjusting sleeve .. ..	1	..
12760-54	Cap for adjusting sleeve .. ..	1	..

**HANDLEBARS AND FITTINGS**

12762-55	Handlebar c/w horn push .. ..	1	..
----------	-------------------------------	---	----

**SPEEDOMETER**

Makers: Messrs. S. SMITH (MA) LTD.,  
Cricklewood, London.

12766-54	Speedometer head complete (70 m.p.h.) ..	1	..
12767-54	Speedometer cable complete .. ..	1	..
12769-56	Speedometer head fixing nut .. ..	2	..

**FRONT MUDGUARD**

12800-55	Front mudguard .. ..	1	..
12801-55	Mudguard top and bottom stay ..	2	..
12832-54	Bolt for stays .. ..	4	..
12832-54	Bolt fixing guard to centre stay ..	2	..
12810-54	Mudguard support bridge .. ..	1	..
12811-54	Fibre washer .. ..	2	..
12249-54	Nut for 12832-54 bolt .. ..	6	..
12812-54	Bolt securing centre stay to fork ..	4	..
12619-54	Washer for 12832-54 bolt .. ..	6	..
12152-54	Spring washer for 12832-54 bolt ..	6	..
12804-54	Bolt, stay centre fixing .. ..	4	..
12024-54	Washer for bolt .. ..	4	..
12809-54	Nut for bolt .. ..	4	..
10037-54	Washer for 12812-54 bolt .. ..	4	..
10213-54	Nut for 12812-54 bolt .. ..	4	..
4745-53	Front number plate .. ..	1	..
4743-53	Rubber moulding for number plate ..	1	..
S19-2	Washer for number plate .. ..	2	..
S1-2	Nut securing number plate .. ..	2	..

**REAR MUDGUARD AND FITTINGS**

12820-55	Rear mudguard c/w fixed fittings ..	1	..
12822-55	Rear mudguard stay assembly, L/S ..	1	..
12823-55	Rear mudguard stay assembly, R/S ..	1	..
12827-54	Bolt for stays (rear) .. .. .	2	..
12828-54	Distance piece for stays .. .. .	2	..
12828-54	Distance piece for dualseat .. .. .	3	..
S19-3	Packing washer .. .. .	2	..
12830-56	Mudguard bridge, dualseat rear bracket ..	1	..
12832-54	Bolt securing bridge to guard .. .. .	2	..
12832-54	Number plate fixing bolt (bottom) ..	1	..
12833-54	Stud (long) fixing guard to frame ..	1	..
12834-54	Nut for 12833-54 stud .. .. .	2	..
12837-56	Bolt fixing rear guard to frame (front) ..	1	..
12834-54	Nut for bolt .. .. .	3	..
12152-54	Washer for bolt .. .. .	1	..
12839-54	Washer (large) for bolt .. .. .	1	..
12840-54	Bolt (dualseat stay) .. .. .	2	..
10037-54	Spring washer for bolt .. .. .	2	..
12841-54	Washer .. .. .	2	..
12676-54	Nut for bolt .. .. .	2	..
12834-54	Nut for dualseat, mudguard bridge bolt ..	2	..
12244-54	Washer for mudguard, dualseat bolt ..	2	..
12152-54	Washer for dualseat, mudguard bridge bolt	2	..
12844-55	Rear number plate .. .. .	1	..
5650-53	Rubber moulding for number plate ..	1	..
12848-55	Reflector .. .. .	1	..
12849-55	Base for reflector .. .. .	1	..
13209-54	Spacing washer between tool box and mud- guard .. .. .	1	..
13209-54	Mudguard fixing bolt distance piece ..	1	..
13210-56	Rear mudguard distance tube .. .. .	1	..
5656-55	Spire nut fixing number plate .. .. .	2	..
5660-55	Spire bolt fixing number plate .. .. .	2	..
12847-57	Rubber grommet for number plate (1957 Model only) .. .. .	1	..

**FRONT WHEEL ASSEMBLY**

12860-54	Front wheel complete, less tyre and tube ..	1	..
12861-54	Front wheel hub, rim and spokes, built up	1	..
12863-54	Front wheel rim (WM1-19), chrome finish	1	..
12866-54	Spoke, R/S and L/S (10G x 8 $\frac{1}{2}$ " .. .. .	40	..
12868-54	Spoke nipple .. .. .	40	..
12870-54	Front hub c/w with bearing cups .. .. .	1	..
12871-54	Front hub cup .. .. .	2	..
	Steel ball ( $\frac{5}{16}$ " dia.) (22 per set) .. .. .	per set	..
12873-54	Front hub spindle .. .. .	1	..
12874-54	Hub spindle nut .. .. .	2	..
12875-54	Hub felt retaining washer .. .. .	2	..
12876-54	Cup for felt washer .. .. .	2	..
12877-54	Felt washer .. .. .	2	..
12878-54	Front hub locking nut .. .. .	2	..
12879-54	Front hub adjusting cone .. .. .	1	..
12880-54	Front hub fixed cone .. .. .	1	..
12881-54	Sleeve for hub spindle .. .. .	1	..
12882-54	Hub spindle distance piece .. .. .	1	..
12883-54	Hub grease nipple .. .. .	1	..
12885-54	Front brake plate complete .. .. .	1	..
12886-54	Clip for cam bearing oil hole .. .. .	1	..



	DESCRIPTION OF PART	No. per Set	PRICE EACH
12887-54	Front brake shoe c/w lining .. ..	2	..
12888-54	Brake lining c/w rivets .. ..	2	..
12889-54	Rivet for lining .. .. per set	14	..
12890-54	Spring for brake shoe .. ..	2	..
12891-54	Front brake cam c/w end washer .. ..	1	..
12893-54	Front brake lever .. ..	1	..
12573-54	Washer for lever .. ..	1	..
12895-54	Shakeproof washer .. ..	1	..
12608-54	Nut for lever .. ..	1	..

### REAR WHEEL AND HUB ASSEMBLY

12900-56	Rear wheel c/w all fittings, less tyre and speedometer gearbox .. ..	1	..
12901-56	Rear wheel hub, rim and spokes, built up (rim finished chrome) c/w bearings ..	1	..
12902-54	Rear hub c/w spindle and bearings ..	1	..
12903-56	Rear wheel rim (chrome finish) (WM1-19)	1	..
12904-54	Hub shell and sprocket .. ..	1	..
12905-54	Spoke, R/S (8 $\frac{1}{8}$ " x 10G) .. ..	18	..
12906-56	Spoke, L/S (8 $\frac{1}{8}$ " x 10G) .. ..	18	..
12868-54	Nipple for spoke .. ..	36	..
12908-54	Hub spindle .. ..	1	..
12909-54	Hub spindle nut .. ..	2	..
12910-54	Bearing (ball) (Hoff .115) .. ..	2	..
12912-54	Bearing thrust washer .. ..	1	..
12913-54	Distance piece for bearings .. ..	1	..
12915-54	Felt retaining washer .. ..	2	..
12916-54	Felt washer, L/S .. ..	1	..
12917-54	Felt washer, R/S .. ..	1	..
12919-54	Bearing locking ring, L/S .. ..	1	..
12921-54	Felt retaining cup .. ..	2	..
12921-54	Felt retaining cup, L/S (1957 Model) ..	1	..
12921-57	Felt retaining cup, R/S (1957 Model) ..	1	..
12923-54	Hub bearing locknut .. ..	1	..
12768-54	Speedometer gearbox .. ..	1	..
12926-57	Speedometer drive washer (1957 Model) ..	1	..
12926-54	Speedometer gearbox spacing washer ..	1	..
12926-54	Packing washer behind bearing locknut (1957 Model) .. ..	1	..
12928-54	Spindle locknut, next speedometer gearbox	1	..
12929-54	Brake plate distance piece .. ..	1	..
12931-54	Brake plate locking nut .. ..	1	..
12933-54	Brake plate with fixed fittings .. ..	1	..
12935-54	Brake shoe c/w lining .. ..	2	..
12936-54	Brake shoe lining .. .. per pair	..	..
12937-54	Rivet for lining .. .. per set of	14	..
12890-54	Brake shoe return spring .. ..	2	..
12938-54	Brake cam .. ..	1	..
12940-54	Brake lever .. ..	1	..
10407-54	Washer for brake lever .. ..	1	..
10037-54	Shakeproof washer for lever .. ..	1	..
12676-54	Nut for brake lever .. ..	1	..
12944-54	Chain adjuster only .. ..	2	..
12944-54C	Chain adjuster complete .. ..	2	..
12945-54	Chain adjuster cap .. ..	2	..
12946-54	Nut for adjuster .. ..	2	..
12677-54	Grease nipple .. ..	1	..

Order by  
SPARES  
No.

DESCRIPTION OF PART

No.  
per Set

PRICE  
EACH

### CHAINCASE, CHAIN COVER AND CHAINS

12950-54	Chaincase outer half with fixed fittings ..	1	..
12951-54	Chaincase inner half .. .. .	1	..
12952-54	Joint washer for chaincase (cork) ..	1	..
12953-55	Oil seal washer (small, cork) for chaincase	1	..
12954-55	Oil seal washer (fibre) for chaincase ..	2	..
12955-54	Joint washer between chaincase and c/case	1	..
12957-54	Inspection cap .. .. .	1	..
12958-54	Washer for inspection cap .. .. .	1	..
12960-54	Front and rear chaincase fixing screw ..	16	..
12247-54	Spring washer for fixing screw .. .. .	16	..
12961-54	Oil level plug (outer case) .. .. .	1	..
12962-54	Washer for oil level plug .. .. .	1	..
12963-54	Drain plug (inner case) .. .. .	1	..
12811-54	Washer for drain plug .. .. .	1	..
12967-54	Chaincase support stud (screws into frame)	1	..
12969-54	Washer for stud (large) .. .. .	1	..
12970-54	Distance tube for stud .. .. .	1	..
12971-54	Distance sleeve for distance tube (inside chaincase) .. .. .	1	..
12972-54	Distance sleeve washer .. .. .	2	..
12973-54	Support stud washer (small) .. .. .	2	..
10217-54	Support stud spring washer .. .. .	2	..
12676-54	Nut for support stud .. .. .	2	..
12976-54	Cable grommet .. .. .	1	..
12977-54	Rear chainguard .. .. .	1	..
12979-54	Bolt securing rear of chainguard .. .. .	1	..
12841-54	Washer for bolt .. .. .	1	..
10217-54	Spring washer for 12979-54 bolt .. .. .	1	..
12980-55	Crankcase cover complete .. .. .	1	..
12981-55	Crankcase cover, top half .. .. .	1	..
12982-55	Crankcase cover, bottom half .. .. .	1	..
12983-54	Simmond spire nut for crankcase cover ..	4	..
5672-56	Bolt for spire nut .. .. .	4	..
12986-54	Crankcase cover distance nut .. .. .	1	..
12697-55	Washer for nut .. .. .	1	..
12989-54	Screw for 12986-54 nut .. .. .	1	..
12997-54	Front chain ( $\frac{1}{2}$ " $\times$ .305" $\times$ 70 pitches)	1	..
12998-54	Rear chain ( $\frac{1}{2}$ " $\times$ .205" $\times$ 109 pitches)	1	..

### PETROL TANK AND FITTINGS

13000C-54	Petrol tank c/w fittings (capacity 2 $\frac{1}{2}$ galls.) (state finish required) .. .. .	1	..
13000-54	Petrol tank only (capacity 2 $\frac{1}{2}$ galls.) (state finish required) .. .. .	1	..
13005-54	Filler cap complete .. .. .	1	..
13006-57	Petrol tank motif (1957 Model) .. .. .	1	..
13008-55	Petrol tap .. .. .	1	..
13009-54	Petrol tap washer (fibre) .. .. .	1	..
13010-56	Petrol pipe complete .. .. .	1	..
13011-54	Tank fixing bolt (front) .. .. .	2	..
12841-54	Washer for bolt .. .. .	2	..
10217-54	Spring washer for bolt .. .. .	2	..
13012-54	Tank fixing bolt (rear) .. .. .	1	..
13018-57	Spring for motif (1957 Model) .. .. .	2	..
12841-54	Washer for 13012-54 bolt .. .. .	2	..
10217-54	Spring washer for bolt .. .. .	1	..
12676-54	Nut for rear fixing bolt .. .. .	1	..

Order by SPARES No.	DESCRIPTION OF PART	No. per Set	PRICE EACH
5082-53	Knee grip, R/S .. .. .	1	..
5083-53	Knee grip, L/S .. .. .	1	..
0545	Screw securing knee grip .. .. .	4	..
5004-54B	Petrol tank badge (1956 Model) .. .. .	2	..
5004-54	Petrol tank badge (1957 Model) .. .. .	2	..
050	Screw for badge (1956 Model) .. .. .	4	..
088	Screw for badge (1957 Model) .. .. .	4	..
5009-56	Surround for 5004-54 badge .. .. .	2	..

Note. Petrol tank complete comprises: filler cap, petrol tap, knee grips and name plates.

### OIL TANK AND FITTINGS

5854-29	Filler cap c/w washer .. .. .	1	..
5855-29	Filler cap washer .. .. .	1	..
5898-30	Drain plug .. .. .	1	..
5899-30	Drain plug washer .. .. .	1	..
139-53	Rocker oil feed pipe connection (rubber) .. .. .	1	..
12024-54	Spring washer .. .. .	3	..
12676-54	Nut for oil tank fixing bolt .. .. .	1	..
13029-55	Oil tank fixing bolt .. .. .	1	..
13030-55	Oil tank complete .. .. .	1	..
13031-55	Oil tank and battery carrier bolt .. .. .	2	..
13034-55	Oil tank and battery carrier distance piece .. .. .	2	..
13037-55	Washer (plain .317" x .064" thick) .. .. .	1	..
13038-55	Gauze and spring (filter) .. .. .	1	..
13041-54	Oil return pipe .. .. .	2	..
13045-54	Nut for oil pipe .. .. .	2	..
13046-54	Rubber connection c/w ferrule .. .. .	2	..
13047-54	Ferrule for rubber connection .. .. .	4	..

### EXHAUST SYSTEM

13060-54	Exhaust pipe .. .. .	1	..
13062-54	Silencer .. .. .	1	..
13064-54	Clip complete (pipe to silencer joint) .. .. .	1	..
6070-29	Pin for 13064-54 clip .. .. .	1	..
6072-29	Swivel piece for clip .. .. .	1	..
S1-2	Nut for 6070-29 pin .. .. .	1	..
12673-54	Bolt securing silencer to frame .. .. .	1	..
10037-54	Washer .. .. .	1	..
12676-54	Nut for bolt securing silencer .. .. .	1	..
13068-56	Distance piece .. .. .	1	..

### BATTERY CARRIER

13100-54	Battery carrier c/w fittings .. .. .	1	..
13101-54	Battery platform with fixed fittings .. .. .	1	..
13105-54	Battery carrier anchor strap .. .. .	1	..
13106-55	Battery carrier strap .. .. .	1	..
13109-54	Swivel piece (plain hole) .. .. .	1	..
13110-54	Swivel piece (tapped hole) .. .. .	1	..
13113-54	Bolt for swivel piece .. .. .	1	..
13114-54	Hinge pin for strap .. .. .	1	..
10381-54	Saddle washer for 13113-54 bolt .. .. .	1	..

Order by  
SPARES  
No.

DESCRIPTION OF PART

No.  
per Set

PRICE  
EACH

**DUALSEAT AND FITTINGS**

13130-54	Dualseat .. .. .	1	..
13132-56	Front support bracket .. .. .	1	..
13135-54	Dualseat fixing bolt (front) .. .. .	3	..
13136-54	Dualseat fixing bolt (front) .. .. .	1	..
10036-54	Dualseat fixing bolt (rear) .. .. .	4	..
13137-54	Spring washer .. .. .	7	..
12841-54	Fixing washer .. .. .	7	..
12828-54	Distance piece for dualseat front fixing .. .. .	3	..
13138-56	Dualseat rear support bracket .. .. .	2	..
12676-54	Nut for 13136-54 bolt .. .. .	1	..

**HANDLEBAR CONTROLS AND CABLES**

13150-55	Twist grip complete (No. 61) .. .. .	1	..
13151A-55	Twist grip rubber .. .. .	1	..
13151-55	Dummy grip rubber .. .. .	1	..
13152-55	Throttle cable complete .. .. .	1	..
13155-55	Front brake lever c/w pin and bolt (107P) .. .. .	1	..
13160-55	Front brake cable complete .. .. .	1	..
13168-55	Clutch cable c/w adjuster .. .. .	1	..
13164-55	Clutch lever c/w pin and bolt (107P) .. .. .	1	..

**TOOL BOX AND TOOL KIT**

13200-54	Tool box complete .. .. .	1	..
13201-54	Bracket (fixing tool box) .. .. .	1	..
12832-54	Bolt fixing tool box to bracket .. .. .	2	..
12827-54	Bolt fixing tool box to mudguard .. .. .	1	..
12244-54	Washer for bolt .. .. .	3	..
12152-54	Spring washer for bolt .. .. .	3	..
13209-54	Spacing washer between tool box and mud- guard .. .. .	1	..
12620-54	Nut for tool box fixing bolt .. .. .	3	..
13212-54	Thumb screw for tool box lid .. .. .	1	..
13213-54	Nut for thumb screw .. .. .	1	..
6600-36	Double-ended spanner ( $\frac{3}{16}$ " $\times$ $\frac{1}{4}$ " bolts) .. .. .	1	..
6603-28	Double-ended spanner ( $\frac{5}{16}$ " $\times$ $\frac{3}{8}$ " bolts) .. .. .	1	..
6604-55	Double-ended spanner (tappet) .. .. .	1	..
6604-56	Spanner ( $\frac{7}{16}$ " $\times$ $\frac{1}{2}$ " B.S.F.) .. .. .	1	..
6606-27	Double-ended spanner .. .. .	1	..
6608-56	Spanner for sparking plug .. .. .	1	..
6616-26	Screwdriver .. .. .	1	..
6625-55	Tyre lever and tommy bar .. .. .	1	..
6625-26	Tyre lever .. .. .	1	..
13217-55	Tool roll .. .. .	1	..
13219-55	Box spanner (2 $\frac{1}{8}$ " long) .. .. .	1	..
13220-55	Box spanner (3 $\frac{1}{4}$ " long) .. .. .	1	..
13242-54	Tyre inflator .. .. .	1	..
13249-56	Tool kit c/w tool roll .. .. .	1	..

Please Note. Tyre inflator is not included in tool kit.

**AIR CLEANER**

13260-56	Air cleaner complete .. .. .	1	..
----------	------------------------------	---	----

Order by  
SPARES  
No.

DESCRIPTION OF PART

No.  
per Set

PRICE  
EACH

**ELECTRIC HORN**

Makers: CLEAR HOOTERS LTD.,  
33 Hampton Street, Birmingham 19.

13280-54	Horn (HF140)	..	..	..	..	-	..
13281-56	Horn push with 14" lead	..	..	..	..	-	..
13282-54	Bolt securing horn	..	..	..	..	1	..

**CARBURETTER**

Makers: AMAL LTD.,  
Holdford Road, Witton, Birmingham 6

375/5	Carburetter complete with cables, less controls	..	..	..	..	..	..
375/004	Mixing chamber body	..	..	..	..	..	..
244/765	"O" ring for intake flange	..	..	..	..	..	..
375/058	Jet block ( $\frac{1}{8}$ " bore)	..	..	..	..	..	..
376/070	Locating peg for jet block	..	..	..	..	..	..
375/067	Washer for jet block	..	..	..	..	..	..
375/017	Mixing chamber top	..	..	..	..	..	..
375/065	Mixing chamber top cap ring	..	..	..	..	..	..
4/235	Cap spring for standard top	..	..	..	..	..	..
4/241	Fixing screw for cap spring	..	..	..	..	..	..
6/132A	Cable ferrules (top hat)	..	..	..	..	..	..
4/137A	Plug screw	..	..	..	..	..	..
375/060	Throttle valve ( $3\frac{1}{2}$ )	..	..	..	..	..	..
375/061	Throttle valve spring	..	..	..	..	..	..
375/063	Taper needle	..	..	..	..	..	..
4/230	Needle clip	..	..	..	..	..	..
376/072	Needle jet	..	..	..	..	..	..
376/100	Main jet (No. 110)	..	..	..	..	..	..
376/073	Main jet holder	..	..	..	..	..	..
376/074	Main jet holder washer	..	..	..	..	..	..
376/075	Main jet cover nut	..	..	..	..	..	..
376/076	Pilot jet	..	..	..	..	..	..
376/095	Pilot jet cover nut	..	..	..	..	..	..
116/162	Pilot jet cover nut washer	..	..	..	..	..	..
332/017	Air adjusting screw	..	..	..	..	..	..
4/148	Air adjusting screw spring	..	..	..	..	..	..
376/068	Throttle stop screw	..	..	..	..	..	..
376/069	Throttle stop screw spring	..	..	..	..	..	..
376/083	Float complete	..	..	..	..	..	..
376/085	Float hinge spindle	..	..	..	..	..	..
376/094	Float spindle bush	..	..	..	..	..	..
376/089	Float needle	..	..	..	..	..	..
376/088	Needle seating	..	..	..	..	..	..
376/090	Banjo, single	..	..	..	..	..	..
14/175	Banjo washer	..	..	..	..	..	..
376/091	Banjo bolt	..	..	..	..	..	..
376/092	Banjo bolt washer	..	..	..	..	..	..
376/086	Tickler	..	..	..	..	..	..
343/011	Tickler body	..	..	..	..	..	..
376/087	Tickler spring	..	..	..	..	..	..
376/077	Float chamber cover	..	..	..	..	..	..
376/078	Float chamber cover joint	..	..	..	..	..	..
376/079	Float chamber cover screw	..	..	..	..	..	..
376/093	Filter gauze	..	..	..	..	..	..

**ELECTRICAL EQUIPMENT**

Makers: WICO-PACY SALES CORPORATION LTD.,  
Denbigh Road, Bletchley, Bucks.

05792	Headlamp complete with leads and dip switch	..	..	..
S0085	Headlamp complete with harness, etc. (1957 Model)	..	..	..
02427	Headlamp harness and plugs	..	..	..
S0087	Headlamp harness and plugs (1957 Model)	..	..	..
06318	Headlamp only	..	..	..
S0086	Headlamp only (1957 Model)	..	..	..
05740	Lamp body unit only	..	..	..
S0094	Lamp body unit (1957 Model)	..	..	..
05793	Lamp rim unit	..	..	..
01127	Headlamp glass	..	..	..
00915	Bulb holder unit	..	..	..
03561	Headlamp rim	..	..	..
06195	Dip switch	..	..	..
05749	Dip switch leads set	..	..	..
03586	Headlamp rim locking screw	..	..	..
03758	Headlamp fixing bolts and washers	..	..	..
S0070	Reflector clips	..	..	(box of 3)
04938	Pilot bulb holder	..	..	..
02485	Connector (4-way) (1957 Model)	..	..	..
00608	Connector (single) (1956 Model)	..	..	..
01874	Connector (double) (1957 Model)	..	..	..
06291	Lighting switch complete	..	..	..
06292	Ignition switch complete	..	..	..
S0062	Ammeter (1957 Model)	..	..	..
06587	Switch body unit	..	..	..
06588	Lighting switch cover	..	..	..
06589	Ignition switch cover	..	..	..
04200	Distributor unit complete	..	..	..
S0003	Circlip and spring set	..	..	..
01824	Base plate for distributor unit	..	..	..
01878	Base plate unit	..	..	..
S0002	Flyweight assembly	..	..	(set of 2)
01818	Cam unit	..	..	..
01823	Contact breaker assembly	..	..	..
02097	Auto-advance unit	..	..	..
01819	Auto-advance adaptor assembly	..	..	..
01880	Condenser	..	..	..
04201	Lead unit (ignition coil to contact breaker)	..	..	..
02350	Screws and washers set	..	..	..
02762	L.T. leads set	..	..	..
02760	Ignition coil complete	..	..	..
00735	Cap gasket	..	..	..
04081	Alternator unit complete	..	..	..
02765	H.T. lead wire group (7½")	..	..	..
06807	Coils and gasket set	..	..	..
06811	Coil cap	..	..	..
02348	Clips and screws set	..	..	..
06812	Cap fixing set	..	..	..
04091	Stator ring and coils assembly	..	..	..
06813	Terminal nut set	..	..	..
01978	Rotor only (magnetized)	..	..	..
06810	Gaskets group	..	..	..
00759	Stator ring only	..	..	..
06806	Leads unit	..	..	..
04026	Leads unit for stop lamp	..	..	..
06195	Dip switch	..	..	..
06252	Rectifier	..	..	..

**Order by  
SPARES  
No.**

**DESCRIPTION OF PART**

**PRICE  
EACH**

<b>01957</b>	<b>Stop switch leads unit</b>	..	..	..	..	..	..
<b>02301</b>	<b>Stop and tail lamp</b>	..	..	..	..	..	..
<b>03388</b>	<b>Stop switch unit</b>	..	..	..	..	..	..

**BATTERY**

**Makers: CHLORIDE BATTERIES LTD.,  
Exide Works, Clifton Junction, Swinton, Manchester**

<b>13295-55</b>	<b>Battery (Exide)</b>	..	..	..	..	..	..
-----------------	------------------------	----	----	----	----	----	----