

Norton

REGD. TRADE MARK

SPARE PARTS LIST FOR 1957

**PRICES SUBJECT TO 10% UNLESS
STATED NETT**

Models ES2, 19S. and 50

NORTON MOTORS LTD.
BRACEBRIDGE ST., BIRMINGHAM, 6, ENGLAND

Phone: Aston Cross 3711 (Private Branch Exchange)

Grams: "Nortomo, Birmingham"

Norton
REGD TRADE MARK

**SPARE PARTS
LIST FOR 1957**

**PRICES SUBJECT TO 10% UNLESS
STATED NETT**

Models ES2, 19S and 50

**NORTON MOTORS LTD.
BRACEBRIDGE ST., BIRMINGHAM, 6, ENGLAND**

Phone: Aston Cross 3711 (Private Branch Exchange)

Grams: "Nortomo, Birmingham"

INDEX

	Page		Page
Air cleaner	29	Magdyno parts (Lucas — all prices Retail nett)	28
Air control cable	15	Magneto and air control levers	14
Amal carburetter	11	Magneto control cable	15
Cable clips	30	Magdyno or magneto driving parts and fittings	8
Chains (front and rear)	23	Main bearings	7
Clutch cable	15	Number plates and fittings (front and rear)	27
Clutch group	20	Oil pipes and fittings	16
Connecting rods	7	Oil tank and fittings	16
Control cable adjusters and nipples	15	Overhead rockers	8
Crankcase, engine plate, bolts, etc.	7	Petrol tank and fittings	15
Crankcase and fittings	6	Pillion footrests and fittings	28
Cylinder head and barrel	9	Pistons and rings	9
Dry sump oil pump and drive parts	9	Positive footchange parts	20
Dual seat and fittings	28	Prop stand (side)	26
Electric horn and fittings	29	Push rods and fittings	8
Engine sprocket	23	Rear brake pedal and fittings	25
Exhaust control cable	15	Rear brake rod and fittings	25
Exhaust lifter lever	14	Rear chain adjusters	23
Exhaust pipes and fittings	13	Rear chainguard and fittings	25
Exhaust lifter and fittings	8	Rear wheel and fittings	22
Flywheel assemblies and crank pin bearings	6	Rear lamp and fittings	30
Footrests and fittings	25	Rear mudguard, stays and fittings	27
Forks and steering damper (Norton roadholder)	13	Rocker box and fittings	8
Frames and rear suspension	25	Silencer and fittings	13
Front brake control cable	15	Speedometer and fittings	28
Front brake and clutch control levers	14	Stand and fittings (front)	27
Front chaincase and fittings	23	Stand (centre)	26
Front wheel and fittings	22	Stop lamp and fittings	29
Front mudguard, stays and fittings	26	Swinging arm and fittings	26
Gearbox fixing bolts	18	Tappets	8
Gearbox front chain adjuster	18	Throttle control cable	15
Gearbox pinions, shafts and bearings	18	Timing gear	7
Gearbox shell	16	Tool and battery box	27
Handlebars and fittings	14	Tools	29
Headlamp and fittings (all prices Retail nett)	28	Transfers	30
Hub brake shoes and linings	22	Twist grip	14
Hubs (parts common to front and rear)	22	Valves, guides, springs and fittings	9
Kickstarter parts	18	Voltage regulator and fittings	29
Lapel badge (this price Retail nett)	30	Wheel rims and spokes	23
Legshields and fittings	30		

INSTRUCTIONS FOR ORDERING SPARE PARTS

This Spare Parts List deals with replacement parts for Models ES2, 19S and 50 of 1957 manufacture.

It is most essential that the Engine and Frame Number of the machine is stated. The Engine Number is to be found on the transmission side of the Crankcase, and the Frame Number is stamped on the Head Lug of the Frame, below the steering damper anchor plate. It is always advisable to order parts on a separate sheet, and not to include on the same sheet other matter of a different nature ; this facilitates prompt despatch.

It is found in a number of instances that money orders and postal orders are sent in parcels containing patterns ; this is inadvisable. We strongly recommend parts as patterns being despatched separately, and a covering letter sent containing the remittance for replacement parts.

RETURNING MACHINES FOR OVERHAULING

When returning machines or parts for repair or overhaul, these should be sent carriage paid, and with the sender's name and address in full securely attached. It is also advisable to state on the tally that a letter has been sent respecting the parts, and giving the date. All easily detached fittings should be removed, such as Lamps, Horns, Tool Bags, Speedometers, etc. ; these are liable to be lost or damaged in transit, and the Company cannot accept any responsibility for them.

ESTIMATES FOR REPAIRING MACHINES

We are always prepared to give approximate estimates for the cost of repairs ; it is quite impossible to give a firm quotation. Additional parts may be found necessary during the process of repair, unforeseen when preparing an estimate. Should our estimate for repair not be accepted, a charge may be made in accordance with work entailed in dismantling and re-assembling. When we give an estimate for cost of repairs, and this is curtailed by the owner, we cannot accept any responsibility for the performance of the machine ; it is always preferable to accept our estimate in full.

PURCHASE OF SPARE PARTS

Norton Dealers throughout the British Isles generally carry a very comprehensive stock of Norton spare parts and it is recommended that owners should obtain any spare parts required through them.

The name of the nearest Norton dealer will be supplied on request and if any difficulty whatever is experienced in obtaining spare parts through a Norton Dealer, if we are advised, we shall be very pleased to investigate the matter.

It is our desire that replacement parts are available to Norton owners with the least possible delay.

Please note we reserve the right to alter the prices in the list at any time without notice.

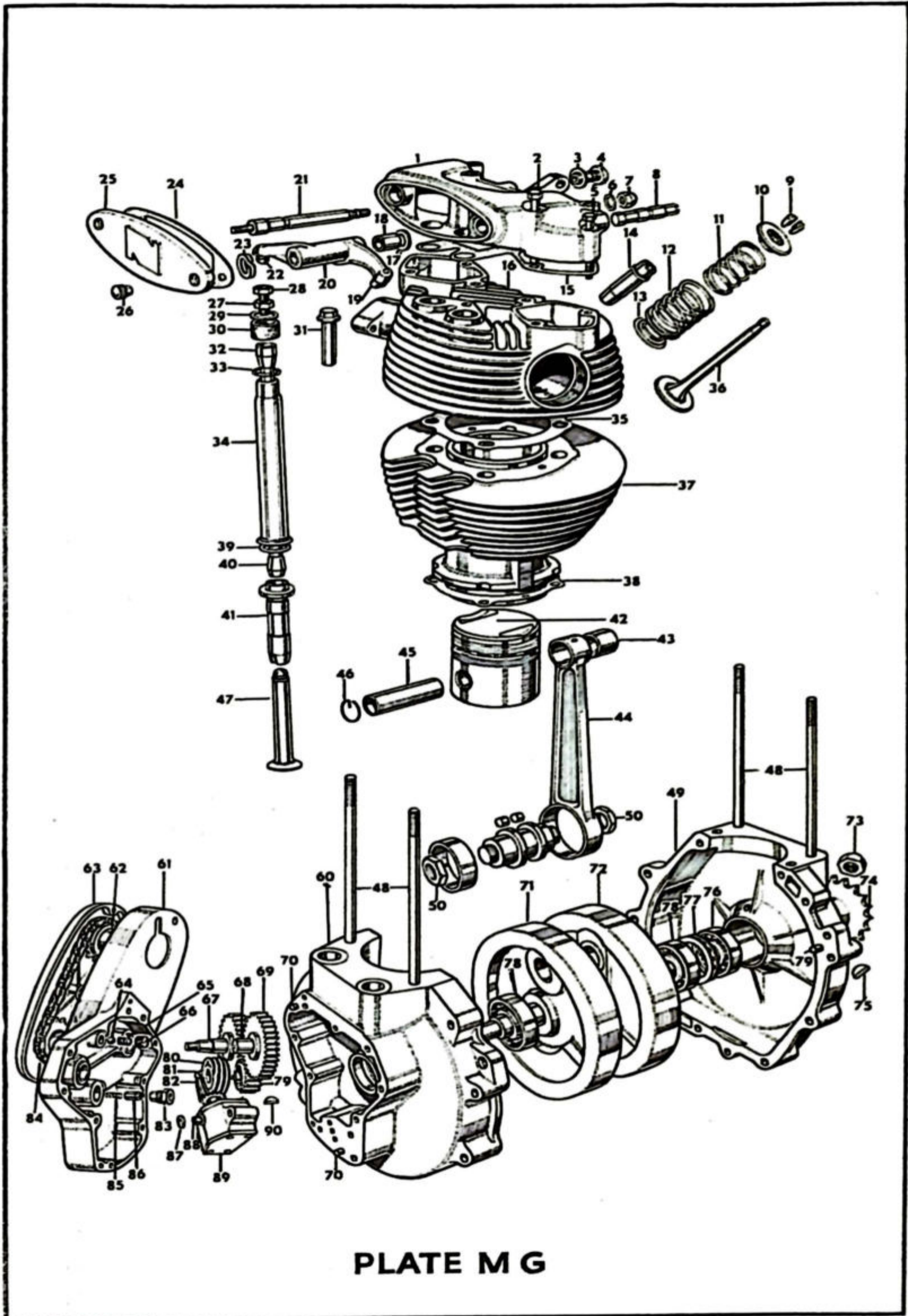


PLATE M G

PART No.	SUPERSEDED No.	PLATE No.	DESCRIPTION	QTY.	MODEL	PRICE EACH
						£ s. d.
CRANKCASE AND FITTINGS						
50256	—	—	Crankcase with timing cover, magneto cover and bushes, less studs and tappet guides	1	50, ES2, 19	11 15 0
50171	A.2/703	MG.49	Driving side Crankcase	1	50, ES2, 19	3 10 6
50255	—	MG.60	Timing side Crankcase (In the event of a replacement half Crankcase being required, it will be necessary to return the sound half of the case, also the timing cover to the works for matching.)	1	50, ES2, 19	6 3 4
19841	—	MG.48	Crankcase cylinder base stud	4	ES2	1 6
18638	—	—	Crankcase cylinder base stud	4	19	1 8
19840	—	—	Crankcase cylinder base stud	4	50	1 6
50172	C.2/6	—	Crankcase timing cover with bushes	1	50, ES2, 19	2 7 0
10940	A.3/93	—	Timing cover screws (top short)	3	50, ES2, 19	6
11001	—	—	Timing cover screws (bottom long)	3	50, ES2, 19	6
13996	C.2/37	—	Timing cover screws (countersunk)	2	50, ES2, 19	5
18195	A.2/9	MG.63	Magneto chain cover	1	50, ES2, 19	10 7
E.4506	C.2/687	—	Magneto chain cover screw (short)	2	50, ES2, 19	5
13868	C.2/688	—	Magneto chain cover screw (long)	1	50, ES2, 19	10
11775	—	—	Fibre washer for cheese head screws	8	50, ES2, 19	1
16550A	A.2/10	—	Timing cover oil drain pipe and nut	1	50, ES2, 19	1 6
10995	—	—	Timing cover oil drain pipe union	1	50, ES2, 19	1 9
10263	A.2/11	—	Timing cover oil feed jet	1	50, ES2, 19	2 11
13792	C.2/12	MG.86	Timing cover oil feed jet bush	1	50, ES2, 19	2 11
13791	C.2/13	MG.83	Timing cover oil feed jet bush	1	50, ES2, 19	3
10617	A.2/14	MG.85	Timing cover oil feed jet spring... ..	1	50, ES2, 19	3
17706	A.2/15	MG.64	Timing cover pressure release ball $\frac{3}{8}$ "	1	50, ES2, 19	2
10260	A.2/16	MG.65	Timing cover pressure release ball spring	1	50, ES2, 19	9
13789	A.2/17	MG.66	Timing cover pressure release plug	2	50, ES2, 19	5 3
13860	C.2/18	—	Crankcase cam bush (inlet and exhaust)	1	50, ES2, 19	5 3
13788	C.2/19	—	Timing cover cam bush (inlet)	1	50, ES2, 19	5 3
10657	A.2/20	—	Timing cover cam bush (exhaust)	1	50, ES2, 19	1 2
13765	—	—	Crankcase drain plug	1	50, ES2, 19	3
13833	—	—	Crankcase drain plug washer	1	50, ES2, 19	2 4
19245	A.2/707	—	Crankcase breather	1	50, ES2, 19	1 6
17618	A.2/708	—	Crankcase breather pipe with nipple	1	50, ES2, 19	3
10992	A.2/718	—	Crankcase breather pipe nut	1	50, ES2, 19	6
11001	—	—	Crankcase panel screw	1	50, ES2, 19	8
20584	—	—	Retaining cup for ball valve	1	50, ES2, 19	3
10260	—	—	Retaining spring for ball valve	1	50, ES2, 19	3
18548	—	—	$\frac{3}{8}$ " dia. ball	1	50, ES2, 19	3

FLYWHEELS, ASSEMBLIES AND CRANKPIN BEARINGS

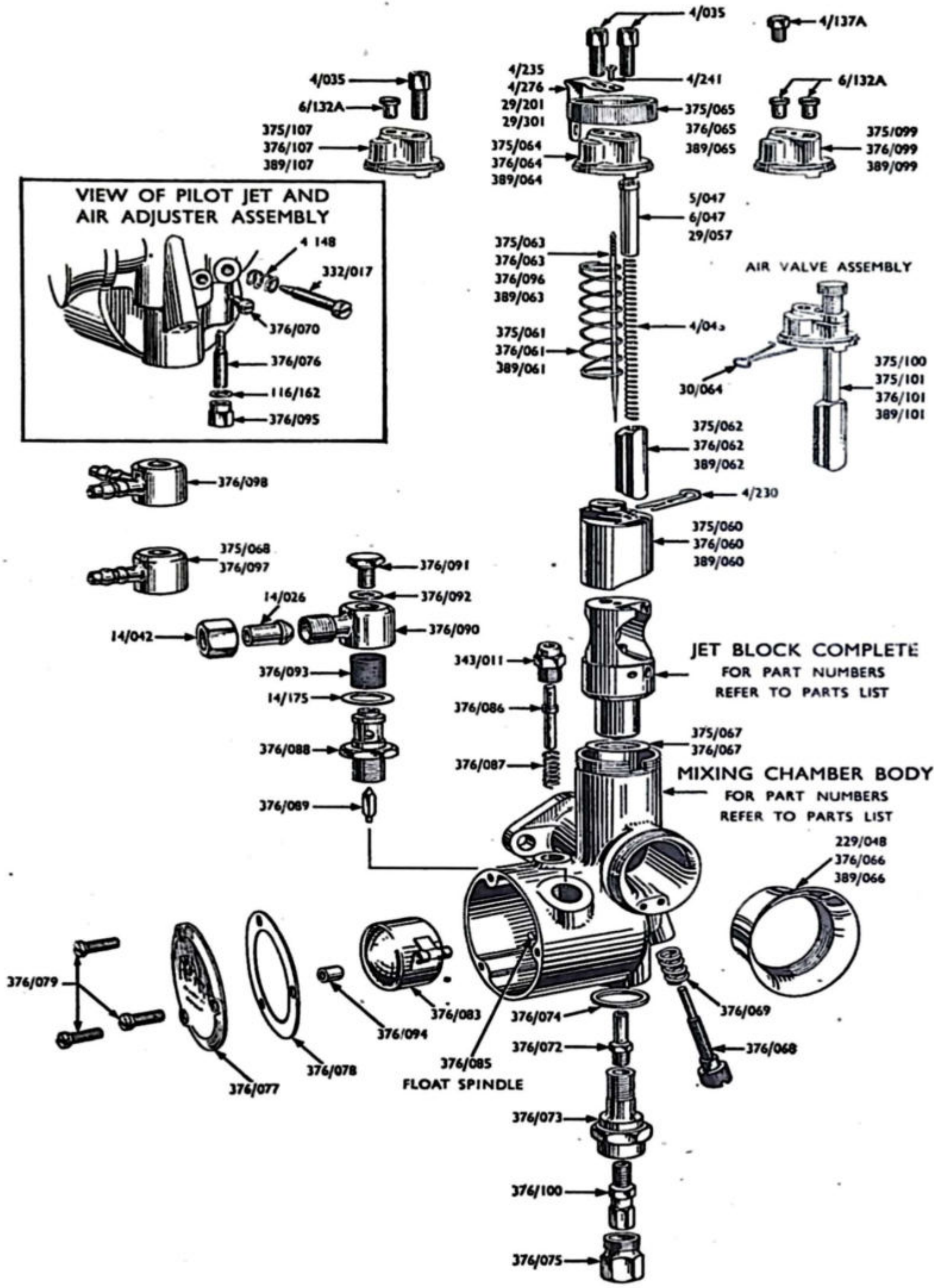
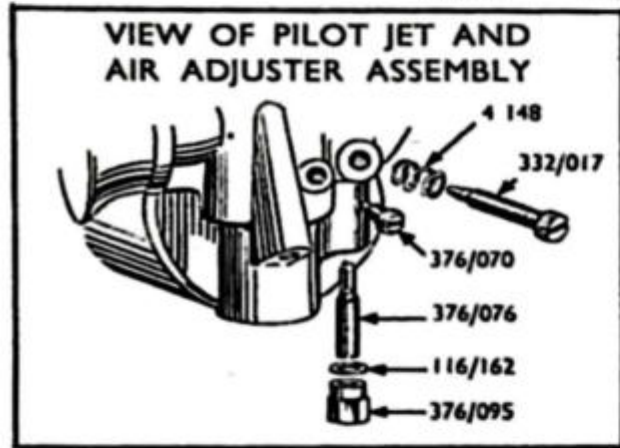
K.6/24	—	—	Flywheels complete with shafts, crankpin bearing and connecting rod	1	19	13 2 0
C.3/24	—	—	Flywheels complete with shafts, crankpin bearing and connecting rod	1	ES2	13 2 0
L.13/24	—	—	Flywheels complete with shafts, crankpin bearing and connecting rod	1	50	13 2 0
50053	C.7/26	MG.72	Flywheel driving side with shaft	1	19	3 19 11
50005	C.2/26	—	Flywheel driving side with shaft	1	ES2	3 19 11
50207	L.13/26	—	Flywheel driving side with shaft	1	50	3 19 11
50054	C.7/25	MG.71	Flywheel timing side with shaft	1	19	3 19 11
50006	C.2/25	—	Flywheel timing side with shaft	1	ES2	3 19 11
50206	L.13/25	—	Flywheel timing side with shaft	1	50	3 19 11
11641	C.2/705	—	Flywheel driving side shaft	1	50, ES2, 19	1 9 4
13779	A.2/706	—	Flywheel timing side shaft	1	50, ES2, 19	1 12 4
E.3682	—	—	Flywheel timing and driving side shaft key	2	50, ES2, 19	4
E.2718	—	—	Flywheel mainshaft packing washers— .003"	1	50, ES2, 19	4
E.2717A	—	—	Flywheel mainshaft packing washers— .005"	1	50, ES2, 19	4
E.2717	—	—	Flywheel mainshaft packing washers— .010"	1	50, ES2, 19	4

NOTE.—We recommend flywheels to be returned to the works for the fitting of new shafts.

PART No.	SUPERSEDED No.	PLATE No.	DESCRIPTION	QTY.	MODEL	PRICE EACH
FLYWHEELS, ASSEMBLIES AND CRANKPIN BEARINGS—cont.						£ s. d.
E.6276A	A.2/27	—	Crankpin bearing with nuts	1	50, ES2, 19	3 5 9
E.6276B	A.2/28	—	Crankpin bearing nuts	2	ES2, 19	4 0
18846	—	MG.50	Crankpin bearing nuts	2	50	4 0
E.3821	A.2/29	—	Crankpin bearing nut locking screw ...	2	50, ES2, 19	3
NOTE.—Crank pin spares cannot be supplied separately. Each outer race has its individual pin.						
CONNECTING RODS						
50030	A.3/158	MG.44	Connecting rod with small end bush ...	1	ES2	2 11 8
50194	K.6/158	—	Connecting rod with small end bush ...	1	19	2 11 8
50208	L13/158	—	Connecting rod with small end bush ...	1	50	2 11 8
E.4102	A.2/159	MG.43	Small end bush	1	50, ES2, 19	5 10
MAIN BEARINGS						
17704	A.2/30	MG.76	Mainshaft ball bearing, driving side ...	1	50, ES2, 19	
					nett	17 3
17702	A.2/32	MG.78	Mainshaft roller bearing	2	50, ES2, 19	
					nett	1 9 3
12794	A.2/33	MG.77	Mainshaft bearing distance piece ...	1	50, ES2, 19	2 4
11770	—	—	Mainshaft bearing crankcase washer, driving side	1	50, ES2, 19	6
CRANKCASE, ENGINE PLATE, BOLTS AND NUTS						
E.3166	—	—	Front engine plate to crankcase stud ...	2	50, ES2, 19	1 6
E.3238	—	—	Front engine plate to crankcase stud nut	4	50, ES2, 19	5
13040	—	—	Engine plate to frame front stud ...	1	50, ES2, 19	1 6
11809	—	—	Engine plate to frame front stud washer	2	50, ES2, 19	3
E.3227	—	—	Engine plate to frame front stud nut ...	2	50, ES2, 19	5
19666	—	—	Crankcase to engine plate stud (bottom)	1	50, ES2, 19	1 6
E.3224	—	—	Crankcase to engine plate stud (bottom) nut	2	50, ES2, 19	4
E.5376	—	—	Crankcase to engine plate stud (bottom) washer	2	50, ES2, 19	3
19644	—	—	Crankcase bottom frame tube stud ...	2	50, ES2, 19	1 6
E.5456	—	—	Crankcase bottom frame tube stud washer	4	50, ES2, 19	3
E.3223	—	—	Crankcase bottom frame tube stud nut ...	4	50, ES2, 19	4
E.4256	—	—	Crankcase engine plate bolt	1	50, ES2, 19	1 6
E.5377	—	—	Crankcase bottom engine plate bolt washer	3	50, ES2, 19	3
13459	—	—	Crankcase bottom engine plate bolt nut ...	1	50, ES2, 19	4
E.4268	—	—	Engine plate to frame bolt	4	50, ES2, 19	1 9
E.5377	—	—	Engine plate to frame bolt washer	4	50, ES2, 19	3
13870	—	—	Crankcase bolt (short)	3	50, ES2, 19	9
E.3223	—	—	Crankcase bolt nuts	3	50, ES2, 19	4
E.5456	—	—	Crankcase bolt washer	5	50, ES2, 19	3
20056	—	—	Crankcase bolt top studs... ..	2	50, ES2, 19	1 0
E.3223	—	—	Crankcase bolt top stud nut	2	50, ES2, 19	4
E.4260	—	—	Crankcase bottom bolt	1	50, ES2, 19	1 6
E.3224	—	—	Crankcase bottom bolt nut	1	50, ES2, 19	4
E.5376	—	—	Crankcase bottom bolt washer	1	50, ES2, 19	3
TIMING GEAR						
13858	C.2/58	MG.79	Half time pinion	1	50, ES2, 19	11 9
E.3683	—	MG.90	Half time pinion key	1	50, ES2, 19	3
M.3/60	—	—	Exhaust cam wheel complete	1	ES2, 19	2 15 3
M.13/60	—	—	Exhaust cam wheel complete	1	50	2 15 3
19702	—	MG.68	Exhaust cam shaft	1	ES2, 19	1 7 6
20053	—	—	Exhaust cam shaft	1	50	1 7 6
M.3/61	—	—	Inlet cam wheel complete	1	50, ES2, 19	2 18 9
19701	—	MG.67	Inlet cam shaft	1	50, ES2, 19	1 11 0
18172	—	MG.69	Cam gear wheel, inlet and exhaust ...	2	50, ES2, 19	1 7 6
E.3683	—	—	Cam gear wheel key	2	50, ES2, 19	3
11774A	—	—	Cam gear spindle washer—003" ...	A.R.	50, ES2, 19	2
11774B	—	—	Cam gear spindle washer—005" ...	A.R.	50, ES2, 19	2
11774C	—	—	Cam gear spindle washer—007" ...	A.R.	50, ES2, 19	2

PART No.	SUPERSEDED No.	PLATE No.	DESCRIPTION	QTY.	MODEL	PRICE EACH
TAPPETS						
19800	—	MG.41	Tappet guide, inlet and exhaust...	2	50, ES2, 19	14 8
13830	C.2/689	—	Tappet guide location peg	2	50, ES2, 19	3
50007	C.3/75	MG.47	Tappet complete	2	50, ES2, 19	14 8
13790	C.3/693	—	Tappet ball end	2	50, ES2, 19	4 1
EXHAUST LIFTER AND FITTINGS						
18175	A.2/67	—	Exhaust valve lifter lever	1	50, ES2, 19	5 10
13862	C.3/64	MG.8	Exhaust valve lifter shaft	1	50, ES2, 19	5 3
10959	A.3/66	—	Exhaust valve lifter lever retaining screw	1	50, ES2, 19	5
17707	—	—	Exhaust valve lifter lever retaining screw washer	1	50, ES2, 19	2
E.3798	A.2/68	—	Exhaust valve lever bolt	1	50, ES2, 19	6
E.3881	A.3/69	—	Exhaust valve lever return spring	1	50, ES2, 19	1 6
PUSH RODS AND FITTINGS						
M.4/82	—	—	Push rod, complete	2	ES2	11 2
M.6/82	—	—	Push rod, complete	2	19	11 2
M.13/82	—	—	Push rod, complete	2	50	11 2
13798	C.3/83	MG.40	Push rod bottoms	2	50, ES2, 19	3 6
13800	C.3/86	MG.32	Push rod tops	2	50, ES2, 19	2 4
13801	C.3/87	MG.28	Push rod, adjuster only	2	50, ES2, 19	3 6
10415	—	MG.27	Push rod, adjuster lock nut	2	50, ES2, 19	6
19838	—	MG.34	Push rod cover	2	ES2	8 3
19839	—	—	Push rod cover	2	19	8 3
19837	—	—	Push rod cover	2	50	8 3
20049	—	MG.30	Push rod cover, sealing rings (top)	2	50, ES2, 19	6
20048	—	MG.39	Push rod cover, sealing rings (bottom)	2	50, ES2, 19	6
20047	—	—	Push rod cover washer (plain)	A.R.	50, ES2, 19	2
20046	—	—	Push rod cover, tube washer (plain)	A.R.	50, ES2, 19	6
20045	—	MG.33	Push rod cover washer (dished)	2	50, ES2, 19	3
ROCKER BOX AND FITTINGS						
19772	—	MG.1	Rocker box with cover	1	50, ES2, 19	3 10 6
19805	—	MG.25	Rocker box inspection cover	1	50, ES2, 19	3 6
19824	—	MG.24	Rocker box cover washers	1	50, ES2, 19	6
19856	—	—	Rocker box cover studs	2	50, ES2, 19	10
20044	—	MG.15	Rocker box sealing washer	1	50, ES2, 19	9
19857	—	MG.26	Rocker box cover knurled nuts	2	50, ES2, 19	2 0
17698	—	—	Rocker fan disc washers	2	50, ES2, 19	3
19843	—	MG.2	Rocker box bolts, long	7	50, ES2, 19	1 9
16555	—	MG.5	Rocker box bolts, short	2	50, ES2, 19	9
T.2211	—	—	Rocker box bolt washers	7	50, ES2, 19	2
16556	—	—	Rocker box bolt washers	2	50, ES2, 19	4
19470	L.4/699	—	Oil Feed pipe assembly	1	50, ES2, 19	5 10
13805	C.3/700	—	Oil feed pipe banjo bolt	1	50, ES2, 19	2 11
13786	C.3/701	—	Oil feed pipe banjo bolt washer	2	50, ES2, 19	4
OVERHEAD ROCKERS						
13804	C.3/96	MG.18	Rocker bush	4	50, ES2, 19	4 1
19849	—	MG.21	Rocker shaft	2	50, ES2, 19	11 9
13819	C.3/98	M.G.17	Rocker shaft shim	2	50, ES2, 19	3
13806	C.3/182	MG.7	Rocker shaft nut	2	50, ES2, 19	6
13820	—	MG.6	Rocker shaft nut copper washer	2	50, ES2, 19	3
13794	—	—	Rocker shaft washer, large	2	50, ES2, 19	6
13818	—	MG.23	Rocker shaft washer (spring)	2	50, ES2, 19	4
18162	C.3/99	MG.20	Rocker, inlet	1	50, ES2, 19	1 9 4
18163	C.3/100	—	Rocker, exhaust	1	50, ES2, 19	1 9 4
13821	C3/104	MG.22	Rocker ball end	2	50, ES2, 19	3 3
10394	C.3/105	MG.19	Rocker pad	2	50, ES2, 19	4 1
MAGNETO OR MAGDYNO DRIVING PARTS AND FITTINGS						
13780	C.2/79	—	Magneto sprocket (engine)	1	50, ES2, 19	10 0
E.3224	A.2/80	—	Magneto sprocket securing nut	1	50, ES2, 19	4
E.5376	—	—	Magneto sprocket securing nut washer	1	50, ES2, 19	3
E.3681	A.2/81	—	Magneto sprocket key	1	50, ES2, 19	3
13853	C.2/112	MG.62	Magdyno sprocket	1	50, ES2, 19	10 0
170104	A.2/115	—	Magdyno sprocket nut	1	50, ES2, 19	6

PART No.	SUPERSEDED No.	PLATE No.	DESCRIPTION	QTY.	MODEL	PRICE EACH
MAGNETO OR MAGDYNOL DRIVING PARTS AND FITTINGS—cont.						£ s. d.
140074	A.2/116	—	Magdyno Sprocket nut washer	1	50, ES2, 19	3
18168	C.2/117	—	Magdyno base plate	1	50, ES2, 19	7 0
E.3831	—	—	Magdyno base plate countersunk screw...	4	50, ES2, 19	5
17700	1518A	—	Magdyno base plate countersunk shake-proof washer	4	50, ES2, 19	4
E.5312	A.2/118	—	Magdyno Platform locking plate	1	50, ES2, 19	10
E.3135	—	—	Magdyno platform locking plate bolt	1	50, ES2, 19	9
13459	—	—	Magdyno platform bolt nut	1	50, ES2, 19	6
E.4256	—	—	Magdyno Platform bolt	1	50, ES2, 19	1 6
E.5375	—	—	Magdyno Platform bolt washer	1	50, ES2, 19	3
17699	C.2/113	MG.84	Magdyno chain, 44-link	1	50, ES2, 19	
						nett 10 6
DRY SUMP OIL PUMP AND DRIVE PARTS						
15521	A.2/128	MG.89	Oil pump assembly	1	50, ES2, 19	3 10 6
15511A	A.2/129	MG.81	Oil pump spindle nut	1	50, ES2, 19	5
10101A	A.2/130	MG.82	Oil pump worm gear wheel	1	50, ES2, 19	7 8
17697	A.2/131	—	Oil pump worm gear wheel key	1	50, ES2, 19	3
15515	A.2/132	MG.88	Oil pump feed bush	1	50, ES2, 19	9
E.6283	A.2/133	MG.87	Oil pump body and timing cover connection washer	1	50, ES2, 19	3
13778	C.2/134	MG.180	Engine shaft pump driving worm	1	50, ES2, 19	8 10
E.4440	—	—	Oil pump crankcase stud... ..	2	50, ES2, 19	10
E.3231	—	—	Oil pump crankcase stud nuts	2	50, ES2, 19	4
E.4590	—	—	Oil stop grub screw	1	50, ES2, 19	6
NOTE.—Oil pump parts cannot be supplied separately. It is necessary to return the complete pump for attention.						
CYLINDER HEAD AND BARREL						
19703	—	MG.37	Cylinder barrel	1	ES2	4 11 0
19819	—	—	Cylinder barrel	1	19	4 14 0
19832	—	—	Cylinder barrel	1	50	4 8 2
M3T/136	—	MG.16	Cylinder head with valve guides	1	ES2, 19	10 5 8
M13/136	—	—	Cylinder head with valve guides	1	50	10 2 8
19705	—	MG.35	Cylinder head gasket	1	ES2, 19	2 0
18799	—	—	Cylinder head gasket	1	50	2 0
C126	D3T/156	MG.31	Cylinder head sleeve nuts	4	ES2, 19	2 11
19842	—	—	Cylinder head sleeve nuts	4	50	2 11
C170	—	—	Cylinder head sleeve nut washer	4	50, ES2, 19	4
13824	C3/157	MG.38	Cylinder base washer	1	50, ES2, 19	3
VALVES, GUIDES, SPRINGS AND FITTINGS						
E6472	A3/142	MG.36	Valve only (inlet or exhaust)	2	ES2, 19	14 1
18737	L13/142	—	Valve only (inlet or exhaust)	2	50	14 1
C188	D3T/140	MG.14	Valve guide (inlet or exhaust)	2	50, ES2, 19	9 5
14398	C3/145	MG.11	Valve spring, inner	2	50, ES2, 19	1 2
14397	C3/146	MG.12	Valve spring, outer	2	50, ES2, 19	2 4
16133	H3/147	MG.10	Valve spring cup (top)	2	50, ES2, 19	6 5
19080	—	MG.13	Valve spring bottom collar	2	50, ES2, 19	1 2
E1930	A2/149	MG.9	Valve split cotter (4 halves)	2	50, ES2, 19	1 2
PISTON AND RINGS						
19777	L4/160	—	Piston only	1	ES2	1 15 3
19782	L6/160	—	Piston only	1	19	1 17 0
18736A	L13/160	—	Piston only	1	50	1 12 4
19776	L4/702	MG.42	Piston complete with rings, gudgeon pin and circlips	1	ES2	2 16 11
19781	L6/702	—	Piston complete with rings, gudgeon pin and circlips	1	19	2 18 8
19417	L13/702	—	Piston complete with rings, gudgeon pin and circlips	1	50	2 15 1
19778	A2/161	—	Piston ring, compression	2	ES2	2 8
19783	C7/161	—	Piston ring, compression	2	19	2 8
L13/161	—	—	Piston ring, compression	2	50	2 8
19779	A2/162	—	Piston ring scraper	1	ES2	3 10
19784	C7/162	—	Piston ring, scraper	1	19	3 10
L13/162	—	—	Piston ring, scraper	1	50	3 10



PART No.	SUPERSEDED No.	PLATE No.	DESCRIPTION	QTY.	MODEL	PRICE EACH
						£ s. d.
PISTON AND RINGS—cont.						
19780	A2/163	MG.45	Gudgeon pin	1	ES2, 19	11 9
16715	A2/164	MG.46	Circlip	2	ES2, 19	6
L13/163	—	—	Gudgeon pin	1	50	11 9
L13/164	—	—	Circlip	2	50	6
Pistons can be supplied in the following oversizes : .010" ; .020" ; .030" and .040".						
State size when ordering.						
AMAL CARBURETTER (all prices RETAIL NETT)						
376/17	—	—	Carburetter complete with cables, less twist grip	1	ES2, 19	4 10 0
376/68	—	—	Carburetter complete with cables, less twist grip	1	50	4 10 0
376/1 ^{1/16"}	—	—	Mixing chamber body	1	ES2, 19	1 10 0
376/1 ^{1/8"}	—	—	Mixing chamber body	1	50	1 10 0
376/057	—	—	Jet block	1	ES2, 19	12 6
376/056	—	—	Jet block	1	50	12 6
376/070	—	—	Locating pegs for jet block	1	50, ES2, 19	7
376/067	—	—	Jet block washer	1	50, ES2, 19	2
376/064	—	—	Mixing chamber top	1	50, ES2, 19	3 4
376/065	—	—	Mixing chamber top cup ring	1	50, ES2, 19	3 4
4/235	—	—	Cup spring for top	1	50, ES2, 19	11
4/241	—	—	Fixing screw for cup spring	1	50, ES2, 19	2
4/035	—	—	Cable adjuster	1	50, ES2, 19	8
6/132A	—	—	Cable ferrules (top hat)	1	50, ES2, 19	3
4/137A	—	—	Plug screw	1	50, ES2, 19	3
376/060	—	—	Throttle valve	1	50, ES2, 19	7 8
376/061	—	—	Throttle valve spring	1	50, ES2, 19	7
376/063	—	—	Taper needle	1	50, ES2, 19	2 6
4/230	—	—	Needle clip	1	50, ES2, 19	7
376/062	—	—	Air valve	1	50, ES2, 19	4 11
6/047	—	—	Air valve guide	1	50, ES2, 19	1 5
4/046	—	—	Air valve spring	1	50, ES2, 19	4
376/101	—	—	Rod control air valve assembly	1	50, ES2, 19	10 0
30/064	—	—	Guide spring for rod control air valve assembly	1	50, ES2, 19	3
376/072	—	—	Needle jet	1	50, ES2, 19	3 0
376/100	—	—	Main jet (specify size)	1	50, ES2, 19	1 6
376/073	—	—	Main jet holder	1	50, ES2, 19	4 5
376/074	—	—	Main jet holder washer	1	50, ES2, 19	2
376/075	—	—	Main jet cover nut	1	50, ES2, 19	1 1
376/076	—	—	Pilot jet	1	50, ES2, 19	1 1
376/095	—	—	Pilot jet cover nut	1	50, ES2, 19	10
116/162	—	—	Pilot jet cover nut washer	1	50, ES2, 19	2
332/017	—	—	Air adjusting screw	1	50, ES2, 19	11
4/148	—	—	Air adjusting screw spring	1	50, ES2, 19	3
376/068	—	—	Throttle stop screw	1	50, ES2, 19	10
376/069	—	—	Throttle stop screw spring	1	50, ES2, 19	3
376/066	—	—	Air intake tube	1	50, ES2, 19	4 3
376/083	—	—	Float complete	1	50, ES2, 19	5 6
376/085	—	—	Float hinge spindle	1	50, ES2, 19	7
376/094	—	—	Float spindle base	1	50, ES2, 19	4
376/089	—	—	Float needle	1	50, ES2, 19	1 8
376/088	—	—	Needle seating	1	50, ES2, 19	2 9
14/175	—	—	Needle seating washer	1	50, SE2, 19	2
376/097	—	—	Banjo single	1	50, ES2, 19	2 2
14/175	—	—	Banjo washer	1	50, ES2, 19	2 2
376/091	—	—	Banjo bolt	1	50, ES2, 19	7
376/092	—	—	Banjo bolt washer... ..	1	50, ES2, 19	2
376/086	—	—	Tickler	1	50, ES2, 19	1 1
343/011	—	—	Tickler body	1	50, ES2, 19	1 5
376/087	—	—	Tickler spring	1	50, ES2, 19	2
376/077	—	—	Float chamber cover	1	50, ES2, 19	2 9
376/078	—	—	Float chamber cover joint	1	50, ES2, 19	4
376/079	—	—	Float chamber cover screw	1	50, ES2, 19	2
376/093	—	—	Filter gauze	1	50, ES2, 19	9
20000	—	—	Carburetter sealing washer	1	50, ES2, 19	9

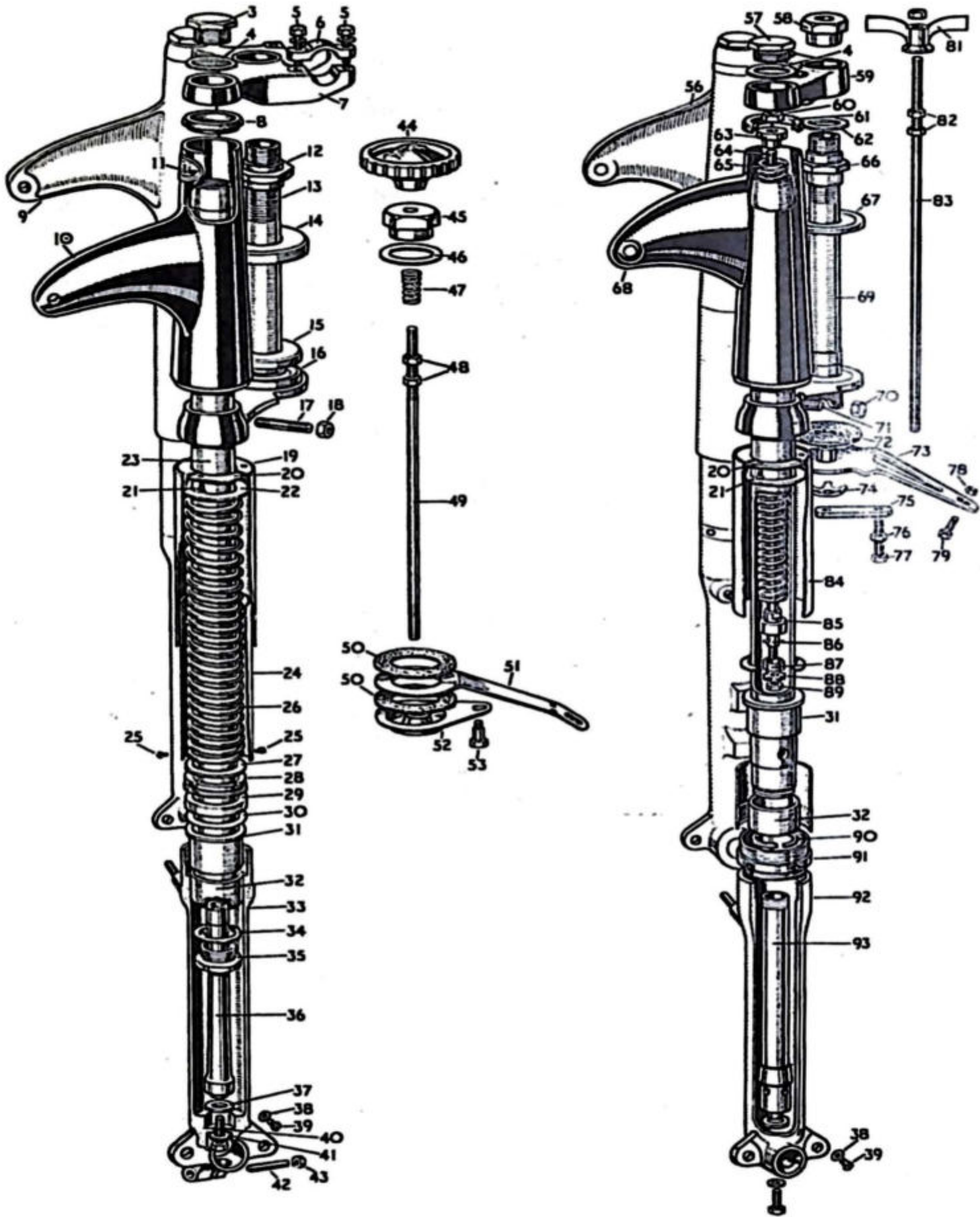


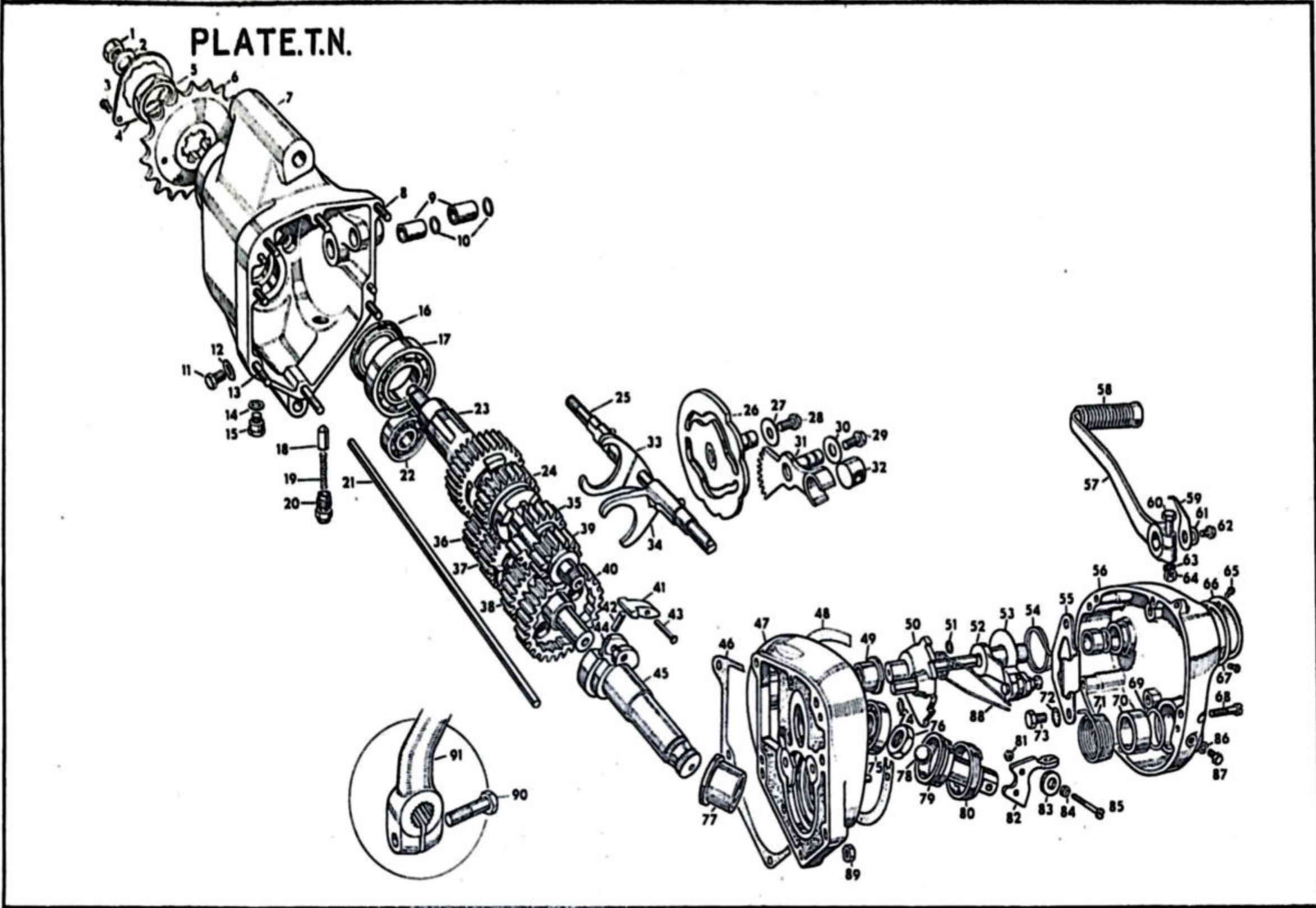
PLATE M J

PART No.	SUPERSEDED No.	PLATE No.	DESCRIPTION	QTY.	MODEL	PRICE EACH
						£ s. d.
EXHAUST PIPE AND FITTINGS						
20177	—	—	Exhaust pipe	1	ES2	1 15 0
20170	—	—	Exhaust pipe	1	19	1 15 0
20171	—	—	Exhaust pipe	1	50	1 12 6
18197	A3/167	—	Exhaust pipe locking ring ...	1	50, ES2, 19	7 8
E6842	A3/166	—	Exhaust pipe locking ring washer ...	1	50, ES2, 19	4
SILENCER AND FITTINGS						
20110	—	—	Silencer	1	50, ES2, 19	3 12 6
20066	—	—	Silencer fixing plate	1	50, ES2, 19	1 6
17075	—	—	Silencer fixing plate bolt	2	50, ES2, 19	5
E5456	—	—	Silencer fixing plate bolt washer ...	2	50, ES2, 19	3
16255	H4/168	—	Silencer to exhaust pipe clip	1	50, ES2, 19	2 1
E.3154	—	—	Silencer to exhaust pipe clip bolt ...	1	50, ES2, 19	5
E3231	—	—	Silencer to exhaust pipe clip bolt nut ...	1	50, ES2, 19	4
NORTON ROAD HOLDER FORKS						
L6/174	—	—	Road-holder fork complete	1	19	22 12 4
L4/174	—	—	Road-holder fork complete	1	50, ES2	22 0 0
18467	B2/605	MJ.23	Main tube	2	50, ES2, 19	1 15 3
T1055	B2/606	MJ.32	Main tube bottom bush	2	50, ES2, 19	7 8
T1047	B2/607	MJ.35	Main tube bottom bush locking nut ...	2	50, ES2, 19	4 5
T1090	B2/608	MJ.34	Main tube bottom bush locking nut washer	2	50, ES2, 19	3
19310	D12/609	MJ.33	Fork end, left-hand	1	50, ES2, 19	3 7 7
19309	D12/611	—	Fork end, right-hand	1	50, ES2, 19	3 7 7
16664	—	—	Fork end pinch stud	1	50, ES2, 19	6
13434	—	—	Fork end pinch stud nut	1	50, ES2, 19	4
17776	—	—	Fork end pinch stud nut washer... ..	1	50, ES2, 19	3
T387	B2/612	MJ.39	Fork end drain plug	2	50, ES2, 19	4
11775	B2/613	MJ.38	Fork end drain plug washer	2	50, ES2, 19	2
T1048	B2/614	MJ.31	Main tube sleeve bush	2	50, ES2, 19	5 10
T1054	B2/615	MJ.28	Main tube sleeve bush locking ring ...	2	50, ES2, 19	4 1
17713	D3T/616	MJ.29	Oil seal	2	50, ES2, 19	7 8
T1049	B2/617	MJ.30	Oil seal paper washer	2	50, ES2, 19	2
T594	B2/619	MJ.22	Main spring top leather washer	2	50, ES2, 19	6
18809	E2/620	MJ.26	Main spring	2	ES2, 50	7 8
19481	L9/620	—	Main spring	2	19	7 8
T595	B2/621	MJ.27	Main spring bottom leather washer ...	2	50, ES2, 19	3
18490	B2/622	MJ.19	Spring cover tube, top	2	50, ES2, 19	4 8
18491	B2/625	MJ.24	Main spring cover tube, bottom	2	50, ES2, 19	4 8
T831	B2/623	MJ.20	Spring cover tube top securing plate ...	2	50, ES2, 19	1 2
T702	B2/624	MJ.21	Spring cover tube top securing plate screws	6	50, ES2, 19	3
19816	B2/626	MJ.25	Spring cover tube bottom securing screws	4	50, ES2, 19	2
13917	B2/627	MJ.36	Oil damper rod	2	50, ES2, 19	10 0
T814	B2/628	MJ.37	Oil damper rod fibre washer	2	50, ES2, 19	1
T1009	C2/629	MJ.41	Oil damper rod bolt washer	2	50, ES2, 19	1
17075	C2/630	MJ.40	Oil damper rod bolt	2	50, ES2, 19	3
T816	B2/633	MJ.3	Main tube filler and retaining plug ...	2	50, ES2, 19	5 10
T320	B2/634	MJ.4	Main tube filler and retaining plug washer	2	50, ES2, 19	10
19340	L4/636	MJ.9	Top cover tube, left-hand	1	50, ES2, 19	14 8
19339	L4/635	MJ.10	Top cover tube, right-hand	1	50, ES2, 19	14 8
15398	B2/637	MJ.11	Top cover tube name plate	2	50, ES2, 19	1 9
T1081	B2/638	—	Top cover tube name plate rivets	4	50, ES2, 19	3
T1079	B2/639	MJ.8	Top cover tube rubber washers... ..	2	50, ES2, 19	10
T347	B2/207	MJ.50	Steering damper friction washer	2	19	1 2
T838	B2/206	MJ.51	Steering damper friction and anchor plate	1	19	1 9
50002	B2/208	MJ.52	Steering damper bottom plate	1	19	4 8
19537	B2/641	MJ.53	Steering damper bottom plate bolts ...	1	19	6
11940	—	—	Bolt for steering damper friction plate and cable clip	1	ES2, 50	3
19530	—	—	Clip for brake cable	1	50, ES2, 19	4
11796	—	—	Washer between cable clip and friction plate bolt	1	50, ES2, 19	3
12342	—	—	Anchor plate to frame bolt	1	19	5

PART No.	SUPERSEDED No.	PLATE No.	DESCRIPTION	QTY.	MODEL	PRICE EACH
NORTON ROAD HOLDER FORKS—cont.						£ s. d.
E5379	—	—	Anchor plate to frame bolt washer ...	1	19	3
E4643	B2/201	MJ.44	Steering damper adjuster ...	1	19	5 3
T830	B2/203	MJ.49	Steering damper rod ...	1	19	1 2
E4563	B2/202	MJ.47	Steering damper rod spring ...	1	19	10
E3231	B2/640	MJ.48	Steering damper rod nut ...	1	19	4
50251	B2/172	MJ.13	Crown lug with column ...	1	50, ES2, 19	2 12 10
13457	B2/642	MJ.17	Crown lug column pinch stud ...	2	50, ES2, 19	6
13459	B2/643	MJ.18	Crown lug pinch stud nut ...	2	50, ES2, 19	4
20068	—	MJ.7	Head clip ...	1	50, ES2, 19	1 18 2
T358	B2/173	—	Head clip ball race ...	1	50, ES2, 19	5 7
16725	—	—	Fork crown ball race (bottom) ...	1	50, ES2, 19	5 7
17714	A2/521	—	Ball race bearings ... (per set)	34	50, ES2, 19	4 8
14365	B2/644	MJ.14	Ball race cover ...	1	50, ES2, 19	1 2
T355	B2/645	MJ.12	Fork head race adjuster nut ...	1	50, ES2, 19	7 0
T352A	—	—	Fork crown and column lock nut ...	1	ES2, 50	5 10
T695	A2/646	MJ.46	Fork crown and column lock nut washer	1	50, ES2, 19	6
T352	B2/205	MJ.45	Fork crown and column lock nut ...	1	19	7 0
HANDLEBARS AND FITTINGS						
L4/211	—	—	Handlebar bend only ...	1	50, ES2, 19	1 9 4
19021A	L4/175	MJ.6	Handlebar clips ...	2	50, ES2, 19	2 4
19437	L4/176	MJ.5	Handlebar clip pins ...	4	50, ES2, 19	6
MAGNETO AND AIR CONTROL LEVERS						
M2/213	—	—	Magneto control lever assembly complete	1	50, ES2, 19	10 7
B2/214	—	—	Magneto control lever only ...	1	50, ES2, 19	4 8
M2/215	—	—	Magneto control lever body ...	1	50, ES2, 19	3 6
M2/216	—	—	Air control lever assembly complete ...	1	50, ES2, 19	10 7
M2/217	—	—	Air control lever only ...	1	50, ES2, 19	4 8
M2/218	—	—	Air control lever body ...	1	50, ES2, 19	3 6
M2/219	—	—	Air or magneto control lever top screws	1	50, SE2, 19	4
M2/220	—	—	Air or magneto control lever cap ...	1	50, SE2, 19	10
A2/221	—	—	Air or magneto control lever spring washer ...	1	50, ES2, 19	3
M2/223	—	—	Air or front brake lever clip screw ...	2	50, ES2, 19	9
FRONT BRAKE AND CLUTCH CONTROL LEVERS						
M2/224	—	—	Front brake lever assembly complete ...	1	50, ES2, 19	12 11
M2/225	—	—	Front brake lever only ...	1	50, ES2, 19	6 5
M2/226	—	—	Clutch lever assembly complete ...	1	50, ES2, 19	12 11
M2/227	—	—	Clutch lever only ...	1	50, ES2, 19	6 5
M2/228(LH)	—	—	Clutch lever body... ...	1	50, ES2, 19	5 11
M2/228 (RH)	—	—	Front brake lever body ...	1	50, ES2, 19	5 11
M2/229	—	—	Front brake or clutch lever pivot pin ...	2	50, ES2, 19	4
M2/230	—	—	Front brake or clutch lever pivot pin nut	2	50, ES2, 19	3
EXHAUST LIFTER LEVER						
M2/233	—	—	Exhaust lifter lever complete ...	1	50, ES2, 19	10 3
M2/234	—	—	Exhaust lifter lever only ...	1	50, ES2, 19	3 6
M2/235	—	—	Exhaust lifter lever body... ...	1	50, ES2, 19	4 8
A2/222	—	—	Exhaust lifter lever clip ...	1	50, ES2, 19	1 2
A2/223	—	—	Exhaust lifter pivot pin or clip screw ...	3	50, ES2, 19	4
A2/236	—	—	Exhaust lifter pivot pin nut ...	1	50, ES2, 19	3
TWIST GRIP						
M2/237	—	—	Twist grip complete ...	1	50, ES2, 19	12 4
M2/238	—	—	Twist grip top half clip ...	1	50, ES2, 19	3 10
M2/239	—	—	Twist grip bottom half clip ...	1	50, ES2, 19	3 10
A2/240	—	—	Twist grip clip fixing pin ...	2	50, ES2, 19	4
M2/241	—	—	Twist grip control barrel ...	1	50, ES2, 19	4 5
A2/242	—	—	Twist grip control adjusting screw ...	1	50, ES2, 19	5
A2/236	—	—	Twist grip adjusting screw nut ...	1	50, ES2, 19	3
M2/243	—	—	Twist grip adjusting screw spring ...	1	50, ES2, 19	1 0
M2/244	—	—	Twist grip cable stop ...	1	50, ES2, 19	8
M2/245	—	—	Twist grip plastic grip ...	1	50, ES2, 19	1 6
M2/246	—	—	Dummy grip to match twist grip ...	1	50, ES2, 19	2 1

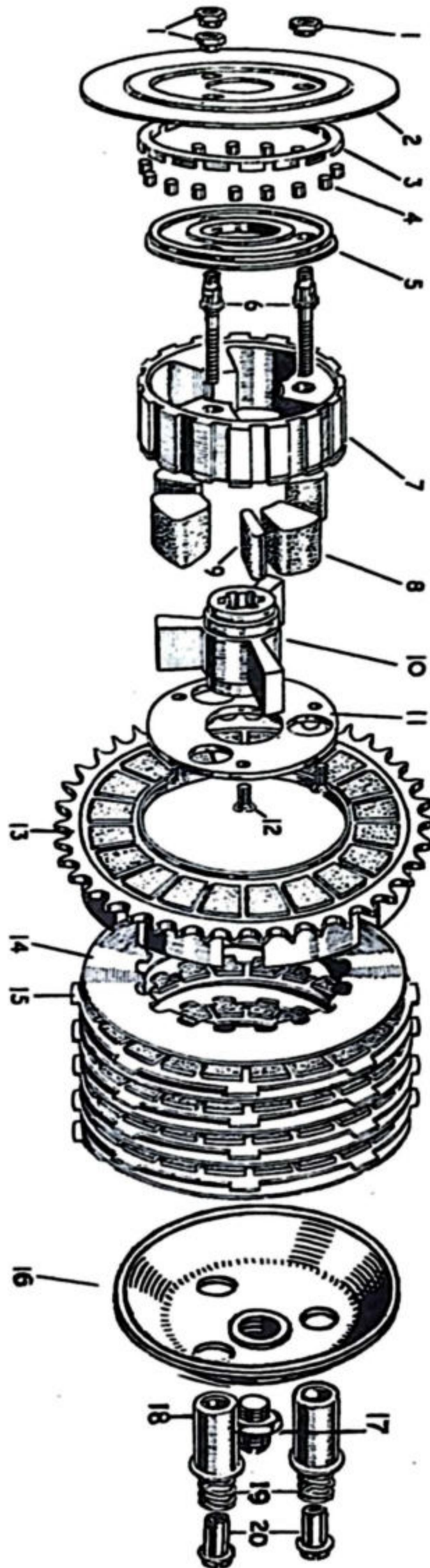
PART No.	SUPERSEDED No.	PLATE No.	DESCRIPTION	QTY.	MODEL	PRICE EACH
CONTROL CABLE ADJUSTERS AND NIPPLES						£ s. d.
18881	A2/247	—	Front brake cable adjuster	1	50, ES2, 19	3 6
18889	A2/248	—	Clutch or Exhaust cable adjuster	2	50, ES2, 19	1 0
A2/249	—	—	Magneto, air or throttle cable nipple (handlebar end)	3	50, ES2, 19	3
A2/250	—	—	Magneto control cable nipple (magneto end)	1	50, ES2, 19	3
A2/251	—	—	Air or throttle cable nipple (carburettor end)	1	50, ES2, 19	3
A2/252	—	—	Clutch or front brake cable nipple (handlebar end)	2	50, ES2, 19	1 2
A2/254	—	—	Front brake cable (U clip end) or exhaust lifter control cable nipple (lifter end)...	2	50, ES2, 19	3
A2/255	—	—	Exhaust lifter cable nipple (handlebar end)	1	50, ES2, 19	5
MAGNETO CONTROL CABLE						
18890	A2/256	—	Magneto control cable inner and outer complete	1	50, ES2, 19	4 9
A2/257	—	—	Magneto control outer cable	1	50, ES2, 19	2 8
A2/258	—	—	Magneto control inner cable	1	50, ES2, 19	2 1
AIR CONTROL CABLE						
20276	A2/259	—	Air control cable, inner and outer, complete	1	50, ES2, 19	4 9
A2/261	—	—	Air control cable, inner	1	50, ES2, 19	2 1
A2/260	—	—	Air control cable, outer	1	50, ES2, 19	2 8
THROTTLE CONTROL CABLE						
20277	—	—	Throttle control cable, inner and outer complete	1	50, ES2, 19	6 6
A2/264	—	—	Throttle control inner cable	1	50, ES2, 19	2 4
M2/263	—	—	Throttle control outer cable, complete	1	50, ES2, 19	4 2
CLUTCH CABLE						
19827	—	—	Clutch cable, inner and outer, complete	1	50, ES2, 19	4 9
A2/267	—	—	Clutch cable inner	1	50, ES2, 19	2 1
M2/266	—	—	Clutch cable outer	1	50, ES2, 19	2 8
FRONT BRAKE CONTROL CABLE						
20295	B2/268	—	Front brake cable complete	1	50, ES2, 19	6 6
B2/270	—	—	Front brake cable, inner	1	50, ES2, 19	2 4
B2/269	—	—	Front brake cable, outer	1	50, ES2, 19	4 1
14759	A2/709	—	Front brake cable U clip	1	50, ES2, 19	7
A2/427	—	—	Front brake cable U clip pin	1	50, ES2, 19	4
A2/195	—	—	Front brake cable U clip pin cotter	1	50, ES2, 19	1
EXHAUST CONTROL CABLE						
18886	A2/271	—	Exhaust cable inner and outer complete	1	50, ES2, 19	4 9
A2/273	—	—	Exhaust cable inner	1	50, ES2, 19	2 1
A2/272	—	—	Exhaust cable outer	1	50, ES2, 19	2 8
PETROL TANK AND FITTINGS						
20154	—	—	Petrol tank less fittings	1	50, ES2, 19	13 7 6
20197	—	—	Petrol tank side panel, left-hand	1	50, ES2, 19	1 10 0
20196	—	—	Petrol tank side panel, right-hand	1	50, ES2, 19	1 10 0
20232	—	—	Petrol tank side panel, plastic bead	2	50, ES2, 19	3 6
20231	—	—	Petrol tank side panel fixing pins	4	50, ES2, 19	5
10914	A2/275	—	Petrol tank platform packing washer (steel)	4	50, ES2, 19	4
E6745	A2/277	—	Petrol tank attachment bolt	4	50, ES2, 19	9
E6744	A2/276	—	Petrol tank platform rubber washer	4	50, ES2, 19	6
E6743	A2/278	—	Petrol tank attachment bolt rubber washer	4	50, ES2, 19	4
E6742	A2/279	—	Petrol tank attachment bolt rubber washer steel cup	4	50, ES2, 19	6
14733	E2/845	MY.6	Rear tank platform	1	50, ES2, 19	4 8

PART. No.	SUPERSEDED No.	PLATE No.	DESCRIPTION	QTY.	MODEL	PRICE EACH
PETROL TANK AND FITTINGS—cont.						£ s. d.
19359	—	MY.4	Rear tank platform stud ...	2	50, ES2, 19	9
E3231	—	MY.7	Rear tank platform stud nut ...	2	50, ES2, 19	4
11796	—	—	Rear tank platform stud nut washer ...	2	50, ES2, 19	3
19357	—	—	Rear tank platform spacer washer ...	2	50, ES2, 19	6
18524	K12/280	—	Petrol tank filler cap ...	1	50, ES2, 19	10 0
20222	K12/282 (LH)	—	Knee grip, left-hand ...	1	50, ES2, 19	3 6
20223	K12/282 (RH)	—	Knee grip, right-hand ...	1	50, ES2, 19	3 6
19325	L4/285	—	Petrol tap and filter ...	2	50, ES2, 19	7 0
11208/2	L4/286	—	Petrol tap banjo ...	2	50, ES2, 19	2 4
18700	—	—	Petrol tap washer ...	2	50, ES2, 19	3
11208/4	—	—	Petrol tap banjo washer ...	4	50, ES2, 19	3
11208/3	L4/287	—	Nut for petrol tap ...	2	50, ES2, 19	1 2
19389	—	—	Petrol pipe, short ...	1	50, ES2, 19	1 2
19388	—	—	Petrol pipe, long ...	1	19	1 6
19388B	—	—	Petrol pipe, long ...	1	ES2, 50	1 6
19439	—	—	Petrol pipe T piece ...	1	50, ES2, 19	2 1
18678	—	—	Petrol tank badge ...	2	50, ES2, 19	8 10
20230	—	—	Petrol tank badge screw ...	4	50, ES2, 19	4
18786	—	—	Petrol tank badge screw washer ...	4	50, ES2, 19	1
E3073	A2/289	—	Petrol tank top tube packing ...	2	50, ES2, 19	4
OIL TANK AND FITTINGS						
20147	—	—	Oil tank, less fittings ...	1	50, ES2, 19	2 9 4
18526	K12/291	—	Oil tank filler cap ...	1	50, ES2, 19	7 8
19379	L4/292	—	Oil tank union with filter ...	1	50, ES2, 19	8 3
E.6640	A2/293	—	Oil tank union washer ...	1	50, ES2, 19	6
17014	A2/298	—	Oil tank breather pipe and nut ...	1	50, ES2, 19	2 4
10995	—	—	Oil tank breather pipe nut ...	1	50, ES2, 19	4
12342	—	—	Oil tank top fixing pin ...	1	50, ES2, 19	5
E5379	—	—	Oil tank top fixing pin washer ...	1	50, ES2, 19	3
E6453	—	—	Oil tank bottom fixing stud ...	1	50, ES2, 19	6
E3223	—	—	Oil tank bottom fixing stud nut ...	1	50, ES2, 19	4
14867	E2/1050	—	Oil tank bottom bracket plate ...	1	50, ES2, 19	1 2
19678	—	—	Oil tank fixing bolt ...	1	50, ES2, 19	8
E5456	—	—	Oil tank fixing bolt washer ...	1	50, ES2, 19	3
13765	—	—	Oil tank drain plug ...	1	50, ES2, 19	9
13833	—	—	Oil tank drain plug washer ...	1	50, ES2, 19	3
OIL PIPES AND FITTINGS						
19480	E2/993	—	Junction block with oil pipes ...	1	50, ES2, 19	7 0
14843	E2/995	—	Junction block washer ...	1	50, ES2, 19	3
T2106	D12/994	—	Junction block dowel ...	1	50, ES2, 19	10
14714	—	—	Junction block stud ...	1	50, ES2, 19	1 0
E3223	—	—	Junction block stud nut ...	1	50, ES2, 19	4
E5456	—	—	Junction block stud nut washer ...	1	50, ES2, 19	3
19380	L4/1055	—	Return oil pipe adaptor (for tank) ...	1	50, ES2, 19	2 11
13786	E3/1056	—	Return oil pipe adaptor washer... ..	2	50, ES2, 19	3
19452	L4/295/6	—	Oil tank return or feed rubber pipe ...	2	50, ES2, 19	1 6
GEARBOX SHELL						
040097	—	TN.7	Gearbox shell assembly ...	1	50, ES2, 19	5 7 6
040056	—	TN.9	Gearbox bush ...	2	50, ES2, 19	4 9
000577	—	—	Gearbox dowel pins ...	2	50, ES2, 19	2
040064	—	TN.8	Gearbox studs (short) ...	2	50, ES2, 19	7
000271	—	TN.13	Gearbox studs (long) ...	5	50, ES2, 19	6
000004	—	—	Gearbox stud nuts ...	7	50, ES2, 19	5
040030	—	TN.46	Gearbox shell gasket ...	1	50, ES2, 19	2
040403	—	TN.47	Gearbox inner cover ...	1	50, ES2, 19	3 0 0
040072	—	TN.77	Gearbox inner cover K/S bush ...	1	50, ES2, 19	6 6
040042	—	—	Gearbox inner cover K/S stop ...	1	50, ES2, 19	1 9
040071	—	—	Gearbox inner cover K/S cam ...	1	50, ES2, 19	1 0
040041	—	—	Kickstarter cam and stop rivets ...	2	50, ES2, 19	1
040061	—	TN.49	Inner bush for gear change ...	1	50, ES2, 19	1 3
000577	—	—	Dowel pins... ..	2	50, ES2, 19	2
040063	—	—	Bush for gear change ...	1	50, ES2, 19	1 0
040058	—	TN.70	Bush for kickstarter ...	1	50, ES2, 19	5 6
040133	—	TN.56	Gearbox outer cover ...	1	50, ES2, 19	2 10 0
040055	—	TN.48	Gearbox outer cover gasket ...	1	50, ES2, 19	2



PART No.	SUPERSEDED No.	PLATE No.	DESCRIPTION	QTY.	MODEL	PRICE EACH
						£ s. d.
GEARBOX SHELL—cont.						
000482	—	TN.68	Gearbox outer cover screws ...	5	50, ES2, 19	5
040138	—	TN.11	Gearbox drain plug ...	1	50, ES2, 19	7
000200	—	TN.12	Gearbox drain plug washer ...	1	50, ES2, 19	4
040053	—	TN.66	Inspection cover ...	1	50, ES2, 19	7 0
040057	—	TN.67	Inspection cover washer ...	1	50, ES2, 19	1
000450	—	TN.65	Inspection cover pins ...	2	50, ES2, 19	3
000348	—	TN.87	Oil level plug ...	1	50, ES2, 19	5
000203	—	TN.86	Oil level plug washer ...	1	50, ES2, 19	2
GEARBOX FIXING BOLTS						
14367	D12/310	—	Gearbox top bolt ...	1	50, ES2, 19	4 1
15170	D12/313	—	Gearbox top bolt nut ...	1	50, ES2, 19	10
18495	A2/312	—	Gearbox bottom bolt and nuts ...	1	50, ES2, 19	1 6
E.4533	A2/313	—	Gearbox bottom bolt nut ...	1	50, ES2, 19	10
11809	—	—	Gearbox bottom bolt nut washer ...	1	50, ES2, 19	3
E3223	—	—	Gearbox bottom bolt chain case securing nut ...	1	50, ES2, 19	4
GEARBOX FRONT CHAIN ADJUSTER						
16997	H2/314	—	Gearbox front chain adjuster eye bolt and nuts ...	1	50, ES2, 19	4 8
E.3223	—	—	Gearbox front chain adjuster nut ...	2	50, ES2, 19	4
16996	H2/1008	—	Gearbox front chain adjuster bolt only	1	50, ES2, 19	3 11
GEARBOX PINIONS, SHAFTS AND BEARINGS						
040128	—	—	Gearbox complete, less clutch assembly	1	50, ES2, 19	23 0 0
040098	—	TN.17	Ballrace, mainshaft, large...	1	50, ES2, 19	1 2 6
040099	—	TN.75	Ballrace, mainshaft, small	1	50, ES2, 19	16 0
040100	—	TN.22	Ballrace, layshaft ...	1	50, ES2, 19	16 0
040131	—	—	Axle sprocket spacer ...	1	50, ES2, 19	5 0
040132	—	TN.16	Sleeve gear oil seal ...	1	50, ES2, 19	4 6
040116	—	TN.23	Sleeve gear assembly ...	1	50, ES2, 19	2 10 0
040062	—	—	Sleeve gear bushes ...	2	50, ES2, 19	2 6
040010	—	TN.6	Axle sprocket ...	1	50, ES2, 19	1 5 0
040076	—	TN.4	Axle sprocket locking plate ...	1	50, ES2, 19	6
000450	—	TN.3	Axle sprocket locking plate screw ...	1	50, ES2, 19	3
040070	TN.5	TN.1	Axle sprocket nut ...	1	50, ES2, 19	1 3
040108	—	TN.26	Cam plate assembly ...	1	50, ES2, 19	1 13 6
040018	—	—	Cam plate bare ...	1	50, ES2, 19	1 6 0
040015	—	—	Cam plate spindle ...	1	50, ES2, 19	7 6
040109	—	TN.31	Quadrant assembly ...	1	50, ES2, 19	1 0 0
040129	—	—	Quadrant O ring ...	1	50, ES2, 19	1 0
000174	—	TN.30	Washer for cam and quadrant ...	2	50, ES2, 19	2
040136	—	TN.29	Screw for cam and quadrant ...	2	50, ES2, 19	6
040022	—	TN.33-34	Selector fork ...	2	50, ES2, 19	1 9 0
040035	—	TN.25	Selector shaft ...	1	50, ES2, 19	5 6
040001	—	—	Mainshaft ...	1	50, ES2, 19	2 0 0
040023	—	TN.76	Mainshaft nut (K/S end) ...	1	50, ES2, 19	1 0
040012	—	TN.24	Mainshaft, 3rd gear ...	1	50, ES2, 19	1 12 6
040021	—	TN.35	Mainshaft, 2nd gear ...	1	50, ES2, 19	1 7 6
040048	—	—	Mainshaft, 2nd gear bush...	1	50, ES2, 19	6 6
040026	—	TN.39	Mainshaft, bottom gear ...	1	50, ES2, 19	12 6
040025	—	—	Layshaft ...	1	50, ES2, 19	1 10 0
040020	—	TN.36	Layshaft pinion ...	1	50, ES2, 19	12 6
040016	—	TN.37	Layshaft, 3rd gear ...	1	50, ES2, 19	1 8 6
040047	—	—	Layshaft, 3rd gear bush ...	1	50, ES2, 19	8 6
040019	—	TN.38	Layshaft, 2nd gear... ...	1	50, ES2, 19	1 10 0
040115	—	TN.40	Layshaft bottom gear assembly ...	1	50, ES2, 19	1 15 0
040046	—	—	Layshaft bottom gear bush ...	1	50, ES2, 19	5 0
040078	—	TN.32	Roller for knuckle pin ...	1	50, ES2, 19	4 0
040036	—	TN.20	Index plunger bush ...	1	50, ES2, 19	9
040045	—	TN.19	Index plunger spring ...	1	50, ES2, 19	2
040034	—	TN.18	Index plunger ...	1	50, ES2, 19	2 8
KICKSTARTER PARTS						
040114	—	TN.45	Kickstarter axle assembly ...	1	50, ES2, 19	2 7 0
040032	—	—	Kickstarter axle bush ...	1	50, ES2, 19	7 6
040017	—	TN.41	Kickstarter pawl ...	1	50, ES2, 19	5 6

PLATE M Q



PART No.	SUPERSEDED No.	PLATE No.	DESCRIPTION	QTY.	MODEL	PRICE EACH
						£ s. d.
KICKSTARTER PARTS—cont.						
040033	—	TN.43	Kickstarter pawl pin	1	50, ES2, 19	1 0
040044	—	TN.44	Kickstarter pawl spring	1	50, ES2, 19	3
040069	—	TN.42	Kickstarter pawl plunger	1	50, ES2, 19	6
040269	—	—	Kickstarter crank, folding type ...	1	50, ES2, 19	2 0 0
041315	—	—	Pedal for folding kickstarter crank	1	50, ES2, 19	15 0
041817	—	—	Securing bolt for pedal	1	50, ES2, 19	1 6
041318	—	—	Spring for folding pedal	1	50, ES2, 19	2
040101	—	TN.91	Kickstarter crank	1	50, ES2, 19	1 14 0
040102	—	TN.90	Kickstarter crank bolt	1	50, ES2, 19	1 0
040043	—	TN.71	Kickstarter return spring	1	50, ES2, 19	1 0
040005	—	TN.69	Kickstarter O ring	1	50, ES2, 19	1 0
N.8081	B2/648	—	Kickstarter crank rubber	1	50, ES2, 19	1 2
POSITIVE FOOTCHANGE						
040004	—	TN.57	Footchange lever	1	50, ES2, 19	1 2 6
040086	—	TN.58	Footchange lever rubber	1	50, ES2, 19	1 0
040105	—	TN.60	Footchange lever bolt	1	50, ES2, 19	1 0
000191	—	TN.63	Footchange lever bolt washer ...	1	50, ES2, 19	2
000005	—	TN.64	Footchange lever bolt nut	1	50, ES2, 19	5
040051	—	TN.59	Footchange gear indicator	1	50, ES2, 19	1 6
040137	—	TN.62	Footchange gear indicator screw ...	1	50, ES2, 19	6
000012	—	TN.61	Footchange gear indicator screw washer	1	50, ES2, 19	2
040111	—	TN.50	Ratchet gear assembly	1	50, ES2, 19	1 9 6
040066	—	—	Footchange ratchet plate spindle ...	1	50, ES2, 19	5 6
040052	—	TN.55	Footchange stop plate	1	50, ES2, 19	2 6
041400	—	TN.73	Stop plate screws	2	50, ES2, 19	6
014117	—	TN.72	Stop plate spring washers	2	50, ES2, 19	2
040079	—	TN.51	O ring for ratchet spindle	1	50, ES2, 19	6
040006	—	—	O ring for footchange	1	50, ES2, 19	1 0
040038	—	TN.88	Footchange pawl return spring ...	1	50, ES2, 19	4
040110	—	TN.52	Footchange pawl carrier assembly ...	1	50, ES2, 19	1 4 0
040002	—	—	Footchange pawl carrier only	1	50, ES2, 19	1 2 9
040024	—	—	Footchange pawl	1	50, ES2, 19	5 6
040067	—	—	Footchange pawl carrier pin	1	50, ES2, 19	1 6
040049	—	—	Footchange pawl circlip	1	50, ES2, 19	1
040075	—	TN.88	Footchange return spring	1	50, ES2, 19	6
040135	—	—	Footchange return spring washer ...	1	50, ES2, 19	6
040061	—	—	Footchange inner bush for gearchange	1	50, ES2, 19	1 3
CLUTCH						
20588	—	—	Clutch complete	1	50	12 0 0
19826	—	—	Clutch complete	1	ES2, 19	12 5 0
040031	—	TN.78	Clutch operating ball	1	50, ES2, 19	4
040059	—	TN.79	Clutch operating body	1	50, ES2, 19	8 6
040003	—	TN.80	Clutch operating body locking ring ...	1	50, ES2, 19	2 0
040029	—	TN.82	Clutch operating lever	1	50, ES2, 19	3 9
040060	—	TN.83	Clutch operating roller	1	50, ES2, 19	7
040065	—	TN.84	Clutch operating roller sleeve	1	50, ES2, 19	6
000457	—	TN.85	Clutch operating roller screw (2BA) ...	1	50, ES2, 19	5
011846	—	TN.81	Clutch operating roller screw nut ...	1	50, ES2, 19	3
040084	—	TN.21	Clutch rod	1	50, ES2, 19	2 3
040353	—	MQ2	Clutch back plate	1	50, ES2, 19	10 0
040367	A2/382	MQ.3	Clutch roller cage... ..	1	50, ES2, 19	3 0
000075	A2/383	MQ.4	Clutch rollers (15 per set)	1 set	50, ES2, 19	4 5
040351	—	MQ.5	Clutch race plate	1	50, ES2, 19	11 9
040384	—	MQ.6	Clutch spring stud	3	50, ES2, 19	2 4
040356	A2/402	MQ.1	Clutch spring stud nut	3	50, ES2, 19	4
040366	—	MQ.7	Clutch body only	1	50, ES2, 19	1 15 3
040386	A2/388	MQ.8	Clutch shock absorber rubbers (large)...	3	50, ES2, 19	7
040387	A2/389	MQ.9	Clutch shock absorber rubbers (small)	3	50, ES2, 19	5
040362	—	MQ.11	Clutch shock absorber cover plate ...	1	50, ES2, 19	7 0
040363	—	MQ.12	Clutch shock absorber cover plate pins...	3	50, ES2, 19	2
040354	—	MQ.10	Clutch body centre	1	50, ES2, 19	1 9 5
040392	—	MQ.13	Clutch sprocket with inserts	1	50, ES2, 19	2 18 9
040371	—	—	Clutch sprocket inserts (thick) ...	18	50, ES2, 19	per doz. 3 6
040391	—	MQ.15	Clutch friction plate with inserts ...	4	ES2, 19	14 2
040391	—	—	Clutch friction plate with inserts ...	3	50	14 2

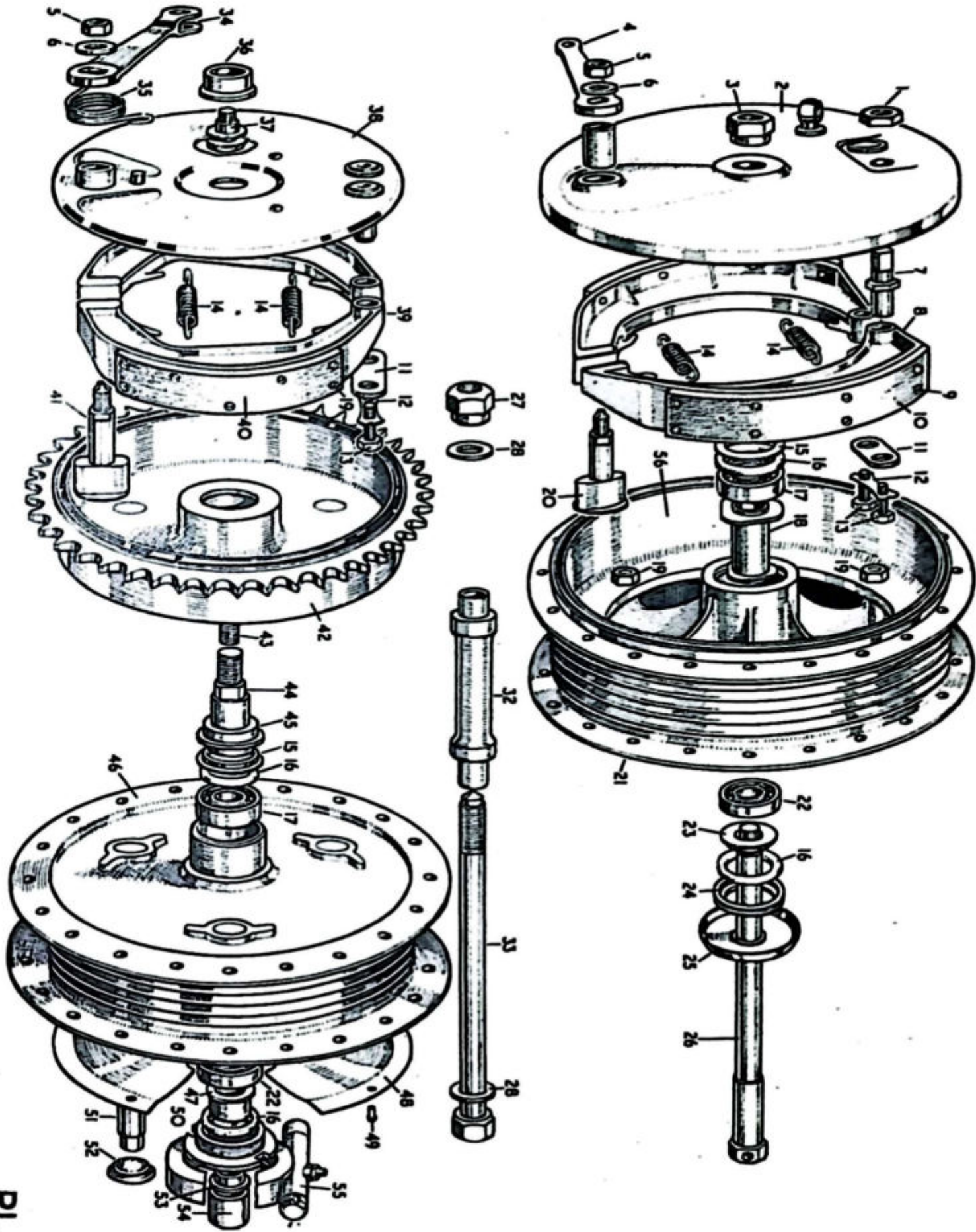


PLATE K R

PART No.	SUPERSEDED No.	PLATE No.	DESCRIPTION	QTY.	MODEL	PRICE EACH
						£ s. d.
CLUTCH—cont.						
040370	—	—	Clutch friction plate inserts (thin) ...	80	50, ES2, 19	3 0
					per doz.	
040355	—	MQ.14	Clutch plate (plain) ...	4	ES2, 19	3 6
040355	—	—	Clutch plate (plain) ...	3	50	3 6
040365	—	MQ.16	Clutch pressure plate ...	1	ES2, 19	10 6
040393	—	—	Clutch pressure plate ...	1	50	10 6
040360	—	MQ.17	Clutch adjuster ...	1	50, ES2, 19	7
040376	—	—	Clutch adjuster lock nut ...	1	50, ES2, 19	7
040388	—	MQ.18	Clutch spring cup ...	3	50, ES2, 19	10
040385	—	MQ.19	Clutch spring ...	3	50, ES2, 19	10
040389	—	MQ.20	Clutch spring adjuster nut ...	3	50, ES2, 19	1 2
040373	E6254	TN.1	Main axle nut ...	1	50, ES2, 19	10
040374	E6266	TN.2	Main axle nut washer ...	1	50, ES2, 19	3
FRONT WHEEL AND FITTINGS						
M12-2/714	—	—	Front wheel complete with bearings and brake, less tyre ...	1	50, ES2, 19	18 16 0
M12-2/428	—	—	Front wheel with hub shell only ...	1	50, ES2, 19	10 11 6
19664	—	KR.21	Front hub shell only ...	1	50, ES2, 19	4 12 6
E6888	A2/440	KR.24	Front hub bearing locking ring ...	1	50, ES2, 19	2 4
16783	J2/441	KR.23	Front hub bearing distance piece (plain side) ...	1	50, ES2, 19	1 2
20249	—	KR.26	Front wheel spindle ...	1	50, ES2, 19	17 7
E4768	B2/454	KR.3	Front hub spindle nut ...	1	50, ES2, 19	2 6
50257	—	KR.2	Front hub brake plate ...	1	50, ES2, 19	2 17 6
20052	—	KR.4	Front brake cam lever ...	1	50, ES2, 19	3 6
50249	—	KR.20	Front brake cam ...	1	50, ES2, 19	8 3
19652	—	KR.7	Brake plate torque stop pivot pin ...	1	50, ES2, 19	2 11
13079	B2/658	KR.1	Brake plate torque stop pivot pin nut ...	1	50, ES2, 19	6
E5944A	—	—	Brake plate packing washer ...	A.R.	50, ES2, 19	4
19646	—	KR.18	Bearing distance tube ...	1	50, ES2, 19	1 9
19719	—	—	Front hub bearing felt washer steel plate ...	1	50, ES2, 19	9
18551	K12-2/442	KR.25	Front hub bearing dust cap ...	1	50, ES2, 19	3 6
HUB BRAKE SHOES AND LININGS						
18502	J2/443F	KR.8	Hub brake shoe with linings (F) ...	2	50, ES2, 19	1 6 5
19584	H2/443R	KR.39	Hub brake shoe with linings (R) ...	2	50, ES2, 19	1 4 1
16782	J2/444F	KR.10	Hub brake lining (F) ... (per pair)	2	50, ES2, 19	14 10
					nett	
16547	H2/444R	KR.40	Hub brake lining (R) ... (per pair)	2	50, ES2, 19	12 10
					nett	
E5061	A2/445	KR.9	Hub brake shoe lining rivets (per set, 14)	2 set	50, ES2, 19	1 0
					per set	
PARTS COMMON TO FRONT AND REAR HUBS						
17719	A2/435	KR.22	Hub bearing single row (plain side) ...	2	50, ES2, 19	13 3
					nett	
17721	A2/436	KR.17	Hub bearing double row (brake side) ...	2	50, ES2, 19	1 5 1
					nett	
E6889	A2/437	KR.16	Hub bearing felt washer ...	4	50, ES2, 19	3
E5944	A2/438	KR.15	Hub bearing pen steel washer ...	2	50, ES2, 19	4
E5832	A2/446	KR.14	Brake shoe return springs ...	4	50, ES2, 19	6
14455	—	KR.11	Hub brake shoe retaining plate ...	2	50, ES2, 19	1 2
14454	—	KR.13	Hub brake shoe retaining plate bolts ...	4	50, ES2, 19	9
14506	—	KR.12	Brake shoe retaining plate tab washer ...	2	50, ES2, 19	9
18942	—	KR.5	Hub brake cam nut ...	2	50, ES2, 19	4
E5455	—	KR.6	Hub brake cam nut washer ...	2	50, ES2, 19	3
REAR WHEEL AND FITTINGS						
M12-2/715	—	—	Rear wheel complete with bearings and brake (less tyre) ...	1	50, ES2, 19	21 3 0
M12-2/649	—	—	Rear wheel with hub shell only ...	1	50, ES2, 19	9 19 9
19689	—	KR.46	Rear hub only ...	1	50, ES2, 19	5 11 7
18348	—	KR.48	Rear hub diaphragm ...	1	50, ES2, 19	8 10
18396	—	KR.49	Rear hub diaphragm drive screws ...	3	50, ES2, 19	2
18731A	—	KR.52	Rear hub rubber grommets ...	3	50, ES2, 19	11
18231	K12-2/434	KR.32	Hub shell bearing sleeve ...	1	50, ES2, 19	7 0

PART No.	SUPERSEDED No.	PLATE No.	DESCRIPTION	QTY.	MODEL	PRICE EACH
REAR WHEEL AND FITTINGS—cont.						£ s. d.
18234	K12-2/441	KR.47	Hub bearing distance piece (plain side)	1	50, ES2, 19	2 4
18232	K12-2/440	KR.50	Hub bearing locking ring	1	50, ES2, 19	5 10
19265	A2/460	KR.33	Rear hub spindle	1	50, ES2, 19	8 3
19266	B2/659	KR.28	Hub spindle washer	2	50, ES2, 19	3
13270	B2/660	KR.53	Speedometer drive distance piece	1	50, ES2, 19	1 9
18235	K12-2/461	KR.54	Hub spindle distance piece	1	50, ES2, 19	2 4
19852	—	—	Rear hub brake plate	1	50, ES2, 19	1 2 6
19268	A2/465	KR.36	Hub brake plate distance piece	1	50, ES2, 19	2 4
50245	—	KR.42	Brake drum and sprocket, 43-teeth	1	50, ES2, 19	3 10 0
E4760	K12-2/464	KR.44	Rear brake drum attachment piece	1	50, ES2, 19	9 5
19714	—	—	Felt washer retainer (brake side)	1	50, ES2, 19	9
19265	A2/454	KR.27	Rear Brake drum attachment piece nut... ..	1	50, ES2, 19	2 6
19847	—	—	Brake torque pivot pin	1	50, ES2, 19	4 8
19848	—	—	Brake torque pivot pin nut	1	50, ES2, 19	1 6
50011	—	KR.41	Rear brake cam	1	50, ES2, 19	10 0
19765	—	KR.34	Rear brake cam lever	1	50, ES2, 19	8 6
18233	K12-2/451	KR.51	Rear wheel sleeve nuts	3	50, ES2, 19	2 4
18338	—	—	Rear brake drum stud, locating	1	50, ES2, 19	1 6
18339	—	—	Rear brake drum stud, non-locating	2	50, ES2, 19	1 2
WHEEL RIMS AND SPOKES						
18350	—	—	Front or rear wheel rim	2	50, ES2, 19	2 2 3
20063	—	—	Wheel spokes front or rear long head... ..	20	50, ES2, 19	per set 4 8
20061	—	—	Wheel spokes front or rear short head	20	50, ES2, 19	per set 4 8
17717	A2/431	—	Spoke nipples	40	50, ES2, 19	per set 5 3
ENGINE SPROCKETS						
16821	H2/473/20T	—	Engine sprocket 20-tooth	1	ES2	1 0 7
16820	H2/473/19T	—	Engine sprocket 19-tooth	1	19	1 0 7
16819	H2/473/18T	—	Engine sprocket 18-tooth	1	50	1 0 7
E3682	A2/474	—	Engine sprocket key	1	50, ES2, 19	3
12882	A2/475	—	Engine sprocket lock nut	1	50, ES2, 19	1 2
CHAINS FRONT AND REAR						
17835	L4/477	—	Front chain 76-link	1	50, ES2, 19	nett 1 5 0
17729	A2/478	—	Rear chain 90-link... ..	1	50, ES2, 19	nett 2 3 0
A2/480	—	—	Front chain crank link	1	50, ES2, 19	nett 3 0
A2/479	—	—	Front chain spring link	1	50, ES2, 19	nett 1 9
A2/481	—	—	Rear chain spring link	1	50, ES2, 19	nett 1 9
A2/482	—	—	Rear chain crank link	1	50, ES2, 19	nett 3 0
REAR CHAIN ADJUSTERS						
19264	L4/666	MY.40	Rear chain adjuster bolt	2	50, ES2, 19	1 2
E.3229	—	MY.39	Rear chain adjuster bolt nut	2	50, ES2, 19	4
FRONT CHAINCASE AND FITTINGS						
19654	H4/484	—	Front chaincase inner portion	1	50, ES2, 19	2 7 0
19401	L4/485	—	Front chaincase outer portion	1	50, ES2, 19	2 12 10
13185	A2/486	—	Front chaincase sealing washer	1	50, ES2, 19	8 10
E3336	—	—	Front chaincase drain plug	1	50, ES2, 19	9
E5264	—	—	Front chaincase drain plug washer	1	50, ES2, 19	3
14837	A2/487	—	Front chaincase inspection disc	1	50, ES2, 19	2 1
E6085	A2/488	—	Front chaincase inspection disc washer... ..	1	50, ES2, 19	3
11822	A2/489	—	Front chaincase inspection disc spring clip	1	50, ES2, 19	1 2
E6354	—	—	Front chaincase inner portion attachment pin	1	50, ES2, 19	5

PART No.	SUPERSEDED No.	PLATE No.	DESCRIPTION	QTY.	MODEL	PRICE EACH
FRONT CHAINCASE AND FITTINGS—cont.						£ s. d.
E6202	A2/490	—	Front chaincase inner portion attachment pin locking washer	1	50, ES2, 19	4
14371	D12/491	—	Front chaincase inner portion support stud	1	50, ES2, 19	2 1
E3231	—	—	Front chaincase support stud nut	1	50, ES2, 19	4
E3223	—	—	Front chaincase support stud nut	1	50, ES2, 19	4
14842	E2/492	—	Front chaincase support stud washer	1	50, ES2, 19	6
10914	A2/275	—	Front chaincase support stud washer	1	50, ES2, 19	4
E6207	A2/494	—	Footrest tube felt washer	1	50, ES2, 19	4
E6055	A2/495	—	Chaincase outer portion securing nut	1	50, ES2, 19	2 9
E6056	A2/496	—	Chaincase outer portion securing nut washer	1	50, ES2, 19	2 4
REAR CHAINGUARD AND FITTINGS						
19836	—	—	Rear chainguard	1	50, ES2, 19	1 8 2
12342	—	—	Rear chainguard pin	1	50, ES2, 19	5
E3229	—	—	Rear chainguard pin nut	1	50, ES2, 19	4
E5379	—	—	Rear chainguard pin nut washer	2	50, ES2, 19	3
15817	—	—	Rear chainguard rear fixing bolt	1	50, ES2, 19	1 2
E3229	—	—	Rear chainguard rear fixing bolt nut	1	50, ES2, 19	4
16789	—	—	Rear chainguard distance piece	1	50, ES2, 19	6
REAR BRAKE PEDAL						
19975	—	—	Rear brake pedal	1	50, ES2, 19	1 8 2
19929	—	—	Rear brake pedal return spring	1	50, ES2, 19	6
19978	—	—	Rear brake pedal grease nipple	1	50, ES2, 19	1 6
19976	—	—	Rear brake pedal stop	1	50, ES2, 19	9
19977	—	—	Rear brake pedal spindle... ..	1	50, ES2, 19	3 0
REAR BRAKE ROD AND FITTINGS						
19992	—	—	Rear brake rod	1	50, ES2, 19	3 6
20134	—	—	Rear brake rod jaw joint... ..	1	50, ES2, 19	5 6
15821	H12/505	—	Rear brake rod adjuster	1	50, ES2, 19	3 6
E3255	—	—	Rear brake rod jaw joint pin	1	50, ES2, 19	6
17735	A2/195	—	Rear brake rod jaw joint pin cotter	1	50, ES2, 19	1
18929	—	—	Rear brake rod rollers (cam lever end)	1	50, ES2, 19	6
FOOTREST AND FITTINGS						
19983	—	MY.52	Footrest rubber	2	50, ES2, 19	1 8
14366	D12/510	—	Footrest rod	1	50, ES2, 19	2 11
E3220	—	—	Footrest rod domed nut	1	50, ES2, 19	1 0
E3238	—	MY.48	Footrest rod plain nut	1	50, ES2, 19	5
E5377	—	—	Footrest rod washer	2	50, ES2, 19	3
18149	A2/512	MY.50	Footrest hanger, left-hand	1	50, ES2, 19	5 10
19984	—	—	Footrest hanger, spindle	2	50, ES2, 19	1 6
18772	D12/513 (RH)	MY.13	Footrest hanger, right-hand	1	50, ES2, 19	11 9
FRONT AND REAR ENGINE PLATES						
19870	—	MY.19	Front engine plate, left-hand	1	50, ES2, 19	4 8
19871	—	MY.20	Front engine plate, right-hand	1	50, ES2, 19	4 8
E4542	A2/523	MY.18	Front engine plate cover	1	50, ES2, 19	3 6
17612	E4/517	—	Rear engine plate (right-hand) with footrest tube	1	50, ES2, 19	14 8
17611	H4/516	MY.25	Rear engine plate (left-hand) with footrest tube	1	50, ES2, 19	14 8
FRAMES AND REAR SUSPENSION						
19890	—	MY.1	Frame with head races only	1	50, ES2, 19	25 0 0
E3744	—	—	Frame head race, top or bottom	2	50, ES2, 19	5 7
E2/521	—	—	Frame head balls ... (per set of 34) 1 set	1	50, ES2, 19	4 8
17727	—	—	Grease nipple for head lug	1	50, ES2, 19	6
20007	—	MY.2	Frame fork stop bolt	2	50, ES2, 19	1 2
11796	—	MY.3	Frame fork stop bolt washer	2	50, ES2, 19	3
19887	—	MY.26	Rear mudguard and engine plate support bridge	1	50, ES2, 19	1 0 6
20062	—	MY.27	Support bridge fixing screws	2	50, ES2, 19	1 5

PART No.	SUPERSEDED No.	PLATE No.	DESCRIPTION	QTY.	MODEL	PRICE EACH
FRAMES AND REAR SUSPENSION—cont.						£ s. d.
20183	—	MY.12	Rear shock absorber unit	2	ES2, 50	
					nett	3 5 0
20198	—	—	Rear shock absorber unit	2	19	
					nett	3 5 0
19421	—	MY.11	Rear shock absorber unit top fixing bolt	2	50, ES2, 19	1 2
E3223	—	MY.8	Rear shock absorber unit top or bottom fixing bolt nut	4	50, ES2, 19	4
E5456	—	MY.9	Rear shock absorber unit top fixing bolt nut washer	2	50, ES2, 19	3
19420	—	MY.10	Rear shock absorber and mudguard distance piece	2	50, ES2, 19	1 2
18704	—	MY.36	Rear shock absorber unit bottom fixing bolt	2	50, ES2, 19	1 2
11796	—	—	Rear shock absorber unit bottom bolt washers	4	50, ES2, 19	3
SWINGING ARM AND FITTINGS						
M4/1088	—	—	Swinging arm assembly with bushes and bolt	1	50, ES2, 19	7 6 10
19762	—	MY.38	Swinging arm only	1	50, ES2, 19	5 17 6
20083	—	—	Swinging arm silent bloc bearing ...	2	50, ES2, 19	8 10
19902	—	MY.35	Swinging arm bolt	1	50, ES2, 19	7 6
16840	—	MY.33	Swinging arm bolt nut	2	50, ES2, 19	9
STAND CENTRE						
19919	—	MY.43	Centre stand	1	50, ES2, 19	1 12 6
19922	—	MY.42	Centre stand bolts	2	50, ES2, 19	1 6
19889	—	MY.41	Centre stand return spring	1	50, ES2, 19	2 4
PROP STAND SIDE						
19982A	—	MY.49	Side prop stand	1	50, ES2, 19	1 4 8
19949	—	MY.46	Side prop stand spring	1	50, ES2, 19	1 2
20040	—	—	Side prop stand bolt	1	50, ES2, 19	1 6
E5377	—	—	Side prop stand washer	1	50, ES2, 19	3
11664	—	—	Side prop stand nut	1	50, ES2, 19	7
19950	—	MY.47	Side prop stand spring clip	1	50, ES2, 19	6
FRONT MUDGUARD, STAYS AND FITTINGS						
19286	L4/529	—	Front mudguard with number plate stanchions	1	50, ES2, 19	1 3 6
19287	L4/530	—	Front mudguard stay	2	50, ES2, 19	3 6
18710	—	—	Front mudguard stay bolt	2	50, ES2, 19	5
18711	—	—	Front mudguard stay bolt washer ...	2	50, ES2, 19	3
E3229	—	—	Front mudguard stay bolt nut	2	50, ES2, 19	4
13192	—	—	Front mudguard stay bolt packing washers	2	50, ES2, 19	3
18854	—	—	Front mudguard stay bolt (fork end) ...	2	50, ES2, 19	5
11796	—	—	Front mudguard stay bolt washer (fork end)	2	50, ES2, 19	3
19283	L4/680	—	Front mudguard centre stay	1	50, ES2, 19	3 6
18709	—	—	Front mudguard centre stay bolts ...	2	50, ES2, 19	5
18711	—	—	Front mudguard centre stay bolt washers	2	50, ES2, 19	3
E3229	—	—	Front mudguard centre stay bolt nuts ...	2	50, ES2, 19	4
E5379	—	—	Front mudguard centre stay bolt nut washers	2	50, ES2, 19	3
T1085	—	—	Front mudguard centre stay fork attachment stud	4	50, ES2, 19	6
E3229	—	—	Front mudguard centre stay fork attachment stud nut	4	50, ES2, 19	4
E5379	—	—	Front mudguard centre stay fork attachment stud nut washer	4	50, ES2, 19	3
E3262	—	—	Front mudguard stand attachment stud	1	50, ES2, 19	9
E3223	—	—	Front mudguard stand attachment stud nut	1	50, ES2, 19	4
E5456	—	—	Front mudguard stand attachment stud washer	2	50, ES2, 19	3
E3218	—	—	Front mudguard stand attachment stud domed nut	1	50, ES2, 19	6

PART No.	SUPERSEDED No.	PLATE No.	DESCRIPTION	QTY.	MODEL	PRICE EACH
NUMBER PLATES AND FITTINGS FRONT AND REAR						£ s. d.
18706	K12/531	—	Front number plate	1	50, ES2, 19	3 6
18712	—	—	Front number plate fixing screws	2	50, ES2, 19	3
18755	—	—	Front number plate rubber	1	50, ES2, 19	10
18708	—	—	Front number plate stanchions	2	50, ES2, 19	10
E3229	—	—	Front number plate stanchion nuts	2	50, ES2, 19	4
E5379	—	—	Front number plate stanchion nut washers	2	50, ES2, 19	3
19343	L4/532	—	Rear number plate with cuff	1	50, ES2, 19	14 8
18629A	—	—	Rear number plate cuff rubber	1	50, ES2, 19	1 9
13053	—	—	Rear number plate fixing stud	2	50, ES2, 19	6
11796	—	—	Rear number plate fixing stud washers	2	50, ES2, 19	3
E3231	—	—	Rear number plate fixing stud nuts	2	50, ES2, 19	4
20965	—	—	Rear number plate plastic bead, all models	1	50, ES2, 19	1 6
STAND FRONT						
19285	L4/544	—	Front stand	1	50, ES2, 19	11 9
11940	—	—	Front stand attachment bolt	2	50, ES2, 19	6
11796	—	—	Front stand attachment bolt washer	2	50, ES2, 19	3
REAR MUDGUARD, STAYS AND FITTINGS						
20160	—	—	Rear mudguard complete	1	50, ES2, 19	2 18 9
20160R	—	—	Rear mudguard rear portion	1	50, ES2, 19	17 7
20160F	—	—	Rear mudguard front portion	1	50, ES2, 19	2 1 1
19484	L4/536 (LH)	—	Rear mudguard lifting handle (left-hand)	1	50, ES2, 19	4 8
19485	L4/537 (RH)	—	Rear mudguard lifting handle (right-hand)	1	50, ES2, 19	4 8
19432	—	—	Lifting handle and rear portion fixing bolts	3	50, ES2, 19	5
19433	—	—	Lifting handle and rear portion fixing bolt washers	3	50, ES2, 19	3
19434	—	—	Lifting handle to mudguard fixing bolts	2	50, ES2, 19	5
19435	—	—	Lifting handle to mudguard fixing bolt washers	2	50, ES2, 19	3
E3229	—	—	Lifting handle to mudguard fixing bolt nuts	2	50, ES2, 19	4
12342	—	—	Mudguard bottom fixing bolts	2	50, ES2, 19	5
E3229	—	—	Mudguard bottom fixing bolt nuts	2	50, ES2, 19	4
E5379	—	—	Mudguard bottom fixing bolt nut washers	2	50, ES2, 19	3
19429	—	—	Rubber grommets for mudguard	2	50, ES2, 19	6
14490	—	—	Clip for tail and stop light lead	1	50, ES2, 19	6
TOOLBOX AND BATTERY BOX						
19281	L4/538	—	Tool and battery box with lid	1	50, ES2, 19	2 7 0
19241	—	—	Tool and battery box lid	1	50, ES2, 19	15 0
19290	L4/539	—	Tool and battery box lid knob	1	50, ES2, 19	6
E4764	—	—	Tool and battery box lid knob circlip	1	50, ES2, 19	2
13053	—	—	Tool and battery box top fixing stud	1	50, ES2, 19	6
E3223	—	—	Tool and battery box top fixing stud nut	1	50, ES2, 19	4
E5456	—	—	Tool and battery box top fixing stud nut washer	1	50, ES2, 19	3
19249	—	—	U bolt for battery fixing	1	50, ES2, 19	1 9
E3221	—	—	U bolt nuts	2	50, ES2, 19	4
17707	—	—	U bolt nut spring washers	2	50, ES2, 19	2
19248	—	—	Retaining strap, battery fixing	1	50, ES2, 19	10
E6453	—	—	Tool and battery box bottom fixing stud	1	50, ES2, 19	6
E3223	—	—	Tool and battery box bottom fixing stud nut	1	50, ES2, 19	4
19092	—	—	Tool and battery box fixing bolt	1	50, ES2, 19	5
E5456	—	—	Tool and battery box fixing bolt washer	1	50, ES2, 19	3
18709	—	—	Tool and battery box rear fixing bolt	1	50, ES2, 19	5
E5379	—	—	Tool and battery box rear fixing bolt washer	1	50, ES2, 19	3
E3229	—	—	Tool and battery box rear fixing bolt nut	1	50, ES2, 19	4
14867	—	—	Toolbox bottom fixing plate	1	50, ES2, 19	1 6
15689	—	—	Toolbox rubber grommets	2	50, ES2, 19	6
19289	—	—	Battery box support bracket assembly	1	50, ES2, 19	2 6

PART No.	SUPERSEDED No.	PLATE No.	DESCRIPTION	QTY.	MODEL	PRICE EACH
DUAL SEAT AND FITTINGS						
19445	L4/540	—	Dual seat	1	50, ES2, 19	£ 6 9 3
13053	—	—	Dual seat fixing studs	2	50, ES2, 19	6
E3223	—	—	Dual seat fixing stud nuts	2	50, ES2, 19	4
E5456	—	—	Dual seat fixing stud washers	2	50, ES2, 19	3
19488	—	—	Rubber plug for dual seat	2	50, ES2, 19	6
SPEEDOMETER AND FITTINGS						
19364	L4/545	—	Speedometer head	1	50, ES2, 19	nett 3 10 0
B2/681	—	—	Speedometer head rubber washer ...	1	50, ES2, 19	6
B2/555	—	—	Speedometer head attachment bracket	1	50, ES2, 19	1 9
B2/556	—	—	Speedometer head attachment bracket securing nut	2	50, ES2, 19	4
B2/557	—	—	Speedometer head attachment bracket securing nut washers	2	50, ES2, 19	2
19367	L4/552	—	Speedometer cable complete	1	50, ES2, 19	nett 1 2 6
L4/553	—	—	Speedometer cable outer	1	50, ES2, 19	nett 11 3
L4/554	—	—	Speedometer cable inner	1	50, ES2, 19	nett 11 3
19366	L4/564	—	Speedometer gearbox complete ...	1	50, ES2, 19	nett 2 2 6
PILLION FOOTRESTS AND FITTINGS						
H12/584	—	MY.32	Pillion footrests complete (per pair)	1	50, ES2, 19	2 0 0
18254	H12/1086	—	Pillion footrest bar	2	50, ES2, 19	7 6
19885	—	MY.30	Pillion footrest bar lug	2	50, ES2, 19	6 4
16246	—	—	Pillion footrest and silencer fixing stud...	2	50, ES2, 19	1 0
19884	—	—	Pillion footrest and silencer fixing stud nut	2	50, ES2, 19	1 11
19147	—	—	Pillion footrest and silencer fixing stud washers	2	50, ES2, 19	3
16248	—	MY.31	Pillion footrest bar and lug pin	2	50, ES2, 19	9
16250	—	MY.29	Pillion footrest bar and lug pin spring washer	2	50, ES2, 19	2
16247	—	MY.28	Pillion footrest bar and lug pin lock nut...	2	50, ES2, 19	4
16249	M12/583	—	Pillion footrest rubber	2	50, ES2, 19	1 9
MAGDYNO PARTS (All prices RETAIL NETT)						
462863	—	—	Gear set	1	50, ES2, 19	1 15 0
123064	—	—	Screw securing dynamo to magneto ...	1	50, ES2, 19	6
200737	—	—	Dynamo brushes (per set)	1 set	50, ES2, 19	3 0
463066	—	—	H.T. pick-up for magneto	1	50, ES2, 19	5 0
451260	—	—	H.T. pick-up carbon brush and spring ...	1	50, ES2, 19	8
493394	—	—	Dynamo to magneto securing strap with pin and roller	1	50, ES2, 19	3 6
460051	—	—	Contact breaker complete	1	50, ES2, 19	13 9
484098	—	—	Contact breaker points (per set)	1 set	50, ES2, 19	2 6
410600	—	—	Screwed bush for H.T. pick-up	1	50, ES2, 19	5
460061	—	—	Contact breaker cover	1	50, ES2, 19	1 6
200902	—	—	Dynamo bakelite end cover	1	50, ES2, 19	5 3
454495	—	—	Steel pinion for dynamo drive	1	50, ES2, 19	7 0
18856	—	—	H.T. lead cover	1	50, ES2, 19	10
19451	—	—	Sparking plug cover	1	50, ES2, 19	2 0
18465	—	—	Sparking plug cover with suppressor ...	1	50, ES2, 19	2 6
HEADLAMP AND FITTINGS (All prices RETAIL NETT)						
58016A	—	—	Headlamp complete	1	50, ES2, 19	5 15 0
36084F	—	—	Ammeter	1	50, ES2, 19	10 0
31626A	—	—	Switch	1	50, ES2, 19	12 6
351788	—	—	Switch handle	1	50, ES2, 19	2 6
105751	—	—	Switch handle screw	1	50, ES2, 19	3
516798	—	—	Light unit	1	50, ES2, 19	16 0
553248	—	—	Headlamp rim	1	50, ES2, 19	15 0
31563A	—	—	Dipper and horn switch	1	50, ES2, 19	10 6
18733	—	—	Dipper switch rubber	1	50, ES2, 19	9
18734	—	—	Dipper switch fixing screws	2	50, ES2, 19	3
112201	—	—	Headlamp fixing bolts	2	50, ES2, 19	2 9

PART No.	SUPERSEDED No.	PLATE No.	DESCRIPTION	QTY.	MODEL	PRICE EACH
STOP LAMP AND FITTINGS						£ s. d.
53432B	—	—	Stop and tail lamp complete	1	50, ES2, 19	1 2 6
573839	—	—	Stop and tail lamp lens	1	50, ES2, 19	4 6
575200	—	—	Stop and tail lamp window	1	50, ES2, 19	2 3
575219	—	—	Lens fixing nuts	2	50, ES2, 19	6
166014	—	—	Stop and tail lamp fixing nuts	2	50, ES2, 19	3
188327	—	—	Stop and tail lamp fixing nut washers ...	2	50, ES2, 19	1
31383	—	—	Stop lamp switch	1	50, ES2, 19	7 6
20135	—	—	Stop lamp switch bracket	1	50, ES2, 19	1 6
VOLTAGE REGULATOR AND FITTINGS						
37127M	—	—	Voltage regulator	1	50, ES2, 19	2 9 0
12342	—	—	Voltage regulator fixing pins	2	50, ES2, 19	5
E3229	—	—	Voltage regulator fixing pin nuts	2	50, ES2, 19	4
E5379	—	—	Voltage regulator fixing pin nut washers	2	50, ES2, 19	3
19991	—	—	Voltage regulator waterproof cover ...	1	50, ES2, 19	9
ELECTRIC HORN AND FITTINGS						
70140A	—	—	Electric horn with bracket	1	50, ES2, 19	1 16 0
700776	—	—	Electric horn bracket	1	50, ES2, 19	3 9
12342	—	—	Electric horn to frame bracket fixing bolt	2	50, ES2, 19	5
20155	—	—	Electric horn to frame bracket fixing bolt plate	1	50, ES2, 19	1 6
TOOLS						
M4/563	—	—	Tool roll complete with tools	1	50, ES2, 19	1 17 6
SPU/1/30	B2/682	—	Fork crown and column lock nut spanner	1	50, ES2, 19	5 9
SPU2/22	B2/683	—	Fork filler plug and head adjuster nut spanner	1	50, ES2, 19	5 0
DWU/01	A2/567	—	Screw driver	1	50, ES2, 19	1 2
SPU2/02	A2/563	—	$\frac{1}{4}$ " x $\frac{3}{16}$ " spanner	2	50, ES2, 19	1 6
SHU/29	A3/579	—	Exhaust pipe C spanner	1	50, ES2, 19	3 9
LTU/07	A2/573	—	Tyre levers... ..	2	50, ES2, 19	2 2
SBU2/88	—	—	Sparking plug spanner	1	50, ES2, 19	1 11
SBU2/76	—	—	Box spanner, $\frac{7}{16}$ " x $\frac{1}{2}$ "	1	50, ES2, 19	2 10
TBA/01	A2/581	—	Tommy bar, $\frac{7}{16}$ " x $6\frac{1}{2}$ "	1	50, ES2, 19	6
TBU/47	—	—	Tommy bar, $\frac{7}{16}$ " x 8"	1	50, ES2, 19	1 0
SPU.2/04	A2/566	—	Open ended spanner, $\frac{5}{16}$ " x $\frac{3}{8}$ "	1	50, ES2, 19	3 8
SPU1/01	A2/578	—	Cable adjuster spanner	1	50, ES2, 19	1 3
19438	—	—	Allen spanner	1	50, ES2, 19	1 0
18671	—	—	Magneto spanner	1	50, ES2, 19	8
20648	—	—	Wheel sleeve nut box spanner	1	50, ES2, 19	1 8
13685	B2/685	—	Pull-through for roadholder forks	1	50, ES2, 19	8 10
17756	—	—	Tyre inflator	1	50, ES2, 19	9 5
18976	—	—	Shock absorber adjusting spanner	1	50, ES2, 19	3 6
AIR CLEANER						
19820	—	—	Air cleaner	1	50, ES2, 19	1 10 6
19845	—	—	Air cleaner connecting hose	1	50, ES2, 19	4 3
20139	—	—	Air cleaner hose fixing clips	1	50, ES2, 19	10
12342	—	—	Air cleaner to mudguard fixing bolts ...	2	50, ES2, 19	5
E5379	—	—	Air cleaner to mudguard fixing bolt washers	2	50, ES2, 19	3
E3229	—	—	Air cleaner to mudguard fixing bolt nuts	2	50, ES2, 19	4
20137	—	—	Carburettor adaptor	1	50, ES2, 19	2 10

PART No.	SUPERSEDED No.	PLATE No.	DESCRIPTION	QTY.	MODEL	PRICE EACH
LEGSHIELDS AND FITTINGS						
						£ s. d.
K4/589	—	—	Legshields and fittings complete (per set)	1	50, ES2, 19	3 2 8
11242	A2/590	—	Legshield blade, left-hand	1	50, ES2, 19	17 3
11241	A2/591	—	Legshield blade right-hand	1	50, ES2, 19	17 3
11244	A2/592	—	Legshield blade bracket, left or right-hand	2	50, ES2, 19	1 2
12342	—	—	Legshield blade bracket pin	1	50, ES2, 19	5
E3229	—	—	Legshield blade bracket pin nut... ..	1	50, ES2, 19	4
11249	A2/595	—	Legshield tank attachment bracket left-hand	1	50, ES2, 19	3 2
11248	A2/596	—	Legshield tank attachment bracket right-hand	1	50, ES2, 19	3 2
A2/597	—	—	Petrol tank front rubber	1	50, ES2, 19	6
15561	—	—	Legshield top securing rod	1	50, ES2, 19	4 0
11252	A2/599	—	Legshield bottom securing rod	1	50, ES2, 19	4 0
E3226	—	—	Legshield securing rod nut	1	50, ES2, 19	4
11261	A2/600	—	Legshield blade bracket distance tube, 3½"	4	50, ES2, 19	9
11254	A2/601	—	Tank bracket distance tube, 13½"	1	50, ES2, 19	2 0
11255	A2/602	—	Legshield blade tank bracket distance tube, 1½"	1	50, ES2, 19	4
11255B	—	—	Legshield blade tank bracket distance tube, 2½"	1	50, ES2, 19	6
11257	A2/603	—	Legshield bottom left-hand distance tube, 5½"	1	50, ES2, 19	1 0
11256B	—	—	Legshield bottom right-hand distance tube, 7½"	1	50, ES2, 19	1 6
TRANSFERS						
17731	A2/868	—	Oil bath transfer	1	50, ES2, 19	1 4
19555	—	—	Rear mudguard transfer	1	ES2	1 4
19556	—	—	Rear mudguard transfer	1	19	1 4
19551	—	—	Rear mudguard transfer	1	50	1 4
17755	—	—	Petrol tank panel transfer	1	50, ES2, 19	1 4
17773	—	—	Oil tank transfer (minimum oil level)	1	50, ES2, 19	1 4
CABLE CLIPS						
19091	—	—	Cable Clips (size C) (speedo cable to frame)	4	50, ES2, 19	4
19090	—	—	Cable clips (size F) (throttle, air and clutch cables to frame)	8	50, ES2, 19	4
18489	—	—	Cable clips (size D) (throttle and air cables, handlebar end)	1	50, ES2, 19	2
17752	—	—	Cable clips (size S) (stop lamp and tail lamp leads to frame)	2	50, ES2, 19	6
LAPEL BADGES (this price RETAIL NETT)						
341	—	—	Lapel badge	1		1 9

All prices subject to 10%, unless stated as Nett

Please note we reserve the right to alter the above prices or specification of any parts at any time without notice.