

Norton

REGD. TRADE MARK

SPARE PARTS LIST FOR 1959 MODELS 88, 99, ES2 and 50

PUBLICATION PS 206

Price 3s. 6d.

NORTON MOTORS LTD.
BRACEBRIDGE ST., BIRMINGHAM, 6, ENGLAND

Phone: Aston Cross 3711 (Private Branch Exchange)

Grams: "Nortomo, Birmingham"

T/SIDE

D/SIDE

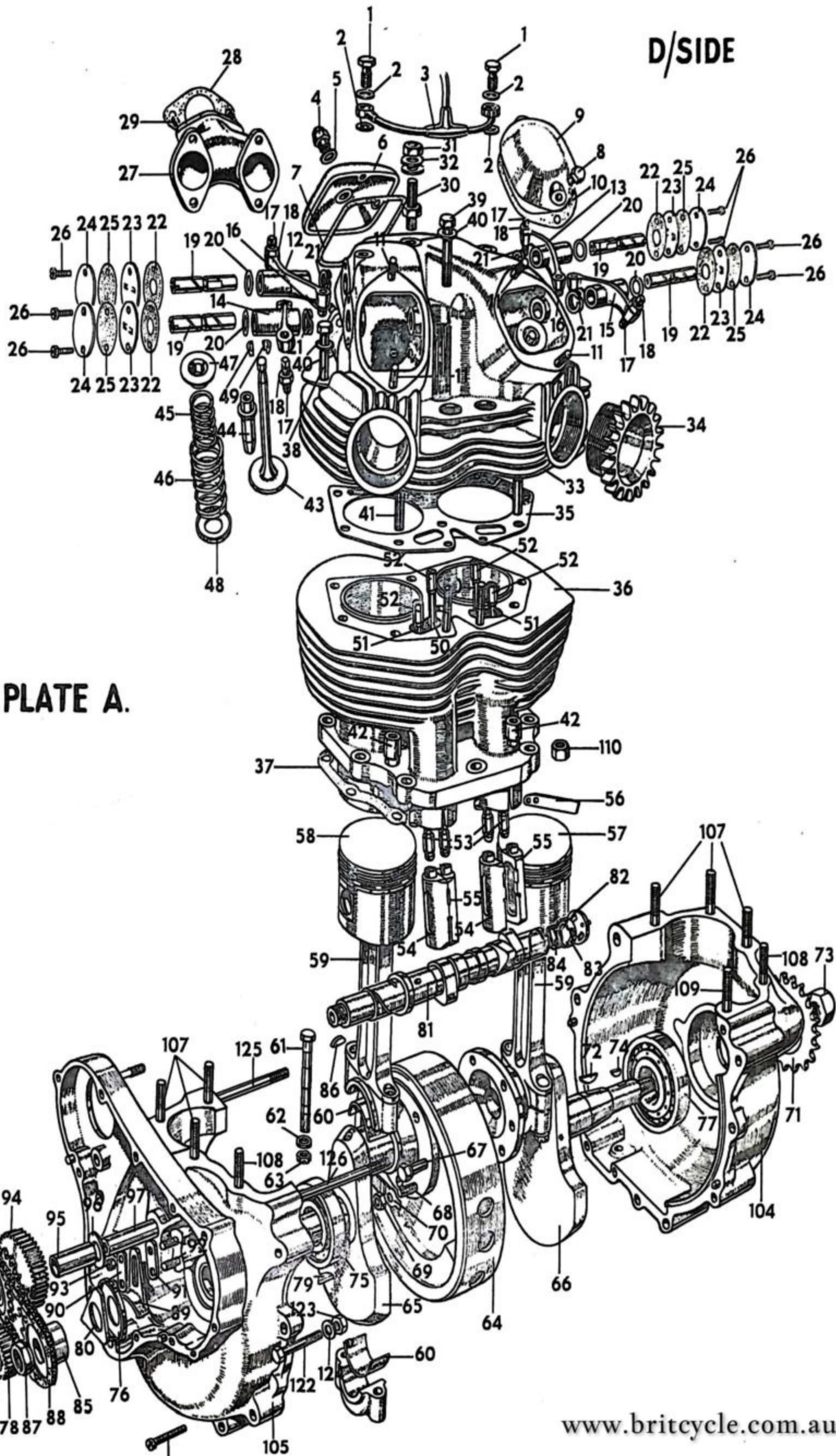


PLATE A.

INDEX

	Page		Page
Air cable	21	Gearbox fixing bolts	24
Air cleaners	40	Gearbox front chain adjuster	24
Air lever complete and fittings	20	Gearbox pinions, shafts and bearings	24
Amal carburettor	13	Gearbox shell	22
Battery box and fittings	34	Handlebar and fittings	19
Brake shoes and linings	29	Headlamp and fittings	35
Cable clips	37	Kickstarter parts	25
Centre stand and fittings	33	Miscellaneous section	40
Chains front and rear	31	Number plates	34
Chromium mudguards	40	Oil pipes and fittings	22
Clutch assembly and fittings	25	Oil tank and fittings	22
Clutch cable	21	Optional equipment and service tools	38
Coil and fittings	15	Overhead rockers and fittings	10
Crankcase and engine plate bolts, nuts and washers	8	Paint	37
Crankcase and fittings	5	Parts common to front and rear hubs	29
Crankcase pressure and breather fittings... ..	7	Petrol tank and fittings	21
Crash bars	39	Pillion footrests	30
Cylinder head barrel studs and nuts	12	Piston assemblies and fittings	13
Distributor and fittings	16	Positive footchange	25
Distributor drive parts	16	Push rods and fittings	9
Drysump oil pump and drive parts	11	Rear chain adjuster	31
Dual seat and fittings	35	Rear chainguard and fittings	30
Electric horn and fittings	35	Rear brake pedal and fittings	30
Engine plates	31	Rear mudguard and fittings	34
Engine sprocket	31	Rear suspension and fittings	33
Exhaust lifter and fittings	9	Rear wheel and fittings	27
Exhaust lifter cable	21	Revolution counter and fittings	39
Exhaust lifter lever and fittings	20	Rocker box and fittings	10
Exhaust pipe and fittings	16	Service tools (all models)	41
Flywheels, crankshaft assemblies and fittings	7	Side prop stand and fittings	33
Footrests and fittings	30	Silencer and fittings	17
Folding kickstart crank	40	Speedometer and fittings	35
Frames	31	Stator and rectifier	15
Front brake and clutch lever assemblies	20	Stop lamp and fittings	36
Front brake cable	20	Swinging arm and fittings	33
Front chaincase and fittings	29	Tappets and fittings	9
Front fork assembly and fittings	17	Throttle cable	21
Front forks with sidecar trail	19	Tools	41
Front mudguard, stays and fittings	33	Tool kits	36
Front wheel and fittings	27	Tool tray and fittings	34
Full enclosure rear chaincase	39	Transfers	37
Gasket sets	37	Twist grip complete and fittings	20
		Wheel rims and spokes	29

INSTRUCTIONS FOR ORDERING SPARE PARTS

This Spare Parts List deals with replaceable parts for Models 88, 99, ES2 and 50 of 1959 manufacture.

It is most essential that the Engine and Frame Number of the machine is stated. The Engine Number is to be found on the transmission side of the Crankcase directly below cylinder base. The frame number is stamped on the nearside of the frame gusset plate on all models. It is always advisable to order parts on a separate sheet, and not to include on the same sheet other matter of a different nature; this facilitates prompt despatch.

It is found in a number of instances that money orders and postal orders are sent in parcels containing patterns ; this is inadvisable. We strongly recommend parts as patterns being despatched separately, and a covering letter sent containing the remittance for replacement parts.

RETURNING MACHINES FOR OVERHAULING

When returning machines or parts for repair or overhaul, these should be sent carriage paid, and with the sender's name and address in full securely attached. It is also advisable to state on the tally that a letter has been sent respecting the parts, and giving the date. All easily detached fittings should be removed, such as Lamps, Horns, Tool Bags, Speedometers, etc. ; these are liable to be lost or damaged in transit, and the Company cannot accept any responsibility for them.

ESTIMATES FOR REPAIRING MACHINES

We are always prepared to give approximate estimates for the cost of repairs ; it is quite impossible to give a firm quotation. Additional parts may be found necessary during the process of repair, unforeseen when preparing an estimate. Should our estimate for repair not be accepted, a charge may be made in accordance with work entailed in dismantling and re-assembling. When we give an estimate for cost of repairs, and this is curtailed by the owner, we cannot accept any responsibility for the performance of the machine ; it is always preferable to accept our estimate in full.

PURCHASE OF SPARE PARTS

Norton Dealers throughout the British Isles generally carry a very comprehensive stock of Norton spare parts and it is recommended that owners should obtain any spare parts required through them.

The name of the nearest Norton dealer will be supplied on request and if any difficulty whatever is experienced in obtaining spare parts through a Norton Dealer, if we are advised, we shall be very pleased to investigate the matter.

It is our desire that replacement parts are available to Norton owners with the least possible delay.

Please note we reserve the right to alter the prices in the list at any time without notice.

PART No.	SUPERSEDED No.	PLATE No.	DESCRIPTION	QTY.	MODEL	PRICE EACH
22041	—	—	Crankcase with timing cover ...	1	ES2, 50	£ 13 10 3
21013	—	—	Crankcase with timing cover ...	1	88, 99	18 18 4
22043	—	B88	Crankcase driving side...	1	ES2, 50	4 1 1
21010	—	A104	Crankcase driving side...	1	88, 99	6 15 2
50254	—	B89	Crankcase timing side with bushes ...	1	ES2, 50	7 1 10
21009	—	A105	Crankcase timing side with bushes ...	1	88, 99	9 12 6

In the event of a replacement half crankcase being required, it will be necessary to return the sound half of the crankcase also the timing cover to the works for matching.

22008	—	B92	Crankcase timing cover with bushes ...	1	ES2, 50	2 14 1
20950	—	A106	Crankcase timing cover ...	1	88, 99	2 10 7
T2236	—	—	Crankcase timing cover paper washer	1	88, 99	7
9228	—	—	Crankcase timing cover badge ...	1	88, 99	4 0
19841	—	B90]	Crankcase cylinder barrel stud ...	4	ES2	1 9
19840	—	B90	Crankcase cylinder barrel stud ...	4	50	1 9
T2018	D12/2(L)	A107	Crankcase cylinder base stud $\frac{3}{8}$ " dia. ...	6	88, 99	1 4
T2209	D12/2(S)	A108	Crankcase cylinder base stud (stepped) $\frac{3}{8}$ " dia. ...	2	88, 99	1 2
18943	—	A109	Crankcase cylinder base stud $\frac{3}{8}$ " dia. (front centre) ...	1	88, 99	1 4
T2016	D12/3(L)	A110	Crankcase cylinder base stud nut $\frac{3}{8}$ " dia. ...	7	88, 99	7
T2210	D12/3(S)	—	Crankcase cylinder base stud nut $\frac{3}{8}$ " dia. ...	2	88, 99	7
T2211	—	—	Crankcase cylinder base stud washer	2	88, 99	3
10940	—	—	Timing cover screws (top short) ...	3	ES2, 50	7
10940	—	A111	Timing cover screws (long) ...	6	88, 99	7
11001	—	—	Timing cover screws (bottom long) ...	3	ES2, 50	7
13996	—	—	Timing cover screws (hex. head) ...	2	ES2, 50	6
E6980	—	A112	Timing cover screws (short) ...	6	88, 99	6
18195	A2/9	B93	Magneto chain cover ...	1	ES2, 50	12 2
E4506	C2/687	B94	Magneto chain cover screw (short) ...	2	ES2, 50	6
13868	C2/688	B95	Magneto chain cover screw (long) ...	1	ES2, 50	11
11775	—	B96	Fibre washer for timing cover screws...	8	ES2, 50	2
11775	—	—	Fibre washer for timing cover screws...	12	88, 99	2
11001	—	—	Crankcase panel screw ...	1	ES2, 50	7
11775	—	—	Washer for screw ...	1	ES2, 50	2
10940	—	A113	Screw timing to driving side crankcase sump ...	2	88, 99	7
11775	—	—	Washer for screw ...	2	88, 99	2
13860	C2/18	B72	Crankcase cam bush (inlet or exhaust)	2	ES2, 50	6 0
13788	C2/19	B73	Timing cover cam bush (inlet) ...	1	ES2, 50	6 0
10657	A2/20	B74	Timing cover cam bush (exhaust) ...	1	ES2, 50	6 0
T2036	D12/18TS	—	Camshaft bush timing side ...	1	88, 99	6 8
T2037	D12/18DS	—	Camshaft bush driving side ...	1	88, 99	6 8
13792	C2/12	B97	Timing cover oil feed jet ...	1	ES2, 50	3 4
13791	C2/13	B98	Timing cover oil feed jet bush ...	1	ES2, 50	3 4
10617	A2/14	B99	Timing cover oil feed jet spring ...	1	ES2, 50	3 4
T2124	D12/913	A114	Timing cover mainshaft oilseal ...	1	88, 99	1 4
17841	D12/914	A115	Timing cover mainshaft oilseal circlip	1	88, 99	7
E4591	—	—	Timing cover oilway plug ...	1	88, 99	7
13765	—	—	Crankcase drain plug ...	1	ES2, 50	1 4
13833	—	—	Crankcase drain plug washer ...	1	ES2, 50	3
16945	H12/16945	—	Crankcase oil sump filter body ...	1	88, 99	10 2
16949	H12/16949	—	Filter body copper and asbestos washer	1	88, 99	7
16946	H12/16946	—	Filter body gauze ...	1	88, 99	3 4
16947	H12/16947	—	Filter body gauze retaining plate ...	1	88, 99	7
16948	H12/16948	—	Filter body gauze retaining plate circlip ...	1	88, 99	7
15399	—	—	Name plate for drive side of crankcase	1	88, 99	6
17842	—	—	Screws for name plate ...	2	88, 99	1

PART No.	SUPERSEDED No.	PLATE No.	DESCRIPTION	QTY.	MODEL	PRICE EACH
CRANKCASE PRESSURE AND BREATHER FITTINGS						
20280	—	A116	Filter assembly oil pressure release ...	1	88, 99	£ 2 11
20287	—	A117	Filter Plug	1	88, 99	2 11
20288	—	A118	Filter plug washer	1	88, 99	3
20285	—	A119	Plunger for oil pressure release ...	1	88, 99	1 9
20286	—	A120	Plunger spring	1	88, 99	3
20284	—	A121	Plunger spring plug	1	88, 99	2 6
17706	A2/15	B100	Timing cover pressure release ball, $\frac{3}{8}$ "	1	ES2, 50	3
10260	A2/16	B101	Timing cover pressure release ball spring	1	ES2, 50	2
13789	A2/17	B102	Timing cover pressure release plug ...	1	ES2, 50	10
20584	—	—	Retaining cup for t/cover oil valve ...	1	ES2, 50	9
10260	A2/16	—	Spring for t/cover oil valve	1	ES2, 50	3
18548	—	—	$\frac{7}{32}$ " dia. ball for t/cover oil valve ...	1	ES2, 50	3
19245	—	B103	Crankcase breather	1	ES2j 50	2 8
7618	A2/708	B104	Crankcase breather pipe with nipple	1	ES2, 50	1 9
10992	A2/718	B105	Crankcase breather pipe, nut	1	ES2, 50	8
19382A	D12/708	—	Crankcase breather pipe with flange...	1	88, 99	2 8
T2213	D12/923	—	Crankcase breather pipe securing bolt	1	88, 99	6
19383	—	—	Crankcase breather rubber pipe	1	88, 99	1 5
16550A	A2/10	—	Timing cover oil drain pipe	1	ES2, 50	1 9
10995	—	—	Timing cover oil drain pipe nut	1	ES2, 50	5
10263	A2/11	—	Timing cover oil drain pipe union ...	1	ES2j 50	2 0

FLYWHEELS, CRANKSHAFT ASSEMBLIES AND FITTINGS

P4/24	—	—	Flywheels complete with shafts, crankpin bearing and connecting rod ...	1	ES2	15 1 4
P13/24	—	—	Flywheels complete with shaft, crankpin bearing and connecting rod ...	1	50	15 1 4
N12-2/24	—	—	Flywheel and crankshaft assembly with con rods	1	88	28 10 7
N14/24	—	—	Flywheel and crankshaft assembly with con rods	1	99	28 12 4
20781	—	B62	Flywheel driving side with shaft ...	1	ES2	4 11 11
20780	—	B62	Flywheel driving side with shaft ...	1	50	4 11 11
50006	C2/25	B63	Flywheel timing side with shaft ...	1	ES2	4 11 11
50206	L13/25	B63	Flywheel timing side with shaft ...	1	50	4 11 11
20777	—	—	Flywheel driving side shaft	1	ES2, 50	1 17 2
13779	C2/705	—	Flywheel timing side shaft	1	ES2, 50	1 13 9
E3684	—	—	Flywheel timing and driving shaft key (Note : We recommend flywheels to be returned to the works for the fitting of new shafts).	2	ES2, 50	3
18246	D12/924	A64	Flywheel	1	88	4 14 7
18744	L14/924	A64	Flywheel	1	99	4 14 7
18247	D12/705	A65	Crankshaft timing side... ..	1	88	7 1 10
18746	L14/705	A65	Crankshaft timing side... ..	1	99	7 1 10
20665	—	A66	Crankshaft driving side	1	88	7 1 10
20680	—	A66	Crankshaft driving side	1	99	7 1 10
E4591	—	—	Plug for timing side crenkshaft ...	1	88, 99	10
T2033A	—	A67	Flywheel and crankshaft bolt	2	88, 99	2 8
T2033	D12/925	—	Flywheel and crankshaft bolt	2	88, 99	2 8
T2086	D12/926	A68	Flywheel and crankshaft stud	2	88, 99	2 0
T2031	D12/927	A69	Flywheel and crankshaft bolt or stud nut	8	88, 99	2 4
T2105	D12/928	—	Dowel for flywheel	1	88, 99	1 4
T2032	D12/929	A70	Retaining plate for dowel	1	88, 99	11
E2717A	—	—	Flywheel mainshaft packing washer, .005"	A.R.	ES2, 50	5
E2717	—	—	Flywheel mainshaft packing washer, .010"	A.R.	ES2, 50	5
T2196A	—	—	Mainshaft packing washer	A.R.	88, 99	5
T2196B	—	—	Mainshaft packing washer	A.R.	88, 99	5

PART No.	SUPERSEDED No.	PLATE No.	DESCRIPTION	QTY.	MODEL	PRICE EACH
FLYWHEELS, CRANKSHAFT ASSEMBLIES AND FITTINGS—cont.						
			Main bearings and fittings			£ s. d.
17704	A2/30	B64	Mainshaft ball bearing, driving side ...	1	ES2, 50	19 6
17702	A2/32	B65	Mainshaft roller bearing ...	2	ES2, 50	1 13 0
12794	A2/33	B66	Mainshaft bearing distance piece ...	1	ES2, 50	2 8
22680	—	—	Mainshaft bearing crankcase washer, driving side ...	1	ES2, 50	7
17822	D12/30	A75	Mainshaft bearing, timing side ...	1	88, 99	1 8 9
T2008	D12/930	A76	Mainshaft bearing timing side, sealing washer ...	1	88, 99	1 4
17824	D12/32	A77	Mainshaft roller bearing, driving side...	1	88, 99	2 2 9
T2187	D12/931	—	Driving side shaft oil seal ...	1	88, 99	5 1
22474	—	—	Main bearing oil seal, driving side ...	1	ES2, 50	3 8
			Connecting rod big end bearings and bush			
50030	A3/158	B58	Connecting rod with small end bush	1	ES2	2 19 5
50208	L13/158	B58	Connecting rod with small end bush	1	50	2 19
50023	D12/158	A59	Connecting rod with small end bush, big end bearing and bolts ...	2	88, 99	3 14 3
E4102	A2/159	B59	Small end bush ...	1	ES2, 50	6 8
T2160	D12/159	—	Small end bush ...	2	88, 99	4 8
22095	A2/27	B60	Crank pin bearing with nuts ...	1	ES2	3 15 7
22096	—	B60	Crank pin bearing with nuts ...	1	50	3 15 7
E6276B	A2/28	B61	Crank pin bearing nut ...	2	ES2	4 7
18846	—	B61	Crank pin bearing nut ...	2	50	4 7
E3821	A2/29	—	Crank pin nut locking screw ...	2	ES2, 50	3
17828	D12/27	A60	Big end bearing (2 halves) ...	2	88, 99	11 11
T2150	D12/989	A61	Big end cap bolt ...	4	88, 99	3 1
T2152	D12/990	A62	Big end cap bolt washer ...	4	88, 99	3
17827	—	A63	Big end cap bolt nut ...	4	88, 99	1 4
(Note : Crankpin spares cannot be supplied separately. Each outer race has its individual pin).						

CRANKCASE AND ENGINE PLATE BOLTS, NUTS AND WASHERS

T2012	—	—	Crankcase bottom stud ...	1	ES2, 50	1 9
E3224A	—	—	Nut for stud ...	2	ES2, 50	5
E5376	—	—	Washer for stud ...	2	ES2, 50	3
13870	—	A122	Crankcase bolt (short) ...	3	ES2, 50	10
E3223	—	A123	Nut for bolt ...	3	ES2, 50	5
E5456	—	A124	Washer for bolt ...	5	ES2, 50	3
20056	—	B91	Crankcase top stud ...	2	ES2, 50	1 2
E3223	—	—	Nut for stud ...	2	ES2, 50	5
13870	—	—	Crankcase bolt (short) ...	1	88, 99	10
E3223	—	—	Nut for bolt ...	1	88, 99	3
E5456	—	—	Washer for bolt ...	1	88, 99	3
T2013	—	A125	Crankcase top stud, rear ...	1	88, 99	1 9
E3224A	—	—	Nut for stud ...	1	88, 99	5
E5376	—	—	Washer for stud ...	1	88, 99	3
19077	—	A126	Crankcase top stud (front) ...	1	88, 99	1 5
E3229	—	—	Nut for stud ...	1	88, 99	5
T2221	—	—	Washer for stud ...	1	88, 99	3
E3214	—	—	Crankcase stud (top) ...	1	88, 99	1 9
E3231	—	—	Nut for stud ...	2	88, 99	5
13040	—	—	Engine plate to frame front stud ...	1	ES2, 50	1 9
11809	—	—	Washer for stud ...	2	ES2, 50	3
E3227	—	—	Nut for stud ...	2	ES2, 50	6
E3166	—	—	Engine plate to frame front stud ...	2	ES2, 50	1 9
E5377	—	—	Washer for stud ...	4	ES2, 50	3
E3238	—	—	Nut for stud ...	4	ES2, 50	6
19666	—	—	Crankcase to engine plate stud (bottom) ...	1	ES2, 50	1 9
E5376	—	—	Washer for stud ...	2	ES2, 50	3
E3224	—	—	Nut for stud ...	2	ES2, 50	5
E3214	—	—	Crankcase bottom frame tube stud ...	1	ES2, 50	1 9

PART No.	SUPERSEDED No.	PLATE No.	DESCRIPTION	QTY.	MODEL	PRICE EACH
CRANKCASE AND ENGINE PLATE BOLTS, NUTS AND WASHERS—cont.						£ s. d.
E3223	—	—	Nut for stud	2	ES2, 50	5
22024	—	—	Crankcase bottom to rear engine plate stud	1	ES2, 50	9
E5456	—	—	Washer for stud	2	ES2, 50	3
E3223	—	—	Nut for stud	2	ES2, 50	5
E4256	—	—	Crankcase to engine plate bolt ...	1	ES2, 50	1 9
E5377	—	—	Washer for bolt	2	ES2, 50	3
13459	—	—	Nut for bolt	1	ES2, 50	5
16317	—	—	Front and rear engine plate to frame bolt	4	ES2, 50	11
E5376	—	—	Washer for bolt	8	ES2, 50	3
E3224	—	—	Nut for bolt	4	ES2, 50	5
T2012	—	—	Crankcase to engine plate stud, top or bottom	2	88, 99	1 9
E3224	—	—	Nut for stud	2	88, 99	3
E5376	—	—	Washer for stud	4	88, 99	5
18649	—	—	Bottom frame fixing to engine plate bolt	2	All	1 9
E5456	—	—	Washer for bolt	4	All	3
T2017	—	—	Nut for bolt	2	All	5
E4261	—	—	Crankcase to engine plate bolt (bottom)	1	88, 99	11
E3223	—	—	Nut for bolt	1	88, 99	5
T2012	—	—	Crankcase to engine plate stud (middle)	1	88, 99	1 9
E5376	—	—	Washer for stud	2	88, 99	3
E3224	—	—	Nut for stud	2	88, 99	5
T2012	—	—	Crankcase to engine plate stud (top) ...	1	88, 99	1 9
E5376	—	—	Washer for stud	2	88, 99	3
E3224A	—	—	Nut for stud	2	88, 99	5
16317	—	—	Front and rear engine plate to frame bolt	6	88, 99	11
E5376	—	—	Washer for bolt	12	88, 99	3
E3224	—	—	Nut for bolt	6	88, 99	5

TAPPETS AND FITTINGS

50007	C3/75	B50	Tappet complete	2	ES2, 50	16 10
18784A	—	A54	Tappet, right-hand	2	88, 99	11 6
18784B	—	A55	Tappet, left-hand	2	88, 99	11 6
T2142	D12/943	A56	Tappet location plate	2	88, 99	6 8
T2143	D12/944	—	Tappet location plate screw	4	88, 99	3
13790	C3/693	B51	Tappet ball end	2	ES2, 50	4 8
19800	—	B52	Tappet guide	2	ES2, 50	16 10
13830	C2/689	—	Tappet guide location peg	2	ES2, 50	3

EXHAUST LIFTER AND FITTINGS

18175	A2/67	B22	Exhaust valve lifter lever	1	ES2, 50	6 8
13862	C3/64	B23	Exhaust valve lifter shaft	1	ES2, 50	6 0
10959	A3/66	B24	Exhaust valve lifter retaining screw ...	1	ES2, 50	6
17707	—	—	Washer for screw	1	ES2, 50	2
E3798	A2/68	B25	Exhaust valve lever bolt	1	ES2, 50	7
E3881	A3/69	—	Exhaust valve lever return spring ...	1	ES2, 50	1 9

PUSH RODS AND FITTINGS

M4/82	—	B39	Push rod complete	2	ES2	12 10
M13/82	—	B39	Push rod complete	2	50	12 10
M12/82 In.	—	A50	Push rod complete, inlet	2	88	12 2
M14/82 In.	—	A50	Push rod complete, inlet	2	99	12 2
M12/82 Ex.	—	A51	Push rod complete, exhaust	2	88	12 2
M14/82 Ex.	—	A51	Push rod complete, exhaust	2	99	12 2
18725	—	B40	Push rod tube only	2	ES2	4 8
18814	—	B40	Push rod tube only	2	50	4 8

PART No.	SUPERSEDED No.	PLATE No.	DESCRIPTION	QTY.	MODEL	PRICE EACH
PUSH RODS AND FITTINGS—cont.						
20130	—	—	Push rod tube only, inlet ...	2	88	£ 4 8
20132	—	—	Push rod tube only, inlet ...	2	99	4 8
20131	—	—	Push rod tube only, exhaust ...	2	88	4 8
20133	—	—	Push rod tube only, exhaust ...	2	99	4 8
13800	C3/86	B41	Push rod top ...	2	ES2, 50	2 8
T2064	D12/86	A52	Push rod top ...	4	88, 99	4 0
13798	C3/83	B42	Push rod bottom ...	2	ES2, 50	4 0
T2182	D12/83	A53	Push rod bottom ...	4	88, 99	3 4
13801	C3/87	B43	Push rod adjuster ...	2	ES2, 50	4 0
10415	—	B44	Push rod adjuster nut ...	2	ES2, 50	7
19838	—	B45	Push rod cover ...	2	ES2	9 6
19837	—	B45	Push rod cover ...	2	50	9 6
20049	—	B46	Push rod cover sealing ring (top) ...	2	ES2, 50	7
20048	—	B47	Push rod cover sealing ring (bottom) ...	2	ES2, 50	7
20047	—	B48	Push rod cover washer (plain) ...	2	ES2, 50	2
20046	—	—	Push rod cover washer (plain) ...	A.R.	ES2, 50	7
20045	—	B49	Push rod cover washer (dished) ...	2	ES2, 50	3

ROCKER BOX AND FITTINGS

19772	—	B3	Rocker box with cover ...	1	ES2, 50	4 1 1
19805	—	B4	Rocker box inspection cover ...	1	ES2, 50	4 0
19824	—	B5	Rocker box cover washer ...	1	ES2, 50	7
19856	—	B6A	Rocker box cover studs ...	2	ES2, 50	11
21678	—	B7	Nut for stud ...	2	ES2, 50	1 5
17698	—	—	Fan disc washer for stud ...	2	ES2, 50	3
20044	—	B8	Rocker box sealing washer ...	1	ES2, 50	10
19843	—	—	Rocker box bolt (long) ...	5	ES2, 50	2 0
16555	—	B9	Rocker box bolt (short) ...	2	ES2, 50	10
T2211	—	—	Washer for bolt ...	5	ES2, 50	2
16556	—	B10	Washer for bolt ...	2	ES2, 50	5
21973	—	B11	Head steady stay bolt ...	2	ES2, 50	1 6
11796	—	B12	Washer for bolt ...	2	ES2, 50	3
E5456	—	—	Head steady plate packing washer ...	2	ES2, 50	3
18094	D12/93R	A6	Rocker box cap (rear) ...	1	88, 99	10 2
T2084	D12/95R	A7	Washer for cap ...	1	88, 99	7
T2162	D12/955	A4	Acorn Nut for cap ...	1	88, 99	10
T2082	D12/956	A5	Washer for nut ...	1	88, 99	3
18033	K12/954	—	Stud for rear cap ...	1	88, 99	10
13937	—	—	Dowel for rear cap ...	1	88, 99	7
18093	D12/93F	A9	Rocker box front cap ...	2	88, 99	10 2
T2088	D12/95F	A10	Joint washer for cap ...	2	88, 99	7
T2252	K12/952	A11	Stud for cap ...	4	88, 99	7
T2085	D12/953	A8	Nut for stud ...	4	88, 99	7

OVERHEAD ROCKERS AND FITTINGS

50003	C3/99	—	Rocker inlet with bushes ...	1	ES2, 50	1 13 9
50004	C3/100	B13	Rocker exhaust with bushes ...	1	ES2, 50	1 13 9
13804	C3/96	B16	Bush for rocker... ...	4	ES2, 50	4 8
18249	D12/99RH	A12	Rocker inlet, right-hand ...	1	88, 99	1 3 8
18250	D12/99LH	A13	Rocker inlet, left-hand... ...	1	88, 99	1 3 8
18251	D12/100RH	A14	Rocker exhaust, right-hand ...	1	88, 99	1 3 8
18252	D12/100LH	A15	Rocker exhaust, left-hand ...	1	88, 99	1 3 8
19849	—	B6	Rocker shaft ...	2	ES2, 50	13 6
T2237	D12/97	A19	Rocker shaft ...	4	88, 99	13 6
13806	—	B17	Nut for shaft ...	2	ES2, 50	7
13820	—	B18	Washer for nut ...	2	ES2, 50	3
13818	—	B19	Spring washer for shaft ...	2	ES2, 50	5
13794	—	B20	Washers, large, for shaft ...	2	ES2, 50	7
13819	C3/98	B21	Shims for shaft ...	2	ES2, 50	3
18102	D12/951	A20	Thrust washer for shaft ...	4	88, 99	7
18103	D12/950	A21	Spring washer for shaft ...	4	88, 99	5
T2083	D12/947	A22	Shim for shaft ...	4	88, 99	3
T2238	D12/945	A23	Locking plate for shaft ...	4	88, 99	1 4

PART No.	SUPERSEDED No.	PLATE No.	DESCRIPTION	QTY.	MODEL	PRICE EACH
OVERHEAD ROCKERS AND FITTINGS—cont.						£ s. d.
T2239	D12/946	A24	Retaining plate for shaft ...	4	88, 99	1 4
T2240	D12/948	A25	Joint washer for plate ...	4	88, 99	3
T2256	K12/949	A26	Bolt for shaft ...	8	88, 99	10
13821	C3/104	B14	Rocker ball end... ..	2	ES2, 50	3 8
T2063	D12/104	A16	Rocker ball end... ..	4	88, 99	3 8
10394	C3/105	B15	Rocker pad	2	ES2, 50	4 8
T2074	D12/803	A17	Rocker adjuster	4	88, 99	2 4
T232	D12/804	A18	Nut for adjuster	4	88, 99	7
Timing gear fittings						
13858	C2/58	B67	Half time pinion	1	ES2, 50	13 6
T2035	D12/58	A78	Half time pinion	1	88, 99	13 6
E3683	—	B68-A79	Key for pinion	1	All	3
T2007	D12/936	A80	Backing plate for pinion ...	1	88, 99	4 0
M3/60	—	—	Exhaust cam wheel, complete	1	ES2	3 3 6
M13/60	—	—	Exhaust cam wheel, complete	1	50	3 3 6
M3/61	—	—	Inlet cam wheel, complete ...	1	ES2, 50	3 7 7
19702	—	B69	Exhaust camshaft	1	ES2	1 11 8
20053	—	B69	Exhaust camshaft	1	50	1 11 8
19701	—	B70	Inlet camshaft	1	ES2, 50	1 15 8
18172	—	B71	Cam gear wheel, inlet or exhaust	2	ES2, 50	1 11 8
E3683	—	—	Cam gear wheel key	2	ES2, 50	3
11774A	—	—	Cam gear spindle washer, .003"	A.R.	ES2, 50	2
11774B	—	—	Cam gear spindle washer, .005"	A.R.	ES2, 50	2
11774C	—	—	Cam gear spindle washer, .007"	A.R.	ES2, 50	2
11774D	—	—	Cam gear spindle washer, .010"	A.R.	ES2, 50	2
21225	D12/790 } 17413 }	A81	Camshaft	1	88, 99	5 8 1
T2078	D12/933	A82	Camshaft breather stationary plate	1	88, 99	2 8
T2075	D12/934	A83	Camshaft breather rotary plate	1	88, 99	2 8
T2108	D12/935	A84	Camshaft breather spring ...	1	88, 99	3
20829	—	A85	Camshaft sprocket assembly ...	1	88, 99	1 5 4
E3683	—	A86	Key for sprocket	1	88, 99	3
T2046	D12/942	A87	Nut for sprocket	1	88, 99	1 9
17806	D12/961	A88	Camshaft driving chain, 38 link, endless	1	88, 99	9 0
T2217	D12/968	A89	Chain tensioner slipper	1	88, 99	3 4
T2218	D12/971	A90	Plate for chain tensioner (thick)	1	88, 99	7
T2218A	—	A91	Plate for chain tensioner (thin)	1	88, 99	6
T247	D12/969	A92	Chain tensioner stud	2	88, 99	7
E3231	—	A93	Chain tensioner stud nut	2	88, 99	5
18202	—	—	$\frac{3}{16}$ " Fan disc washer for stud ...	2	88, 99	3
50008	D12/937	A94	Intermediate gear with sprockets	1	88, 99	3 14 3
T2026	D12/938	A95	Intermediate gear bush	1	88, 99	6 0
T2021	D12/940	A97	Intermediate gear spindle	1	88, 99	5 4
T2080	D12/939	A96	Intermediate gear washer	1	88, 99	3
17823	D12/941	—	Circlip for spindle	1	88, 99	3
Engine Steady Plate and Fittings						
21671	—	—	Head steady plate assembly ...	1	ES2, 50	3 9
18637	H12-2/932	—	Head steady plate assembly ...	1	88, 99	10 2
18032	—	A30	Head steady plate stud (in head)	1	88, 99	2 0
E3224	—	A31	Nut for stud	1	88, 99	5
E5376	—	A32	Washer for stud	1	88, 99	3
E3798	—	—	Steady plate bolt (to frame) ...	2	All	5
11796	—	—	Washer for bolt	2	All	3
18202	—	—	Washer for bolt	2	All	3
E3223	—	—	Nut for bolt	2	All	5
DRYSUMP OIL PUMP AND DRIVE PARTS						
15521	A2/128	B80	Oil pump assembly	1	ES2, 50	4 1 1
15522	D12/128	A98	Oil pump assembly	1	88, 99	4 1 1
15511A	A2/129	B81-A99	Oil pump spindle nut	1	All	6
10101A	A2/130	B82	Oil pump worm gear wheel ...	1	ES2, 50	8 10
T2077	D12/130	A100	Oil pump worm gear wheel ...	1	88, 99	8 10
17698	A2/131	—	Key for gear wheel	1	All	3
15515	A2/132	B83-A101	Oil pump feed bush	1	All	10

PART No.	SUPERSEDED No.	PLATE No.	DESCRIPTION	QTY.	MODEL	PRICE EACH
DRYSUMP OIL PUMP AND DRIVE PARTS—cont.						£ s. d.
21146	—	—	Packing shim for feed bush ...	1	All	2
E6283	A2/133	B84	Sealing washer for feed bush ...	1	ES2, 50	3
T272	D12/133	A102	Sealing washer for feed bush ...	1	88, 99	5
13778	C2/134	B85	Engine shaft pump driving worm ...	1	ES2, 50	10 2
T2076	D12/134	A103	Engine shaft pump driving worm ...	1	88, 99	10 2
E4440	—	B86	Oil pump crankcase stud ...	2	All	11
E3231	—	B87	Nut for stud ...	2	All	5
E4590	—	—	Grub screw for oil stop ...	1	All	7
Valves, Guides, Springs and Fittings						
E6472	A3/142	B32	Valve (inlet or exhaust) ...	2	ES2	16 2
18737	L13/142	B32	Valve (inlet or exhaust) ...	2	50	16 2
T2010	D12/142	—	Valve (inlet) ...	2	88, 99	16 2
T2204	D12/143	A43	Valve (exhaust) ...	2	88, 99	16 2
20050	—	B33	Valve guide (inlet or exhaust) ...	2	ES2, 50	4 8
T2011	D12/140	A44	Valve guide (inlet or exhaust) ...	4	88, 99	4 8
20594	—	—	Valve guide circlip ...	2	ES2, 50	3
21613	—	B34	Valve spring (inner) ...	2	ES2, 50	1 4
19302	K12/145	A45	Valve spring (inner) ...	4	88, 99	10
21612	—	B35	Valve spring (outer) ...	2	ES2, 50	2 8
19303	K12/146	A46	Valve spring (outer) ...	4	88, 99	1 4
16339	—	—	Heat resisting washer ...	4	88, 99	11
20178	—	B36	Valve spring top cups ...	2	ES2, 50	6 0
T186	D12/147	A47	Valve spring top cups ...	4	88, 99	4 0
20179	—	B37	Valve spring bottom collars ...	2	ES2, 50	1 6
T2073	D12/148	A48	Valve spring bottom collars ...	4	88, 99	1 4
E1930	A2/149	B38	Valve cotter (2 halves one cotter) ...	2	ES2, 50	1 4
T187	D12/149	A49	Valve cotter (2 halves one cotter) ...	4	88, 99	1 4

CYLINDER HEAD BARREL STUDS AND NUTS

19703	—	B28]	Cylinder barrel ...	1	ES2	5 4 8
19832	—	B28]	Cylinder barrel ...	1	50	5 1 5
20712	—	A36	Cylinder barrel ...	1	88	10 2 8
20774	—	A36	Cylinder barrel ...	1	99	10 6 0
P4/136	—	B26	Cylinder head with valve guides ...	1	ES2	11 16 6
P13/136	—	B26	Cylinder head with valve guides ...	1	50	11 13 1
50166	K12/136	A33	Cylinder head with valve guides ...	1	88, 99	18 18 4
19705	—	B27	Cylinder head gasket ...	1	ES2	2 4
18799	L13/137	B27	Cylinder head gasket ...	1	50	2 4
T2141	D12/137	A35	Cylinder head gasket ...	1	88, 99	6 8
13824	C3/157	B29	Cylinder base washer ...	1	ES2, 50	3
T2093	D12/157	A37	Cylinder base washer ...	1	88, 99	6
C126	D3T/156	B30	Cylinder head sleeve nut ...	4	ES2, 50	3 4
C170	—	—	Cylinder head sleeve nut washer ...	4	ES2, 50	5
T2096	D12/972	A38	Cylinder head bolts (long) ...	4	88, 99	1 4
T2097	D12/973	A39	Cylinder head bolts (short) ...	1	88, 99	1 2
E5376	—	A40	Cylinder head bolt washers ...	4	88, 99	3
T2161	D12/975	—	Cylinder head fixing studs ...	2	88, 99	1 4
T2017	D12/976	—	Cylinder head to barrel stud nut, $\frac{5}{16}$ " ...	2	88, 99	7
18756	—	A41	Cylinder head to barrel stud ...	3	88, 99	7
T2034	D12/978	A42	Cylinder head stud nut (front) ...	2	88, 99	1 9
E3224	D12/979	—	Cylinder head stud nut (rear) ...	1	88, 99	5
20344	—	A29	Carburettor to manifold stud ...	2	88, 99	7
E3231	—	—	Nut for stud ...	2	All	5
11796	—	—	Washer for stud ...	2	All	3
18242	D12/933	A27	Cylinder head and carburettor manifold ...	1	88, 99	13 6
18380	K12/985	—	Stud securing manifold to cylinder head ...	4	88, 99	7
T2220	D12/986	—	Nut for stud ...	4	88, 99	3
T2221	D12/987	—	Washer for stud ...	4	88, 99	3
T2241	D12/984	—	Distance piece for manifold ...	2	88, 99	3 4
T247	D12/969	B31	Stud carburettor to cylinder head ...	2	ES2, 50	7

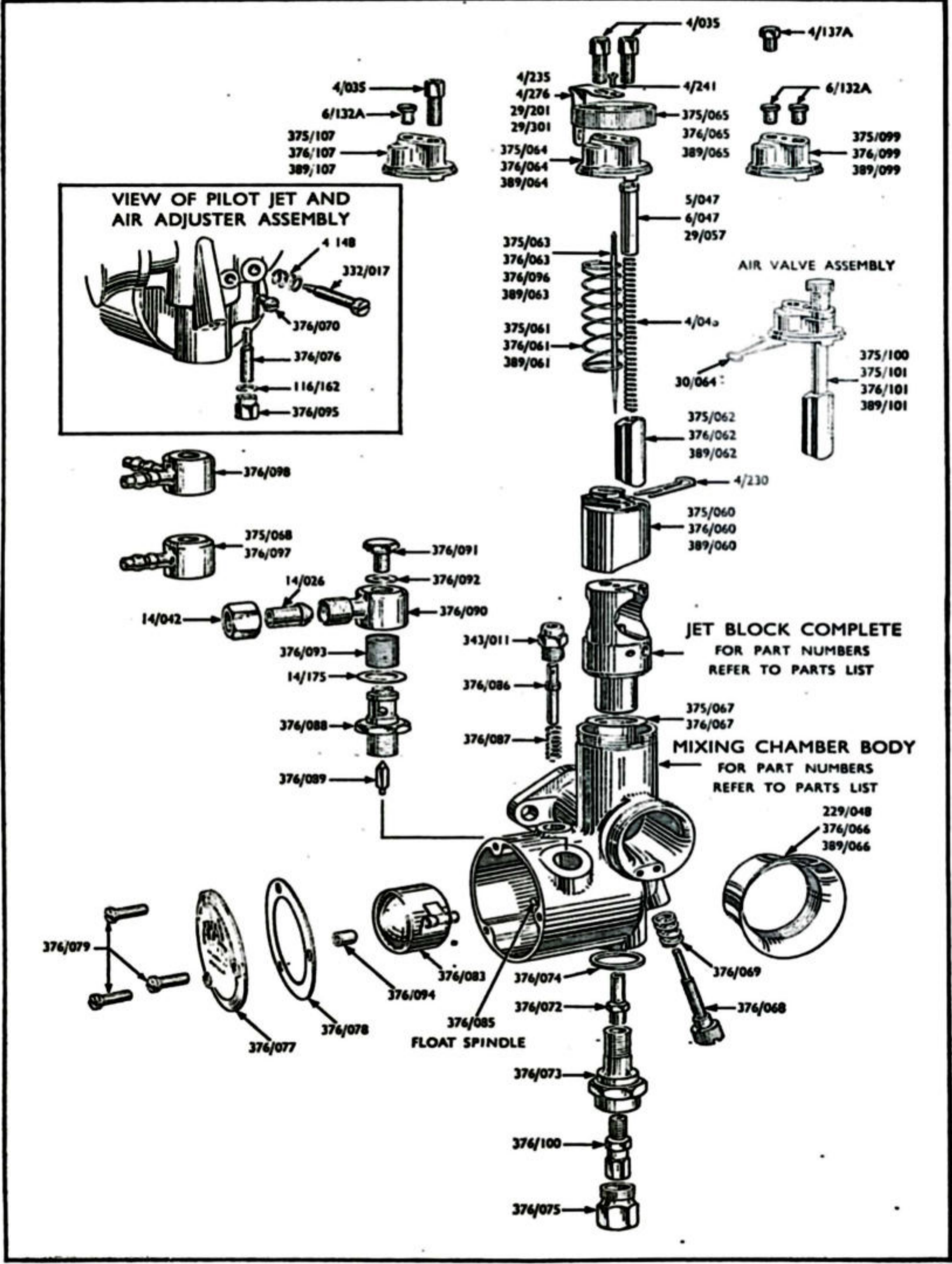
PART No.	SUPERSEDED No.	PLATE No.	DESCRIPTION	QTY.	MODEL	PRICE EACH
PISTON ASSEMBLIES AND FITTINGS						
22491	—	—	Piston complete with rings, gudgeon pin and circlips	1	ES2	£ 2 6 6
22490	—	—	Piston complete with rings, gudgeon pin and circlips	1	50	2 8 6
22504	—	A57	Piston complete, L.H.	1	88	3 5 0
22505	—	A58	Piston complete, R.H.	1	88	3 5 0
22512	—	A57	Piston complete, L.H.	1	99	2 12 6
22513	—	A58	Piston complete, R.H.	1	99	2 12 6
22493	—	B53	Piston only	1	ES2	1 6 8
22492	—	B53	Piston only	1	50	1 10 4
22506	—	—	Piston only, L.H.	1	88	2 2 6
22507	—	—	Piston only, R.H.	1	88	2 2 6
22514	—	—	Piston only, L.H.	1	99	1 10 0
22515	—	—	Piston only, R.H.	1	99	1 10 0
22495	—	B54	Piston ring, compression	2	ES2	2 11
22494	—	B54	Piston ring, compression	2	50	2 8
22508	—	—	Piston ring, compression	4	88	3 9
21579	—	—	Piston ring, compression	4	99	3 9
22497	—	B55	Piston ring, scraper	1	ES2	3 11
22496	—	B55	Piston ring, scraper	1	50	3 8
22509	—	—	Piston ring, scraper	2	88	5 2
21578	—	—	Piston ring, scraper	2	99	5 2
22499	—	B56	Gudgeon pin	1	ES2	8 5
22498	—	B56	Gudgeon pin	1	50	7 6
21580	—	—	Gudgeon pin	2	88, 99	9 2
22549	—	B57	Gudgeon pin circlip	2	ES2, 50	10
21581	—	—	Gudgeon pin circlip	4	88, 99	4

N.B. : Prices of oversize pistons are 5/- more than standard sizes.

Pistons and rings can be supplied in the following oversizes : Models ES2 and 50 $+.010"$, $+.020"$, $+.030"$ and $+.040"$ o/size ; Models 88 and 89 $+.010"$, $+.020"$ and $.030"$ o/size.

AMAL CARBURETTOR

376/17	—	—	Carburettor, complete with cables, less twist grip	1	ES2	4 15 0
376/68	—	—	Carburettor, complete with cables, less twist grip	1	50	4 15 0
376/66	—	—	Carburettor, complete with cables, less twist grip	1	88	4 15 0
376/67	—	—	Carburettor, complete with cables, less twist grip	1	99	4 15 0
376/1 $\frac{1}{8}$ "	—	—	Mixing chamber body	1	ES2, 99	1 11 6
376/1"	—	—	Mixing chamber body	1	50, 88	1 11 6
376/057	—	—	Jet block... ..	1	ES2, 99	13 6
376/056	—	—	Jet block... ..	1	50, 88	13 6
376/070	—	—	Locating pegs for jet block	1	All	7
376/067	—	—	Washer for jet block	1	All	2
376/064	—	—	Mixing chamber top	1	All	3 8
376/065	—	—	Mixing chamber top cap ring	1	All	3 8
4/235	—	—	Cap spring for top	1	All	1 0
4/241	—	—	Fixing screw for cap spring	1	All	2
4/035	—	—	Cable adjuster	1	All	9
6/132A	—	—	Cable ferrule (top hat)	1	All	4
4/137A	—	—	Plug screw	1	All	3
376/060	—	—	Throttle valve	1	All	8 0
376/061	—	—	Throttle valve spring	1	All	7
376/063	—	—	Taper needle	1	All	2 9
4/230	—	—	Taper needle clip	1	All	7
376/062	—	—	Air valve... ..	1	All	5 3
6/047	—	—	Air valve guide	1	All	1 6
4/046	—	—	Air valve spring	1	All	4
376/101	—	—	Rod control air valve assembly	1	All	10 0
30/064	—	—	Click spring for rod control air valve assembly	1	All	3



PART No.	SUPERSEDED No.	PLATE No.	DESCRIPTION	QTY.	MODEL	PRICE EACH
AMAL CARBURETTOR—cont.						£ s. d.
376/072	—	—	Needle jet	1	All	3 3
376/100	—	—	Main jet (specify size)	1	All	1 6
376/073	—	—	Main jet holder	1	All	4 9
376/074	—	—	Main jet holder washer	1	All	2
376/075	—	—	Main jet cover nut	1	All	1 3
376/076	—	—	Pilot jet	1	All	1 3
376/095	—	—	Pilot jet cover nut	1	All	1 0
116/162	—	—	Pilot jet cover nut washer	1	All	2
332/017	—	—	Air adjusting screw	1	All	1 0
4/148	—	—	Air adjusting screw spring	1	All	4
376/068	—	—	Throttle stop screw	1	All	1 0
376/069	—	—	Throttle stop screw spring	1	All	3
376/066	—	—	Air intake tube	1	All	4 9
376/083	—	—	Float complete	1	All	6 0
376/085	—	—	Float hinge spindle	1	All	8
376/094	—	—	Float spindle bush	1	All	4
376/089	—	—	Float needle	1	All	1 10
376/088	—	—	Float needle seating	1	All	3 0
14/175	—	—	Float needle seating washer	1	All	2
376/097	—	—	Banjo single	1	All	2 6
14/175	—	—	Banjo washer	1	All	2
376/091	—	—	Banjo bolt	1	All	8
376/092	—	—	Banjo bolt washer	1	All	2
376/086	—	—	Tickler	1	All	1 3
343/011	—	—	Tickler body	1	All	1 6
376/087	—	—	Tickler spring	1	All	2
376/077	—	—	Float chamber cover	1	All	3 0
376/078	—	—	Float chamber cover joint	1	All	4
376/079	—	—	Float chamber cover screws	3	All	2
376/093	—	—	Filter gauze	1	All	1 0
20000	—	A28	Carburettor sealing ring	1	All	1 0
STATOR AND RECTIFIER						
47122A	—	—	Stator } Alternator	1	All	3 15 0
423506	—	—	Rotor }	1	All	4 7 6
20691	—	—	Stator fixing stud	3	All	10
17698	—	—	Washer for stud	3	All	3
E3229	—	—	Nut for stud	3	All	5
20948	—	A74	Key for rotor	1	All	3
19147	—	—	Washer for rotor	1	All	3
465909	—	A73	Nut for rotor	1	All	1 6
21440	—	—	Distance piece for rotor	1	ES2, 50	1 6
20885	—	B106	Stator housing	1	All	17 3
20783	—	—	Stator housing fixing screw	3	ES2, 50	3
20693	—	—	Stator housing fixing screw	3	88, 99	1 5
21411	—	—	Washer for fixing screw	3	All	3
47111A	—	—	Rectifier	1	All	2 2 6
19971	—	—	Rectifier fixing nut	1	All	7
10914	—	—	Washer for nut	2	All	5
133264	—	—	Rectifier cable fixing screw	3	All	4
166094	—	—	Nut for screw	3	All	2
154409	—	—	Washer for screw	3	All	2
COIL AND FITTINGS						
45077B	—	—	Coil	1	All	1 11 6
21014	—	—	Coil clip	1	All	10
12342	—	—	Bolt for clip	1	All	6
17698	—	—	Washer for bolt	1	All	3
E3229	—	—	Nut for bolt	1	All	5
166043	—	—	Terminal nut	2	All	2
188330	—	—	Terminal nut shakeproof washer	2	All	1
131023	—	—	Terminal nut plain washer	2	All	1
421863	—	—	Cable clip	1	All	5
421554	—	—	Rubber grommett	1	All	4

PART No.	SUPERSEDED No.	PLATE No.	DESCRIPTION	QTY.	MODEL	PRICE EACH
DISTRIBUTOR AND FITTINGS						
22202	40628A/B	—	Distributor complete, 18 D.1 ...	1	ES2, 50	£ 4 5 0
20589A	40589A/D	—	Distributor complete, 18 D.2 ...	1	88, 99	4 5 0
425049	—	—	Distributor cap assembly ...	1	88, 99	8 6
424151	—	—	Distributor cap assembly ...	1	ES2, 50	2 9
404435	—	—	Distributor cap carbon brush and spring ...	1	88, 99	6
188639	—	—	Distributor rubber ring ...	1	88, 99	1 9
188643	—	—	Distributor oil seal ...	1	88, 99	4 0
424158	—	—	Distributor cap retaining spring clip...	2	All	6
423486	—	—	Rotor Arm ...	1	88, 99	2 6
425219	—	—	Contact breaker set ...	1 set	All	6 3
54410823	—	—	Condenser assembly ...	1	All	6 0
842185	—	—	Distributor H.T. lead ...	1	88, 99	6
842187	—	—	Distributor H.T. lead ...	1	All	6
842189	—	—	Distributor H.T. lead ...	1	88, 99	6
54941565	—	—	Distributor H.T. lead ...	1	ES2, 50	9
421863	—	—	H.T. lead contact clip ...	1	ES2, 50	5
421554	—	—	Distributor terminal rubber cover ...	4	88, 99	5
21064	—	—	Clip for H.T. lead ...	1	ES2, 50	4
21459	—	B109	Distributor housing ...	3	88, 99	4
20684	—	—	Distributor housing ...	1	ES2, 50	12 4
21027	—	B110	Distributor housing joint washer ...	1	88, 99	12 4
T2256	—	B111	Distributor flange plate pin ...	1	All	3
T2211	—	B112	Washer for pin ...	1	All	1 2
T387	B2/612	—	Distributor drain plug ...	1	All	3
11775	—	—	Distributor housing to crankcase stud (bottom) ...	1	ES2, 50	5
420151	—	—	Washer for plug ...	1	ES2, 50	2
415087	—	B113	Distributor clamping plate ...	1	All	2 9
T2245	—	B114	Distributor clamping plate pinch bolt complete with nut and washer ...	1	All	1 0
E3231	—	—	Distributor housing to crankcase stud (bottom) ...	1	All	7
11796	—	—	Nut for stud ...	1	All	5
21028	—	—	Washer for stud ...	1	All	3
21030	—	B115	Distributor housing to crankcase stud	2	All	1 6
210929	—	B116	Nut for stud ...	2	All	1 6
		B117	Washer for stud ...	2	All	3
DISTRIBUTOR DRIVE PARTS						
21653	—	B75	Distributor sprocket ...	1	ES2, 50	17 3
21654	—	—	Fixing pin for sprocket ...	1	ES2, 50	9
E5379	—	—	Washer for pin ...	1	ES2, 50	3
20688	—	—	Distributor sprocket ...	1	88, 99	17 3
20794	—	—	Distributor sprocket peg ...	1	88, 99	10
20938	—	—	Distributor sprocket collar ...	1	88, 99	1 4
13780	C2/79	B76	Distributor drive sprocket (on engine)	1	ES2, 50	11 6
E3681	A2/81	—	Key for sprocket ...	1	ES2, 50	3
E3224	—	B77	Nut for sprocket ...	1	ES2, 50	5
E5376	—	B78	Washer for sprocket ...	1	ES2, 50	3
17699	C2/113	B79	Distributor drive chain (44 link) ...	1	ES2, 50	9 0
18257	D12/113	—	Distributor drive chain (42 link, end-less) ...	1	88, 99	9 0
EXHAUST PIPE AND FITTINGS						
22102	—	—	Exhaust pipe ...	1	ES2	2 0 3
22103	—	—	Exhaust pipe ...	1	50	1 17 5
19464	—	—	Exhaust pipe, L.H. ...	1	88	2 3 2
19465	—	—	Exhaust pipe, R.H. ...	1	88	2 3 2
19466	—	—	Exhaust pipe, L.H. ...	1	99	2 3 2
19467	—	—	Exhaust pipe, R.H. ...	1	99	2 3 2

PART No.	SUPERSEDED No.	PLATE No.	DESCRIPTION	QTY.	MODEL	PRICE EACH
EXHAUST PIPE AND FITTINGS—cont.						£ s. d.
18197	A3/167	—	Exhaust pipe locking nut ...	1	ES2, 50	8 10
E6842	A3/166	—	Exhaust pipe lock nut washer ...	1	ES2, 50	5
T2166	D12/166	—	Exhaust pipe lock nut washer ...	2	88, 99	5
18092	D12/167	A34	Exhaust pipe locking nut ...	2	88, 99	8 10
SILENCER AND FITTINGS						
22121	—	—	Silencer, R.H. ...	1	All	3 9 0
22120	—	—	Silencer, L.H. ...	1	88, 99	3 9 0
20064	—	—	Silencer fixing bracket, L.H. ...	1	88, 99	1 9
19473	—	—	Silencer fixing bracket, R.H. ...	1	88, 99	1 9
22097	—	—	Silencer fixing bracket, R.H. ...	1	ES2, 50	1 0
17075	—	—	Silencer fixing bracket bolt ...	2	ES2, 50	6
				4	88, 99	
E5456	—	—	Silencer fixing bracket bolt washer ...	2	ES2, 50	3
				4	88, 99	
16255	—	—	Silencer to exhaust pipe clip ...	1	ES2, 50	2 5
				2	88, 99	
E3154	—	—	Bolt for clip ...	1	ES2, 50	6
				2	88, 99	
E3231	—	—	Nut for bolt ...	1	ES2, 50	5
				2	88, 99	
FRONT FORK ASSEMBLY AND FITTINGS						
M12-2/170	—	—	Front fork assembly, complete (solo)...	1	All	26 0 2
18482	H12-2/605	—	Main tube ...	2	All	2 0 6
T1055	B2/614	MJ35	Main tube top bush ...	2	All	6 8
T1048	B2/606	MJ32	Main tube bottom bush ...	2	All	8 10
14298	E11M/1044	MJ90	Main tube bottom bush circlip ...	2	All	7
19299	—	MJ92	Fork end, L.H. ...	1	All	3 9 0
19298	—	—	Fork end, R.H. ...	1	All	3 9 0
16664	—	—	Fork end pinch stud ...	1	All	5
E3231	—	—	Nut for stud ...	1	All	5
T387	B2/612	MJ29	Fork end drain plug ...	2	All	5
11775	B2/613	MJ38	Washer for plug ...	2	All	2
20253	—	MJ93	Oil damper tube ...	2	All	1 3 8
15801	F11M2/1049	MJ64	Oil damper rod ...	2	All	4 0
14275	F11M2/630	—	Oil damper tube bolt ...	2	All	11
T1009	—	—	Washer for bolt ...	2	All	1
T814	—	—	Washer for tube ...	2	All	1
E3224A	—	MJ60	Nut for rod top ...	2	All	5
E3231	—	MJ89	Nut for rod bottom ...	2	All	5
14605	—	MJ85	Damper tube cap ...	2	All	3 4
14119	E11M/1048	MJ86	Piston locating peg ...	2	All	3
14118B	E11M/1046	MJ87	Oil damper valve cup ...	2	All	2 8
14117	E11M/1047	MJ88	Oil damper valve cup slotted ring ...	2	All	2 8
17713	D3T/616	—	Oil seal ...	2	All	5 6
T1049	B2/617	—	Oil seal paper washer ...	2	All	2
50117	F11M/615	MJ91	Main tube lock ring with cup ...	2	All	1 3 8
18813	F11M2/620	MJ65	Main spring ...	2	All	8 10
16880	—	MJ63	Main spring locating bushes ...	2	All	1 9
19307	L12-2/622	MJ84	Spring top cover tube ...	2	All	5 4
T831	B2/623	MJ20	Spring top cover tube securing plate ...	2	All	1 4
T702	B2/624	MJ21	Screws for securing plate ...	6	All	3
50259	—	MJ69	Crown lug complete with column ...	1	All	3 4 2
16164	F11M2/642	MJ71	Pinch stud for crown lug ...	2	All	7
16187	F11M2/643	MJ70	Nut for stud ...	2	All	5
15628	F11M2/644	MJ67	Head clip ball race cover ...	1	All	1 4
15630	F11M2/645	MJ66	Fork head race adjuster nut ...	1	All	8 1
19275	L12-2/635	MJ68	Top cover with lamp bracket, L.H. ...	1	All	16 10
19276	L12-2/636	MJ56	Top cover with lamp bracket, R.H. ...	1	All	16 10
19272	—	—	Distance piece for lamp bracket ...	2	All	1 2
15398	—	—	Top cover name plate ...	2	All	2 0
18810	—	—	Rivets for plate, 4 per set ...	1 set	All	3

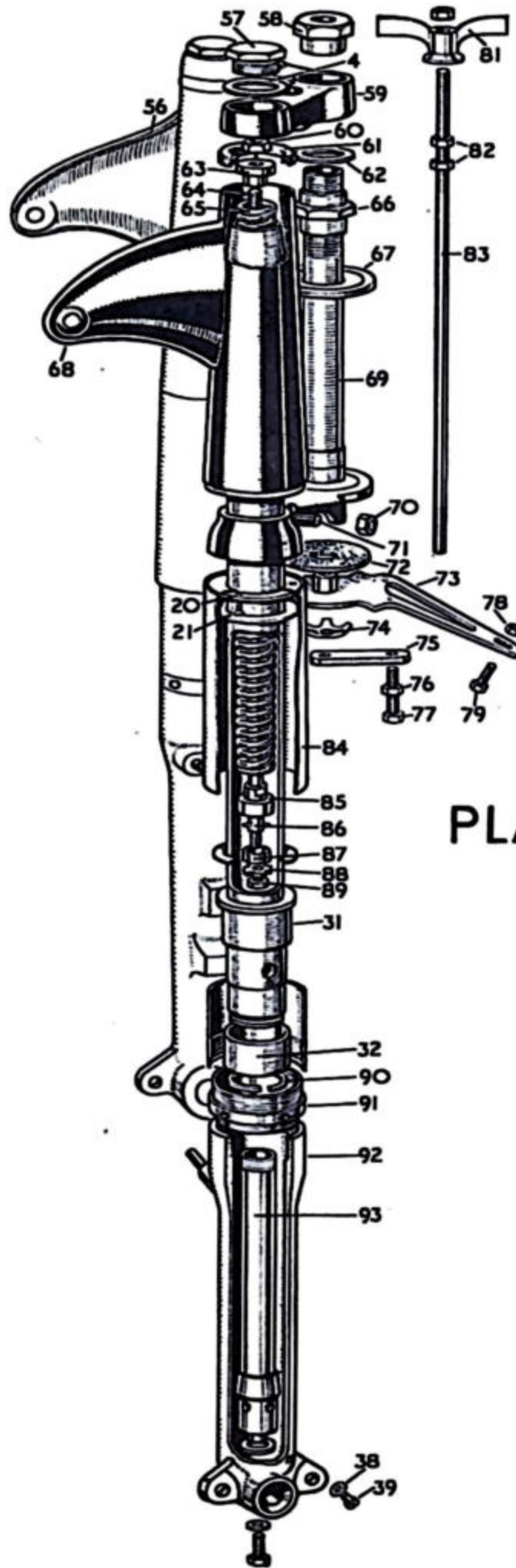


PLATE M. J.

PART No.	SUPERSEDED No.	PLATE No.	DESCRIPTION	QTY.	MODEL	PRICE EACH
FRONT FORK ASSEMBLY AND FITTINGS—cont.						£ s. d.
T597	F11M2/639	MJ61	Main tube top cover rubber ring ...	2	All	11
16998	H12-2/633	MJ57	Fork main tube filler and retaining plug	2	All	6 8
T320	B2/634	MJ4	Washer for plug ...	2	All	11
19019	L122/174	MJ59	Fork head clip ...	1	All	2 3 11
19490	L12-2/205	MJ58	Fork crown and column lock nut ...	1	All	6 8
15627	—	MJ62	Washer for column lock nut ...	1	All	7
18769	H12-2/206	MJ73	Front fork stop and anchor plate ...	1	All	3 4
16008	H12-2/207	MJ72	Friction disc for anchor plate ...	1	All	1 4
E3135	—	MJ79	Bolt for plate ...	1	All	10
E3231	—	MJ78	Nut for bolt ...	1	All	5
18202	—	—	Washer for bolt ...	1	All	3
19357	—	—	Distance piece for bolt ...	1	All	7
19021A	L4/175	—	Cap for handle bar top clip ...	2	All	2 8
19437	L4/176	—	Screw for cap ...	4	All	7
SD4	—	—	Steering damper assembly, complete			
D1	—	—	(solo) ...		All	1 6 8
					Optional	
SD1	—	—	Steering damper assembly, complete		All	1 6 8
			(sidecar use) ...		All	
					Optional	
88/2002	—	—	Complete set fork oil seals ...	1	All	13 6
			Sets comprise the following :			
			11775 ... (2)			
			D3T/616 ... (2)			
			B2/617 ... (2)			
			F11M2/639 ... (2)			
			B2/628 ... (2)			

FRONT FORKS WITH SIDECAR TRAIL

M12-2/170 SC	—	—	Front fork assembly complete (for side car use) ...	1	All	26 0 2
15906A	—	MJ65	Fork spring ...	2	All	8 10
21508	—	MJ69	Fork crown and column ...	1	All	3 4 2
13457	B2/642	MJ71	Pinch stud for crown lug ...	2	All	7
13459	B2/643	MJ70	Nut for stud ...	2	All	5
21593	—	MJ59	Fork head clip ...	1	All	2 3 11
21632	—	—	Fork crown and column lock stop ...	1	All	3 4
21570	—	MJ68	Fork top cover with lamp bracket, L.H.	1	All	16 10
21571	—	MJ56	Fork top cover with lamp bracket, R.H.	1	All	16 10
21620	—	MJ73	Steering damper anchor plate ...	1	All	3 4
T347	B2/207	MJ72	Steering damper friction disc ...	2	All	1 4
50002	B2/208	—	Steering damper friction plate ...	1	All	5 4
21642	—	—	Bolt for friction plate ...	1	All	10
E5380	—	—	Washer for bolt ...	1	All	3
E3135	—	—	Bolt for anchor plate ...	1	All	10
E3231	—	—	Nut for bolt ...	1	All	5
18202	—	—	Washer for bolt ...	1	All	3
19357	—	—	Distance piece for anchor plate ...	1	All	7
15626	—	MJ58	Fork crown and column locknut ...	1	All	6 8
15627	—	MJ62	Washer for locknut ...	1	All	7
21509	—	MJ83	Steering damper rod ...	1	All	1 4
E3231	—	MJ82	Nut for rod ...	2	All	5
21574	—	—	Distance piece for rod ...	1	All	7
16075	—	—	Spring for rod ...	1	All	11
18336	—	MJ81	Wing nut for rod ...	1	All	8 8
E3223	—	—	Locknut for wing nut ...	1	All	5

N.B.—Parts not listed above are as fitted to solo forks.

HANDLEBAR AND FITTINGS

19405	L12-2/211	—	Handlebar bend ...	1	All	1 8 9
19021A	L4/175	—	Handlebar half clip ...	2	All	2 8
19437	L4/176	—	Handlebar half clip pins ...	4	All	7

PART No.	SUPERSEDED No.	PLATE No.	DESCRIPTION	QTY.	MODEL	PRICE EACH
FRONT BRAKE AND CLUTCH LEVER ASSEMBLIES						
						£ s. d.
19410	—	—	Front brake and air control lever, complete	1	All	1 3 0
M12-2/224	—	—	Front brake lever, complete	1	All	14 10
M12-2/226	—	—	Clutch lever, complete	1	All	14 10
M12-2/225	—	—	Front brake lever only	1	All	7 5
M12-2/227	—	—	Clutch lever only	1	All	7 5
M12-2/228 (RH)	—	—	Front brake lever body	1	All	6 10
M12-2/228 (LH)	—	—	Clutch lever body	1	All	4 0
A2/222	—	—	Clutch lever body clip	1	All	1 4
A2/223	—	—	Pins for clips	2	All	5
M12-2/229	—	—	Front brake or clutch lever pivot pin... ..	2	All	5
M12-2/230	—	—	Nut for pivot pin	2	All	3
EXHAUST LIFTER LEVER AND FITTINGS						
M2/233	—	—	Exhaust lifter lever, complete	1	ES2, 50	11 9
M2/234	—	—	Exhaust lifter lever only	1	ES2, 50	4 0
M2/235	—	—	Exhaust lifter lever body	1	ES2, 50	5 4
A2/222	—	—	Exhaust lifter lever clip	1	ES2, 50	1 4
A2/223	—	—	Exhaust lifter lever pivot pin or clip screw	3	ES2, 50	5
A2/236	—	—	Nut for pivot pin	1	ES2, 50	3
TWIST GRIP COMPLETE AND FITTINGS						
M12-2/237	—	—	Twist grip complete	1	All	14 2
M12-2/238	—	—	Twist grip top half clip	1	All	4 5
M12-2/239	—	—	Twist grip bottom half clip	1	All	4 5
A2/240	—	—	Twist grip clip fixing pin	2	All	5
M12-2/241	—	—	Twist grip control barrel	1	All	5 1
A2/242	—	—	Twist grip control adjusting screw	1	All	6
A2/236	—	—	Twist grip control adjusting screw nut	1	All	3
M12-2/243	—	—	Twist grip adjusting screw spring	1	All	1 2
M12-2/244	—	—	Twist grip cable stop	1	All	6
19414	—	—	Twist grip plastic grip	1	All	1 9
20267	—	—	Dummy grip to match twist grip	1	All	2 5
AIR LEVER COMPLETE AND FITTINGS						
M12-2/216	—	—	Air lever, complete	1	All	12 2
M122/217	—	—	Air lever only	1	All	5 4
M12-2/218	—	—	Air lever body	1	All	4 0
M122/220	—	—	Air lever cap	1	All	11
M122/219	—	—	Air lever cap screw	1	All	5
A2/221	—	—	Air lever cap spring washer	1	All	3
M122/223	—	—	Air lever clip screw	2	All	10
FRONT BRAKE CABLE						
20295	B2/268	—	Front brake cable complete with adjuster U clip and nipples	1	All	9 6
B2/269	—	—	Front brake outer cable	1	All	4 8
B2/270	—	—	Front brake inner cable	1	All	2 8
18881	—	—	Front brake adjuster	1	All	4 0
18882	A2/254	—	Front brake cable nipple U clip end	1	All	3
A2/252	—	—	Front brake cable nipple handlebar end	1	All	1 4
14759	A2/709	—	Front brake cable U clip	1	All	8
E3255	—	—	Pin for U clip	1	All	5
17735	—	—	Cotter for pin	1	All	1
E5455	—	—	Washer for pin	1	All	3

PART No.	SUPERSEDED No.	PLATE No.	DESCRIPTION	QTY.	MODEL	PRICE EACH
CLUTCH CABLE						
						£ s. d.
19828	—	—	Clutch cable complete with adjuster and nipples	1	All	6 0
M12-2/266	—	—	Clutch outer cable	1	All	3 5
M12-2/267	—	—	Clutch inner cable	1	All	1 9
18889	A2/248	—	Clutch cable adjuster	1	All	1 2
A2/252	—	—	Clutch cable nipple handlebar end ...	1	All	1 4
19987	A2/253	—	Clutch cable nipple gear box end ...	1	All	3
EXHAUST LIFTER CABLE						
18888	—	—	Exhaust lifter cable complete with adjuster and nipples	1	ES2, 50	6 0
AIR CABLE						
20276	A2/259	—	Air cable complete (inner and outer) with nipples	1	All	2 9
THROTTLE CABLE						
20277	—	—	Throttle cable complete, inner and outer with nipples	1	All	2 9
PETROL TANK AND FITTINGS						
20072	—	—	Petrol tank	1	All	11 10 0
18524	K12/280	—	Petrol tank filler cap	1	All	10 2
P43/4	—	—	Petrol tank filler cap washer	1	All	1 2
16256	H12-2/1070	—	Petrol tank strap	1	All	4 0
16238	H122/1071	—	Petrol tank strap rubber	1	All	8 1
22339	—	—	Petrol tank strap roller	1	All	1 6
16257	H12-2/1073	—	Petrol tank strap fulcrum pin... ..	1	All	1 4
18291	—	—	Petrol tank strap fulcrum pin cotter ...	2	All	2
16365	H12-2/1074	—	Petrol tank strap roller (tool tray end)	1	All	2 0
22334	—	—	Petrol tank strap fixing bolt (tool tray end)	1	All	2 3
22340	—	—	Washer for bolt	A.R.	All	4
E4563A	—	—	Strap fixing bolt spring	1	All	11
22335	—	—	Strap fixing bolt spring collar	1	All	1 0
16237	H12-2/289	—	Petrol tank mounting rubber	6	All	3 4
20262	—	—	Petrol tank side panel, L.H.	1	All	1 14 6
20261	—	—	Petrol tank side panel, R.H.	1	All	1 14 6
20231	—	—	Petrol tank side panel fixing screw ...	4	All	6
20233	—	—	Petrol tank side panel plastic bead ...	2	All	4 0
22265	—	—	Petrol pipe, complete	1	All	10 2
16294	H12-2/285	—	Petrol tap	1	All	12 2
E5264	—	—	Petrol tap washer	1	All	3
13786	—	—	Petrol tap washer	1	All	3
18678	—	—	Petrol tank badge	2	All	10 2
20230	—	—	Petrol tank badge screw	4	All	5
18786	—	—	Petrol tank badge washer	4	All	1
20222	—	—	Petrol tank knee grip, L.H.	1	All	4 0
20223	—	—	Petrol tank knee grip, R.H.	1	All	4 0
20912	—	—	Petrol tank side panel plastic bead (gold)	2	All	4 0

Optional

(See tool tray for tank strap anchorage).

PART No.	SUPERSEDED No.	PLATE No.	DESCRIPTION	QTY.	MODEL	PRICE EACH
OIL TANK AND FITTINGS						
19208E	—	—	Oil tank, less fittings ...	1	All	£ 3 0 9
21496	K12/291	—	Oil tank filler cap ...	1	All	8 10
P44/4	—	—	Oil tank filler cap washer ...	1	All	10
12342	—	—	Oil tank top fixing bolt ...	1	All	6
E5379	—	—	Washer for bolt ...	2	All	3
17698	—	—	Washer for bolt ...	1	All	3
E3229	—	—	Nut for bolt ...	1	All	5
E6453	—	—	Oil tank bottom fixing stud ...	2	All	7
E3223	—	—	Nut for stud ...	2	All	5
19201	L12-2/1075	—	Oil tank and battery box platform ...	1	All	13 6
19212	L12-2/1076	—	Rubber mat for platform ...	1	All	6 8
14481	—	—	Bolt for platform ...	4	All	9
E5379	—	—	Washer for bolt ...	8	All	3
E3229	—	—	Nut for bolt ...	4	All	5
17014	L12-2/298	—	Breather pipe ...	1	All	2 0
19380	L4/1055	—	Return pipe adaptor ...	1	All	3 4
13786	E3/1056	—	Washer for adaptor ...	2	All	3
13765	—	—	Drain plug ...	1	All	10
13833	—	—	Washer for plug ...	1	All	3
19379	L4/292	—	Filter union with gauze ...	1	All	9 6
E6640	A2/293	—	Washer for union ...	1	All	7

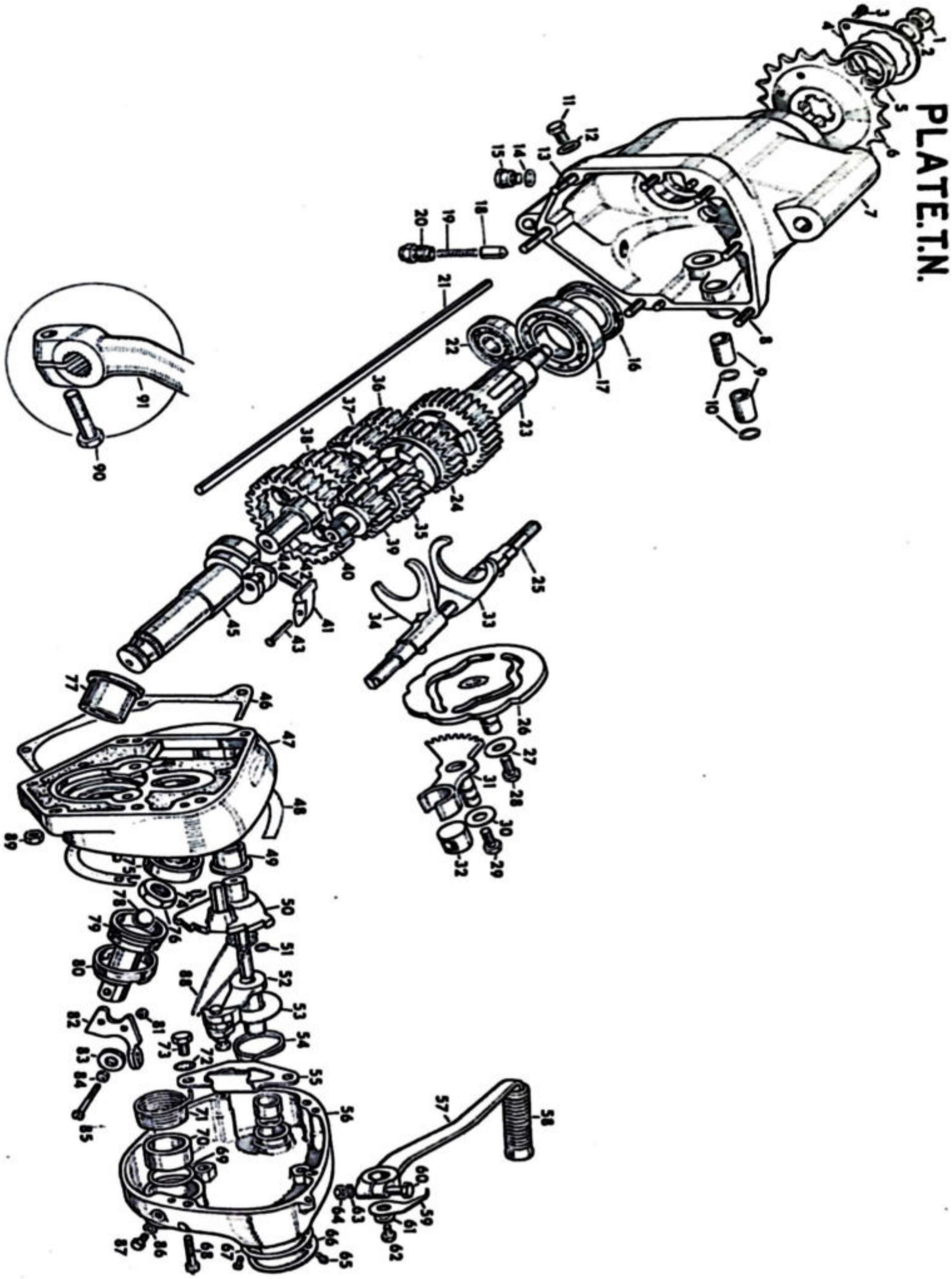
OIL PIPES AND FITTINGS

19480	E2/993	—	Junction block with pipes ...	1	ES2, 50	8 1
19457	—	—	Junction block with pipes ...	1	88, 99	8 1
14843	E2/995	—	Washer for junction block ...	1	ES2, 50	3
T2100	D12/995	—	Stud for junction block ...	1	88, 99	3
T2106	D12/994	—	Dowel for junction block ...	1	All	11
14714	—	—	Stud for junction block ...	1	ES2, 50	1 2
E3223	—	—	Nut for stud ...	1	ES2, 50	5
E5456	—	—	Washer for stud ...	1	ES2, 50	3
T2006	—	—	Stud for junction block ...	1	88, 99	1 2
E5377	D12/997	—	Washer for stud ...	1	88, 99	3
T2101	D12/996	—	Nut for stud ...	1	88, 99	2 0
19452	L4/295/6	—	Oil feed or return pipe ...	2	All	1 9
22351	—	—	Rocker box oil feed pipe assembly ...	1	ES2, 50	6 8
19425	L12-2/699	A3	Rocker box oil feed pipe assembly ...	1	88, 99	11 6
13805	C3/700	B1	Banjo bolt for oil feed pipe ...	1	ES2, 50	3 4
18101	D12/700	A1	Banjo bolt for oil feed pipe ...	2	88, 99	2 8
13786	C3/701	B2	Washer for banjo bolt ...	2	ES2, 50	3
T1084	D12/701	A2	Washer for banjo bolt ...	4	88, 99	3

GEARBOX SHELL

040097	—	TN7	Gearbox shell assembly ...	1	All	6 3 8
040056	—	—	Gearbox bush ...	2	All	5 6
000577	—	—	Gearbox dowel pins ...	2	All	2
040064	—	TN8	Gearbox studs (short) ...	2	All	8
000271	—	TN13	Gearbox studs (long) ...	5	All	7
000004	—	—	Gearbox stud nuts ...	7	All	6
040030	—	TN46	Gearbox shell gasket ...	1	All	2
040403	—	TN47	Gearbox inner cover ...	1	All	3 9 0
040072	—	TN77	Gearbox inner cover K/S ...	1	All	7 6
040042	—	—	Gearbox inner cover K/S stop ...	1	All	2 0
040071	—	—	Gearbox inner cover K/S cam ...	1	All	1 2
040041	—	—	Kickstarter cam and stop rivets ...	2	All	1 1
040061	—	TN49	Inner bush for gear change ...	1	All	1 5
000577	—	—	Dowel pins ...	2	All	2
040063	—	—	Bush for gear change ...	1	All	1 2
040058	—	TN70	Bush for kickstarter ...	1	All	6 4
040133	—	TN56	Gearbox outer cover ...	1	All	2 17 6
040055	—	TN48	Outer cover gasket ...	1	All	2
000482	—	—	Outer cover screws ...	5	All	6

PLATE.T.N.



PART No.	SUPERSEDED No.	PLATE No.	DESCRIPTION	QTY.	MODEL	PRICE EACH
						£ s. d.
GEARBOX SHELL—cont.						
040138	—	TN11	Drain plug	1	All	8
000200	—	TN12	Drain plug washer	1	All	5
040053	—	TN66	Inspection cover	1	All	16 0
040057	—	TN67	Inspection cover washer	1	All	1
000450	—	TN65	Inspection cover pins	2	All	3
000348	—	TN87	Oil level plug	1	All	6
000203	—	TN86	Oil level plug washer	1	All	2
GEARBOX FIXING BOLTS						
14367	—	MZ25	Gearbox top bolt	1	All	4 8
15170	—	MZ17	Gearbox top bolt nut	1	All	3 6
16410	H12-2/312	—	Gearbox bottom stud, less nut	1	All	1 4
11809	—	MZ28	Gearbox bottom bolt washer... ..	1	All	3
E3227	—	MZ27	Gearbox bottom bolt nut	1	All	6
GEARBOX FRONT CHAIN ADJUSTER						
H2/314	—	MZ16	Gearbox front chain adjuster eye bolt and nut	1	All	5 4
E3231	—	MZ18	Gearbox front chain adjuster nuts	2	All	5
16997	H2/1008	—	Gearbox front chain adjuster bolt only	1	All	4 6
GEARBOX PINIONS, SHAFTS AND BEARINGS						
040128	—	—	Gearbox complete, less clutch	1	All	26 9 0
040098	—	TN17	Ballrace, mainshaft (large)	1	All	1 5 11
040099	—	TN75	Ballrace, mainshaft (small)	1	All	18 5
040100	—	TN22	Ballrace, layshaft	1	All	18 5
040131	—	—	Axle sprocket spacer	1	All	5 9
040132	—	TN16	Sleeve gear oil seal	1	All	5 2
040116	—	TN23	Sleeve gear assembly	1	All	2 17 6
040062	—	—	Sleeve gear bushes	2	All	2 11
040010	—	TN6	Axle sprocket	1	All	1 8 9
040076	—	TN4	Axle sprocket locking plate	1	All	7
000450	—	TN3	Axle sprocket locking plate screw	1	All	3
040070	—	TN1	Axle sprocket nut	1	All	1 5
040108	—	TN26	Cam plate assembly	1	All	1 18 6
040018	—	—	Cam plate bare	1	All	1 9 11
040015	—	—	Cam plate spindle	1	All	8 8
040109	—	TN31	Quadrant assembly	1	All	1 3 0
040129	—	—	Quadrant O ring	1	All	1 2
000174	—	TN27 & 30	Washer for cam and quadrant	2	All	2
040136	—	TN28 & 29	Screw for cam and quadrant	2	All	7
040022	—	TN34	Selector fork	2	All	1 13 4
040035	—	TN23	Selector fork shaft	1	All	6 4
040001	—	—	Mainshaft	1	All	2 6 0
040023	—	TN74	Mainshaft nut	1	All	1 2
040012	—	TN24	Mainshaft, 3rd gear	1	All	1 17 5
040021	—	TN35	Mainshaft, 2nd gear	1	All	1 11 8
040048	—	—	Mainshaft, 2nd gear bush	1	All	7 6
040026	—	TN39	Mainshaft, bottom gear	1	All	14 5
040025	—	—	Layshaft	1	All	1 14 6
040020	—	TN36	Layshaft pinion	1	All	14 5
040016	—	TN37	Layshaft, 3rd gear	1	All	1 12 9
040047	—	—	Layshaft, 3rd gear bush	1	All	9 9
040019	—	TN38	Layshaft, 2nd gear	1	All	1 14 6
040115	—	TN40	Layshaft, bottom gear	1	All	2 0 3
040046	—	—	Layshaft, bottom gear bush	1	All	5 9
040078	—	TN32	Roller for knuckle pin	1	All	4 7
040036	—	TN20	Index plunger bush	1	All	10
040045	—	TN19	Index plunger spring	1	All	2
040034	—	TN18	Index plunger	1	All	3 1

PART No.	SUPERSEDED No.	PLATE No.	DESCRIPTION	QTY.	MODEL	PRICE EACH
KICKSTARTER PARTS						
040114	—	TN45	Kickstarter axle assembly ...	1	All	£ 2 14 1
040032	—	TN77	Kickstarter axle assembly bush ...	1	All	8 8
040017	ATL- ALL	TN41	Kickstarter pawl ...	1	All	6 4
040033	—	TN43	Kickstarter pawl pin ...	1	All	1 2
040044	—	TN44	Kickstarter pawl spring ...	1	All	3
040069	—	TN42	Kickstarter pawl, plunger ...	1	All	7
040101	—	TN91	Kickstarter crank ...	1	All	1 19 1
040102	—	TN90	Kickstarter crank bolt ...	1	All	1 2
040043	—	TN71	Kickstarter return spring ...	1	All	1 2
040005	—	TN69	Kickstarter O ring ...	1	All	1 2
N8081	—	—	Kickstarter rubber ...	1	All	1 4
POSITIVE FOOTCHANGE						
040004	—	TN57	Footchange lever ...	1	All	1 5 11
040086	—	TN58	Footchange lever rubber ...	1	All	1 2
040105	—	TN60	Footchange lever bolt ...	1	All	1 2
000191	—	TN63	Footchange lever bolt washer ...	1	All	2
000005	—	TN64	Footchange lever bolt nut ...	1	All	6
040051	—	TN59	Footchange gear indicator ...	1	All	1 9
040137	—	TN62	Footchange gear indicator screw ...	1	All	7
000012	—	TN61	Footchange gear indicator washer ...	1	All	2
040111	—	TN50	Footchange ratchet plate with spindle ...	1	All	1 13 11
040066	—	—	Footchange ratchet plate spindle ...	1	All	6 4
040052	—	TN55	Footchange stop plate ...	1	All	2 11
041400	—	TN73	Footchange stop plate screw ...	2	All	7
014117	—	TN72	Footchange stop plate spring washer...	2	All	2
040079	—	—	O ring for ratchet spindle ...	1	All	7
040006	—	—	O ring for footchange ...	1	All	1 2
040038	—	TN88	Footchange pawl spring ...	1	All	5
040110	—	TN52	Footchange pawl carrier assembly ...	1	All	1 7 7
040002	—	—	Footchange pawl carrier only ...	1	All	1 6 2
040024	—	—	Footchange pawl ...	1	All	6 4
040067	—	—	Footchange pawl carrier pin ...	1	All	1 9
040049	—	—	Footchange pawl circlip ...	1	All	1
040075	—	TN54	Footchange pawl return spring ...	1	All	7
040135	—	TN53	Footchange pawl return spring washer ...	1	All	7
040061	—	—	Footchange inner bush ...	1	All	1 5
CLUTCH ASSEMBLY AND FITTINGS						
21651	}	—	Clutch, complete ...	1	50	12 0 0
040399		—	Clutch' complete ...	1	ES2, 88, 99	12 5 0
21652		—	Clutch' complete ...	1	ES2, 88, 99	12 5 0
040400	}	—	Clutch operating ball ...	1	All	5
040031		TN78	Clutch operating body...	1	All	9 9
040059	—	TN79	Clutch operating body lockring ...	1	All	2 4
040003	—	TN80	Clutch operating lever ...	1	All	4 4
040029	—	TN82	Clutch operating roller ...	1	All	8
040060	—	TN83	Clutch roller sleeve ...	1	All	7
040065	—	TN84	Clutch roller screw (2 B.A.) ...	1	All	6
000457	—	TN85	Clutch roller screw nut ...	1	All	3
011846	—	TN81	Clutch rod ...	1	All	2 7
040084	—	TN21	Clutch back plate ...	1	All	15 0
21261	—	PQ1	Clutch roller cage ...	1	All	3 5
040367	A2/382	PQ2	Clutch rollers (15 per set) ...	1 set	All	5 1
000075	A2/383	PQ3	Clutch race plate ...	1	All	13 6
040351	—	PQ4	Clutch spring stud ...	3	All	2 8
040384	—	PQ5	Clutch spring stud nut ...	3	All	5
040356	A2/402	PQ6	Clutch body only ...	1	All	2 0 6
040366	—	PQ7	Clutch shock absorber rubbers (large) ...	3	All	8
040386	A2/388	PQ8	Clutch shock absorber rubbers (small) ...	3	All	6
040387	A2/389	PQ9				

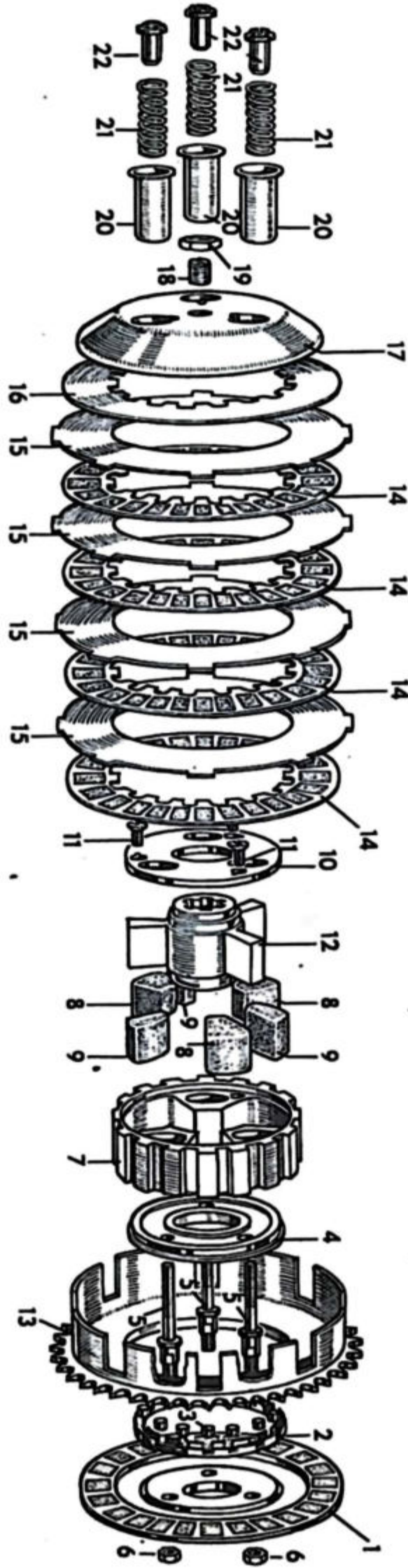


PLATE P.Q.

PART No.	SUPERSEDED No.	PLATE No.	DESCRIPTION	QTY.	MODEL	PRICE EACH
CLUTCH ASSEMBLY AND FITTINGS—cont.						£ s. d.
040362	—	PQ10	Clutch shock absorber cover plate ...	1	All	8 1
040363	—	PQ11	Clutch shock absorber cover plate pins	3	All	2
040354	—	PQ12	Clutch body centre ...	1	All	1 13 10
21249	—	PQ13	Clutch sprocket ...	1	All	3 0 0
21259	—	PQ14	Clutch friction plate ...	3	50	8 9
21480	—	PQ15	Clutch plate (plain) ...	4	ES2, 88, 99	3 9
				3	50	
21260	—	PQ16	Clutch end plate assembly ...	1	All	5 9
				1	50	12 1
040393	—	PQ17	Clutch pressure plate ...	1	50	12 1
040365	—	PQ17	Clutch pressure plate ...	1	ES2, 88, 99	12 1
040360	—	PQ18	Clutch adjuster ...	1	All	8
040376	—	PQ19	Clutch adjuster locknut ...	1	All	8
040388	—	PQ20	Clutch spring cup ...	3	All	11
040385	—	PQ21	Clutch spring ...	3	All	11
040389	—	PQ22	Clutch spring adjuster nut ...	3	All	1 4
040373	E6254	TN1	Main axle nut ...	1	All	11
040374	E6266	TN2	Main axle nut washer ...	1	All	2
GOS/2000	—	—	Small set gearbox seals and washers. Comprising : 040030 (1), 040055 (1), 040057 (1), 040005 (1), 040006 (1) ...		All	2 9
GOS/2001	—	—	Complete set gearbox oil seals and gaskets. Comprising : 040030 (1), 040055 (1), 040057 (1), 000200 (1), 000203 (1), 040132 (1), 040129 (1), 040005 (1), 040079 (1), 040006 (1) ...		All	10 3

FRONT WHEEL AND FITTINGS

M12-2/714	—	—	Front wheel with bearings and brake, less tyre ...	1	All	20 19 10
M122/428	—	—	Front wheel with hub shell only ...	1	All	12 3 3
19664	—	KR21	Front hub shell complete with brake drum ...	1	All	7 9 6
E6888	A2/440	KR24	Hub bearing lock ring ...	1	All	2 8
16783	J2/441	KR23	Hub bearing distance piece (plain side)	1	All	1 4
20249	B2/452	KR26	Front wheel spindle ...	1	All	1 0 3
E4768	B2/454	KR3	Nut for spindle ...	1	All	2 11
50257	—	KR2	Front hub brake plate ...	1	All	3 6 2
20052	—	KR4	Front brake cam lever ...	1	All	4 0
18942	—	KR5	Nut for lever ...	1	All	5
50249	—	KR20	Front brake cam ...	1	All	9 6
19653	—	KR7	Brake plate torque stop pivot pin ...	1	All	3 4
13079	B2/658	KR1	Nut for pin ...	1	All	7
E5944A	—	—	Brake plate packing washer ...	A.R.	All	5
19646	—	KR18	Bearing distance tube ...	1	All	2 0
19719	—	KR15	Hub bearing felt washer steel plate ...	1	All	10
18551	K12-2/442	KR25	Hub bearing dust cap ...	1	All	4 0

REAR WHEEL AND FITTINGS

M2-2/715	—	—	Rear wheel with bearings and brake, less tyre ...	1	All	24 6 5
M2-2/649	—	—	Rear wheel with hub shell only ...	1	All	11 9 9
19689	—	KR46	Rear hub only ...	1	All	6 8 4
18348	—	KR48	Rear hub diaphragm ...	1	All	10 2
18396	—	KR49	Drive screws for diaphragm ...	6	All	2
18731	—	KR52	Rear hub rubber grommets ...	3	All	1 0
50245	—	KR42	Rear brake drum with studs (43 teeth) ...	1	All	4 1 1
18338	—	—	Locating studs for brake drum ...	1	All	1 9
18339	—	—	Non-locating studs for brake drum ...	2	All	1 4
18233	K12-2/451	KR51	Sleeve nut for brake drum ...	3	All	2 8
18234	K12-2/441	KR47	Hub bearing distance piece ...	1	All	2 8

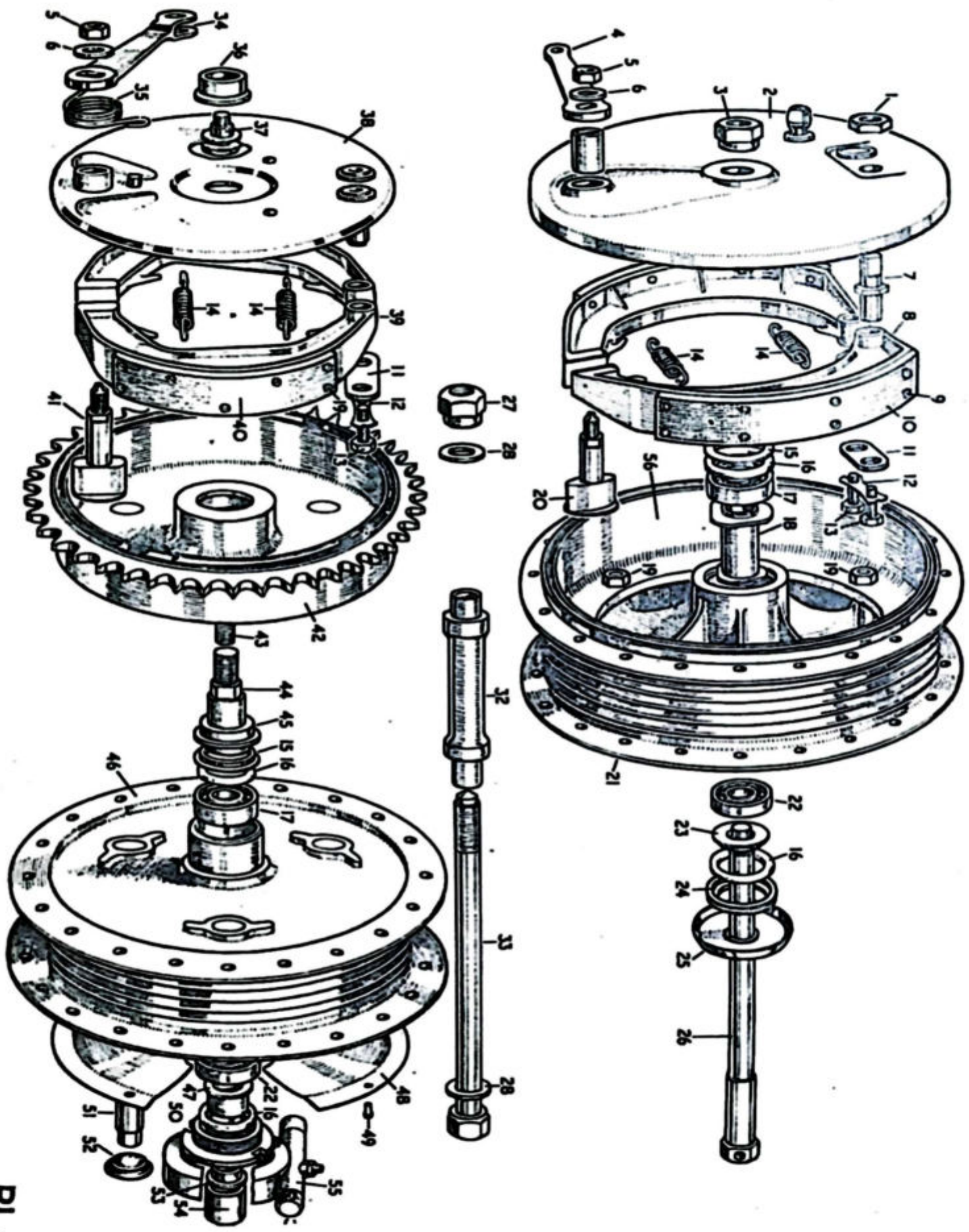


PLATE KR

PART No.	SUPERSEDED No.	PLATE No.	DESCRIPTION	QTY.	MODEL	PRICE EACH
REAR WHEEL AND FITTINGS—cont.						£ s. d.
18232	K12-2/440	KR50	Hub bearing lockring	1	All	6 8
19714	—	KR45	Hub bearing felt washer retaining washer	1	All	10
18231	K12-2/434	KR32	Rear hub inner sleeve	1	All	8 1
E4760	K12-2/464	KR43	Brake drum attachment piece	1	All	10 10
13270	B2/660	KR53	Speedometer drive distance piece	1	All	2 0
18235	K12-2/461	KR54	Hub spindle distance piece	1	All	2 8
19265	—	KR33	Rear hub spindle	1	All	9 6
19266	B2/659	KR28	Rear hub spindle washer	2	All	3
19267	A2/454	KR29	Rear hub spindle nut	1	All	2 11
19852	—	KR38	Rear brake plate	1	All	1 5 11
50011	—	KR41	Rear brake shoe cam with washer	1	All	11 6
19765	—	KR34	Rear brake cam lever	1	All	9 9
E5455	—	KR6	Washer for lever	1	All	3
18942	—	KR5	Nut for lever	1	All	3
18929	—	—	Roller for lever	1	All	7
19268	—	KR36	Rear brake plate distance piece	1	All	2 8
E5276	—	—	Rear brake plate packing washer	A.R.	All	5

PARTS COMMON TO FRONT AND REAR HUBS

17719	A2/435	KR22	Hub bearing (near side front), offside rear)	2	All	15 0
17721	A2/436	KR17	Hub bearing (offside front), near side rear)	2	All	1 8 3
E6885	—	KR16	Hub bearing felt washer	4	All	3
E6889	—	KR15	Hub bearing pen steel washer	2	All	5
E5832	A2/446	KR14	Brake shoe return spring	4	All	7
14454	—	KR11	Brake shoe pivot pin retaining plate	2	All	1 4
14506	—	KR12	Tab washer for retaining plate	2	All	10
12342	—	KR13	Bolt for retaining plate	4	All	6

BRAKE SHOES AND LININGS

18502	J2/443F	KR8	Hub brake shoe with lining (front)	2	All	1 10 5
19584	H2/443R	KR39	Hub brake shoe with lining (rear)	2	All	1 7 8
16782	J2/444F	KR10	Hub brake shoe lining (front)	1 pr.	All	per pair 14 10
16547	H2/444R	KR40	Hub brake shoe lining (rear)	1 pr.	All	per pair 12 10
E5061	—	KR9	Brake lining rivets (16 front, 14 rear)		All	1

WHEEL RIMS AND SPOKES

18350	—	—	Wheel rim (front or rear)	2	All	2 8 7
20063	—	—	Spokes (long head), (per set 20)	40	All	For 20 5 4
20061	—	—	Spokes (short head), (per set 20)	40	All	For 20 5 4
17717	A2/431	—	Nipples (per set 40)	80	All	2d. each
17724	—	—	Security bolt	2	All	5 2

FRONT CHAINCASE AND FITTINGS

20898	—	—	Front chaincase inner portion	1	All	2 17 6
21559	—	—	Front chaincase outer portion	1	ES2, 50	3 0 9
20914	—	—	Front chaincase outer portion	1	88, 99	3 0 9
20939	—	—	Chaincase spigot washer	1	All	7
21439	—	B107	Chaincase spigot piece	1	ES2, 50	15 6
11790	—	—	Chaincase spigot piece dowel	1	ES2, 50	3
21444	—	B108	Sealing washer for spigot piece	1	ES2, 50	2
20942	—	—	Chaincase fixing pin (inner portion)	3	All	3

PART No.	SUPERSEDED No.	PLATE No.	DESCRIPTION	QTY.	MODEL	PRICE EACH
FRONT CHAINCASE AND FITTINGS—cont.						£ s. d.
19429	—	—	Chaincase inner portion rubber grommet	1	All	5
E5380	—	—	Washer for stud	2	All	3
E3223	—	—	Nut for stud	1	All	5
16247	—	—	Nut for stud	1	All	7
13765	—	—	Drain plug	1	All	10
13833	—	—	Washer for plug	1	All	3
14837	A2/487	—	Chaincase inspection cover	1	All	2 5
E6085	A2/488	—	Washer for cover	1	All	3
E6055	A2/495	MZ47	Chaincase attachment nut	1	All	3 2
E6056	A2/496	MZ48	Chaincase attachment nut washer	1	All	2 8
13185	A2/486	—	Chaincase sealing rubber band	1	All	10 2
E6207	A2/494	—	Chaincase footrest tube felt washer	1	All	5
20937	—	—	Chaincase inner portion support stud	1	All	2 6

REAR CHAINGUARD AND FITTINGS

21832	—	—	Rear chainguard	1	All	1 17 10
22022	—	—	Fixing screw	2	All	10
E3229	—	—	Nut for screw	2	All	5
18285	—	—	Grommet	1	All	5

REAR BRAKE PEDAL AND FITTINGS

19995	—	MZ62	Rear brake pedal	1	All	1 12 5
19996	—	MZ69	Rear brake pedal spindle	1	All	4 0
E3227	—	MZ67	Nut for spindle	1	All	6
11809	—	MZ68	Washer for spindle	1	All	3
19997	—	—	Distance piece for spindle	1	All	1 5
19976	—	MZ74	Stop for spindle	1	All	10
19929	—	—	Return spring for pedal	1	All	7
19978	—	MZ63	Grease nipple and retaining pin for pedal	1	All	1 9
15819	H12-2/503	MZ73	Brake rod	1	All	4 0
20134	—	MZ66	Brake rod jaw joint assembly	1	All	6 4
E3255	—	MZ64	Pin for jaw joint	1	All	7
17735	A2/195	MZ65	Split pin	1	All	1
15821	—	MZ75	Brake rod adjuster nut	1	All	4 0

FOOTRESTS AND FITTINGS

18772	D12/513RH	MZ52	Footrest hanger, right-hand	1	All	12 5
18149	A2/513LH	MZ46	Footrest hanger, left-hand	1	All	5 9
19984	—	—	Footrest hanger spindle	2	All	1 9
19983	—	MZ44	Footrest rubber	2	All	1 11
14366	D12/510	MZ38	Footrest rod	1	All	3 4
E3238	—	MZ51	Nut for rod, plain	1	All	6
E3220	—	MZ39	Nut for rod, domed	1	All	1 2
E5377	—	MZ40	Washer for rod	2	All	3
15641	—	—	Distance piece between engine plates	1	88, 99	2 4
18268	H12-2/1078	MZ50	Footrest tube serrated end, R.H.	1	All	5 2
20936	—	MZ49	Footrest tube serrated end, L.H.	1	All	11 6

PILLION FOOTRESTS

H12/584	—	—	Pillion footrest, complete	1 pr.	All	per pr. 2 6 0
18254	H12/1086	MZ54	Pillion footrest bar	2	All	8 8
16244	H12/1087	MZ57	Pillion footrest lug	2	All	7 3
16842	—	MZ61	Stud for pillion footrest and silencer fixing, L.H.	1	All	1 2

PART No.	SUPERSEDED No.	PLATE No.	DESCRIPTION	QTY.	MODEL	PRICE EACH
PILLION FOOTRESTS—cont.						£ s. d.
16246	—	—	Stud for pillion footrest and silencer fixing, R.H.	1	All	1 2
16248	—	MZ55	Pillion footrest bar pins	2	All	10
16250	—	—	Washer for pin	2	All	2
E5376	—	MZ59	Pillion footrest lug fixing washers	2	All	3
E3224	—	MZ60	Pillion footrest lug fixing nut	2	All	5
16249	H12/583	MZ53	Pillion footrest rubbers	2	All	2 0
16247	—	MZ58	Pillion footrest bar pin locknuts	2	All	5

ENGINE PLATES

21541	—	MZ6 & 7	Front engine plate	2	ES2, 50	1 9
15621	H12-2/522	MZ6 & 7	Front engine plate	2	88, 99	4 8
21752	—	—	Front engine plate cover	1	ES2, 50	1 0
20999	—	—	Front engine plate cover	1	88, 99	2 11
21795	—	—	Front engine plate distance piece	1	ES2, 50	6
15522	—	MZ22	Rear engine plate, R.H.	1	ES2, 50	1 5 0
50229	—	MZ22	Rear engine plate, R.H.	1	88, 99	1 7 0
21520	—	MZ24	Rear engine plate, L.H.	1	ES2, 50	1 3 0
20700	—	MZ24	Rear engine plate, L.H.	1	88, 99	1 7 0
21868	—	—	Rear engine plate cover	1	ES2, 50	1 6
21031	—	—	Rear engine plate cover	1	88, 99	5 9
19429	—	—	Rear engine plate grommet	1	ES2, 50	5
19678	—	—	Rear engine plate bolt, R.H.	1	All	9
E3223	—	—	Nut for bolt	1	All	5
E5456	—	—	Washer for bolt	1	All	3

ENGINE SPROCKET

16821	H2/473(20T)	—	Engine sprocket 20T	1	ES2	1 3 8
16819	H2/473(18T)	—	Engine sprocket 18T	1	50	1 3 8
T2180E	D12/473(21T)	A71	Engine sprocket 21T	1	88, 99	1 3 8
E3682	A2/474	A72	Engine sprocket key	1	All	3

Sprockets can be supplied as follows : Teeth Nos. 17, 18, 19, 20, 21, 22 and 23 (Twins) ; Teeth Nos. 16, 17, 18, 19, 20, 21, 22 and 23 (Singles). (State number of teeth required).

CHAINS FRONT AND REAR

18265	—	—	Front chain, 75 link	1	ES2, 50, 88	1 11 6
17835	L4/477	—	Front chain, 76 link	1	99	1 11 9
18095	—	—	Rear chain, 98 link	1	ES2, 88	2 18 0
18563	—	—	Rear chain, 97 link	1	50, 99	2 17 3
A2/480	—	—	Front chain crank link	1	All	1 5
A2/479	—	—	Front chain spring link	1	All	10
A2/482	—	—	Rear chain crank link	1	All	2 0
A2/481	—	—	Rear chain spring link	1	All	1 2

REAR CHAIN ADJUSTERS

19264	L4/666	—	Rear wheel chain adjuster bolt	2	All	1 4
E3229	—	—	Nut for bolt	2	All	5

FRAMES

21554	—	MZ2	Frame	1	ES2, 50	28 7 6
20710	—	MZ2	Frame	1	88, 99	23 7 6
18263	125AC	MZ1	Frame head lug bearing (top and bottom)	2	All	1 0 9
15631	—	—	Felt washer and bearing	2	All	5
17429	—	—	Head lug bearing washer	2	All	6
20126	—	—	Gusset plate cover	1	All	1 9
15844	H12-2/1091	MZ23	Rear mudguard and engine plate support tube	1	All	16 10
15893	—	MZ21	Rod for support tube	1	All	2 8
13459	—	MZ19	Nut for rod	2	All	6
E5377	—	MZ20	Washer for rod	2	All	3

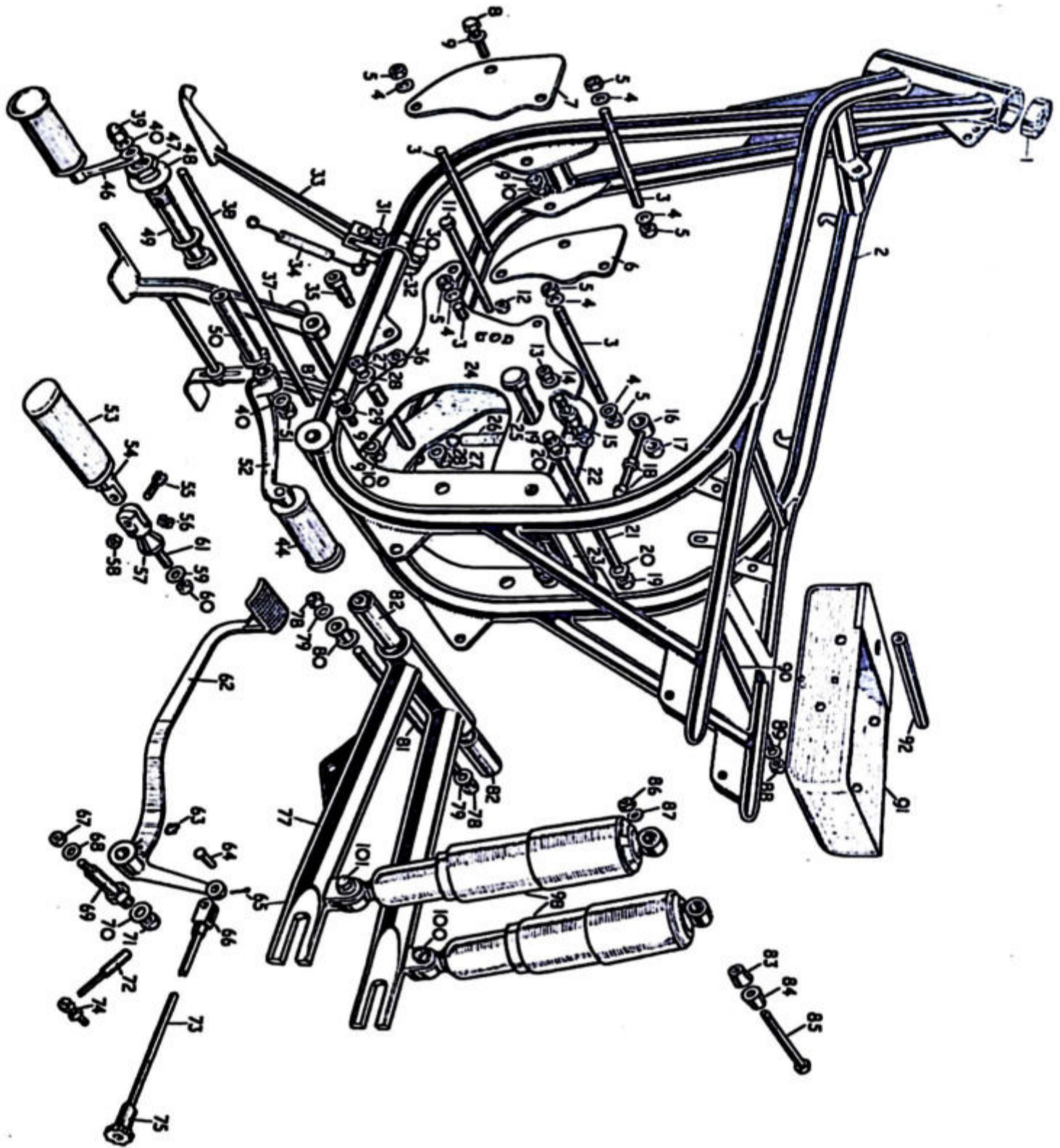


PLATE MZ

PART No.	SUPERSEDED No.	PLATE No.	DESCRIPTION	QTY.	MODEL	PRICE EACH
----------	----------------	-----------	-------------	------	-------	------------

SWINGING ARM AND FITTINGS

						£	s.	d.
P12-2/1088	—	—	Swinging arm with bushes and spacer (less rod and nuts)	1	All	7	18	2
19760	—	MZ77	Swinging arm only	1	All	6	13	10
20083	—	MZ82	Silent bloc bearing	2	All		10	2
18578	H12-2/1090	MZ80	Spacer tube for bearing	1	All		4	0
15894	—	MZ81	Swinging arm rod	1	All		5	4
15356	—	MZ78	Nut for rod	2	All			10
11809	—	MZ79	Washer for rod	2	All			3

REAR SUSPENSION AND FITTINGS

20184	—	MZ98	Rear shock absorber units	2	All	2	17	0
20198A	—	MZ98	Rear shock absorber unit (for sidecar use)	2	All	2	17	0
1704	—	MZ101	Shock absorber fixing bolt (bottom)	2	All		1	4
E3223	—	MZ100	Nut for bolt	2	All			5
11796	—	—	Washer for bolt	4	All			3

(See rear mudguard fittings for top fixing).

CENTRE STAND AND FITTINGS

17175	—	MZ37	Centre stand	1	All	1	13	9
16763	—	MZ35	Bolt for stand	2	All			11
16764	—	MZ36	Nut for bolt	2	All			5
16411	H12-2/527	MZ26	Spring for stand	1	All		2	8
14392	H12-2/1082	—	Clip for spring	1	All		1	4
E3135	—	—	Bolt for clip	1	All			10
E3223	—	—	Nut for bolt	1	All			5
E5456	—	—	Washer for bolt	2	All			3
17591	—	—	Rubber stop	1	All			7
E5278	—	—	Pin for rubber	1	All			7
19255	H12-2/491	MZ15	Anchor stud for spring	1	All		2	5
E5380	—	—	Washer for stud	2	ES2, 50			3
				1	88, 99			
E5456	—	MZ14	Washer for stud	1	88, 99			3
E3223	—	MZ13	Nut for stud	1	All			5

SIDE PROP STAND AND FITTINGS

18750	H12-2/1014	MZ33	Side prop stand leg	1	All	15		6
18275	H12-2/1092	MZ30	Side prop stand clip lug front	1	All	8		10
18605	—	MZ32	Side prop stand clip lug rear	1	All	10		2
16373	—	MZ31	Clip lug and spring fixing stud	1	All	2		8
11824	—	—	Nut for fixing stud	1	All	1		9
16374	—	—	Clip lug stud	1	All	1		4
E3224	—	—	Nut for stud	1	All			5
16174	—	—	Fulcrum pin	1	All	1		2
16176	H12-2/1015	MZ34	Prop stand return spring	1	All	2		8

FRONT MUDGUARD, STAYS AND FITTINGS

19362	L12-2/529	—	Front mudguard	1	All	17		3
19291	L122/530	—	Front mudguard stay	4	All	4		0
18710	—	—	Bolt stay to mudguard	4	All			5
18711	—	—	Washer for bolt	4	All			3
E5379	—	—	Washer for bolt	4	All			3
13192	—	—	Packing washer for bolt	4	All			3
E3229	—	—	Nut for bolt	4	All			5
18854	—	—	Bolt stay to fork end	4	All			10
11796	—	—	Washer for bolt	4	All			3
19282	L12-2/680	—	Front mudguard centre stay	1	All	4		0
18709	—	—	Bolt centre stay to mudguard	2	All			11

PART No.	SUPERSEDED No.	PLATE No.	DESCRIPTION	QTY.	MODEL	PRICE EACH
FRONT MUDGUARD, STAYS AND FITTINGS—cont.						£ s. d.
18711	—	—	Washer for bolt	2	All	3
E5379	—	—	Washer for bolt	2	All	3
11796	—	—	Washer for bolt	2	All	3
E3229	—	—	Nut for bolt	2	All	5
T1085	—	—	Stud centre stay to fork end	4	All	7
E5379	—	—	Washer for stud	4	All	3
E3229	—	—	Nut for stud	4	All	5
REAR MUDGUARD AND FITTINGS						
20159	L12-2/534	—	Rear mudguard, complete	1	All	3 11 11
20159F	—	—	Rear mudguard, front portion	1	All	2 11 11
19361R	—	—	Rear mudguard, tail portion	1	All	1 0 0
19486	L12-2/536LH	—	Lifting handle, L.H.	1	All	5 4
19487	L122/536RH	—	Lifting handle, R.H.	1	All	5 4
19432	—	—	Lifting handle and tail portion bolt	3	All	
19433	—	—	Washer for bolt	3	All	
19434	—	—	Lifting handle to mudguard bolt	2	All	6
19435	—	—	Washer for bolt	2	All	3
E3229	—	—	Nut for bolt	2	All	5
19504	—	MZ85	Shock absorber and rear mudguard bolt	2	All	1 4
18537	—	MZ83 & 84	Distance piece for bolt	2	All	1 4
E5456	—	MZ87	Washer for bolt	2	All	3
E3223	—	MZ86	Nut for bolt	2	All	5
19429	—	—	Rear mudguard grommet	2	All	7
14490	—	—	Clip for tail and stop light lead	1	All	7
12342	—	—	Mudguard fixing bolt (bottom)	2	All	6
E5379	—	—	Washer for bolt	4	All	3
E3229	—	—	Nut for bolt	2	All	5
NUMBER PLATES						
18706	K12/531	—	Front number plate	1	All	4 0
18755	—	—	Front plate rubber	1	All	11
18708	—	—	Stanchion for number plate	1	All	11
E3229	—	—	Nut for stanchion	2	All	5
E5379	—	—	Washer for stanchion	2	All	3
18712	—	—	Screw for number plate fixing	2	All	3
19343	L4/532	—	Rear number plate with cuff	1	All	16 10
20965	—	—	Beading for number plate	1	All	1 9
13053	—	—	Fixing stud for rear number plate	2	All	7
11796	—	—	Washer for stud	2	All	3
E3231	—	—	Nut for stud	2	All	
TOOL TRAY AND FITTINGS						
21016	—	MZ91	Tool tray, complete	1	All	17 3
12342	—	—	Fixing bolt for tray	4	All	6
E5379	—	—	Washer for bolt	8	All	3
E3229	—	—	Nut for bolt	4	All	5
18747	—	—	Roller bracket for tank strap	1	All	3 2
16413	—	—	Bolt for bracket	2	All	5
22090	—	—	Washer for bolt	1	All	4
17904	—	—	Washer for bolt	1	All	3
BATTERY BOX AND FITTINGS						
4084107	—	—	Battery	1	All	2 4 0
19190	L12-2/586	—	Battery box, complete	1	All	1 8 9
19189	—	—	Battery box lid	1	All	5 9
19195	—	—	Knob for lid	2	All	2 0
11796	—	—	Washer for knob	2	All	2

PART No.	SUPERSEDED No.	PLATE No.	DESCRIPTION	QTY.	MODEL	PRICE EACH
BATTERY BOX AND FITTINGS—cont.						£ s. d.
17735	—	—	Split pin for knob	2	All	1
19086	—	—	Platform for battery	1	All	2 0
19093	—	—	Battery fixing U bolt	1	All	2 0
19101	—	—	Battery retaining strap	1	All	11
E3221	—	—	Nut for U bolt	2	All	5
17707	—	—	Washer for bolt	2	All	2
15689	—	—	Rubber grommet	1	All	7
14481	—	—	Battery box top fixing bolt	1	All	9
E5379	—	—	Washer for bolt	3	All	3
E3229	—	—	Nut for top fixing bolt	1	All	5
19092	—	—	Battery box bottom fixing bolt	2	All	6
E5456	—	—	Washer for bolt	2	All	3
DUAL SEAT AND FITTINGS						
70123	—	—	Dual seat	1	All	7 8 7
8052	—	—	Washers for wing nut	2	All	3
16765	—	—	Seat fixing wing nut	2	All	2 0
18538	—	—	Sorbo strip	2	All	3 4
15857	—	—	Fixing strap grommet	2	All	7
16237	H12-2/289	—	Mounting rubbers	2	All	3 4
SPEEDOMETER AND FITTINGS						
B2/555	—	—	Speedometer fixing bracket	1	All	2 0
B2/556	—	—	Speedometer fixing bracket locknut... ..	2	All	5
B2/557	—	—	Speedometer fixing bracket washer	2	All	3
19364	L4/545	—	Speedometer head (120 m.p.h.)	1	All	4 10 0
19367	L4/552	—	Speedometer cable, complete	1	All	1 2 6
L4/554	—	—	Inner cable	1	All	11 3
L4/553	—	—	Outer cable	1	All	11 3
19366	L4/546	—	Speedometer drive gear box	1	All	1 17 6
19365	—	—	Speedometer head (180 k.p.h.)	1	All	4 10 0
B2/681	—	—	Speedometer rubber ring	1	All	7
ELECTRIC HORN AND FITTINGS						
70140A	—	—	Electric horn	1	All	1 16 0
E3229	—	—	Fixing bolt nut	2	88, 99	5
E5379	—	—	Fixing bolt washer	2	88, 99	3
20155	—	—	Fixing plate, tapped	1	ES2, 50	1 9
HEADLAMP AND FITTINGS						
58124B	—	—	Headlamp, less harness (state colour)	1	88, 99	6 15 0
58374A	—	—	Headlamp, less harness (state colour)	1	ES2, 50	6 15 0
555309	—	—	Headlamp light unit	1	All	16 0
554602	—	—	Headlamp bulb holder (main)	1	All	4 6
554710	—	—	Headlamp bulb holder (pilot)	1	All	3 0
54940852	—	—	Headlamp cable harness	1	All	16 0
31443A	—	—	Headlamp switch	1	All	1 15 0
318346	—	—	Headlamp switch handle	1	All	2 9
319333	—	—	Headlamp switch screw	1	All	1 3
318341	—	—	Headlamp switch key	1	All	9
318323	—	—	Switch lever grommet	1	All	6
553248	—	—	Headlamp shell rim or door	1	All	15 0
36084F	—	—	Ammeter	1	All	10 0
523986	—	—	Ammeter rubber sealing ring... ..	1	All	6
397092	—	—	Headlamp "Lucas" medallion	1	All	1 9
517238	—	—	Headlamp shell only (black)	1	All	2 0 0
517248	—	—	Headlamp shell only (blue)	1	88, 99	2 2 6
54520300	—	—	Headlamp shell only (green), (standard)	1	ES2, 50	2 2 6
517237	—	—	Headlamp shell only (grey), (standard)	1	88, 99	2 0 0

PART No.	SUPERSEDED No.	PLATE No.	DESCRIPTION	QTY.	MODEL	PRICE EACH
HEADLAMP AND FITTINGS—cont.						£ s. d.
517247	—	—	Headlamp shell only (red)	1	88, 99	2 2 6
112201	—	—	Headlamp fixing bolts	2	All	2 9
137499	—	—	Headlamp fixing bolts, washers	2	All	2
31563A	—	—	Dipper and horn switch	1	All	10 6
18733	—	—	Dipper and horn switch rubber	1	All	10
18734	—	—	Dipper and horn switch fixing screws	2	All	3
STOP LAMP AND FITTINGS						
53432B	—	—	Stop and tail lamp complete (Mod. 564)	1	All	1 2 6
573839	—	—	Stop and tail lamp lens	1	All	4 6
575200	—	—	Stop and tail lamp window	1	All	2 3
575219	—	—	Lens fixing nuts... ..	2	All	6
166014	—	—	Stop and tail lamp fixing nut	2	All	
188327	—	—	Washers for nut	2	All	
20165	31383A/B	—	Stop lamp switch (Model 22B)	1	All	7
20129	—	—	Stop lamp switch bracket	1	All	1 9
E5278	—	—	Bracket pins	2	All	7
17904	—	—	Washer for pins	4	All	3
E3221	—	—	Nut for pins	2	All	5
20248	—	—	Stop lamp brake switch lead	1	All	1 9
20245	—	—	Stop tail lamp lead	1	All	1 6
TOOL KITS						
KTU/102	—	—	Tool roll complete with tools Kit comprises :	1	ES2, 50	1 15 2
			SPU/103 Tapper spanners	(2)		
			A2/567 Screwdriver	(1)		
			A2/565 $\frac{1}{2}$ " \times $\frac{3}{16}$ " spanner	(2)		
			A2/572 Pliers	(1)		
			A2/573 Tyre levers... ..	(2)		
			SBU2/88 Plug spanner	(1)		
			SBU2/76 $\frac{7}{16}$ " \times $\frac{1}{2}$ " box spanner	(1)		
			A2/581 T/bar, $\frac{5}{16}$ " \times $6\frac{1}{2}$ "	(1)		
			TBU/47 T/bar, $\frac{7}{16}$ " \times 8 "	(1)		
			A2/566 $\frac{5}{16}$ " \times $\frac{3}{8}$ " spanner	(1)		
			A2/578 Cable adjuster spanner	(1)		
			19438 Allen Key	(1)		
			20648 Wheel nut box spanner	(1)		
			18976 S/A adj. spanner	(1)		
			21267 Screwdriver (for contact breaker... ..	(1)		
			TRU/39 Bag	(1)		
KTU/103	—	—	Tool roll complete with tools Kit comprises :	1	88, 99	1 10 8
			TRU/39 Bag	(1)		
			A2/567 Screwdriver	(1)		
			A2/565 $\frac{1}{2}$ " \times $\frac{3}{16}$ " spanner	(1)		
			A2/572 Pliers	(1)		
			A2/573 Tyre levers... ..	(2)		
			SBU2/88 Plug spanner	(1)		
			SBU2/76 $\frac{7}{16}$ " \times $\frac{1}{2}$ " box spanner	(1)		
			A2/581 T/bar, $\frac{5}{16}$ " \times $6\frac{1}{2}$ "	(1)		
			TBU/47 T/bar, $\frac{7}{16}$ " \times 8 "	(1)		
			A2/566 $\frac{5}{16}$ " \times $\frac{3}{8}$ " spanner	(1)		
			19438 Allen key	(1)		
			20648 Wheel nut box spanner	(1)		
			18976 S/A adj. spanner	(1)		

PART No.	SUPERSEDED No.	PLATE No.	DESCRIPTION	QTY.	MODEL	PRICE EACH
TOOL KITS—cont.						£ s. d.
		21267	Screwdriver for distributor ...	(1)		
		D12/568	Rocker adjuster spanner ...	(1)		
18240	—	—	Tyre inflator ...	1	All	7 6

N.B.—For prices of individual tools, also available extra tools and service tools, see list of optional equipment.

GASKET SETS

D12/1062	—	—	Engine overhaul set ...	A.R.	88, 99	1 1 0
D12/1063	—	—	Engine de-coke set ...	A.R.	88, 99	10 5
M4/1062	—	—	Engine de-coke and overhaul set ...	A.R.	E.S.2	8 6
M13/1062	—	—	Engine de-coke and overhaul set ...	A.R.	50	8 6

PAINT

Synthetic, Air Drying Enamel is available for touching up in the following colours : GREY, GREEN, RED and BLUE.

—	—	—	Small tins ...			4 0
—	—	—	Half-pint tins ...			8 0
—	—	—	1 Pint tins ...			15 0
—	—	—	1 Gallon tins ...			4 4 0

TRANSFERS

21467	—	—	Oil tank transfer (recommended oil level) ...	1	All	1 6
17731	A2/867	—	Oil bath transfer ...	1	All	1 6
19555	—	—	Rear mudguard transfer ...	1	ES2	1 6
19557	—	—	Rear mudguard transfer ...	1	50	1 6
19558	—	—	Rear mudguard transfer ...	1	88	1 6
19559	—	—	Rear mudguard transfer ...	1	99	1 6

CABLE CLIPS

19091	—	—	Cable clip (size C), (speedo cable to frame) ...	1	All	5
17752	—	—	Cable clip (size S), (stop and tail leads) ...	13	All	7
9090	—	—	Cable clip (size F), (throttle, air and clutch cables to frame) ...	2	All	5
18489	—	—	Cable clip (size D), (throttle and air cables, handlebar end) ...	1	All	5

N.B.—Norton Motors Ltd. reserve the right to alter prices and specifications at all times and without notice.

OPTIONAL EQUIPMENT

MODELS 88, 99, E.S.2 and 50

AND SERVICE TOOLS

(for all Models)

PART No.	SUPERSEDED No.	PLATE No.	DESCRIPTION	QTY.	MODEL	PRICE EACH
Standard Models 88/99 fitted with large inlet valve twin carburettors and high compression pistons						
						£ s. d.
21325A	—	—	Polished cylinder head complete with guides and large inlet valve seat insert	1	88, 99	20 2 6
17221	—	—	Inlet valve	2	88, 99	1 0 8
18542A	—	—	Inlet manifold (for dual carburettor fixing)	1	88, 99	1 17 2
18035	—	—	Inlet manifold to head fixing stud ...	4	88, 99	7
T2221	—	—	Inlet manifold to head fixing washer ...	4	88, 99	3
13145	—	—	Inlet manifold to head fixing stud nut ...	4	88, 89	3
21572	—	—	Inlet manifold distance piece	2	88, 89	3 4
376/66	22112	—	Carburettor, complete	2	88	4 15 0
376/67	22113	—	Carburettor, complete	2	99	4 15 0
20344	—	—	Carburettor fixing stud (to manifold) ...	2	88, 99	7
11796	—	—	Carburettor fixing stud washer	2	88, 89	3
E3231	—	—	Carburettor fixing stud nut	2	88, 89	5
244/1409	22545	—	Dual air control cable complete (standard bars)	1	88, 99	17 0
22544	—	—	Dual air control cable, complete (American bars)	1	88, 89	17 0
244/1410	22543	—	Dual throttle control cable, complete (American and standard bars) ...	1	88, 89	17 0
244/104	—	—	Dual air and throttle cable control barrel	2	88, 99	8
22111	—	—	Petrol pipe assembly	1	88, 99	8
T2233/C	L12-2/702HC	—	Piston complete, L.H., 9-1 compression ratio	1	88	3 8 0
T2234/C	L12-2/702HC	—	Piston complete, R.H., 9-1 compression ratio	1	88	3 8 0
22522	—	—	Piston bare, L.H., 9-1 compression ratio	1	88	2 5 6
22523	—	—	Piston bare, R.H., 9-1 compression ratio	1	88	2 5 6
22508	—	—	Piston ring compression, 9-1 compression ratio	4	88	3 9
22509	—	—	Piston ring scraper, 9-1 compression ratio	2	88	5 2
21339	—	—	Piston complete, L.H., 9-1 compression ratio	1	99	2 6 3
21340	—	—	Piston complete, R.H., 9-1 compression ratio	1	99	2 6 3
21577LH	—	—	Piston bare, L.H., 9-1 compression ratio	1	99	1 3 9
21577RH	—	—	Piston bare, R.H., 9-1 compression ratio	1	99	1 3 9

PART No.	SUPERSEDED No.	PLATE No.	DESCRIPTION	QTY.	MODEL	PRICE EACH
OPTIONAL EQUIPMENT—cont.						£ s. d.
22518	—	—	Piston complete, L.H., 8-1 compression ratio	1	99	2 17 6
22519	—	—	Piston complete, R.H., 8-1 compression ratio	1	99	2 17 6
22520	—	—	Piston bare, L.H., 8-1 compression ratio	1	99	1 15 0
22521	—	—	Piston bare, R.H., 8-1 compression ratio	1	99	1 15 0
21579	—	—	Piston ring compression, 8-1 and 9-1 compression ratio	4	99	3 9
21578	—	—	Piston ring scraper, 8-1 and 9-1 compression ratio	2	99	5 2
21580	—	—	Gudgeon pin (all ratios)	2	88, 99	9 2
21581	—	—	Gudgeon pin circlip (all ratios)	4	88, 99	4

REVOLUTION COUNTER AND FITTINGS

18245RC	—	—	Timing cover (for rev counter fitting)	1	88, 99	3 4 3
15379	—	—	Timing cover blanking plate	1	88, 99	3 4
18506	—	—	Timing cover blanking plate fixing screws	2	88, 99	10
18507	—	—	Timing cover blanking plate fixing screws, nuts	2	88, 99	5
D12/915	—	—	Timing cover pressure release valve, complete	1	88, 99	16 10

N.B.—This pressure release valve will be required when rev counter timing covers are fitted to models 88 and 99 subsequent to 1957).

22548	A11M/545	—	Rev counter instrument	1	88, 99	4 0 0
13243	A11M/555	—	Rev counter instrument bracket	1	88, 99	5 4
13249	A11M/858	—	Rev counter instrument retaining cup	1	88, 99	5 4
13250	A11M/681	—	Rev counter rubber washer	1	88, 99	2 8
A11M/556	—	—	Rev counter fixing nut	2	88, 99	5
A11M/557	—	—	Rev counter fixing nut washer	2	88, 99	3
18512	A11M/552	—	Rev counter drive cable	1	88, 99	17 6
18514	A11M/546	36362	Rev counter gearbox	1	88, 99	2 7 6
17211	—	—	Rev counter gearbox drive nut	1	88, 99	6 8
18506	—	—	Rev counter gearbox attachment pins	2	88, 99	10
18507	—	—	Rev counter gearbox attachment pins, nuts	2	88, 99	5
21064	—	—	Rev counter cable clip	1	88, 99	6

FULL ENCLOSURE REAR CHAINCASE

RCC/7	—	—	Enclosed rear chaincase complete with all fittings. (STATE COLOUR)	1	All	4 19 5
19734	—	—	Rear chaincase, top half	1	All	} 4 10 6
19735	—	—	Rear chaincase, bottom half	1	All	
22022	—	—	Rear chaincase fixing screw	4	All	10
19435A	—	—	Rear chaincase fixing screw washer	8	All	6
22135	—	—	Rear chaincase inspection hole grommet	1	All	1 2
18285	—	—	Rear chaincase breather pipe grommet	1	All	5

CRASH BARS

CBK/10F	—	—	Front crash bar (full loop type) assembly complete	1	All	3 7 6
19095	—	—	Front crash bar (full loop type)	1	All	3 1 8
21638	—	—	Front crash bar top fixing plate	1	All	2 0
19063	—	—	Front crash bar U bolt	1	All	3 0
E3223	—	—	Front crash bar U bolt nut	2	All	5
CBK/10R	—	—	Rear crash bars, complete with all fittings	1	All	per set 3 17 6

PART No.	SUPERSEDED No.	PLATE No.	DESCRIPTION	QTY.	MODEL	PRICE EACH
CRASH BARS—cont.						£ s. d.
19066	—	—	Rear crash bar, L.H.	1	All	1 14 0
19067	—	—	Rear crash bar, R.H.	1	All	1 14 0
19062	—	—	Rear crash bar fixing stud	2	All	1 9
16883	—	—	Rear crash bar fixing clip	2	All	1 0
15703	—	—	Rear crash bar fixing bolt	2	All	1 4
E5376	—	—	Rear crash bar fixing bolt washer	2	All	3
E3224	—	—	Rear crash bar fixing bolt nut	2	All	5
20123A	—	—	Dual seat complete (Required where rear crash bars are fitted).	A.R.	All	7 8 7
AIR CLEANERS						
18684	K12-2/1058	—	Air cleaner	1	50, ES2	2 14 1
18484	—	—	Air cleaner clip	1	50, ES2	2 4
18685	K12/1059	—	Air cleaner sleeve (State coloured required).	1	50, ES2	6 8
19667	—	—	Air cleaner	1	88, 99	2 14
19518	—	—	Air cleaner connecting hose	1	88, 99	4 0
19729	—	—	Air cleaner connecting hose clip	1	88, 89	11
E5379	—	—	Air cleaner fixing washer	2	88, 99	3
E3229	—	—	Air cleaner fixing pin nut (State colour required).	2	88, 99	5
FOLDING KICKSTART CRANK						
20592	—	—	Crank for folding kickstarter	1	All	1 6 0
19075	—	—	Pedal for folding kickstarter	1	All	10 2
E6706	—	—	Pedal pivot bolt	1	All	11
E3154	—	—	Clinch bolt for crank	1	All	10
A2/308	—	—	Washer for bolt	1	All	3
CHROMIUM MUDGUARDS						
19362CH	L12-2/529CH	—	Front mudguard	1	All	2 0 3
19291CH	L12-2/530CH	—	Front mudguard side stay	4	All	8 8
19282CH	L12-2/680CH	—	Front mudguard centre stay	1	All	8 8
20159CH	L12-2/534CH	—	Rear mudguard, complete	1	All	4 12 0
20159F CH	—	—	Rear mudguard, front portion	1	All	3 9 0
19361R CH	—	—	Rear mudguard, rear portion	1	All	1 3 0
19487CH	L12-2/536R CH	—	Rear mudguard lifting handle, R.H.	1	All	14 0
19486CH	L12-2/536L CH	—	Rear mudguard lifting handle, L.H.	1	All	14 0
MISCELLANEOUS SECTION						
T2180D/20T	D12/473	—	Engine sprocket 20T (Recommended for model 99 when twin carburettors are fitted).	1	99	1 3 8
18304	—	—	Sparking plug (F.E. 100 single point)... (Required for engines where twin carburettors are fitted).	2	88, 99	5 0
18698	—	—	Sparking plug (F.E. 70) (For running in purposes only when twin carburettors are fitted).	2	88, 99	5 0
SCK/3	—	—	Conversion kit for sidecar purposes ... N.B.—This kit includes all necessary parts for sidecar conversion including, sidecar trail crown and column, heavyweight springs, engine sprocket, rear S/A units, etc., etc.		All	16 13 0

Please state colour of machine, model and type of sidecar, i.e. light or heavy.

PART No.	SUPERSEDED No.	PLATE No.	DESCRIPTION	QTY.	MODEL	PRICE EACH
MISCELLANEOUS SECTION—cont-						£ s. d.
16390	—	—	Clip-on handlebars (Manx dropped type)	1 pr.	All	6 0 9
22460	—	—	Handlebars (American type)	1	All	2 0 3
20590	—	—	Front brake cable complete with adj. and nipples (for American bars) ...	1	All	10 6
22546	—	—	Clutch cable complete (for American bars)	1	All	7 0
21988	—	—	Compression plate	A.R.	ES2	2 8
TOOLS						
SPU1/49	—	—	Head lug bearing and filler cap spanner	A.R.	All	4 6
DWU/01	A2/567	—	Screwdriver	A.R.	All	1 4
SPU2/02	A2/565	—	$\frac{1}{2}$ " \times $\frac{3}{8}$ " Spanner	A.R.	All	1 9
SHU/29	A3/579	—	Exhaust pipe nut spanner	A.R.	All	4 4
LTU/07	A2/573	—	Tyre lever	A.R.	All	1 6
SBU2/88	—	—	Sparking plug spanner	A.R.	All	2 2
SBU2/76	—	—	$\frac{7}{8}$ " \times $\frac{1}{2}$ " Box spanner	A.R.	All	3 3
TBU/01	A2/581	—	Tommy bar, $\frac{5}{16}$ " \times $6\frac{1}{2}$ "	A.R.	All	7
TBU/47	—	—	Tommy bar, $\frac{7}{16}$ " \times 8 "	A.R.	All	1 2
SPU2/20	D12/568	—	Rocker adjusting spanner	A.R.	88, 99	per pair 2 8
SPU2/04	A2/566	—	$\frac{5}{16}$ " \times $\frac{3}{8}$ " Open ended spanner	A.R.	All	2 6
SPU1/01	A2/578	—	Cable adjuster spanner	A.R.	All	1 5
19438	—	—	Allan key	A.R.	All	1 2
20648	—	—	Box spanner for rear wheel nuts	A.R.	All	1 11
18976	—	—	Shock absorber adjusting spanner	A.R.	All	1 6
13685	B2/685	—	Fork pull through	A.R.	All	7 6
18240	—	—	Tyre inflator	A.R.	All	7 6
21267	—	—	Screwdriver (for distributor contact points)	A.R.	All	9
PEU/06	A2/572	—	Pliers (6")	A.R.	All	5 9
SPU/103	—	—	Tappet adjusting spanners	A.R.	ES2, 50	per pair 2 8
SPU1/48	—	—	Crown and column locknut spanner	A.R.	All	4 6
SHU/36	—	—	Fork abutment spanner	A.R.	All	4 0
A2/575	—	—	Grease gun	A.R.	All	8 0
SBU2/77	—	—	Short box spanner, $\frac{5}{16}$ "	A.R.	All	2 0

N.B.—For prices of complete tool kits and contents of same, see pages 36 and 37.

SERVICE TOOLS (ALL MODELS)

SBU1/74	—	—	Cylinder head box spanner (long) ...	A.R.	7, 77, 88, 99	2 6
SBU1/02	—	—	Cylinder head box spanner (short) ...	A.R.	7, 77, 88, 99	2 0
CBT/11	—	—	Clutch body withdrawal tool	A.R.	All	10 6
EST/12	—	—	Engine sprocket extractor (500/600 twins and all singles)	A.R.		1 2 6
R.1745	—	—	Crankpin nut box spanner (1954/9 Model 30, Manx)	A.R.		1 15 0
R.2048	—	—	Crankpin nut box spanner (1954/9 Model 40, Manx)	A.R.		1 10 0
SPU1/30	—	—	V/S nut spanner (30 and 40, Inter) ...	A.R.		4 6
SBU1/114	—	—	Engine shaft nut spanner. (1954, 30 and 40 Manx onwards)	A.R.		7 6
13685	B2/685	—	Fork pull through	A.R.		7 6
ET/2003	—	—	H.T. pinion extractor all models ...	A.R.		1 2 6
12068	—	—	Crankpin nut spanner	A.R.	ES2, 50	2 10 0
12093	—	—	Gearbox axle sprocket box spanner ...	A.R.		10 0
EST/12A	—	—	Extension for removing camshaft sprocket	A.R.	88, 99	3 0
			(For use with sprocket extractor EST/12).			