



# Replacement parts list 1972

## 750 cm<sup>3</sup> model

Publication Ref.  
00-5731



---

## **Replacement parts list**

### **750cm<sup>3</sup> model**

---

## **A75 Rocket 3**

### **Commencing**

**Engine number            JG.00101    A75R**

**Frame number            JG.00101    A75R**

**This parts list also covers 1971 models and supersedes  
publication 00-5723**

Issued by  
**B.S.A. Motor Cycles Limited**  
Spares Department,  
Montgomery Street,  
Birmingham B11 1DZ.  
Telephone: 021 - 772 0559/0537  
Telegrams: "Selmoto" Birmingham

**B.S.A. Motor Cycles Limited**  
Registered Office and Works:  
Armoury Road, Birmingham B11 2PX.  
Telephone: 021 - 772 2381. Telex: 33315  
Telegrams and Cables:  
"Selmoto" Birmingham

1972 Publication  
Ref. 00-5731

Printed in England  
by B.S.A. Press

# Please Note!

**Replacement parts or accessories must be of B.S.A. origin or as approved by B.S.A. Motor Cycles Ltd.**

**In this respect your attention is drawn to the Terms and Conditions of B.S.A. Guarantee.**

## SUFFIX NUMBERS TO BE USED TO IDENTIFY VARYING FINISHES

When ordering components with varying finishes, please state finish required by adding the APPROPRIATE SUFFIX TO THE PART NUMBER.

EXAMPLE: Fuel tank — Burgundy 82-8391/358

### FUEL TANKS

Chromed, Burgundy sides, Gold lining	..	..	..	..	..	..	..	..	..	..	..	..	..	..	/357
Burgundy	..	..	..	..	..	..	..	..	..	..	..	..	..	..	/358

### SIDECOVER, left

Burgundy top, black bottom	..	..	..	..	..	..	..	..	..	..	..	..	..	..	/359
----------------------------	----	----	----	----	----	----	----	----	----	----	----	----	----	----	------

### SIDECOVER, right

Burgundy	..	..	..	..	..	..	..	..	..	..	..	..	..	..	/358
----------	----	----	----	----	----	----	----	----	----	----	----	----	----	----	------

### OTHER PARTS

Grey	..	..	..	..	..	..	..	..	..	..	..	..	..	..	/288
Silver sheen	..	..	..	..	..	..	..	..	..	..	..	..	..	..	/307
Chrome	..	..	..	..	..	..	..	..	..	..	..	..	..	..	/003

### PRICES

No price codes are given in this list. For prices please refer to the latest edition of the Master Price List.

Details of thread forms and sizes are quoted after the description of nuts, bolts, screws, studs and washers. Such as: 14-0102 Bolt ( $\frac{1}{4}$ " UN.F.  $\times$   $\frac{5}{8}$ " ) =  $\frac{1}{4}$ " diameter unified fine thread,  $\frac{5}{8}$ " long under head.

### ABBREVIATIONS (Screw Threads)

B.A.	=	British Association
B.S.C.	=	British Standard Cycle
B.S.F.	=	British Standard Fine
W.F.	=	Whitworth Form
UN.F.	=	Unified Fine
UN.C.	=	Unified Coarse
UN.S.	=	Unified Special



**BRAKES (Lockheed)**

Automotives Products Co. Ltd., P.O. Box 14, Southam Road, Banbury, Oxfordshire.

**CARBURETTORS**

Amal Ltd., Holdford Road, Witton, Birmingham 6.

**CHAINS**

Renolds, Wythenshawe, Manchester.

**ELECTRICAL EQUIPMENT**

Joseph Lucas Ltd., Great Hampton Street, Birmingham 18.

**SUSPENSION UNITS**

Girling Ltd., Birmingham Road, West Bromwich, Staffordshire.

**SPARKING PLUGS**

Champion Sparking Plug Co. Ltd., Feltham, Middlesex.

**SPEEDOMETERS**

Smith's Industries Ltd., Motor Accessory Division, 50 Oxgate Lane, Cricklewood, London N.W.2.

**TYRES**

Dunlop Co. Ltd., Fort Dunlop, Birmingham 24.

**ASSEMBLIES COMPLETE**

---

<b>Spares No.</b>	<b>Description</b>
00-7009	B.S.A. LOCTITE PLASTIC GASKET (10 bottle trade pack).
00-7007	B.S.A. LOCTITE (10 tube trade pack).
00-3172	TOP OVERHAUL GASKET SET.
00-3315	FULL OVERHAUL GASKET SET.
00-3466	PISTON RING SET (standard).
00-3468	PISTON RING SET (.010" oversize).
00-3469	PISTON RING SET (.020" oversize).
00-3470	PISTON RING SET (.040" oversize).
70-7951	ENGINE UNIT — less carburetters and exhaust system.
71-1351	OIL PUMP.
19-7800	CLUTCH ASSEMBLY.
57-3871	PRIMARY DRIVE SHOCK ABSORBER ASSEMBLY.
71-2422	CRANKCASE COMPLETE (left, centre and right).
83-3262	FRAME.
83-3243	SWINGING ARM WITH BUSHES.
97-4340	FRONT FORK COMPLETE.
37-3848	FRONT HUB WITH SPINDLE AND BEARINGS.
37-3846	FRONT WHEEL WITH SPINDLE AND BEARINGS.
37-3935	FRONT BRAKE ANCHOR PLATE WITH BRAKE.
37-3900	REAR HUB WITH SPINDLE AND BEARINGS.
37-3899	REAR WHEEL WITH SPINDLE AND BEARINGS.
37-3955	REAR BRAKE ANCHOR PLATE WITH BRAKE

---

## PISTON CHART

### PISTON COMPLETE

Compression Ratio	Standard	+·010"	+·020"	+·040"
9 : 1	70-9741	70-9762	70-9763	70-9764

### PISTON RINGS (Standard)

Compression	Scraper	Set Number
70-6838 (6)	70-9739 (3)	00-3466

### PISTON RINGS (+·010")

70-9016 (6)	70-9766 (3)	00-3468
-------------	-------------	---------

### PISTON RINGS (+·020")

70-9017 (6)	70-9767 (3)	00-3469
-------------	-------------	---------

### PISTON RINGS (+·040")

70-9018 (6)	70-9768 (3)	00-3470
-------------	-------------	---------

## CARBURETTERS

Location	Spares No.	Amal No.	Main Jet	Throttle Slide	Needle Jet	Needle Position
Right Centre Left	19-2433 19-2434 19-2435	R.626/47 R.626/49 L.626/48	150	3½	·106	2



## STEERING LOCK AND KEY

Lock No.	Key No.	Lock No.	Key No.	Lock No.	Key No.
EJR 1	19-5151	EJR 18	19-5168	EJR 35	19-5185
EJR 2	19-5152	EJR 19	19-5169	EJR 36	19-5186
EJR 3	19-5153	EJR 20	19-5170	EJR 37	19-5187
EJR 4	19-5154	EJR 21	19-5171	EJR 38	19-5188
EJR 5	19-5155	EJR 22	19-5172	EJR 39	19-5189
EJR 6	19-5156	EJR 23	19-5173	EJR 40	19-5190
EJR 7	19-5157	EJR 24	19-5174	EJR 41	19-5191
EJR 8	19-5158	EJR 25	19-5175	EJR 42	19-5192
EJR 9	19-5159	EJR 26	19-5176	EJR 43	19-5193
EJR 10	19-5160	EJR 27	19-5177	EJR 44	19-5194
EJR 11	19-5161	EJR 28	19-5178	EJR 45	19-5195
EJR 12	19-5162	EJR 29	19-5179	EJR 46	19-5196
EJR 13	19-5163	EJR 30	19-5180	EJR 47	19-5197
EJR 14	19-5164	EJR 31	19-5181	EJR 48	19-5198
EJR 15	19-5165	EJR 32	19-5182	EJR 49	19-5199
EJR 16	19-5166	EJR 33	19-5183	EJR 50	19-5200
EJR 17	19-5167	EJR 34	19-5184		



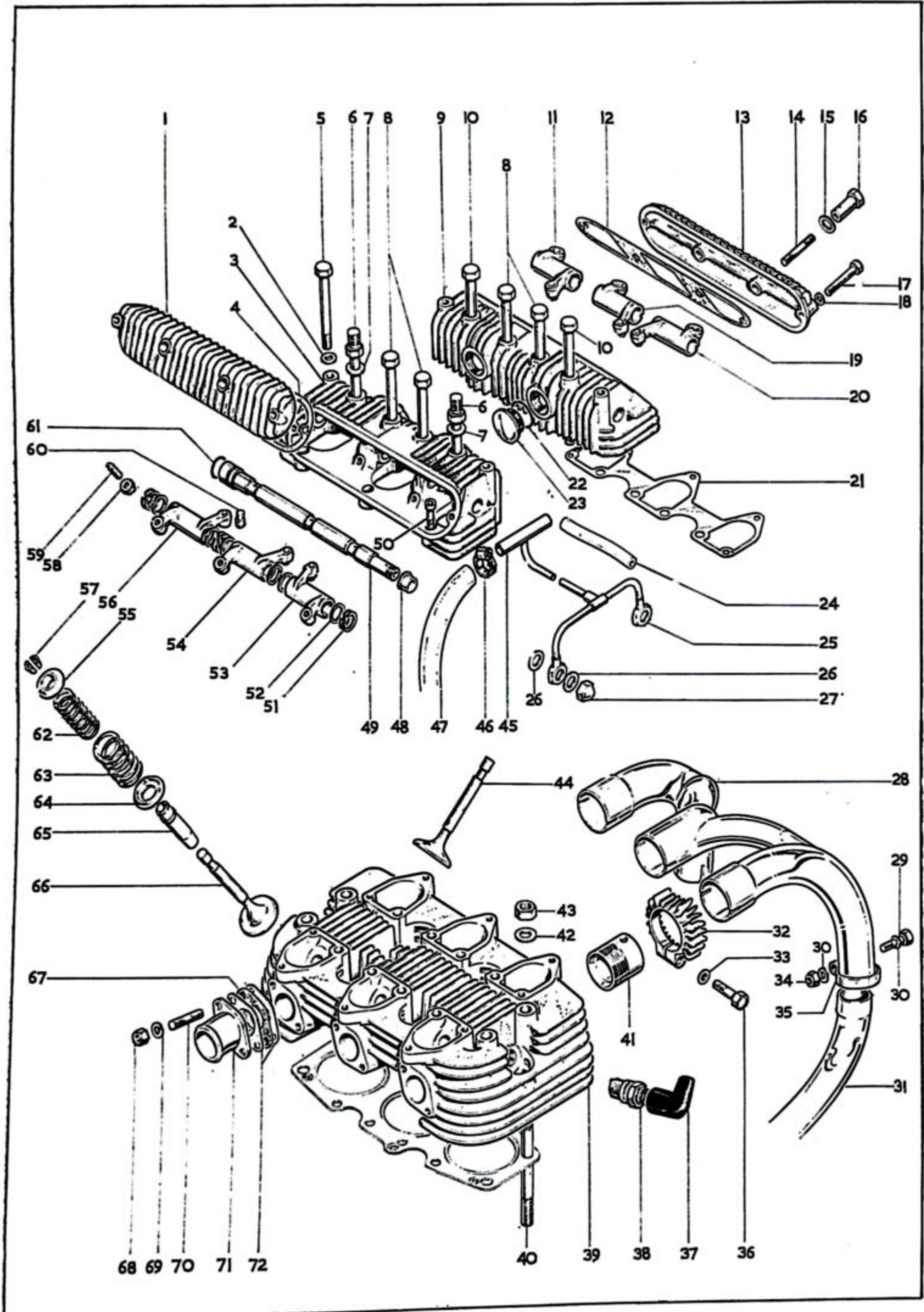
## INDEX

		Page
	<b>Assemblies Complete</b> .. .. .	<b>5</b>
	<b>Piston Chart</b> .. .. .	<b>6</b>
	<b>Carburettors</b> .. .. .	<b>6</b>
	<b>Steering Lock and Key</b> .. .. .	<b>7</b>
<b>Plate 1</b>	<b>Cylinder Head — Rocker Boxes — Exhaust Pipes</b> .. .. .	<b>10 - 13</b>
<b>Plate 2</b>	<b>Cylinder — Pistons — Crankshaft</b> .. .. .	<b>14 - 15</b>
<b>Plate 3</b>	<b>Crankcase — Timing Gears — Oil Filters</b> .. .. .	<b>16 - 21</b>
<b>Plate 4</b>	<b>Inner Primary Cover — Oil Pump</b> .. .. .	<b>22 - 23</b>
<b>Plate 5</b>	<b>Clutch</b> .. .. .	<b>24 - 25</b>
<b>Plate 6</b>	<b>Outer Primary Cover — Chain Tensioner — Clutch Control</b> ..	<b>26 - 27</b>
<b>Plate 7</b>	<b>Gearbox (4-speed)</b> .. .. .	<b>28 - 31</b>
<b>Plate 8</b>	<b>Gearbox (5-speed)</b> .. .. .	<b>32 - 33</b>
<b>Plate 9</b>	<b>Gearbox Cover — Gearchange — Kickstart</b> .. .. .	<b>34 - 35</b>

**INDEX—continued**

	<b>Page</b>
Plate 10 <b>Frame and Fittings</b> ..    ..    ..    ..    ..    ..	<b>36 - 39</b>
Plate 11 <b>Swinging Arm — Centre Stand — Prop Stand</b> ..    ..	<b>40 - 41</b>
Plate 12 <b>Front Fork</b> ..    ..    ..    ..    ..    ..    ..    ..	<b>42 - 45</b>
Plate 13 <b>Front Wheel</b> ..    ..    ..    ..    ..    ..    ..	<b>46 - 47</b>
Plate 14 <b>Rear Wheel</b> ..    ..    ..    ..    ..    ..    ..	<b>48 - 49</b>
Plate 15 <b>Mudguards — Chainguard — Number Plates</b> ..    ..    ..	<b>50 - 51</b>
Plate 16 <b>Handlebar — Dual Seat — Sidepanels — Silencers</b> ..    ..	<b>52 - 55</b>
Plate 17 <b>Toolbox — Battery Carrier — Air Cleaner</b> ..    ..    ..	<b>56 - 57</b>
Plate 18 <b>Oil Tank — Oil Cooler — Oil Pipes</b> ..    ..    .    ..	<b>58 - 59</b>
Plate 19 <b>Fuel Tank</b> ..    ..    ..    ..    ..    ..    ..    ..	<b>60 - 61</b>
Plate 20 <b>Electrical Equipment (Part 1)</b> ..    ..    ..    ..    ..	<b>62 - 65</b>
Plate 21 <b>Electrical Equipment (Part 2)</b> ..    ..    ..    ..    ..	<b>66 - 67</b>
Plate 22 <b>Carburettors — Throttle Linkage</b> ..    ..    ..    ..	<b>68 - 71</b>
Plate 23 <b>Tools</b> ..    ..    ..    ..    ..    ..    ..    ..	<b>72 - 73</b>

**Plate 1**





**Plate 1**

**CYLINDER HEAD — ROCKER BOXES — EXHAUST PIPES**

Key No.	Spares No.	Description	Per Set
1	70-6563	Cover — inlet rocker box .. .. .	1
2	54-9081	Washer — rocker box to cylinder head (.281" × .563" × .078") .. .. .	4
3	70-6561	Rocker box — inlet .. .. .	1
5	14-6211	Bolt — rocker box to cylinder head (¼" UN.C. × 3") .. .. .	4
6	71-0280*	Bolt — rocker box and engine steady (⅜"/16" UN.F. × 4½") .. .. .	2
7	70-9240	Washer — rocker box bolt (.328" × .625" × .094") .. .. .	8
8	70-8820*	Bolt — rocker box to barrel (short) .. .. .	4
9	70-6562	Rocker box — exhaust .. .. .	1
10	70-8819*	Bolt — rocker box to barrel (long) .. .. .	2
11	71-1290	Rocker — exhaust (left) .. .. .	1
12	71-1445	Gasket — rocker box cover .. .. .	1
13	70-6564	Cover — exhaust rocker box .. .. .	1
14	14-1401	Stud — rocker box cover (¼" UN.C./UN.F. × 1½") .. .. .	4
15	70-9239	Washer — rocker box cover fixing nut (.390" × .566" × .064") .. .. .	4
16	70-9237	Sleeve nut — rocker box cover fixing .. .. .	4
17	14-0202	Bolt — rocker box cover (¼" UN.F. × 1½") .. .. .	4
18	54-9081	Washer — rocker box cover (.281" × .563" × .078") .. .. .	4
19	71-1288	Rocker — exhaust (centre) .. .. .	1
20	71-1287	Rocker — exhaust (right) .. .. .	1
21	70-8773	Gasket — rocker box .. .. .	2
22	70-8782	"O" ring — inspection cap .. .. .	4
23	57-2166	Inspection cap — rocker box .. .. .	4
24	71-1175	Connecting tube — oil feed pipes .. .. .	1
25	71-1168	Oil pipe — rocker spindle .. .. .	1
26	40-0159	Washer — rocker oil pipe (copper, .380" × .656" × .036") .. .. .	4
27	21-0550	Domed nut — oil pipe to rocker spindles (⅜" UN.F.) .. .. .	2
28	71-1157	Exhaust manifold .. .. .	1
29	14-0205	Bolt — exhaust pipe to manifold (¼" UN.F. × 1½") .. .. .	2
30	54-9081	Washer — exhaust pipe to manifold bolt (.281" × .563" × .078") .. .. .	4
31	71-2455	Exhaust pipe — left .. .. .	1
31	71-2457	Exhaust pipe — right .. .. .	1
32	70-6743	Finned collar — exhaust pipe .. .. .	3
33	70-8860	Spherical washer — finned collar .. .. .	3
34	14-1201	Nut — exhaust pipe to manifold (¼" UN.F.) .. .. .	2
35	71-1160	Clamp — exhaust manifold .. .. .	2
36	70-6744	Bolt — finned collar (⅝" UN.F. × 1⅜") .. .. .	3
37	19-7641	Cover — spark plug (Champion WC.200) .. .. .	3
38	19-7606	Spark plug (Champion N3) .. .. .	3



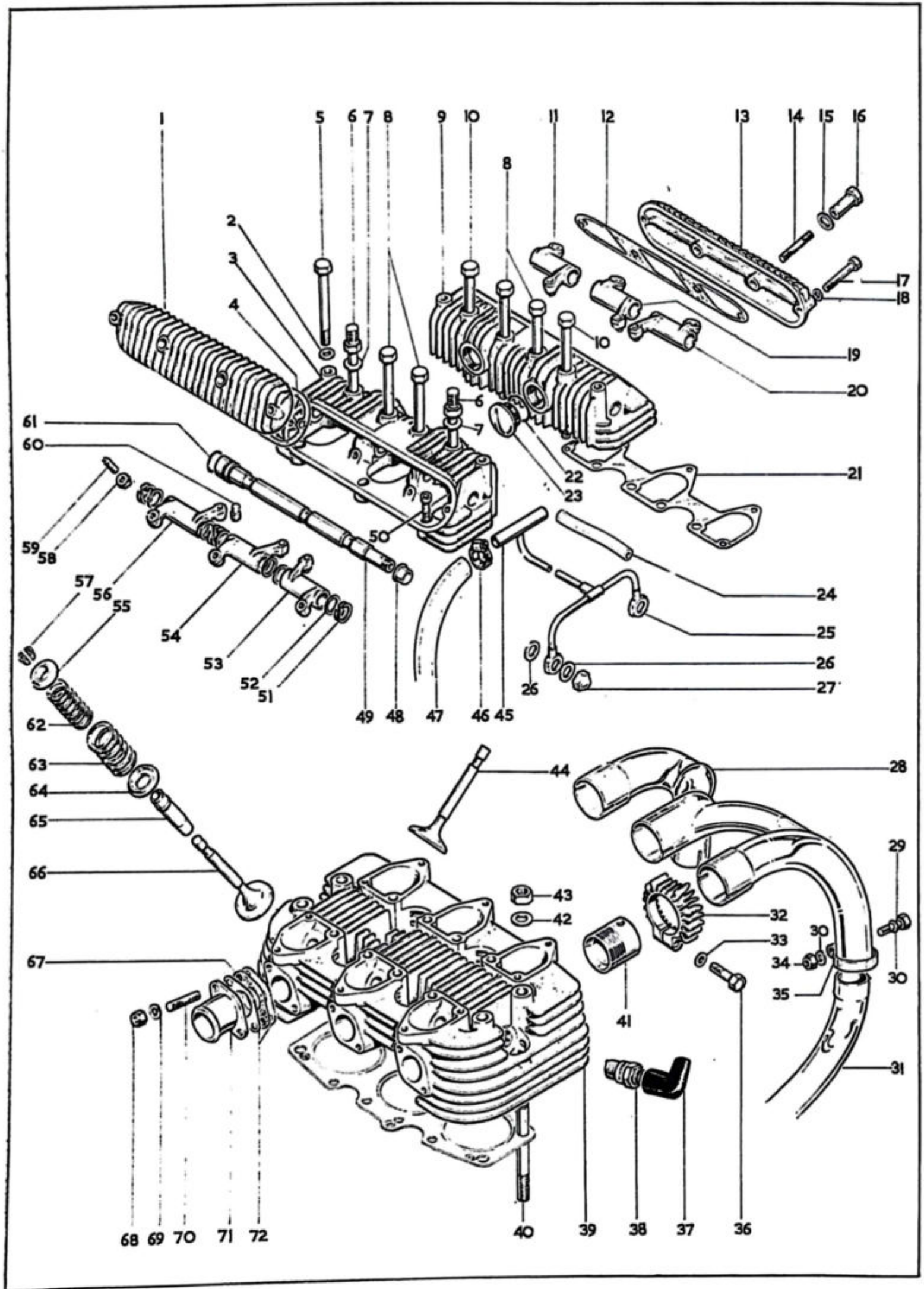


Plate 1—contd.

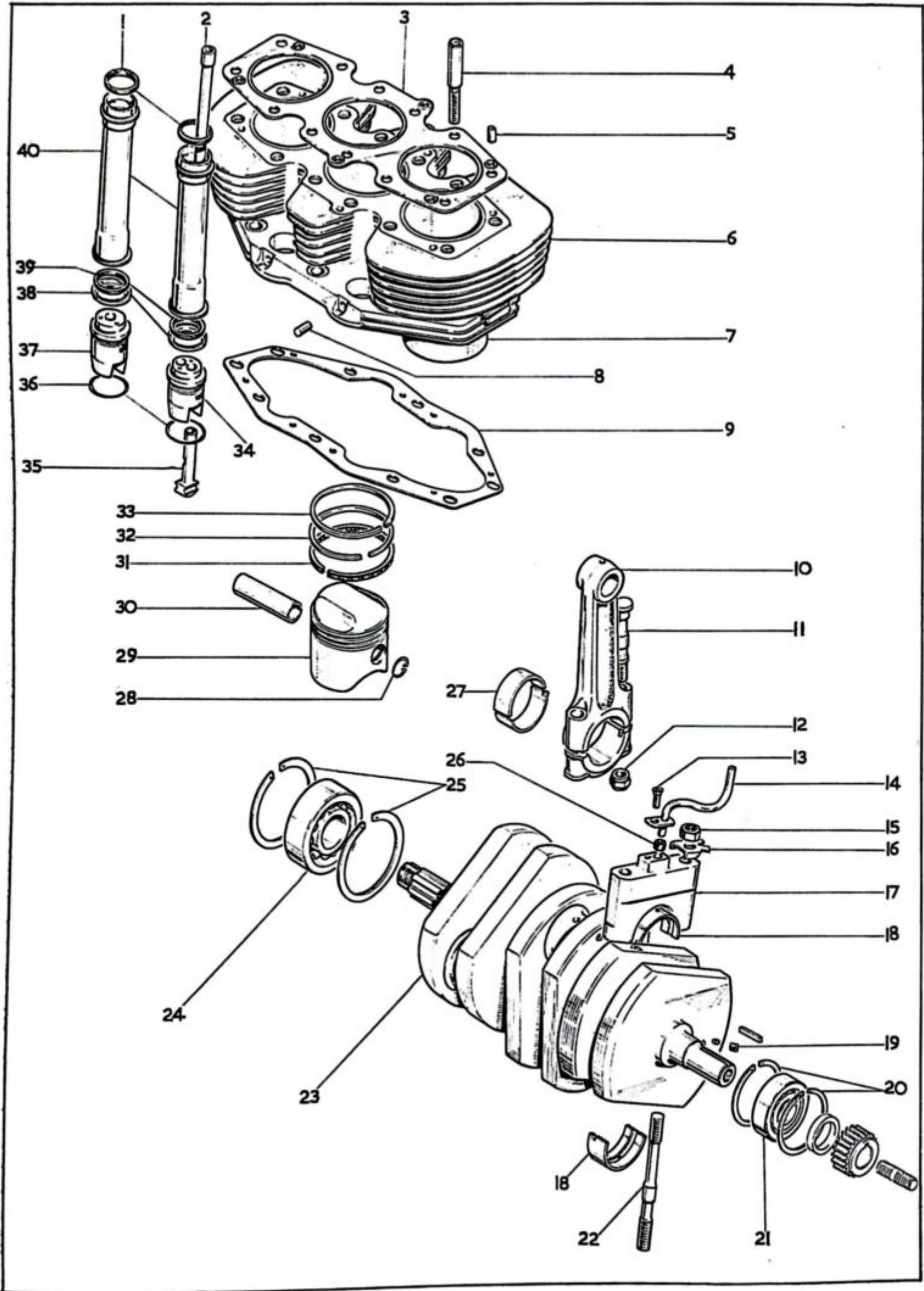
CYLINDER HEAD — ROCKER BOXES — EXHAUST PIPES

Key No.	Spares No.	Description	Per Set
39	70-8781	Cylinder head with fixed fittings .. .. .	1
40	21-0686*	Stud — head to barrel ( $\frac{3}{8}$ " UN.C./UN.F. $\times 4\frac{3}{4}$ ") .. .. .	4
41	70-9510	Adaptor — exhaust pipe .. .. .	3
42	02-0861	Washer — head to barrel stud ( $\cdot 380$ " $\times \cdot 750$ " $\times \cdot 092$ ") .. .. .	4
43	14-0303	Nut — head to barrel stud ( $\frac{3}{8}$ " UN.F.) .. .. .	4
44	70-6423	Valve — exhaust .. .. .	3
45	71-1172	Oil connecting pipe — engine to cooler and rocker feed .. .. .	1
46	60-0702	Jubilee clip — oil pipes .. .. .	6
47	70-8905	Flexible pipe — rocker oil feed .. .. .	1
48	70-6018	Bush — rocker spindle .. .. .	2
49	70-9558	Rocker spindle assembly .. .. .	2
50	14-7004	Screw — rocker box to cylinder head ( $\frac{1}{4}$ " UN.C. $\times \frac{3}{4}$ ") .. .. .	6
51	40-0156	Washer — spring rocker spindle .. .. .	6
52	40-0158	Thrust washer — rocker spindle .. .. .	12
53	71-1288	Rocker — inlet (right) .. .. .	1
54	71-1287	Rocker — inlet (centre) .. .. .	1
55	70-8720	Collar — valve spring (top) .. .. .	6
56	71-1289	Rocker — inlet (left) .. .. .	1
57	40-0167	Split collet — valve spring .. .. .	12
58	14-0402	Nut — rocker lever adjusting pin .. .. .	6
59	70-8783	Adjusting pin — rocker lever .. .. .	6
60	71-0070	Rocker ball pin .. .. .	6
61	60-3548	"O" ring — rocker spindle .. .. .	2
62	70-8787	Valve spring — inner .. .. .	6
63	70-8788	Valve spring — outer .. .. .	6
64	70-8789	Cup — valve spring (bottom) .. .. .	6
65	70-6420	Valve guide .. .. .	6
66	70-6422	Valve — inlet .. .. .	3
67	70-8981	Insulating washer — inlet stub .. .. .	3
68	14-1301	Nut — inlet stub fixing ( $\frac{1}{4}$ " UN.F.) .. .. .	6
69	40-2705	Washer — inlet stub fixing ( $\cdot 266$ " $\times \cdot 469$ " $\times \cdot 064$ ") .. .. .	6
70	21-0557	Stud — inlet stub fixing ( $\frac{1}{4}$ " UN.F./UN.C. $\times 1\frac{5}{16}$ ") .. .. .	6
71	70-7983	Inlet stub — cylinder head .. .. .	3
72	71-1446	Gasket — inlet stub .. .. .	6

\*Special material: 6—EN16. 8—EN16. 10—EN16. 40—EN8



Plate 2



**Plate 2**

**CYLINDER — PISTONS — CRANKSHAFT**

Key No.	Spares No.	Description	Per Set
1	70-4752	Washer — push rod cover joint .. .. .	4
2	71-1238	Push rod — inlet and exhaust .. .. .	6
3	71-1733	Gasket — cylinder head .. .. .	1
4	70-8817*	Stud — cylinder barrel .. .. .	8
5	70-1532	Dowel — cylinder head to barrel .. .. .	6
6	70-6529	Cylinder barrel assembly .. .. .	1
7	70-8914	Liner — cylinder barrel .. .. .	3
8	70-9465	Dowel — tappet block .. .. .	4
9	70-6496	Gasket — cylinder base .. .. .	1
10	70-9740	Connecting rod — complete assembly .. .. .	3
11	70-9727*	Bolt — connecting rod .. .. .	6
12	60-3761	Nut — connecting rod bolt ( $\frac{5}{16}$ " UN.F.) .. .. .	6
13	40-0242	Screw — oil pipe to bearing cap (2 B.A. $\times$ 27/64" countersunk) .. .. .	2
14	70-8746	Oil pipe — tappet feed (left) .. .. .	1
14	70-8748	Oil pipe — tappet feed (right) .. .. .	1
15	14-0303	Nut — main bearing cap ( $\frac{3}{8}$ " UN.F.) .. .. .	4
16	71-1129	Tab washer — main bearing cap nut .. .. .	4
17		Cap — main bearing (supplied only with crankcase) .. .. .	2
18	70-6023	Shell — main bearing (standard) .. .. .	4
18	70-9027	Shell — main bearing (.010" undersize) .. .. .	4
18	70-9028	Shell — main bearing (.020" undersize) .. .. .	4
18	70-9029	Shell — main bearing (.030" undersize) .. .. .	4
18	70-9030	Shell — main bearing (.040" undersize) .. .. .	4
19	70-6577	Plug — crankshaft oilway .. .. .	3
20	70-6026	Circlip — right bearing retaining .. .. .	2
21	70-8780	Bearing — crankshaft right (Hoffmann R.125) .. .. .	1
22	70-8745*	Stud — main bearing cap ( $\frac{3}{8}$ " UN.F./UN.C. $\times$ 4 $\frac{7}{8}$ ") .. .. .	4
23	70-8778	Crankshaft assembly .. .. .	1
24	70-1591	Bearing — crankshaft left (Hoffmann MS.11) .. .. .	1
25	70-6025	Circlip — left bearing retaining .. .. .	2
26	70-9843	Rubber seal — tappet feed pipe .. .. .	4
27	70-5998	Shell — connecting rod big-end (standard) .. .. .	6
27	70-9023	Shell — connecting rod big-end (.010" undersize) .. .. .	6
27	70-9024	Shell — connecting rod big-end (.020" undersize) .. .. .	6
27	70-9025	Shell — connecting rod big-end (.030" undersize) .. .. .	6
27	70-9026	Shell — connecting rod big-end (.040" undersize) .. .. .	6
28	70-6840	Circlip — gudgeon pin .. .. .	6
29	70-9741†	Piston complete (standard) .. .. .	3
30	70-6836	Gudgeon pin .. .. .	3
31	70-9739†	Piston ring — scraper (standard) .. .. .	3
32	70-6838†	Piston ring — compression (standard) .. .. .	3
33	70-6838†	Piston ring — compression (standard) .. .. .	3
34	70-6509	Tappet block — right .. .. .	2
35	70-8917	Inlet and exhaust tappet .. .. .	6
36	70-6560	"O" ring — tappet block .. .. .	4
37	70-6508	Tappet block — left .. .. .	2
38	70-4746	Cup — push rod cover (bottom) .. .. .	4
39	70-4752	Washer — push rod cover joint .. .. .	4
40	70-6955	Cover tube — push rod .. .. .	4

†For piston details see page 6.

\*Special material: 4—EN8R. 11—3AE.4042 condition  $\times$  75 con. 22—EN16.



Plate 3

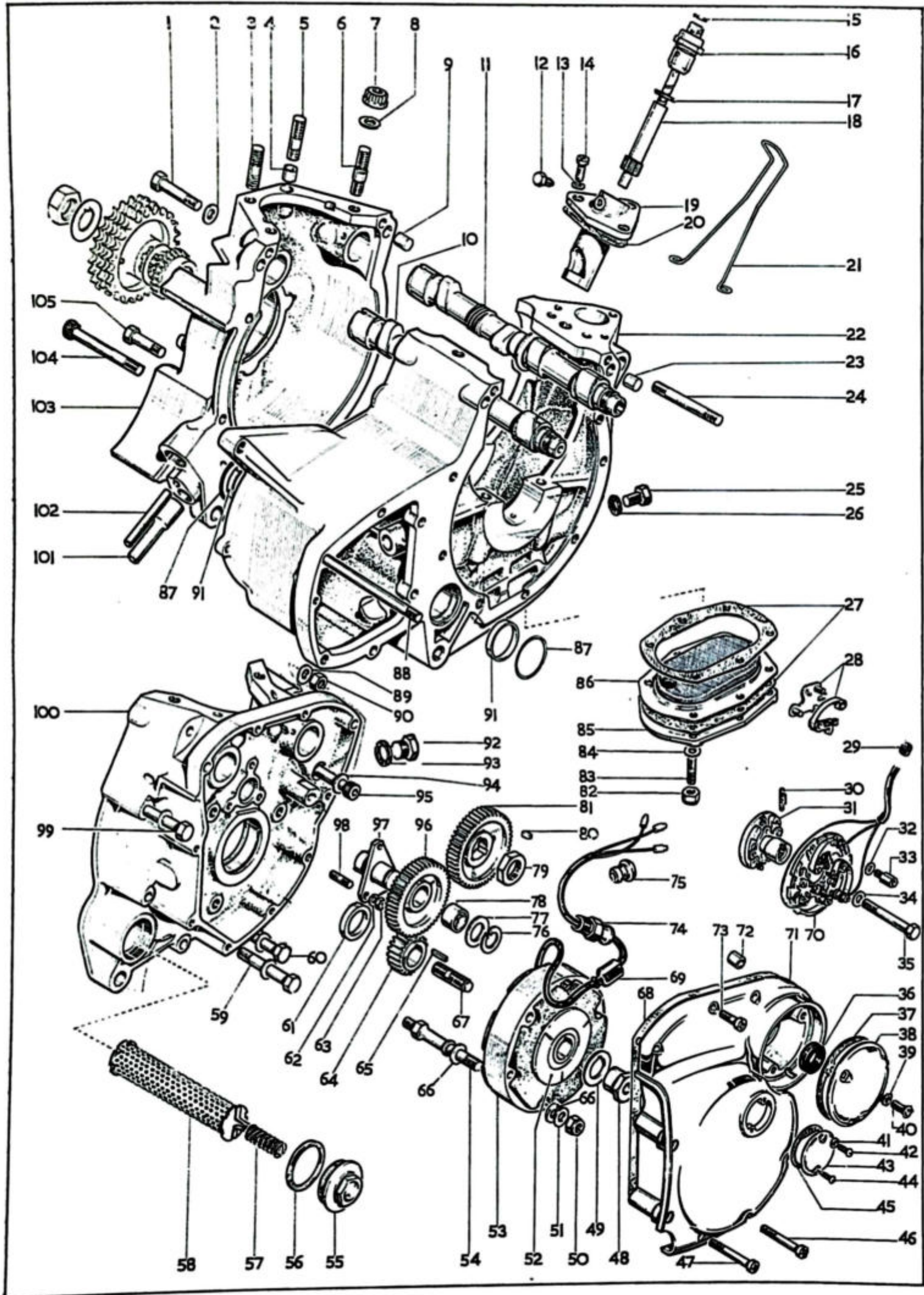




Plate 3

CRANKCASE — TIMING GEARS — OIL FILTERS

Key No.	Spares No.	Description	Per Set
1	14-6220	Bolt — crankcase ( $\frac{5}{16}$ " UN.C. $\times$ $1\frac{3}{4}$ " .. .. .)	2
2	54-0055	Washer — crankcase bolt ( $\cdot 344$ " $\times$ $\cdot 625$ " $\times$ $\cdot 063$ " .. .. .)	8
3	21-1931*	Stud — cylinder base ( $\frac{3}{8}$ " UN.C./UN.F. $\times$ $1\frac{3}{4}$ " .. .. .)	4
4	70-8751	Dowel — cylinder base location .. .. .	2
5	70-8738*	Stud — cylinder base at dowel position ( $\frac{3}{8}$ " UN.F. $\times$ $1\frac{1}{8}$ " .. .. .)	2
6	21-1912*	Stud — cylinder base ( $\frac{3}{8}$ " UN.C./UN.F. $\times$ $1\frac{3}{8}$ " .. .. .)	4
7	21-0692	Nut — cylinder base stud (12 point $\frac{3}{8}$ " UN.F.) .. .. .	10
8	70-8770	Washer — cylinder base stud ( $\cdot 391$ " $\times$ $\cdot 625$ " $\times$ $\cdot 064$ " .. .. .)	10
9	70-8774	Dowel — crankcase .. .. .	2
10	70-8764	Camshaft — inlet .. .. .	1
11	70-8765	Camshaft — exhaust .. .. .	1
12	70-8744	Bolt — tachometer drive locating ( $\frac{1}{4}$ " UN.C. $\times$ $\frac{11}{32}$ " .. .. .)	1
13	90-0262	Washer — fibre, tachometer drive fixing ( $\cdot 265$ " $\times$ $\cdot 390$ " $\times$ $\cdot 031$ " .. .. .)	2
14	14-6606	Screw — tachometer housing to crankcase ( $\frac{1}{4}$ " UN.C. $\times$ $\frac{3}{4}$ " .. .. .)	3
15	70-6299	"O" ring — driven gear .. .. .	1
16	70-8742	Housing — tachometer drive bearing .. .. .	1
17	40-0323	"O" ring — tachometer drive .. .. .	1
18	70-8741	Driven gear — tachometer drive .. .. .	1
19	70-8740	Housing — tachometer drive driven gear .. .. .	1
20	71-1439	Gasket — tachometer drive housing .. .. .	1
21	70-9706	Support wire — tachometer cable .. .. .	1
22	†	Crankcase — centre section .. .. .	1
23	70-8774	Dowel — crankcase location .. .. .	2
24	14-1427	Stud — crankcase ( $\frac{5}{16}$ " UN.C./UN.F. $\times$ 3" .. .. .)	2
25	14-6113	Oilway plug ( $\frac{5}{16}$ " UN.C. $\times$ $\frac{5}{8}$ " .. .. .)	2
26	70-8776	Washer — oilway plug .. .. .	2
27	71-1444	Gasket — scavenge cover .. .. .	2
28	19-1865	Contact set (Lucas 54419828) .. .. .	1
29	70-8756	Grommet — contact breaker lead .. .. .	1
30	19-1888	Spring — auto-advance unit (Lucas 54417992) .. .. .	2
31	19-1864	Auto-advance unit (Lucas 54419867) .. .. .	1
32	70-6559	Washer — contact breaker plate ( $\cdot 203$ " $\times$ $\cdot 375$ " $\times$ $\cdot 056$ " .. .. .)	3
33	70-6521	Pillar bolt — contact breaker plate (2 B.A. $\times$ $1\frac{3}{32}$ " .. .. .)	3
34	68-0331	Washer — auto-advance unit bolt ( $\cdot 280$ " $\times$ $\cdot 500$ " $\times$ $\cdot 064$ " .. .. .)	1
35	14-0208	Bolt — auto-advance unit ( $\frac{1}{4}$ " UN.F. $\times$ $2\frac{1}{4}$ " .. .. .)	1
36	76-0291	Oil seal — contact breaker .. .. .	1
37	71-1441	Gasket — contact breaker cover .. .. .	1
38	70-6519	Cover — contact breaker .. .. .	1
39	54-0042	Fibre washer — contact breaker cover screw .. .. .	3
40	54-9012	Screw — contact breaker cover (2 B.A. $\times$ $\frac{11}{32}$ " .. .. .)	3

†Supplied only as Crankcase complete. 71-2422



Plate 3—contd.

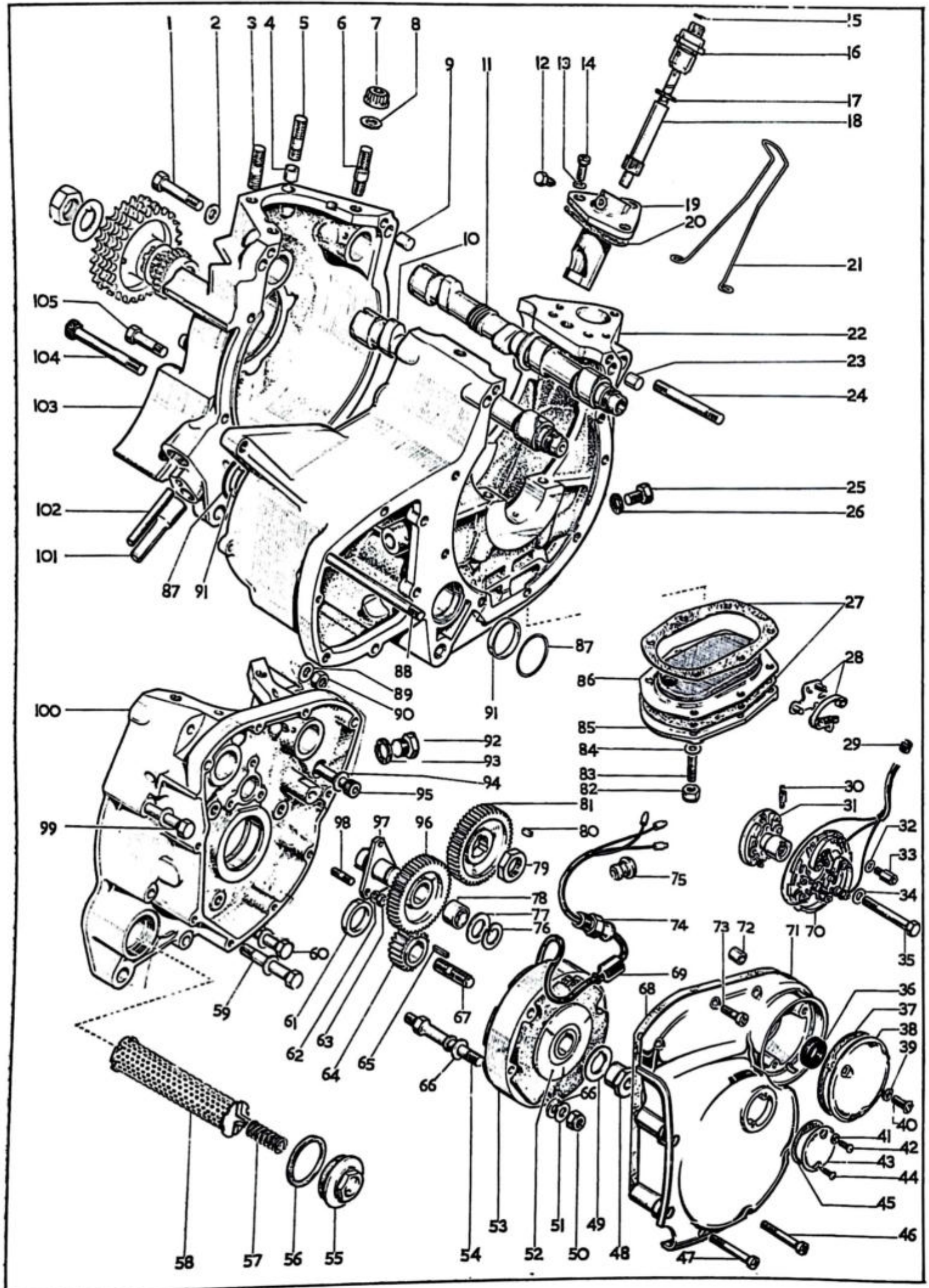




Plate 3—contd.

CRANKCASE — TIMING GEARS — OIL FILTERS

Key No.	Spares No.	Description	Per Set
41	70-9266	Washer — screw and pointer, timing aperture ( $\cdot 156'' \times \cdot 250'' \times \cdot 031''$ ) ..	2
42	71-1130	Screw — timing aperture ( $4 \text{ B.A.} \times \frac{5}{16}''$ ) .. .. .	1
43	70-7879	Cover — timing aperture .. .. .	1
44	71-0006	Pointer screw — timing aperture ( $4 \text{ B.A.} \times \frac{11}{16}''$ ) .. .. .	1
45	71-1443	Gasket — timing aperture .. .. .	1
46	14-6611	Screw — timing cover ( $\frac{1}{4}'' \text{ UN.C.} \times 1\frac{3}{4}''$ ) .. .. .	1
47	14-6612	Screw — timing cover ( $\frac{1}{4}'' \text{ UN.C.} \times 2''$ ) .. .. .	4
48	70-8763	Nut — rotor mounting ( $\frac{7}{16}'' \text{ UN.F.}$ ) .. .. .	1
49	75-0223	Lockwasher — rotor mounting .. .. .	1
50	21-1852	Nut — stator mounting ( $\frac{5}{16}'' \text{ UN.F.}$ ) .. .. .	3
51	54-0055	Washer — stator mounting ( $\cdot 344'' \times \cdot 625'' \times \cdot 063''$ ) .. .. .	3
52	19-1260	Alternator rotor (Lucas 54210937) .. .. .	1
53	19-1259	Alternator stator (Lucas 47209) .. .. .	1
	19-1258	Alternator complete .. .. .	1
54	70-6522*	Stud — stator mounting .. .. .	3
55	71-1270	Cap — oil filter .. .. .	1
56	71-1070	“O” ring — oil filter cap .. .. .	1
57	70-6130	Spring — filter mounting .. .. .	1
58	70-6571	Oil filter (Fram CA.2818) .. .. .	1
59	14-6226	Bolt — crankcase fixing ( $\frac{5}{16}'' \text{ UN.C.} \times 3\frac{1}{4}''$ ) .. .. .	4
60	14-6218	Bolt — crankcase fixing ( $\frac{5}{16}'' \text{ UN.C.} \times 1\frac{3}{8}''$ ) .. .. .	1
61	70-6173	Distance piece — timing pinion .. .. .	1
62	54-0022	Washer — spring gear spindle stud .. .. .	3
63	14-0401	Nut — gear spindle stud ( $\frac{1}{4}'' \text{ UN.F.}$ ) .. .. .	3
64	70-6524	Timing pinion — crankshaft .. .. .	1
65	70-3974	Key — crankshaft pinion and rotor .. .. .	1
66	02-0370	Distance piece — stator (Use only with RM20/21 Alternator) .. .. .	6
67	21-0548*	Stud — crankshaft ( $\frac{7}{16}'' \text{ UN.F./UN.C.} \times 1\frac{3}{8}''$ ) .. .. .	1
68	71-1348	Gasket — timing cover .. .. .	1
69	68-0209	Grommet — alternator lead, internal .. .. .	1
70	19-1863	Contact breaker plate (Lucas 54419327) .. .. .	1
71	70-7738	Cover — timing gears .. .. .	1
72	76-0217	Dowel — timing cover locating .. .. .	2
73	14-6608	Screw — timing cover to crankcase ( $\frac{1}{4}'' \text{ UN.C.} \times 1''$ ) .. .. .	5
74	70-8760	Nut — alternator cable sleeve .. .. .	1



Plate 3—Cont.

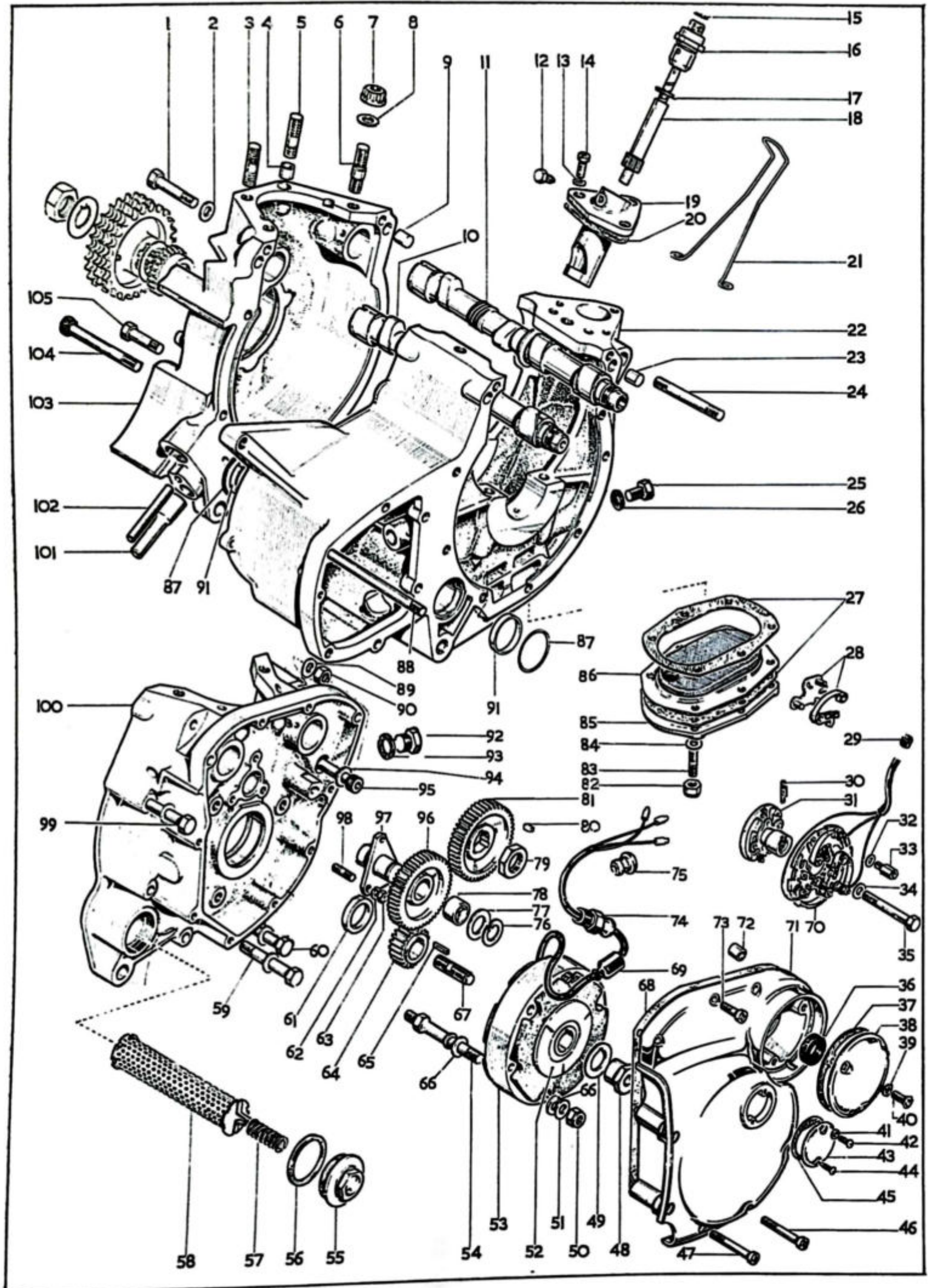


Plate 3—cont.

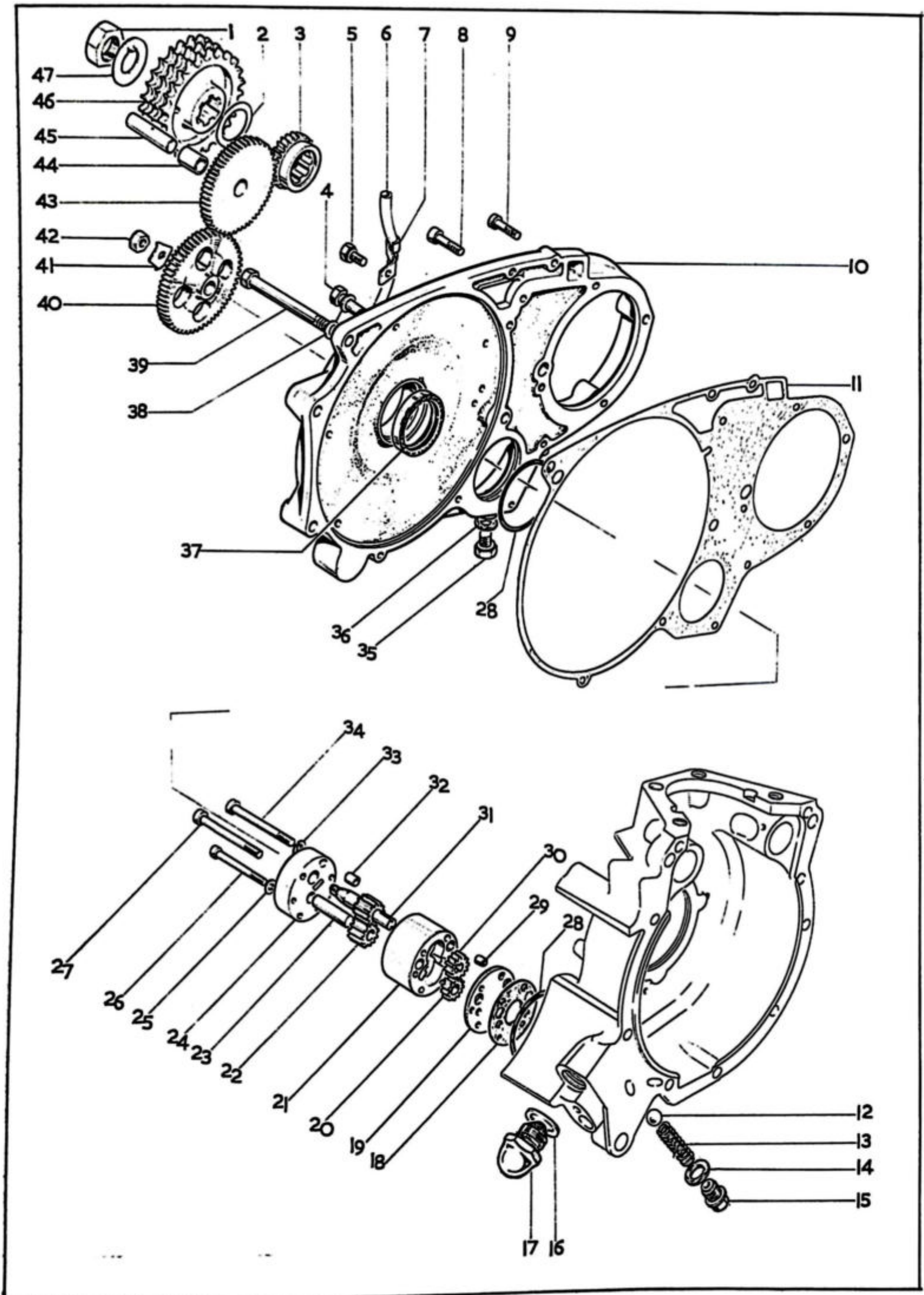
CRANKCASE — TIMING GEARS — OIL FILTERS

Key No.	Spares No.	Description	Per Set
75	70-9807	Grommet — alternator lead, external .. .. .	1
76	70-8768	Circlip — idler gear retaining .. .. .	1
77	71-2249	Thrust washer — idler gear .. .. .	1
78	71-2248	Bush — idler gear .. .. .	1
79	70-6523	Nut — camshaft pinion .. .. .	2
80	70-1558	Key — camshaft pinion .. .. .	2
81	71-2718	Camshaft pinion .. .. .	2
82	14-1301	Nut — sump fixing ( $\frac{1}{4}$ " UN.F.) .. .. .	1
83	71-1349	Stud — scavenge cover ( $\frac{1}{4}$ " UN.C./UN.F. $\times$ $\frac{7}{8}$ " ) .. .. .	6
84	60-2320	Washer — scavenge cover bolt ( $\cdot 270$ " $\times$ $\cdot 562$ " $\times$ $\cdot 056$ " ) .. .. .	6
85	70-6580	Scavenge cover .. .. .	1
86	70-6501	Filter — scavenge cover .. .. .	1
87	71-1070	"O" ring — filter seal .. .. .	2
88	21-1813	Stud — gearbox cover ( $\frac{5}{16}$ " UN.C./UN.F. $\times$ $4\frac{3}{4}$ " ) .. .. .	2
89	54-0055	Washer — crankcase stud ( $\cdot 313$ " $\times$ $\cdot 625$ " $\times$ $\cdot 063$ " ) .. .. .	2
90	14-0302	Nut — crankcase stud ( $\frac{5}{16}$ " UN.F.) .. .. .	2
91	70-9856	Sleeve — filter "O" ring .. .. .	2
92	70-8755	Plug — timing aperture .. .. .	1
93	70-1523	Washer — fibre, timing aperture plug ( $\cdot 563$ " $\times$ $\cdot 844$ " $\times$ $\cdot 064$ " ) .. .. .	1
94	54-0055	Washer — crankcase bolt ( $\cdot 313$ " $\times$ $\cdot 625$ " $\times$ $\cdot 063$ " ) .. .. .	7
95	21-0678	Allen screw — crankcase fixing ( $\frac{5}{16}$ " UN.C. $\times$ $3\frac{7}{8}$ " ) .. .. .	1
96	71-2246	Idler gear complete .. .. .	1
97	71-2250	Spindle — idler gear .. .. .	1
98	21-0547	Stud — intermediate gear spindle ( $\frac{1}{4}$ " UN.C./UN.F. $\times$ $\frac{7}{8}$ " ) .. .. .	3
99	14-6223	Bolt — crankcase fixing ( $\frac{5}{16}$ " UN.C. $\times$ $2\frac{1}{2}$ " ) .. .. .	1
100	†	Crankcase — right .. .. .	1
101	70-6573	Stub — oil return pipe .. .. .	1
102	70-6574	Stub — oil feed pipe .. .. .	1
103	†	Crankcase — left .. .. .	1
104	14-6226	Bolt — crankcase fixing ( $\frac{5}{16}$ " UN.C. $\times$ $3\frac{1}{4}$ " ) .. .. .	5
105	14-6218	Bolt — crankcase fixing ( $\frac{5}{16}$ " UN.C. $\times$ $1\frac{3}{8}$ " ) .. .. .	1

†Supplied only as crankcase complete, 71-2422.

\*Special material: 3—EN16R. 5—EN8R. 6—EN8R. 54—EN8R. 67—EN8R.



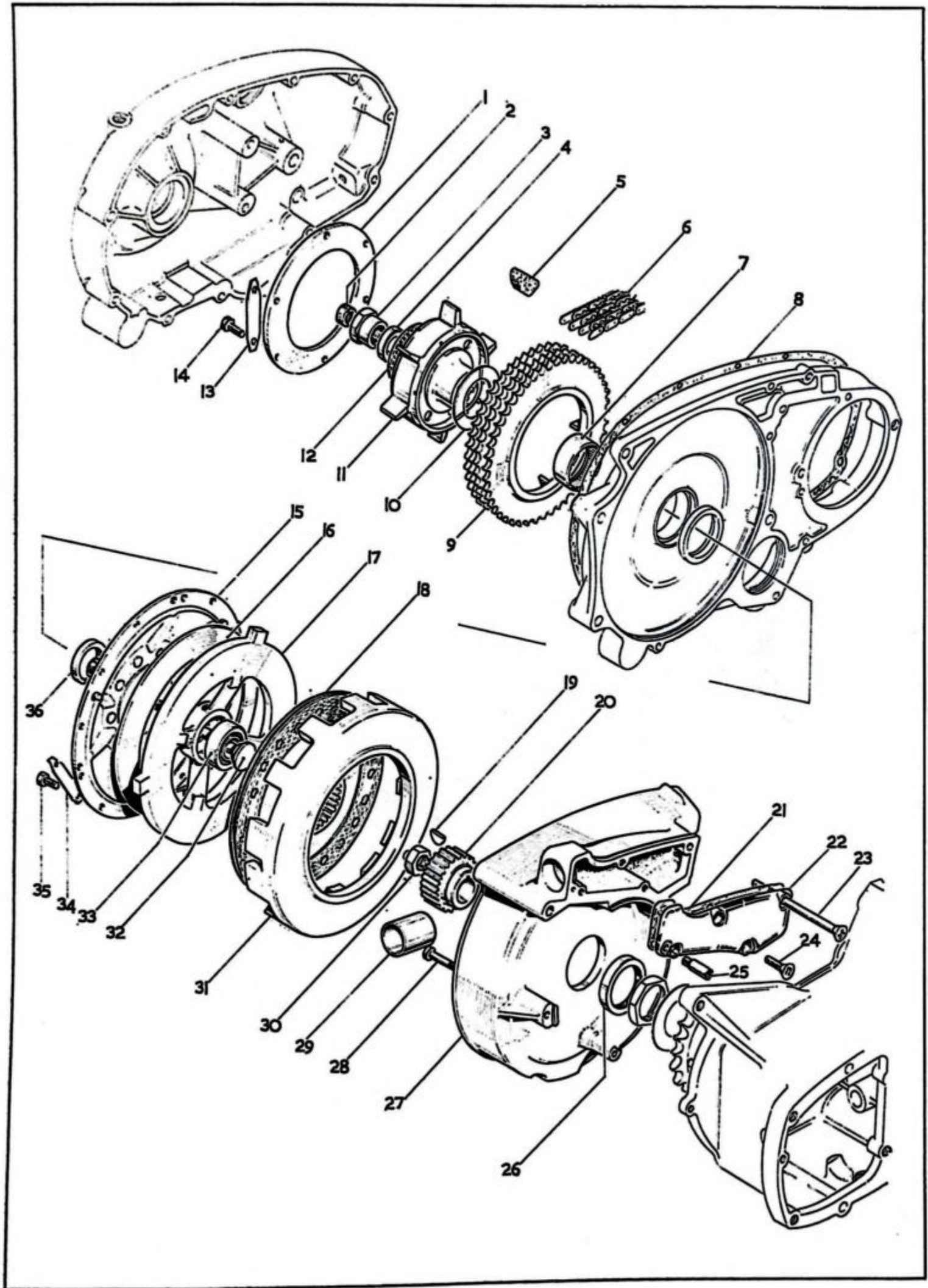


**Plate 4**
**INNER PRIMARY COVER — OIL PUMP — GEARS**

Key No.	Spares No.	Description	Per Set
1	21-0585	Nut — engine sprocket ( $\frac{3}{8}$ " UN.F.) .. .. .	1
2	40-0066	Shim — engine sprocket (.010") .. .. .	as reqd.
2	71-2660	Shim — engine sprocket (.030") .. .. .	as reqd.
3	70-7248	Gear — oil pump driving .. .. .	1
4	21-1820	Bolt — inner cover to crankcase ( $\frac{5}{16}$ " UN.C. $\times$ $4\frac{1}{2}$ ") .. .. .	1
5	14-6101	Bolt — chain oiler clip ( $\frac{1}{4}$ " UN.C. $\times$ $\frac{1}{2}$ ") .. .. .	1
6	70-8786	Chain oiler pipe .. .. .	1
7	70-4705	Clip — chain oiler pipe .. .. .	1
8	14-7006	Screw — allen, inner cover to crankcase ( $\frac{1}{4}$ " UN.C. $\times$ 1") .. .. .	7
9	14-6606	Screw — inner cover to crankcase ( $\frac{1}{4}$ " UN.C. $\times$ $\frac{3}{4}$ ") .. .. .	2
10	57-4018	Cover — inner primary, with fixed fittings .. .. .	1
11	71-1453	Gasket — inner cover to crankcase .. .. .	1
12	60-2370	Ball — oil control valve ( $\frac{7}{16}$ " .. .. .	1
13	70-6567	Spring — oil control valve .. .. .	1
14	71-2792	Washer — copper, oil control valve .. .. .	1
15	70-6584	Plug — oil control valve .. .. .	1
16	70-1670	Washer — valve body to crankcase (.860" $\times$ .122" $\times$ .036") .. .. .	1
17	71-2369	Oil pressure release valve complete .. .. .	1
18	71-1442	Gasket — oil pump to crankcase .. .. .	1
19	70-6502	Plate — oil pump base .. .. .	1
20	70-6038	Feed gear — oil pump, driven .. .. .	1
21	71-1351	Oil pump complete .. .. .	1
22	70-6039	Scavenge gear — oil pump, driven .. .. .	1
23	70-6454	Spindle — driven gears .. .. .	1
24	70-9885	Cover — oil pump .. .. .	1
25	70-8731	Washer — spring, oil pump cover screw (.172" $\times$ .348" $\times$ .048") .. .. .	2
26	21-0559	Screw — oil pump cover to body (3 B.A. $\times$ 2") .. .. .	2
27	71-0003	Screw — oil pump to crankcase (2 B.A. $\times$ $2\frac{1}{2}$ ") .. .. .	3
28	70-6570	"O" ring — oil pump to crankcase and cover .. .. .	2
29	70-1532	Dowel — oil pump locating .. .. .	1
30	70-6455	Feed gear — oil pump, driving .. .. .	1
31	70-9887	Scavenge gear — oil pump, driving .. .. .	1
32	70-6459	Dowel — oil pump cover locating .. .. .	1
33	70-8732	Washer — spring, oil pump screw (.203" $\times$ .331" $\times$ .064") .. .. .	4
34	70-9601	Screw — oil pump to crankcase dowel position (2 B.A. $\times$ $2\frac{3}{4}$ ") .. .. .	1
35	21-0536	Drain plug — primary cover .. .. .	1
36	70-0402	Washer — fibre, drain plug (.375" $\times$ .563" $\times$ .064") .. .. .	1
37	57-3642	Oil seal — clutch shaft .. .. .	1
38	54-0055	Washer — inner cover to crankcase bolt (.313" $\times$ .625" $\times$ .063") .. .. .	2
39	21-1819	Bolt — inner cover to crankcase ( $\frac{5}{16}$ " UN.C. $\times$ $4\frac{1}{4}$ ") .. .. .	1
40	70-9886	Gear — oil pump driven .. .. .	1
41	71-1353	Tab washer — oil pump gear fixing .. .. .	1
42	14-0402	Nut — oil pump gear fixing ( $\frac{5}{16}$ " UN.F.) .. .. .	1
43	70-7246	Idler gear — oil pump drive .. .. .	1
44	70-6885	Bush — oil pump idler gear .. .. .	1
45	71-1051	Spindle — oil pump idler gear .. .. .	1
46	70-6890	Engine sprocket (28T) .. .. .	1
47	70-8785	Lockwasher — engine sprocket .. .. .	1



**Plate 5**



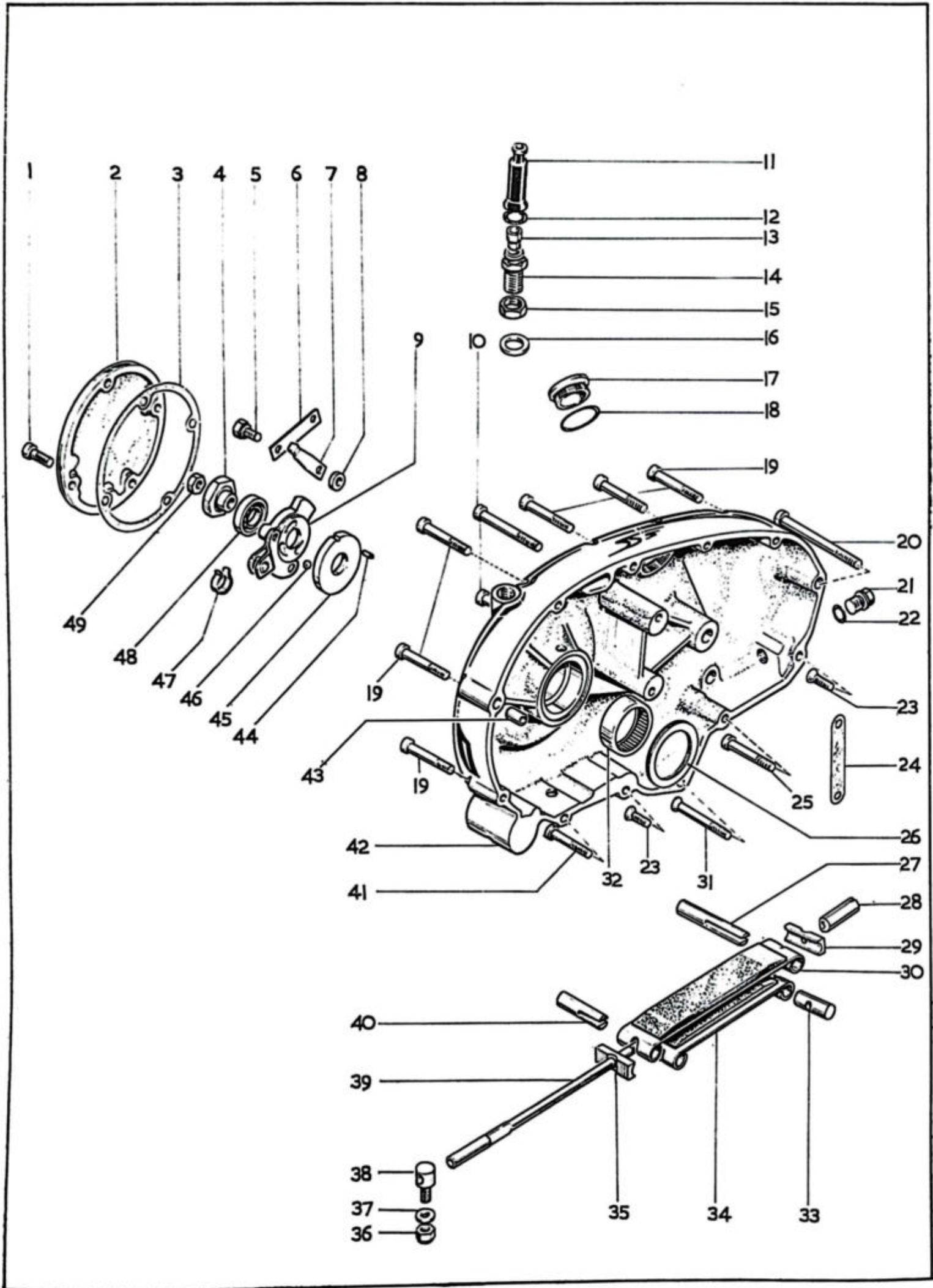
**Plate 5**

**CLUTCH — SHOCK ABSORBER**

Key No.	Spares No.	Description	Per Set
	19-7800	Clutch assembly complete .. .. .	1
	19-7809	Facing pack for friction plate (3SC.76014) .. .. .	1
	57-3871	Shock absorber assembly .. .. .	1
1	57-4004	Retaining plate — shock absorber .. .. .	1
2	57-3644	Oil seal — clutch pull rod .. .. .	1
3	57-2480	Nut — shock absorber .. .. .	1
4	57-2478	Distance piece — shock absorber nut .. .. .	1
5	57-4324	Rubber — shock absorber .. .. .	12
6	19-8692	Primary chain — (Triplex endless, 82 pitch; Renold 116 038) .. .. .	1
7	57-3643	Needle bearing — clutch shaft (INA. SC.228) .. .. .	1
8	71-1454	Gasket — outer primary cover .. .. .	1
9	57-4225	Sprocket — shock absorber .. .. .	1
10	57-2214	Thrust washer — shock absorber sprocket .. .. .	1
11	57-4323	Spider — shock absorber .. .. .	1
12	57-3646	Thrust race — shock absorber (Torrington NTA.2233) .. .. .	1
13	57-3941	Tab washer — shock absorber retaining plate bolt .. .. .	3
14	57-3940	Bolt — shock absorber retaining plate (2 B.A. $\times \frac{5}{8}$ " ) .. .. .	6
15	19-7801	End cover assembly — clutch .. .. .	1
16	19-7805	Clutch spring .. .. .	1
17	19-7804	Pressure plate — clutch .. .. .	1
18	19-7803	Friction plate — clutch .. .. .	1
19	68-3218	Key — clutch hub to mainshaft .. .. .	1
20	57-2580	Clutch hub .. .. .	1
21	71-1452	Gasket — breather duct .. .. .	1
22	57-2555	Cover — breather duct .. .. .	1
23	14-6515	Screw — breather duct cover to inner cover ( $\frac{1}{4}$ " UN.C. $\times 4$ " ) .. .. .	1
24	21-0680	Screw — cover to clutch cover (10 $\times 24$ UN.C. $\times \frac{3}{8}$ " ) .. .. .	3
25	57-3756	Adaptor — oil tank breather pipe .. .. .	1
26	57-3642	Oil seal — cover to mainshaft .. .. .	1
27	57-2554	Clutch cover .. .. .	1
28	14-6610	Screw — cover to crankcase ( $\frac{1}{4}$ " UN.C. $\times 1\frac{1}{2}$ " ) .. .. .	3
29	57-2557	Breather tube .. .. .	1
30	21-0681	Nut — clutch hub to mainshaft ( $\frac{9}{16}$ " UN.F.) .. .. .	1
31	19-7802	Clutch housing .. .. .	1
32	57-2552	Clutch pull rod .. .. .	1
33	19-7808	Bearing — clutch pressure plate .. .. .	1
34	19-7807	Lockwasher — end cover to housing bolt .. .. .	6
35	19-7806	Bolt — end cover to housing .. .. .	12
36	57-2479	Sleeve — mainshaft oil seal .. .. .	1



Plate 6

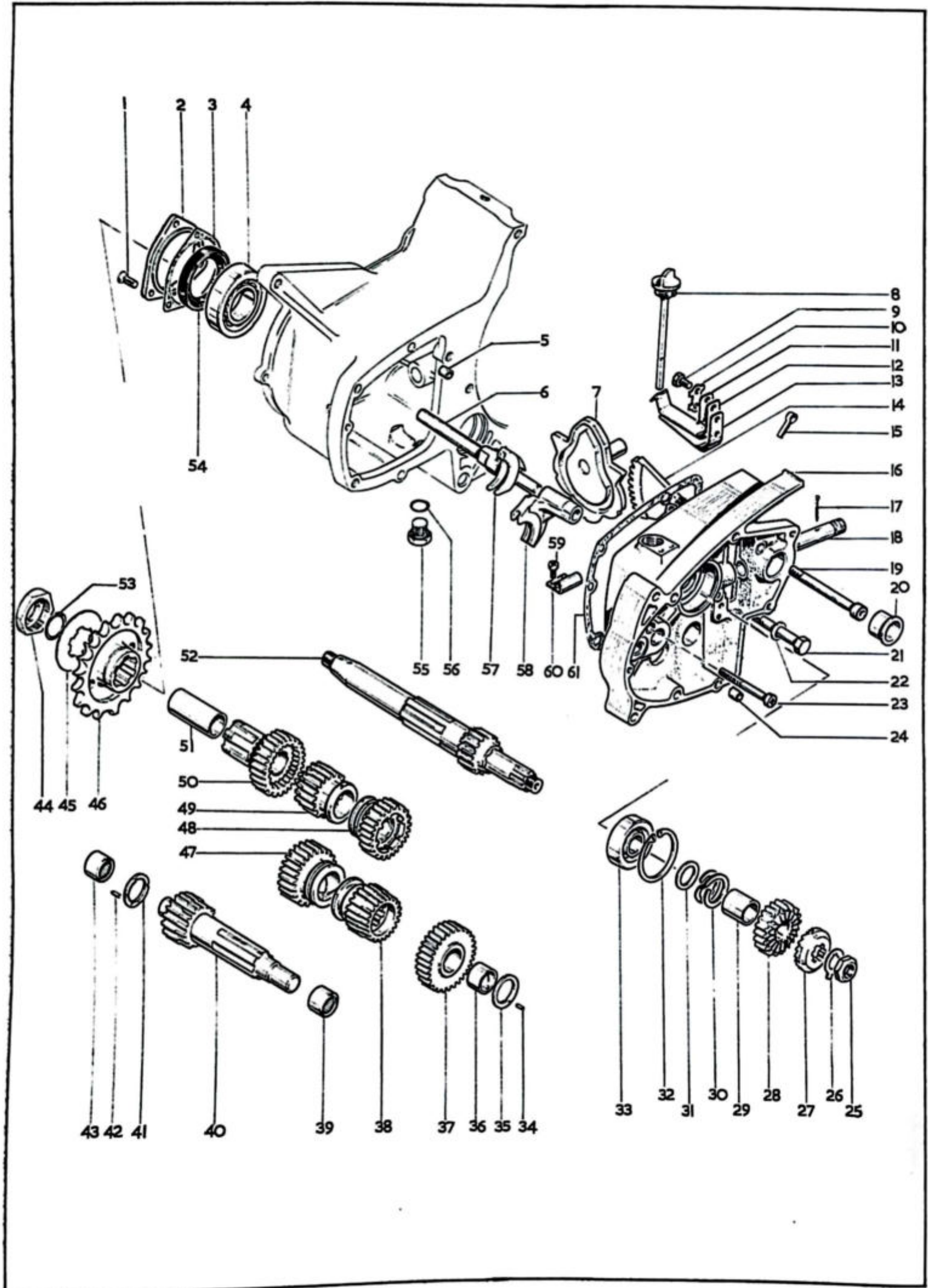




**Plate 6**
**OUTER PRIMARY COVER — CHAIN TENSIONER — CLUTCH CONTROL**

Key No.	Spares No.	Description	Per Set
1	14-6605	Screw — inspection cover ( $\frac{1}{4}$ " UN.C. $\times$ $\frac{5}{8}$ ") .. .. .	4
2	57-3954	Inspection cover .. .. .	1
3	71-1449	Gasket — inspection cover .. .. .	1
4	57-2553	Sleeve nut — clutch pull rod .. .. .	1
5	14-6102	Bolt — thrust plate spring ( $\frac{1}{4}$ " UN.C. $\times$ $\frac{5}{8}$ ") .. .. .	2
6	57-2474	Tab washer — thrust plate spring .. .. .	1
7	57-2473	Spring — clutch thrust plate .. .. .	2
8	57-3638	Distance piece — clutch thrust plate spring .. .. .	2
9	57-2547	Clutch lever .. .. .	1
10	14-6613	Screw — primary outer cover ( $\frac{1}{4}$ " UN.C. $\times$ $2\frac{1}{4}$ ") .. .. .	2
11	68-3264	Grommet — clutch cable .. .. .	1
12	57-3733	Sealing ring — clutch cable .. .. .	1
13	57-1645	Adaptor — clutch cable .. .. .	1
14	57-2220	Abutment — clutch cable .. .. .	1
15	21-0567	Nut — clutch cable abutment ( $\frac{1}{2}$ " UN.C.) .. .. .	1
16	57-3990	Washer — clutch cable abutment locknut .. .. .	1
17	57-2166	Plug — chain inspection .. .. .	1
18	70-8782	"O" ring — inspection plug .. .. .	1
19	14-6611	Screw — outer cover ( $\frac{1}{4}$ " UN.C. $\times$ $1\frac{3}{4}$ ") .. .. .	6
20	14-6615	Screw — outer cover ( $\frac{1}{4}$ " UN.C. $\times$ $3$ ") .. .. .	1
21	57-2259	Plug — tensioner adjusting hole .. .. .	1
22	57-3733	"O" ring — tensioner adjusting hole plug .. .. .	1
23	14-6504	Screw — primary cover ( $\frac{1}{4}$ " UN.C. $\times$ $\frac{3}{4}$ " countersunk) .. .. .	2
24	71-2793	Gasket — primary chain oiler pipe .. .. .	1
25	14-6612	Screw — outer to inner cover ( $\frac{1}{4}$ " UN.C. $\times$ $2$ ") .. .. .	1
26	57-2215	Thrust washer — outer cover .. .. .	1
27	57-3614	Pivot pin — chain tensioner .. .. .	1
28	57-3617	Adjuster — chain tensioner .. .. .	1
29	70-9258	Saddle washer — chain tensioner .. .. .	2
30	57-3610	Blade — chain tensioner (upper) .. .. .	1
31	14-6509	Screw — primary outer cover ( $\frac{1}{4}$ " UN.C. $\times$ $1\frac{3}{4}$ " countersunk) .. .. .	1
32	57-3643	Needle bearing — outer cover (INA. SC.228) .. .. .	1
33	70-5977	Trunnion — lower tensioner blade .. .. .	2
34	70-6061	Blade — chain tensioner (lower) .. .. .	1
35	70-9258	Saddle washer — chain tensioner .. .. .	1
36	14-1901	Nut — chain tensioner support ( $\frac{1}{4}$ " UN.F.) .. .. .	1
37	57-3987	Washer — chain tensioner support ( $\cdot 251$ " $\times$ $\cdot 500$ " $\times$ $\cdot 064$ ") .. .. .	1
38	57-3986	Support — chain tensioner .. .. .	1
39	57-3983	Tie rod — chain tensioner .. .. .	1
40	70-9256	Trunnion — chain tensioner .. .. .	1
41	14-6610	Screw — outer cover ( $\frac{1}{4}$ " UN.C. $\times$ $1\frac{1}{2}$ ") .. .. .	1
42	57-3958	Outer cover — complete assembly .. .. .	1
43	76-0217	Dowel — outer cover locating .. .. .	2
44	57-0912	Peg — clutch thrust plate .. .. .	1
45	57-2465	Clutch thrust plate .. .. .	1
46	60-2364	Steel ball ( $\frac{1}{4}$ ") .. .. .	3
47	57-4194	Clip — clutch cable nipple retaining .. .. .	1
48	57-3647	Bearing — clutch lever (Hoffmann S5) .. .. .	1
49	14-0402	Locknut — clutch pull rod ( $\frac{5}{16}$ " UN.F.) .. .. .	1

**Plate 7**





**Plate 7**

**GEARBOX — 4-SPEED**

Key No.	Spares No.	Description	Per Set
1	14-6504	Screw — oil seal housing to crankcase ( $\frac{1}{4}$ " UN.F. $\times$ $\frac{3}{4}$ ") .. .. .	3
2	57-2153	Oil seal housing — gearbox mainshaft .. .. .	1
3	71-1451	Gasket — housing to crankcase .. .. .	1
4	60-3556	Bearing — gearbox mainshaft (Hoffmann N.1443) .. .. .	1
5	76-0217	Dowel — gearbox inner cover locating .. .. .	2
6	57-3989	Spindle — selector fork .. .. .	1
7	57-4055	Camplate .. .. .	2
8	57-2656	Dipstick — gearbox .. .. .	1
9	54-0043	Set-screw — camplate spring fixing .. .. .	2
10	57-4291	Tab washer — camplate spring fixing .. .. .	1
11	57-4290	Plate — camplate spring retaining .. .. .	1
12	57-4288	Spring — camplate .. .. .	1
13	57-4289	Support — camplate spring .. .. .	1
14	57-0397	Quadrant — gear selector .. .. .	1
15	40-9190	Cable clip — alternator .. .. .	1
16	57-4329	Inner cover — gearbox .. .. .	1
17	60-1928	Split pin — quadrant spindle ( $\frac{5}{64}$ " $\times$ $1\frac{1}{8}$ ") .. .. .	2
18	57-1896	Spindle — selector quadrant .. .. .	1
19	14-7101	Screw — socket, inner cover to crankcase ( $\frac{5}{16}$ " UN.C. $\times$ $3\frac{1}{2}$ ") .. .. .	1
20	57-0412	Bush — gearchange quadrant .. .. .	1
21	14-6121	Bolt — inner cover to crankcase ( $\frac{5}{16}$ " UN.C. $\times$ $2\frac{1}{2}$ ") .. .. .	1
22	75-0176	Washer — inner cover to crankcase bolt ( $\cdot 328$ " $\times$ $\cdot 531$ " $\times$ $\cdot 048$ ") .. .. .	1
23	14-6614	Screw — inner cover to crankcase ( $\frac{1}{4}$ " UN.C. $\times$ $2\frac{1}{2}$ ") .. .. .	2
24	76-0217	Dowel — outer cover locating .. .. .	2
25	21-0594	Nut — kickstart ratchet retaining ( $\frac{9}{16}$ " UN.F.) .. .. .	1
26	57-0732	Lockwasher — kickstart ratchet retaining nut .. .. .	1
27	57-0731	Kickstart ratchet .. .. .	1
28	57-0730	Kickstart ratchet pinion .. .. .	1
29	57-1963	Bush — kickstart ratchet pinion .. .. .	1
30	57-1250	Spring — kickstart ratchet .. .. .	1
31	57-1962	Washer — kickstart pinion sleeve .. .. .	1
32	57-4113	Circlip — mainshaft inner cover bearing .. .. .	1
33	60-3552	Bearing — mainshaft, inner cover (Hoffmann LS.8) .. .. .	1
34	57-0912	Peg — thrust washer, layshaft .. .. .	1
35	57-1607	Thrust washer — layshaft .. .. .	1



Plate 7—contd.

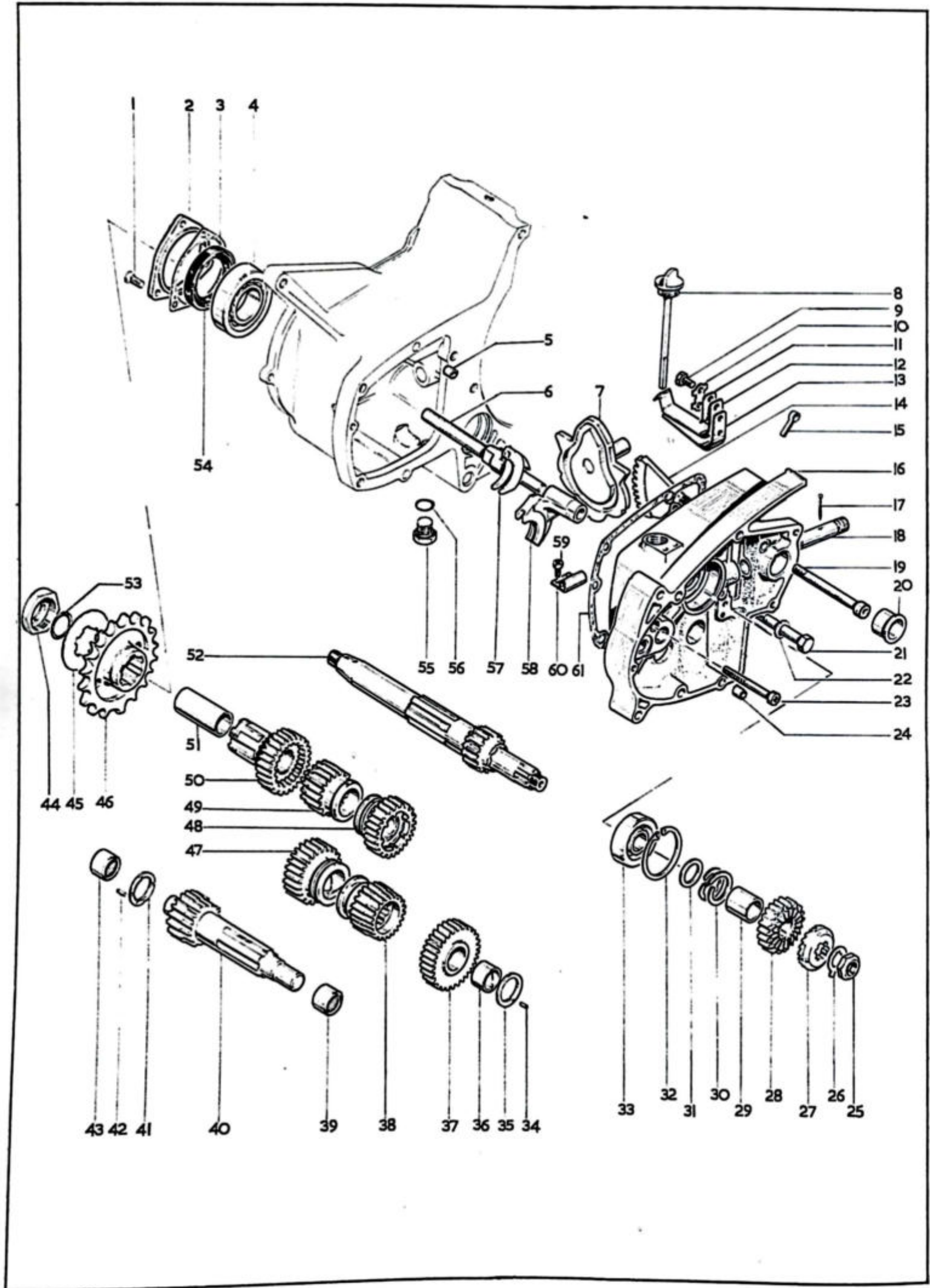


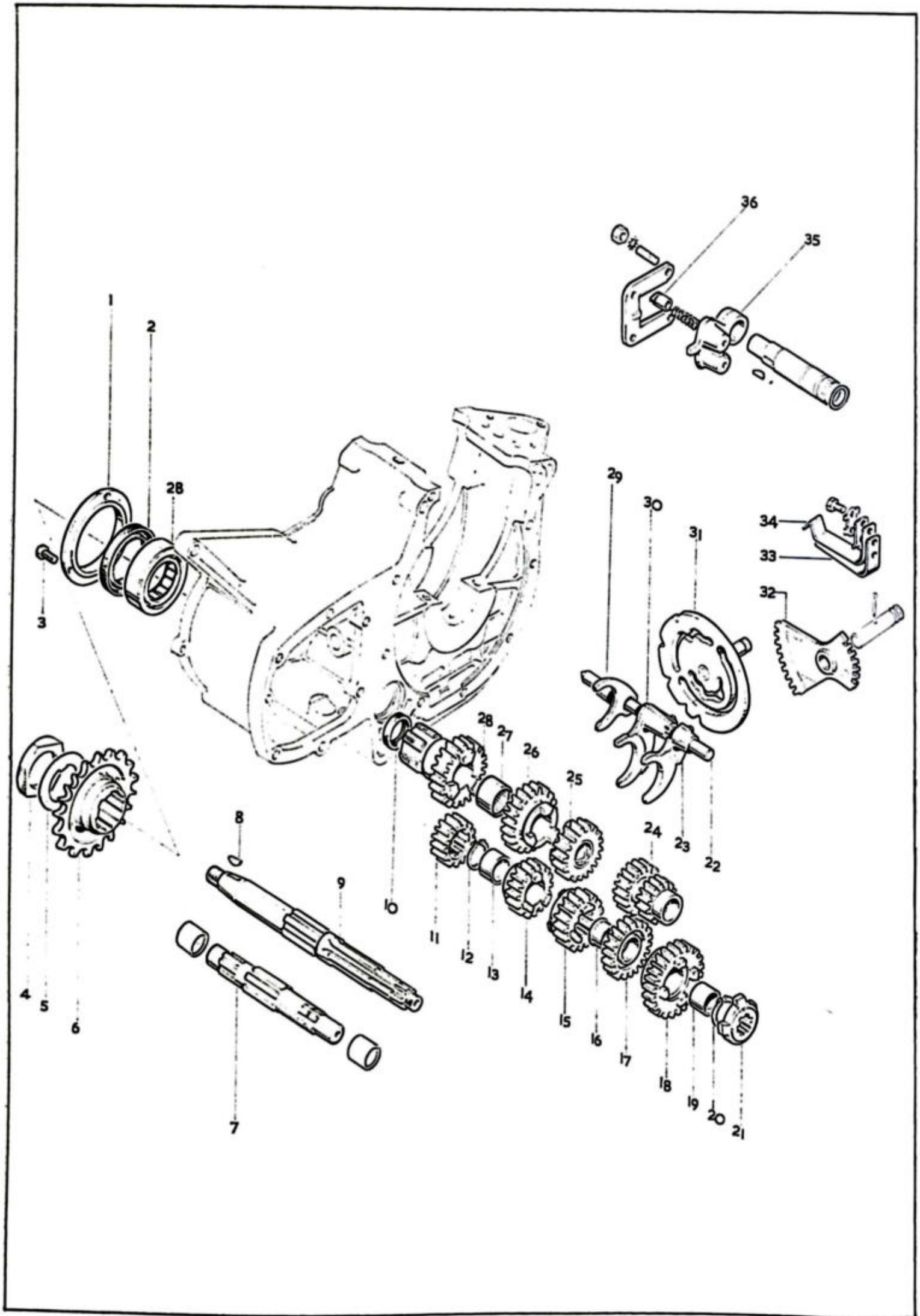
Plate 7—cont.

GEARBOX — 4-SPEED

Key No.	Spares No.	Description	Per Set
36	57-0928	Bush — layshaft first gear .. .. .	1
37	57-3862	Gear — layshaft first .. .. .	1
38	57-3890	Gear — layshaft third .. .. .	1
39	57-1614	Needle bearing — layshaft, inner cover (Torrington B.1112)	1
40	57-4345	Layshaft with top gear .. .. .	1
41	57-1607	Thrust washer — layshaft .. .. .	1
42	57-0912	Peg — thrust washer, layshaft .. .. .	1
43	57-1606	Needle bearing — layshaft (Torrington M11121)	1
44	57-4051	Nut — gearbox final drive sprocket .. .. .	1
45	57-2116	Lockwasher — gearbox sprocket nut .. .. .	1
46	57-1917	Sprocket — gearbox final drive (18T) .. .. .	1
47	57-3861	Gear — layshaft second .. .. .	1
48	57-3889	Gear — mainshaft third .. .. .	1
49	57-4335	Gear — mainshaft second .. .. .	1
50	57-4346	Gear — mainshaft top .. .. .	1
51	57-4314	Bush — mainshaft top gear .. .. .	1
52	57-4175	Mainshaft with first gear .. .. .	1
53	57-4054	“O” ring — gearbox sprocket nut .. .. .	1
54	57-3634	Oil seal — gearbox mainshaft .. .. .	1
55	21-1872	Drain plug — gearbox .. .. .	1
56	70-8896	“O” ring — drain plug .. .. .	1
57	57-4308	Selector fork — mainshaft .. .. .	1
58	57-4307	Selector fork — layshaft .. .. .	1
59	21-1862	“Taptite” screw — cable clip (6 UN.C. × 32 t.p.i. × ¼")	2
60	70-9327	Cable clip .. .. .	1
61	71-1447	Gasket — inner cover to crankcase .. .. .	1



**Plate 8**



**Plate 8**

**GEARBOX — 5-SPEED**  
(as standard 4-speed unit except for the following)

Key No.	Spares No.	Description	Per Set
1	57-4394	Oil seal housing — gearbox mainshaft .. .. .	1
2	60-3510	Oil seal — gearbox mainshaft .. .. .	1
3	21-2106	Screw — oil seal housing to crankcase ( $\frac{1}{4}$ " UN.C. $\times \frac{9}{16}$ " ) .. .. .	3
4	57-4396	Nut — gearbox final drive sprocket .. .. .	1
5	57-4395	Lockwasher — gearbox sprocket nut .. .. .	1
6	57-4397	Sprocket — gearbox final drive (19T) .. .. .	1
7	57-4382	Layshaft with fourth and top gear pinions .. .. .	1
7	57-4371	Layshaft only .. .. .	1
8	68-3218	Key — clutch hub to mainshaft .. .. .	1
9	57-4370	Mainshaft .. .. .	1
10	60-3500	Oil seal — mainshaft top gear .. .. .	1
11	57-4383	Gear — layshaft top .. .. .	1
12	60-3494	Circlip — layshaft fourth .. .. .	1
13	57-4386	Bush — layshaft fourth .. .. .	1
14	57-4384	Gear — layshaft fourth .. .. .	1
15	57-4387	Gear — layshaft third .. .. .	1
16	57-4390	Bush — layshaft second .. .. .	1
17	57-4388	Gear — layshaft second .. .. .	1
18	57-4391	Gear — layshaft first .. .. .	1
19	57-4393	Bush — layshaft first .. .. .	1
20	60-3494	Circlip — layshaft driving dog .. .. .	1
21	57-4381	Driving dog — layshaft .. .. .	1
22	57-3989	Spindle — selector forks .. .. .	1
23	57-4368	Selector fork — layshaft first gear .. .. .	1
24	57-4380	Gear — mainshaft first and second .. .. .	1
25	57-4377	Gear and bush — mainshaft third .. .. .	1
26	57-4376	Gear — mainshaft fourth .. .. .	1
27	60-3511	Needle bearing — mainshaft high gear .. .. .	2
28	00-5242*	Top gear complete with needle roller bearing, main bearing and oil seal .. .. .	1
29	57-4364	Selector fork — mainshaft .. .. .	1
30	57-4366	Selector fork — layshaft third gear .. .. .	1
31	57-4360	Camplate .. .. .	1
32	57-4363	Quadrant — gearchange .. .. .	1
33	57-4289	Support — camplate spring .. .. .	1
34	57-4402	Camplate spring .. .. .	1
35	57-4374	Quadrant — gearchange plunger .. .. .	1
36	57-4403	Plunger — gearchange quadrant .. .. .	1

\*Individual parts, although illustrated for information, are not supplied separately except for Needle bearing 60-3511 and Oil seal 60-3500.



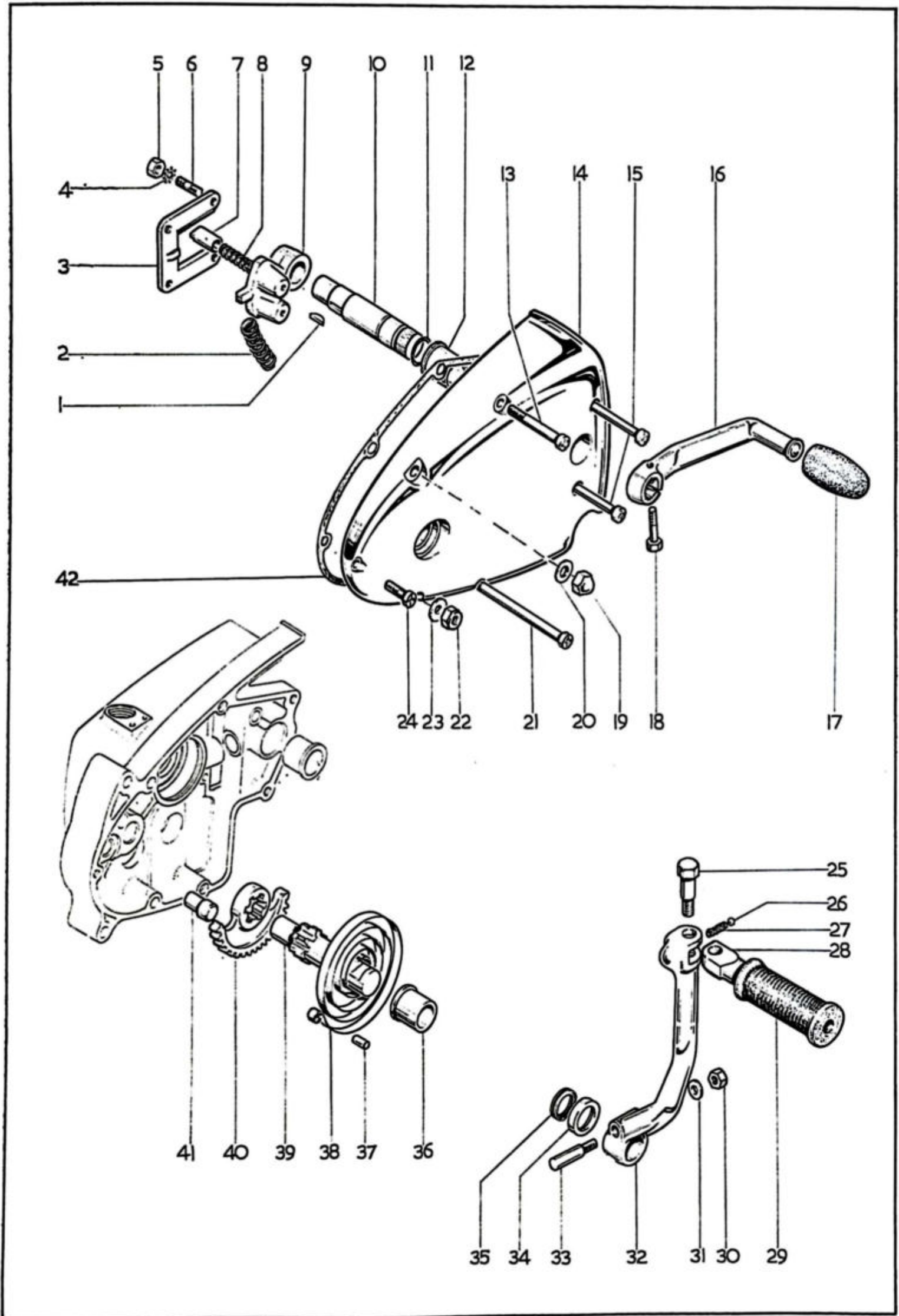


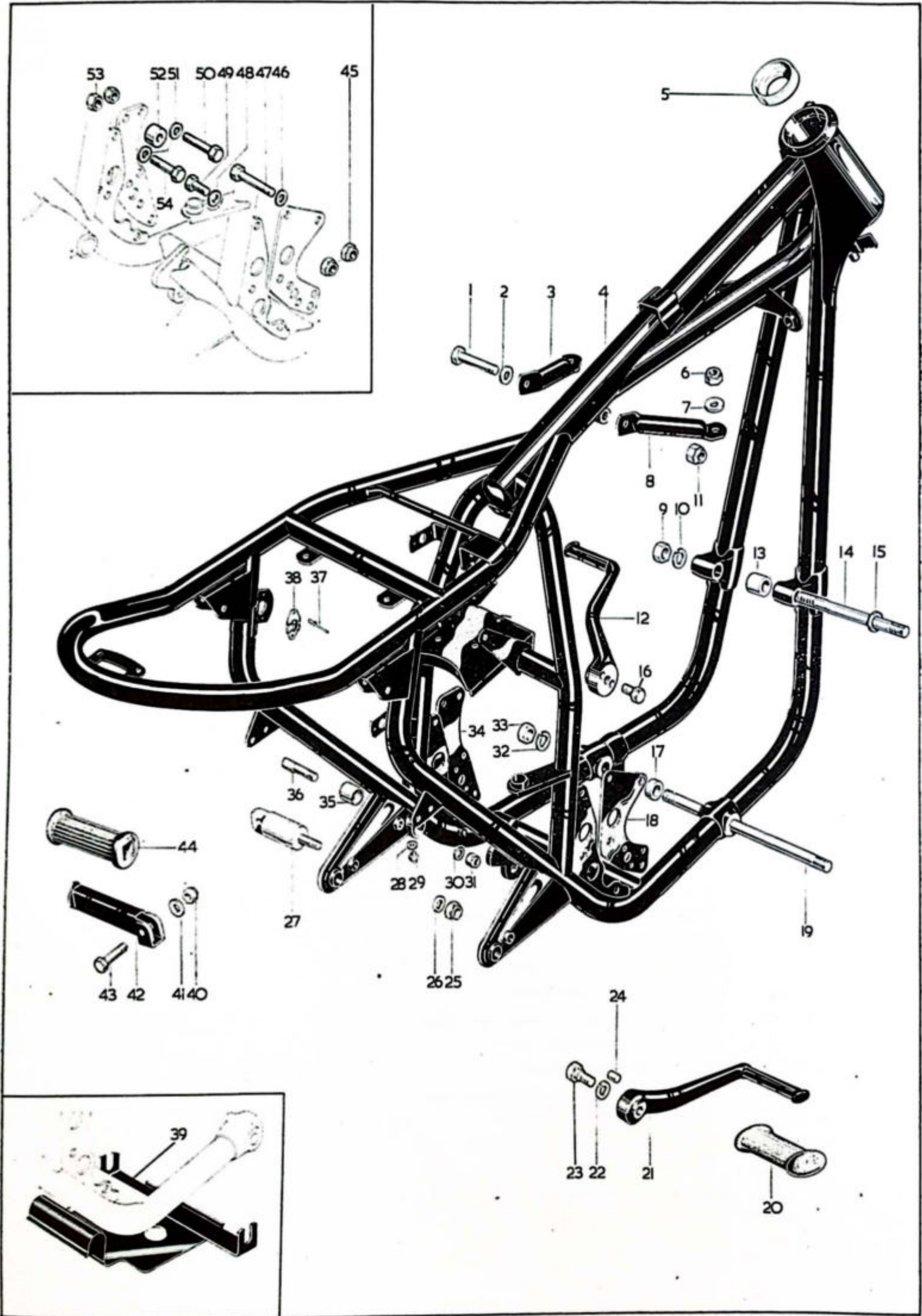
Plate 9

GEARBOX COVER — GEARCHANGE — KICKSTART CRANK

Key No.	Spares No.	Description	Per Set
1	71-0037	Key — quadrant to spindle .. .. .	1
2	57-0404	Spring — footchange pedal return .. .. .	2
3	57-0407	Plate — gear control guide .. .. .	1
4	29-0541	Washer — shakeproof, guide plate nut (.265" × .468" × .024") .. .. .	4
5	14-0301	Nut — gear control guide plate stud ( $\frac{1}{4}$ " UN.F.) .. .. .	4
6	21-0547	Stud — gear control guide plate ( $\frac{1}{4}$ " UN.C./UN.F. × $\frac{7}{8}$ ") .. .. .	4
7	57-0406	Plunger — gearchange quadrant .. .. .	2
8	57-0405	Spring — gearchange quadrant .. .. .	2
9	57-0409	Quadrant — gearchange plunger .. .. .	1
10	57-4445	Spindle — gearchange quadrant .. .. .	1
11	60-3530	"O" ring — gearchange quadrant spindle .. .. .	1
12	57-3759	Bush — outer cover, gearchange quadrant spindle .. .. .	1
13	14-6613	Screw — outer to inner cover ( $\frac{1}{4}$ " UN.C. × 2 $\frac{1}{4}$ ") .. .. .	1
14	57-2737	Outer cover — gearbox, with oil seal, bushes and studs .. .. .	1
15	14-6615	Screw — outer to inner cover ( $\frac{1}{4}$ " UN.C. × 3") .. .. .	2
16	57-3757	Pedal — gearchange .. .. .	1
17	89-3208	Rubber — gearchange pedal .. .. .	1
18	14-0201	Bolt — gearchange pedal clamping ( $\frac{1}{4}$ " UN.F. × 1") .. .. .	1
19	21-0544	Nut — domed, outer cover stud, top ( $\frac{5}{16}$ " UN.F.) .. .. .	1
20	54-0055	Washer — outer cover domed nut (.344" × .625" × .063") .. .. .	1
21	21-2139	Screw — outer cover to crankcase ( $\frac{1}{4}$ " UN.C. × 5 $\frac{3}{8}$ ") .. .. .	1
22	14-1302	Nut — outer cover bottom stud ( $\frac{5}{16}$ " UN.F.) .. .. .	1
23	54-0055	Washer — outer cover bottom stud (.344" × .625" × .063") .. .. .	1
24	14-6608	Screw — outer to inner cover ( $\frac{1}{4}$ " UN.C. × 1") .. .. .	1
25	21-0541	Bolt — kickstart pedal pivot .. .. .	1
26	60-2364	Steel ball — kickstart folding pedal ( $\frac{1}{4}$ " diameter) .. .. .	1
27	40-3085	Spring — kickstart folding pedal .. .. .	1
28	57-1272	Folding pedal — kickstart crank .. .. .	1
29	57-2330	Rubber — kickstart pedal .. .. .	1
30	14-1301	Nut — kickstart crank cotter ( $\frac{1}{4}$ " UN.F.) .. .. .	1
31	60-2320	Washer — kickstart crank cotter (.270" × .562" × .056") .. .. .	1
32	57-2173	Kickstart crank .. .. .	1
32	57-3632	Kickstart crank — complete assembly .. .. .	1
33	57-4357	Cotter — kickstart crank .. .. .	1
34	57-1955	Oil seal housing — kickstart crank .. .. .	1
35	57-1956	Oil seal — kickstart crank .. .. .	1
36	57-0023	Bush — kickstart shaft .. .. .	1
37	57-0047	Anchor pin — kickstart return spring .. .. .	1
38	57-0031	Spring — kickstart return .. .. .	1
39	57-0024	Spindle — kickstart quadrant .. .. .	1
40	57-4117	Kickstart quadrant .. .. .	1
40	57-2297	Kickstart quadrant and spindle .. .. .	1
41	57-0045	Stop peg — kickstart quadrant .. .. .	1
42	71-1450	Gasket — inner to outer cover .. .. .	1



Plate 10



**Plate 10**

**FRAME AND FITTINGS**

Key No.	Spares No.	Description	Per Set
1	14-0237	Bolt — steady stay to frame ( $\frac{3}{8}$ " UN.F. $\times$ 2 $\frac{1}{2}$ " ) .. .. .	1
2	02-2138	Washer — steady stay to frame ( $\cdot$ 380" $\times$ $\cdot$ 750" $\times$ $\cdot$ 064") .. .. .	1
3	82-9378	Steady stay — left .. .. .	1
4	83-3262	Frame complete .. .. .	1
5	97-0111	Cup — steering head .. .. .	2
6	14-1302	Nut — steady stay to cylinder head ( $\frac{5}{16}$ " UN.F.) .. .. .	2
7	60-2321	Washer — steady stay to cylinder head ( $\cdot$ 333" $\times$ $\cdot$ 625" $\times$ $\cdot$ 072") .. .. .	2
8	82-9379	Steady stay — right .. .. .	1
9	14-0304	Nut — front engine mounting stud ( $\frac{7}{16}$ " UN.F.) .. .. .	2
10	02-1967	Washer — spring, front engine mounting stud ( $\cdot$ 440" $\times$ $\cdot$ 875" $\times$ $\cdot$ 064") .. .. .	2
11	14-1903	Nut — steady stay to frame ( $\frac{3}{8}$ " UN.F.) .. .. .	1
12	82-9625	Footrest — left .. .. .	1
13	82-8508	Distance piece — front engine mounting stud .. .. .	1
14	21-0779*	Stud — engine mounting, front ( $\frac{7}{16}$ " UN.F. $\times$ 7") .. .. .	1
15	15-0431	Washer — front engine mounting stud ( $\cdot$ 447" $\times$ $\cdot$ 750" $\times$ $\cdot$ 064") .. .. .	2
16	14-0145	Bolt — footrest, left ( $\frac{1}{2}$ " UN.F. $\times$ 1") .. .. .	1
17	82-8510	Distance piece — bottom engine stud .. .. .	1
18	82-9642	Engine plate — right .. .. .	1
19	21-0780*	Stud — bottom engine mounting ( $\frac{7}{16}$ " UN.F. $\times$ 11 $\frac{1}{8}$ " ) .. .. .	1
20	82-9686	Rubber — front footrest (left) .. .. .	1
20	40-4850	Rubber — front footrest (right) .. .. .	1
21	82-9624	Footrest — right .. .. .	1
22	03-0107	Spring washer — front footrest bolt ( $\cdot$ 531" $\times$ $\cdot$ 763" $\times$ $\cdot$ 116") .. .. .	2
23	21-2018	Bolt — front footrest mounting, right .. .. .	1
24	82-5943	Footrest peg .. .. .	4
25	14-1303	Locknut — rear footrest anchor bolt ( $\frac{3}{8}$ " UN.F.) .. .. .	2
26	60-2322	Washer — rear footrest anchor bolt ( $\cdot$ 395" $\times$ $\cdot$ 750" $\times$ $\cdot$ 072") .. .. .	2
27	82-9653	Anchor bolt — rear footrest .. .. .	2

\*Special material: 14—EN16T. 20—EN16T.



Plate 10—Cont.

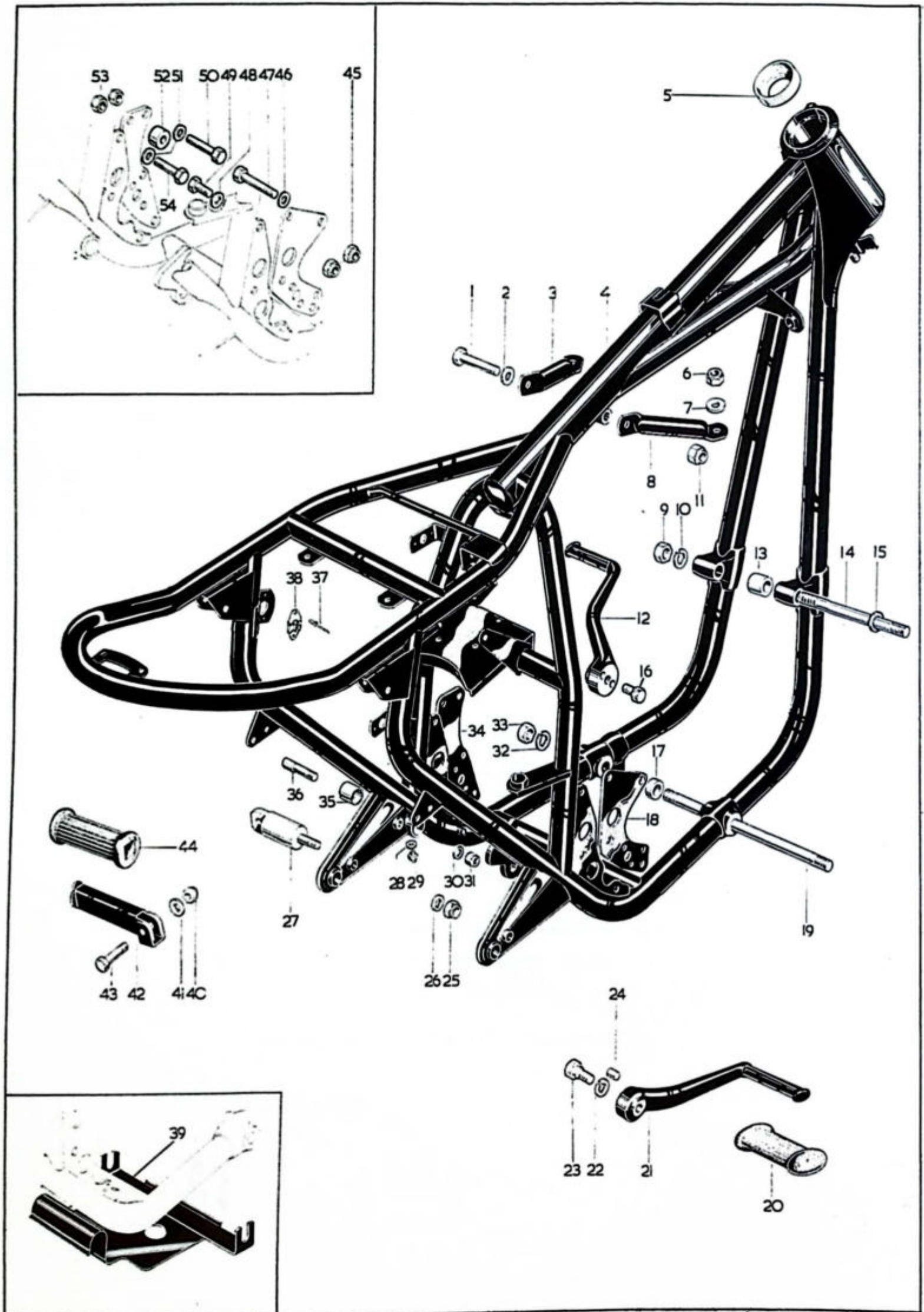


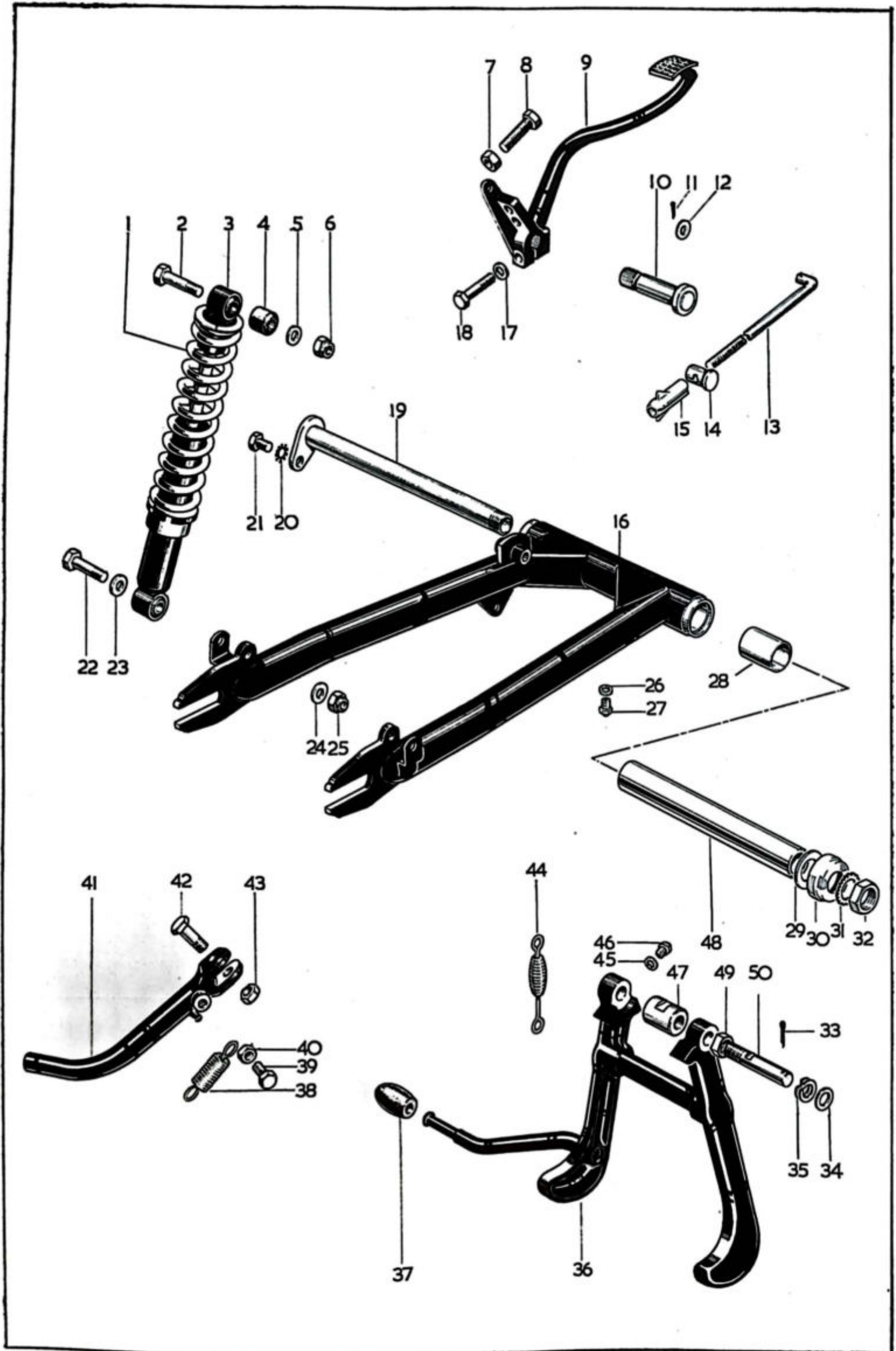
Plate 10---contd.

FRAME AND FITTINGS

Key No.	Spares No.	Description	Per Set
28	24-1088	Washer — fibre, grease nipple .. .. .	1
29	47-9012	Grease nipple — brake pedal .. .. .	1
30	60-2330	Washer — stop peg (.333" × .625" × .040") .. .. .	1
31	14-1302	Nut — stop peg ( $\frac{5}{16}$ " UN.F.) .. .. .	1
32	02-1967	Washer — spring, bottom engine stud (.440" × .875" × .064") .. .. .	2
33	14-0304	Nut — bottom engine mounting stud ( $\frac{7}{16}$ " UN.F.) .. .. .	2
34	82-9641	Engine plate — left .. .. .	1
35	82-8918	Bush — brake pedal .. .. .	1
36	83-3987	Stop peg — brake pedal .. .. .	1
37	68-9337	Rivet — "Oddie" clip .. .. .	6
38	68-9115	"Oddie" clip .. .. .	3
39	82-9684	Engine shield .. .. .	1
40	14-1302	Nut — rear footrest swivel bolt ( $\frac{5}{16}$ " UN.F.) .. .. .	2
41	60-2330	Washer — swivel bolt (.333" × .625" × .040") .. .. .	2
42	68-4835	Rear footrest complete .. .. .	2
43	14-0217	Pivot bolt — rear footrest ( $\frac{5}{16}$ " UN.F. × 1 $\frac{1}{4}$ ") .. .. .	2
44	29-7583	Rubber — rear footrest .. .. .	2
45	14-1302	Nut — engine plate bolt ( $\frac{5}{16}$ " UN.F.) .. .. .	5
46	02-0923	Washer — engine plate bolt (.317" × .625" × .064") .. .. .	5
47	14-0221	Bolt — engine plate, right ( $\frac{5}{16}$ " UN.F. × 2") .. .. .	2
48	02-0923	Washer — engine plate bolt (.317" × .625" × .064") .. .. .	5
49	14-0115	Bolt — engine plate, right ( $\frac{5}{16}$ " UN.F. × $\frac{7}{8}$ ") .. .. .	3
50	14-0220	Bolt — engine plate, left ( $\frac{5}{16}$ " UN.F. × 1 $\frac{3}{8}$ ") .. .. .	2
51	02-0923	Washer — engine plate bolts (.317" × .625" × .064") .. .. .	10
52	82-8509	Distance piece — rear engine plate (left) .. .. .	3
53	14-1302	Nut — engine plate bolt ( $\frac{5}{16}$ " UN.F.) .. .. .	5
54	14-0218	Bolt — engine plate, left ( $\frac{5}{16}$ " UN.F. × 1 $\frac{3}{8}$ ") .. .. .	3



Plate 11



**Plate 11**
**SWINGING ARM — CENTRE STAND — REAR BRAKE CONTROL**

Key No.	Spares No.	Description	Per Set
1	19-7447	Spring — rear suspension unit (Girling 64544120) .. .. .	2
2	14-0235	Bolt — suspension unit mounting, top, and bottom right ( $\frac{3}{8}$ " UN.F. $\times$ 2") ..	3
3	19-7477	Rear suspension unit (Girling 64052491) .. .. .	2
4	19-5305	Bush — suspension unit, top (Girling 64533645) .. .. .	2
5	30-0733	Washer — suspension unit mounting, top ( $\cdot 391$ " $\times$ $\cdot 875$ " $\times$ $\cdot 062$ ") ..	2
6	14-1303	Nut — suspension unit mounting, top ( $\frac{3}{8}$ " UN.F.) .. .. .	2
7	14-0401	Nut — brake pedal stop and stop switch adjuster ( $\frac{1}{4}$ " UN.F.) .. .. .	2
8	14-0106	Bolt — brake pedal stop and stop switch adjuster ( $\frac{1}{4}$ " UN.F. $\times$ $1\frac{1}{4}$ ") ..	2
9	83-3985	Pedal — rear brake .. .. .	1
10	83-3241	Shaft — brake pedal operating .. .. .	1
11	60-2683	Split pin — brake rod ( $\frac{1}{16}$ " $\times$ $\frac{3}{8}$ ") .. .. .	1
12	83-4277	Plain washer — brake rod ( $\cdot 265$ " $\times$ $\cdot 468$ " $\times$ $\cdot 064$ ") .. .. .	1
13	83-3242	Brake rod .. .. .	1
14	37-1467	Pivot pin — brake rod .. .. .	1
15	82-7387	Adjuster nut — brake rod .. .. .	1
16	83-3243	Swinging arm with bushes .. .. .	1
17	15-5155	Washer — brake pedal pinch bolt ( $\cdot 328$ " $\times$ $\cdot 505$ " $\times$ $\cdot 048$ ") .. .. .	1
18	14-0217	Bolt — brake pedal pinch bolt ( $\frac{5}{16}$ " UN.F. $\times$ $1\frac{1}{4}$ ") .. .. .	1
19	82-8468	Spindle — swinging arm .. .. .	1
20	36-0382	Washer — spring, spindle locking plate ( $\frac{5}{16}$ " .. .. .	1
21	14-0113	Bolt — spindle locking plate ( $\frac{5}{16}$ " UN.F. $\times$ $\frac{5}{8}$ ") .. .. .	1
22	21-2099	Bolt — suspension unit bottom mounting, left ( $\frac{3}{8}$ " UN.F. $\times$ $1\frac{1}{8}$ ") ..	1
23	02-2138	Washer — suspension unit mounting, bottom ( $\cdot 380$ " $\times$ $\cdot 750$ " $\times$ $\cdot 064$ ") ..	2
24	02-2138	Washer — suspension unit mounting, bottom ( $\cdot 380$ " $\times$ $\cdot 750$ " $\times$ $\cdot 064$ ") ..	2
25	14-1303	Nut — suspension unit mounting, bottom ( $\frac{3}{8}$ " UN.F.) .. .. .	2
26	24-1088	Washer — fibre, grease nipple .. .. .	1
27	47-9012	Grease nipple — swinging arm .. .. .	1
28	82-8475	Bush — swinging arm .. .. .	2
29	82-8478	Thrust bearing — swinging arm .. .. .	2
30	82-8477	Dust cap — swinging arm bearing .. .. .	2
31	42-4364	Shakeproof washer ( $\cdot 825$ " $\times$ $1\cdot 250$ " $\times$ $\cdot 050$ ") .. .. .	1
32	21-0755	Nut — swinging arm spindle ( $\frac{13}{16}$ " UN.F.) .. .. .	1
33	60-2683	Split pin — centre stand spindle ( $\frac{1}{16}$ " $\times$ $\frac{3}{8}$ ") .. .. .	2
34	15-0039	Plain washer — centre stand spindle .. .. .	2
35	03-1346	Spring washer — centre stand spindle ( $\cdot 531$ " $\times$ $\cdot 875$ " $\times$ $\cdot 040$ " double) ..	2
36	83-1628	Centre stand .. .. .	1
37	57-2331	Rubber — centre stand pedal .. .. .	1
38	82-8382	Spring — prop stand return .. .. .	1
39	83-4085	Prop stand .. .. .	1
40	21-0769	Bolt — prop stand ( $\frac{7}{16}$ " UN.F. $\times$ $1\frac{5}{16}$ ") .. .. .	1
41	14-0404	Locknut — prop stand bolt ( $\frac{7}{16}$ " UN.F.) .. .. .	1
42	14-0116	Bolt — prop stand stop ( $\frac{5}{16}$ " UN.F. $\times$ 1") .. .. .	1
43	14-0302	Locknut — prop stand stop ( $\frac{5}{16}$ " UN.F.) .. .. .	1
44	68-4708	Spring — centre stand return .. .. .	1
45	54-4302	Washer — fibre, centre stand grease nipple .. .. .	2
46	47-9012	Grease nipple — centre stand .. .. .	2
47	82-8582	Coupling — centre stand pivot .. .. .	1
48	82-8476	Distance tube — swinging arm .. .. .	1
49	14-0405	Nut — centre stand pivot ( $\frac{1}{2}$ " UN.F.) .. .. .	2
50	83-1535	Pivot bar — centre stand .. .. .	2



Plate 12

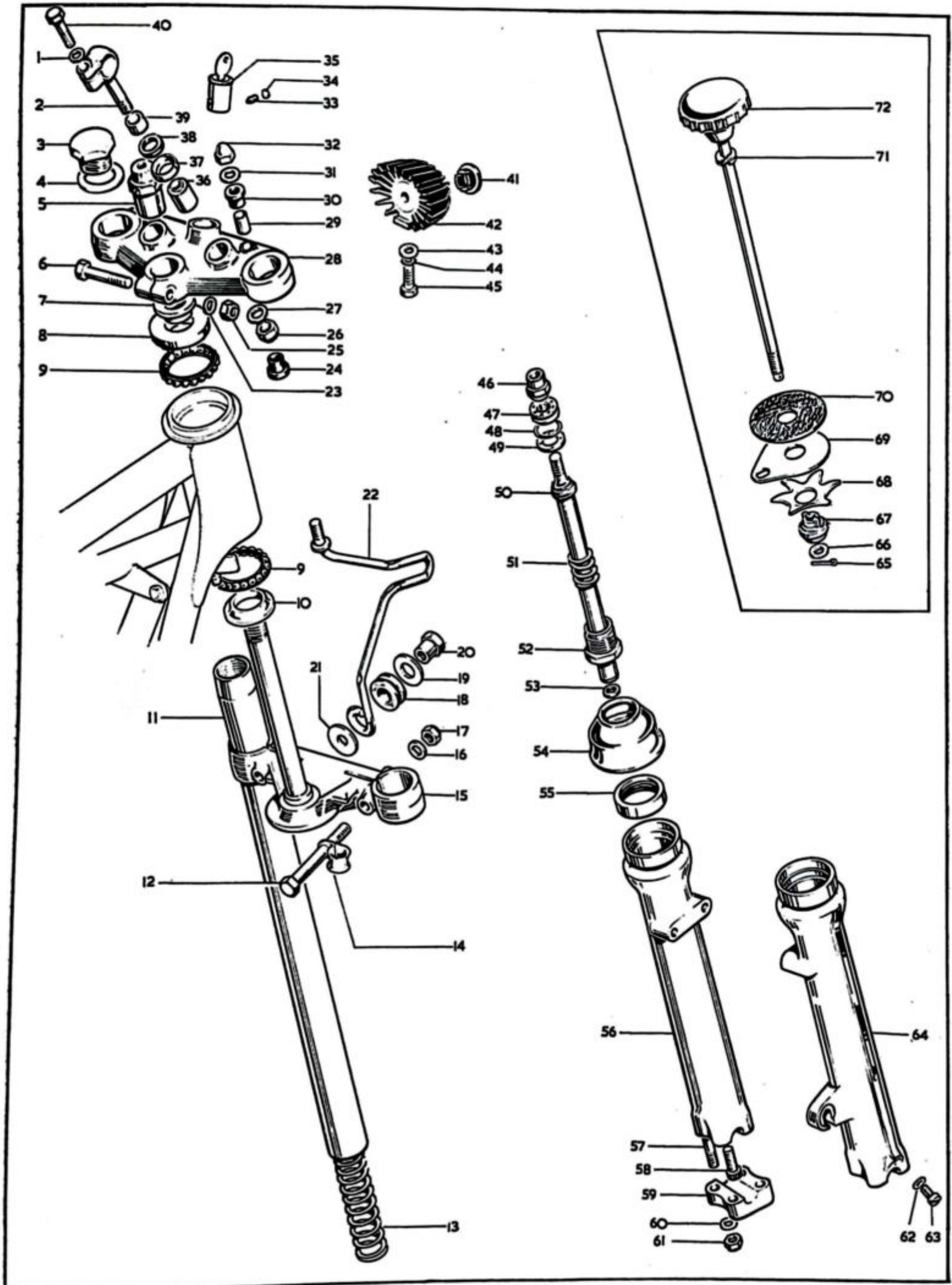


Plate 12

FRONT FORK

Key No.	Spares No.	Description	Per Set
	97-4340	Front fork complete .. .. .	1
1	82-1335	Washer — handlebar clamp bolt (.328" × .531" × .125") .. .. .	2
2	97-2291	Clamp — handlebar mounting .. .. .	2
3	97-4309	Nut — stanchion (top) .. .. .	2
4	97-4166	Washer — stanchion top nut .. .. .	2
5	97-4323	Nut — steering stem .. .. .	1
6	14-0234	Pinch bolt — top yoke ( $\frac{3}{8}$ " UN.F. × 1 $\frac{1}{4}$ ") .. .. .	1
7	97-4145	Collar — steering stem .. .. .	1
8	97-4157	Top cone and dust cover .. .. .	1
9	97-4034	Ballrace — steering head .. .. .	2
10	97-0439	Cone — steering race (bottom) .. .. .	1
11	97-4007	Stanchion .. .. .	2
12	14-0238	Pinch bolt — bottom yoke ( $\frac{3}{8}$ " UN.F. × 2 $\frac{1}{4}$ ") .. .. .	2
13	97-4215	Fork spring — main .. .. .	2
14	82-3098	Clip — front brake cable guide .. .. .	1
15	97-4341	Bottom yoke .. .. .	1
16	54-4307	Washer — bottom yoke pinch bolt (.406" × .750" × .063") .. .. .	2
17	14-1303	Nut — bottom yoke pinch bolt ( $\frac{3}{8}$ " UN.F.) .. .. .	2
18	60-2630	Grommet — headlamp bracket mounting, lower .. .. .	2
19	60-2333	Washer — headlamp bracket mounting, lower (.515" × .995" × .056") .. .. .	2
20	21-2062	Sleeve nut — headlamp bracket mounting, lower .. .. .	2
21	82-9046	Washer — headlamp bracket mounting, lower .. .. .	2
22	97-4163	Bracket — headlamp mounting (right) .. .. .	1
22	97-4162	Bracket — headlamp mounting (left) .. .. .	1
23	54-4307	Washer — top yoke pinch bolt (.406" × .750" × .063") .. .. .	1
24	83-2209	Bush — rubber, headlamp bracket mounting (top) .. .. .	2
25	14-1303	Nut — top yoke pinch bolt ( $\frac{3}{8}$ " UN.F.) .. .. .	1
26	14-1303	Nut — handlebar clamp ( $\frac{3}{8}$ " UN.F.) .. .. .	2
27	97-1529	Washer — handlebar clamp nut .. .. .	2
28	97-4084	Top yoke with lock and keys .. .. .	1
29	83-2211	Distance piece — headlamp bracket .. .. .	2
30	83-2209	Bush — rubber, headlamp bracket mounting (top) .. .. .	2
31	60-2338	Washer — headlamp bracket top fixing nut (.270" × .625" × .056") .. .. .	2
32	21-1809	Nut — headlamp bracket top fixing ( $\frac{1}{4}$ " UN.F.) .. .. .	2
33	21-0578	Grub-screw — steering lock locating .. .. .	1
34	97-2266	Sealing washer — steering lock grub-screw .. .. .	1
35	68-5050	Steering lock complete with keys .. .. .	1



Plate 12—Cont.

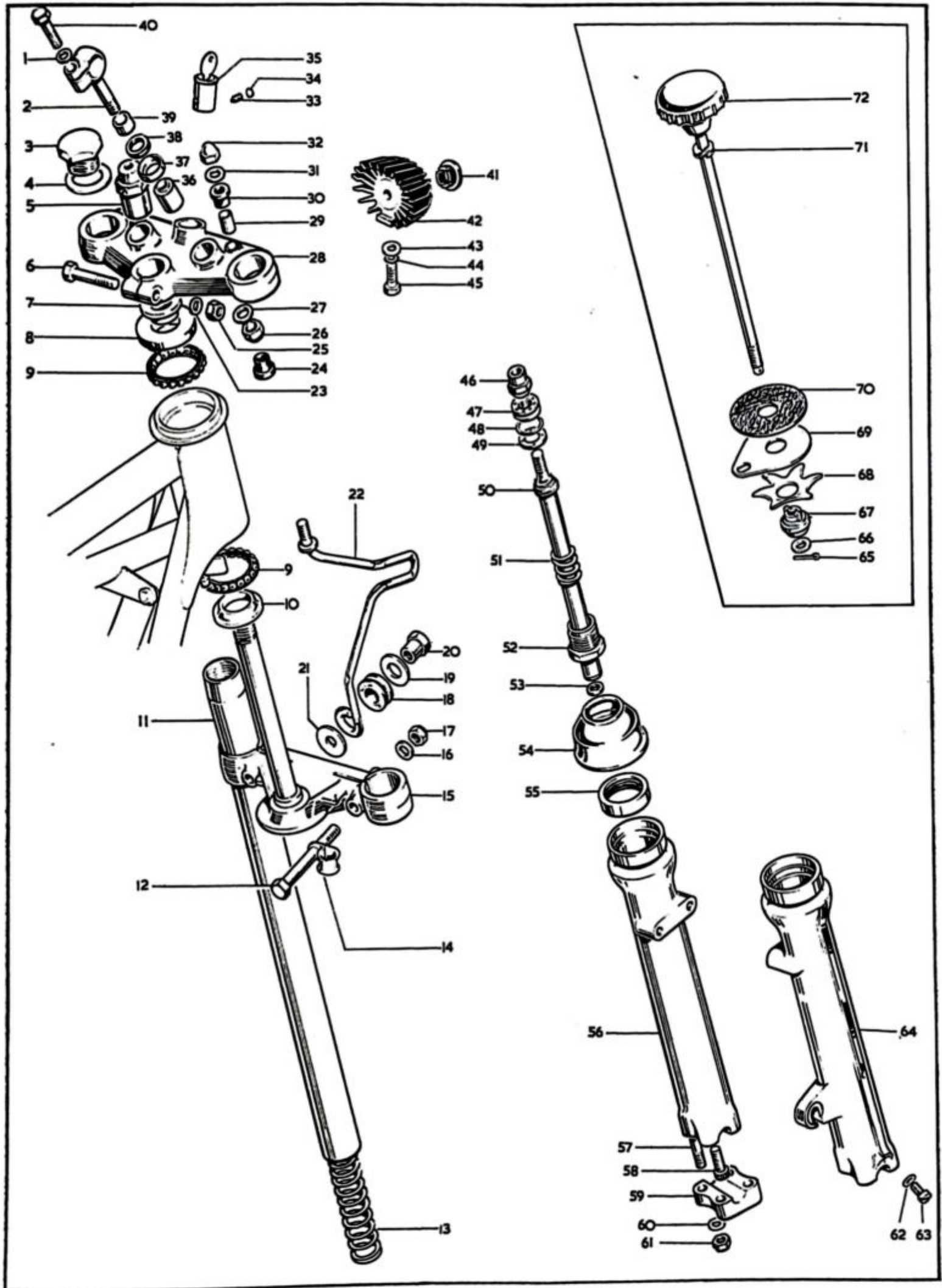


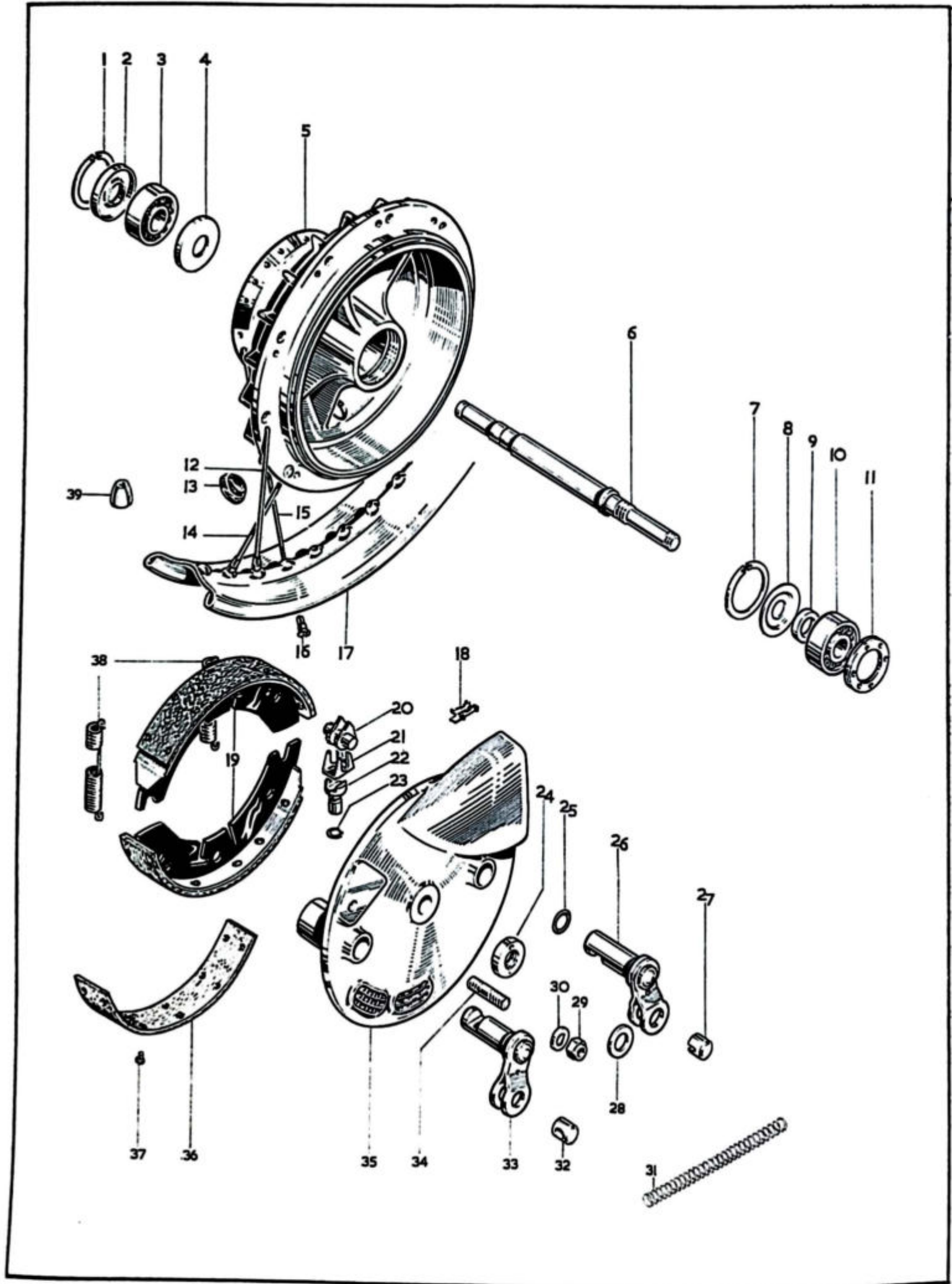
Plate 12—contd.

FRONT FORK

Key No.	Spares No.	Description	Per Set
36	97-1527	Bush — rubber, handlebar clamp mounting .. .. .	2
37	97-2221	Cup — handlebar clamp mounting .. .. .	2
38	97-1580	Washer — rubber, handlebar clamp mounting .. .. .	2
39	97-1581	Distance piece — handlebar clamp mounting .. .. .	2
40	21-0589	Bolt — handlebar clamp ( $\frac{5}{16}$ " UN.F. $\times$ $1\frac{1}{8}$ " ) .. .. .	2
41	97-2275	Plug — heat sink .. .. .	1
42	97-2237	Heat sink — zener diode .. .. .	1
43	54-0022	Washer — heat sink fixing bolt .. .. .	1
44	29-0541	Washer — shakeproof, heat sink fixing ( $\cdot 265$ " $\times$ $\cdot 468$ " $\times$ $\cdot 024$ " ) .. .. .	1
45	14-6102	Bolt — heat sink fixing ( $\frac{1}{4}$ " UN.C. $\times$ $\frac{5}{8}$ " ) .. .. .	1
46	97-4244	Nut — damper valve .. .. .	2
47	97-4020	Valve — damper .. .. .	2
48	97-4003	"O" ring — damper valve .. .. .	2
49	97-4010	Washer — damper valve .. .. .	2
50	97-4242	Damper tube assembly .. .. .	2
51	97-4009	Spring — recoil .. .. .	2
52	97-4076	Plug — stanchion end .. .. .	2
53	97-4004	Dowty seal — damper tube retaining screw .. .. .	2
54	97-4002	Scraper sleeve .. .. .	2
55	97-4001	Oil seal — outer member .. .. .	2
56	97-4033	Outer member — left .. .. .	1
57	21-2102	Stud — fork end ( $\frac{5}{16}$ " UN.F./UN.C. $\times$ $1\frac{7}{8}$ " ) .. .. .	2
58	14-1019	Allen screw — damper valve retaining ( $\frac{5}{16}$ " UN.F. $\times$ $\frac{7}{8}$ " ) .. .. .	2
59	97-3947	Cap — fork end .. .. .	2
60	60-2428	Washer — spring, fork end stud ( $\cdot 344$ " $\times$ $\cdot 600$ " $\times$ $\cdot 064$ " ) .. .. .	8
61	14-0302	Nut — fork end stud ( $\frac{5}{16}$ " UN.F.) .. .. .	8
62	97-3893	Washer — fibre, drain plug .. .. .	2
63	97-3894	Drain plug — outer member .. .. .	2
64	97-4085	Outer member — right .. .. .	1
65	60-2720	Split pin — steering damper rod ( $\frac{3}{32}$ " $\times$ $\frac{1}{2}$ " ) .. .. .	1
66	60-2329	Washer — steering damper rod ( $\cdot 265$ " $\times$ $\cdot 557$ " $\times$ $\cdot 036$ " ) .. .. .	1
67	97-4102	Nut — steering damper .. .. .	1
68	97-0095	Spring plate — steering damper .. .. .	1
69	97-1797	Anchor plate — steering damper .. .. .	1
70	97-0435	Friction disc — steering damper .. .. .	1
71	60-2438	Washer — spring, steering damper rod ( $\cdot 344$ " $\times$ $\cdot 576$ " $\times$ $\cdot 048$ " ) .. .. .	1
72	97-3875	Steering damper rod .. .. .	1



Plate 13

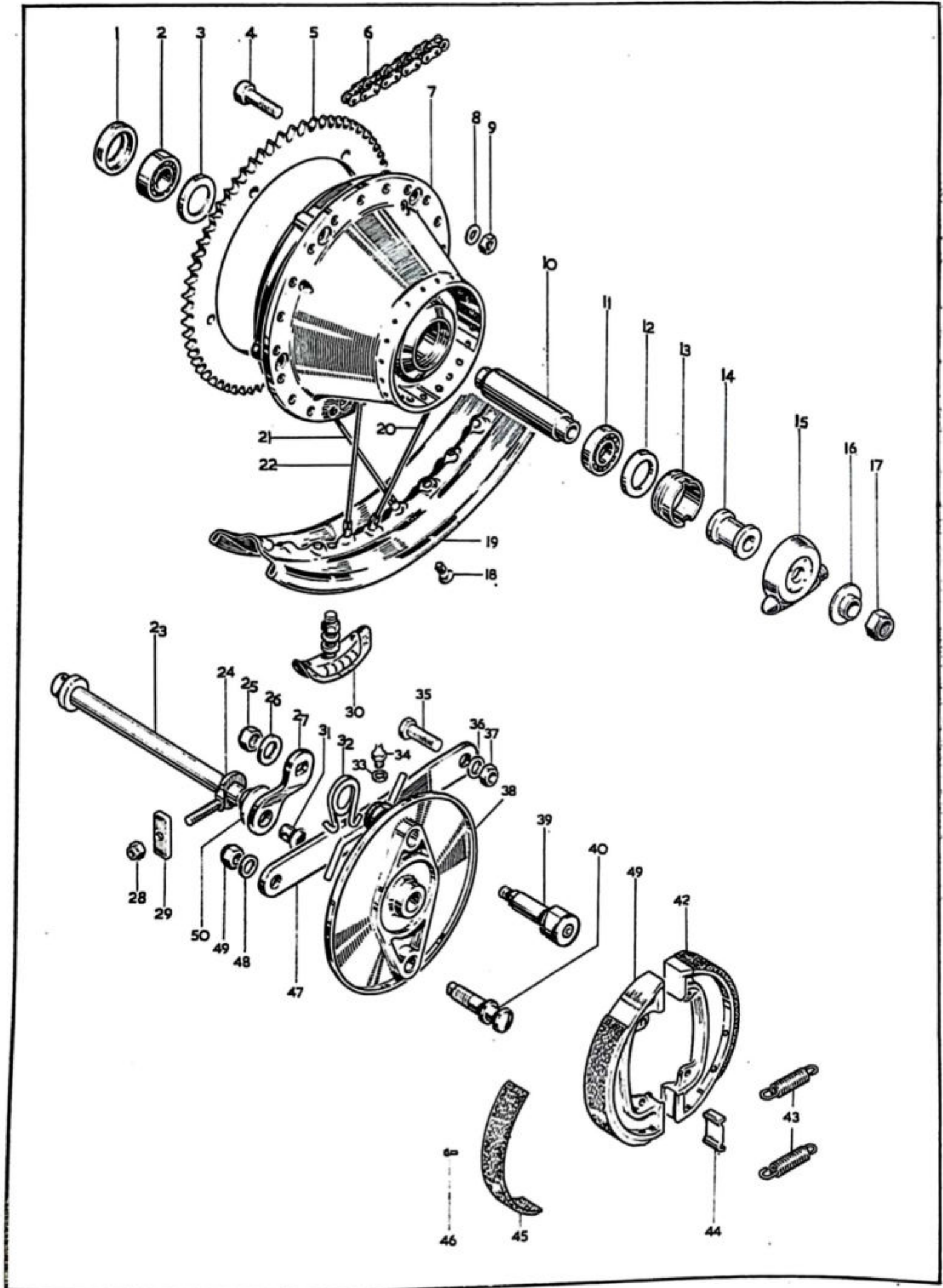


**Plate 13**
**FRONT WHEEL**

Key No.	Spares No.	Description	Per Set
	37-3846	Front wheel with spindle and bearings	1
1	57-0280	Circlip — grease retainer (left)	1
2	37-1237	Grease retainer — outer (left)	1
3	37-0653	Bearing (Hoffmann 120)	1
4	37-1481	Grease retainer — inner (left)	1
5	37-3848	Hub complete with spindle and bearings	1
6	37-3796	Spindle	1
7	60-2632	Circlip — grease retainer (right)	1
8	37-3797	Grease retainer — right	1
9	37-3932	Distance piece — inner side of right bearing	1
10	37-0653	Bearing (Hoffmann 120)	1
11	37-3759	Locking ring	1
12	37-3819	Spoke — right (outer)	10
13	60-3669	Grommet — brake drum	1
14	37-3820	Spoke — right (inner)	10
15	37-3821	Spoke — left	20
16	37-2294	Spoke nipple	40
17	37-3818	Wheel rim (WM2 × 19)	1
18	19-7743	Abutment — Micram adjuster (Lockheed 25241)	1
19	19-7744	Brake shoe complete (Lockheed 4523-166)	2
20	19-7742	Micram adjuster (Lockheed 3135-514)	2
21	19-7741	Cage — brake adjuster (Lockheed 25253)	2
22	37-3762	Tappet — brake cam	2
23	37-3761	“O” ring — brake tappet	2
24	37-2058	Locking nut — wheel spindle	1
25	60-2639	“O” ring — brake cam	2
26	37-3987	Brake lever — front	2
27	37-3997	Bush — front brake cable nipple	1
28	67-0645	Washer — cable bush and abutment (.578" × .375" × .064")	2
29	14-1303	Nut — anchor plate stud ( $\frac{3}{8}$ " UN.F.)	1
30	60-2340	Washer — anchor plate stud	1
31	37-4014	Spring — brake lever return, at brake cable	1
32	37-3996	Bush — front brake cable abutment	1
33	37-3986	Brake lever — rear	1
34	14-1635	Stud — anchor plate to fork ( $\frac{3}{8}$ " UN.C./UN.F. × 1 $\frac{3}{4}$ " )	1
35	37-3935	Brake anchor plate with brake	1
35	37-3655	Brake anchor plate	1
36	19-7466	Lining — brake shoe	2
37	19-7467	Rivet — brake shoe	20
38	19-7745	Spring — brake shoe	2
39	37-3969	Balance weight — short	as reqd.
39	37-3970	Balance weight — long	as reqd.



Plate 14

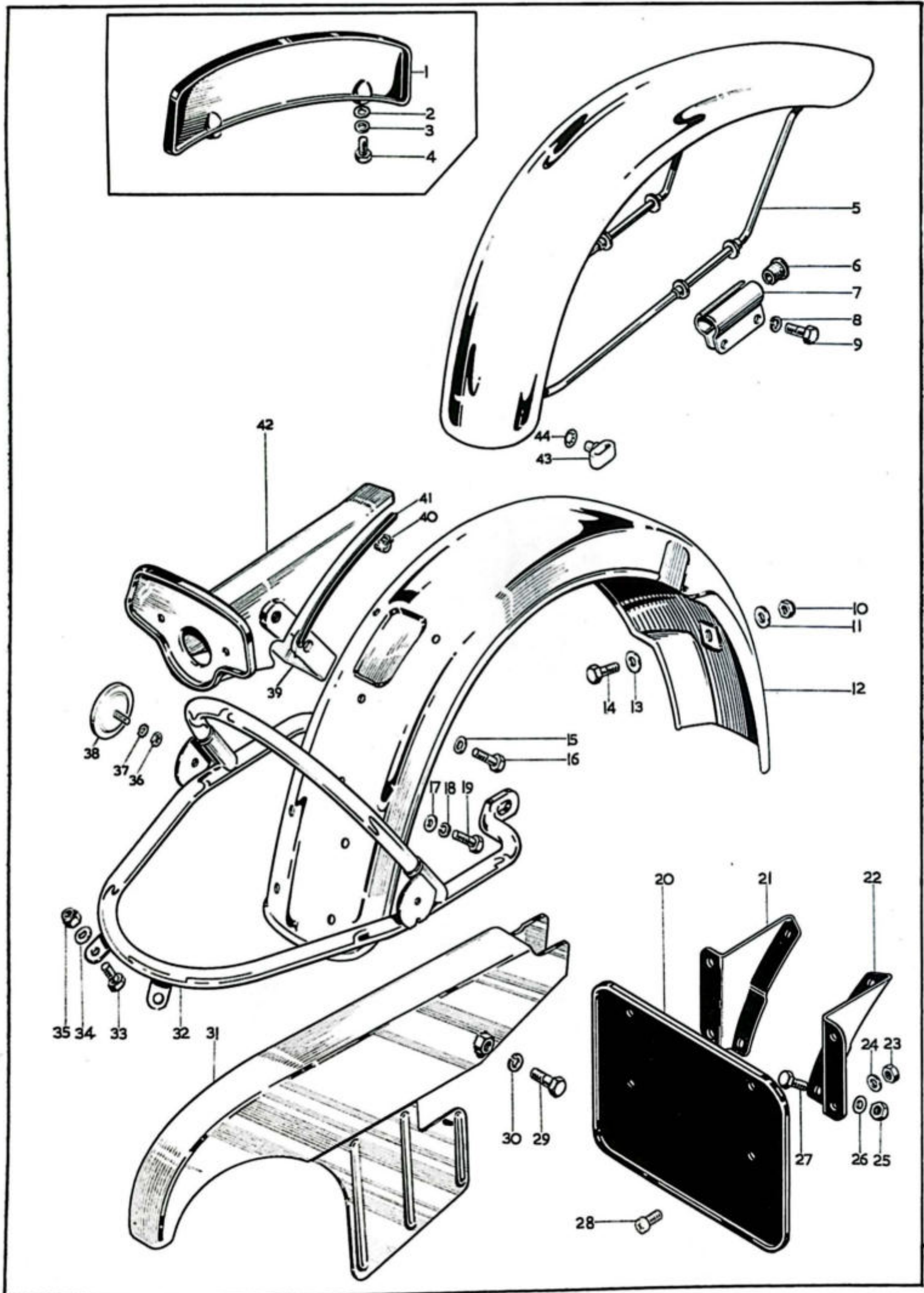


**Plate 14**
**REAR WHEEL**

Key No.	Spares No.	Description	Per Set
	37-3899	Rear wheel with spindle, less brake	1
1	37-3752	Locking ring — left	1
2	37-0653	Bearing — left (Hoffmann 120)	1
3	37-3749	Support ring — left	1
4	14-0207	Bolt — sprocket to hub ( $\frac{1}{4}$ " UN.F. $\times$ 2")	5
5	37-3903	Sprocket — rear wheel (53 teeth)	1
6	19-8693	Chain — rear, $\frac{5}{8}$ " $\times$ $\frac{3}{8}$ " $\times$ 108 pitches	1
7	37-3900	Hub with spindle and bearings	1
8	60-2320	Washer — sprocket to hub ( $\cdot$ 270" $\times$ $\cdot$ 562" $\times$ $\cdot$ 056")	5
9	14-1301	Nut — sprocket to hub ( $\frac{1}{4}$ " UN.F.)	5
10	37-3753	Distance tube — bearings	1
11	37-0653	Bearing — right (Hoffmann 120)	1
12	37-1654	Grease retainer — right	1
13	37-3751	Ring — speedometer driving	1
14	37-3750	Distance piece — speedometer drive (inner)	1
15	19-9225	Speedometer drive gearbox — Smiths BG3550/164 (1.25 : 1)	1
16	37-3976	Distance piece — wheel spindle (right)	1
17	14-1307	Nut — wheel spindle ( $\frac{5}{8}$ " UN.F.)	1
18	37-2294	Spoke nipple	40
19	37-3920	Rim (WM3 $\times$ 19)	1
20	37-3923	Spoke — right	20
21	37-3922	Spoke — left (outer)	10
22	37-3921	Spoke — left (inner)	10
23	37-3980	Wheel — spindle	1
24	37-3919	Chain adjuster	2
25	14-1303	Nut — brake lever ( $\frac{3}{8}$ " UN.F.)	1
26	60-2331	Washer — brake lever ( $\cdot$ 395" $\times$ $\cdot$ 750" $\times$ $\cdot$ 048")	1
27	37-4034	Brake lever	1
28	14-1902	Nut — chain adjuster ( $\frac{5}{16}$ " UN.F.)	2
29	40-6040	End plate — chain adjuster (left)	1
29	37-3961	End plate — chain adjuster (right)	1
30	37-3468	Security bolt	2
31	37-1467	Pivot pin — brake lever	1
32	37-4049	Spring — brake lever return	1
33	24-1088	Washer — fibre, anchor plate grease nipple	1
34	60-1841	Grease nipple — anchor plate	1
35	14-0133	Bolt — torque stay to swinging arm ( $\frac{7}{16}$ " UN.F. $\times$ 1")	1
36	15-0431	Washer — torque stay to swinging arm ( $\cdot$ 447" $\times$ $\cdot$ 750" $\times$ $\cdot$ 064")	1
37	14-1304	Nut — torque stay to swinging arm ( $\frac{7}{16}$ " UN.F.)	1
38	37-3856	Brake anchor plate	1
38	37-3955	Brake anchor plate with brake	1
39	37-3872	Cam — brake shoe	1
40	37-3870	Pivot — brake shoe	1
41	37-3925	Brake shoe — leading	1
42	37-3926	Brake shoe — trailing	1
43	37-2328	Spring — brake shoe	2
44	37-4071	Pivot pad — brake shoe	2
45	37-3876	Brake lining	2
46	42-5840	Rivet — lining to shoe	16
47	83-3266	Torque stay	1
48	60-2431	Washer — spring, torque stay to brake pivot ( $\cdot$ 531" $\times$ $\cdot$ 851" $\times$ $\cdot$ 092")	1
49	14-0305	Nut — torque stay to brake pivot ( $\frac{1}{2}$ " UN.F.)	1
50	37-3901	Distance piece — wheel spindle (left)	1



Plate 15



**Plate 15**

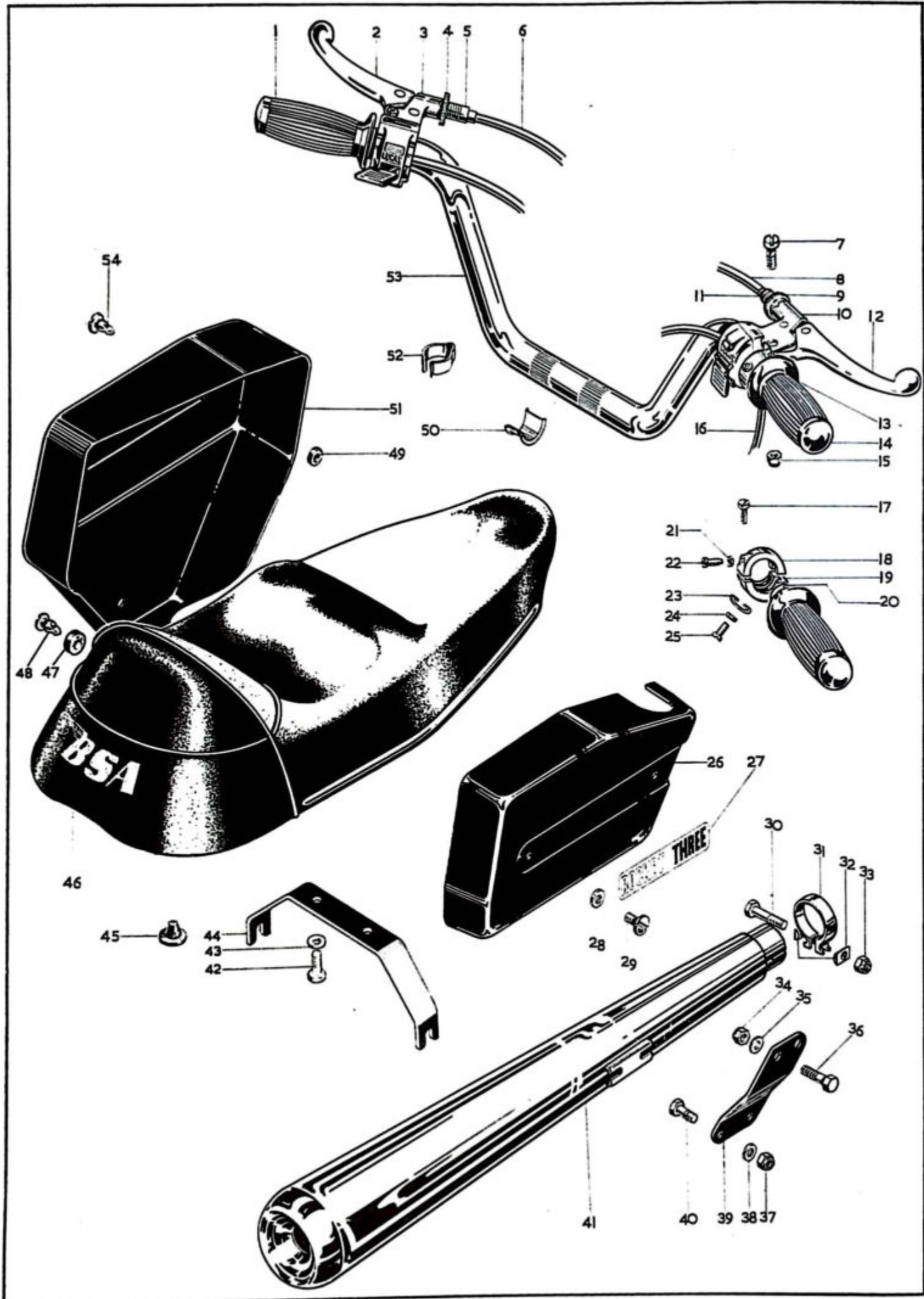
**MUDGUARDS — CHAINGUARD — NUMBER PLATES**

Key No.	Part No.	Description	Per Set
1	83-2834*	Front number plate .. .. .	1
2	68-0597*	Rubber washer — front number plate fixing .. .. .	2
3	90-6219*	Washer — front number plate fixing (.192" × .437" × .048") .. .. .	2
4	40-3044*	Screw — front number plate fixing (2 B.A. × 3/8") .. .. .	2
5	97-4270	Front mudguard .. .. .	1
5	97-4272*	Front mudguard .. .. .	1
6	97-4021	Rubber bush — mudguard mounting .. .. .	4
7	97-4022	Bracket — mudguard mounting .. .. .	4
8	60-2427	Spring washer — mounting bracket (.281" × .465" × .064") .. .. .	4
9	14-0103	Bolt — mudguard mounting (1/4" UN.F. × 3/4") .. .. .	4
10	14-1301	Nut — rear mudguard fixing (1/4" UN.F.) .. .. .	4
11	27-8560	Washer — rear mudguard fixing (.255" × .625" × .048") .. .. .	4
12	83-3160	Rear mudguard .. .. .	1
13	27-8560	Washer — rear mudguard fixing (.255" × .625" × .048") .. .. .	4
14	14-0101	Bolt — rear mudguard fixing (1/4" UN.F. × 1/2") .. .. .	4
15	60-2320	Washer — rear lamp housing top fixing (.270" × .562" × .056") .. .. .	1
16	14-6101	Bolt — top, rear lamp housing (1/4" UN.C. × 1/2") .. .. .	1
17	60-2320	Washer — rear lamp housing bottom fixing (.270" × .562" × .056") .. .. .	3
18	60-2417	Spring washer — rear lamp housing lower fixing (.281" × .425" × .072") .. .. .	2
19	14-0102	Bolt — rear lamp lower fixing (1/4" UN.F. × 5/8") .. .. .	2
20	83-2726*	Rear number plate .. .. .	1
21	83-2727	Fixing bracket — rear number plate (left) .. .. .	1
22	83-2728	Fixing bracket — rear number plate (right) .. .. .	1
23	14-0301*	Nut — rear number plate fixing (1/4" UN.F.) .. .. .	4
24	60-2320*	Washer — rear number plate fixing (.270" × .562" × .056") .. .. .	4
25	14-0301	Nut — rear number plate bracket to mudguard (1/4" UN.F.) .. .. .	4
26	60-2338	Washer — rear number plate bracket (.270" × .625" × .056") .. .. .	4
27	14-0101	Bolt — rear number plate bracket to mudguard (1/4" UN.F. × 1/2") .. .. .	4
28	14-0604*	Screw — rear number plate to bracket (1/4" UN.F. × 1/2") .. .. .	4
29	14-0206	Bolt — chainguard to swinging arm (1/4" UN.F. × 1 1/2") .. .. .	1
30	29-0541	Washer — chainguard fixing (.265" × .468" × .024") .. .. .	1
31	83-3259	Chainguard .. .. .	1
32	83-3443	Support rail and grab handle .. .. .	1
33	14-0102	Bolt — support rail to mudguard (1/4" UN.F. × 5/8") .. .. .	2
34	54-9081	Washer — support rail to mudguard (.281" × .563" × .078") .. .. .	2
35	14-1201	Nut — support rail to mudguard (1/4" UN.F.) .. .. .	2
36	54-9017	Nut — reflector fixing (2 BA.) .. .. .	2
37	60-2391	Washer — reflector fixing (.202" × .391" × .032") .. .. .	1
38	19-1339	Reflector .. .. .	1
39	83-3419	Bracket — flasher mounting .. .. .	1
40	60-3313	Spire nut — rear lamp housing top fixing .. .. .	1
41	83-3211	Rubber beading — rear lamp housing .. .. .	2
42	83-2736	Rear lamp housing .. .. .	1

\*Home and General Export only



Plate 16



**Plate 16**
**HANDLEBAR — DUAL SEAT — SIDE PANELS — SILENCERS**

Key No.	Spares No.	Description	Per Set
1	19-7221	Rubber grip — handlebar, left .. .. .	1
2	60-3657	Lever blade — clutch control .. .. .	1
3	19-1333†	Switch assembly — dip (Lucas 39595) .. .. .	1
4	60-3586	Adjuster nut — clutch cable .. .. .	1
5	60-3585	Adjuster sleeve — clutch cable .. .. .	1
6	60-2445	Cable — clutch .. .. .	1
7	21-2048	Pivot screw — clutch and brake levers ( $\frac{1}{4}$ " UN.F. $\times$ $\frac{15}{16}$ ") .. .. .	2
8	60-3557	Cable — front brake .. .. .	1
9	60-3586	Adjuster nut — brake cable .. .. .	1
10	19-1332†	Switch assembly — direction indicator (Lucas 39596) .. .. .	1
11	60-3585	Adjuster sleeve — clutch cable .. .. .	1
12	60-3583	Lever blade — front brake control .. .. .	1
13	19-7237	Throttle control — complete assembly .. .. .	1
14	19-7222	Rubber grip — handlebar, right .. .. .	1
15	14-1301	Locknut — lever pivot ( $\frac{1}{4}$ " UN.F.) .. .. .	2
16	60-2202	Throttle control cable .. .. .	1
17		Body screw — throttle control (Amal 11/013) .. .. .	2
18		Throttle control body — top half (Amal 364/013) .. .. .	1
19		Throttle control body — bottom half (Amal 364/014) .. .. .	1
20		Rotor — throttle control (Amal 364/017) .. .. .	1
21		Locknut — rotor adjusting screw (Amal 5/077) .. .. .	1
22		Rotor adjusting screw (Amal 364/020) .. .. .	1
23		Friction spring — throttle control (Amal 16/008) .. .. .	1
24		Locknut — friction spring screw (Amal 16/010) .. .. .	1
25		Friction spring screw (Amal 16/009) .. .. .	1
26	83-4158	Sidecover — right .. .. .	1
27	60-3727	Badge — side panels .. .. .	2
28	82-9964	Rubber washer .. .. .	2
29	21-0767	Screw — sidecover to oil tank ( $\frac{1}{4}$ " UN.F. $\times$ $\frac{7}{16}$ ") .. .. .	2
30	14-0219	Bolt — silencer clamp ( $\frac{5}{16}$ " UN.F. $\times$ $1\frac{1}{2}$ ") .. .. .	2
31	75-2725	Clamp — silencer to exhaust pipe .. .. .	2
32	75-2719	Saddle washer — silencer clamp .. .. .	4
33	14-1302	Nut — silencer clamp bolt ( $\frac{5}{16}$ " UN.F.) .. .. .	2



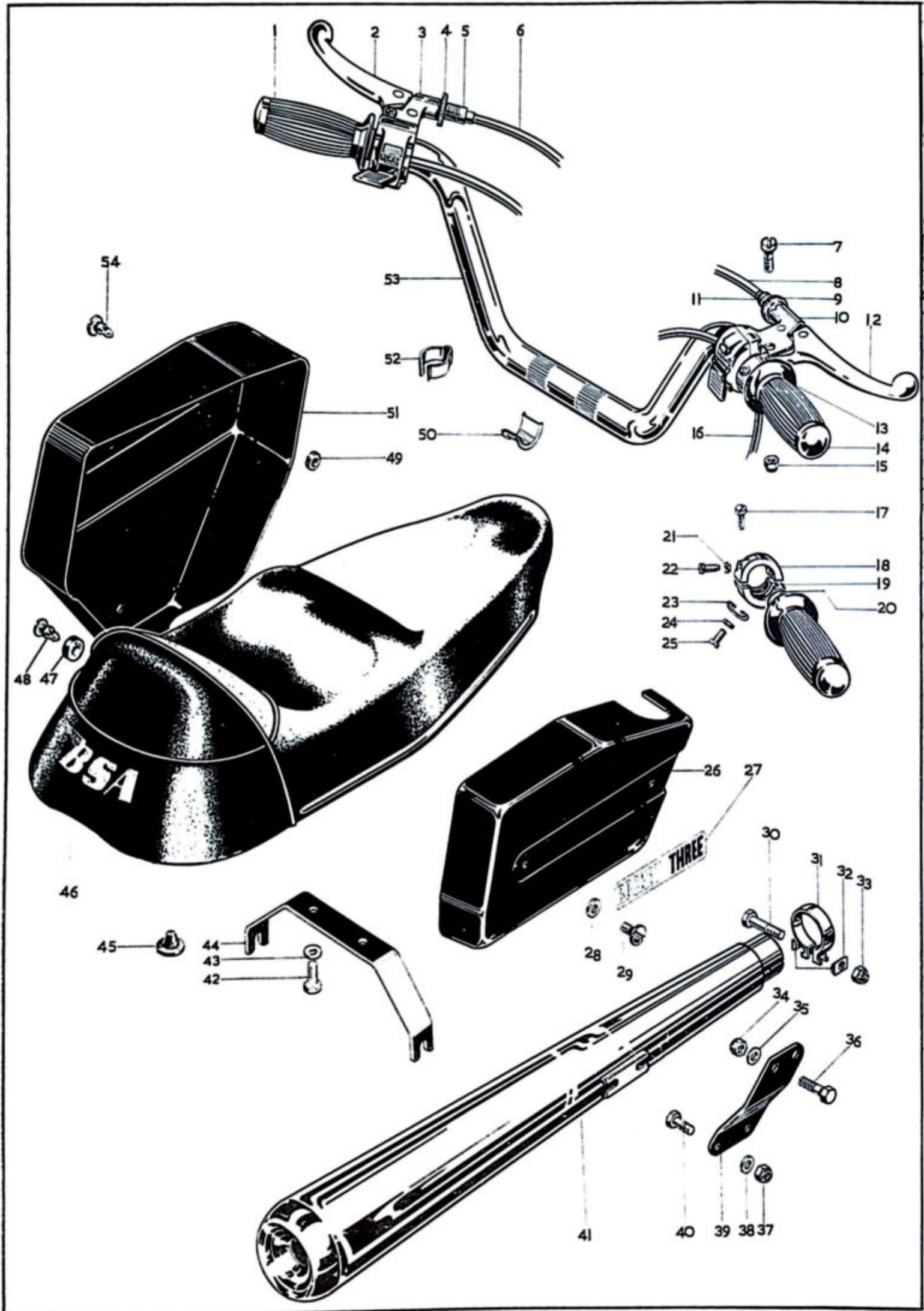


Plate 16—cont.

HANDLEBAR — DUAL SEAT — SIDE PANELS — SILENCERS

Key No.	Spares No.	Description	Per Set
34	14-1303	Nut — silencer bracket fixing UN.F.) .. .. .	2
35	02-1733	Washer — silencer bracket fixing (.380" × .812" × .064") .. .. .	2
36	14-0129	Bolt — silencer bracket fixing ( $\frac{3}{8}$ " UN.F. × 1 $\frac{1}{4}$ ") .. .. .	2
37	14-1201	Nut — silencer fixing ( $\frac{1}{4}$ " UN.F.) .. .. .	4
38	60-2338	Washer — silencer fixing (.270" × .625" × .056") .. .. .	4
39	83-3280	Silencer bracket — right .. .. .	1
39	83-3279	Silencer bracket — left .. .. .	1
40	14-0101	Bolt — silencer fixing ( $\frac{1}{4}$ " UN.F. × $\frac{1}{2}$ ") .. .. .	4
41	71-2382	Silencer .. .. .	2
42	14-0113	Bolt — bracket to dualseat ( $\frac{5}{16}$ " UN.F. × $\frac{5}{8}$ ") .. .. .	2
43	24-8784	Washer — spring, bracket to dualseat (.315" × .625" × .040") .. .. .	2
44	83-3442	Seat bracket .. .. .	1
45	40-8046	Rubber buffer .. .. .	4
45	82-7835*	Rubber buffer .. .. .	4
46	83-3853	Dualseat .. .. .	1
46	19-6050	Cover — dualseat .. .. .	1
46	83-3438*	Dualseat .. .. .	1
46	19-6048*	Cover — dualseat .. .. .	1
47	82-9964	Rubber washer — "oddie" stud, at ignition switch bracket .. .. .	1
48	60-3632	"Oddie" stud — at ignition switch bracket .. .. .	1
49	68-9226	Rubber washer .. .. .	3
50	75-4909	Sleeve — handlebar mounting .. .. .	4
51	83-4157	Sidcover — left .. .. .	1
52	97-4112	Cable clip — handlebar .. .. .	4
53	97-4252	Handlebar .. .. .	1
53	97-4251*	Handlebar .. .. .	1
54	83-1430	"Oddie" stud .. .. .	2

†For switch assembly details, see plate 20.

\*Home and General Export only.



**Plate 17**

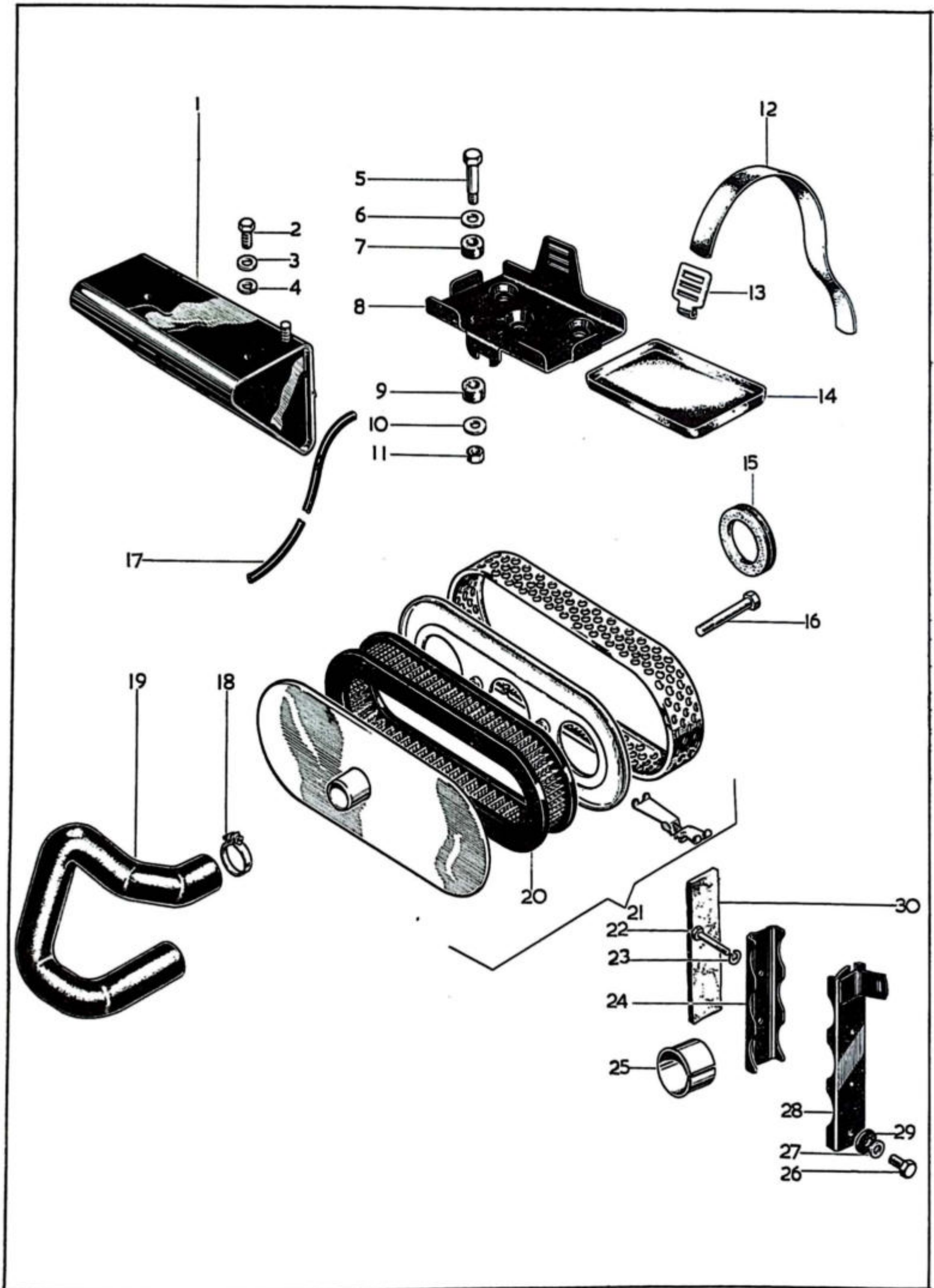


Plate 17

TOOLBOX — BATTERY CARRIER — AIR CLEANER

Key No.	Spares No.	Description	Per Set
1	82-8495	Toolbox .. .. .	1
2	14-0101	Bolt — toolbox to frame ( $\frac{1}{4}$ " UN.F. $\times$ $\frac{1}{2}$ " ) .. .. .	2
3	02-0525	Washer — toolbox to frame bolt ( $\cdot 255$ " $\times$ $\cdot 500$ " $\times$ $\cdot 048$ " ) .. .. .	2
4	82-9020	Spring washer — toolbox to frame bolt ( $\cdot 255$ " $\times$ $\cdot 594$ " $\times$ $\cdot 040$ " ) .. .. .	2
5	21-0768	Bolt — carrier to platform .. .. .	3
6	02-2138	Washer — carrier to platform, top ( $\cdot 380$ " $\times$ $\cdot 750$ " $\times$ $\cdot 064$ " ) .. .. .	3
7	40-4524	Mounting rubber — carrier to platform, top .. .. .	3
8	82-8463	Battery carrier .. .. .	1
9	40-4524	Mounting rubber — carrier to platform, bottom .. .. .	3
10	82-9008	Washer — carrier to platform, bottom ( $\cdot 317$ " $\times$ $\cdot 875$ " $\times$ $\cdot 064$ " ) .. .. .	3
11	14-1202	Nut — carrier to platform ( $\frac{5}{16}$ " UN.F.) .. .. .	3
12	68-4577	Strap — battery retaining .. .. .	1
13	82-9004	Hook — battery retaining strap .. .. .	1
14	68-4597	Rubber tray — battery carrier .. .. .	1
15	82-9562	Grommet — air cleaner .. .. .	3
16	14-0213	Bolt — air cleaner to manifold ( $\frac{1}{4}$ " UN.F. $\times$ $3\frac{1}{2}$ " ) .. .. .	2
17	82-7431	Vent pipe — battery .. .. .	1
18	60-0706	Clamp — breather hose .. .. .	2
19	82-8743	Connector hose — breather to air cleaner .. .. .	1
20	70-9138	Element — air cleaner .. .. .	1
21	60-3275	Air cleaner — complete assembly .. .. .	1
22	21-1981	Bolt — coil clamp (10 UN.F. $\times$ $1\frac{3}{4}$ " ) .. .. .	2
23	24-7068	Washer — spring, coil clamp bolt ( $\cdot 203$ " $\times$ $\cdot 328$ " $\times$ $\cdot 064$ " ) .. .. .	2
24	82-8549	Coil clamp .. .. .	3
25	82-9654	Sleeve — coil clamp .. .. .	3
26	14-0103	Bolt — coil support to frame ( $\frac{1}{4}$ " UN.F. $\times$ $\frac{3}{4}$ " ) .. .. .	1
27	27-8560	Washer — coil support to frame bolt ( $\cdot 266$ " $\times$ $\cdot 625$ " $\times$ $\cdot 048$ " ) .. .. .	2
28	83-1384	Coil support complete .. .. .	1
29	83-1984	Washer — rubber, coil support to frame bolt .. .. .	2
30	82-8256	Rubber pad — coil clamp .. .. .	1





Plate 18

OIL TANK — OIL COOLER — OIL PIPES

Key No.	Spares No.	Description	Per Set
1	82-8657	Rubber — oil cooler mounting .. .. .	4
2	76-0101	Washer — cooler strap mounting (.266" / .750" / .080") .. .. .	2
3	14-1301	Nut — cooler strap mounting (1/4" UN.F.) .. .. .	2
4	21-0752	Bolt — cooler strap mounting .. .. .	2
5	83-3858	Strap — oil cooler mounting .. .. .	2
5	83-4437*	Strap — oil cooler mounting .. .. .	2
6	82-9157	Grommet — oil cooler mounting, at bracket .. .. .	4
6	82-9157*	Grommet — oil cooler mounting, at bracket .. .. .	6
7	82-9573	Nut — reflector fixing (4 B.A.) .. .. .	4
8	82-9571	Mounting rubber — reflector fixing .. .. .	2
9	82-9906	Backing plate — reflector fixing .. .. .	2
10	19-1338	Reflector — front (amber) .. .. .	2
11	21-1940	Screw — oil cooler reflector fixing (4 B.A.) .. .. .	4
12	82-9315	Oil cooler .. .. .	1
13	71-2483	Flexible pipe — oil cooler to rocker box .. .. .	1
13	71-3228*	Flexible pipe — oil cooler to rocker box .. .. .	1
14	14-1301	Nut — oil tank top mounting (1/4" UN.F.) .. .. .	3
15	27-8560	Washer — oil tank top mounting (.266" x .625" x .048") .. .. .	4
16	40-8436	Rubber — oil tank top mounting .. .. .	2
17	21-0754	Bolt — oil tank top mounting .. .. .	1
18	82-9664	Breather pipe — oil tank .. .. .	1
19	83-1952	Distance piece — oil tank bottom mounting .. .. .	1
20	83-1585	Rubber — oil tank bottom mounting .. .. .	1
21	02-0923	Washer — oil tank bottom mounting (.317" x .625" x 1/16") .. .. .	1
22	14-0217	Bolt — oil tank bottom mounting (1/16" UN.F. x 1 1/4") .. .. .	1
23	83-3331	Oil tank filter plug complete .. .. .	1
24	68-0610	"O" ring — filter plug .. .. .	1
25	83-3199	Oil tank complete .. .. .	1
26	82-9530	Spring — oil feed pipe .. .. .	1
26	82-9531	Spring — oil return pipe .. .. .	1
27	70-6848	Clamp — flexible oil pipe fixing .. .. .	2
28	70-8904	Flexible pipe — oil tank to engine .. .. .	1
29	71-2484	Flexible pipe — oil cooler to tank .. .. .	1
29	71-3229*	Flexible pipe — oil cooler to tank .. .. .	1
30	82-6874	Spring — metering screw .. .. .	1
31	82-9435	Metering screw — chain oiler (1/4" UN.F. x 29/64") .. .. .	1
32	82-8627	Filler cap and dipstick .. .. .	1
33	83-1386	Stud — oil tank front mounting .. .. .	1
34	82-9918	Clip — oil pipes to frame .. .. .	4
35	82-8919	Rear chain oiler pipe — long .. .. .	1
36	82-9997	Rear chain oiler pipe — short .. .. .	1

\*Home and General Export only.



**Plate 19**

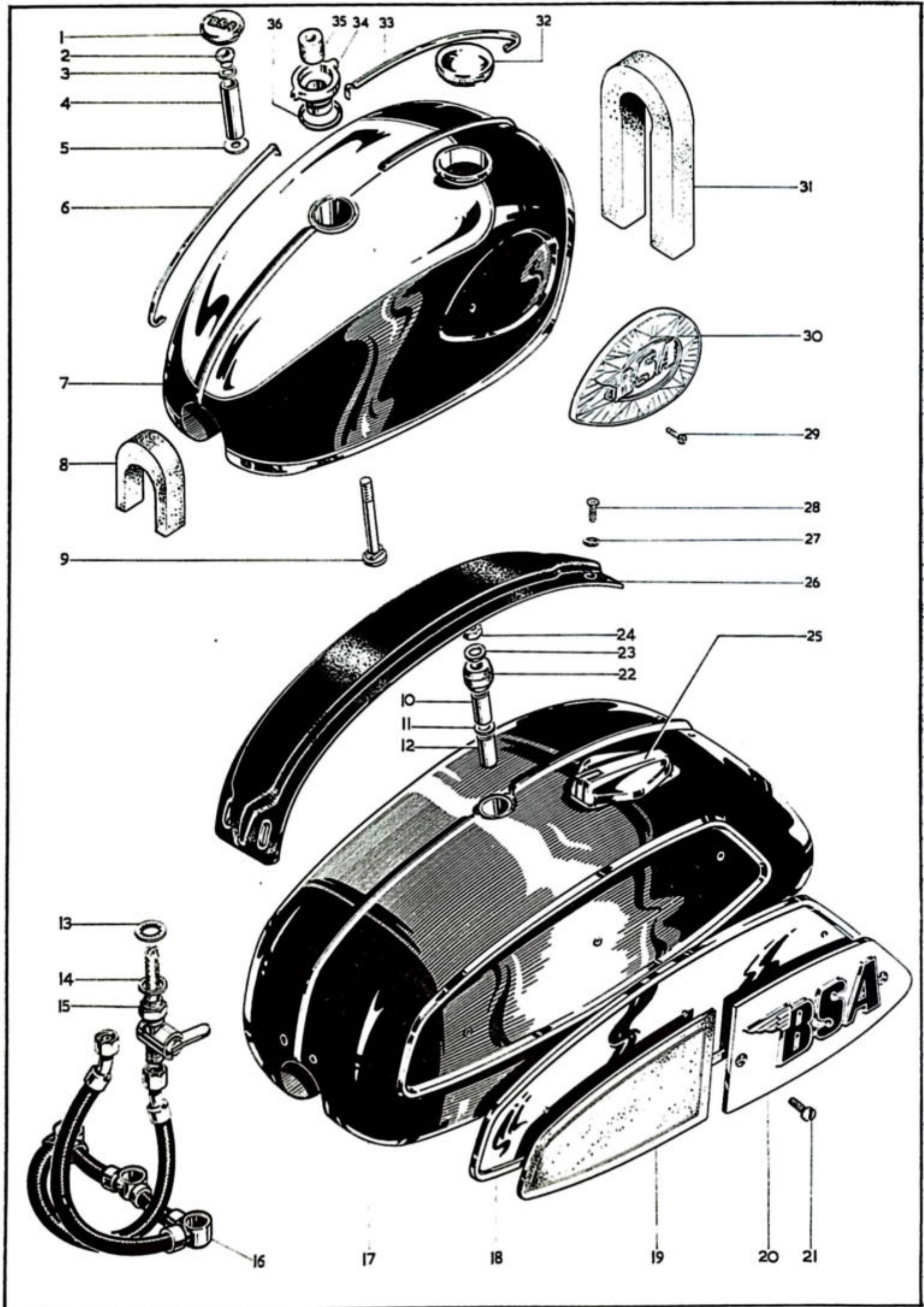


Plate 19

FUEL TANK

Key No.	Spares No.	Description	Per Set
1	42-8010	Grommet — fuel tank centre bolt .. .. .	1
2	21-1999	Nut — fuel tank fixing .. .. .	1
3	68-8016	Washer — fuel tank mounting, top (.453" × .906" × .094") .. .. .	1
4	82-9794	Distance tube — fuel tank mounting .. .. .	1
5	76-0012	Washer — fuel tank mounting, bottom (.328" × .563" × .093") .. .. .	1
6	83-3147	Styling strip — rear .. .. .	1
7	83-2747	Fuel tank complete .. .. .	1
8	82-9920	Rubber — fuel tank mounting, rear .. .. .	1
9	83-3830	Bolt — fuel tank fixing .. .. .	1
9	21-1993*	Bolt — fuel tank fixing .. .. .	1
10	76-4120	Distance tube — fuel tank mounting, top .. .. .	1
11	03-0101*	Washer — fuel tank mounting (.328" × 1.125" × .092") .. .. .	1
12	82-8327*	Distance tube — fuel tank mounting, bottom .. .. .	1
13	83-0002	Washer — fuel tap (.531" × .875" × .036") .. .. .	2
14	70-7351	Sealing washer — fuel tap .. .. .	2
15	83-2800	Fuel tap .. .. .	1
15	83-2801	Fuel tap — reserve .. .. .	1
16	83-3355	Fuel pipe assembly .. .. .	1
16	82-9436*	Fuel pipe assembly .. .. .	1
17	82-8391*	Fuel tank complete .. .. .	1
18	82-8588*	Panel — fuel tank, left .. .. .	1
18	82-8589*	Panel — fuel tank, right .. .. .	1
19	82-8590*	Knee pad — fuel tank, left .. .. .	1
19	82-8591*	Knee pad — fuel tank, right .. .. .	1
20	82-8611*	Badge — fuel tank, right .. .. .	1
20	82-8610*	Badge — fuel tank, left .. .. .	1
21	21-6206*	Screw — fuel tank badge and panel fixing .. .. .	6
22	40-8085*	Rubber — fuel tank mounting .. .. .	1
23	03-0101*	Washer — fuel tank mounting (.328" × 1.125" × .092") .. .. .	1
24	14-0302	Nut — fuel tank mounting ( $\frac{5}{16}$ " UN.F.) .. .. .	1
25	68-8190	Filler cap and rivet — fuel tank .. .. .	1
26	82-8609*	Styling strip — fuel tank .. .. .	1
27	82-8947*	Washer — styling strip to tank .. .. .	4
28	82-8946*	Screw — styling strip to tank (2 B.A. × $\frac{5}{8}$ " countersunk) .. .. .	4
29	82-8250	Screw — fuel tank badge fixing ( $\frac{1}{8}$ " WF. × $\frac{5}{8}$ ") .. .. .	4
30	83-3270	Badge — fuel tank, left .. .. .	1
30	83-3271	Badge — fuel tank, right .. .. .	1
31	82-9919	Rubber — fuel tank mounting, front .. .. .	1
32	83-3875	Filler cap — fuel tank .. .. .	1
33	83-3146	Styling strip — front .. .. .	1
34	82-9782	Styling strip holder .. .. .	1
35	42-8017	Rubber — fuel tank mounting .. .. .	1
36	68-8013	Rubber ring — fuel tank fixing .. .. .	1

\*Home and general export only.



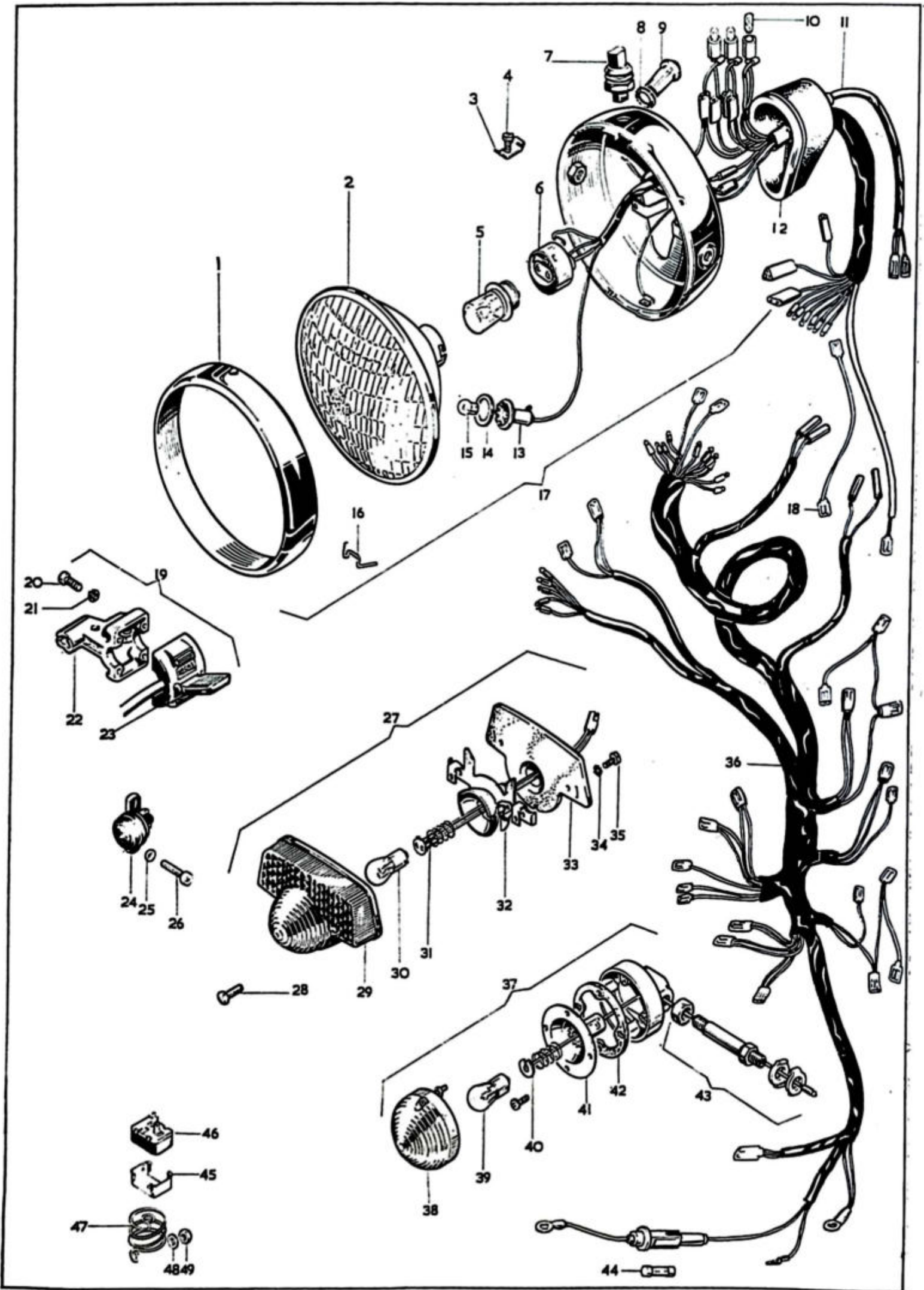
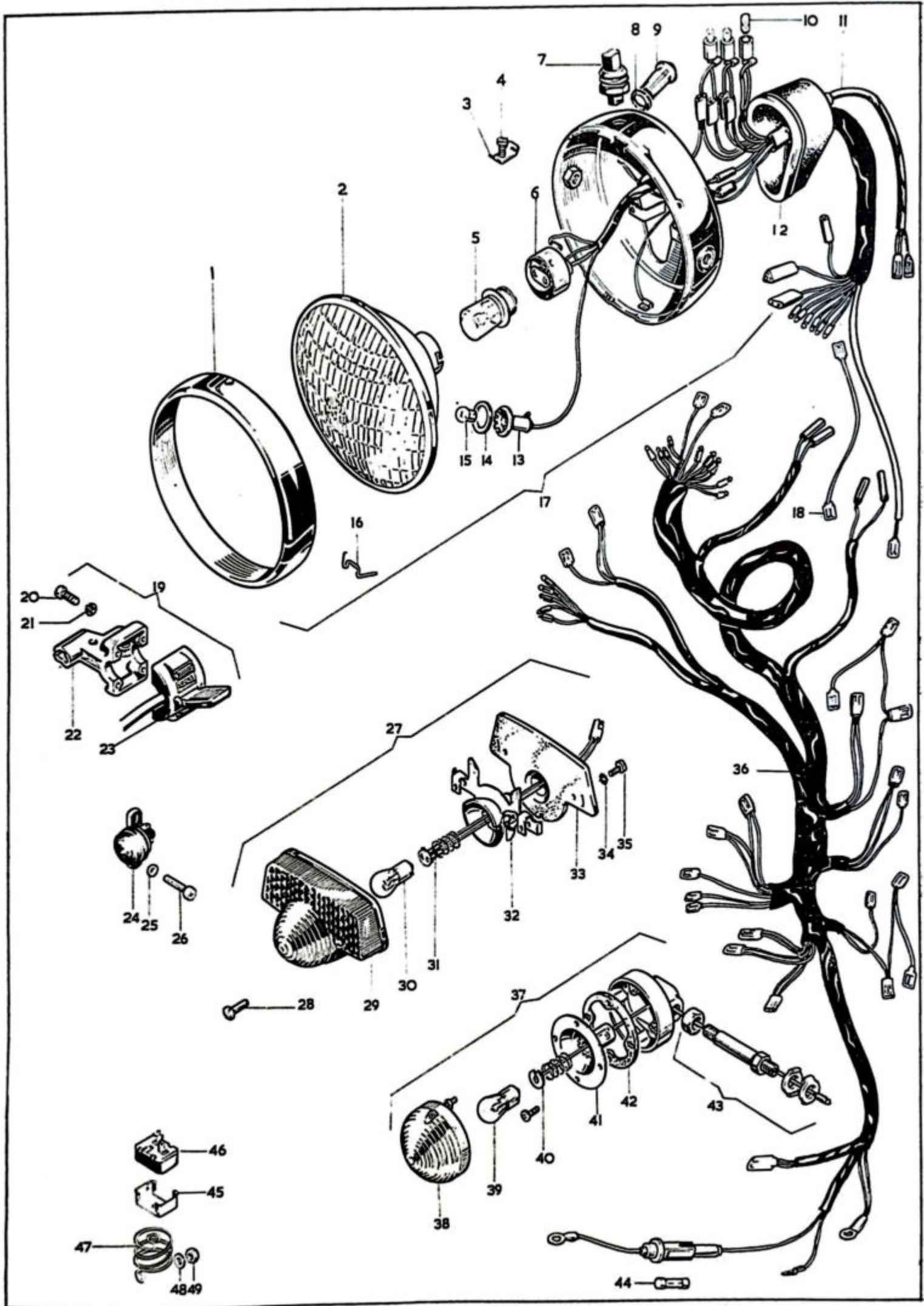


Plate 20

ELECTRICAL EQUIPMENT (PART 1)

Key No.	Spares Number		Description	Per Set
	B.S.A. No.	Makers No.		
1		553248	Headlamp rim .. .. .	1
2	19-0960	54525927	Light unit .. .. .	1
2		54522680	Light unit — France .. .. .	1
3		534296	Plate — rim fixing .. .. .	1
4		144921	Screw — rim fixing plate .. .. .	1
5			Bulb — main (370) .. .. .	1
5	19-1064		Bulb — main, for France (411) .. .. .	1
6		554602	Bulb holder — main .. .. .	1
7	19-1095	31356	Light switch .. .. .	1
8		54140331	Sealing washer — warning lights .. .. .	3
9		54363453	Direction indicator warning light body (amber) .. .. .	1
9		54363454	Oil pressure warning light body (red) .. .. .	1
9		54363455	Main beam warning light body (green) .. .. .	1
10			Bulb — warning lights (281) .. .. .	3
11		54960712	Headlamp harness .. .. .	1
12	19-1349	54524048	Rubber cover — headlamp harness .. .. .	1
13		54573590	Pilot bulb holder .. .. .	1
14		554354	Rubber ring — pilot bulb holder .. .. .	1
15			Bulb — pilot (989) .. .. .	1
16		504665	Wire clip — light unit fixing .. .. .	6
17	19-1352	60260	Headlamp .. .. .	1
17		60396	Headlamp — France .. .. .	1
18		54954267	Link lead — ignition coil .. .. .	1
19	19-1332	39596	Handlebar switch assembly — direction indicator .. .. .	1
19	19-1333	39595	Handlebar switch assembly — dip .. .. .	1
20		54115246	Screw — handlebar switch .. .. .	8
21		185022	Washer — handlebar switch screw .. .. .	8
22	19-1364	54340882	Lever half — dipswitch .. .. .	1
22	19-1363	54340883	Lever half — direction indicator switch .. .. .	1
23	19-1337	54033667	Switch half — direction indicator switch .. .. .	1





### ELECTRICAL EQUIPMENT (PART 1)

Key No.	Spares Number		Description	Per Set
	B.S.A. No.	Makers No.		
23	19-1334	54033666	Switch half — dip switch .. .. .	1
24	19-0916	34815	Stop switch — rear .. .. .	1
25	26-9461		Washer — rear stop switch fixing ( $\cdot 203'' \times \cdot 562'' \times \cdot 048''$ ) ..	4
26	42-4574		Screw — rear stop switch fixing ( $\frac{3}{16}''$ B.S.C. $\times \frac{1}{2}''$ ) .. .. .	2
27	19-1245	53973	Rear lamp — complete assembly .. .. .	1
28		144921	Screw — rear lamp lens fixing .. .. .	2
29		54577109	Lens — rear lamp .. .. .	1
30			Bulb — rear lamp (380) .. .. .	1
31		573828	Interior bulb holder — rear lamp .. .. .	1
32		54525286	Base plate — rear lamp .. .. .	1
33		54571677	Gasket — rear lamp mounting .. .. .	1
34		188330	Shakeproof washer — rear lamp fixing .. .. .	2
35		110714	Screw — rear lamp fixing .. .. .	2
36	19-1280	54960717	Main harness .. .. .	-
37	19-1067	56147	Flasher lamp — complete assembly .. .. .	4
38	19-1068	54581638	Lens assembly — flasher lamp .. .. .	4
39			Bulb — flasher lamp (382) .. .. .	4
40		573832	Interior assembly — flasher lamp .. .. .	4
41		554548	Bulb holder shell — flasher lamp .. .. .	4
42		54580300	Gasket — flasher lamp .. .. .	4
43	97-4248	54582415	Stem — flasher lamp (front) .. .. .	2
43	83-3525	54582414	Stem — flasher lamp (rear) .. .. .	2
44	19-1249	188218	Fuse — main harness (35 amp.) .. .. .	1
45	19-1098	54385091	Clip — flasher unit mounting .. .. .	1
46	19-1079	35048	Flasher unit .. .. .	1
47	19-1353	54386637	Spring — flasher unit .. .. .	1
48	76-0293		Washer — flasher unit spring ( $\cdot 234'' \times \cdot 562'' \times \cdot 022''$ ) ..	2
49	54-9017		Nut — flasher unit spring (2 B.A.) .. .. .	2

Note:—Where no B.S.A part number is quoted, that part is available only from the manufacturer.



Plate 21

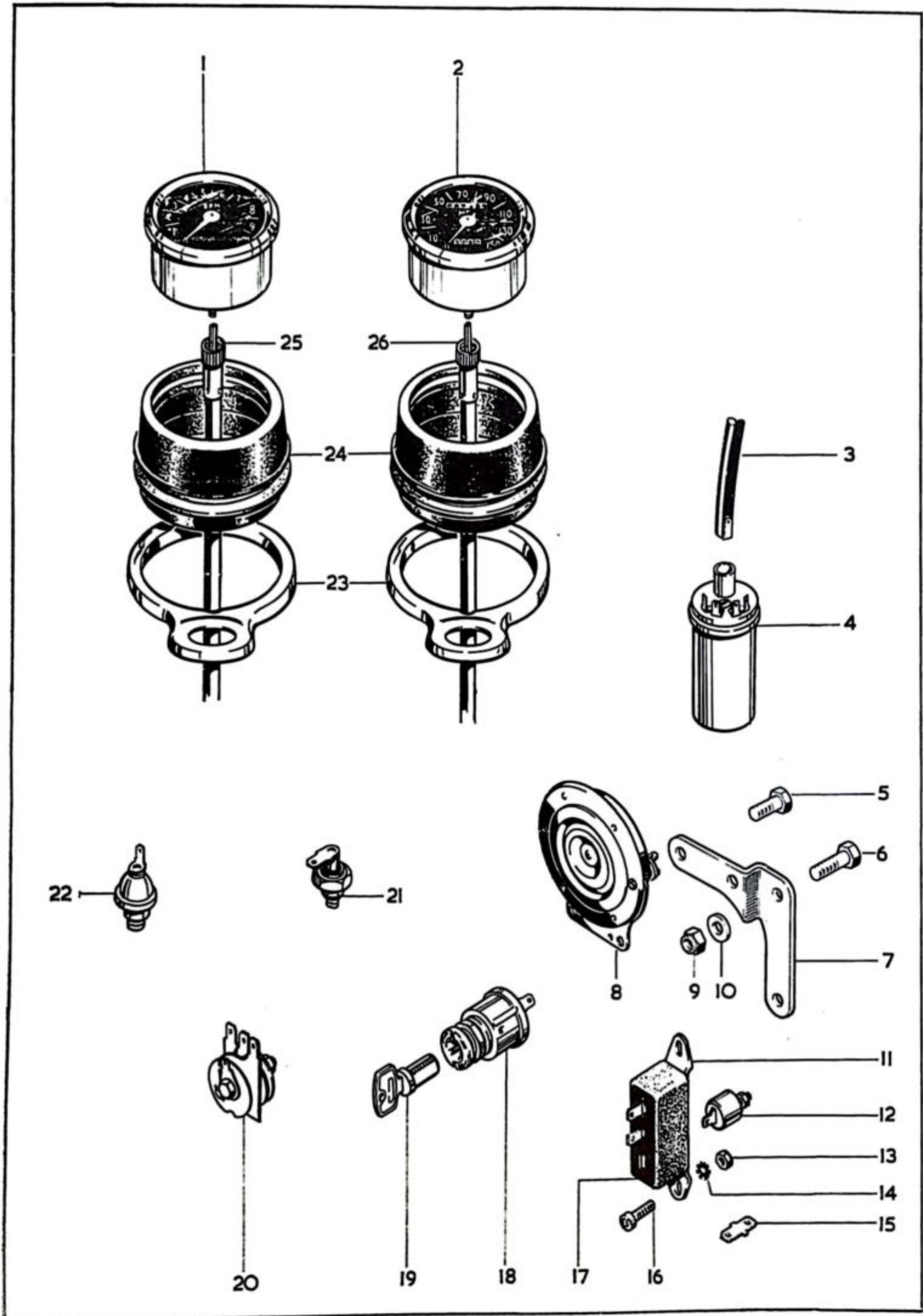


Plate 21

ELECTRICAL EQUIPMENT (PART 2)

Key No.	Spares Number		Description	Per Set
	B.S.A. No. Makers No.			
1	19-8953	RSM.3003/13	Tachometer .. .. .	1
2	19-8948	SSM.5007/00	Speedometer — m.p.h. .. .. .	1
2	19-8949	SSM.5007/01	Speedometer — k.p.h. (optional) .. .. .	1
2	19-9080†	41/148/203/10	Speedometer trip shaft .. .. .	1
3	19-1898	54956436	High-tension lead — non-resistive .. .. .	3
3	19-1899*	54956478	High-tension lead — resistive .. .. .	3
4	19-1881	45223	High-tension coil .. .. .	3
5	14-0103		Bolt — horn to bracket ( $\frac{1}{4}$ " UN.F. $\times$ $\frac{3}{4}$ ") .. .. .	2
6	14-0101		Bolt — horn bracket to frame ( $\frac{1}{4}$ " UN.F. $\times$ $\frac{1}{2}$ ") .. .. .	2
7	83-3269		Horn bracket .. .. .	1
8	19-2084	70216	Horn .. .. .	1
9	14-1202		Nut — horn and bracket fixing ( $\frac{1}{4}$ " UN.F.) .. .. .	4
10	60-2320		Washer — horn and horn bracket ( $\cdot 270$ " $\times$ $\cdot 562$ " $\times$ $\cdot 056$ ") .. .. .	4
11	19-1861	54418526	Base plate — condenser set .. .. .	1
12	19-1847	54420128	Condenser .. .. .	3
13	02-0047		Nut — condenser base plate fixing ( $\frac{3}{16}$ " B.S.C.) .. .. .	2
14	29-3319		Washer — condenser plate screw ( $\cdot 200$ " $\times$ $\cdot 400$ " $\times$ $\cdot 021$ ") .. .. .	2
15	19-1915	54190038	"Lucar" blade — condenser earth .. .. .	1
16	40-0236		Screw — condenser base plate fixing (2 B.A. $\times$ $\frac{5}{8}$ ") .. .. .	2
17	19-1848	54418528	Cover — condenser pack .. .. .	1
18	19-1265	39784	Master switch — ignition .. .. .	1
19	82-6981		Lock and keys — ignition switch .. .. .	1
20	19-1715	49072	Rectifier .. .. .	1
21	19-1735	54048288	Zener diode .. .. .	1
22	19-6508	PS.5300/1/07	Switch — oil pressure .. .. .	1
23	97-4026		Bracket — speedometer and tachometer mounting .. .. .	2
24	60-2600		Cup — speedometer and tachometer mounting .. .. .	2
25	19-9107		Cable — tachometer drive .. .. .	1
26	19-9108		Cable — speedometer drive .. .. .	1
	19-1776†	54027029	Battery — PUZ5A .. .. .	1

\*Home and General Export only.

†Not illustrated

Note:—Where a part number is not quoted, that part is available from manufacturers only.



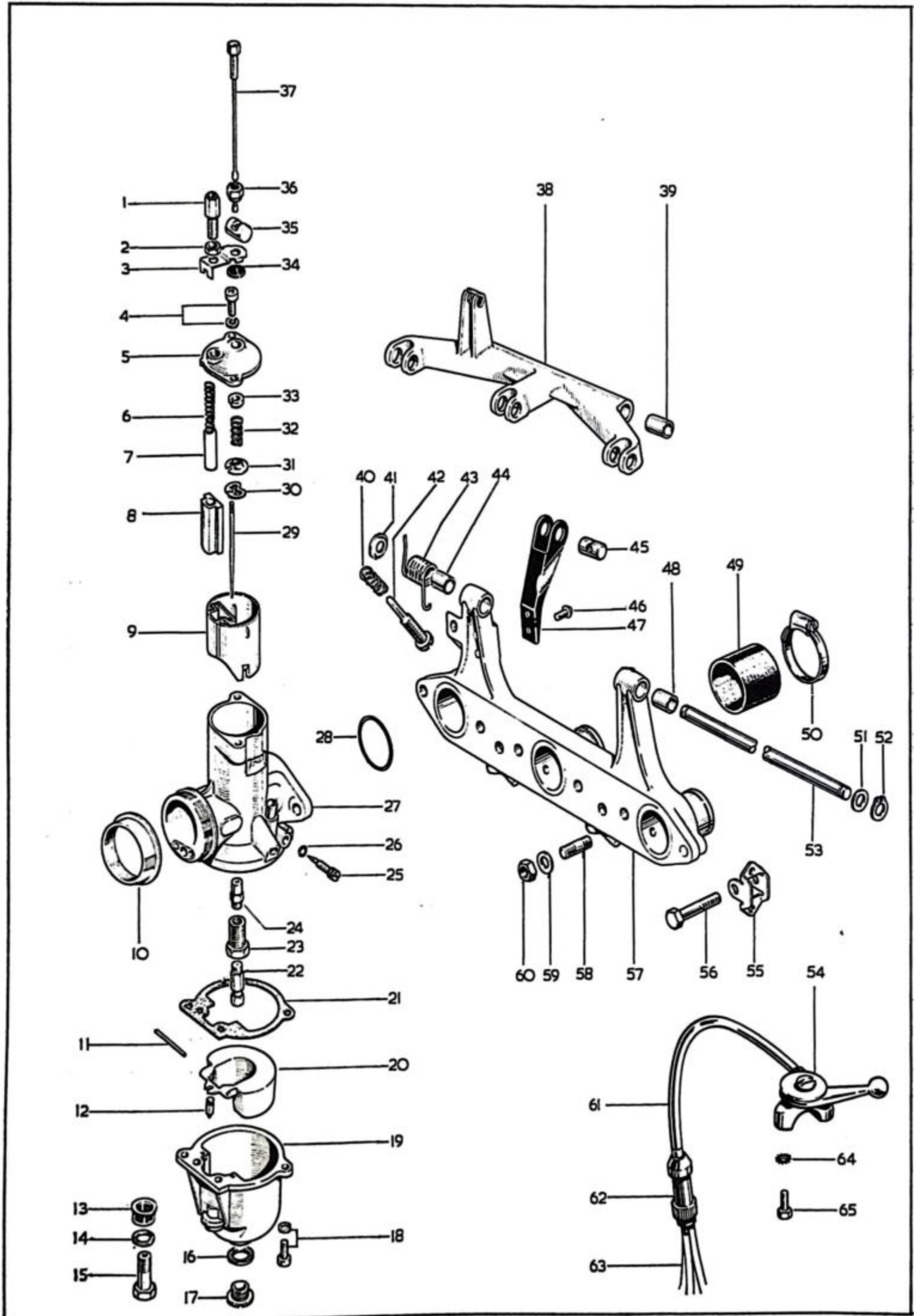


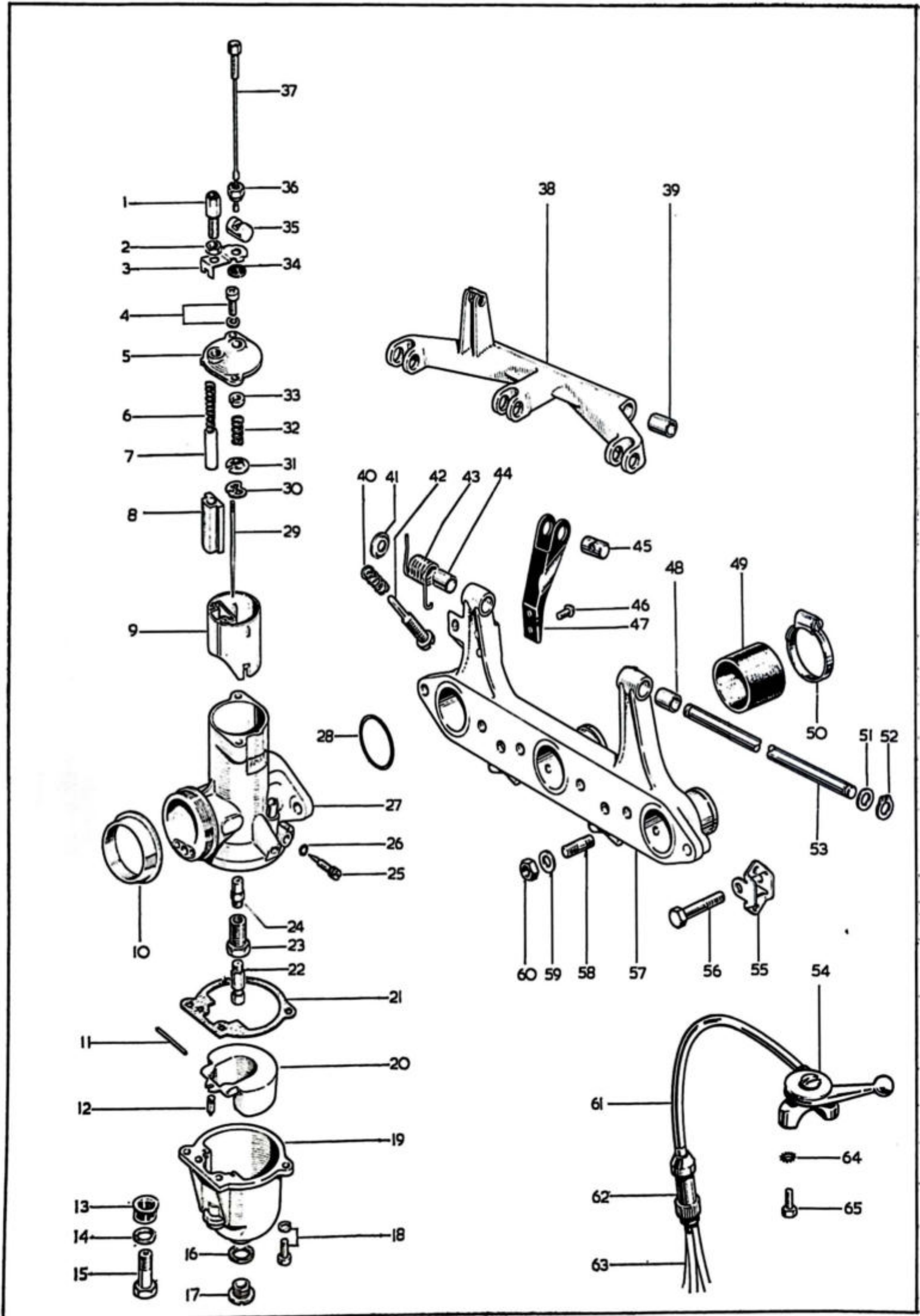
Plate 22

CARBURETTERS — THROTTLE LINKAGE

Key No.	Spares Number		Description	Per Set
	B.S.A. No.	Makers No.		
	19-2409	L.626/48	Carburetter complete (left) .. .. .	1
	19-2415	R.626/49	Carburetter complete (centre) .. .. .	1
	19-2408	R.626/47	Carburetter complete (right) .. .. .	1
1	19-2711	4/035	Adjuster — air cable .. .. .	3
2		5/077	Locknut — air cable adjuster .. .. .	3
3		622/125	Locating clip — top cap seal washer .. .. .	3
4	19-3093	622/086	Screw and washer — top cap fixing .. .. .	6
5		622/097	Top cap — carburetter body .. .. .	3
6		622/129	Spring — air valve .. .. .	3
7		622/134	Guide — air valve spring .. .. .	3
8	19-3091	622/062	Air valve .. .. .	3
9	19-3129	622/060	Throttle valve (3½) .. .. .	3
10	70-9586		Adaptor — carburetter intake .. .. .	3
11	19-3116	622/071	Float spindle .. .. .	3
12	19-3105	622/068	Needle for float .. .. .	3
13	19-3048	376/093	Fuel filter .. .. .	3
14	19-2834	13/163	Washer — fibre, banjo bolt .. .. .	3
15	19-3103	622/078	Banjo bolt — fuel pipe to float chamber .. .. .	3
16		622/151	Washer — float chamber drain plug .. .. .	3
17	19-3144	622/147	Drain plug — float chamber .. .. .	3
18	19-3093	622/086	Screw and washer — float chamber fixing .. .. .	6
19	19-3143	622/050	Float chamber .. .. .	3
20	19-3102	622/069	Float .. .. .	3
21	19-3106	622/073	Gasket — float chamber .. .. .	3
22	19-3099	376/100	Main jet (150) .. .. .	3
23		622/128	Main jet holder .. .. .	3
24	19-3136	622/122	Needle jet (.106") .. .. .	3
25	19-3113	622/076	Screw — pilot air adjusting .. .. .	3
26	19-3098	622/082	“O” ring — pilot air adjusting screw .. .. .	3
27	19-2409	L.626/48	Carburetter body (left) .. .. .	1
27	19-2415	R.626/49	Carburetter body (right and centre) .. .. .	2
28	19-3090	622/101	“O” ring — carburetter flange .. .. .	3
29	19-3137	622/124	Throttle needle .. .. .	3
30	19-3095	622/067	Clip — throttle needle .. .. .	1
31	60-1987	622/116	Retaining plate — throttle rod spring .. .. .	3
32	60-1960	622/113	Spring — throttle rod retaining .. .. .	3
33	60-1959	622/115	Cap — throttle rod retaining .. .. .	3



Plate 22—Cont.



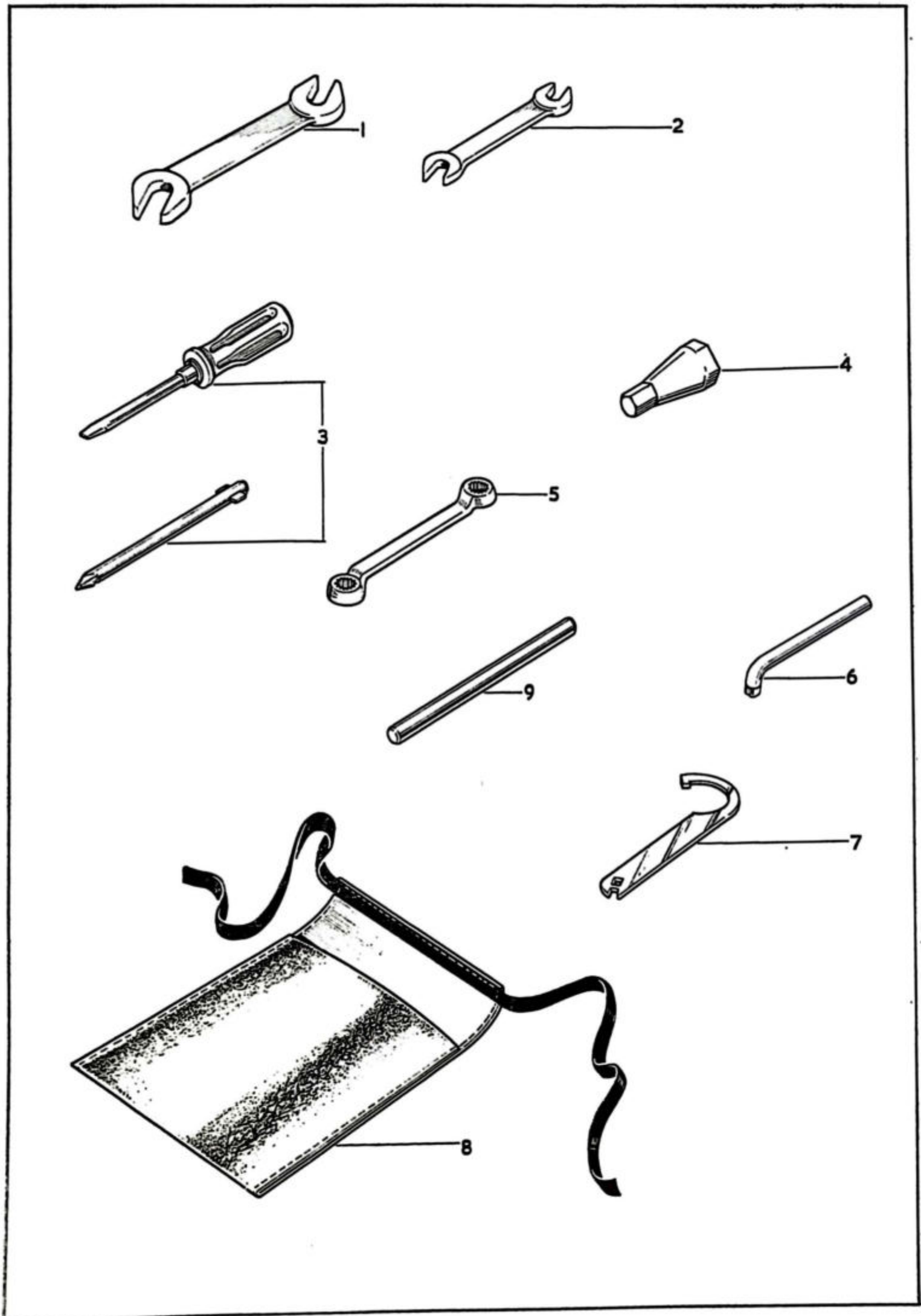
### CARBURETTERS — THROTTLE LINKAGE

Key No.	Spares Number		Description	Per Set
	B.S.A. No.	Makers No.		
34		622/126	Seal washer — carburetter top cap .. .. .	3
35	70-9243		Trunnion — throttle linkage .. .. .	3
36	70-9253		Locknut — throttle rod .. .. .	3
37	60-1984	622/119	Throttle assembly .. .. .	3
38	70-9278		Arm assembly — throttle linkage .. .. .	1
39	70-9073		Bush — throttle arm .. .. .	2
40	70-9254		Spring — adjuster screw, throttle arm .. .. .	1
41	70-9821		Retainer — throttle return spring .. .. .	1
42	70-9252		Adjuster screw — throttle arm .. .. .	1
43	70-9880		Spring — throttle arm return .. .. .	1
44	70-9820		Distance piece — throttle return spring .. .. .	1
45	70-9243		Trunnion — throttle linkage .. .. .	1
46	21-0774		Screw — support arm to adaptor .. .. .	2
47	70-9242		Support arm — throttle linkage .. .. .	1
48	70-9073		Bush — adaptor spindle .. .. .	2
49	70-9060		Connection tube .. .. .	3
50	60-0707		“Jubilee” clip — connection tube .. .. .	6
51	71-0245		Washer — throttle arm spindle backing .. .. .	1
52	70-9255		Circlip — throttle arm spindle .. .. .	1
53	70-9251		Spindle — throttle arm .. .. .	1
54	60-3567		Lever — air control .. .. .	1
55	83-3665		Bracket — air control lever .. .. .	1
56	14-0218		Bolt — air control lever bracket fixing ( $\frac{5}{16}$ " UN.F. $\times$ $1\frac{1}{2}$ ") .. .. .	1
57	71-1303		Carburetter adaptor .. .. .	1
58	14-1619		Stud — carburetter mounting ( $\frac{5}{16}$ " UN.C./UN.F. $\times$ $1\frac{1}{4}$ ") .. .. .	6
59	54-0055		Washer — carburetter mounting ( $\cdot 344$ " $\times$ $\cdot 625$ " $\times$ $\cdot 063$ ") .. .. .	6
60	14-1302		Nut — carburetter mounting ( $\frac{5}{16}$ " UN.F.) .. .. .	6
61	60-3566		Cable — air control, lever to junction box .. .. .	1
62	19-3140	244/2080	Junction box — air control cable .. .. .	1
63	60-2061		Cable — air control, junction box to carburetters .. .. .	3
64	54-0170		Washer — shakeproof, air control lever fixing bolt .. .. .	2
65	60-3896		Bolt — air control lever to bracket (2 B.A. $\times$ $\frac{3}{4}$ ") .. .. .	2

Note:—Where no B.S.A. part number is quoted, that part is available only from the manufacturer.



**Plate 23**



**Plate 23**

**TOOLS**

Key No.	Spares No.	Description	Per Set
	60-3351	Toolkit complete .. .. .	1
1	60-2647	Double open-ended spanner ( $\frac{3}{4}$ " $\times$ $\frac{15}{16}$ " A.F.) .. .. .	1
2	60-3350	Double open-ended spanner ( $\frac{11}{32}$ " $\times$ $\frac{9}{16}$ " A.F.) .. .. .	1
3	60-0767	Screwdriver complete .. .. .	1
4	60-1910	Spark plug spanner .. .. .	1
5	60-1907	Double-ended ring spanner ( $\frac{7}{16}$ " $\times$ $\frac{1}{2}$ " A.F.) .. .. .	1
6	60-2020	Tappet spanner .. .. .	1
7	75-9076	"C" spanner with square socket .. .. .	1
8	75-9089	Tool roll .. .. .	1
9	60-1911	Tommy bar .. .. .	1
	60-2599*	Licence holder .. .. .	1

\*Home and General Export only.



## NUMERICAL INDEX

Spares number	Page number	Key number	Per set
00-3466	6	—	—
00-3466	5	—	—
00-3468	6	—	—
00-3468	5	—	—
00-3469	6	—	—
00-3469	5	—	—
00-3470	6	—	—
00-3470	5	—	—
00-5242	33	28	1
00-7007	5	—	—
00-7009	5	—	—
02-0047	67	13	2
02-0370	19	66	6
02-0525	57	3	2
02-0861	13	42	4
02-0923	39	46	5
02-0923	39	48	5
02-0923	39	51	10
02-0923	59	21	1
02-1733	55	35	2
02-1967	37	10	2
02-1967	39	32	2
02-2138	37	2	1
02-2138	41	23	2
02-2138	41	24	4
02-2138	57	6	3
03-0101	61	11	1
03-0101	61	23	1
03-0107	37	22	2
03-1346	41	35	2
14-0101	51	14	4
14-0101	51	27	4
14-0101	55	40	4
14-0101	57	2	2
14-0101	67	6	2
14-0102	51	19	2
14-0102	51	33	2
14-0103	51	9	4
14-0103	57	26	1
14-0103	67	5	2
14-0106	41	8	1
14-0113	41	21	1
14-0113	55	42	2
14-0115	39	49	3
14-0116	41	42	1
14-0129	55	36	2
14-0133	49	35	1
14-0145	37	16	1
14-0201	35	18	1
14-0202	11	17	4
14-0205	11	29	2
14-0206	51	29	1
14-0207	49	4	5
14-0208	17	35	1
14-0213	57	16	2
14-0217	39	43	2
14-0217	41	18	1
14-0217	59	22	1
14-0218	39	54	3
14-0218	71	56	1
14-0219	53	30	2
14-0220	39	50	2
14-0221	39	47	2
14-0234	43	6	1
14-0235	41	2	3
14-0237	37	1	1
14-0238	43	12	2
14-0301	35	5	4
14-0301	51	23	4
14-0301	51	25	4
14-0302	21	90	2
14-0302	41	43	1
14-0302	45	61	8
14-0302	61	24	1

Spares number	Page number	Key number	Per set
14-0303	13	43	4
14-0303	15	15	4
14-0304	37	9	2
14-0304	39	33	2
14-0305	49	49	1
14-0401	19	63	3
14-0401	41	7	2
14-0402	13	58	6
14-0402	23	42	1
14-0402	27	49	1
14-0404	41	41	1
14-0405	41	49	2
14-0604	51	28	4
14-1019	45	58	2
14-1201	11	34	2
14-1201	51	35	2
14-1201	55	37	4
14-1202	57	11	3
14-1202	67	9	4
14-1301	13	68	6
14-1301	21	82	1
14-1301	35	30	1
14-1301	49	9	5
14-1301	51	10	4
14-1301	53	15	2
14-1301	59	3	2
14-1301	59	14	3
14-1302	35	22	1
14-1302	37	6	2
14-1302	39	31	1
14-1302	39	40	2
14-1302	39	45	5
14-1302	39	53	5
14-1302	53	33	2
14-1302	71	60	6
14-1303	37	25	2
14-1303	41	6	2
14-1303	41	25	2
14-1303	43	17	2
14-1303	43	25	1
14-1303	43	26	2
14-1303	47	29	1
14-1303	49	25	1
14-1303	55	34	2
14-1304	49	37	1
14-1307	49	17	1
14-1401	11	14	4
14-1427	17	24	2
14-1619	71	58	6
14-1635	47	34	1
14-1901	27	36	1
14-1902	49	28	2
14-1903	37	11	1
14-6101	23	5	1
14-6101	51	16	1
14-6102	27	5	2
14-6102	45	45	1
14-6113	17	25	2
14-6121	29	21	1
14-6211	11	5	4
14-6218	19	60	1
14-6218	21	105	1
14-6220	17	1	2
14-6223	21	99	1
14-6226	19	59	4
14-6226	21	104	5
14-6504	27	23	2
14-6504	29	1	3
14-6509	27	31	1
14-6515	25	23	1
14-6605	27	1	4
14-6606	17	14	3
14-6606	23	9	2
14-6608	19	73	5
14-6608	35	24	1
14-6610	25	28	3

Spares number	Page number	Key number	Per set
14-6610	27	41	1
14-6611	19	46	1
14-6611	27	19	6
14-6612	19	47	4
14-6612	27	25	1
14-6613	27	10	2
14-6613	35	13	1
14-6614	29	23	2
14-6615	27	20	1
14-6615	35	15	2
14-7004	13	50	6
14-7006	23	8	7
14-7101	29	19	1
15-0039	41	34	2
15-0431	37	15	2
15-0431	49	36	1
15-5155	41	17	1
19-0916	65	24	1
19-0960	63	2	1
19-1064	63	5	1
19-1067	65	37	4
19-1068	65	38	4
19-1079	65	46	1
19-1095	63	7	1
19-1098	65	45	1
19-1245	65	27	1
19-1249	65	44	1
19-1258	19	—	1
19-1259	19	53	1
19-1260	19	52	1
19-1265	67	18	1
19-1280	65	36	1
19-1332	53	10	1
19-1332	63	19	1
19-1333	53	3	1
19-1333	63	19	1
19-1334	65	23	1
19-1337	63	23	1
19-1338	59	10	2
19-1339	51	38	1
19-1349	63	12	1
19-1352	63	17	1
19-1353	65	47	1
19-1363	63	22	1
19-1364	63	22	1
19-1715	67	20	1
19-1735	67	21	1
19-1776	67	—	1
19-1847	67	12	3
19-1848	67	17	1
19-1861	67	11	1
19-1863	19	70	1
19-1864	17	31	1
19-1865	17	28	1
19-1881	67	4	3
19-1888	17	30	2
19-1898	67	3	3
19-1899	67	3	3
19-1915	67	15	1
19-2084	67	8	1
19-2408	69	—	1
19-2409	69	—	1
19-2409	69	27	1
19-2415	69	—	1
19-2415	69	27	2
19-2433	6	—	—
19-2434	6	—	—
19-2435	6	—	—
19-2711	69	1	3
19-2834	69	14	3
19-3048	69	13	3
19-3090	69	28	3
19-3091	69	8	3
19-3093	69	4	6



NUMERICAL INDEX—cont.

Spares number	Page number	Key number	Per set	Spares number	Page number	Key number	Per set	Spares number	Page number	Key number	Per set
19-3093	69	18	6	21-0755	41	32	1	37-3797	47	8	1
19-3095	69	30	3	21-0767	53	29	2	37-3818	47	17	1
19-3098	69	26	3	21-0768	57	5	3	37-3819	47	12	10
19-3099	69	22	3	21-0769	41	40	1	37-3820	47	14	10
19-3102	69	20	3	21-0774	71	46	2	37-3821	47	15	20
19-3103	69	15	3	21-0779	37	14	1	37-3846	5	—	—
19-3105	69	12	3	21-0780	37	19	1	37-3846	47	—	1
19-3106	69	21	3	21-1809	43	32	2	37-3848	5	—	—
19-3113	69	25	3	21-1813	21	88	2	37-3848	47	5	1
19-3116	69	11	3	21-1819	23	39	1	37-3856	49	38	1
19-3129	69	9	3	21-1820	23	4	1	37-3870	49	40	1
19-3136	69	24	3	21-1852	19	50	3	37-3872	49	39	1
19-3137	69	29	3	21-1862	31	59	2	37-3876	49	45	2
19-3140	71	62	1	21-1872	31	55	1	37-3899	5	—	—
19-3143	69	19	3	21-1912	17	6	4	37-3899	49	—	1
19-3144	69	17	3	21-1931	17	3	4	37-3900	5	—	—
19-5305	41	4	2	21-1940	59	11	4	37-3900	49	7	1
19-6048	55	46	1	21-1981	57	22	2	37-3901	49	50	1
19-6050	55	46	1	21-1993	61	9	1	37-3903	49	5	1
19-6508	67	22	1	21-1999	61	2	1	37-3919	49	24	2
19-7221	53	1	1	21-2018	37	23	1	37-3920	49	19	1
19-7222	53	14	1	21-2048	53	7	2	37-3921	49	22	10
19-7237	53	13	1	21-2062	43	20	2	37-3922	49	21	10
19-7447	41	1	2	21-2099	41	22	1	37-3923	49	20	20
19-7466	47	36	2	21-2102	45	57	2	37-3925	49	41	1
19-7467	47	37	20	21-2106	33	3	3	37-3926	49	42	1
19-7477	41	3	2	21-2139	35	21	1	37-3932	47	9	1
19-7606	11	38	3	21-6206	61	21	6	37-3935	5	—	—
19-7641	11	37	3	24-1088	38	28	1	37-3935	47	35	1
19-7741	47	21	2	24-1088	41	26	1	37-3955	5	—	—
19-7742	47	20	2	24-1088	49	33	1	37-3955	49	38	1
19-7743	47	18	1	24-1088	57	23	2	37-3961	49	29	1
19-7744	47	19	2	24-7068	57	23	2	37-3969	47	39	1
19-7745	47	38	2	24-8784	55	43	2	37-3970	47	39	1
19-7800	5	—	—	26-9461	65	25	4	37-3976	49	16	1
19-7800	25	—	1	27-8560	51	11	4	37-3980	49	23	1
19-7801	25	15	1	27-8560	51	13	4	37-3986	47	33	1
19-7802	25	31	1	27-8560	57	27	2	37-3987	47	26	2
19-7803	25	18	1	27-8560	57	27	2	37-3996	47	32	1
19-7804	25	17	1	27-8560	59	15	4	37-3997	47	27	1
19-7805	25	16	1	29-0541	35	4	4	37-4014	47	31	1
19-7806	25	35	12	29-0541	45	44	1	37-4034	49	27	1
19-7807	25	34	6	29-0541	51	30	1	37-4049	49	32	1
19-7808	25	33	1	29-3319	67	14	2	37-4071	49	44	2
19-7809	25	—	1	29-7583	39	44	2	40-0066	23	2	1
19-8692	25	6	1	30-0733	41	5	2	40-0156	13	51	6
19-8693	49	6	1	36-0382	41	20	1	40-0158	13	52	12
19-8948	67	2	1	37-0653	47	3	1	40-0159	11	26	4
19-8949	67	2	1	37-0653	47	10	1	40-0167	13	57	12
19-8953	67	1	1	37-0653	49	2	1	40-0236	67	16	2
19-9080	67	2	1	37-0653	49	11	1	40-0242	15	13	2
19-9107	67	25	1	37-1237	47	2	1	40-0323	17	17	1
19-9108	67	26	1	37-1467	41	14	1	40-2705	13	69	6
19-9225	49	15	1	37-1467	49	31	1	40-3044	51	4	2
21-0536	23	35	1	37-1481	47	4	1	40-3085	35	27	1
21-0541	35	25	1	37-1654	49	12	1	40-4524	57	7	3
21-0544	35	19	1	37-2058	47	24	1	40-4524	57	9	3
21-0547	21	98	3	37-2294	47	16	40	40-4850	37	20	1
21-0547	35	6	4	37-2294	49	18	40	40-6040	49	29	1
21-0548	19	67	1	37-2328	49	43	2	40-8046	55	45	4
21-0550	11	27	2	37-3468	49	30	2	40-8085	61	12	1
21-0557	13	70	6	37-3655	47	35	1	40-8436	59	16	2
21-0559	23	26	2	37-3749	49	3	1	40-9190	29	15	1
21-0567	27	15	1	37-3750	49	14	1	42-4364	41	31	1
21-0578	43	33	1	37-3751	49	13	1	42-4574	65	26	2
21-0585	23	1	1	37-3752	49	1	1	42-5840	49	46	16
21-0589	45	40	2	37-3753	49	10	1	42-8010	61	1	1
21-0594	29	25	1	37-3753	49	10	1	42-8017	61	35	1
21-0678	21	95	1	37-3759	47	11	1	47-9012	39	29	1
21-0680	25	24	3	37-3761	47	23	2	47-9012	41	27	1
21-0681	25	30	1	37-3762	47	22	2	47-9012	41	46	2
21-0681	25	30	1	37-3796	47	6	1	54-0022	19	62	3
21-0686	13	40	4								
21-0692	17	7	10								
21-0752	59	4	2								
21-0754	59	17	1								



## NUMERICAL INDEX—cont.

Spares number	Page number	Key number	Per set	Spares number	Page number	Key number	Per set	Spares number	Page number	Key number	Per set
54-0022	45	43	1	57-2553	27	4	1	57-4380	33	24	1
54-0042	17	39	3	57-2554	25	27	1	57-4381	33	21	1
54-0043	29	9	2	57-2555	25	22	1	57-4382	33	7	1
54-0055	17	2	8	57-2557	25	29	1	57-4383	33	11	1
54-0055	19	51	3	57-2580	25	20	1	57-4384	33	14	1
54-0055	21	89	2	57-2656	29	8	1	57-4386	33	13	1
54-0055	21	94	7	57-2737	35	14	1	57-4387	33	15	1
54-0055	23	38	2	57-3610	27	30	1	57-4388	33	17	1
54-0055	35	20	1	57-3614	27	27	1	57-4390	33	16	1
54-0055	35	23	1	57-3617	27	28	1	57-4391	33	18	1
54-0055	71	59	6	57-3632	35	32	1	57-4393	33	19	1
54-0170	71	64	2	57-3634	31	54	1	57-4394	33	1	1
54-4302	41	45	2	57-3638	27	8	2	57-4395	33	5	1
54-4307	43	16	2	57-3642	23	37	1	57-4396	33	4	1
54-4307	43	23	1	57-3642	25	26	1	57-4397	33	6	1
54-9012	17	40	3	57-3643	25	7	1	57-4402	33	34	1
54-9017	51	36	2	57-3643	27	32	1	57-4403	33	36	1
54-9017	65	49	2	57-3644	25	2	1	57-4445	35	10	1
54-9081	11	2	4	57-3646	25	12	1				
54-9081	11	18	4	57-3647	27	48	1				
54-9081	11	30	4	57-3733	27	12	1	60-0702	13	46	6
54-9081	51	34	2	57-3733	27	22	1	60-0706	57	18	2
				57-3576	25	25	1	60-0707	71	50	6
57-0023	35	36	1	57-3757	35	16	1	60-0767	73	3	1
57-0024	35	39	1	57-3759	35	12	1	60-1841	49	34	1
57-0031	35	38	1	57-3861	31	47	1	60-1907	73	5	1
57-0045	35	41	1	57-3862	31	37	1	60-1910	73	4	1
57-C047	35	37	1	57-3871	5	—	—	60-1911	73	9	1
57-0280	47	1	1	57-3871	25	—	1	60-1928	29	17	2
57-0397	29	14	1	57-3889	31	48	1	60-1959	69	33	3
57-0404	35	2	2	57-3890	31	38	1	60-1960	69	32	3
57-0405	35	8	2	57-3940	25	14	6	60-1984	71	37	3
57-0406	35	7	2	57-3941	25	13	3	60-1987	69	31	3
57-0407	35	3	1	57-3954	27	2	1	60-2020	73	6	1
57-0409	35	9	1	57-3958	27	42	1	60-2061	71	63	3
57-0412	29	20	1	57-3983	27	39	1	60-2202	53	16	1
57-0730	29	28	1	57-3986	27	38	1	60-2320	21	84	6
57-0731	29	27	1	57-3987	27	37	1	60-2320	35	31	1
57-0732	29	26	1	57-3989	29	6	1	60-2320	49	8	5
57-0912	27	44	1	57-3989	33	22	1	60-2320	51	15	1
57-0912	29	34	1	57-3990	27	16	1	60-2320	51	17	3
57-0912	31	42	1	57-4004	25	1	1	60-2320	51	24	4
57-0928	31	36	1	57-4018	23	10	1	60-2320	67	10	4
57-1250	29	30	1	57-4051	31	44	1	60-2321	37	7	2
57-1272	35	28	1	57-4054	31	53	1	60-2322	37	26	2
57-1606	31	43	1	57-4055	29	7	2	60-2329	45	66	1
57-1607	29	35	1	57-4113	29	32	1	60-2330	39	30	1
57-1607	31	41	1	57-4117	35	40	1	60-2330	39	41	2
57-1614	31	39	1	57-4175	31	52	1	60-2331	49	26	1
57-1645	27	13	1	57-4194	27	47	1	60-2333	43	19	2
57-1896	29	18	1	57-4225	25	9	1	60-2338	43	31	2
57-1917	31	46	1	57-4288	29	12	1	60-2338	51	26	4
57-1955	35	34	1	57-4289	29	13	1	60-2338	55	38	4
57-1956	35	35	1	57-4289	33	33	1	60-2340	47	30	1
57-1962	29	31	1	57-4290	29	11	1	60-2364	27	46	3
57-1963	29	29	1	57-4291	29	10	1	60-2364	35	26	1
57-2116	31	45	1	57-4307	31	58	1	60-2370	23	12	1
57-2153	29	2	1	57-4308	31	57	1	60-2391	51	37	1
57-2166	11	23	4	57-4314	31	51	1	60-2417	51	18	2
57-2166	27	17	1	57-4323	25	11	1	60-2427	51	8	4
57-2173	35	32	1	57-4324	25	5	12	60-2428	45	60	8
57-2214	25	10	1	57-4329	29	16	1	60-2431	49	48	1
57-2215	27	26	1	57-4335	31	49	1	60-2438	45	71	1
57-2220	27	14	1	57-4345	31	40	1	60-2445	53	6	1
57-2259	27	21	1	57-4346	31	50	1	60-2599	73	—	1
57-2297	35	40	1	57-4357	35	33	1	60-2600	67	24	2
57-2330	35	29	1	57-4360	33	31	1	60-2630	43	18	2
57-2331	41	37	1	57-4363	33	32	1	60-2632	47	7	1
57-2165	27	45	1	57-4364	33	29	1	60-2639	47	25	2
57-2473	27	7	2	57-4366	33	30	1	60-2647	73	1	1
57-2474	27	6	1	57-4368	33	23	1	60-2683	41	11	1
57-2478	25	4	1	57-4370	33	9	1	60-2683	41	33	2
57-2479	25	36	1	57-4374	33	7	1	60-2720	45	65	1
57-2480	25	3	1	57-4374	33	35	1	60-3275	57	21	1
57-2547	27	9	1	57-4376	33	26	1	60-3313	51	40	1
57-2552	25	32	1	57-4377	33	25	1	60-3350	73	2	1



## NUMERICAL INDEX—cont.

Spares number	Page number	Key number	Per set
60-3351	73	—	1
60-3494	33	12	1
60-3494	33	20	1
60-3500	33	10	1
60-3510	33	2	1
60-3511	33	27	2
60-3530	35	11	1
60-3548	13	61	2
60-3552	29	33	1
60-3556	29	4	1
60-3557	53	8	1
60-3566	71	61	1
60-3567	71	54	1
60-3583	53	12	1
60-3585	53	5	1
60-3585	53	11	1
60-3586	53	4	1
60-3586	53	9	1
60-3632	55	48	1
60-3657	53	2	1
60-3669	47	13	1
60-3727	53	27	2
60-3761	15	12	6
60-3896	71	65	2
67-0645	47	28	2
68-0209	19	69	1
68-0331	17	34	1
68-0597	51	2	2
68-0610	59	24	1
68-3218	25	19	1
68-3218	33	8	1
68-3264	27	11	1
68-4577	57	12	1
68-4597	57	14	1
68-4708	41	44	1
68-4835	39	42	2
68-5050	43	35	1
68-8013	61	36	1
68-8016	61	3	1
68-8190	61	25	1
68-9115	39	38	3
68-9226	55	49	3
68-9337	39	37	6
70-0402	23	36	1
70-1523	21	93	1
70-1532	15	5	6
70-1532	23	29	1
70-1558	21	80	2
70-1591	15	24	1
70-1670	23	16	1
70-3974	19	65	1
70-4705	23	7	1
70-4746	15	38	4
70-4752	15	1	4
70-4752	15	39	4
70-4752	15	33	2
70-5977	27	27	6
70-5998	15	27	6
70-6018	13	48	2
70-6023	15	18	4
70-6025	15	25	2
70-6026	15	20	2
70-6038	23	20	1
70-6039	23	22	1
70-6061	27	34	1
70-6130	19	57	1
70-6173	19	61	1
70-6299	17	15	1
70-6299	13	65	6
70-6420	13	66	3
70-6422	13	44	3
70-6423	13	44	1
70-6454	23	23	1
70-6455	23	30	1
70-6459	23	32	1

Spares number	Page number	Key number	Per set
70-6496	15	9	1
70-6501	21	86	1
70-6502	23	19	1
70-6508	15	37	2
70-6509	15	34	2
70-6519	17	38	1
70-6521	17	33	3
70-6522	19	54	3
70-6523	21	79	2
70-6524	19	64	1
70-6529	15	6	1
70-6559	17	32	3
70-6560	15	36	4
70-6561	11	3	1
70-6562	11	9	1
70-6563	11	1	1
70-6564	11	13	1
70-6567	23	13	1
70-6570	23	28	2
70-6571	19	58	1
70-6573	21	101	1
70-6574	21	102	1
70-6577	15	19	3
70-6580	21	85	1
70-6584	23	15	1
70-6743	11	32	3
70-6744	11	36	3
70-6836	15	30	3
70-6838	6	—	6
70-6838	15	32	3
70-6838	15	33	3
70-6840	15	28	6
70-6848	59	27	2
70-6885	23	44	1
70-6890	23	46	1
70-6955	15	40	4
70-7246	23	43	1
70-7248	23	3	1
70-7351	61	14	1
70-7738	19	71	1
70-7879	19	43	1
70-7951	5	—	—
70-7983	13	71	3
70-8720	13	55	6
70-8731	23	25	2
70-8732	23	33	4
70-8738	17	5	2
70-8740	17	19	1
70-8741	17	18	1
70-8742	17	16	1
70-8744	17	12	1
70-8745	15	22	4
70-8746	15	14	1
70-8748	15	14	1
70-8751	17	4	2
70-8755	21	92	1
70-8756	17	29	1
70-8760	19	74	1
70-8763	19	48	1
70-8764	17	10	1
70-8765	17	11	1
70-8768	21	76	1
70-8770	17	8	10
70-8773	11	21	2
70-8774	17	9	2
70-8774	17	23	2
70-8776	17	26	2
70-8778	15	23	1
70-8780	15	21	1
70-8781	13	39	1
70-8782	11	22	4
70-8782	27	18	1
70-8783	13	59	6
70-8785	23	47	1
70-8786	23	6	1
70-8787	13	62	6

Spares number	Page number	Key number	Per set
70-8788	13	63	6
70-8789	13	64	6
70-8817	15	4	8
70-8819	11	10	2
70-8820	11	8	4
70-8860	11	33	3
70-8896	31	56	1
70-8904	59	28	1
70-8905	13	47	1
70-8914	15	7	3
70-8917	15	35	6
70-8981	13	67	3
70-9016	6	—	6
70-9017	6	—	6
70-9018	6	—	6
70-9023	15	27	6
70-9024	15	27	6
70-9025	15	27	6
70-9026	15	27	6
70-9027	15	18	4
70-9028	15	18	4
70-9029	15	18	4
70-9030	15	18	4
70-9060	71	49	3
70-9073	71	39	2
70-9073	71	48	2
70-9138	57	20	1
70-9237	11	16	4
70-9239	11	15	4
70-9240	11	7	8
70-9242	71	47	1
70-9243	71	35	3
70-9243	71	45	1
70-9251	71	53	1
70-9252	71	42	1
70-9253	71	36	3
70-9254	71	40	1
70-9255	71	52	1
70-9256	27	40	1
70-9258	27	29	2
70-9258	27	35	1
70-9266	19	41	2
70-9278	71	38	1
70-9327	31	60	1
70-9465	15	8	4
70-9510	13	41	3
70-9558	13	49	2
70-9586	69	10	3
70-9601	23	34	1
70-9706	17	21	1
70-9727	15	11	6
70-9739	6	—	3
70-9739	15	31	3
70-9740	15	10	3
70-9741	6	—	—
70-9741	15	29	3
70-9762	6	—	—
70-9763	6	—	—
70-9764	6	—	—
70-9766	6	—	3
70-9767	6	—	3
70-9768	6	—	3
70-9807	21	75	1
70-9820	71	44	1
70-9821	71	41	1
70-9843	15	26	4
70-9856	21	91	2
70-9880	71	43	1
70-9885	23	24	1
70-9886	23	40	1
70-9887	23	31	1
71-0003	23	27	3
71-0006	19	44	1
71-0037	35	1	1
71-0070	13	60	6



NUMERICAL INDEX—cont.

Spares number	Page number	Key number	Per set
71-0245	71	51	1
71-0280	11	6	2
71-1051	23	45	1
71-1070	19	56	1
71-1070	21	87	2
71-1129	15	16	4
71-1130	19	42	1
71-1157	11	28	1
71-1160	11	35	2
71-1168	11	25	1
71-1172	13	45	1
71-1175	11	24	1
71-1238	15	2	6
71-1270	19	55	1
71-1287	11	20	1
71-1287	13	54	1
71-1288	11	19	1
71-1288	13	53	1
71-1289	13	56	1
71-1290	11	11	1
71-1303	71	57	1
71-1348	19	68	1
71-1349	21	83	6
71-1351	5	—	—
71-1351	23	21	1
71-1353	23	41	1
71-1439	17	20	1
71-1441	17	37	1
71-1442	23	18	1
71-1443	19	45	1
71-1444	17	27	2
71-1445	11	12	1
71-1446	13	72	6
71-1447	31	61	1
71-1449	27	3	1
71-1450	35	42	1
71-1451	29	3	1
71-1452	25	21	1
71-1453	23	11	1
71-1454	25	8	1
71-1733	15	3	1
71-2246	21	96	1
71-2248	21	78	1
71-2249	21	77	1
71-2250	21	97	1
71-2369	23	17	1
71-2382	55	41	2
71-2422	5	—	—
71-2455	11	31	1
71-2457	11	31	1
71-2483	59	13	1
71-2484	59	29	1
71-2660	23	2	1
71-2718	21	81	2
71-2792	23	14	1
71-2793	27	24	1
71-3228	59	13	1
71-3229	59	29	1
75-0176	29	22	1
75-0223	19	49	1
75-2719	53	32	4
75-2725	53	31	2
75-4909	55	50	4
75-9076	73	7	1
75-9089	73	8	1
76-0012	61	5	1
76-0101	59	2	2
76-0217	19	72	2
76-0217	27	43	2
76-0217	29	5	2
76-0217	29	24	2
76-0291	17	36	1
76-0293	65	48	2
76-4120	61	10	1

Spares number	Page number	Key number	Per set
82-1335	43	1	2
82-3098	43	14	1
82-5943	37	24	4
82-6874	59	30	1
82-6981	67	19	1
82-7387	41	15	1
82-7431	57	17	1
82-7835	55	45	4
82-8250	61	29	4
82-8256	57	30	1
82-8327	61	12	1
82-8382	41	38	1
82-8391	61	17	1
82-8463	57	8	1
82-8468	41	19	1
82-8475	41	28	2
82-8476	41	48	1
82-8477	41	30	2
82-8478	41	29	2
82-8495	57	1	1
82-8508	37	13	1
82-8509	39	52	3
82-8510	37	17	1
82-8549	57	24	3
82-8582	41	47	1
82-8588	61	18	1
82-8589	61	18	1
82-8590	61	19	1
82-8591	61	19	1
82-8609	61	26	1
82-8610	61	20	1
82-8611	61	20	1
82-8627	59	32	1
82-8657	59	1	4
82-8743	57	19	1
82-8918	39	35	1
82-8919	59	35	1
82-8946	61	28	4
82-8947	61	27	4
82-9004	57	13	1
82-9008	57	10	3
82-9020	57	4	2
82-9046	43	21	2
82-9157	59	6	4
82-9157	59	6	6
82-9315	59	12	1
82-9378	37	3	1
82-9379	37	8	1
82-9435	59	31	1
82-9436	61	16	1
82-9530	59	26	1
82-9531	59	26	1
82-9562	57	15	3
82-9571	59	8	2
82-9573	59	7	4
82-9624	37	21	1
82-9625	37	12	1
82-9641	39	34	1
82-9642	37	18	1
82-9653	37	27	2
82-9654	57	25	3
82-9664	59	18	1
82-9684	39	39	1
82-9686	37	20	1
82-9782	61	34	1
82-9794	61	4	1
82-9906	59	9	2
82-9918	59	34	4
82-9919	61	31	1
82-9920	61	8	1
82-9964	53	28	2
82-9964	55	47	1
82-9997	59	36	1
83-0002	61	13	1
83-1384	57	28	1

Spares number	Page number	Key number	Per set
83-1386	59	33	1
83-1430	55	54	2
83-1535	41	50	2
83-1585	59	20	1
83-1628	41	36	1
83-1952	59	19	1
83-1984	57	29	2
83-2209	43	24	2
83-2209	43	30	2
83-2211	43	29	2
83-2726	51	20	1
83-2727	51	21	1
83-2728	51	22	1
83-2736	51	42	1
83-2747	61	7	1
83-2800	61	15	1
83-2801	61	15	1
83-2834	51	1	1
83-3146	61	33	1
83-3147	61	6	1
83-3160	51	12	1
83-3199	59	25	1
83-3211	51	41	2
83-3241	41	10	1
83-3242	41	13	1
83-3243	5	—	—
83-3243	41	16	1
83-3259	51	31	1
83-3262	5	—	—
83-3262	37	4	1
83-3266	49	47	1
83-3269	67	7	1
83-3270	61	30	1
83-3271	61	30	1
83-3279	55	39	1
83-3280	55	39	1
83-3331	59	23	1
83-3355	61	16	1
83-3419	51	39	1
83-3438	55	46	1
83-3442	55	44	1
83-3443	51	32	1
83-3525	65	43	2
83-3665	71	55	1
83-3830	61	9	1
83-3853	55	46	1
83-3858	59	5	2
83-3875	61	32	1
83-3985	41	9	1
83-3987	39	36	1
83-4085	41	39	1
83-4157	55	51	1
83-4158	53	26	1
83-4277	41	12	1
83-4437	59	5	2
89-3208	35	17	1
90-0262	17	13	2
90-6219	51	3	2
97-0095	45	68	1
97-0111	37	5	2
97-0435	45	70	1
97-0439	43	10	1
97-1527	45	36	2
97-1529	43	27	2
97-1580	45	38	2
97-1581	45	39	2
97-1797	45	69	1
97-2221	45	37	2
97-2237	45	42	1
97-2266	43	34	1
97-2275	45	41	1
97-2291	43	2	2
97-3875	45	72	1

NUMERICAL INDEX—cont.

Spares number	Page number	Key number	Per set
97-3893	.. 45	.. 62	.. 2
97-3894	.. 45	.. 63	.. 2
97-3947	.. 45	.. 59	.. 2
97-4001	.. 45	.. 55	.. 2
97-4002	.. 45	.. 54	.. 2
97-4003	.. 45	.. 48	.. 2
97-4004	.. 45	.. 53	.. 2
97-4007	.. 43	.. 11	.. 2
97-4009	.. 45	.. 51	.. 2
97-4010	.. 45	.. 49	.. 2
97-4020	.. 45	.. 47	.. 2
97-4021	.. 51	.. 6	.. 4
97-4022	.. 51	.. 7	.. 4
97-4026	.. 67	.. 23	.. 2
97-4033	.. 45	.. 56	.. 1
97-4034	.. 43	.. 9	.. 2
97-4076	.. 45	.. 52	.. 2
97-4084	.. 43	.. 28	.. 1
97-4085	.. 45	.. 64	.. 1
97-4102	.. 45	.. 67	.. 1
97-4112	.. 55	.. 52	.. 4
97-4145	.. 43	.. 7	.. 1
97-4157	.. 43	.. 8	.. 1
97-4162	.. 43	.. 22	.. 1
97-4163	.. 43	.. 22	.. 1
97-4166	.. 43	.. 4	.. 2
97-4215	.. 43	.. 13	.. 2
97-4242	.. 45	.. 50	.. 2
97-4244	.. 45	.. 46	.. 2
97-4248	.. 65	.. 43	.. 2
97-4251	.. 55	.. 53	.. 1
97-4252	.. 55	.. 53	.. 1
97-4270	.. 51	.. 5	.. 1
97-4272	.. 51	.. 5	.. 1
97-4309	.. 43	.. 3	.. 2
97-4323	.. 43	.. 5	.. 1
97-4340	.. 5	.. —	.. —
97-4340	.. 43	.. —	.. 1
97-4341	.. 43	.. 15	.. 1

Spares number	Page number	Key number	Per set
---------------	-------------	------------	---------

Spares number	Page number	Key number	Per set
---------------	-------------	------------	---------



## B.S.A. SPARES STOCKISTS

Save time and postage by contacting your nearest B.S.A. Stockist for B.S.A. Spare Parts, Spare Part Catalogues, Instruction Books, Transfers, etc.

All B.S.A. Dealers carry stocks of B.S.A. Spare Parts but the following appointed Stockists maintain a comprehensive range.

Town	Name of Stockist	Address	Telephone No.
Aberdeen .. ..	George Cheyne (Cycles) Ltd. .. ..	147-149 Holburn Street .. ..	0224 50341/2
Accrington .. ..	N. Goulding Ltd. .. ..	396 Blackburn Road .. ..	0254 31221
Aldershot .. ..	Archer & Sons .. ..	149 Victoria Road .. ..	0252 20323/4
Ashington .. ..	Mains of Ashington .. ..	1 Laburnam Terrace .. ..	3204
Banbury .. ..	Eddie Dow Ltd. .. ..	Southam Road, Oxon. .. ..	0295 4287/8
Barnsley .. ..	T. Garner & Son .. ..	John Street Showrooms, New St. .. ..	0226 2866 (P.B.E.)
Barnstaple .. ..	Godfrey Sampson .. ..	129 Boutport Street .. ..	0271 2952
Barrow-in-Furness	E. & E. Roberts .. ..	162 Rawlinson Street .. ..	1104
Basingstoke .. ..	H. J. Gifford Ltd. .. ..	Giffords Corner .. ..	0256 5266/7
Bath .. ..	R. U. Holoway & Son .. ..	32, 33 & 34 St. Johns Road .. ..	0225 64101/5084
Beccles .. ..	L. C. Green & Son (Beccles) Ltd. .. ..	Peddars Lane .. ..	0502 - 71 2370
Belfast .. ..	W. J. Chambers & Co. .. ..	106 & 108 Donegal Pass .. ..	0232 27253/4
Birmingham .. ..	C. E. Cope & Sons Ltd. .. ..	477-487 Hagley Road, Smethwick, .. ..	021 - 429 3501
		Warley, Worcestershire .. ..	021 - 554 2091
	Aston Auto Motors .. ..	33-41 Potters Hill, B'ham 6 .. ..	021 - 772 2062
	Vale-Onslow (Mtrs.) Ltd. .. ..	116 Stratford Road, B'ham 11 .. ..	021 - 783 3297
	W. G. King .. ..	608 Bromford Lane, B'ham 8 .. ..	0253 32957
Blackpool .. ..	J. Hall & Son (Blackpool) Ltd. .. ..	102-106 Devonshire Road .. ..	0908 - 2 2211
Bletchley (Bucks) .. ..	A. W. Mayle .. ..	13 Victoria Road .. ..	0204 23931
Bolton .. ..	Charlie Robinson (Motor Cycles) Ltd. .. ..	119 & 121 Higher Bridge Street .. ..	0274 33971
Bradford .. ..	J. K. Hirst Ltd. .. ..	16 Listerhills Road .. ..	0042 3082
Bridgend .. ..	Auto Spares (Waterton Cross Motors) .. ..	Smithie Lane, Market Street .. ..	0273 61391
Brighton .. ..	Redhill Motors (Brighton) Ltd. .. ..	104 North Road .. ..	0272 551538
Bristol .. ..	Fowlers of Bristol Ltd. .. ..	96-100 Grosvenor Road .. ..	0284 4635
Bury St. Edmunds	C. J. Bowers & Son .. ..	98a-100 Risbygate Street .. ..	2653
Caernarvon .. ..	Gareth Jones .. ..	39 Pool Street .. ..	0223 56225
Cambridge .. ..	Hallens of Cambridge Ltd. .. ..	Hawthorne Way .. ..	0227 62275
Canterbury .. ..	Hallets of Canterbury Ltd. .. ..	St. Dunstan's Street .. ..	0222 30022
Cardiff .. ..	Car Distributors (Cardiff) Ltd. .. ..	B.S.A. House, 134-140 City Rd. .. ..	0228 25024
Carlisle .. ..	W. T. Tiffen & Sons. .. ..	Irishgate Brow .. ..	0256 6233
Carmarthen .. ..	Eddie Stephens Motors Ltd. .. ..	22-23 Water Street .. ..	0634 44005
Chatham .. ..	Grays of Chatham Ltd. .. ..	1-25 High Street .. ..	0245 54844
Chelmsford .. ..	Hadlers Garage Ltd. .. ..	200 Baddow Road .. ..	0242 22887
Cheltenham .. ..	H. & L. Motors Ltd. .. ..	Bath Street .. ..	0244 25510
Chester .. ..	Davies Bros. (Chester) Ltd. .. ..	Pierpoint Lane, Bridge Street .. ..	0246 3622
Chesterfield .. ..	Walter Wragg Ltd. .. ..	95 Lordsmill Street .. ..	0285 2467
Cirencester .. ..	Peter Hammond Motor Cycles .. ..	44 Watermoor Road .. ..	0206 74765
Colchester .. ..	P. & C. Motor Cycles .. ..	36-38 Military Road .. ..	0203 87083
Coventry .. ..	Len Bayliss Ltd. .. ..	528-530 Stoney Stanton Road .. ..	0203 22453
	Albany Motor Cycle Spares Ltd. .. ..	51 Warwick Road .. ..	0325 67757
Darlington .. ..	White Bros. (Darlington) Ltd. .. ..	201-209 Northgate .. ..	0322 24279
Dartford .. ..	Schweiso Bros. Ltd. .. ..	177-183 Lowfield Street .. ..	0332 22920
Derby .. ..	Ingles Provincial Garages Ltd. .. ..	Walbrook Road .. ..	0332 42813
	Wilemans Motors .. ..	99-105 Siddals Street .. ..	



## B.S.A. SPARES STOCKISTS—*contd.*

Town	Name of Stockist	Address	Telephone No.	
Doncaster .. ..	Cusworths Distributors Ltd.	Princegate .. .. .	0302 4594	
	Raynes Motors Ltd. .. ..	10 Cleveland Street .. ..	0302 2365	
Dundee .. ..	J. Gow Ltd. .. .. .	Session Street .. .. .	0382 26705	
Dunfermline .. ..	Angus Campbell Ltd. .. ..	40-50 Campbell Street .. ..	22903	
Edgware (Middsx)	Rex Judd Ltd. .. .. .	415 Burnt Oak, Broadway .. ..	01 - 952 6911	
Enfield .. ..	Excel Motors (Enfield) Ltd.	265 Hertford Road, Enfield .. ..	01 - 804 3568	
	D. J. Shepherd & Co. (Enfield) Ltd.	434-436 Hertford Road, Enfield .. ..	01 - 804 5251	
Exeter .. ..	P. Pike & Co. Ltd. .. .. .	Alphington Street .. .. .	0392 58241	
Glasgow .. ..	Victor Devine .. .. .	219-223 Gt. Western Road .. ..	041 - 332 6264	
Gloucester .. ..	Mead & Tomkinson .. .. .	143 Westgate Street .. .. .	0452 21794	
Greenford .. ..	Bob Keeler Ltd. .. .. .	300-302 Ruislip Road East .. ..	01 - 578 3218	
Grimsby .. ..	H. J. Gresswell & Son Ltd. .. ..	13-17 Osborne Street .. .. .	0472 2202	
Guernsey .. ..	Millard & Co. Ltd. .. .. .	Victoria Road .. .. .	0481 20777	
Guildford .. ..	Miner & Bruce .. .. .	Bedford Road .. .. .	0483 61243	
Heswall .. ..	Len Williams .. .. .	70 Pensby Road .. .. .	051 - 342 1510	
Hornchurch .. ..	T. W. Kirby Ltd. .. .. .	10 Roneo Corner .. .. .	48785	
Horsham .. ..	Harold Lines Ltd. .. .. .	108 Crawley Road .. .. .	0403 2274	
Huddersfield .. ..	G. A. Earnshaw Ltd. .. .. .	Manchester Road .. .. .	0484 21232	
Hull .. ..	Miles (Hull) Ltd. .. .. .	353-359 Anlaby Road .. .. .	0482 23529	
Ipswich .. ..	Revetts Ltd. .. .. .	53-63 Norwich Road .. .. .	0473 53726/7	
Jersey .. ..	Colebrooks Ltd. .. .. .	1-2 Victoria Street, St. Helier .. ..	Central 20531	
Kirkcaldy .. ..	County Motors (Kirkcaldy) Ltd.	Junction Road .. .. .	51061	
Launceston .. ..	J. Wooldridge & Son .. .. .	Western Road .. .. .	2521	
Leamington Spa .. ..	Jack Butler & Co. .. .. .	1a Clarendon Avenue .. .. .	0926 23943	
Leeds .. ..	Watson Cairns & Co. Ltd. .. ..	157-158 Lower Briggate .. .. .	0532 33024/5	
Leicester .. ..	A. E. Milnes & Son .. .. .	190-192 Belgrave Gate .. .. .	0533 24272	
Liverpool .. ..	Cundle Motors Ltd. .. .. .	7-9 Pembroke Place .. .. .	051 - 709 6814	
Llawhaden .. ..	James Bowen & Sons (Llawhaden) .. ..	Llawhaden, nr. Narberth, Pem. .. ..	206	
London, E.6 .. ..	E. E. Atkinson (Motors) Ltd.	415-417 Barking Rd., East Ham .. ..	01 - 472 0427	
	E.18 .. ..	Ruggs .. .. .	169 High Rd., Woodford South .. ..	01 - 504 1102
	N.1 .. ..	W. E. Humphreys Ltd. .. .. .	123 Essex Road, Islington .. .. .	01 - 226 4206
	N.W.10 .. ..	Slocombs Ltd. .. .. .	251-253 Neasden Lane, Neasden .. ..	01 - 450 8055
	S.E.11 .. ..	Writers Ltd. .. .. .	161-165 Kennington Lane .. .. .	01 - 735 1362
	S.E.13 .. ..	F. Parks & Son Ltd. .. .. .	408 High Street, Lewisham .. .. .	01 - 690 2676
	S.E.17 .. ..	Harvey Owen .. .. .	181-183 Walworth Road .. .. .	01 - 703 0282
	S.E.18 .. ..	Cleares of Woolwich Ltd. .. .. .	289 Plumstead High Street .. .. .	01 - 854 0174
	S.W.9 .. ..	Pride & Clarke Ltd. .. .. .	158 Stockwell Road .. .. .	01 - 274 6251
	S.W.11 .. ..	Owens Ltd. .. .. .	19 Battersea Rise, Clapham Junctn. .. ..	01 - 228 7816
		Elite Motors (Tooting) Ltd.	951-961 Garratt Lane, Tooting Broadway .. .. .	01 - 672 1200
	W.5 .. ..	Kays of Ealign Ltd. .. .. .	8-10 Bond Street .. .. .	01 - 567 2387
	Long Eaton .. ..	H. E. Buttler .. .. .	68-72 Tamworth Road .. .. .	0607 - 6 2930
	Luton .. ..	B. G. England (Luton) Ltd.	352 Leagrave Road .. .. .	0582 51241
	Maidstone .. ..	Redhill Motors (Maidstone) Ltd.	The Broadway, Maidstone .. .. .	0622 53096
	Manchester .. ..	Alex Parker .. .. .	322 Barlowmoor Road .. .. .	061 - 881 3266
		R. W. Horner & Sons .. .. .	45 Ayres Rd., Old Trafford .. .. .	061 - 226 2295
Mansfield .. ..	Henstocks .. .. .	128 Chesterfield Road .. .. .	0623 25311	
Matlock .. ..	David Tye .. .. .	Water Lane, Cromford, nr. Matlock .. .. .	0629 82321	
	J. T. Dickinson (Middlesbrough) Ltd.	368-374 Lindthorpe Road .. .. .	0642 86618	



## B.S.A. SPARES STOCKISTS—*contd.*

Town	Name of Stockist	Address	Telephone No.
Neath (Glam.)	Jim Morgan	37 Windsor Road	0639 2661
Newcastle-on-Tyne	Kens (Motor Cycles)	246 Westgate Road	0632 21793
Newport (Mon.)	R. J. Ware & Sons	83 Commercial Street	0633 66026
	Beechwood Motors	426 Chepstow Road	0633 72338
Northampton	Mick Berrill	1 Henry Street	0604 36760
Northwich (Cheshire)	Northwich Motorcycles Ltd.	120-131 Witton Street	0606 2720
Norwich	Chapmans (Norwich) Ltd.	36-42 Duke Street	0603 29825
Nottingham	Kingston Motorcycles Ltd.	1-3 Wilford Street	0602 42031
Oldbury	Tom Swallow	Freeth Street	021 - 552 2225
	B. Joyner & Son	816 Wolverhampton Road	021 - 552 2577
Oxford	Faulkner & Son	55 Walton Street	0092 57279
Peterborough	W. H. Balderston	339 Lincoln Road, Millfield	0733 5470
Poole	Huxhams	149-155 Ashley Rd., Parkstone	0201 - 4532
Portsmouth	Jenkin & Purser Ltd.	275 Copnor Road	0705 60281
	Percy Kiln Ltd.	65-67 Elm Grove	0705 23734
Pulborough	Gray & Rowsell (Bury) Ltd.	Bury Gate, Pulborough	0798 - 2 304
Radcliffe	Will Lord (Motor Cycles) Ltd.	115 Blackburn Street	061 - 723 2002
Reading	Fortesque Bros. Ltd.	1-2 West Street	0734 54143
Rotherham	Ernest Cross	55 Drummond Street	0709 3987
Scunthorpe	Rusty's (Motor Cycles) Ltd.	18-22 High Street	0724 3348
Sheffield	Leather & Simpson Ltd.	Flora Street Garage	0742 343173
Shrewsbury	J. R. Meredith	Coleham Head	0743 6529
Sittingbourne	Scoones Garage	9 West Street	0795 72866
Slough	Sid Moram	Wexham Corner, High Street	0753 23767
Southampton	Alec Bennett Ltd.	152 Portswood Road	0703 54081
St. Albans	Clarkes Ltd.	164 London Road	0727 53153
Stafford	Motor Cycle Mecca	38 Mill Street	0785 2777
Stanford-le-Hope	Nelson & Ford Ltd.	20 Corringham Road	0375 - 86 2823
Stockport	H. D. Cartwright (Motor Cycles) Ltd.	74 Buxton Road, Heaviley	061 - 480 5180
Stoke-on-Trent	J. & N. Bassett	Howards Place, Shelton	0782 22890
Sunderland	T. Cowie Ltd.	Millfield	70491
Swansea	J. Brayley	25 Dillwyn Street	0792 54733
Swindon	Swindon Motor Co. Ltd.	The Motor House, 34 Wood St.	0793 22065
Tamworth	Motor Cycle Shop (Tamworth) Ltd.	2-3 Market Street	0823 2711
Taunton	Vincent & Jerrom Ltd.	38 East Reach	0823 2378
Thames Ditton	Comerfords Ltd.	Portsmouth Rd., Thames Ditton	01 - 398 5531
Truro	W. H. Collins & Son (Motors) Ltd.	Kenwyn Mews	0872 4334
Tunbridge Wells	F. R. Philpot	44 St. Johns Road	0892 22184
Twickenham	Blays of Twickenham Ltd.	192-199 Heath Road	01 - 894 2103
Walsall	The Motor Cycle Mart (Walsall) Ltd.	12 Ablewell Street	23363
Warrington	Jack Frodsham Ltd.	60 Winwick Street	0925 34713
Watford	Lloyd Cooper & Co. Ltd.	96 Queens Road	0923 21125
Wellington (Salop)	Bill Doran & Matt Wright	6 Whitchurch Road	0952 4138
Westcliff-on-Sea	J. Costin & Sons	237 London Road	0702 42215
Weybridge	Lewis & Sons (Weybridge) Ltd.	51 Church Street	0932 42210
Weymouth	Tilleys (Dorset) Ltd.	9 Frederick Place	5672
Wolverhampton	C. E. Cope & Sons Ltd.	169 Stafford Street	24605/6
	George Lathe	125 Salop Street	24516
Worcester	W. J. Bladder & Son	52 Sidbury	0905 22438
Wrexham	Border Motor Cycles	15 Town Hill	0978 3788



## OVERSEAS DISTRIBUTORS

ABU DHABI .. .. .	Salim Ebrahim Al-Saman, P.O. Box 271, Arabian Gulf.
ADEN (Peoples Republic of SOUTHERN YEMEN) .. ..	P.O. Box No. 686, Hodeidah, Y.A.R.
ANTIGUA (Leewards) .. ..	Stephen R. Mendes (Antigua) Ltd., P.O. Box 120, The Colonial House, 18 Thames Street, St. John's.
ARGENTINA .. .. .	Ditlevsen & Cia. Ltda., Av. Ingeniero Huergo 1335, Buenos Aires.
<b>AUSTRALIA:</b>	
South Australia .. .. .	Taylors Wholesale (Pty) Ltd., Box 579E G.P.O., 27 Gilbert Street, Adelaide.
Queensland .. .. .	Brisk Sales (Pty) Ltd., 170 Logan Road, Buranda, South Brisbane, Queensland 4102.
West Australia .. .. .	Mortlock Sales & Service, 914 Hay Street, Perth 6000.
Victoria .. .. .	Minilya (Pty) Ltd., 126 Thistlewaite Street, South Melbourne, Victoria 3205.
New South Wales .. .. .	Burling & Simmonds (Pty) Ltd., 150 Parramatta Road, Auburn, N.S.W., Australia 2144
<b>FOR FURTHER INFORMATION CONSULT:</b>	
Australian and New Zealand Factory Representative .. .. .	L. P. Hamilton, P.O. Box 222, South Yarra, S.E.1. .Victoria.
AUSTRIA .. .. .	Ferdinand Eichler, Hegelgasse 5, Vienna 1/1.
AZORES .. .. .	Hayes & Travell Limited, Ponta Delgada, St. Michael's.
BAHAMAS .. .. .	Nassau Bicycle Company, P.O. Box 191, Bay and Market Streets, Nassau.
BAHREIN .. .. .	United Commercial Agencies, P.O. Box 166, Bahrain, Arabian Gulf.
BARBADOS .. .. .	M. G. Tucker & Company, Bridgetown.
BELGIUM .. .. .	Ets. J. Vanden Borre & Fils, S.P.R.L., 74 Rue de la Pastorale, 1080, Brussels.
BERMUDA .. .. .	Holmes, Williams & Purvey Limited, P.O. Box 444, Hamilton.
BOLIVIA .. .. .	Importadora Zbinden & Cia, Casilla 194, La Paz.
BRAZIL .. .. .	Mesbla S.A., Rua de Passeio 42/56, Rio de Janeiro.
BRITISH HONDURAS .. ..	Santiago Castillo Lta., P.O. Box 69, Belize.
BURMA .. .. .	Vavasseur Levetus Export Limited, 6 Lloyds Avenue, London E.C.3.
CAMEROON .. .. .	Autobecker Cameroons, P.O. Box 13, Buea, West Cameroons.
CAMBODIA .. .. .	Comin Khmere S.A., B.P. 625, Phom-Penh.
<b>CANADA:</b>	
British Columbia, Alberta, Saskatchewan and Manitoba .. ..	Fred Deeley Ltd., 595 West 7th Avenue, Vancouver 9
Ontario, Quebec, Newfoundland and Maritime Provinces .. ..	Raymond Burke Motors Ltd., 65 Bessemer Road, London, Ontario.
CANARY ISLANDS .. .. .	J. Gonzalez Suarez, Nicolas Estevanez 4, P.O. Box 2009, Puerto de la Luz, Las Palmas.
CEYLON .. .. .	Cargills (Ceylon) Limited, P.O. Box 23, Colombo.
CHINA (Republic) .. .. .	M. D. Ewart & Company Limited, Riverbank House, 67 Upper Thames Street, London E.C.4.
COOK ISLANDS .. .. .	United Island Traders Limited, P.O. Box 1, Raratonga.
COSTA RICA .. .. .	Rosich Ltda., Apartado Postal 3922, San Jose, Costa Rica.
CYPRUS .. .. .	P. G. Sykas, St. Andrew Street No. 107, Limassol.
DENMARK .. .. .	H. V. Hansen Motors & Cycles A/s, G1 Kongevej 127-131, Copenhagen V.
DOMINICA (Leewards) .. ..	A. C. Shillingford & Company, P.O. Box 123, The Garage, Roseau.
DOMINICAN REPUBLIC .. ..	General Sales Company, Apartado 746, Santo Domingo, R.D.



## OVERSEAS DISTRIBUTORS

<b>DUBAI</b> .. .. .	Saeed & Mohamed Al-Naboodah, P.O. Box 1200, Deira-Dubai, Arabian Gulf.
<b>ECUADOR</b> .. .. .	Commercial Importadora Pareja C.A., Casilla 841, Guayaquil.
<b>EGYPT</b> .. .. .	El Nasr Export & Import Company, 28A Talaat-Harb Street, Cairo.
<b>EL SALVADOR</b> .. .. .	G. A. Portillo, 2A Calle Oriente No. 337, San Salvador.
<b>ETHIOPIA</b> . . . . .	Arabian Trading Company, P.O. Box 23, 155 Sunningham Street, Addis Ababa. Arabian Trading Company (Red Sea) Limited, P.O. Box 1089, Asmara.
<b>FORMOSA (TAIWAN)</b> .. .. .	Yah Sheng Chong Yung Kee Company Limited, 198 Nanking East Road, Section 2, Taipei, Taiwan.
<b>FALKLAND ISLANDS</b> .. .. .	The Falkland Island Trading Company Limited, West Store, Port Stanley.
<b>FIJI</b> .. .. .	Morris Hedstrom Limited, Suva.
<b>FINLAND</b> .. .. .	S. & N. Osakeyhtio, Bulevarden 5, Helsinki.
<b>FRANCE</b> .. .. .	C.G.C.I.M., 17 Rue du Debarcadere, Paris 17E.
<b>GAMBIA</b> .. .. .	French West Africa Company, P.O. Box 297, Bathurst.
<b>GERMANY (West)</b> .. .. .	Hein Gericke Motor Trading G.m.b.H., 4 Düsseldorf, Hammerstr. 21, Germany. Fa. Breeze, Hauptstrasse 10, 679 Landstuhl.
<b>GHANA</b> .. .. .	Hoeks (Ghana) Limited, P.O. Box 1888, Accra.
<b>GILBERT AND ELLICE IS.</b> .. .. .	Morris Hedstrom Limited, Apia, Samoa.
<b>GREECE</b> .. .. .	D. F. Papoutsas, 56 Halcocondyli Street, Athens.
<b>GRENADA (Windwards)</b> .. .. .	Glean's Garage, St. Patricks.
<b>GUADELOUPE</b> .. .. .	Ets. Albert-Lavault Gerard, B.P. 248, Pointe-a-Pitre.
<b>GUINEA (Republic)</b> .. .. .	The United Africa Motors Limited, P.O. Box 1, United Africa House, Blackfriars Road, London S.E.1. Operating through: Cie. Du Niger Francais, P.O. Box 619, Conakry.
<b>GUYANA</b> .. .. .	Bookers Stores Limited, Bookers Garage, 13-15 Water Street, Georgetown.
<b>HAITI</b> .. .. .	Jules Taverne, C/o Motor Service, Rue Paveeno No. 22, P.O. Box 1225, Port au Prince.
<b>HONDURAS (Republic)</b> .. .. .	M. Liebers, Aparado 51, Tegucigalpa, D.C.
<b>HONG KONG</b> .. .. .	British Bicycle Company, 8 Hennessy Road.
<b>ICELAND</b> .. .. .	Falkinn Limited, P.O. Box 1427, Reykjavik.
<b>INDIA</b> .. .. .	Vavasseur Levetus Export Limited, 6 Lloyds Avenue London E.C.3. Represented by: M. N. Kamat, 166E Vincent Road, Sunder Bhuvan, Dadar, Bombay 14. S. P. Bose, 56/1 Canning Street, Calcutta 1.
<b>INDONESIA</b> .. .. .	P. T. Platon, Post Box Dak 1266, Djakarta.
<b>IRAN</b> .. .. .	H. Mohammed Tavakolipoor Trading Firm, Avenue Boozariomehri, Teheran.
<b>IRAQ</b> .. .. .	Mahir Trading Company, W.L.L., P.O. Box 428, Baghdad.
<b>IRISH REPUBLIC</b> .. .. .	Huet Bros. Limited, 7-8 Bachelor's Walk, Dublin 1.
<b>ISRAEL</b> .. .. .	The Ofer Motor Company, 6 Hasadna Street, Tel-Aviv.
<b>ITALY</b> .. .. .	S.R.L. Ghe-Ba., Viale Gian Galeazzo 29, Milano.
<b>IVORY COAST</b> .. .. .	C.I.C.A., Two Wheels Department, B.P. 1280, Abidjan.
<b>JAMAICA</b> .. .. .	B.S.A. Agency Limited, P.O. Box 3, Denham Town, Kingston 14.

## OVERSEAS DISTRIBUTORS

JAPAN .. .. .	Balcom Trading Company Incorporated, Fukoku Building No. 2, 2-Chome Uchisaiwai-Cho Chiyoda-Ku, Tokyo.
JORDAN .. .. .	Near East Engineering Company, P.O. Box 1838, Amman.
KENYA .. .. .	Ali's Motorcycle Service, P. O. Box 30494, Nairobi.
KOREA .. .. .	Continental Industries Corporation, P.O. Box 1158, Seoul.
KUWAIT .. .. .	Kuwait National Trading & Contracting Company, P.O. Box 554, Kuwait, Arabia
LAOS .. .. .	Garage et Atelier Mecanique Lao, 387 Avenue Foch That Khao, Vientiane
LEBANON .. .. .	Riskallah Abdulkerim Boustany, P.O. Box 5270, Beirut.
LIECHTENSTEIN .. .. .	Hostettler A.G., Bahnhofstrasse 6210, Sursee, Switzerland.
LUXEMBOURG .. .. .	Motor Hall S.A.R.L., 48 Rue du Fort, Neyperg, Luxembourg-Gare
MADEIRA .. .. .	"Moto Stand", Avenida de Zarco 18, Funchal.
MALAWI .. .. .	Lilongwe Mechanical Development Limited, P.O. Box 289, Lilongwe.
MALAYSIA .. .. .	Cycle & Carriage Company (M) Limited, 362 Jalan Tunku Abdul Rahman, Kuala Lumpur.
MALI (Republic) .. .. .	United Africa Motors Limited, P.O. Box 1, United Africa House, Blackfriars Road, London S.E.1 Operating through: Compagnie du Niger Francais, P.O. Box 546, Bamako.
MALTA G.C. .. .. .	The John Bull Ironmongery Stores, No. 1, Block 1, St. Johns Street, Valetta.
MAURITANIA (Republic) .. .. .	The United Africa Motors Limited, P.O. Box 1, United Africa House, Blackfriars Road, London S.E.1. Operating through: Cie. du Niger Francais, Boite Postale No. 230, Saint-Louis, Senegal
MAURITUS .. .. .	Lising & Company Limited, 32 Royal Street, P.O. Box 548, Port Louis.
MEXICO .. .. .	Watson Phillips & Cia. Succs. S.A., Apartado Postal No. 67, Mexico 6, D.F. Alejandro Dominguez, Font Calle 60, Nun. 536, Merida, Yucatan.
NEPAL .. .. .	The Nepal Construction & Engineering Corporation (Priv.) Limited, P.O. Box 156, Kathmandu
NETHERLANDS .. .. .	Hart Nibbrig & Greeve N.V., Warmonderweg 12, Sassenheim.
NEW CALEDONIA .. .. .	Agence Marine Agricole Electrique, Boite Postale 473, Noumea.
NEW ZEALAND .. .. .	Percy Coleman & Company Limited, P.O. Box 11, Wanganui.
NIGERIA .. .. .	French West Africa Company, Motor Cycle Department, P.M.B. 2344, Lagos
NORWAY .. .. .	Erling Sande, Hausmannsgt 27, Oslo.
OKINAWA .. .. .	Pan Pacific Company, P.O. Box 16, Kadina, Okinawa, Ryukyu Islands
PAKISTAN: East .. .. .	M. O. Rizvi, 78/4 Nawab Salimullah Road, Dacca.
PANAMA .. .. .	Panama Automotive Engineering Incorporated, Apartado 7207, Panama City 5
PERU .. .. .	Luis Caballero Vegas, Agricola las Llamozas S.A., German Schreiber 299 of 405, San Isidro.
PHILIPPINES .. .. .	Campos Rueda & Sons Incorporated, P.O. Box 31, Manila. Campos Motors, P.O. Box 176, Quezon City.
PORTUGAL .. .. .	Silva Neto & Ca. Lda., Anadia and Rua do Bolhao 132, Oporto.
PORTUGUESE EAST AFRICA	Emideo Marques Cerejeira, Caixa Postal No. 1002, Lourenco Marques, Mozambique Operating through: AMD (Pty) Ltd., 143 Main Street, Johannesburg, South Africa.
PORTUGUESE GUINEA .. .. .	Nunes & Iramao, C.P. 83, Bissau.



## OVERSEAS DISTRIBUTORS

<b>QATAR</b> .. .. .	Darwish Automobiles, P.O. Box 40, Doha-Qatar, Arabian Gulf.
<b>SABAH</b> .. .. .	Harrisons & Crosfield Limited, 1-4 Great Tower Street, London E.C.3. Operating through: P.O. Box 22, Kota-Kinabalu; P.O. Box 131 and 132, Sandakan; P.O. Box 7, Labuan; P.O. Box 5 Tawau.
<b>Brunei</b> .. .. .	P.O. Box 25, Brunei; P.O. Box 16, Kuala Belait, State of Brunei.
<b>ST. LUCIA (Windwards)</b> ..	Peter & Company, Castries.
<b>ST. VINCENT (Windwards)</b> ..	Corea & Company Limited, P.O. Box 122, Bay Street, Kingstown.
<b>SAMOA</b> .. .. .	Morris Hedstrom Limited, Apia.
<b>SARAWAK</b> .. .. .	Kion Seng Hardware Sdn. BHD, P.O. Box 1079, Kuching.
<b>SAUDI ARABIA</b> .. .. .	Ebrahim Abdullah Juffali & Bros., P.O. Box 297, Jeddah.
<b>SEYCHELLES</b> .. .. .	Mahe Trading Limited, Victoria, Mahe.
<b>SENEGAL (Republic)</b> .. ..	The United Africa Motors Limited, P.O. Box 1, United Africa House, Blackfriars Road, London S.E.1. Operating through: Nouvelle Societe Commerciale Africaine, P.O. Box 397, Dakar.
<b>SIERRA LEONE</b> .. .. .	French West Africa Company, P.O. Box 70, Freetown.
<b>SINGAPORE</b> .. .. .	Cycle & Carriage Company Limited, P.O. Box 142, Orchard Road, Singapore.
<b>REPUBLIC OF SOUTH AFRICA</b>	AMD (Pty) Ltd., P.O. Box 2964, 143 Main Street, Johannesburg.
<b>SPAIN</b> .. .. .	Movilauto, Bravo Murillo 36, Madrid.
<b>SUDAN</b> .. .. .	George Jerdjian & Sons, P.O. Box 269, Khartoum.
<b>SWEDEN</b> .. .. .	AB.E. Fleron, P.O. Box 186-S201 21 Malmo.
<b>SWITZERLAND</b> .. .. .	Hostettler A.G., Postfach 150, Sursee.  Van Leisen S.A., 34 Rue de la Synagogue, Geneva.
<b>SYRIA</b> .. .. .	M. Chafik el Khiami, Rue el Nasr 169, Damascus.
<b>TANZANIA</b> .. .. .	International Motor Mart Limited, P.O. Box 9060, Dar-es-Salaam.
<b>THAILAND</b> .. .. .	Watana Yonta Company, 931/6-7 Rama 1st Road, Pathoomwan, Bangkok
<b>TONGA</b> .. .. .	E. M. Jones, P.O. Box 34, Nukualofa, Tonga Islands.
<b>TRINIDAD</b> .. .. .	J. K. Bayne Limited, 19 Richmond Street, Port of Spain.
<b>TUNISIA</b> .. .. .	Sotudiem, 35 Rue de Marseille, Tunis.
<b>TURKEY</b> .. .. .	Turkish Automobile Trade Company, Hezaren Caddesi No. 61-63, P.O.Box Karakoy 237, Karakoy Istanbul.
<b>UGANDA</b> .. .. .	The Uganda Company (Trading) Limited, P.O. Box 7001, Kampala.
<b>UNITED STATES OF AMERICA:</b>	
<b>East Coast</b> .. .. .	The Birmingham Small Arms Company, Incorporated, BSA Sales Division, P.O. Box 6790, Towson, Baltimore, Maryland 21204
<b>West Coast (including Alaska)</b>	The Birmingham Small Arms Company, Incorporated, BSA Sales Division, P.O. Box 337, Duarte, California 91010
<b>URUGUAY</b> .. .. .	Linn & Cia. S.A., Casilla Correo 1027, Montevideo.
<b>VENEZUELA</b> .. .. .	Moto Palace C.A., Edificio Oriol Avenue el Progreso Urb. las Acacias, Caracas.
<b>VIRGIN ISLANDS:</b>	
<b>British</b> .. .. .	B. J. Jelpke Limited, 312 York Road, London S.W.18.
<b>U.S.</b> .. .. .	H. Rhudel White, P.O. Box 622, St. Thomas.
<b>ZAMBIA</b> .. .. .	Anderson Enterprises Limited, P.O. Box 1868, Lusaka.