



COMMANDO

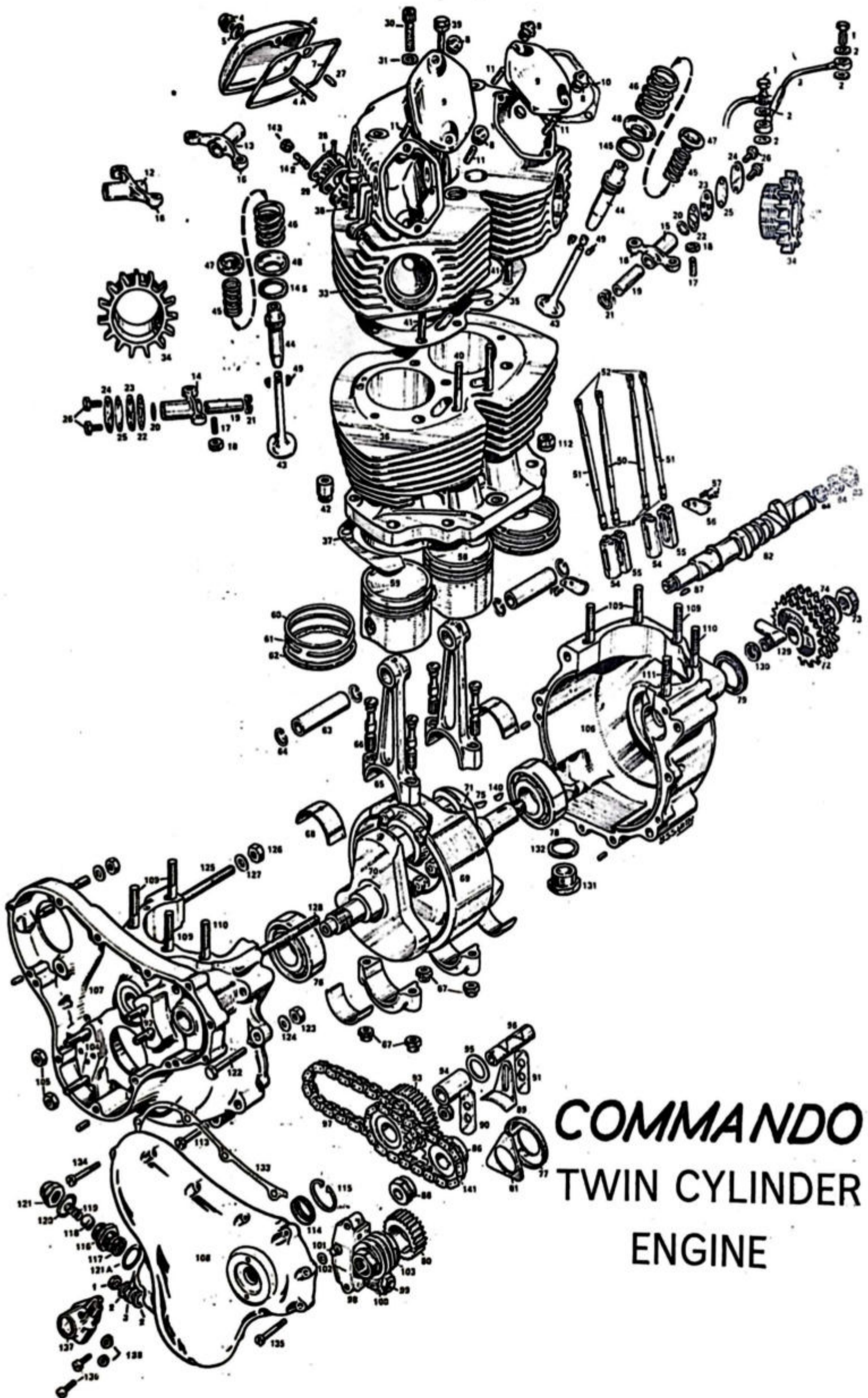
SPARES LIST

Published by

**NORTON VILLIERS LIMITED,
Norton Matchless Division,
44 Plumstead Road, Woolwich, London, S.E.18.
Telephone: 01-854 1223 : Telex: 22817
Cables: Nortonmatch London Telex.**

INDEX

Alternator 30	Headlamp 28
Air cable 20	Head steady stay 7
Air filter 33	Horn 30
Accessory cover 31	Ignition, coil capacitor 31
Battery and fittings 31	Kickstart 15
Battery box and carrier 24	Main bearings 5
Bearings—main 5	Mudguard—front 19
Brake and air lever 20	Mudguard—rear 19
Brake cable 20	Number plate—front... .. 19
Brake operating parts 28	Number plate—rear and Reflectors <i>- Table in Book...</i> 19
Cable clips 33	Oil pipes 22
Carburettor—Amal Type 930 9	Oil pump 6
Centre stand 17	Oil tank 22
Chaincase—front 24	Petrol tank 22
Chaincase—rear 24	Pillion footrests 24
Chains 11	Pistons and rings—standard 5
Clutch 13	Pistons and rings—oversize 5
Clutch cable 20	Pressure release 4
Clutch lever 20	Prop stand 17
Clutch operating parts 15	Rear lamp 30
Coil-capacitor ignition 30	Rear suspension units 15
Connecting rod 4	Rectifier and Zener diode 31
Crankcase 4	Revolution counter 33
Crankcase bolts 7	Rockers and covers 6
Crankcase breather 4	Seat—twin 22
Crankshaft 4	Silencers 9
Cylinder barrel and head 5	Speedometer 28
Chain oiler 22	Steering damper 19
Engine plates and bolts 7	Stop-light 30
Engine sprocket 9	Stop-light adjuster 30
Exhaust pipe 9	Swinging arm 15
Footrests 17	Switches and electrical sundries 31
Frame 15	Tail section 33
Front forks 17	Tappets and push rods 6
Gasket sets 31	Throttle cable 20
Gearbox bearings and seals 13	Timing gear 6
Gearbox fixing parts 11	Tools 33
Gearbox shell 11	Twin seat 22
Gearbox sprocket 13	Twist grip 20
Gearchange 13	Valves, guides and springs 5
Gears and shafts 11	Wheel—front 27
Handlebar 19	Wheel—rear 27
Handbrake and air lever 20	Zener diode, rectifier 31



**COMMANDO
TWIN CYLINDER
ENGINE**

A ENGINE

- | | |
|---|---|
| 1 Banjo bolt for oil feed pipe. | 73 Retaining nut for rotor. |
| 2 Washer for banjo bolt. | 74 Washer for rotor. |
| 3 Rocker feed pipe assembly. | 75 Key for engine sprocket. |
| 4 Domed nut for rear cap. | 76 Mainshaft bearing, timing side. |
| 4A Stud for rear cap. | 77 Sealing washer timing side bearing. |
| 5 Washer for domed nut. | 78 Mainshaft roller bearing, driving side. |
| 6 Rocker box cap (rear). | 79 Driving side shaft oil seal. |
| 7 Sealing washer for rear cap. | 80 Half time pinion. |
| 8 Nut for rocker box front cap stud. | 81 Backing plate for pinion. |
| 9 Rocker box cap (Front). | 82 Camshaft. |
| 10 Sealing washer for front cap. | 83 Stationary plate, camshaft breather. |
| 11 Stud for front cap. | 84 Rotary plate, timing breather. |
| 12 Rocker inlet, right hand. | 85 Spring for breather. |
| 13 Rocker inlet, left hand. | 86 Camshaft sprocket. |
| 14 Rocker exhaust, right hand. | 87 Key for sprocket. |
| 15 Rocker exhaust, left hand. | 88 Nut for sprocket and rev-counter drive. |
| 16 Rocker ball end. | 89 Chain tensioner slipper. |
| 17 Rocker adjuster. | 90 Plate for chain tensioner (Thick). |
| 18 Nut for adjuster. | 91 Plate for chain tensioner (Thin). |
| 19 Rocker shaft. | 92 Stud for chain tensioner. |
| 20 Thrust washer for shaft. | 93 Intermediate gear, with sprocket. |
| 21 Spring washer for shaft. | 94 Bush for intermediate gear. |
| 22 Joint washer for shaft. | 95 Washer for intermediate gear. |
| 23 Locking plate for shaft. | 96 Spindle for intermediate gear. |
| 24 Retaining plate for shaft. | 97 Driving chain for ignition. |
| 25 Joint washer for plate. | 98 Oil pump assembly. |
| 26 Bolt for shaft retaining plate. | 99 Nut for oil pump spindle. |
| 27 Dowel for rocker box cap (Rear). | 100 Worm gear wheel (on pump). |
| 28 Inlet manifold. | 101 Feed bush for pump. |
| 29 Allen bolt manifold to head. | 102 Sealing washer for feed bush. |
| 30 Allen bolt for head steady plate. | 103 Pump driving worm (on mainshaft). |
| 31 Washer for bolt. | 104 Stud, oil pump to crankcase. |
| 33 Cylinder head, with valve guides. | 105 Nut for stud. |
| 34 Finned locking nut for exhaust pipe. | 106 Crankcase, driving side only. |
| 35 Gasket cylinder head to barrel. | 107 Crankcase, timing side only. |
| 36 Cylinder barrel. | 108 Timing cover (for rev-counter fixing). |
| 37 Washer cylinder base to Crankcase. | 109 Crankcase cylinder base stud. |
| 38 Cylinder head bolt (Long). | 110 Crankcase cylinder base stud $\frac{5}{8}$ in. dia. |
| 39 Cylinder head bolt (Short). | 111 Crankcase cylinder base stud $\frac{3}{8}$ in. dia. |
| 40 Stud cylinder barrel to head. | 112 Nut, cylinder base stud $\frac{3}{8}$ in. |
| 41 Stud, cylinder head to barrel. | 113 Screw, timing to driving side crankcase sump. |
| 42 Nut, cylinder head to barrel stud. | 114 Mainshaft oil seal, in timing cover. |
| 43 Valve, exhaust. | 115 Circlip, mainshaft oil seal. |
| 44 Valve guide, inlet or exhaust. | 116/7 Pressure release assembly. |
| 45 Valve spring, inner. | 118 Pressure release piston. |
| 46 Valve spring, outer. | 119 Pressure release spring. |
| 47 Valve spring top cap. | 120 Pressure release union nut washer. |
| 48 Valve spring bottom collar. | 121 Pressure release body nut. |
| 49 Valve collet. | 121A Washer for pressure release union. |
| 50 Push rod complete, inlet. | 122 Crankcase bolt (Short). |
| 51 Push rod complete, exhaust. | 123 Nut, for bolt. |
| 52 Push rod top end. | 124 Washer for bolt. |
| 53 Push rod bottom end. | 125 Crankcase top stud (Rear). |
| 54 Tappet, right hand. | 126 Nut, for stud. |
| 55 Tappet, left hand. | 127 Washer for stud. |
| 56 Tappet location plate. | 128 Crankcase top stud (Front). |
| 57 Screw for location plate. | 129 Elbow for Crankcase breather pipe. |
| 58 Piston complete, left hand. | 130 Nut, for crankcase breather elbow. |
| 59 Piston complete, right hand. | 131 Crankcase oil sump filter body. |
| 60 Piston ring, compression, top, chrome. | 132 C. and A. washer filter body. |
| 61 Piston ring, compression, bottom, plain. | 133 Timing cover gasket. |
| 62 Piston ring, scraper. | 134 Timing cover screw, Long. |
| 63 Gudgeon pin. | 135 Timing cover screw, Short. |
| 64 Circlip for gudgeon pin. | 136 Fixing screw revolution counter drive. |
| 65 Connecting rod. | 137 Gear box revolution counter drive. |
| 66 Big end cap bolt. | 138 Washer for fixing screw. |
| 67 Nut for cap bolt. | 140 Key for alternator rotor. |
| 68 Big end bearing shell, upper. | 141 Driving chain for camshaft. |
| Big end bearing shell, lower. | 142 Stud inlet manifold to carburettor. |
| 69 Flywheel. | 143 Nut for stud. |
| 70 Crankshaft timing side. | 144 Washer for stud. |
| 71 Crankshaft driving side. | 145 Heat resisting washer. |
| 72 Engine sprocket 26 teeth. | |

Plate No. Part No. Description Qty. Bin No. £ s. d.

CRANKSHAFT

	06.0571	Crankshaft assembly—less connecting rods	1
A70	23262	Crankcheek—timing side	1
A71	06.0542	Crankcheek—driving side	1
A69	06.0731	Flywheel only	1
	T.2105	Flywheel crankcheek dowel	1
	T.2033	Crankcheek bolt	4
	T.2086	Crankcheek stud	2
	T.2032	Nut retaining plate	2
	T.2031	Crankcheek stud nut	6
	23280	Crankcheek bolt nut	2
	E.4591	Crankshaft plug	1

CONNECTING ROD

A65	25369	Connecting rod with cap	2
A66	23254	Connecting rod cap bolt	4
A67	23253	Cap bolt nut	4
A68	25384	Connecting rod bearing shell (top half) standard	2
	23255	Connecting rod bearing shell (bottom half) standard	2
	25409	Connecting rod bearing shell (top half) .010 in.	2
	25410	Connecting rod bearing shell (top half) .020 in.	2
	25411	Connecting rod bearing shell (top half) .030 in.	2
	25413	Connecting rod bearing shell (top half) .040 in.	2
	25165	Connecting rod bearing shell (bottom half) .010 in.	2
	25166	Connecting rod bearing shell (bottom half) .020 in.	2
	25167	Connecting rod bearing shell (bottom half) .030 in.	2
	25168	Connecting rod bearing shell (bottom half) .040 in.	2

CRANKCASE

	06.0600	Crankcase complete with timing cover	1
	06.0601	Crankcase halves assembled—less timing cover	1
A108	06.0716	Timing cover	1
A106	06.0602	Crankcase (drive side)	1
A107	06.0717	Crankcase (timing side)	1
A133	06.0719	Timing cover gasket	1
A109	24251	Cylinder barrel stud	6
A110	T.2209	Cylinder barrel stud (stepped)	2
A111	18943	Cylinder barrel stud (front)	1
A134	24689	Timing cover screw—long	6
A135	E.6980	Timing cover screw—short	6
A113	24689	Sump screw	2
	T.2036	Camshaft bush (timing side)	1
	T.2037	Camshaft bush (driving side)	1
A114	048023	Oil seal (timing side shaft)	1
A115	048079	Oil seal circlip	1
A131	16945	Sump filter body	1
A132	16949	Filter body washer	1
	16948	Filter body circlip	1
	16946	Filter gauze	1
	16947	Filter gauze washer	1
	E.4591	Timing cover oilway plug	1
	16902	Oilway set pin	1
	T.1084	Set pin washer	1

CRANKCASE BREATHER

	19629	Rubber breather pipe—27 in.	1
A129	24300	Breather pipe elbow	1
	13786	Elbow washer	1
A130	24303	Elbow nut	1
	06.0576	Ferrule	1

PRESSURE RELEASE

A116/7	T.2059A	Pressure release body assembly	1
A118	T.2054	Release body piston	1
A119	T.2061	Release body piston spring	1
	15404	Packing shim	AR
A121	T.2060	Release body nut	1
A121a	T.2058	Release union washer	1
A120	T.2057	Release body nut washer	1

Plate No. Part No. Description Qty. Bin No. £ s. d.

CYLINDER BARREL AND HEAD

A36	06.0396	Cylinder barrel	1
A33	06.0988	Cylinder head complete with valve guides	1
A35	06.0400	Cylinder head gasket...	1
A112	T.2016	Cylinder barrel stud nut— $\frac{3}{8}$ in.	1
A42	24250	Cylinder barrel stud nut	6
	T.2210	Cylinder barrel stud nut— $\frac{5}{16}$ in.	2
	000011	Cylinder barrel stepped stud washer	2
	24252	Cylinder barrel stud washer...	6
A37	24249	Cylinder base gasket	1
A40	T.2161	Head to Barrel stud— $\frac{5}{16}$ in.	2
A41	24389	Head to Barrel stud	3
	24260	Head stud nut	2
	T.2017	Head stud nut— $\frac{5}{16}$ in.	2
	000011	Cylinder head stud washer	2
	24250	Head stud nut (rear)	1
A38	06.0401	Cylinder head bolt—long	4
A39	25313	Cylinder head bolt—short	1
	016213	Cylinder head bolt washer	5

VALVES, GUIDES AND SPRINGS

	25501	Inlet valve	2
A43	25500	Exhaust valve	2
A44	T.2011	Valve guide	4
A145	23392	Heat resisting washer	4
A48	T.2073	Valve spring cup	4
A45	22839	Valve spring (inner)	4
A46	22838	Valve spring (outer)	4
A47	T.186	Valve spring collar	4
A49	T.187	Valve cotter	Pairs 4

PISTONS AND RINGS (STANDARD)

A58	06.0381	Piston complete, left hand	1
A59	06.0382	Piston complete, right hand	1
A60	06.0952	Piston ring top (chrome)	2
A61	06.0953	Piston ring plain	2
A62	06.0954	Piston ring scraper	2
A63	06.0955	Gudgeon pin	2
A64	23276	Gudgeon pin circlip	4

PISTONS AND RINGS (OVERSIZE)

	06.0956	Piston complete left hand—+010 in.	1
	06.0957	Piston complete right hand—+010 in.	1
	06.0960	Piston ring top (chrome)—+010 in.	2
	06.0961	Piston ring plain—+010 in.	2
	06.0962	Piston ring scraper—+010 in.	2
	06.0963	Piston complete left hand—+020 in.	1
	06.0964	Piston complete right hand—+020 in.	1
	06.0967	Piston ring top (Chrome)—+020 in.	2
	06.0968	Piston ring plain—+020 in.	2
	06.0969	Piston ring scraper—+020 in.	2
	06.0970	Piston complete left hand—+030 in.	1
	06.0971	Piston complete right hand—+030 in.	1
	06.0974	Piston ring top (chrome)—+030 in.	2
	06.0975	Piston ring plain—+030 in.	2
	06.0976	Piston ring scraper—+030 in.	2
	06.0977	Piston complete left hand—+040 in.	1
	06.0978	Piston complete right hand—+040 in.	1
	06.0981	Piston ring top (chrome)—+040 in.	2
	06.0982	Piston ring plain—+040 in.	2
	06.0983	Piston ring scraper—+040 in.	2

MAIN BEARINGS

A76	17822	Ball bearing (timing side)	1
A77	T.2008	Sealing washer (timing side bearing)	1
A78	17824	Roller bearing (drive side)	1
A79	T.2187	Oil seal (drive side bearing)	1
	T.2187	Crankshaft bearing shim	AR

Plate No.	Part No.	Description	Qty.	Bin No.	£ s. d.
TIMING GEAR					
A80	T.2035	Half-time pinion	1		
	000572	Pinion key	1		
A81	T.2007	Pinion backing plate	1		
A82	22729	Camshaft	1		
A83	T.2078	Camshaft breather plate (stationary)	1		
A84	24301	Breather plate (rotary)	1		
A85	T.2108	Breather spring	1		
A86	20829	Camshaft sprocket	1		
A87	000572	Camshaft sprocket key	1		
A88	17211	Sprocket and rev. counter drive nut	1		
A141	17806	Camshaft chain (38 link—endless)	1		
A89	T.2217	Chain tension slipper	1		
A90	T.2218	Chain tensioner plate (thick)	1		
A91	T.2218A	Chain tensioner plate (thin)	1		
A92	T.247	Chain tensioner stud	2		
	E.3231	Chain tensioner stud nut	2		
	18202	Chain tensioner stud washer (fan disc ½ in.)	2		
A93	50008	Intermediate gear with sprockets	1		
A94	T.2026	Intermediate gear bush	1		
A95	T.2080	Intermediate gear washer	1		
A96	T.2021	Intermediate gear spindle	1		
	17823	Intermediate spindle circlip	1		
A97	18257	Distributor drive chain	1		
TAPPETS AND PUSH RODS					
A54/5	{ 22771	Tappets (left hand) ... <i>Same</i>	2		Sold in pairs
	{ 22772	Tappets (right hand) ...	2		Sold in pairs
A56	T.2142	Tappet locating plate	2		
A57	T.2143	Locating plate screw	2		
A50	25515	Inlet push rod complete—long	2		
A51	25516	Exhaust push rod complete—short	2		
	25495	Inlet push rod less ends—long	2		
	25497	Exhaust push rod less ends—short	2		
A52	T.2064	Push rod end (top)	4		
A53	T.2182	Push rod end (bottom)	4		
ROCKERS, COVERS, ETC.					
A12	25332	Rocker inlet (right hand)	1		
A13	25330	Rocker inlet (left hand)	1		
A14	25336	Rocker exhaust (right hand)	1		
A15	25334	Rocker exhaust (left hand)	1		
A16	T.2063	Rocker ball end	4		
A17	T.2074	Rocker adjuster	4		
A18	T.232	Rocker adjuster nut	4		
A19	25350	Rocker shaft	4		
A20	18102	Rocker shaft thrust washer	4		
A21	18103	Rocker shaft spring washer	4		
A22	T.2083	Rocker shaft joint washer	4		
A23	T.2238	Rocker shaft locking plate	4		
A24	T.2239	Rocker shaft retaining plate	4		
A25	T.2240	Rocker shaft plate joint washer	4		
A26	T.2256	Retaining plate set pin	8		
A4	T.2162	Rear cap domed nut	1		
A5	T.2082	Domed nut washer	1		
A6	18094	Rear rocker cap	1		
A7	T.2084	Rear cap sealing washer	1		
A4a	18033	Rear cap stud	1		
A27	000579	Rear cap dowel	1		
A8	T.2085	Front cap nut	4		
A9	18093	Front rocker cap	2		
A10	T.2088	Front cap sealing washer	2		
A11	T.2252	Front cap stud	4		
A3	25328	Rocker box oil feed pipe	1		
	01815	Rocker box oil feed pipe clip	1		
A1	18101	Rocker feed pipe banjo bolt	3		
A2	T.1084	Banjo bolt fibre washer	6		
OIL PUMP					
A98	25396	Oil pump complete	1		
A99	15511A	Oil pump spindle nut	1		
A100	24733	Worm gear wheel (on pump)	1		
	17697	Gear wheel key	1		

OIL PUMP—continued

A101	15515	Pump feed bush	1		
A102	T.272	Feed bush sealing washer	1		
A103	24732	Driving worm on mainshaft and pinion nut	1		
A104	E.4440	Pump-to-crankcase stud	2		
A105	E.3231	Pump stud nut	2		
	E.4590	Oil stop grub screw	1		
	21146	Pump feed bush shim... ..	2		

STAY

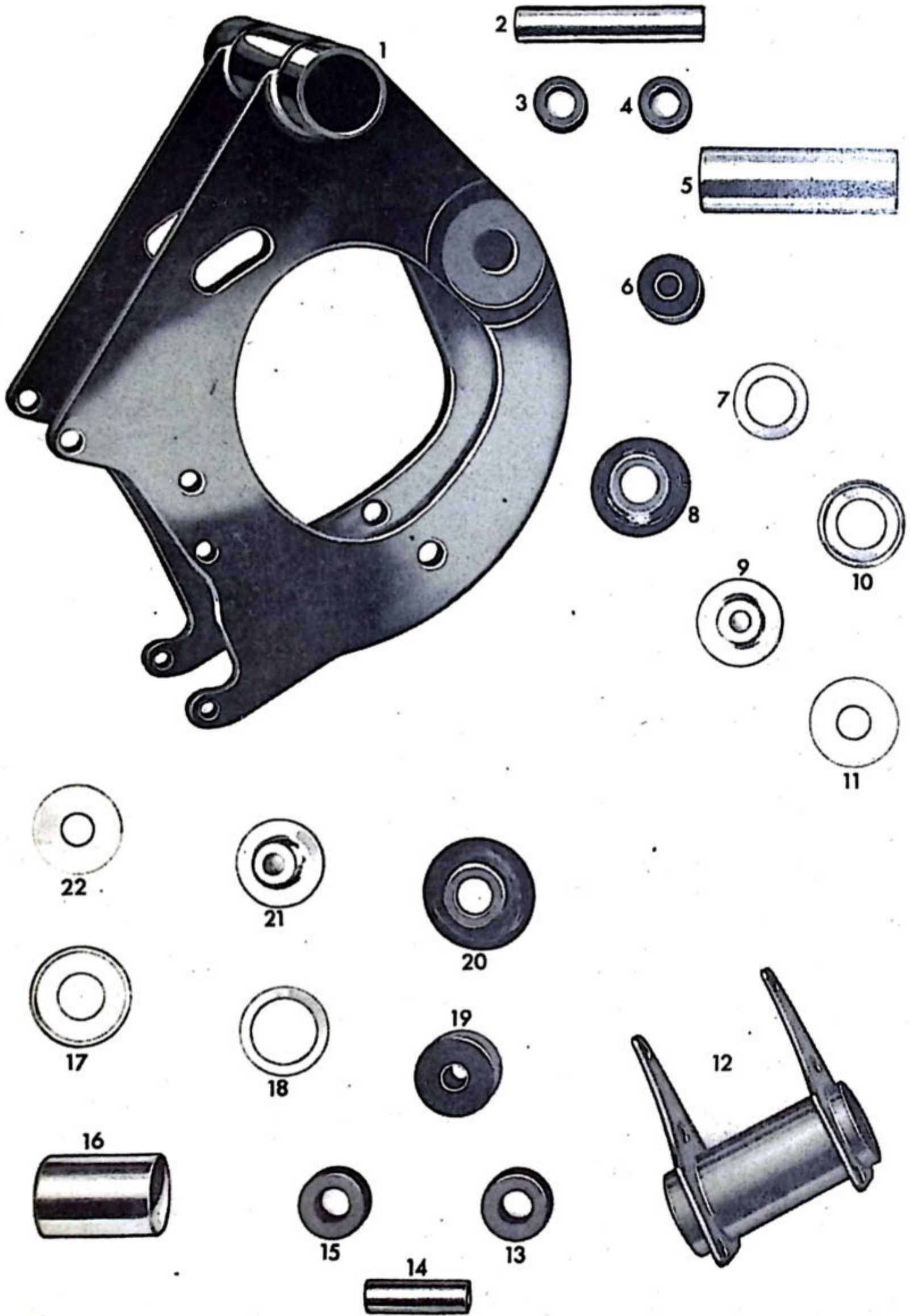
J22	06.0489	Engine steady stay	1		
J19	06.0490	Engine steady stay spacer	2		
J21	06.0622	Engine steady stay rubber	2		
	000192	Engine steady stay washer	6		
J18	06.0493	Engine steady stay stud	2		
J20	06.0348	Engine steady stay nut	6		
J15, A30	19437	Engine steady stay screw	3		
J16, A31	000011	Engine steady stay screw washer	3		
J23	06.0830	Engine steady side plate	2		
J17	06.0914	Engine steady spacer	1		

CRANKCASE BOLTS

	E.3214	Crankcase bottom stud	1		
	E.3231	Crankcase bottom stud nut	2		
A122	13870	Crankcase bolt	1		
A124	E.5456	Crankcase bolt washer	1		
A123	E.3223	Crankcase bolt nut	1		
A125	T.2013	Crankcase stud top rear	1		
A127	000010	Crankcase stud washer	1		
A126	E.3224A	Crankcase stud nut	1		
A128	19077	Crankcase stud top front	1		
	T.2221	Crankcase stud washer	1		
	E.3229	Crankcase stud nut	1		

ENGINE PLATES AND BOLTS

	06.0430	Crankcase—engine plate stud	2		
	014119	Stud washer	4		
	06.0029	Stud nut	4		
	22694	Crankcase—engine plate and frame stud (bottom)	1		
	06.0431	Crankcase—engine plate stud (top rear)	1		
	014119	Stud washer	2		
	06.0029	Stud nut	2		
	06.0431	Rear engine plate stud (top)	1		
	014119	Rear engine plate stud washer	2		
	06.0029	Rear engine plate stud nut	2		
	06.0431	Crankcase-engine plate stud (centre rear)... ..	1		
	014119	Stud washer	2		
	06.0029	Stud nut	2		
	06.0624	Crankcase-engine plate stud (bottom rear)	1		
	014117	Stud washer	2		
	06.0348	Stud nut	2		
B12	06.0418	Front engine mounting (assembled)	1		
B19	06.0421	Front engine mounting rubber	2		
B16	06.0771	Front engine mounting seating spacer	2		
B14	06.0427	Front engine mounting spacer	1		
B13, B15	06.0428	Front engine mounting spacer rubber	2		
B20	06.0773	Front engine mounting gaiter	2		
	06.0423	Front engine mounting bolt	1		
B21	06.0422	Front engine mounting bolt collar	2		
	000008	Front engine mounting bolt washer	2		
	06.0438	Front engine mounting bolt nut	1		
B17	06.0684	Front engine mounting tube cap	2		
B1	06.0424	Rear engine mounting assembled	1		
B6	06.0432	Rear engine mounting rubber	2		
B5	06.0772	Rear engine mounting seating spacer	1		
B2	06.0434	Rear engine mounting spacer assembled	1		
B8	06.0774	Rear engine mounting gaiter	2		
	06.0437	Rear engine mounting stud	1		
B9	06.0436	Rear engine mounting stud collar	2		
	000008	Rear engine mounting stud washer... ..	2		
B3, B9	06.0435	Rear engine mounting rubber spacer	2		
B10	06.0685	Rear engine mounting tube cap	2		



B ENGINE PLATE

Plate No.	Part No.	Description	Qty.	Bin No.	£ s. d.
ENGINE PLATES AND BOLTS—continued					
B7	06.0438	Rear engine mounting stud nut ...	2		
	06.0775	Engine mounting shim .005 in. rear	AR		
	06.0776	Engine mounting shim .010 in. rear	AR		
	06.0777	Engine mounting shim .020 in. rear	AR		
	06.0778	Engine mounting shim .030 in. rear	AR		
B11, B22	06.0578	Engine mounting shim (polyurethane) $\frac{1}{16}$ in. front-rear	4		
B18	06.0686	Engine mounting shim .005 in. front	AR		
	06.0687	Engine mounting shim .010 in. front	AR		
	06.0688	Engine mounting shim .020 in. front	AR		
	06.0689	Engine mounting shim .030 in. front	AR		

ENGINE SPROCKET

K29 A72	06.0383	Sprocket (standard fitting) 25T	1		
KB A75	E.3682	Engine sprocket key	R		

CARBURETTOR

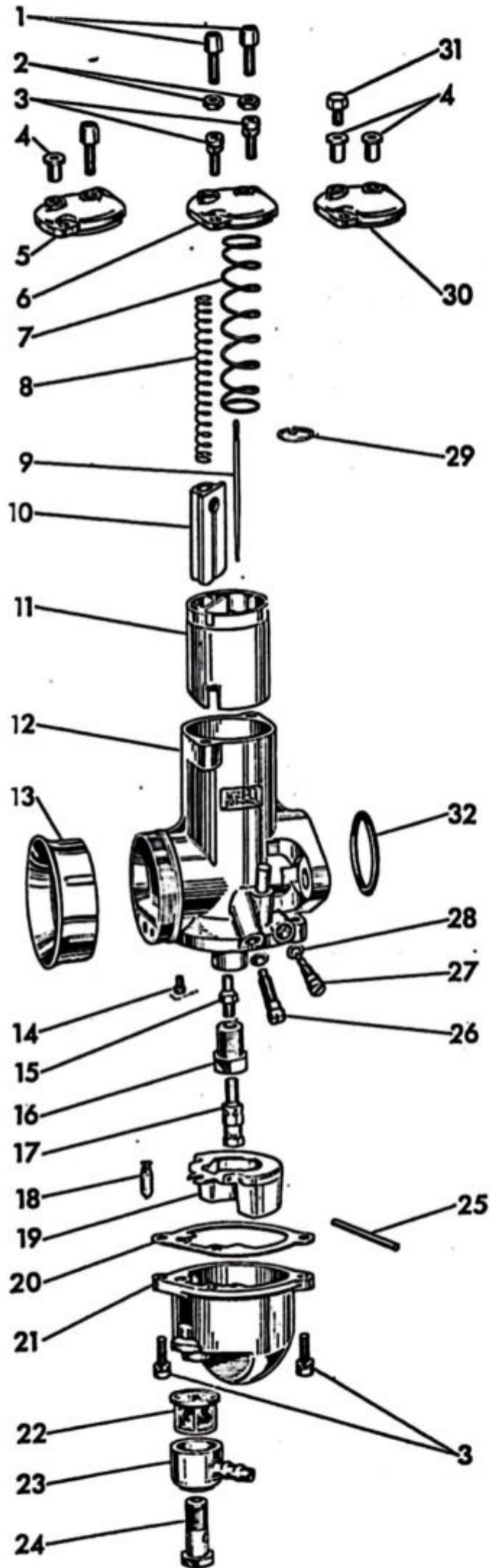
A28	23358	Carburettor spacer	2		
	06.0509	Carburettor manifold	2		
	06.0670	Balance union	2		
	11775	Balance union washer	2		
	23580	Balance pipe hose $5\frac{1}{2}$ in.	1		
A142	06.0577	Carburettor fixing stud	4		
A143	06.0348	Carburettor fixing stud nut	4		
A29	23412	Inlet manifold screw	4		
C32	033281	Carburettor flange "O" ring	2		
	06.0586	Carburettor complete (left hand) less cables 930/27	1		69 suppl
	06.0587	Carburettor complete (right hand) less cables 930/26	1		69 suppl
C12	L930-002	Body only (left hand)	1		69 suppl
C12	R930-001	Body only (right hand)	1		69 suppl
C21	622-050	Float chamber body	2		
C11	928-060	Throttle valve—size 3	2		
C10	928-062	Air valve	2		
C5	928-064	Mixing chamber top	2		
C7	622-131	Throttle valve spring	2		
C8	622-065	Air valve spring	2		
C29	622-067	Throttle needle clip	2		
C9	622-1243/1	Throttle needle	2		
C18	622-068	Float needle	2		
C19	622-069	Float	2		
C25	622-071	Float spindle	2		
C20	622-073	Float chamber washer	2		
C27	622-076	Pilot air adjuster screw	2		
C26	622-077	Throttle stop	2		
C24	622-078	Banjo bolt	2		
C15	622-122	Needle jet	2		
A16	622-128	Jet holder	2		
A17	376-100	Main jet	2		
C14	124-026	Pilot jet	2		
	622-101	Flange "O" ring	2		
	14-032	Tickler spring	2		
C3	622-086	Float chamber, mixing chamber top screw	4		
C23	376-097	Banjo union	2		
C28	622-082	"O" ring	4		
C2	5-077	Cable adjuster lock nut	4		
C1	4-035	Cable adjuster	4		
	622-089	Tickler stem	2		
	622-081	Tickler head	2		

EXHAUST PIPE

	06.0620	Exhaust pipe bare (left)	1		69 suppl
	06.0621	Exhaust pipe bare (right)	1		69 suppl
A34	18092	Exhaust pipe lock ring	2		
	T.2166	Exhaust pipe lock ring washer	2		

SILENCERS

	23768	Silencer left hand	1		
	23767	Silencer right hand	1		
	16255	Silencer clip	2		
	06.0727	Silencer clamping bolt	2		
	000011	Silencer clamping bolt washer	4		



Amal concentric carburettor

- 1 Cable adjuster
- 2 Cable-adjuster locknut
- 3 Float-chamber and mixing-chamber-top securing screws
- 4 Cable ferrules
- 5 Mixing-chamber top for adjuster and ferrule
- 6 Mixing-chamber top (standard)
- 7 Throttle-valve spring
- 8 Air-valve spring
- 9 Throttle needle
- 10 Air valve
- 11 Throttle valve
- 12 Carburettor body
- 13 Air-intake tube
- 14 Pilot jet
- 15 Needle jet
- 16 Jet holder
- 17 Main jet
- 18 Float needle
- 19 Float
- 20 Float-chamber washer
- 21 Float-chamber body
- 22 Filter
- 23 Banjo union
- 24 Banjo bolt
- 25 Float spindle
- 26 Throttle-stop adjusting screw
- 27 Pilot-air adjusting screw
- 28 'O' Rings
- 29 Needle clip
- 30 Mixing-chamber top for two ferrules
- 31 Plug for mixing-chamber top
- 32 'O' ring for flange sealing

C CARBURETTOR

Plate No.	Part No.	Description	Qty.	Bin No.	£ s. d.
-----------	----------	-------------	------	---------	---------

SILENCERS—continued

	06.0348	Silencer clamping bolt nut	2
J24	06.0563	Silencer stay left hand	2
J26	06.0564	Silencer stay right hand	2
	13053	Silencer stay bolt	4
	18202	Silencer stay bolt washer	4
J34	06.0863	Silencer bolt (bracket to frame)	2
J33	000010	Silencer bolt washer	4
J32	06.0029	Silencer bolt nut	2
J25 J31	06.0622	Silencer rubber mounting	4
J27 J30	000011	Silencer rubber mounting washer	8
J28 J29	06.0348	Silencer rubber mounting nut	8
	E.3231	Silencer stay bolt nut...	4

CHA

	06.0366	Front chain	1
	017376	Rear chain (19 teeth sprocket)	1
	12257	Contact breaker chain	1
	17806	Camshaft chain	1
	033156	Rear chain (21 teeth sprocket)	1

GEARBOX FIXING PARTS

	14367	Fixing bolt top	1
	030023	Fixing bolt top washer	1
	06.0420	Fixing bolt top nut	1
	06.0597	Pivot stud	1
	000008	Pivot stud washer	2
	06.0625	Pivot stud nut	2
	16997	Gearbox adjuster	1
	E.3231	Gearbox adjuster nut	2
	06.0595	Gearbox adjuster crosshead	1
	000010	Gearbox adjuster crosshead washer	1
	06.0029	Gearbox adjuster crosshead nut	1

GEARBOX SHELL

	06.0543	Gearbox complete (less clutch and kickstart)	1
D7	06.0808	Shell with two bushes and studs	1
D47	040467	Kickstart case (inner)...	1
D56	06.0740	Kickstart cover (outer)	1
D46	040030	Inner case gasket	1
D48	040055	Outer cover gasket	1
D15	040138	Drain plug	1
D14	000200	Drain plug washer	1
D87	040137	Oil level plug	1
D86	000203	Oil level plug washer...	1
D66	041104	Inspection cover	1
D67	040057	Inspection cover gasket	1
D65	000450	Inspection cover screw	2
	000577	Kickstart-case dowel	2
D13	040064	Kickstart-case stud	2
D8	000271	Kickstart-case stud	5
D89	000004	Kickstart-case stud nut	7
	000577	Kickstart-cover dowel	2
D68	000482	Kickstart-cover screw	5

GEARS AND SHAFTS

D11	06.0384	Gearbox mainshaft	1
D12	040025	Gearbox layshaft	1
D23	040422	Main gear with bushes	1
D39	040026	Mainshaft first gear	1
D35	040418	Mainshaft second gear	1
D24	040012	Mainshaft third gear	1
D40	040115	Layshaft first gear	1
D38	040019	Layshaft second gear	1
D37	040420	Layshaft third gear	1
D36	040284	Layshaft top gear pinion	1
	040062	Main driving gear bush	2
	040048	Mainshaft second gear bush	1
	040047	Layshaft third gear bush	1
	040046	Layshaft first gear bush	1

D GEARBOX

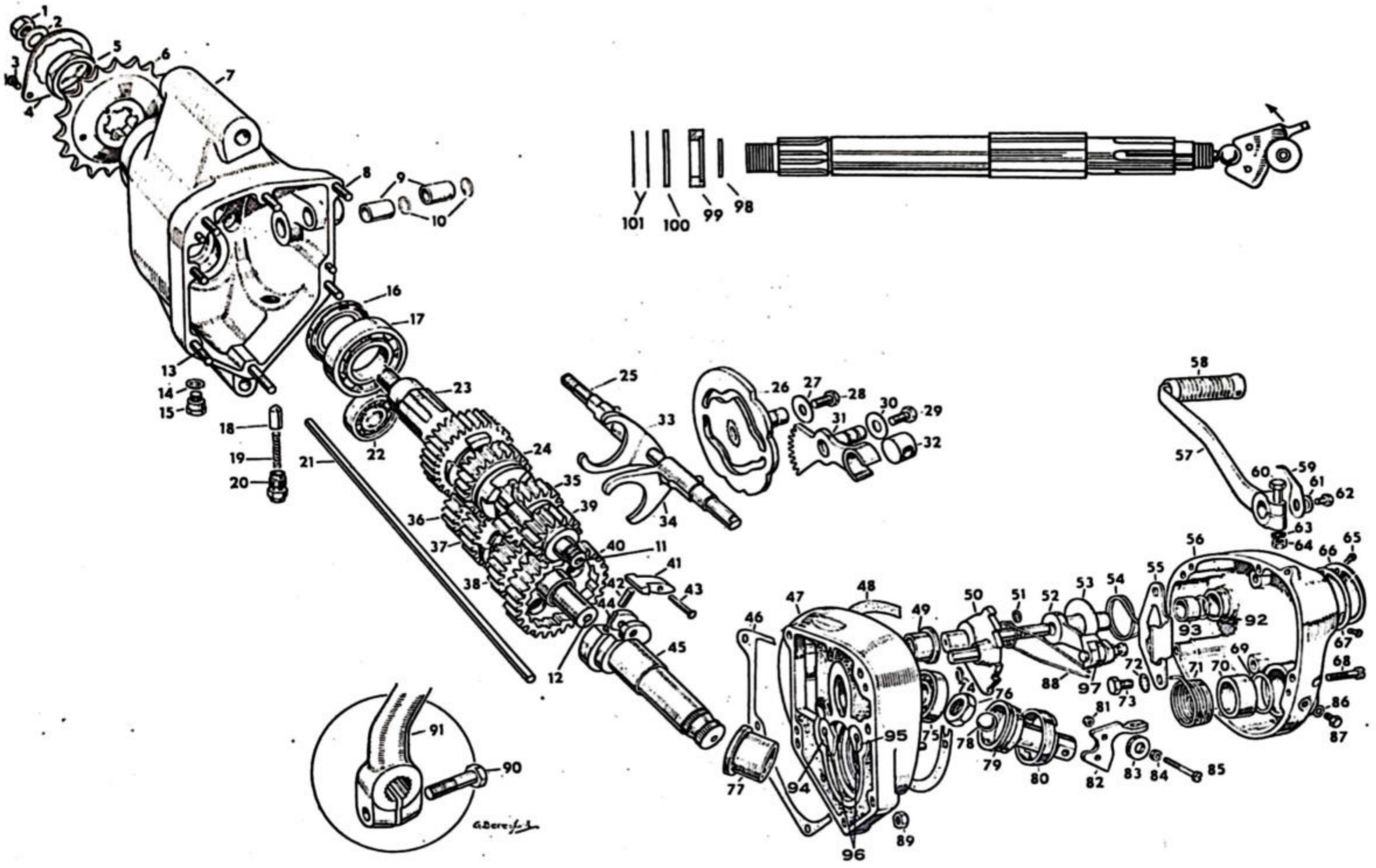


Plate No.	Part No.	Description	Qty.	Bin No.	£ s. d.
-----------	----------	-------------	------	---------	---------

GEARBOX BEARINGS AND SEALS

D17	040098	Main gear ball bearing	1		
D75	040099	Mainshaft ball bearing in kickstart case	1		
D22	040100	Layshaft ball bearing in shell	1		
D9	040056	Cam plate/quadrant bush in shell	2		
D16	040132	Main gear bearing oil seal	1		
D10	040129	Quadrant and cam plate "O" ring seal	2		
D77	040473	Kickstart spindle bush in kickstart case	1		
D49	040061	Footchange spindle bush in kickstart case...	1		
D70	040472	Kickstart spindle bush in cover	1		
D93	040063	Footchange spindle bush in cover	1		
D51	040079	Ratchet spindle "O" ring	1		
D92	040006	Footchange spindle and pawl carrier "O" ring	1		
D69	040005	Kickstart "O" ring	1		

GEARBOX SPROCKET

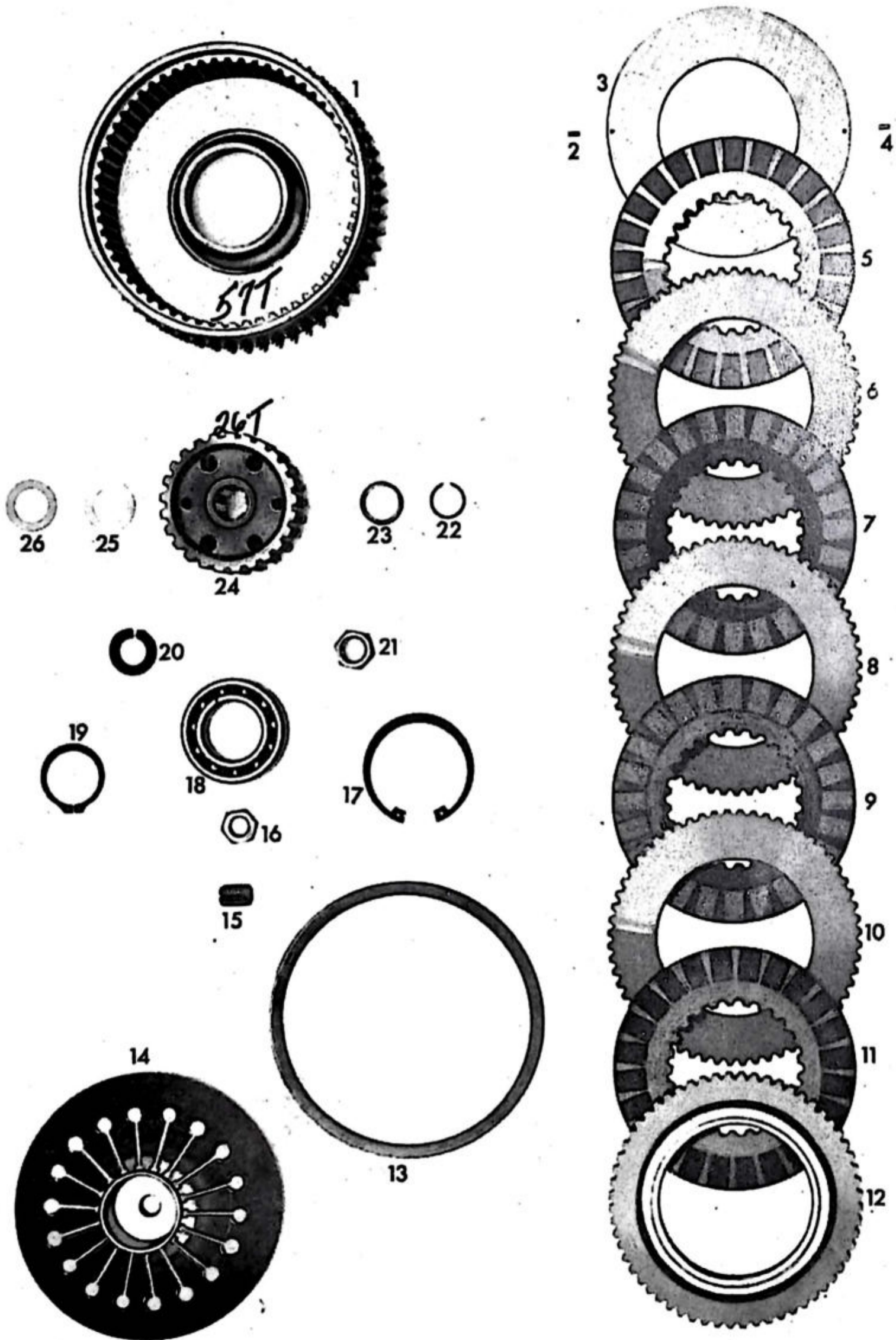
D6	040480	Gearbox sprocket (final drive) 19 teeth $\frac{3}{8}$ in. x $\frac{3}{8}$ in.	1		
D6	06.0721	Gearbox sprocket (final drive) 21 teeth $\frac{3}{8}$ in. x $\frac{3}{8}$ in.	1		
	040131	Gearbox sprocket spacer	1		
D5	040070	Gearbox sprocket nut	1		
D4	040076	Gearbox sprocket lock washer	1		
D3	000450	Gearbox sprocket lock washer screw	1		

GEAR CHANGE

D26	040018	Cam plate only	1		
	040015	Spindle only	1		
D31	040109	Quadrant assembly	1		
D27 D30	000174	Washer for cam plate and quadrant spindle	2		
D29 D28	040136	Screw for cam plate and quadrant spindle	2		
D34 D33	040022	Selector fork	2		
D25	040035	Selector fork shaft	1		
D50	040111	Ratchet gear assembly	1		
D32	040078	Knuckle pin roller	1		
D88	040038	Gear change pawl spring	1		
D52	040110	Pawl carrier assembly	1		
	040002	Pawl carrier only	1		
	040067	Pawl carrier pin	1		
D97	040024	Footchange pawl	1		
D74	040049	Circlip for pawl	1		
	040066	Ratchet spindle	1		
D54	040479	Gear change return spring	1		
D53	040135	Return spring washer	1		
D55	040052	Gear change stop plate	1		
D73	041400	Stop plate screw	2		
D72	014117	Stop plate screw spring washer	2		
D57	06.0929	Footchange pedal	1		
D58	040086	Footchange pedal rubber	1		
D60	040105	Footchange pedal bolt	1		
D63	045062	Footchange pedal bolt washer	1		
D64	000005	Footchange pedal bolt nut	1		
D59	040051	Gear indicator...	1		
D62	040137	Gear indicator screw	1		
D61	000012	Indicator screw washer	1		
D18	040034	Cam plate plunger	1		
D19	040442	Cam plate plunger spring	1		
D20	040036	Cam plate plunger bolt	1		

CLUTCH

E1	06.0741	Clutch complete	1		
E3	06.0742	Clutch sprocket <i>57T</i>	1		
E5 7 9 11	06.0744	Clutch back plate	1		
E6 8 10	06.0749	Clutch friction plate bonded	4		
E12	06.0746	Clutch plain plate	3		
E14	06.0745	Clutch pressure plate	1		
E15	06.0770	Clutch spring and clutch spring centre assembly	1		
E16	06.0308	Clutch adjuster	1		
E24	06.0005	Clutch adjuster nut	1		
E21 D1	06.0743	Clutch centre <i>26T</i>	1		
E20 D2	040373	Clutch retaining nut	1		
E22 D98	040374	Clutch retaining washer	1		
E23 D99	06.0752	Clutch locating circlip	1		
	06.0747	Clutch locating spacer	1		



E CLUTCH

Plate No.	Part No.	Description	Qty.	Bin No.	£ s. d.
-----------	----------	-------------	------	---------	---------

CLUTCH—continued

E25 D101	06.0894	Clutch shim .032 in.	AR
E26 D100	06.0895	Clutch shim .048 in.	AR
E18	06.0750	Clutch bearing	1
E19	06.0753	Clutch bearing circlip inner	1
E17	06.0754	Clutch bearing circlip outer	1
E13	06.0751	Clutch spring circlip	1
E2 E4	06.0756	Drive pin (back plate to sprocket)	2

CLUTCH OPERATING PARTS

D21	040084	Clutch rod	1
D82	06.0715	Operating lever	1
D79	040059	Operating lever body	1
	040003	Operating body locking ring	1
	040031	Operating ball	1
	040060	Operating roller	1
	040065	Roller sleeve	1
	000457	Roller screw	1
D81	011846	Roller screw nut	1

XI

D45		Kickstart axle with bush	1
	040046	Kickstart axle bush	1
D41	040033	Axle pawl	1
D43	040033	Pawl pin	1
D44	040044	Pawl spring	1
D42	040069	Pawl plunger	1
D94	040042	Axle stop	1
D95	040071	Axle cam	1
D96	040041	Axle cam rivet	1
D96	040474	Axle stop rivet	1
D76	040023	Mainshaft nut kickstart end	1
	06.0598	Kickstart crank assembly—folding type	1
D91	06.0488	Kickstart crank only—folding type	1
	033218	Kickstart pedal rubber	1
	042934	Folding crank pedal pin	1
	06.0550	Pedal pin domed nut	1
	040433	Pedal pin spring washer	1
	000010	Pedal pin plain washer	1
D90	06.0599	Crank-to-axle clamping bolt	1
D71	040475	Kickstart crank return spring	1

FRAME

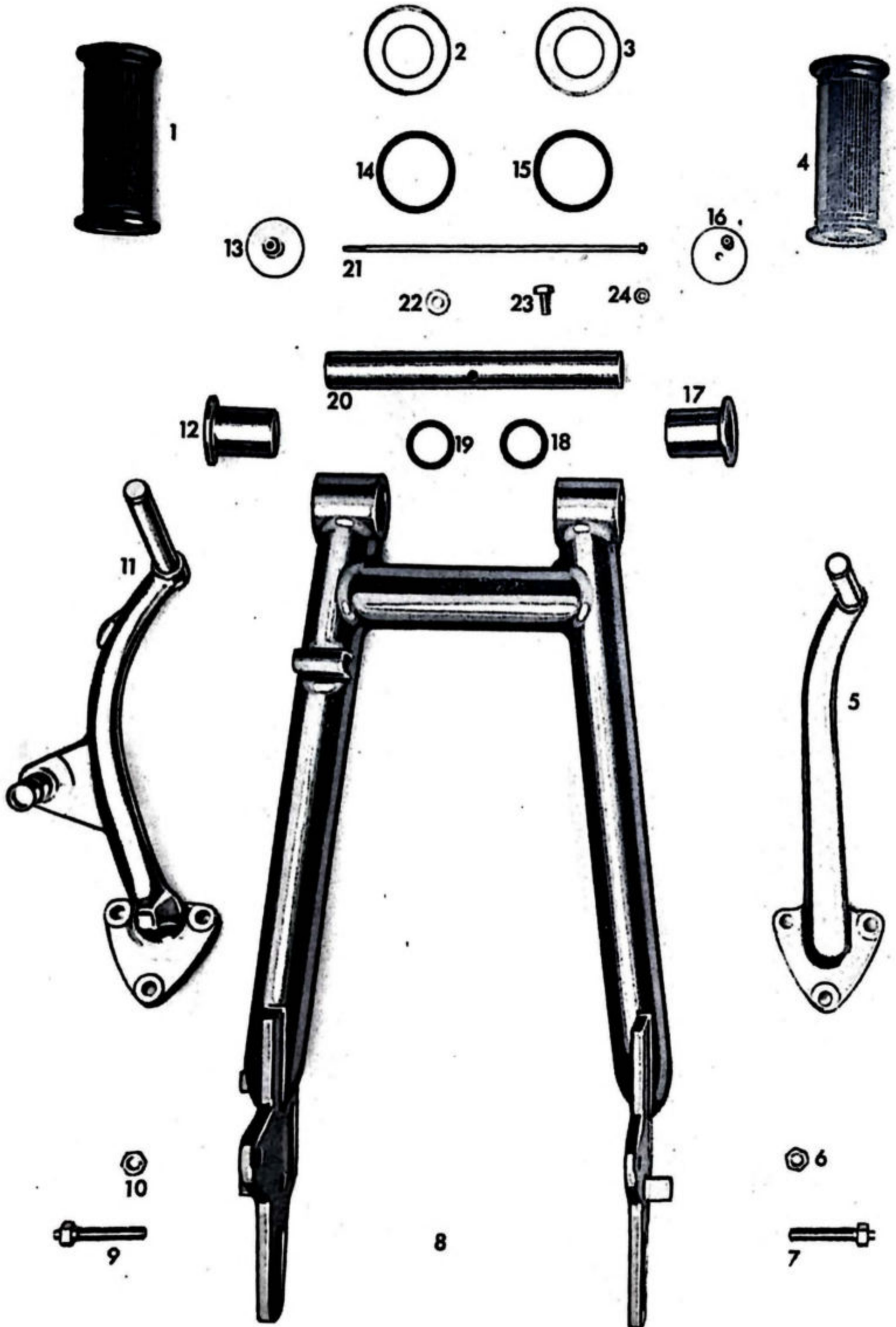
06.0406	Frame	1
---------	-----------	-----	-----	-----	---

SWINGING ARM

F8	06.0441	Swinging arm only	1
F2 F3	06.0871	Bearing cap washer	1
	06.0051	Grease nipple	1
F23	06.0327	Oil screw plug	1
F22	000012	Oil screw plug washer	1
F13	06.0869	Bearing end cap left hand	1
F16	06.0868	Bearing end cap right hand	1
F18 F19	06.0448	Bearing end cap "O" ring	2
F21	06.0873	Bearing cap rod assembled	1
F12 F17	06.0447	Swinging arm bearing	2
F20	06.0453	Swinging arm spindle	1
	06.0446	Swinging arm bearing cover	2
F14 F15	06.0449	Swinging arm bearing "O" ring (large)	2
F7 F9	06.0650	Rear chain adjuster	2
F6 F10	06.0651	Rear chain adjuster nut	2

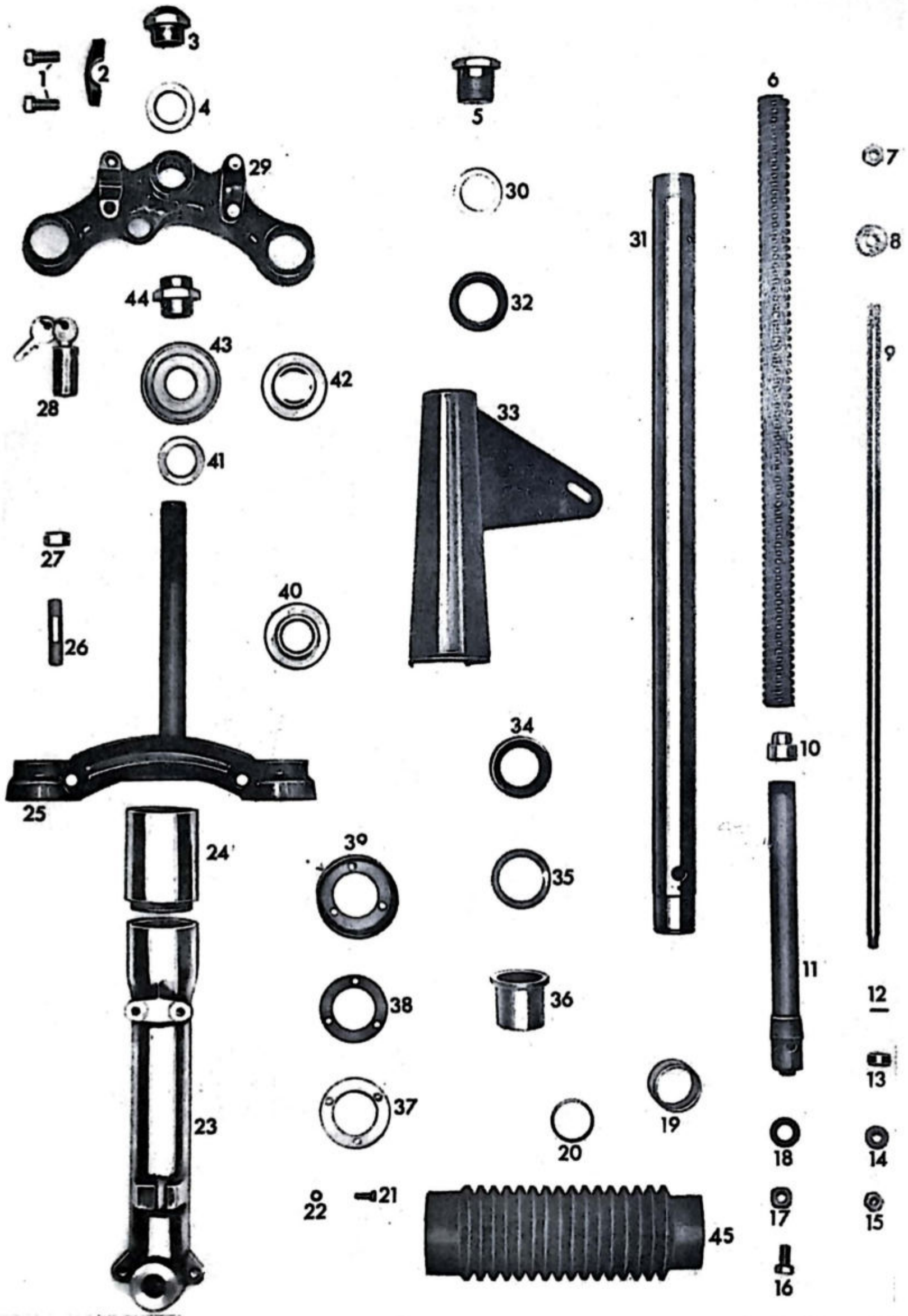
REAR SUSPENSION UNITS

06.0461	Rear suspension unit	2
06.0465	Rear suspension unit top bolt	4
000010	Rear suspension unit top bolt washer	2
06.0029	Rear suspension unit top bolt nut	2
06.0463	Rear suspension unit bottom bolt	2
23298	Rear suspension unit bottom bolt washer	2
22636	Rear suspension unit bottom bolt washer	2
06.0029	Rear suspension unit bottom bolt nut	2



F SWINGING ARM

Plate No.	Part No.	Description	Qty.	Bin No.	£ s. d.
CENTRE STAND					
	06.0589	Centre stand ...	1		
	06.0629	Centre stand bush ...	2		
	000009	Centre stand washer ...	4		
	06.0630	Centre stand bolt ...	2		
	06.0631	Centre stand bolt nut ...	2		
	06.0588	Centre stand spring ...	1		
PROP STAND					
	06.0766	Prop stand leg ...	1		
	033278	Prop stand pivot ...	1		
	033279	Prop stand pivot circlip ...	2		
	06.0765	Prop stand clip lug ...	1		
	06.0779	Prop stand clip lug stud ...	1		
	06.0348	Prop stand clip lug stud nut ...	2		
	000011	Prop stand clip lug stud washer ...	2		
	06.0768	Prop stand spring ...	1		
TRESTS					
	06.0944	Footrest support plate left hand ...	1		
	06.0945	Footrest support plate right hand ...	1		
	06.0471	Footrest support spacer ...	4		
	06.0472	Footrest support spacer ...	2		
	06.0858	Footrest support bolt ...	2		
	000010	Footrest support bolt washer ...	4		
	06.0029	Footrest support bolt nut ...	2		
F11	06.0475	Footrest left hand ...	1		
F5	06.0473	Footrest right hand ...	1		
	06.0626	Footrest fixing stud ...	6		
	000011	Footrest fixing stud washer ...	6		
	06.0348	Footrest fixing stud nut ...	6		
F1, F4	19983	Footrest rubber ...	2		
	19984	Footrest spindle ...	1		
FRONT FORKS					
	06.0990	Fork complete ...	1		
G29	06.0335	Handlebar lug ...	1		
G2	19021A	Handlebar lug clip ...	2		
G1	06.0333	Handlebar lug clip allen screw ...	4		
G25	06.0344	Fork crown ...	1		
	030517	Transfer "Made in England" ...	1		
G42	030098	Handlebar lug ball race ...	1		
	030097	Frame ball race top ...	1		
	030097	Frame ball race bottom ...	1		
G40	030098	Fork crown ball race ...	1		
	000021	Steering ball ...	36		
G41	17429	Ball race washer ...	2		
G43	15628	Ball race dust cover ...	1		
G44	06.0341	Head nut ...	1		
G4	15627	Head nut washer ...	1		
G3	06.0340	Head nut top ...	1		
G26	06.0336	Fork crown pinch stud ...	2		
G27	06.0337	Fork crown pinch stud nut ...	2		
G5	06.0345	Inner tube top bolt ...	2		
G30	T.320	Inner tube top bolt washer ...	2		
G33	031544	Top cover tube left hand ...	1		
	031545	Top cover tube right hand ...	1		
G32	T.597	Top cover tube spigot rubber ...	2		
	25117	"Roadholder" transfer ...	2		
G39	030531	Bottom cover tube ...	2		
G38	06.0760	Bottom cover tube seal ...	2		
G37	06.0762	Bottom cover tube washer ...	2		
G21	000451	Bottom cover tube screw ...	6		
G22	000190	Bottom cover screw washer ...	6		
G24	06.0350	Slider extension ...	2		
	06.0351	Slider left hand ...	1		
G23	06.0352	Slider right hand ...	1		
	06.0354	Slider drain plug ...	2		
	000203	Slider drain plug washer ...	2		
	06.0353	Slider pinch stud ...	1		
	06.0348	Slider pinch stud nut ...	1		
G11	06.0299	Damper tube ...	2		



G FORKS

Plate No.	Part No.	Description	Qty.	Bin No.	£ s. d.
-----------	----------	-------------	------	---------	---------

FRONT FORKS—continued

G16	06.0359	Damper tube anchor bolt	2		
G17	T.1009	Damper tube anchor bolt washer	2		
G18	T.814	Damper tube anchor bolt washer	2		
G10	06.0360	Damper tube cap	2		
G9	06.0346	Damper rod	2		
G7	06.0347	Damper rod lock nut... ..	2		
G13	14118B	Damper valve	2		
G12	14119	Damper valve stop pin	2		
G14	030584	Damper valve seat	2		
G15	06.0348	Damper valve seat nut	2		
G31	06.0302	Main fork tube	2		
G34	17713	Main fork tube oil seal	2		
G35	T.1049	Main fork tube oil seal washer	2		
G36	T.1055	Main fork tube guide bush	2		
G19	T.1048	Main fork tube bush bottom	2		
G20	14298	Main fork tube bush circlip	2		
G6	18813	Fork spring	2		
G8	25003	Fork spring locating bush	2		
G45	020463	Fork gaiter	2		
G28	030175	Steering lock (with 2 keys)	1		

HANDLEBAR

H2	06.0729	Handlebar (Export)	1		
	06.0784	Handlebar (Home)	1		

FRONT MUDGUARD

06.0584	Front mudguard (Home)	1		
06.0583	Front mudguard (Export)	1		
06.0356	Front mudguard bridge stud (Slider)	4		
000012	Front mudguard bridge stud washer	4		
06.0355	Front mudguard bridge stud nut	4		
06.0619	Front mudguard stay, front	1		
06.0619	Front mudguard stay, rear	1		
06.0357	Front mudguard stay bolt-slider	4		
000011	Front mudguard stay washer	4		
06.0677	Front mudguard stay bolt to mudguard	5		
000039	Front mudguard stay bolt washer	5		
000190	Front mudguard stay bolt washer	5		
06.0678	Front mudguard stay bolt nut	5		

REAR MUDGUARD

06.0507	Rear mudguard	1		
000012	Rear mudguard fixing bolt washer	1		
06.0403	Rear mudguard fixing bolt nut	1		
06.0652	Rear mudguard-horn bracket bolt	1		
06.0862	Rear mudguard-horn bracket bolt nut	1		

FRONT NUMBER PLATE

011835	Front number plate	1		
18755	Front number plate bead	1		
011836	Front number plate stanchion	2		
000012	Front number plate stanchion washer	2		
000005	Front number plate stanchion nut	2		
000861	Front number plate screw	2		

REAR NUMBER PLATE

06.0646	Rear number plate	1		
06.0327	Rear number plate bracket bolt	1		
000012	Rear number plate bracket bolt washer	2		
033057	Rear number plate bracket bolt nut	1		
06.0644	Number plate fairing	1		
021503	Side reflector (rear)—Red	2		
034013	Side reflector (front)—Amber (Export only)	2		
06.0890	Side reflector (front) bracket (Export only)	2		
06.0643	Number plate fairing spacer... ..	2		
06.0909	Rear lamp screw	2		

Plate No.	Part No.	Description	Qty.	Bin No.	£	s.	d.
HAND BRAKE AND AIR LEVER							
H4	06.0690	Front brake and air lever assembly...	1
H5	022715	Front brake lever only	1
H26	06.0061	Front brake lever body	1
H22	18-087	Lever pivot screw	1
H21	18-053	Pivot screw nut	1
H9	12-556	Air lever only	1
H7	12-594	Air lever body...	1
H28	12-607	Air lever central-body <i>Screw</i>	1
H29	12-606	Air lever cap	1
H8	12-033	Air lever spring washer	1
H25	11-013	Body clamping screw	1
H27	11-014	Body clamping screw	1
	023707	Brake lever trunnion	1
H15	06.0063	Adjuster for cable <i>use 18/1065</i>	1
H17	06.0064	Nut for adjuster <i>use 18/1066</i>	1
CLUTCH LEVER							
H24	06.0691	Clutch lever assembly	1
H23	022714	Lever only	1
H18	06.0062	Body only	1
H22	18-087	Lever pivot screw	1
H21	18-053	Pivot screw nut	1
H19	12-595	Lever body clamp	1
H20, H16	11-014	Body clamp screw	2
	023707	Clutch lever trunnion	1
H15	06.0063	Adjuster for cable <i>✓</i>	1
H17	06.0064	Nut for adjuster <i>✓</i>	1
TWIST GRIP							
H3	016658	Twist grip assembled	1
H14	16-060	Body (top half)	1
H13	16-061	Body (bottom half)	1
H10	16-091	Rotor only	1
H12	11-013	Clamping screw—long	1
H11	11-014	Clamping screw—short	1
	16-008	Friction spring	1
	16-009	Friction spring screw	1
	16-010	Screw lock nut	1
H10	16-070	Plastic rotor grip	1
H1	16-069	Plastic dummy grip	1
H1	023740	Dummy grip	1
H30	026476	Slotted abutment	1
BRAKE CABLE							
	06.0924	Front brake cable assembled (Home)	1
	06.0918	Front brake cable assembled (Export)	1
O13	06.0482	Rear brake cable assembled	1
CLUTCH CABLE							
	06.0930	Clutch cable assembled (Home)	1
	06.0919	Clutch cable assembled (Export)	1
AIR CABLE							
	031614	Air cable—handlebar end (Home)	1
	06.0908	Air cable—handlebar end (Export)	1
	033144	Air cable—carburettor end	2
	018956	Midway adjuster	1
	019824	Junction box for control cables	1
THROTTLE CABLE							
	06.0923	Throttle cable—handlebar end (Home)	1
	031612	Throttle cable—handlebar end (Export)	1
	033145	Throttle cable carburettor end	2
	018956	Midway adjuster	1
	019824	Junction box for control cables	1



H CONTROL LEVERS

Plate No.	Part No.	Description	Qty.	Bin No.	£ s. d.
-----------	----------	-------------	------	---------	---------

OIL PIPES

J37	06.0638	Junction block and oil pipes...	1		
J35	032044	Junction block gasket	1		
	030448	Junction block bolt	1		
J3	000950	Oil feed hose—3½ in.	1		
	000950	Oil return hose—4½ in.	1		
J2, J4	023376	Oil feed and return hose ferrule	4		
	13786	Oil return pipe adaptor washer	2		
	21287	Junction block dowel...	1		
J38	06.0592	Oil feed pipe filter assembled	1		
J39	E.6640	Oil feed pipe filter washer	1		
J1	06.0394	Rocker box oil feed pipe	1		
J36, J40	18101	Rocker box oil feed pipe banjo bolt	3		
J6	T.1084	Rocker box oil feed pipe banjo bolt washer	6		
J5	018155	Rocker box oil feed pipe clip	1		

TWIN SEAT

	06.0501	Dual seat	1		
	06.0503	Dual seat (Orange)	1		
	0610505	Dual seat (White)	1		
	06.0695	Dual seat fixing nut pin	2		
O16	06.0647	Dual seat fixing nut	2		
	E.6742	Dual seat bracket support washer	4		
	21852	Dual seat rubber button	4		

PETROL TANK

	06.0496	Petrol tank	1		
	009195	Reserve transfer	1		
	06.0681	Petrol tank filler cap	1		
	06.0882	Petrol tank filler cap pin	1		
J9	033155	Petrol tap (main)	1		
J41	031746	Petrol tap (reserve)	1		
	000183	Petrol tap washer	2		
J7	000954	Petrol pipe left hand 4 in.	2		
	19402	Petrol pipe right hand 3½ in.	2		
J8	021844	Petrol pipe "T" piece	2		
J44	19402	Petrol pipe to "T" piece 7½ in.	1		
J10, J42	06.0575	Petrol pipe ferrule	10		
	22017	Petrol pipe nipple	2		
	000513	Petrol pipe union nut	2		
	06.0498	Petrol tank mounting rubber strap...	1		
	06.0648	Petrol tank bolt rubber	10		
	06.0797	Petrol tank bolt nut	2		
	027138	Petrol tank support rubber	1		
	014999	Petrol tank bolt washer	2		
	06.0499	Petrol tank badge	2		
	06.0500	Petrol tank badge adhesive	2		

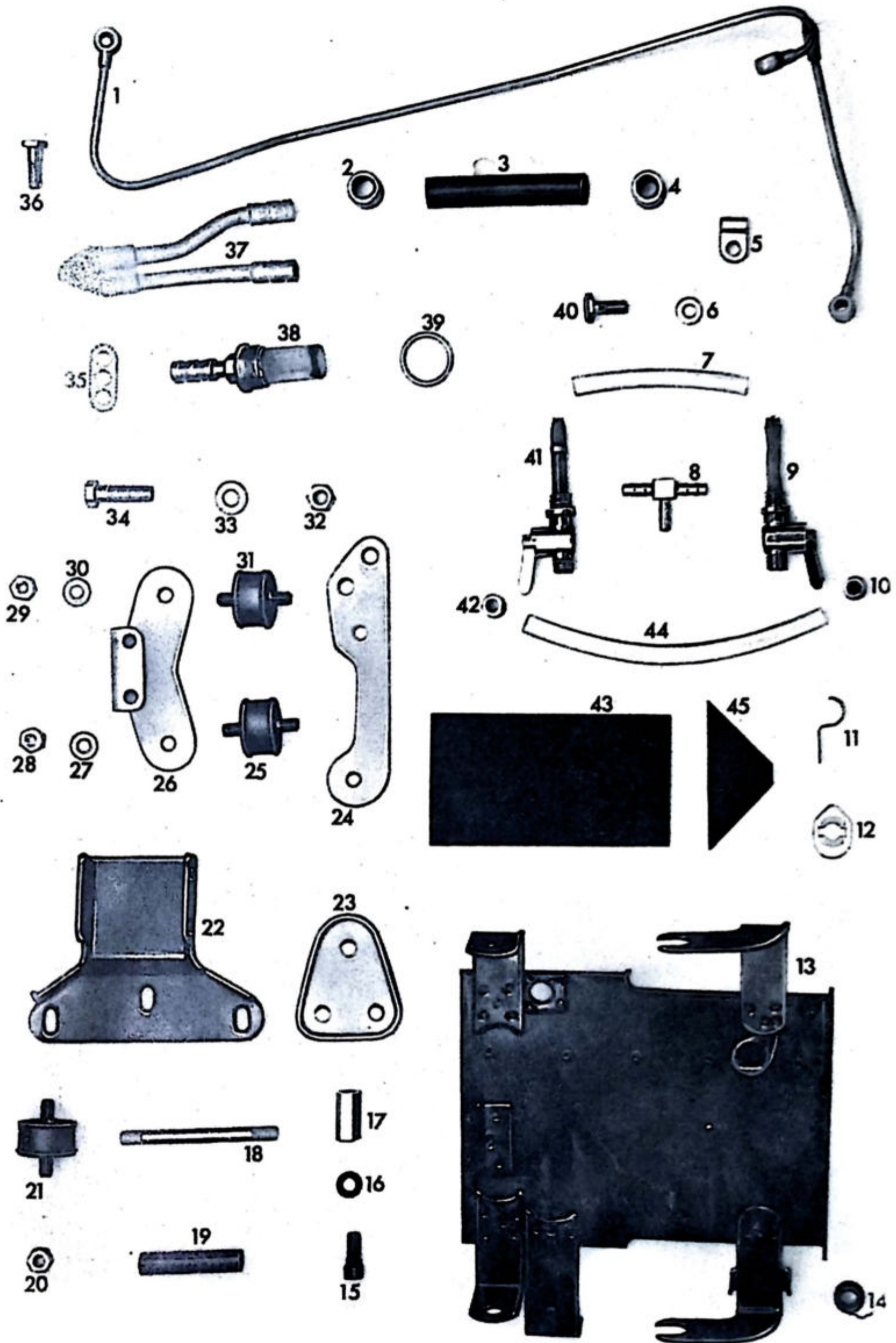
COLOUR MUST BE QUOTED WHEN ORDERING PETROL TANKS

OIL TANK

N2	06.0511	Oil tank only	1		
N1	025352	Filler cap	1		
N16	06.0668	Oil tank drain plug	1		
N15	000200	Oil tank drain plug washer	1		
N5	000953	Oil level indicator hose—2½ in.	1		
N4, N6	06.0576	Oil level indicator hose ferrule	2		
	06.0935	Oil tank filling transfer	1		
N3	06.0636	Oil tank rubber mounting (stud)	2		
	033057	Oil tank rubber mounting nut	4		
	000012	Oil tank rubber mounting washer	4		
	06.0910	Bolt spacer	1		
N14	06.0811	Oil tank mounting rubber grommet	1		
	19629	Oil tank breather pipe, tank to air filter 7½ in.	1		

CHAIN OILER

	06.0885	Chain oiler regulator	1		
O17	06.0881	Chain oiler bracket	1		
	06.0460	Chain oiler bracket spacer	2		
	23580	Chain oiler hose, tank to regulator 14 in.	1		
O19	23580	Chain oiler hose regulator to bracket 12 in.	1		
O22	23580	Chain oiler hose bracket to chain 5 in.	1		



J OIL PIPES

Plate No.	Part No.	Description	Qty.	Bin No.	£ s. d.
-----------	----------	-------------	------	---------	---------

CHAIN OILER—continued

	025392	Beading in chainguard 1 in. ...	1		
O25 O27	06.0884	Chain oiler regulator end assembled	2		
O26	06.0887	Chain oiler regulator felt ...	1		
O28	000897	Chain oiler regulator hose 3 in.	1		
O23 O24	06.0886	Chain oiler regulator hose clip	2		
O29	06.0920	Chain oiler hose clip (1/2 in. dia.)	4		
O20	06.0921	Chain oiler hose clip (3/8 in. dia.)	1		

PILLION FOOTRESTS

	06.0616	Pillion footrests bare ...	2		
	06.0617	Pillion footrest bolt ...	2		
	033057	Pillion footrest bolt nut	2		
	042569	Pillion footrest rubber	2		
	06.0487	Pillion footrest lug ...	2		
	06.0618	Pillion footrest lug bolt	2		
	000010	Pillion footrest lug bolt washer	2		

FRONT CHAINCASE

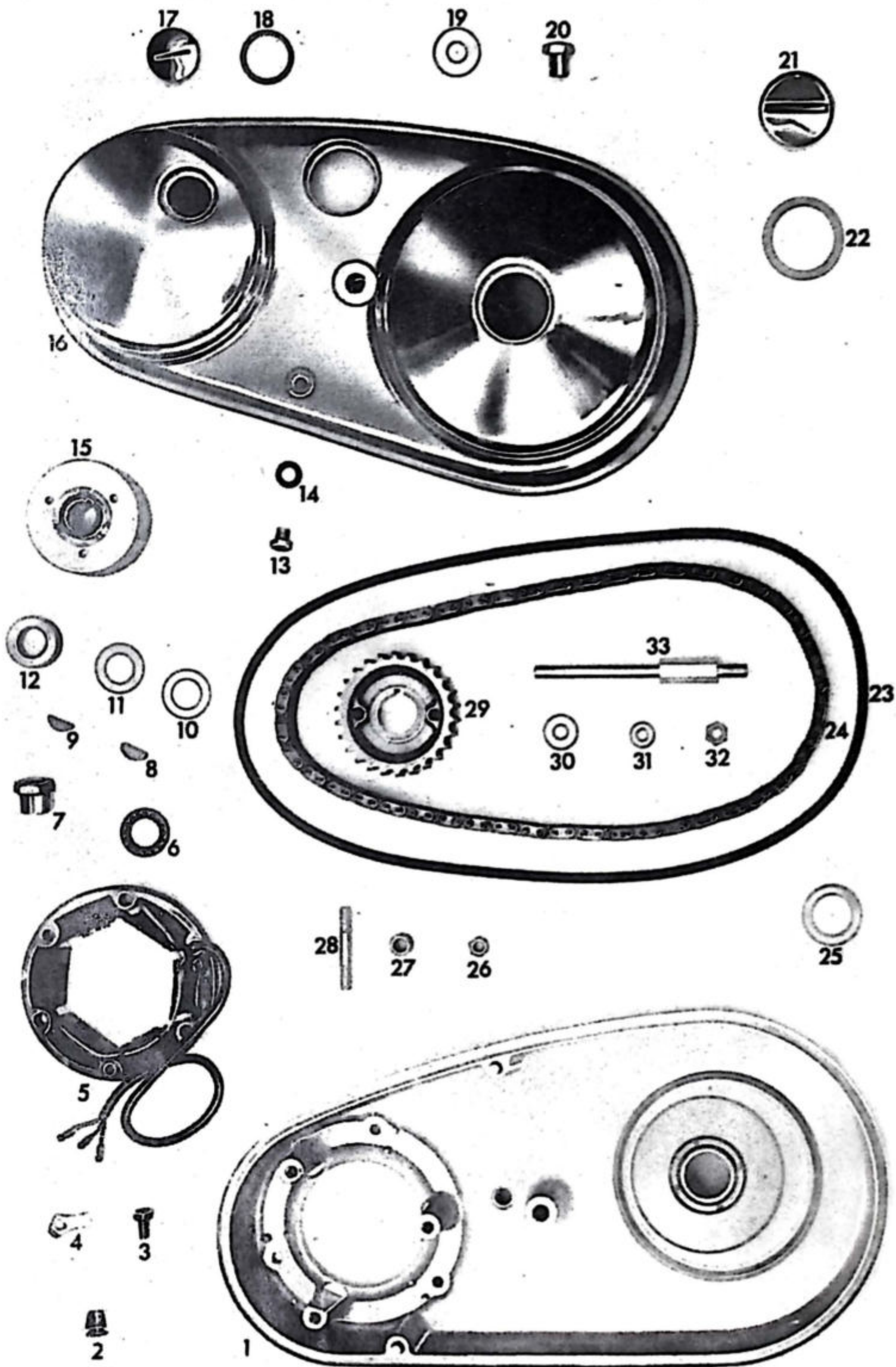
	06.0711	Chaincase-crankcase gasket ...	1		
	06.0628	Chaincase assembled ...	1		
K1	06.0374	Chaincase inner half ...	1		
K25	012443	Felt washer ...	2		
K3	06.0375	Chaincase fixing bolt ...	3		
K19	06.0368	Chaincase centre bolt washer	1		
K20	06.0367	Chaincase centre bolt nut (chromed)	1		
K33	06.0376	Chaincase centre stud	1		
K31	000010	Chaincase centre stud washer	2		
K32	06.0397	Chaincase centre stud nut ...	1		
K30	06.0399	Chaincase centre stud shim ...	AR		
K16	06.0370	Chaincase outer half ...	1		
K23	06.0398	Chaincase band rubber	1		
K17	06.0659	Chaincase inspection cap (ignition timing)...	1		
K21	06.0388	Chaincase inspection cap ...	2		
K22	042025	Chaincase inspection cap gasket	2		
K18	20842	Chaincase inspection cap gasket	1		
	06.0662	Ignition indicator plate ...	1		
K13	06.0389	Chaincase oil level bolt ...	1		
K14	000200	Chaincase oil level bolt washer	1		
	06.0663	Ignition indicator plate fixing screw	2		
K4	06.0395	Chaincase fixing plate ...	3		

REAR CHAINGUARD

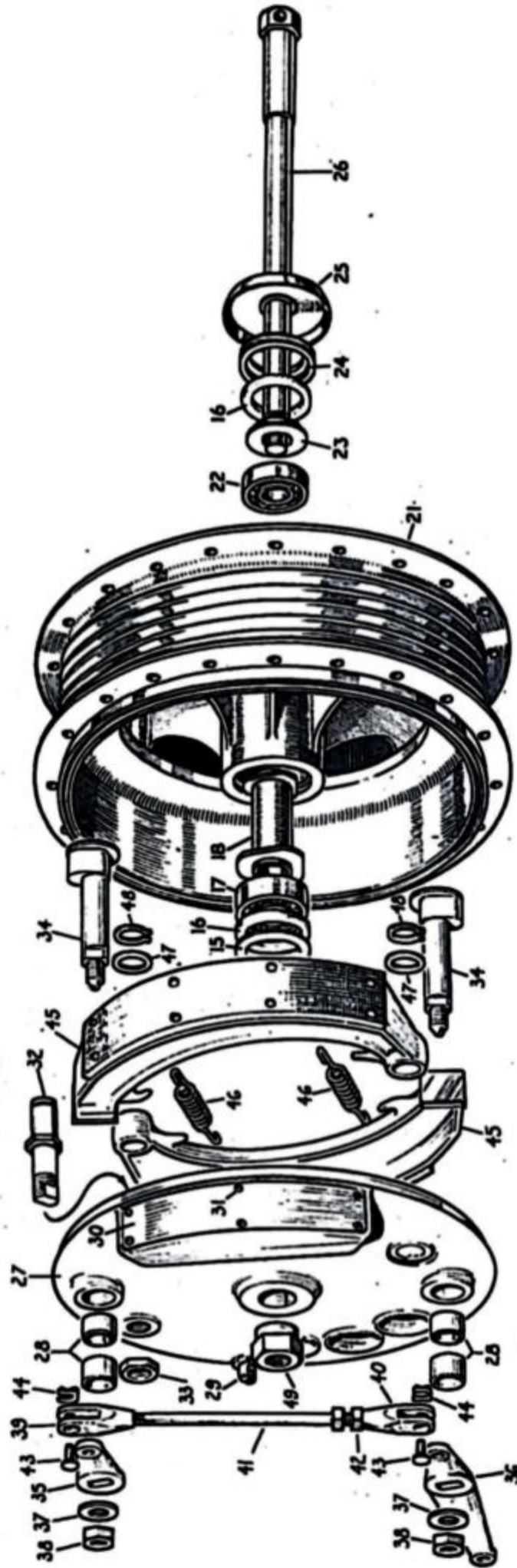
O1	06.0456	Rear chainguard ...	1		
O5	06.0459	Rear chainguard front bolt ...	1		
O6	000012	Rear chainguard front bolt washer ...	2		
O7	033057	Rear chainguard front bolt nut	1		
O12	06.0843	Rear chainguard extension ...	1		
O10	06.0459	Rear chainguard rear bolt ...	1		
O9	000012	Rear chainguard rear bolt washer ...	2		
O8	033057	Rear chainguard rear bolt nut	1		

BATTERY BOX AND CARRIER

	033057	Battery carrier bolt nut ...	1		
	06.0327	Battery earth bolt ...	1		
	000012	Battery earth bolt washer ...	1		
J43	06.0533	Battery carrier rubber pad ...	1		
J45	06.0867	Battery carrier rubber side pad	2		
	06.0533	Battery carrier rubber rear pad	1		
	06.0568	Battery strap assembled ...	1		
J13	06.0615	Battery tray assembled ...	1		
	06.0858	Battery tray bolt (to frame) ...	2		
	000010	Battery tray bolt washer ...	4		
	06.0029	Battery tray bolt nut ...	2		
J11	06.0927	Chain oiler clip (battery tray)	2		
	06.0677	Chain oiler and harness clip bolt ...	1		
	000039	Chain oiler and harness clip washer	2		
	06.0678	Chain oiler and harness clip nut ...	1		



K CHAINCASE



L FRONT WHEEL

Plate No.	Part No.	Description	Qty.	Bin No.	£ s. d.
FRONT WHEEL					
	06.0984	Wheel complete—less tyre and tube	1		
	06.0985	Wheel bare less fittings	1		
	18350	Rim only WM2-19	1		
	20063	Spoke ...	20		
	20061	Spoke ...	20		
	021693	Spoke nipple ...	40		
L21	06.0364	Front hub shell only	1		
L17	17721	Bearing right hand	1		
L22	040100	Bearing left hand	1		
	16783	Bearing spacer...	1		
L24	06.0363	Bearing lock ring	1		
L16	E.6885	Bearing felt washer	2		
L23	E.6869	Bearing felt washer retaining ring	1		
L15	19719	Oil retaining washer	1		
L25	18551	Dust cover	1		
L18	19646	Bearing spacer assembled	1		
L26	06.0362	Front wheel spindle	1		
L49	06.0361	Front wheel spindle nut	1		
L27	06.0000	Front wheel cover plate	1		
	E.5944A	Brake plate packing washer	AR		
L34	06.0009	Brake expander	2		
L45	06.0006	Brake shoe with linings	2		
	06.0812	Brake shoe lining only	2		
	000113	Brake shoe lining rivet	Set 14		
L46	06.0014	Brake shoe spring	2		
	06.0013	Brake shoe slipper	2		
L36	06.0025	Expander lever	1		
L35	06.0027	Expander lever short...	1		
L37	000010	Expander lever washer	2		
L38	06.0029	Expander lever nut	2		
L41	06.0015	Expander lever tie rod	1		
L42	033057	Tie rod lock nut	1		
L39	06.0018	Yoke left hand thread	1		
L40	06.0019	Yoke right hand thread	1		
L30	06.0789	Air inlet cover	1		
	06.0020	Air inlet gauze	1		
	06.0021	Air exit gauze ...	1		
L31	06.0787	Self tapping screw	14		
	06.0845	Air exit cover ...	1		
L43	06.0552	Yoke pin	3		
L44	06.0553	Yoke pin circlip	3		
L28	19680	Expander bush	4		
L32	06.0004	Torque stop pivot pin	1		
	06.0005	Torque stop pivot pin nut	1		
	06.1005	Front brake cover plate complete	1		
	21394	Pivot pin washer	2		
	019512	Pivot pin circlip	2		

REAR WHEEL

	06.0986	Wheel complete	1		
	06.0987	Wheel bare, less fittings	1		
	18350	Rim only WM2-19	1		
	20063	Spoke—long head	20		
	20061	Spoke—short head	20		
	021693	Nipple ...	40		
M1	06.0313	Hub shell only...	1		
M5	06.0319	Brake drum (sprocket)	1		
M8	06.0323	Brake drum sleeve nut	3		
M11	17721	Hub bearing left hand	1		
M10	040100	Hub bearing right hand	1		
M16A	18234	Hub bearing spacer	1		
M14	06.0317	Hub bearing lock ring	1		
M13	E.6889	Hub bearing washer	1		
M12	E.6885	Hub felt washer	2		
M15	19714	Hub felt retaining washer	1		
M9 //.	18231	Inner sleeve	1		
M6	06.0291	Brake drum retaining stud	1		
M2	18348	Hub disc	1		
M3	25100	Hub disc hammer drive screw	6		
M4	18731	Hub disc grommet	3		
M20	06.0289	Rear wheel spindle	1		
M21	19266	Spindle washer	2		
	06.0324	Spindle spacer	1		
M22	06.0292	Spindle nut	1		

Plate No.	Part No.	Description	Qty.	Bin No.	£ s. d.
REAR WHEEL—continued					
M23	06.0332	Cover plate	1		
	06.0704	Brake lever return spring	1		
M30	06.0325	Torque pivot pin	1		
M31	06.0326	Torque pivot pin nut... ..	1		
M36	14454	Pivot pin retaining plate	1		
M37	14506	Pivot pin retaining plate washer	1		
M38	06.0327	Pivot pin retaining plate bolt	2		
M24	06.0314	Brake cam	1		
M32	06.0828	Brake shoe	2		
	06.0790	Brake lining	2		
	E.5061	Brake lining rivet	Set 14		
M35	E.5832	Brake shoe spring	2		
M25	19765	Expander lever	1		
M26	000010	Expander lever washer	1		
M27	06.0029	Expander lever nut	1		
M29	06.0334	Cover plate spacer outer	1		
	E.5276	Cover plate washer	AR		
	06.0806	Rear brake yoke trunnion	1		

BRAKE OPERATING PARTS

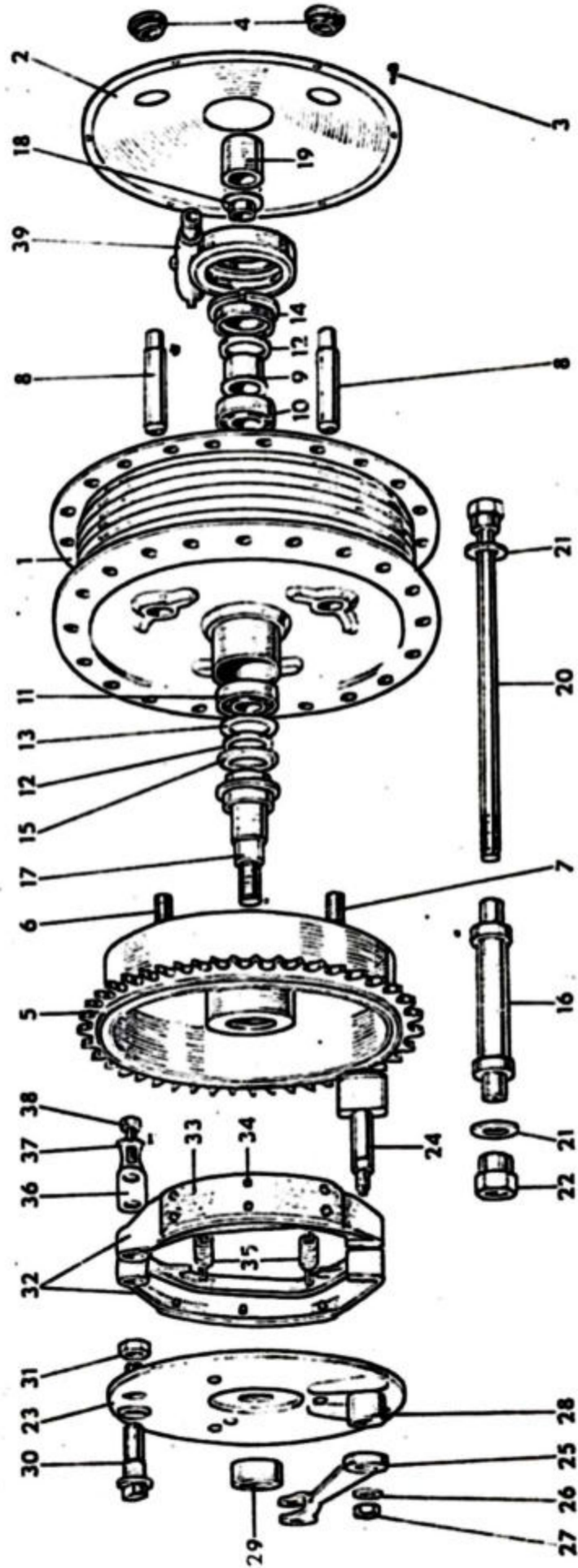
O2	06.0479	Brake pedal	1		
	06.0780	Rear brake lever roller	1		
	06.0797	Rear brake adjuster nut	1		
	06.0781	Rear brake adjuster collar	1		
	06.0796	Rear brake yoke assembled	1		
	06.0805	Yoke adjuster rod	1		
	06.0552	Yoke end pin	1		
	06.0553	Yoke end circlip	1		
	06.0806	Yoke trunnion... ..	1		
O13	06.0482	Rear brake cable	1		
O11	06.0481	Bolt locating grease nipple	1		
O4	06.0943	Brake pedal stop bolt	1		
O3	06.0651	Brake pedal stop bolt nut	1		
	021950?	Brake pedal pivot washer	1		
	06.0478	Brake pedal spindle	1		

SPEEDOMETER

	06.0675	Speedo head MPH	1		
	06.0733	Speedo head KILO	1		
	06.0801	Speedo light lead	1		
	25087	Speedo drive cable	1		
H6	06.0510	Instrument case	1		
M1	06.0627	Speedo gearbox	1		
M10	13270	Speedo gearbox spacer	1		
	030208	Speedo gearbox (with KILO speedo head 06.0733)	1		

HEADLAMP

	06.0798	Headlamp with harness (Home and U.S.A.)	1		
	06.0799	Headlamp with harness (French)	1		
	06.0800	Headlamp with harness (Continental)	1		
	031540	Headlamp bolt washer	2		
	031555	Headlamp bolt spacer	2		
	553248	Headlamp rim	1		
	144921	Screw, fixing rim	1		
	534296	Plate, fixing rim	1		
	38189	Warning light body assembly	1		
	54140331	Sealing washer, warning light	1		
	281	Bulb, warning light	1		
	54945043	Bulb holder warning light	1		
	35710	Lighting switch	1		
	516798	Light unit	1		
	554602	Bulb holder, main	1		
	54573590	Bulb holder, pilot	1		
	446	Bulb, main	1		
	989	Bulb, pilot	1		
	54523999	Body	1		
	54954277	Harness... ..	1		



M REAR WHEEL

Plate No.	Part No.	Description	Qty.	Bin No.	£ s. d.
REAR LAMP					
	24840	Rear lamp (Lucas 679) <i>4. No 53973</i>	1		
	54577109	Lens—Red	1		
	572289	Lens screw	2		
	54571677	Lens seating gasket	1		
	54574348	Bulb holder with reflector	1		
	380	Bulb	1		
	06.0909	Rear lamp screw	2		
	06.0810	Rear lamp lead	1		
HORN					
	032010	Electric horn	1		
	06.0865	Fixing bolt	2		
	000012	Fixing bolt washer	4		
	033057	Fixing bolt nut	2		
	06.0652	Horn bracket/mudguard bolt	1		
	06.0862	Horn bracket/mudguard bolt nut	1		
	06.102		1		
STOP LIGHT					
	031621	Stop light switch	1		
	06.0677	Stop light switch screw	2		
	000039	Stop light switch screw washer	2		
	06.0678	Stop light switch screw nut	2		
	06.0810	Stop light switch cable	1		
	06.0693	Stop light switch lead bracket	1		
ALTERNATOR <i>** available sizes</i>					
	54021027	Alternator (rotor and stator)	1		
K5	47205A	Stator only	1		
K15	54213901	Rotor only	1		
K2	06.0903	Alternator grommet	1		
K28	06.0386	Stator stud	3		
K27	06.0377	Stator stud spacer	3		
	000011	Stator stud washer	3		
K26	06.0700	Stator stud nut	3		
K12	06.0402	Rotor spacer	1		
K9, A140	20948	Rotor key	1		
K6, A74	24948	Rotor washer	1		
K7, A73	06.0387	Rotor nut	1		
K11	06.0664	Rotor shim .036 in.	AR		
K10	06.0665	Rotor shim .010 in.	AR		
	06.0572	Contact breaker complete	1		
	54419827	Contact breaker set	1		
	06.0573	Condenser pack	1		
	06.0720	Contact breaker bolt	1		
	T.2221	Contact breaker bolt washer	1		
	015306	Contact breaker bolt washer	1		
	029983	Contact breaker fixing screw	2		
	029984	Contact breaker fixing screw washer	2		
	034051	Contact breaker shaft	1		
	030080	Contact breaker shaft pin	1		
	033007	Contact breaker shaft sprocket	1		
	033068	Contact breaker shaft bearing	1		
	034052	Contact breaker shaft bearing	1		
	034053	Contact breaker shaft oil seal	1		
	034055	Contact breaker shaft thrust washer	1		
	034049	Contact breaker housing	1		
	030082	Contact breaker cover	1		
	19429	Contact breaker cover grommet	1		
	033056	Contact breaker cover seal	1		
	030084	Contact breaker cover clip	1		
	25105	Contact breaker housing fixing bolt	1		
	010706	Contact breaker housing fixing bolt washer	1		
	015306	Contact breaker housing fixing bolt washer	1		
	E.3229	Contact breaker housing fixing bolt nut	1		
	T.2191	Contact breaker housing flange gasket	1		
	T.2245	Contact breaker housing fixing stud	2		
	11796	Contact breaker housing fixing stud washer	2		
	E.3231	Contact breaker housing fixing stud nut	2		
	06.0946	Condenser pack fixing screw	2		
	000039	Condenser pack fixing screw washer	2		
	06.0678	Condenser pack fixing screw nut	2		
	031075	Capacitor	1		
	031080	Capacitor spring	1		

Plate No.	Part No.	Description	Qty.	Bin No.	£ s. d.
-----------	----------	-------------	------	---------	---------

BATTERY AND FITTINGS

033049	Battery PUZ5A	1		
--------	---------------	--------	---	--	--

RECTIFIER AND ZENER DIODE

029604	Rectifier with nut (Lucas 49072A)	1		
015306	Rectifier washer	1		
033057	Rectifier nut	1		
06.0649	Rectifier bracket	1		
000011	Rectifier bracket washer	2		
06.0348	Rectifier bracket nut	1		
033057	Rectifier bracket and battery carrier fixing nut	1		
06.0327	Rectifier bracket and battery earth bolt	1		
000012	Rectifier bracket and battery earth bolt washer	1		
030051	Zener diode	1		
06.0859	Zener diode bolt	1		
06.0544	Zener diode heat sink plate	2		
06.0541	Zener diode heat sink plate spacer	1		
06.0853	Zener diode bracket	1		
015306	Zener diode washer	1		
033057	Zener diode nut	1		
06.0847	Zener diode "Rotolok"	1		
06.0697	Coil	2		
06.0699	Coil fixing bolt	2		
045062	Coil fixing bolt washer	4		
033057	Coil fixing bolt nut	2		
06.0803	Coil blade	4		
06.0694	Coil bracket spacer	4		

SWITCHES AND ELECTRICAL SUNDRIES

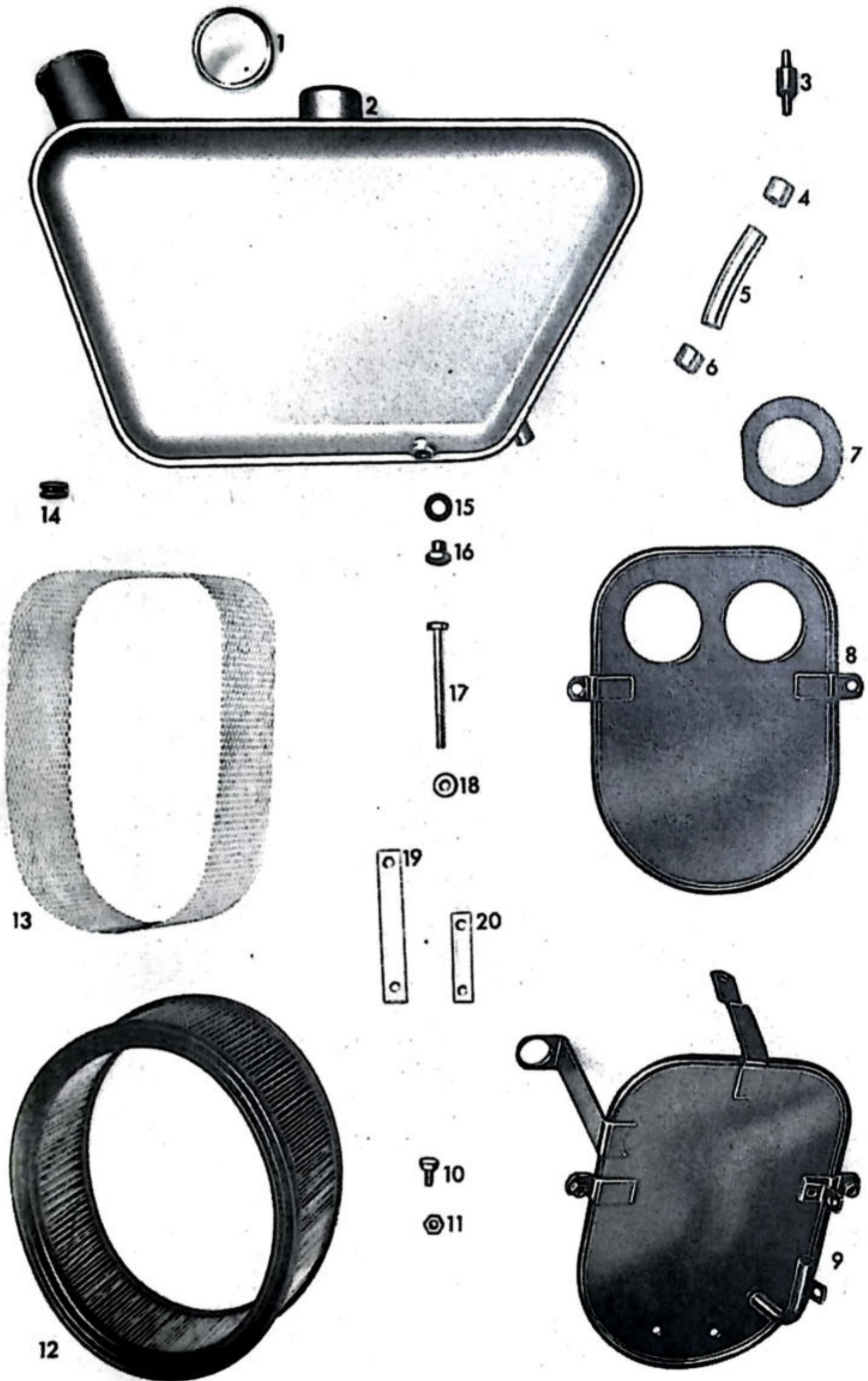
06.0802	Engine earth lead	1		
06.0327	Battery earth bolt (rectifier bracket fixing)	1		
000012	Battery earth bolt washer (rectifier bracket fixing)	1		
06.0585	H.T. cable for sparking plug	2		
06.0834	Sparking plug (Champion N 6 Y)	2		
36403A	Ammeter	1		
032220	Sparking plug cover (suppressed)	2		
032221	Sparking plug cover (unsuppressed)	2		
06.0785	Dipper switch and horn button	... <i>use Wipac S 38 59</i> ...	1		
033016	Ignition switch	1		
033044	Ignition switch lock (with 2 keys)	1		
000951	Ignition switch sleeve 1 1/8 in.	1		
18285	Grommet-harness to frame	2		
06.0809	Grommet-harness to tail section	2		

GASKET SETS

06.0910	Gasket set complete	1		
06.0911	Gasket set decarbonising	1		
06.0719	Timing cover gasket	1		
048023	Oil seal (timing side)	1		
T.2187	Oil seal (driving side)	1		
16949	Filter body washer	1		
T.272	Oil pump sealing washer	1		
033056	Contact breaker cover gasket	1		
T.2191	Contact breaker housing flange gasket	1		
06.0398	Outer portion front chain case gasket	1		
042025	Inspection cap gasket (chaincase)	2		
20842	Inspection cap gasket (chaincase ignition timing)	1		
T.1084	Rocker feed pipe banjo washer	6		
06.0400	Cylinder head gasket	1		
24249	Cylinder base gasket	1		
T.2084	Rocker cover gasket	1		
T.2088	Rocker cover gasket	2		
T.2083	Rocker shaft joint washer	4		
T.2240	Rocker shaft plate joint washer	4		
T.2166	Exhaust pipe nut washer	2		
012443	Felt washer	1		
06.0911	Gasket—chaincase to crankcase	1		

ACCESSORY COVER

06.0854	Accessory cover assembled	1		
06.0836	Accessory cover bracket front	1		



N AIR FILTER

Plate No.	Part No.	Description	Qty.	Bin No.	£ s. d.
-----------	----------	-------------	------	---------	---------

ACCESSORY COVER—continued

	06.0838	Accessory cover bracket rear	1		
	06.0327	Accessory cover bracket bolt	4		
	000012	Accessory cover bracket bolt washer	4		
	033057	Accessory cover bracket bolt nut	4		
J12	06.0848	Accessory cover "Rotolock"	1		
	06.0857	Accessory cover "Rotolock" rubber pad	1		
J14	06.0856	Accessory cover grommet	2		

REVOLUTION COUNTER

	06.0676	Rev. counter head	1		
	030392	Rev. counter drive cable	1		
	06.0801	Rev. counter light lead	1		
H6	06.0510	Instrument case	1		
A137	06.0710	Rev. counter gearbox	1		
A136	012873	Rev. counter gearbox screw	2		
A138	23446	Rev. counter gearbox washer	2		

RSM 3003/10
DF9111/03... 2 1/8"
BG 1508/06

AIR FILTER

	06.0327	Air filter fixing bolt	1		
	000012	Air filter fixing bolt washer	2		
	033057	Air filter fixing bolt nut	1		
	033027	Air filter mounting plate sleeve	2		
N8	06.0902	Air filter front plate assembled	1		
N9	06.0815	Air filter back plate assembled	1		
N12	06.0673	Air filter element	1		
N13	06.0816	Air filter perforated plate	1		
N17	06.0900	Air filter fixing bolt	2		
N7	06.0671	Air filter hose	2		
N10	06.0327	Air filter bolt (to battery tray)	3		
N19	06.0925	Air filter bolt locking strip (long)	1		
N18	000012	Air filter bolt washer	5		
N20	06.0926	Air filter bolt locking strip (short)	1		

(D60902.A Chrome)

CABLE CLIPS

	011907	Rubber cable clip (short)	4		
	026881	Rubber cable clip (long)	2		

TAIL SECTION

O14	06.0502	Tail section	1		
	06.0506	Tail section bracket	1		
	06.0504	Tail section bracket rubber	1		
	06.0359	Tail section bolt	1		
	06.0859	Tail section bolt	1		
	000011	Tail section bolt washer	2		
	06.0864	Tail section motif	1		
	06.0500	Tail section motif adhesive	1		

06.0779 Stud, lead
06.0348 nut

TOOLS

	017253	Tool bag	1		
	06.0820	Spanner O/E 1/8 in. x 3/8 in. AF	1		
	06.0821	Spanner O/E 7/16 in. x 1/2 in. AF	1		
	06.0822	Spanner O/E 1/2 in. x 5/8 in. AF	1		
	06.0823	Spanner O/E 5/8 in. x 3/4 in. AF	1		
	06.0824	Spanner box 1/2 in. AF	1		
	06.0922	Spanner box 3/4 in. x 1 1/8 in. AF	1		
	017248	Pliers	1		
	021625	Screwdriver	1		
	017052	Spanner O/E 1/2 in. x 1/2 in.	1		
	017053	Spanner O/E 1/2 in. x 3/4 in.	1		
	SBU2/76	Spanner box 1/2 in. x 1/2 in.	1		
	024365	Contact breaker screwdriver/gauge	1		
	019869	Allen key	1		
	017252	Plug box spanner	1		
	030459	Tommy bar	1		
	023284	Suspension unit spanner	1		
	LTU07	Tyre Lever	2		
	017114	Tyre pump	1		
	SPU/20	Rocker adjusting spanner	1		
	06.0829	Tyre pump shield	1		
	06.0989	Toolkit complete less inflator	1		



O TAIL SECTION