

BRITCYCLE
www.britcycle.com.au

CATALOGUE

of



for 1949

BSA

BANTAM

MOTOR CYCLE

Model D1

125 c.c. TWO STROKE

Price
5/-

Catalogue of



for 1949

BSA

Bantam Motor Cycle

All communications relating to Spare Parts or Repairs to Motor Cycles to be addressed to B.S.A. Cycles Ltd., Birmingham, II

B.S.A. CYCLES LTD.

Directors:

SIR BERNARD DOCKER, K.B.E., J.P. (Chairman), J. LEEK, C.B.E., J. A. T. DICKINSON.
S. F. DIGBY.

Registered Offices and Works

SMALL HEATH - BIRMINGHAM, II

Telephones - - BIRMINGHAM VICTORIA 2381 (20 lines)

Service, Spares and Repairs Department

Telephone - - - - - VICTORIA 2234 (3 lines)

Telegrams and Cables - - "SELCYC, BIRMINGHAM"

Contractors to His Majesty's Government, the War Office, the Admiralty
the Post Office, the Colonial and Foreign Governments

COPY OF B.S.A. MOTOR CYCLE SPARE PARTS GUARANTEE.

We give the following guarantee with B.S.A. Motor Cycle Spare Parts, instead of the guarantee implied by statute or otherwise, as to the quality or fitness of such parts for the purpose for which they are intended, any such implied guarantee being in all cases excluded, nor can any claim for consequential damages be entertained.

WE GUARANTEE, subject to the conditions mentioned below, that all precautions which are usual and reasonable have been taken by us to secure excellence of materials and workmanship, but this guarantee is to extend and be in force for six months only from the date of purchase, and the damages for which we make ourselves responsible under this guarantee are limited to the replacement of any part which may have proved defective.

WE UNDERTAKE, subject to the conditions mentioned below, to make good at any time within six months any defects in these respects: As motor cycles are easily liable to derangement by neglect or misuse, this guarantee does not apply to defects caused by wear and tear, misuse, or neglect. The term "misuse" shall include among others the following acts: The attaching of a sidecar to the motor cycle in such a manner as to cause damage or calculated to render the latter unsafe when ridden: the use of a motor cycle or a motor cycle and sidecar combined when carrying more persons or a greater weight than they were designed to bear. (The 125 c.c. machines are not designed for sidecar work).

REPAIRS AND RENOVATIONS GUARANTEE.

Any B.S.A. motor cycle sent to us to be replated, re-enamelled, or repaired will be treated upon the same conditions as if it were a new motor cycle, i.e., we guarantee that all precautions which are usual and reasonable have been taken by us to secure excellence of material and workmanship, such guarantee to extend and be in force for six months only from the time such work shall have been executed, and this guarantee is in lieu and in exclusion of any Common Law or statute warranty, and the damages recoverable are limited to the cost of any further work which may be necessary to amend and make good the work found to be defective.

CONDITIONS OF GUARANTEE.

If a defective part should be found in our motor cycles it must be sent to our Works at Small Heath, carriage paid, and be accompanied by an intimation from the sender that he desires it repaired free of charge under our guarantee, and he must also furnish us at the same time with the number of the machine and engine, which will be found stamped on the front down tube and crankcase respectively, the name of the Dealer from whom he purchased, and the date of the purchase.

Failing compliance with the above no notice will be taken of anything which may arrive but such articles will lie here at the risk of the sender, and this guarantee or any implied guarantee shall not be enforceable.

We do not guarantee the specialities of other firms, such as tyres, electrical equipment, saddles, etc., or of any component part supplied to the order of the purchaser differing from our standard specifications, whether supplied with our motor cycles or otherwise.

THE TERM "AGENT."

We do not appoint agents for the sale of our Motor Cycles or other goods. We assign to Motor Cycle Dealers (styled "Regional" Dealers), who carry on business on their own account, areas in which they have the exclusive or other right to sell goods purchased from us. A Regional Dealer purchasing from us, or a Sub-Dealer purchasing from him, may, on our behalf (as our agent for the purpose only) give the guarantee printed above. Any such dealer is not authorised to advertise, incur any debts, or transact any business whatsoever on our account, nor is he authorised, so as to bind us to give any warranty or make any representation on our behalf or to sell subject to or with any conditions other than those contained in such guarantee.

SPARES AND REPAIRS.

Please carry out the following in order to ensure prompt attention and correct execution of orders.

SPARES.

1. Parts forwarded as patterns and all orders for spares should be addressed to "Spares," B.S.A. Cycles Ltd., Birmingham 11.
2. When ordering parts the frame and engine numbers must be quoted. The former will be found stamped on the front down tube and the latter on the nearside of the crankcase immediately below the cylinder base. It is essential that the component numbers of the parts required be clearly stated.

IMPORTANT.—In quoting engine and frame numbers the full number, including prefix letters, MUST BE GIVEN.

3. To avoid delay orders for spare parts should be written on a separate order form or sheet of paper to correspondence on other matters.

REPAIRS.

4. All motor cycles, engines, sidecars, or components for repair, must be consigned to "Repair," B.S.A. Cycles Ltd., Birmingham 11.
5. In cases where we are simply instructed to "overhaul," the machine or component will be entirely dismantled and all worn parts renewed, re-assembled and tested in a suitable manner.
6. When sending complete motor cycles to us such accessories as lamps, horns, speedometers, tools, etc., should be removed, as they are liable to be damaged or lost in transit, for which we cannot accept liability.
7. In the case of telephone enquiries relating to the supply or repair of motor cycle or sidecar parts customers are requested to communicate with the Department concerned as above. Telephone number: Birmingham Victoria 2234 (3 lines).
8. It frequently happens that parts are forwarded to us which do not bear the sender's name and address. Care in this respect will prevent delay and annoyance.
9. All goods must be consigned to us carriage paid.
10. All prices quoted in the price list do not include the cost of postage or carriage and packing, and are subject to alteration without notice. B.S.A. Cycles Limited reserve the right to charge for all goods supplied at prices ruling at time of delivery.
11. It must be understood that when no Ledger Account is open with the Company orders must be accompanied by a remittance. At the same time instructions should be given as to the method of despatch (either post, passenger or goods train), and such charges should be included in the remittance. All cheques and Postal Orders should be made payable to B.S.A. Cycles Limited.
12. Complaints relative to defects in tyres, saddles, and electrical equipment should be sent direct to the manufacturer of such articles as these goods are only guaranteed in accordance with the respective makers' warranty.
13. On the next pages will be found a list of Dealers who maintain a comprehensive stock of B.S.A. spare parts. You will save time and expense by ordering direct from the nearest Stockist.

B.S.A. Cycles Ltd. reserve the right to alter the designs or any constructional details of their manufactures at any time without giving notice.

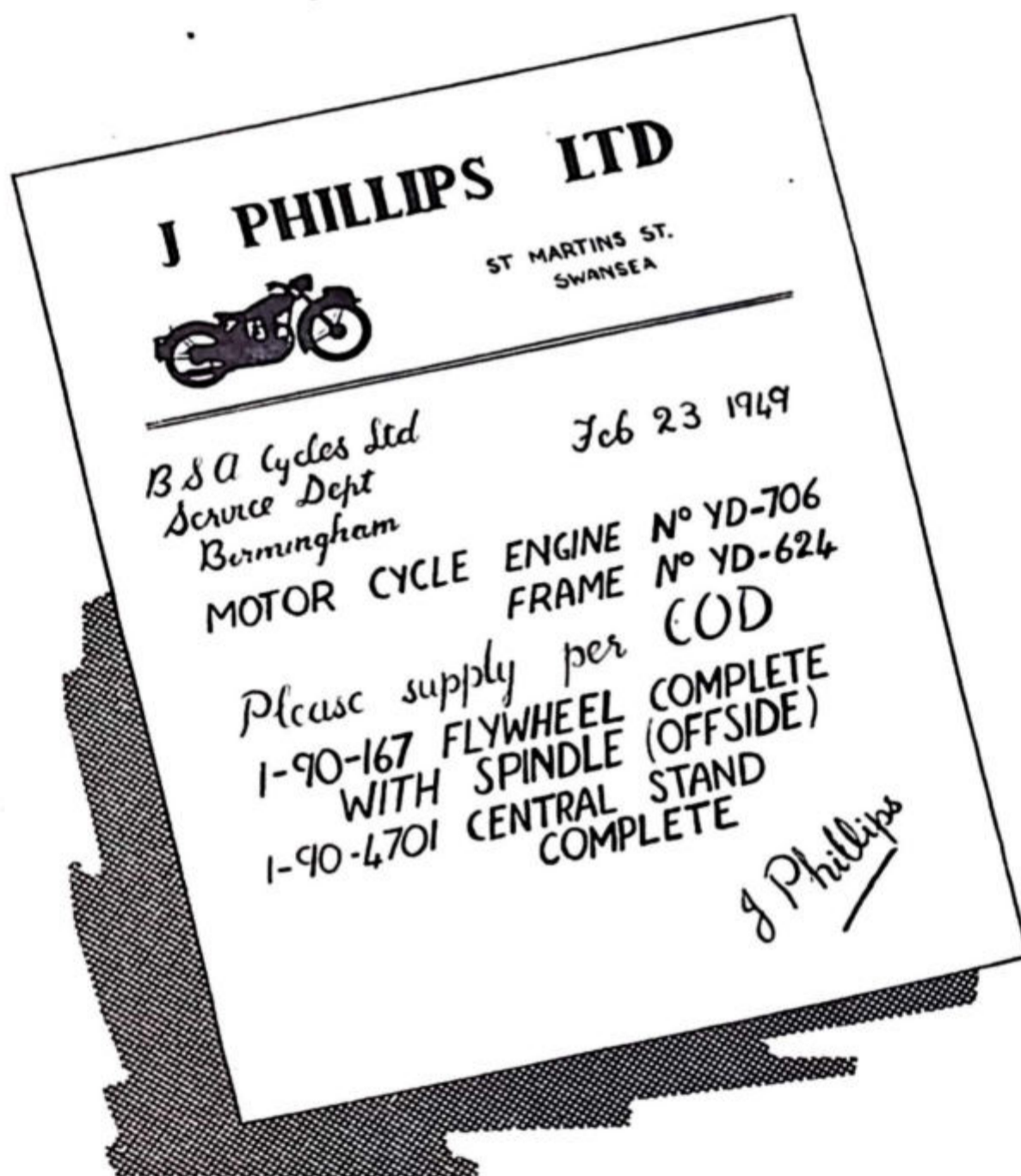
How to Order

1. Quote Engine and Frame numbers, including prefix letters.

THE ENGINE NUMBER IS STAMPED ON THE NEARSIDE OF THE CRANKCASE IMMEDIATELY BELOW THE CYLINDER BASE, THE FRAME NUMBER ON THE FRONT DOWN TUBE.

2. State model number of machine, with part number of component required and the catalogue description.
3. Address to B.S.A. CYCLES Ltd., Service Dept., Birmingham 11. Service Dept. Telephone No. Birmingham VICToria 2234 (3 lines)

Specimen Order



Owners of B.S.A. Motor Cycles are strongly recommended to order spares from the nearest B.S.A. Dealer. All B.S.A. Motor Cycle Dealers carry stocks, but a comprehensive range of B.S.A. spares is maintained by the officially appointed B.S.A. Spare Parts Stockists whose names and addresses are given in the illustrated spare parts list.

LIST OF B.S.A. STOCKISTS.

SAVE TIME AND POSTAGE BY CONTACTING YOUR NEAREST B.S.A. STOCKIST FOR B.S.A. SPARE PARTS, SPARE PART CATALOGUES, INSTRUCTION BOOKS, TRANSFERS, ETC.

ALL B.S.A. DEALERS CARRY STOCKS OF B.S.A. SPARE PARTS BUT THE FOLLOWING APPOINTED STOCKISTS MAINTAIN A COMPREHENSIVE RANGE.

<i>Town.</i>	<i>Name of Stockist.</i>	<i>Address.</i>	<i>Telephone No.</i>	<i>Telegraphic Address.</i>
Aberdeen ..	J. Dawson	24-26 Thistle Street ..	1272	
„	George Cheyne (Cycles) Ltd.	147, Holburn Street..	6027	Westgar, Aberdeen.
Aldershot ..	Phillips Bros. (Aldershot) Ltd.	Birchett Road	1111/2	Phillips, Cycles, Ald'shot
Andover ..	Andover Motor & Cycle Co.	Weyhill Road	2991	
Banbury ..	Trinder Bros	2 & 3, Broad Street ..	2546	
Barnsley ..	T. Garner Ltd.	Sheffield Road	Barnsley 2866	
Bedford.. ..	The Imperial Cycle Co.	58, St. Loyes	2374	
Belfast	W. J. Chambers	106 and 108, Donegall Pass	27253/4	Fastnote, Belfast,
Biggleswade..	Bryants	25, 27, 72 and 74, Shortmead Street.	3108	
Birmingham..	County Cycle & Motor Co. Ltd.	266, Broad Street (closed Wed. 1 p.m.) 104, Bath Row (Repair) (closed Sat. 1 p.m.)	Mid. 2671	
„ (Edgbaston 17)	C. E. Cope & Sons Ltd.	13-15, Upper Hagley Road	Bearwood 2246/7	
„ (Sparkbrook 12)	Shovelbottom's Ltd. ..	376, Ladypool Road..	South 2212	
Birkenhead ..	Bob Simister Ltd. ..	540, New Chester Road, Rock Ferry	1452	
Blackburn ..	Shuttleworth & Geldart	15, Gt. Bolton Street ..	6678	
Blackpool ..	J. Hall & Son	143, Church Street	785	
Bolton	Charlie Robinson	119, Higher Bridge Street	3931	
Boscombe, Bournemouth	Craze Bros.	475, Christchurch Road ..	Boscombe 63	
Bridgwater ..	Anderson & Wall	18, St. Mary Street	2416	Anderson & Wall, Bridgwater.
Brighton ..	Redhill Motors (Brighton) Ltd.	104, North Road	5281	
Bristol	S. J. Fair Motors Ltd. .	201/3, Cheltenham Road ..	46238	
Bury	Arthur Coyle (Prop. W. Hudson).	30-32, Walmersley Road ..	714	Coyle Motors, Bury.
Bradford ..	C. Sidney Ltd.	140-142, Manningham Lane	3116	
Cambridge ..	King & Harper Ltd. ..	Milton Road Corner..	3201	Motors, Cambridge.
Canterbury ..	Marcel Hallet	St. Dunstan's Street ..	3046	
Cardiff	Car Distributors (Cardiff) Ltd.	155, City Road	3422	
„	Robert Bevan & Son ..	29/35, Castle Street	1808	

Town.	Name of Stockist.	Address.	Telephone No.	Telegraphic Address.
Carlisle	W T. Tiffen & Son ..	Irishgate Brow	314	Tiffin, Irishgate, Carlisle.
Carmarthen ..	W. Edwards & Sons (Carmarthen) Ltd.	Towy Garage	482/3	Edwards Garage, Carmarthen.
Chapel-en-le-Frith	E. W. Bowers	129, Town End	144	
Chatham ..	Messrs. Grays	14/16, High Street	Chatham 4005	
Chelmsford ..	Hadlers Garage Ltd. ..	New Street	2227	Hadler, Chelmsford.
Cheltenham ..	Leslie Paynter	Bath Street	2887	Paynters G'ge Bath St., Cheltenham.
Chester	Davies Bros.	34, Bridge Street	510	
Chichester ..	W. Goodridge & Co. Ltd.	East Street	2033	
Colchester ..	S.S. Motor Cycle Supply Co.	63a, High Street	2632	
Colwyn Bay ..	Gilbert Emery	Post Office Chambers, Penrhyn Road.	2813	
Coventry ..	Coventry Motor Mart Ltd.	London Road	2146/7/8	Coventry Motor Mart.
Croydon ..	Godfrey's Ltd.	228/234, London Road ..	Croydon 3641/2	Gofrabike, Croydon.
Darlington ..	The Duplex Motor and Cycle Co.	Grange Road	D' ton 2071	Duplex, Darlington.
„ ..	White Bros.	205-209, Northgate.. ..	Darlington 2379	
Derby	Ingle's Provincial Garages Ltd.	Walbrook Road	45289	
Doncaster ..	W. Cusworth (Doncaster) Ltd.	7, Hall Gate	2431/2/3	Cars, Doncaster.
Dorchester ..	Tilleys	31, South Street	367	Motors, Dorchester.
Dudley	Chas. E. Cope & Sons Ltd.	193, High Street	Dudley 3464/5/6	
„ ..	James Parkes & Sons ..	7, King Street	Dudley 2889	
Dundee	George McLean	Riverside Drive.. ..	5088	Vehicles, Dundee.
Dunstable ..	B. G. England (Dunstable) Ltd.	Half Moon Hill, London Road.	843/4	
Edinburgh ..	J. R. Alexander & Co. Ltd.	10/14, Lothian Road ..	21176	Motor Cycles, Edinburgh.
Enfield	D. J. Shepherd & Co. (Enfield) Ltd.	434-6, Hertford Road, Enfield Highway.	Howard 1631	
Exeter	P. Pike & Co. Ltd. ..	Alphington Street	3031	Pike, Exeter.
Frome	P. Difazio	25, Catherine Street ..	2913	
Gateshead, 8..	O. Carmichael & Son..	75, 83 and 87, High Street West.	71815	
Glasgow	Bell Bros. (H.P.) Ltd. . .	215-223, St. Georges Road	Douglas 6414	Douglas 6414 Glasgow.
„ ..	J. R. Alexander & Co. Ltd.	264/280, Gt. Western Road	Douglas 3802/3/4	Alex Moto, Glasgow.
Gloucester ..	Harpers	23a, Worcester Street ..	3187	Gloucester 3187
Grimsby ..	Harry Wardall Ltd. ..	13-15, Osborne Street ..	2202	
Guernsey ..	Millard & Co. Ltd. ..	Victoria Road	777	Millard Mtrs. Guernsey.
Guildford ..	E. Pascall (Guildford) Ltd.	11/12, Woodbridge Road..	Guildford 2274/5	
Halifax	Halifax Motor Exchange	25, Horton Street	3400	Halifax 3400.

<i>Town.</i>	<i>Name of Stockist.</i>	<i>Address.</i>	<i>Telephone No.</i>	<i>Telegraphic Address.</i>
Hampton-in-Arden	J. Pearson	The Garage, Barston ..	Hampton-in-Arden 30	
Harrogate ..	H. Aclam (<i>Prop.</i> H. Baynes)	11, Bower Road	5125	
Harrow	E. T. Pink (Harrow) Ltd.	Station Road	0044.5	Pink, Harrow.
Haywards H'th	Dinnages Garages Ltd...	Wivelsfield Road	1146	
Hereford ..	A. Kear & Co.	52b, Commercial Street ..	2239	Kear, Hereford.
Holbeach ..	G. Woodman Ltd. ..	34, Fleet Street	Holbeach 3221	
nr. Spalding				
Hove	Bradshaws	6, Western Road	Hove 5252/3	
Huddersfield.	Earnshaw	Manchester Road	1232	
Hull	Brown's (Witham) Ltd.	43, 47, 48, Witham.. ..	31417	
Ipswich	Revetts Ltd.	Clarkson Street.. ..	2822	
Jersey	Colebrooks (Peter Perrio)	1 and 11, New Street ..	Central 642	Co'ebrooks, Jersey.
Kirkcaldy ..	The County Motors ..	Junction Road	2568	
Keighley ..	Dick Ratcliffe	Coldshaw Garage, Haworth	Haworth 3133	
Launceston ..	J Wooldridge & Son ..	Western Road	21	
Leeds	Watson-Cairns & Co.Ltd.	Lower Briggate	23379	Watson-Cairns, Briggate, Leeds
Leicester ..	E. W. Champion & Son Ltd.	Welford Place	58054	
Lincoln	West's (Lincoln) Ltd. ..	116, High Street	762	
Liverpool	Bee Cycle & Motor Co. Ltd.	2, 4, 6, Upper Newington . Renshaw Street	Royal 6375-6	Bee, Cycles Liverpool
"	Cundles	41, Byrom Street	Central 6160	Cundles, Central 6160.
Llwhaden ..	James Bowen & Sons ..	Llwhaden, nr. Narberth,.. Pem.	Llwhaden 6	
London, N.W.1	Godfreys Ltd.	Eden Street	Euston 4046/7	Gofra Bike, London.
"	N.W.1 J. Grose Ltd.	379-381, Euston Road ..	Euston 5231	
"	W.5.. Kays of Ealing	8-10, Bond Street	Ealing 2387	Sparesokay, Ealux, Lond.
"	S.E.13 F. Parks & Son Ltd. ..	404, High Street, Lewisham	Lee Green 0535	
"	S.E.18 Cleare & Co. Ltd. . ..	1 and 125, High Street, Woolwich.	Woolwich 0174	
"	E.7 .. Lovett's Ltd.	418, Romford Road, Forest Gate.	Grangewood 1234	Lovemoto, London.
"	N.12 George Grose Ltd. ..	834, High Road, Finchley	Hillside 2149	
"	S.E.11 Writers Ltd.	161/5, Kennington Lane ..	Reliance 1362	
"	S.W.11 Owen Bros.	19, Battersea Rise, Clapham Junction.	Battersea 1299	
"	S.W.6 Claude Rye Ltd.	897-921, Fulham Road, Fulham.	Renown 4246/7/8	Ryebikes, Walgreen, L'don.
"	W.12 . Turners Stores	81-83, Goldhawk Road, Shepherds Bush.	Shep. Bush 2436	
"	W.3.. Whitbys of Acton Ltd. .	273, The Vale, Acton ..	Shep. Bush 5355-6	
Maidstone ..	Redhill Motors (Maidstone) Ltd.	The Broadway	3096	

<i>Town.</i>	<i>Name of Stockist.</i>	<i>Address.</i>	<i>Telephone No.</i>	<i>Telegraphic Address.</i>
Mansfield ..	W. Henstock	128, Chesterfield Road ..	778	
Manchester ..	Colmore Depot	17-18, Watson Street ..	Blackfriars 3322	
„ ..	Tom Davies (Motors) Ltd.	233, Deansgate	Blackfriars 0681	
„ ..	Fred Fearnley Ltd. ..	692-4, Ashton Old Road..	East 1445/6	East M'hester 1445.
Manchester ..	Webb & Waitt Ltd., Stretford Garage.	Chester Road, Stretford..	Longford 2223/4	
Middlesbrough	Pallister, Yare & Cobb Ltd.	160, Linthorpe Road.. ..	2873/4	Payacob, Middlesbrough
Newcastle-on-Tyne	Dene (Newcastle) Motor Co. Ltd.	Haymarket.. .. .	N'castle 21837	Ened, New- castle-on-Tyne
Northampton .	P. C. Spokes & Son ..	1, Henry Street	1160	
Norwich ..	Chapmans(Norwich)Ltd.	42, Duke Street	24727	
Nottingham ..	E. W. Champion & Son Ltd.	Station Street	2961	
Oxford	H. F. Temple	69, High Street, St. Thomas	2485	
Parkstone ..	Bob Foster	472, Ashley Road	Parkstone 63	
Perth	M. Shaw & Sons	143, High Street	483	
Peterborough .	Burrows Bros.	55-57, Westgate.. .. .	2154	
Plymouth ..	P. Pike & Co. Ltd. ..	26-28, Union Place	3108	Piko, Plymouth.
Portsmouth ..	Percy Kiln Ltd.	65/67, Elm Grove, Southsea	Portsmouth 4793	
„ ..	G. E. Minnell	19, Cuthbert Road, Kings- ton.	—	
Preston	Loxhams Garages Ltd. .	Central Garage, Chanley St. Fishergate.	Sales 4242 Service 4243	Loxhams, Preston.
Pulborough ..	Gray & Rowsell	Bury Gate	Bury 4	
Reading	Fortescue Bros. Ltd. ..	1-2, West Street	4143	4143 Reading.
„ ..	Phillipe & Bloomfield (Motors) Ltd.	10/24, South Street	Reading 2635	
Redhill	The Redhill Motor and Cycle Works Ltd.	50, Brighton Road	327	
Romford ..	G. H. Wilson	George Street	2660	
St. Austell ..	Kellaway (Cycles & Motors) Ltd.	34, South Street	102	
Scarborough ..	E. Watkinson	Roscoe Street		
Sevenoaks ..	Angus Motor Cycles ..	Station Parade	Sevenoaks 3338	
Sheffield ..	Walter Wragg Ltd. ..	Stanley Works, Wellington Street.	26098	Sheffield 26098.
Shetland ..	Thomson's Garage ..	Esplanade, Lerwick	85	Thomson's Garage, L'ck.
Sittingbourne	Scoones' Garage	9, West Street	66	Scoones, Sittingbourne.
Southampton .	Alec. Bennett Ltd. ..	152, Portswood Road ..	74081/2	
Southport ..	H. F. Brockbank	62, King Street	5054	
Stockport ..	Theobald & Coppack ..	6, Chestergate	2843	Theobald, Coppack,Stockport.
Stockton-on-Tees	Stan Jones (Automobile Engineers) Ltd.	7a, Bridge Road	66179	

Town	Name of Stockist	Address	Telephone No.	Telegraphic Address
Stoke-on-Trent	J. & N. Bassett	Howards Place, Shelton. .	2890	
Sunderland ..	Dunns Garage Ltd. ..	53-4, North Bridge Street.	4994	
Sutton-in-Ashfield	W. Henstock	Forest Street Garage ..	90	Henstock, 90 Sutton-in-Ashfield
Swansea	Bert James	216, Picton Lane	2956	
Swindon ..	Easters Garage	5/7 Manchester Road ..	Swindon 2788	
Taunton ..	W. P. Edwards (Motors) Ltd.	58, East Street	2943	Edwards, Motor Cycles, Taunton.
Thetford ..	W. & G. Lambert Ltd..	Castle Street	2217	
Tunbridge Wells	C. E. Tunbridge	2, Vale Road	416	Tunbridge Motor, Tunbridge Wells.
Twickenham..	C. A. Blay	192, Heath Road	Popesgrove 2103 & 1435	
Watford	Lloyd Cooper & Co. Ltd.	61, Queens Road	2125	
Warrington ..	Frodsham Jack, Ltd. ..	37a, Winnick Street	471	
Westcliff-on-Sea	J. Costin & Sons.. ..	233-5-7, London Road ..	Southend 2215	
Weybridge ..	W. L. Lewis & Sons ..	51, Church Street	210	
Weymouth ..	Tilleys	9, Frederick Place	72	
Winchester ..	Winchester Cycle and Motor Co.	Jewry Street	2728	
Worcester ..	W. J. Bladder & Son ..	52, Sidbury	2438	Bladder, Sid- bury, Worc'ter.
Wolverhampton	C. E. Cope & Sons ..	168-9, Stafford Street ..	22850	
Worthing ..	Wheatlands	56, Broadwater Street (West)	1224	
Yeovil	The Yeovil Motor Mart	Hendford	267	Motor Mart, Yeovil.
York	C. S. Russell (York) Ltd.	Lawrence Street	3793	Russell, Law- rence Street, York

ENGINE.

	Description.	Part No.
Cylinder Barrel	90-1
Cylinder Head	90-2
Cylinder Barrel Stud	90-111(4)
Cylinder Barrel Stud Nut	21-4(4)
Cylinder Barrel Stud Washer (plain)	F21(4)
Cylinder Base Gasket	90-273
Crankcase complete with fixed fittings (offside)	90-162
Crankcase complete with fixed fittings (nearside)	90-163
Crankcase Cover complete (nearside)	90-183
Crankcase Drain Plug	90-261
Crankcase Drain Plug Washer (fibre)	90-262
Crankcase Cover Screw (nearside)	90-125(3)
Crankcase Cover Grease Nipple (nearside)	28-2080
Crankcase Fixing Screw (long)	90-125(2)
Crankcase Fixing Screw (short)	65-2158(9)
Crankcase Dowel Bush	90-109(2)
Crankcase Cover Fixing Screw (short)	90-248(2)
Crankcase Fixing Screw Washer (spring)	24-978(11)
Dipstick complete	90-112
Dipstick Fibre Washer	M552A
Sparking Plug	65-112
Sparking Plug Washer	66-102

ENGINE AND FRAME MARKINGS

For Model D1

Engine YD-101 upwards Frame YD-101 upwards

GEAR RATIOS for Model D1

Top 7.0 to 1 Second 11.7 to 1 First 22.0 to 1

EQUIPMENT. SADDLES.

Messrs. Mansfield, Heathfield Road, Birmingham, 9.

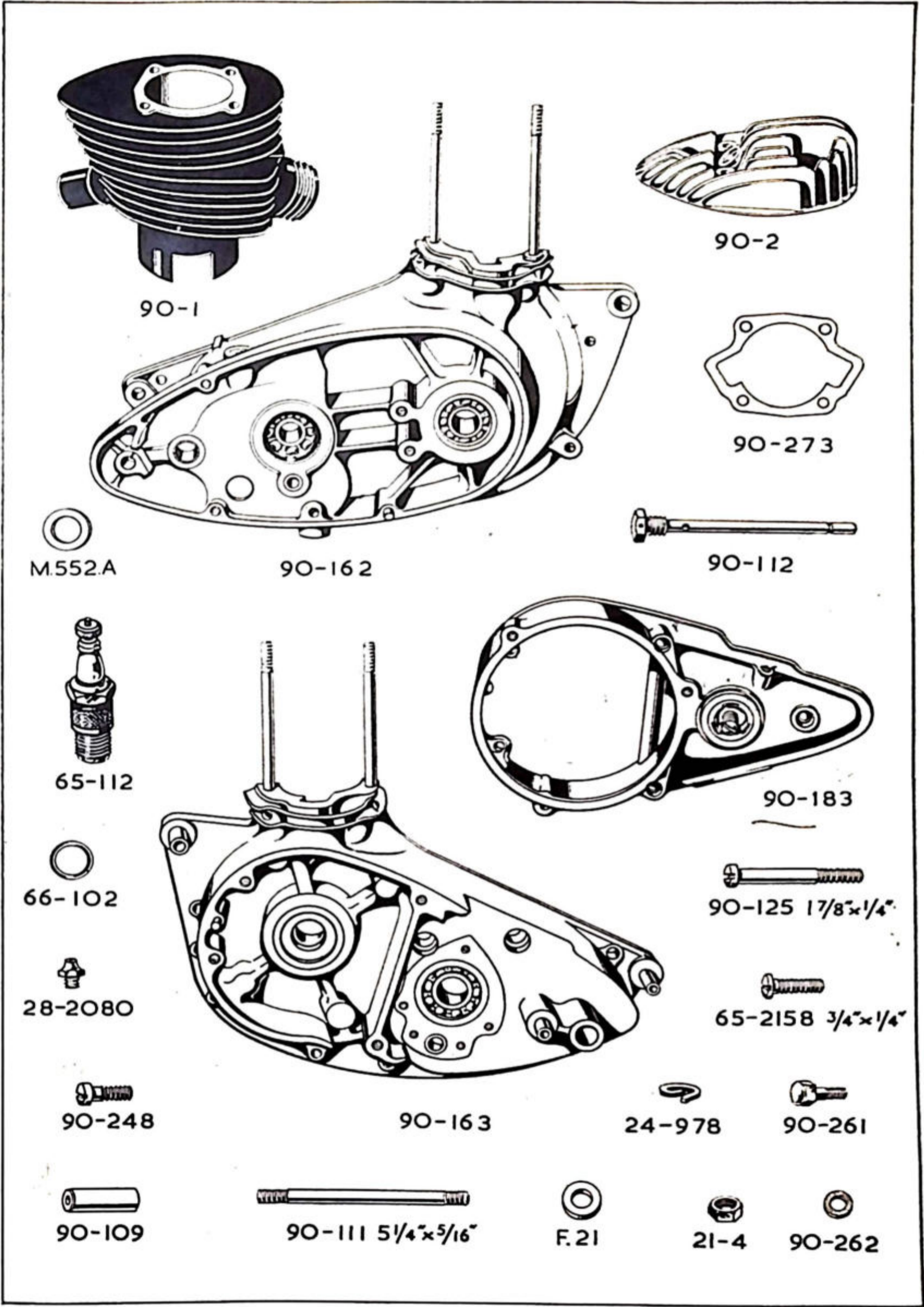
Saddle 90-9001 Type 43

SPARKING PLUGS.

Champion Sparking Plugs Ltd., Feltham, Middlesex.

Sparking Plug 65-112 Type L11

ENGINE



ENGINE—continued.

Description	Part No.
Flywheel and Connecting Rod assembled	90-166
Flywheel complete with spindle (nearside)	90-168
Flywheel Spindle only (nearside)	90-169
Flywheel complete with spindle (offside)	90-167
Flywheel Spindle (offside)	90-15
Flywheel Cover Plate	90-171(2)
Flywheel Magneto	90-187
Flywheel Magneto Key	89-149
Flywheel Magneto Fixing Screw	65-2158(3)
Flywheel Magneto Fixing Screw Washer (plain)	A34(3)
Flywheel Magneto Cam Key	90-246
Flywheel Magneto Cam Screw	90-256
Flywheel Magneto Cam Plain Washer	90-257
Flywheel Magneto Cam Spring Washer	90-258
Flywheel Magneto Fixing Nut	90-259
Flywheel Magneto Fixing Nut Washer	90-260
Crankshaft Bearing	89-3023(2)
Crankshaft Bearing	90-10
Crankshaft Nut	21-7
Crankshaft Oil Seal...	90-147(2)
Crankshaft Distance Collar	90-243
Crankshaft Oil Seal Bush	90-116
Crankshaft Sprocket	90-120
Crankshaft Sprocket Nut	21-7
Crankshaft Sprocket Lockwasher	90-121
Crankshaft Sprocket Key	35-1896
Crankshaft Shim (.003")	90-152
Crankshaft Shim (.004")	90-153
Crankshaft Shim (.005")	90-154
Crankshaft Shim (.010")	90-155
Piston, complete with pegs	90-136
Piston complete with pegs (.020" oversize)	90-276
Piston Ring Peg	90-123(2)

ELECTRICAL EQUIPMENT.

Messrs. Wico Pacy, Denbeigh Road, Bletchley, Bucks.

Headlamp	... Ref. No. 1-58	Tail lamp	... Ref. No. 1-59
----------	-------------------	-----------	-------------------

SPEEDOMETERS.

Messrs. Smith's Motor Accessories Ltd., Cricklewood Works, London.

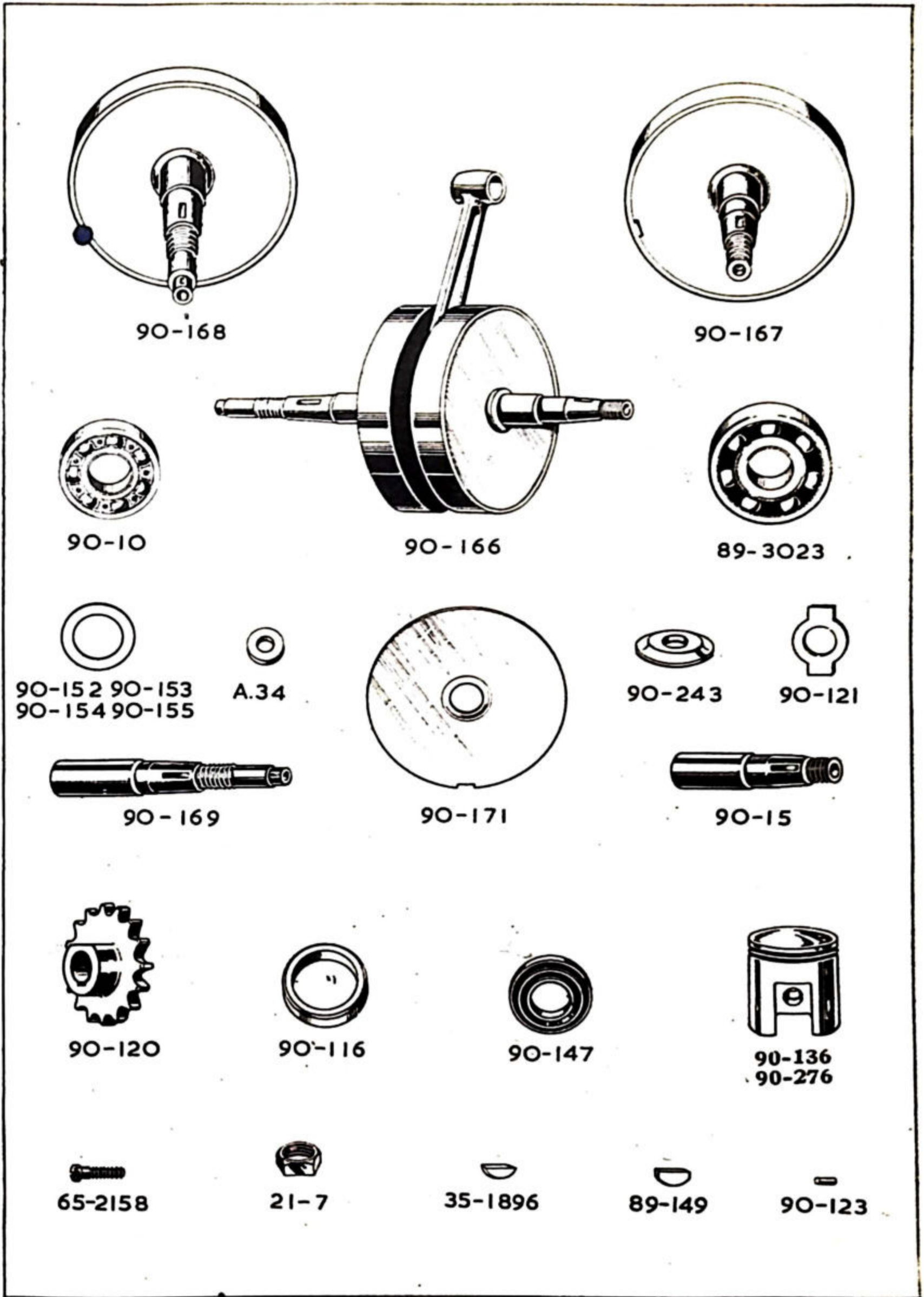
Speedometer (Fork fixing)			
55 m.p.h.	... Type S411	90 k.p.h.	... Type S411K

CARBURETTERS.

Messrs. Amalgamated Carburetters Ltd., Perry Barr, Birmingham.

Carburettor Settings (Type 261/001B)			
Main Jet	... 70	Needle Position	... 2nd notch from top

ENGINE



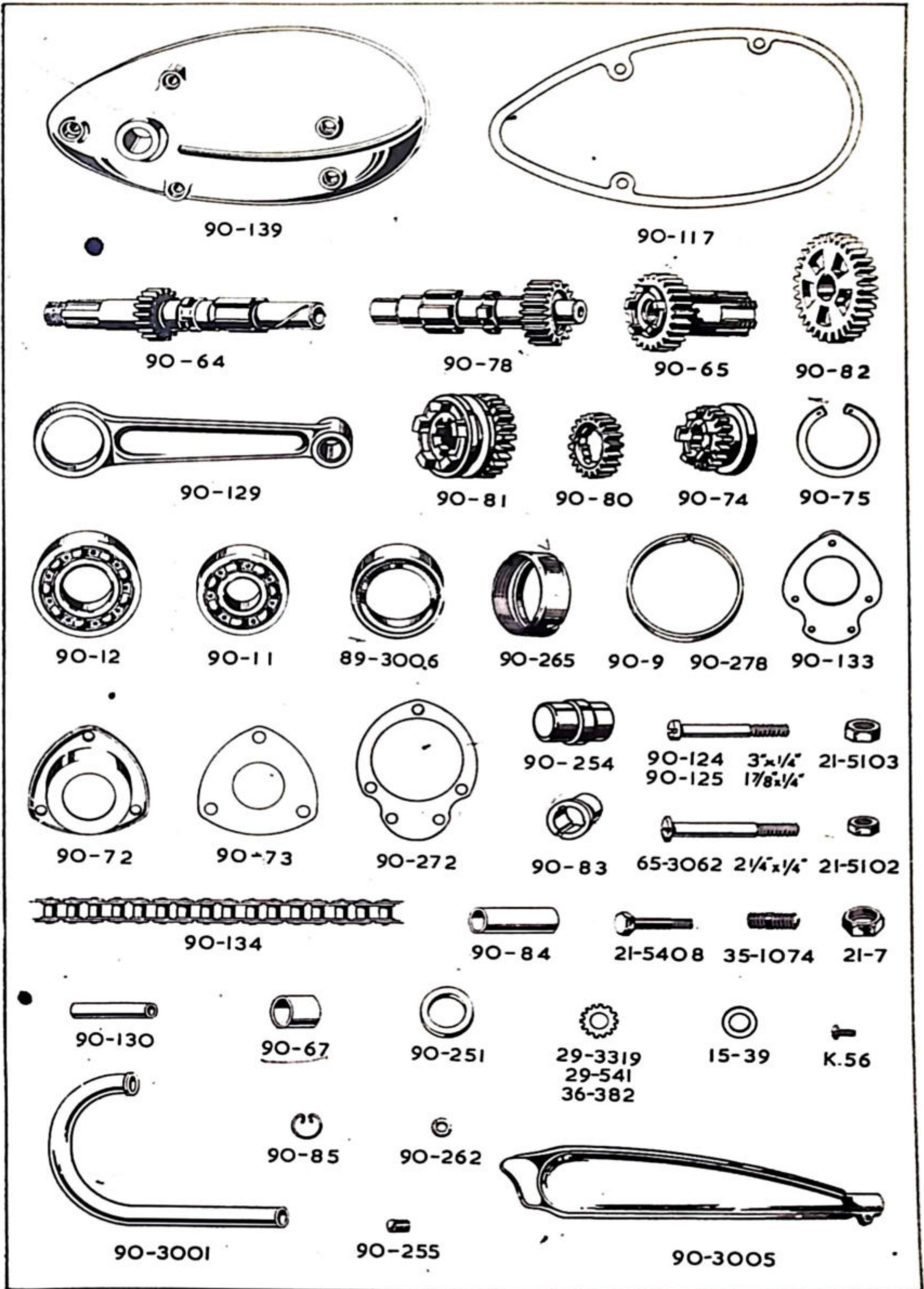
ENGINE—continued.

Description.	Part No.
Piston Ring	90-9(2)
Piston Ring (.020" oversize)	90-278(2)
Connecting Rod complete with gudgeon pin bush	90-129
Gudgeon Pin Bush	90-130
Gudgeon Pin... ..	90-84
Gudgeon Pin Circlip	90-85
Crankpin	90-254
Crankpin Roller	90-255(12)
Thrust Washer (big end)	90-251(2)
Primary Chain	90-134
Primary Chain Cover complete	90-139
Primary Chain Cover Washer (fibre)	90-262(5)
Primary Chain Cover Gasket	90-117
Primary Chain Cover Screw (long)	90-124(2)
Primary Chain Cover Screw (short)	90-125
Primary Chain Cover Screw	65-3062(2)
Carburetter	90-144
Exhaust Pipe	90-3001
Exhaust Pipe Union Nut	90-265
Exhaust Pipe Union Nut Washer	90-3002
Exhaust Pipe Seating Ring	90-3003
Silencer complete	90-3005
Silencer Clip Bolt	21-5408
Silencer Clip Bolt Nut	21-5102
Silencer Clip Bolt Washer (shakeproof)	29-541
Silencer Clip Bolt Washer (plain)	A176
Silencer Support Stud	35-1074
Silencer Support Stud Nut	21-5103
Silencer Support Stud Washer (shakeproof)	36-382

GEARBOX AND FITTINGS.

Gearbox Mainshaft	90-64
Mainshaft Primary Gear complete (25T)	90-65
Mainshaft Primary Gear Bush	90-67(2)
Mainshaft Thrust Plate Gasket	90-272
Mainshaft Oil Seal Housing Gasket	90-73
Mainshaft Oil Seal Housing Screw	K56(5)
Mainshaft Oil Seal Housing Washer (shakeproof)	29-3319(5)
Mainshaft Nut	21-7
Mainshaft Washer (plain)	15-39
Gearbox Mainshaft Bearing	90-11
Gearbox Mainshaft Bearing Circlip	90-75
Mainshaft Bearing Thrust Plate	90-133
Mainshaft Oil Seal	89-3006
Mainshaft Oil Seal Housing	90-72
Mainshaft Gear (22T)	90-74
Gearbox Sleeve Pinion Bearing	90-12
Layshaft complete with gear (19T)	90-78
Layshaft Gear only (19T)	90-80
Layshaft Bush	90-83(2)
Layshaft Gear (25T)	90-81
Layshaft Gear (32T)	90-82

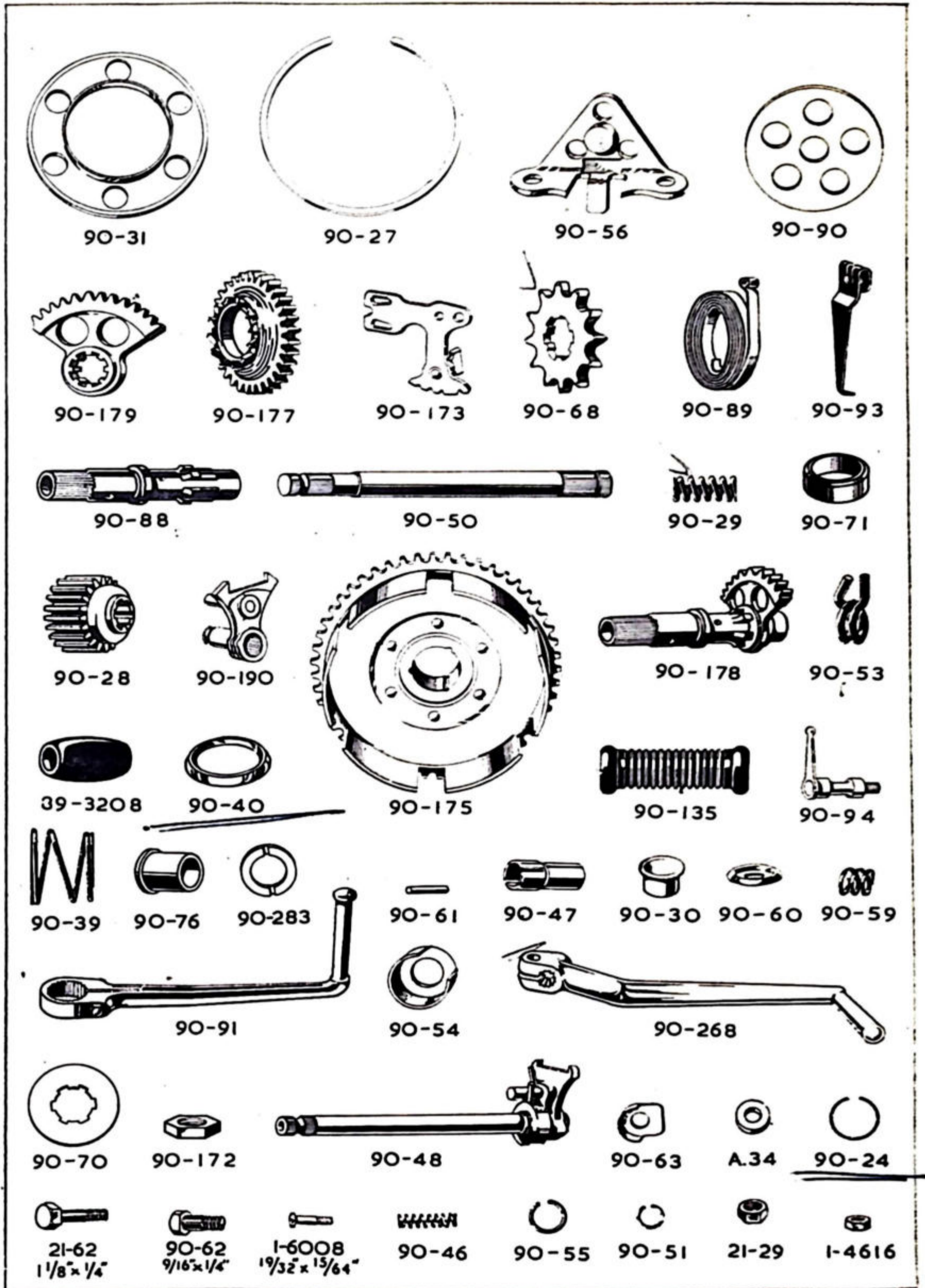
ENGINE AND GEARBOX



GEARBOX AND FITTINGS—continued.

Description.	Part No.
Gearbox Sprocket (15T)	90-68
Gearbox Sprocket Nut	90-172
Gearbox Sprocket Lockwasher	90-70
Gearbox Sprocket Distance Sleeve	90-71
Gear Selector Arm complete	90-173
Gear Selector Arm Spring	90-46
Gear Selector Arm Ball ($\frac{5}{16}$ " diam.)	90-241
Gear Selector Arm Bracket complete	90-56
Gear Selector Arm Retaining Spring	90-59
Gear Selector Arm Spring Cup	90-60(2)
Swivel Pin Peg	90-61
Gear Selector Arm Bracket Screw	90-62(2)
Gear Selector Arm Bracket Lockwasher	90-63(2)
Gear Selector Fork Sub-assembly	90-48
Gear Selector Fork and Peg complete	90-190
Gear Selector Fork Shaft	90-50
Gear Selector Fork Spring Ring	90-51
Gear Selector Fork Spring	90-53
Gear Selector Fork Spring Cup	90-54
Gear Selector Fork Spring Cup Ring	90-55
Gear Selector Arm Spring Socket	90-47
Gear Indicator Lever Spindle complete	90-94
Gear Indicator Lever	90-93
Gear Indicator Lever Bolt	1-6008
Gear Indicator Lever Nut	1-4616
Gear Change Lever	90-268
Gear Change Lever Rubber	89-3208
Kickstart Lever	90-91
Kickstart Lever Rubber	90-135
Kickstart and Gearchange Lever Bolt	21-62(2)
Kickstart and Gearchange Lever Bolt Washer	A34(2)
Kickstart and Gearchange Lever Bolt Nut	21-29(2)
Kickstart Quadrant complete	90-178
Kickstart Quadrant only	90-179
Kickstart Quadrant Spindle	90-88
Kickstart Quadrant Spring	90-89
Kickstart Quadrant Spring Plate	90-90
Kickstart Pinion	90-177
Kickstart Pinion Spring	90-39
Kickstart Pinion Spring Retainer	90-40
Clutch Chainwheel complete	90-175
Clutch Chainwheel Circlip	90-24
Clutch Casing Snap Ring	90-27
Clutch Hub	90-28
Clutch Spring	90-29(6)
Clutch Chainwheel Distance Bush	90-76
Clutch Spring Cup	90-30(6)
Clutch Chainwheel Thrust Washer	90-283
Clutch Spring Cup Plate	90-31

GEARBOX



GEARBOX AND FITTINGS—continued.

Description.	Part No.
Clutch Actuating Plate complete... ..	90-32
Clutch Driving Plate complete	90-34(3)
Clutch Driven Plate	90-37(2)
Clutch Push Rod (short)	90-98
Clutch Push Rod (long)	90-99
Clutch Push Rod Bush (rubber)	90-132
Clutch Operating Lever complete	90-180
Clutch Adjusting Screw	90-105
Clutch Adjusting Screw Locknut... ..	89-366
Clutch Operating Lever Cap	90-106
Clutch Operating Lever Spring	90-122
Clutch Operating Lever Bush	90-184
Clutch Push Rod Ball ($\frac{1}{4}$ " diam.)	89-5015
Gearbox Drain Plug	90-115
Gearbox Drain Plug Washer (fibre)	M552A

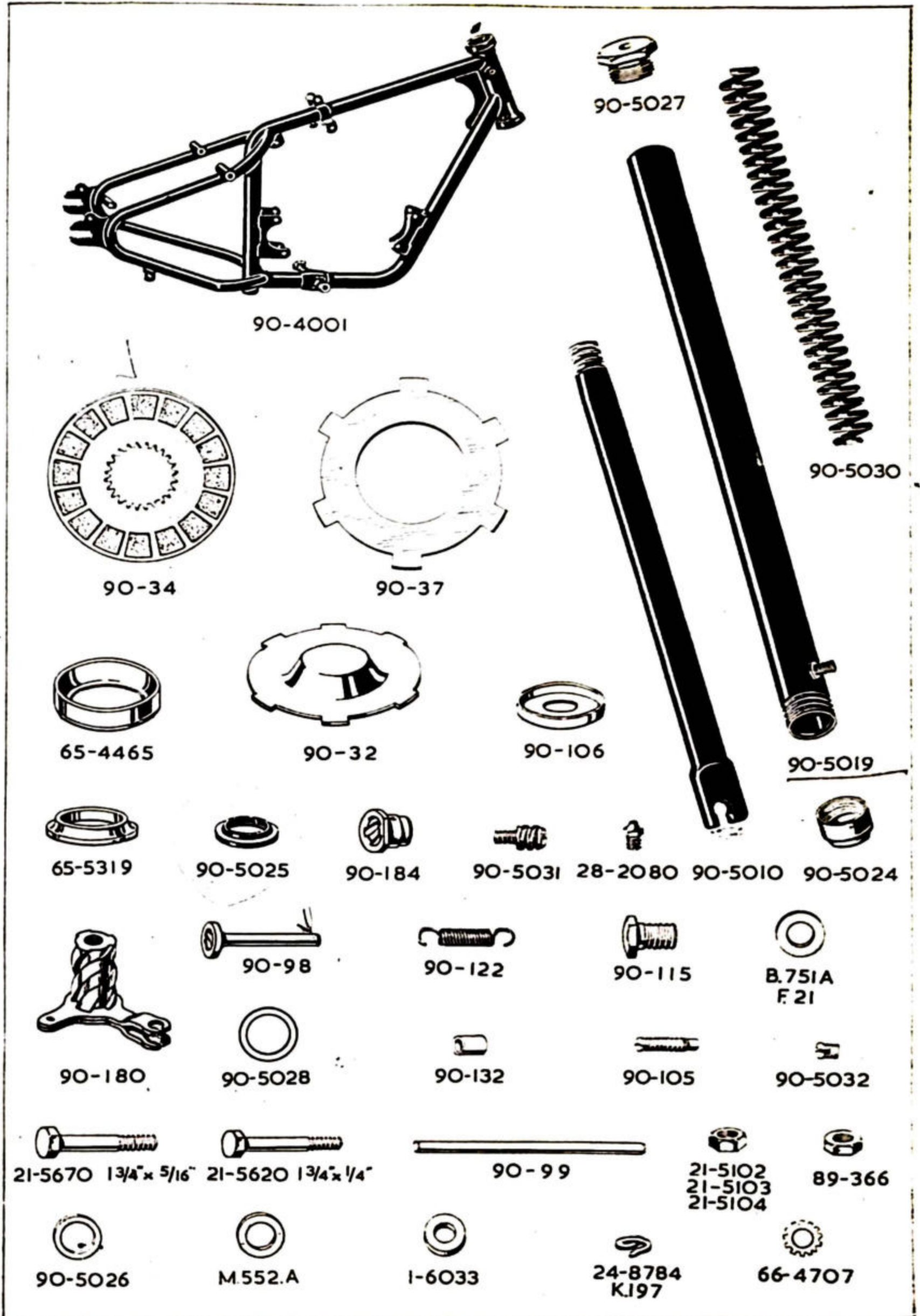
FRAME AND FITTINGS.

Frame complete	90-4001
Engine Mounting Bolt (top)	21-5670(2)
Engine Mounting Bolt Nut	21-5103(2)
Engine Mounting Bolt Washer (rear) (plain)	F21(4)
Engine Mounting Bolt Washer (spring)... ..	24-8784(2)
Engine Mounting Bolt (bottom)	21-5620(2)
Engine Mounting Bolt Nut	21-5102(2)
Engine Mounting Bolt Washer (plain)	B751A(4)
Engine Mounting Bolt Washer (spring)... ..	K197(2)
Ball Head Cup	65-4465(2)
Steering Head Ball Head Race Cone	65-5319(2)
Steering Head Balls (48)	$\frac{3}{16}$ " diam.

FRONT FORK AND FITTINGS.

Front Fork Outer Tube complete	90-5019(2)
Front Fork Sliding Tube complete	90-5010(2)
Fork Tube Gland Cover	90-5024(2)
Fork Tube Gland Wipers (rubber)	90-5025(4)
Fork Tube Gland Washer (felt)	90-5026(2)
Fork Tube Top Nut	90-5027(2)
Fork Tube Top Nut Washer (plain)	90-5028(2)
Fork Outer Tube Grease Nipple	28-2080(2)
Fork Outer Tube Greaser Washer	1-6033
Fork Outer Tube and Bush Grub Screw	90-5032(4)
Front Fork Spring	90-5030(2)
Fork Spring Top Scroll	90-5031(2)
Fork Spring Top Scroll Nut	21-5104(2)
Fork Spring Top Scroll Washer (shakeproof)	66-4707(2)

Gearbox, Frame and Fittings, Front Fork and Fittings



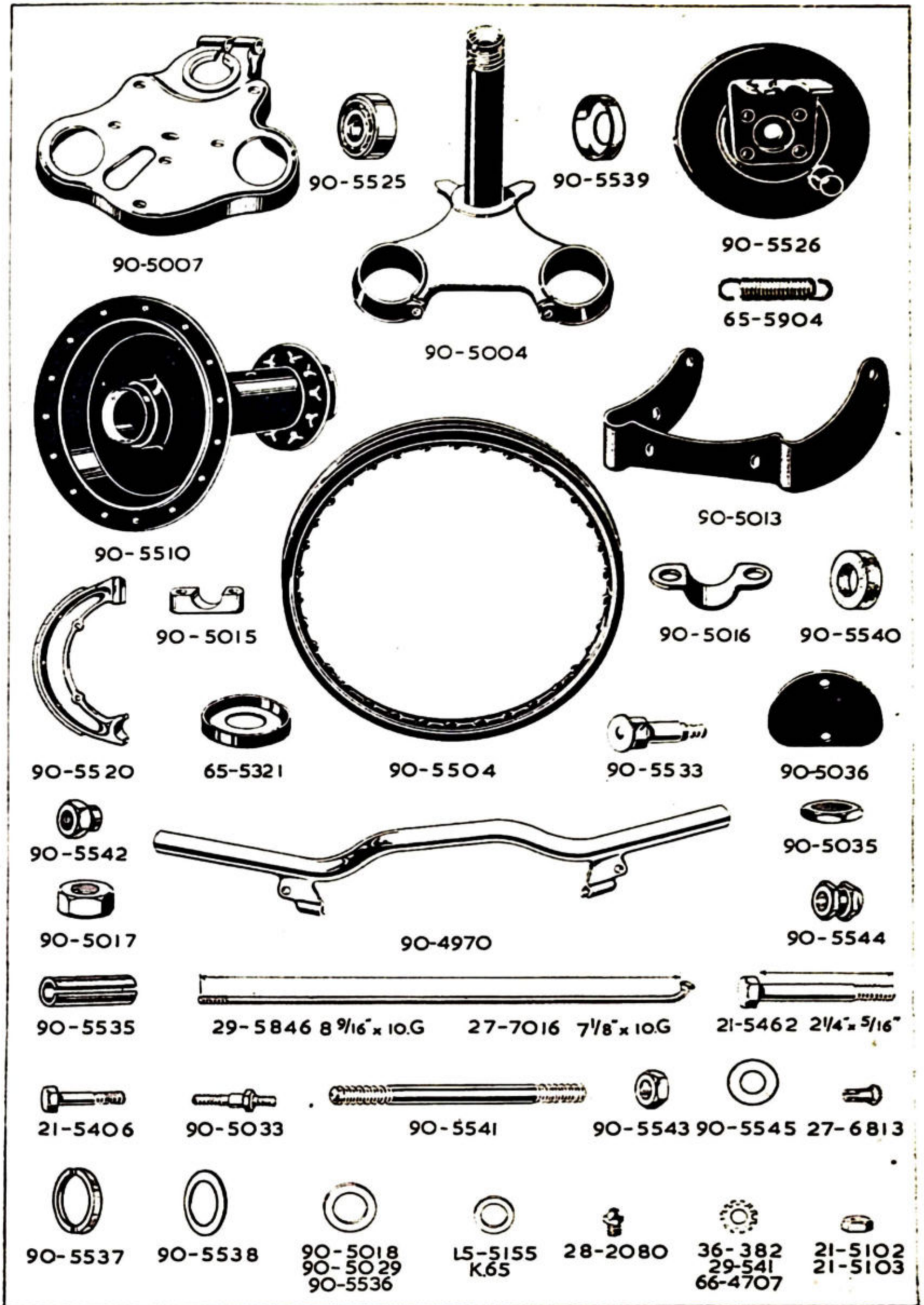
FRONT FORK AND FITTINGS—*continued.*

Description.	Part No
Headlamp Bracket	90-5013
Headlamp Bracket Stud Nut	21-5103(2)
Headlamp Bracket Washer (plain)	K65(4)
Headlamp Bracket Washer (shakeproof)	36-382(2)
Bottom Yoke complete	90-5004
Headlamp Bracket and Bottom Yoke Clamp Bolt	90-5033(2)
Top Yoke	90-5007
Top Yoke Plate (fitted only when Speedo head is removed)	90-5036
Top Yoke Plate Bolt	21-5401(2)
Top Yoke Plate Bolt Nut	21-5102(2)
Top Yoke Plate Bolt Washer	29-541(2)
Top Yoke Bolt	21-5462
Top Yoke Bolt Nut	21-5103
Top Yoke Bolt Washer	15-5155(2)
Top Yoke Seating Washer	90-5029(2)
Steering Head Dust Cap	65-5321
Steering Stem Nut	90-5017
Steering Stem Locknut	90-5035
Steering Stem Washer (plain)	90-5018
Handlebar Seating	90-5015(2)
Handlebar Clip	90-5016(2)
Handlebar Clip Bolt	21-5406(4)
Handlebar Clip Nut	21-5102(4)
Handlebar Clip Washer (shakeproof)	29-541(4)
Handlebar complete with clutch and front brake control body	90-4970

FRONT HUB AND WHEEL FITTINGS.

Front Wheel complete (less brake and tyre)	90-5500
Front Wheel Rim (WM1-19)	90-5504
Front Wheel Spoke (right-hand)	27-7016(18)
Front Wheel Spoke (left-hand)	29-5846(18)
Front Wheel Spoke Nipple	27-6813(36)
Front Hub Shell complete with bearings and spindle	90-5509
Front Hub Shell	90-5510
Hub Shell Grease Nipple	28-2080
Front Brake Cover Plate complete	90-5526
Brake Shoe complete with lining	90-5520(2)
Brake Shoe Lining	90-5522(2)
Brake Shoe Lining Rivets... ..	90-5523(14)
Brake Shoe Springs	65-5904(2)
Brake Cam complete	90-5533
Hub Bearing Distance Piece	90-5535
Front Hub Bearing Locating Washer	90-5536
Front Hub Bearing... ..	90-5525(2)
Hub Bearing Lockring	90-5537
Felt Retaining Washer	90-5538(2)
Felt Retaining Cup	90-5539(2)
Hub Washer (felt)	90-5540(2)
Front Hub Spindle	90-5541
Front Hub Spindle Nut	90-5542(2)
Front Hub Spindle Locknut	90-5543
Front Hub Cover Plate Locking Sleeve	90-5544
Front Hub Spindle Shim (.010")... ..	90-5545

Front Fork and Fittings, Front Hub and Wheel Fittings



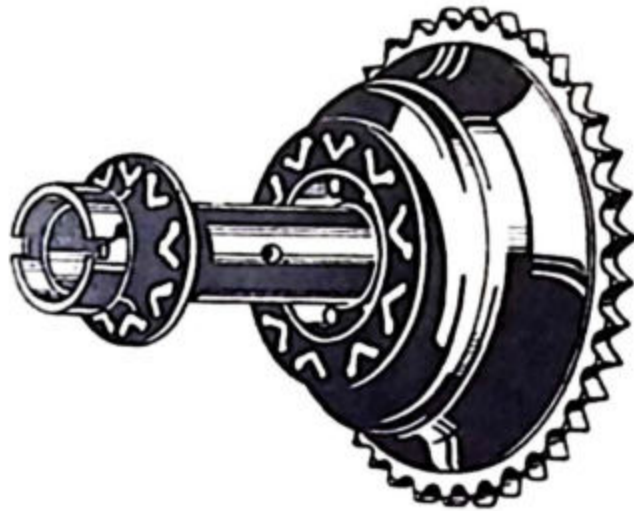
FRONT HUB AND WHEEL FITTINGS—*continued.*

Description.	Part No.
Brake Cam Bearing Oil Hole Cover	1-5325
Hub Bearing Locknut	90-5546(2)
Front Brake Operating Lever	90-5547
Front Brake Operating Lever Washer (plain)	15-5155
Front Brake Operating Lever Washer (shakeproof)	36-382
Front Brake Operating Lever Nut	21-5103
Front Brake Operating Lever Toggle	29-5871
Front Brake Operating Lever Screw	EB72
Front Brake Operating Lever Nut	EB102
Front Brake Operating Lever Washer (spring)	K197

REAR HUB AND WHEEL FITTINGS.

Rear Wheel complete (less tyre and brake)	90-6001
Rear Wheel Rim	90-5504
Rear Wheel Spoke (right-hand)	29-5846(18)
Rear Wheel Spoke (left-hand)	15-7072(18)
Rear Wheel Spoke Nipple... ..	27-6813(36)
Rear Hub Shell complete with bearings and spindle	90-6009
Rear Hub Shell	90-6010
Rear Hub Grease Nipple	28-2080
Rear Hub Cover Plate complete	90-6020
Cover Plate Locking Sleeve	90-5544
Rear Brake Shoe complete, with lining	90-5520(2)
Rear Brake Shoe Lining	90-5522(2)
Rear Brake Shoe Lining Rivets	90-5523(14)
Rear Brake Shoe Spring	65-5904(2)
Rear Brake Cam complete	90-5533
Rear Hub Bearing Distance Piece	90-6022
Hub Bearing Thrust Washer	90-5536
Rear Hub Bearing	90-5525(2)
Rear Hub Barrel Cap (used only when Speedo is not fitted)	90-6029
Hub Bearing Lockring	90-5537
Felt Retaining Washer	90-5538(2)
Felt Retaining Cup	90-5539(2)
Hub Washer (felt)	90-5540(2)
Rear Hub Spindle	90-6023
Rear Hub Spindle Nut	90-5542(2)
Rear Hub Spindle Locknut	90-5543(2)
Hub Bearing Locknut	90-5546(2)
Speedometer Drive	90-6024
Speedometer Drive Washer (plain)	M101A
Rear Chain Adjuster Bolt	90-6025(2)
Rear Chain Adjuster Bolt Cap	90-6027
Rear Chain Adjuster Bolt Nut	1-4754(2)
Rear Brake Operating Lever	90-6026
Rear Brake Operating Lever Nut ($\frac{1}{8}$ ")	21-5103
Rear Brake Operating Lever Washer (plain)	15-5155
Rear Brake Operating Lever Washer (shakeproof)	36-382

FRONT AND REAR HUB AND WHEEL FITTINGS



90-6010



28-2080



27-6813



90-5504



15-7072 8 1/4" x 10G 29-5846 8 9/16" x 10G



90-6022



90-6025



65-5904



90-5533



90-6023



90-5520



90-6026



90-6020



90-5547



90-6024



90-6029



90-5539



90-5525



90-5536



90-5540



90-5537



90-5538



M.101.A



29-5871



90-5544



90-5542



90-5522



90-5546



21-5103
90-5543
EB102



15-5155



36-382



K197



EB72



1-4754



90-6027

FRONT MUDGUARD AND FITTINGS.

Description.	Part No.
Front Mudguard	90-6501
Front Mudguard Stays	90-6504(2)
Front Mudguard and Stays Screw	21-6172(4)
Front Mudguard and Stays Nut	21-5202(4)
Front Mudguard and Stays Washer (plain)	27-8560(8)
Front Mudguard and Stays Washer (shakeproof)	29-541(4)
Front Mudguard Stays Nut	21-5203(2)
Front Mudguard Stays Washer (spring)	27-6043(2)
Front Mudguard Stays Washer (shakeproof)	36-382(2)
Front Mudguard Support Clip	90-6505(2)
Front Mudguard Support Clip Screw	21-6179(2)
Front Mudguard Support Clip Nut	21-5103(2)
Front Mudguard Support Clip Washer (shakeproof)	36-382(2)
Front Mudguard Support Clip Washer (plain)	31-424(2)

REAR MUDGUARD AND FITTINGS.

Rear Mudguard, with fixed fittings	90-6753
Rear Mudguard Stay (offside)	90-6755
Rear Mudguard Stay (nearside)	90-6756
Mudguard Stay Bolt (chainstay)	21-5452(2)
Mudguard Stay Bolt Nut	21-5103(2)
Mudguard Stay Bolt Washer (shakeproof) (chainstay end)	36-382(2)
Mudguard Fixing Bolt (front)	21-5409
Mudguard Fixing Bolt Nut	21-5102
Mudguard Fixing Bolt Washer (spring)	K197
Mudguard Stay Fixing Bolt (rear)	21-5401(2)
Mudguard Stay Fixing Bolt Nut	21-5102(2)
Mudguard Stay Fixing Bolt Washer (spring)	K197(2)
Mudguard and Saddle Fixing Bolt	21-5462(2)
Mudguard and Saddle Fixing Bolt Nut	21-5103(2)
Mudguard and Saddle Fixing Bolt Washer (plain)	F21(4)
Mudguard and Saddle Fixing Bolt Washer (shakeproof)	36-382(2)
Rear Number Plate complete	90-6761
Rear Number Plate Fixing Screw (top)	21-6173(2)
Rear Number Plate Fixing Screw Nut	21-5102(2)
Rear Number Plate Fixing Screw Washer (spring)	K197(2)
Rear Number Plate Fixing Screw (bottom)	21-6175
Rear Number Plate Fixing Screw Nut	21-5102
Rear Number Plate Fixing Screw Washer (spring)	K197
Rear Number Plate Fixing Screw Washer (rubber)	15-7383

CARRIER, CENTRAL STAND, FOOTRESTS.

CARRIER.

Carrier complete	90-6801
Carrier Fixing Screw	21-6173(2)
Carrier Fixing Screw Nut	21-5102(2)
Carrier Fixing Screw Washer (plain)	27-8560(2)
Carrier Fixing Screw Washer (spring)	K197(2)

Front and Rear Mudguard and Fittings, Carrier, Central Stand, Footrests



90-6501



90-6753



21-6179



90-6504



27-6043



90-6801



90-6756



90-6755



90-6761



90-6505



21-5462 2 1/4" x 5/16"



21-5409 1 1/2" x 1/4"



21-5452 5/8" x 5/16"



21-5401 1/2" x 1/4"



21-6172



21-6175



21-6173



15-7383



21-5103
21-5202



21-5102
21-5203



29-541
36-382



K.197



27-8560
31-424
F21

CARRIER, CENTRAL STAND, FOOTRESTS—*continued.*

CENTRAL STAND.

Description.	Part No.
Central Stand complete	90-4701
Central Stand and Brake Pedal Stop Plate	90-4707
Central Stand and Brake Pedal Pivot Sleeve	90-4708(2)
Central Stand Spring Clip	90-4709
Central Stand Spring Clip Support Plate	90-4710
Central Stand Spring Clip Bolt	21-5401(2)
Central Stand Spring Clip Bolt Nut	21-5102(2)
Central Stand Spring Clip Bolt Washer (spring)	K197(2)
Central Stand and Brake Pedal Stop Plate Bolt	21-5452(2)
Central Stand and Brake Pedal Stop Plate Washer (shakeproof)	36-382(2)

FOOTRESTS.

Footrest Rod	90-4802
Footrest Rod Nut	21-5106(2)
Footrest Rod Washer (spring)	N584(2)
Footrest Rod Distance Tube	90-4806(2)
Footrest Rubber	90-4805(2)
Footrest Rubber Locating Washer (inside)	B905(2)
Footrest Rubber Locating Washer (outside)	24-5914(2)

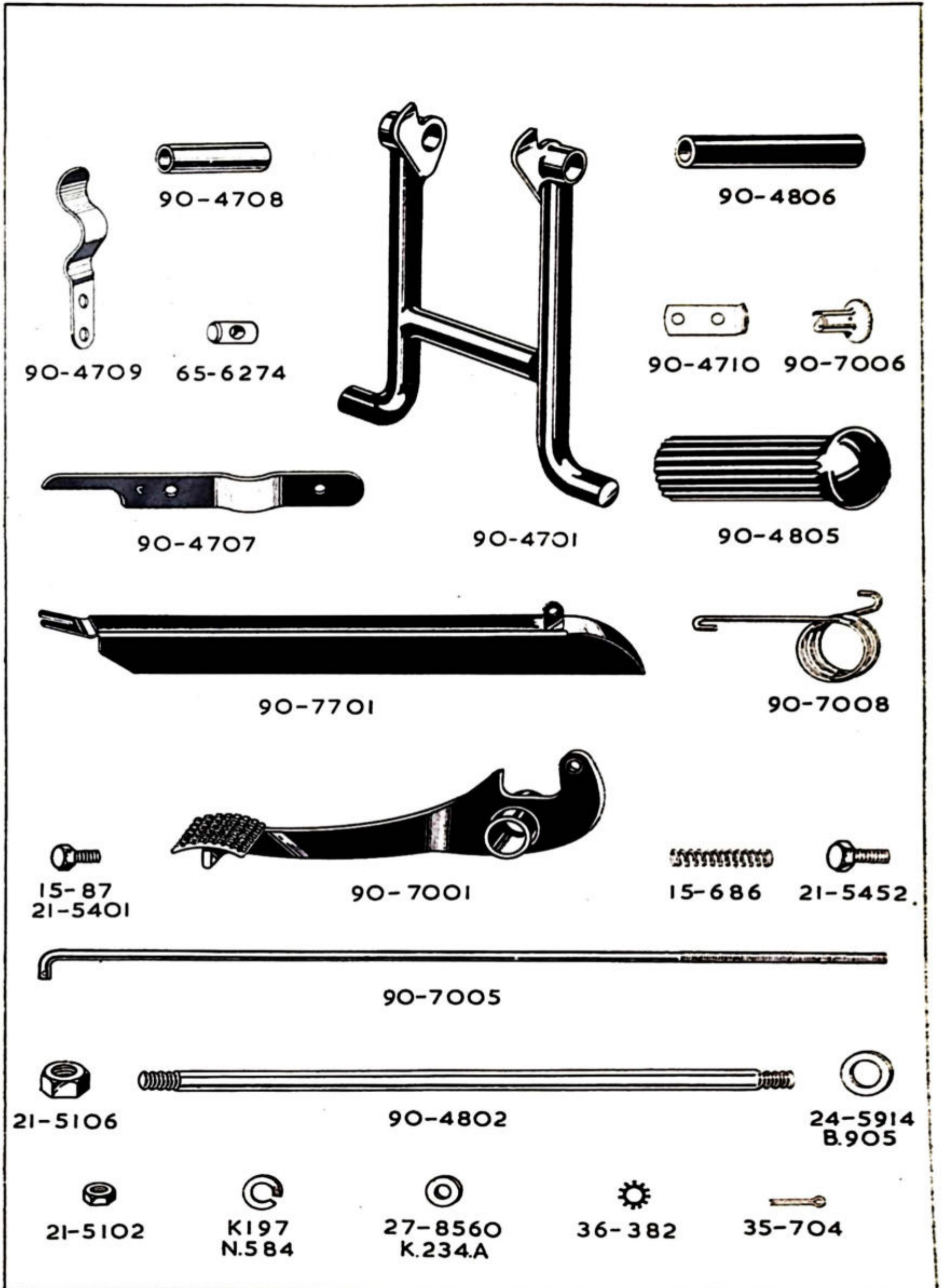
REAR BRAKE CONTROL.

Rear Brake Pedal complete	90-7001
Rear Brake Pedal Return Spring	90-7008
Rear Brake Rod	90-7005
Rear Brake Rod Nut	21-5102
Rear Brake Rod Spring	15-686
Rear Brake Rod Washer (plain)	K234A
Rear Brake Pedal Split Pin	35-704
Rear Brake Lever Swivel Pin	65-6274
Rear Brake Adjuster Nut	90-7006

REAR CHAINGUARD.

Rear Chainguard complete	90-7701
Rear Chainguard Fixing Bolt (front)	15-87
Rear Chainguard Fixing Bolt Washer (plain)	27-8560
Rear Chainguard Fixing Bolt Washer (spring)	K197
Rear Chainguard Fixing Bolt (rear)	21-5401
Rear Chainguard Fixing Bolt Nut	21-5102
Rear Chainguard Fixing Bolt Washer (spring)	K197

Carrier, Central Stand, Footrests, Rear Brake Control, Rear Chainguard



PETROL TANK AND FITTINGS.

Description.	Part No.
Petrol Tank	90-8001
Petrol Tank Filler Cap and Oil Measure	90-8006
Petrol Tank Fixing Bolt (front)	21-5452(2)
Petrol Tank Fixing Bolt Washer (plain) (front)	F21(2)
Petrol Tank Fixing Bolt Washer (spring)	24-8784(2)
Petrol Tank Fixing Bolt (rear)	21-5466
Petrol Tank Fixing Bolt Nut	21-5103
Petrol Tank Fixing Bolt Washer (plain) (rear)	F21(2)
Petrol Tank Fixing Bolt Washer (spring)	24-8784
Petrol Tank Fixing Distance Tube	90-8010
Petrol Tap	27-8552
Petrol Tap Washer (fibre)	EB242(2)
Petrol Filter complete	27-8436
Petrol Filter Washer (fibre)	24-8504
Petrol Pipe complete	90-8012

HANDLEBAR CONTROLS.

FRONT BRAKE CONTROL.

Front Brake Control Lever	29-8812
Front Brake Control Lever Screw	29-8813
Front Brake Control Lever Nut	29-8814
Front Brake Control Lever Locking Washer	29-8818
Front Brake Control Body Ferrule	90-8506
Front Brake Cable and Cover complete	90-8520
Front Brake Cable	90-8521
Front Brake Cable Cover	90-8522
Front Brake Cable Nipple	66-8747
Front Brake Cable Nipple (bottom)	27-9330
Front Brake Cable Cover Cap	27-9353(2)
Front Brake Cable Adjusting Screw complete	25-9360
Front Brake Cable Adjusting Screw Locknut	25-9365
Front Brake Cable Clip (rubber)	66-9049

CLUTCH CONTROL.

Clutch Control Lever	29-8832
Clutch Control Lever Screw	29-8813
Clutch Control Lever Nut	29-8814
Clutch Control Lever Locking Washer...	29-8818
Clutch Control Body Ferrule	90-8506
Clutch Control Lever Nipple	66-8747
Clutch Control Cable Nipple (gearbox end)	90-8503
Clutch Control Cable and Cover complete	90-8510
Clutch Control Cable	90-8511
Clutch Control Cable Cover	29-8829
Cable Cover Cap	27-9353(2)
Clutch Cable Clip	66-9049(2)

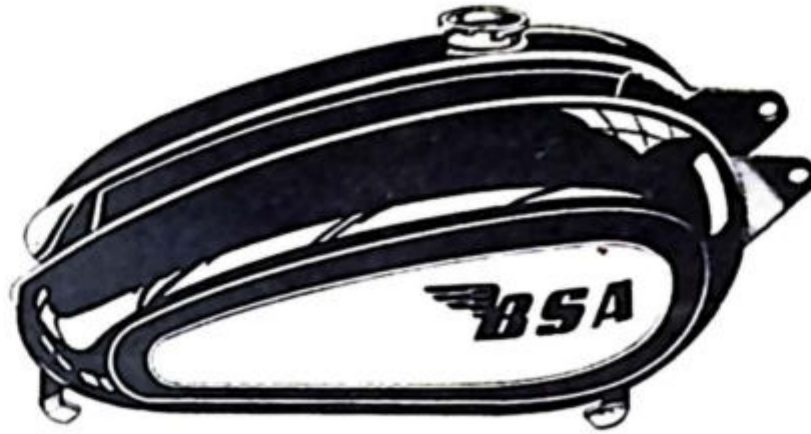
Petrol Tank and Fittings, Handlebar Controls



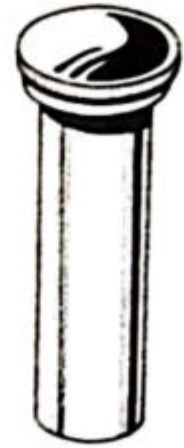
27-8436



27-8552



90-8001



90-8006



29-8832



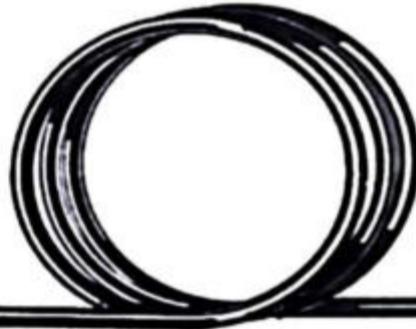
90-8012



29-8812



66-9049



90-8010



25-9360



24-8504



29-8813



29-8829 41"

90-8522 28 3/4"



90-8506



25-9365



21-5466 3 1/4 x 5/16"



21-5452



27-9353



90-8503



66-8747



27-9330



EB242



F21



24-8784



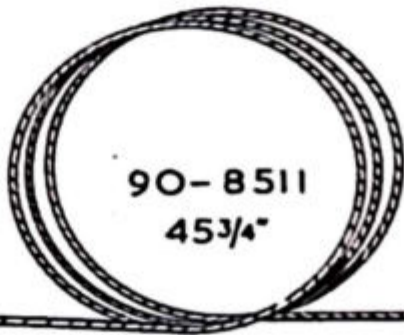
29-8818



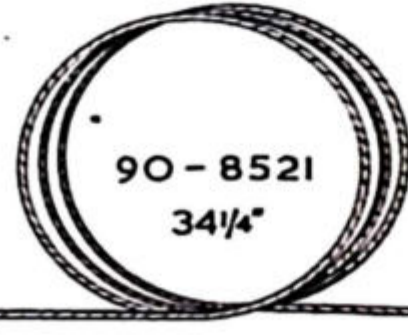
21-5103



29-8814



90-8511
45 3/4"



90-8521
34 1/4"

HANDLEBAR CONTROLS—continued.

THROTTLE TWIST GRIP.

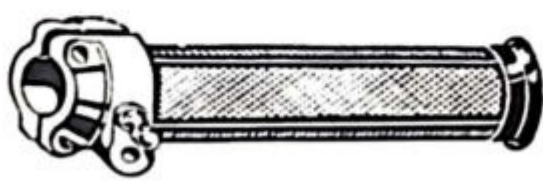
Description.	Part No.
Throttle Twist Grip Control (less cable and cover)	65-8501
Twist Grip Rubber Grip	65-8503
Inner Sleeve and Rotor	65-8504
Twist Grip Body (top half)	65-8505
Twist Grip Body (bottom half)	65-8506
Friction Spring	24-9569
Friction Screw	24-9570
Friction Screw Locknut	24-9571
Cable Stop	24-9572
Body Screw	24-9573(2)
Rubber Grip for left-hand bar	65-8502
Twist Grip Cable and Cover complete	90-8515
Twist Grip Cable Cover	24-9511
Twist Grip Cable	90-8516

TOOLBOX.

TOOLS AND SUNDRIES.

Toolbox complete with lid	90-9002
Toolbox Lid Fixing Nut	89-4310(2)
Toolbox Lid Retaining Circlip	89-4311(2)
Toolbox Fixing Bolt	21-5401
Toolbox Fixing Bolt Nut	21-5102
Toolbox Fixing Bolt Washer (plain)	27-8560
Toolbox Fixing Bolt Washer (spring)	K197
Toolbag, complete with tools	90-9012
Toolbag only	90-9013
Sparking Plug Spanner complete	66-9132
Double-ended Spanner (B.S.A.)	EB259
Box Spanner	65-9115
Box Spanner (carburetter)	90-9022
Exhaust Pipe Union Nut Spanner	90-9016
Screwdriver Attachment	66-9038
Combination Spanner	29-9254
Tommy Bar	29-9253
Grease Gun	28-4265
Tyre Lever	90-9018
Saddle	90-9001
Inflator	90-9010
Licence Holder	29-9221
Licence Holder Bolt	21-5401
Licence Holder Bolt Nut	21-5102
Licence Holder Bolt Washer	K197
Transmission Chain (116 links)	90-9015
Tail Lamp Screw	65-5912(3)
Tail Lamp Screw Nut	C2-158(3)
Speedometer Head (D type, lightweight)	£4-11
Speedometer Cable	90-9020
Bulb Horn Unit	90-9011
Headlamp complete	(Wico Pacy Ref. No. 1-58)
Tail Lamp complete	(Wico Pacy Ref. No. 1-59)
Cable Harness Clip (rubber)	66-9049
Tail Lamp Cable Clip (rubber)	90-9024(2)

Handlebar Controls, Tools and Sundries



65-8501



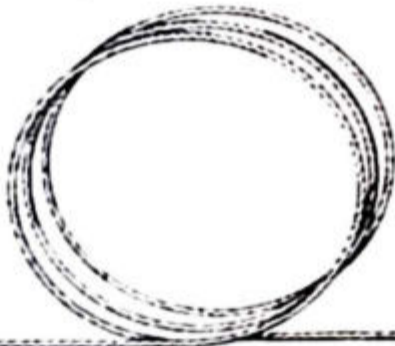
65-8505



65-8506



65-8502 65-8503



90-8516 39 1/2"



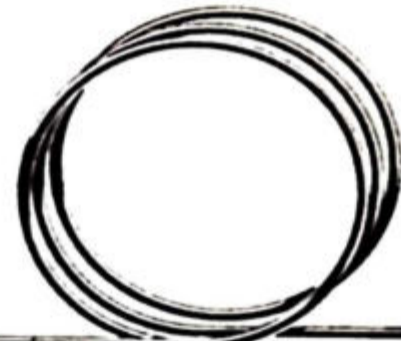
65-5912



29-9221



21-5401



24-9511 36"



24-9572



66-9038



C2-158



27-8560



65-85C4



24-9569



K197



89-4311



29-9253



28-4265



90-9016



90-9002



29-9254



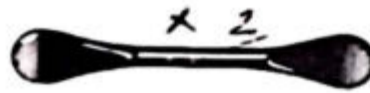
EB259



90-9022



65-9115



90-9018



89-4310



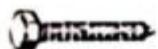
66-9132



90-9024 66-9049



90-9015



24-9570



90-9010



24-9573



24-9571



90-9020 45 1/2"



21-5102

NUMERICAL INDEX.

Part No.	Price		DESCRIPTION.	Page	Page
	£	s. d.		illustrated.	described.
1-4616	...		Gear indicator lever bolt nut ...	17	16
1-4754	...		Rear chain adjuster bolt nut ...	23	22
1-5325	...		Front brake cam bearing oil hole cover <i>not illust'd</i> ...		22
1-6008	...		Gear indicator lever bolt ...	17	16
1-6033	...		Fork outer tube greaser washer...	19	18
15-39	...		Mainshaft washer (plain) ...	15	14
15-87	...		Rear chain guard fixing bolt (front)	27	26
15-686	...		Rear brake rod spring ...	27	26
15-5155	...		Top yoke bolt washer ...	21	20
15-5155	...		Front brake operating lever washer	23	22
15-5155	...		Rear brake operating lever washer	23	22
15-7072	...		Rear wheel spoke (left-hand) ...	23	22
15-7383	...		Rear number plate fixing screw washer (rubber)	25	24
21-4	...		Cylinder barrel stud nut ...	11	10
21-7	...		Crankshaft nut	13	12
21-7	...		Crankshaft sprocket nut	13	12
21-7	...		Mainshaft nut	15	14
21-29	...		Kickstart and gearchange lever bolt nut	17	16
21-62	...		Kickstart and gearchange lever bolt	17	16
21-5102	...		Nut ($\frac{1}{4}$ in.)		<i>various</i>
21-5103	...		Nut ($\frac{5}{16}$ in.)		<i>various</i>
21-5104	...		Fork spring top scroll nut ...	19	18
21-5106	...		Footrest rod nut	27	26
21-5202	...		Front mudguard and stay screw nut	25	24
21-5203	...		Front mudguard stay nut ...	25	24
21-5401	...		Top yoke plate bolt	25	20
21-5401	...		Rear mudguard stay fixing bolt (rear)	25	24
21-5401	...		Central stand spring clip bolt ...	27	26
21-5401	...		Rear chainguard fixing bolt (rear)	27	26
21-5401	...		Toolbox fixing bolt	31	30
21-5401	...		Licence holder bolt	31	30
21-5406	...		Handlebar clip bolt	21	20
21-5408	...		Silencer clip bolt	15	14
21-5409	...		Rear mudguard fixing bolt (front)	25	24
21-5452	...		Rear mudguard stay bolt (chain- stay)	25	24
21-5452	...		Central stand and brake pedal stop plate bolt	27	26
21-5452	...		Petrol tank fixing bolt (front) ...	29	28
21-5462	...		Mudguard and saddle fixing bolt	25	24
21-5462	...		Top yoke bolt	21	20
21-5466	...		Petrol tank fixing bolt (rear) ...	29	28
21-5620	...		Engine mounting bolt (bottom)...	19	18
21-5670	...		Engine mounting bolt (top) ...	19	18

Part No.	Price. £ s. d.	DESCRIPTION.	Page illustrated.	Page described.
21-6172 ...		Front mudguard and stays screw	25	24
21-6173 ...		Rear number plate fixing screw (top)	25	24
21-6173 ...		Carrier fixing screw	25	24
21-6175 ...		Rear number plate fixing screw (bottom)	25	24
21-6179 ...		Front mudguard support clip screw	25	24
24-978 ...		Crankcase fixing screw washer (spring)	11	10
24-5914 ...		Footrest rubber locating washer (outside)	27	26
24-8504 ...		Petrol filter washer (fibre) ...	29	28
24-8784 ...		Washer (spring)		<i>various</i>
24-9511 ...		Throttle twist grip cable cover ...	31	30
24-9569 ...		Twist grip friction spring... ..	31	30
24-9570 ...		Twist grip friction screw	31	30
24-9571 ...		Twist grip friction screw locknut	31	30
24-9572 ...		Twist grip cable stop	31	30
24-9573 ...		Twist grip body screw	31	30
25-9360 ...		Front brake cable adjusting screw complete	29	28
25-9365 ...		Front brake cable adjusting screw locknut	29	28
27-6043 ...		Front mudguard stay nut washer (spring)	25	24
27-6813 ...		Front wheel spoke nipple ...	21	20
27-6813 ...		Rear wheel spoke nipple	23	22
27-7016 ...		Front wheel spoke (right-hand) ...	21	20
27-8436 ...		Petrol filter complete	29	28
27-8552 ...		Petrol tap	29	28
27-8560 ...		Washer (plain)		<i>various</i>
27-9330 ...		Front brake cable nipple (bottom)	29	28
27-9353 ...		Front brake cable cover cap ...	29	28
27-9353 ...		Clutch cable cover cap	29	28
28-2080 ...		Fork outer tube grease nipple ...	19	18
28-2080- ...		Front hub grease nipple	21	20
28-2080 ...		Rear hub grease nipple	23	22
28-2080 ...		Crankcase cover grease nipple (nearside)	11	10
28-4265 ...		Grease gun	31	30
29-541 ...		Washer (shakeproof)		<i>various</i>
29-3319 ...		Mainshaft oil seal housing washer	15	14
29-5846 ...		Rear wheel spoke (right-hand) ...	23	22
29-5846 ...		Front wheel spoke (left-hand) ...	21	20
29-5871 ...		Front brake operating lever toggle	23	22
29-8812 ...		Front brake control lever ...	29	28
29-8813 ...		Front brake control lever screw	29	28
29-8813 ...		Clutch control lever screw ...	29	28
29-8814 ...		Front brake control lever screw nut	29	28

NUMERICAL INDEX—continued.

Part No.	Price. £ s. d.	DESCRIPTION.	Page illustrated.	Page described.
29-8814 ...		Clutch control lever screw nut ...	29	28
29-8818 ...		Front brake control lever locking washer	29	28
29-8818 ...		Clutch control lever locking washer	29	28
29-8829 ...		Clutch control cable cover ...	29	28
29-8832 ...		Clutch control lever	29	28
29-9221 ...		Licence holder	31	30
29-9253 ...		Tommy bar	31	30
29-9254 ...		Combination spanner	31	30
31-424 ...		Front mudguard support clip washer	25	24
35-704 ...		Rear brake pedal split pin ...	27	26
35-1074 ...		Silencer support stud	15	14
35-1896 ...		Crankshaft sprocket key	13	12
36-382 ...		Washer (shakeproof)	<i>various</i>	
65-112 ...		Sparking plug	11	10
65-2158 ...		Crankcase fixing screw (short) ...	11	10
65-2158 ...		Flywheel magneto fixing screw ...	13	12
65-3062 ...		Primary chain cover screw ...	15	14
65-4465 ...		Ball head cup	19	18
65-5319 ...		Steering head ballrace cone ...	19	18
65-5321 ...		Steering head dust cap	21	20
65-5904 ...		Front brake shoe spring	21	20
65-5904 ...		Rear brake shoe spring	23	22
65-5912 ...		Tail lamp screw	31	30
65-6274 ...		Rear brake lever swivel pin ...	27	26
65-8501 ...		Throttle twist grip control less cable and cover	31	30
65-8502 ...		Rubber grip for left-hand bar ...	31	30
65-8503 ...		Twist grip rubber grip	31	30
65-8504 ...		Twist grip inner sleeve and rotor	31	30
65-8505 ...		Twist grip body (top half) ...	31	30
65-8506 ...		Twist grip body (bottom half) ...	31	30
65 9115 ...		Box spanner	31	30
66-102 ...		Sparking plug washer	11	10
66-4707 ...		Fork spring top scroll washer (shakeproof)	19 21	18 20
66-8747 ...		Front brake cable nipple ...	29	28
66-8747 ...		Clutch control lever nipple ...	29	28
66-9038 ...		Screwdriver attachment	31	30
66-9049 ...		Front brake cable clip (rubber)...	29	28
66-9049 ...		Clutch cable clip (rubber) ...	29	28
66-9049 ...		Cable harness clip (rubber) ...	31	30
66-9132 ...		Sparking plug spanner complete...	31	30
89-149 ...		Flywheel magneto key	13	12
89-366 ...		Clutch adjusting screw locknut ...	19	18
89-3006 ...		Mainshaft oil seal	15	14
89-3023 ...		Crankshaft bearing	13	12
89-3208 ...		Gearchange lever rubber	17	16

NUMERICAL INDEX—continued.

Part No.	Price.			DESCRIPTION.	Page	
	£	s.	d.		illustrated.	described.
89-4310	...			Toolbox lid fixing nut	31	30
89-4311	...			Toolbox lid fixing nut retaining		
89-5015	...			circlip	31	30
				Clutch push rod ball ($\frac{1}{4}$ in. diam.) <i>not illust'd</i> ...		18
90-1	...			Cylinder barrel	11	10
90-2	...			Cylinder head	11	10
90-9	...			Piston ring	15	14
90-10	...			Crankshaft bearing... ..	13	12
90-11	...			Gearbox mainshaft bearing ...	15	14
90-12	...			Gearbox sleeve pinion bearing ...	15	14
90-15	...			Flywheel spindle (offside) ...	13	12
90-24	...			Clutch chainwheel circlip	17	16
90-27	...			Clutch casing snap ring	17	16
90-28	...			Clutch hub	17	16
90-29	...			Clutch spring	17	16
90-30	...			Clutch spring cup	17	16
90-31	...			Clutch spring cup plate	17	16
90-32	...			Clutch actuating plate complete...	19	18
90-34	...			Clutch driving plate complete ...	19	18
90-37	...			Clutch driven plate	19	18
90-39	...			Kickstart pinion spring	17	16
90-40	...			Kickstart pinion spring retainer...	17	16
90-46	...			Gear selector arm spring	17	16
90-47	...			Gear selector arm spring socket	17	16
90-48	...			Gear selector fork (sub-assembled)	17	16
90-50	...			Gear selector fork shaft	17	16
90-51	...			Gear selector fork spring ring ...	17	16
90-53	...			Gear selector fork spring	17	16
90-54	...			Gear selector fork spring cup ...	17	16
90-55	...			Gear selector fork spring cup ring	17	16
90-56	...			Gear selector arm bracket complete	17	16
90-59	...			Gear selector arm retaining spring	17	16
90-60	...			Gear selector arm spring cup ...	17	16
90-61	...			Gear selector arm swivel pin peg	17	16
90-62	...			Gear selector arm bracket screw	17	16
90-63	...			Gear selector arm bracket screw		
				lockwasher	17	16
90-64	...			Gearbox mainshaft... ..	15	14
90-65	...			Mainshaft primary gear complete	15	14
90-67	...			Mainshaft primary gear bush ...	15	14
90-68	...			Gearbox sprocket (15T)	17	16
90-70	...			Gearbox sprocket nut lockwasher	17	16
90-71	...			Gearbox sprocket distance sleeve	17	16
90-72	...			Mainshaft oil seal housing ...	15	14
90-73	...			Mainshaft oil seal housing gasket	15	14
90-74	...			Mainshaft gear (22T)	15	14

NUMERICAL INDEX—continued.

Part No.	Price. £ s. d.	DESCRIPTION.	Page illustrated.	Page described.
90-75	...	Gearbox mainshaft bearing circlip	15	14
90-76	...	Clutch chainwheel distance bush...	17	16
90-78	...	Layshaft complete	15	14
90-80	...	Layshaft gear (19T)	15	14
90-81	...	Layshaft gear (25T)	15	14
90-82	...	Layshaft gear (32T)	15	14
90-83	...	Layshaft bush	15	14
90-84	...	Gudgeon pin	15	14
90-85	...	Gudgeon pin circlip	15	14
90-88	...	Kickstart quadrant spindle	17	16
90-89	...	Kickstart quadrant spring	17	16
90-90	...	Kickstart quadrant spring plate	17	16
90-91	...	Kickstart lever	17	16
90-93	...	Gear indicator lever	17	16
90-94	...	Gear indicator lever spindle com- plete	17	16
90-98	...	Clutch push rod (short)	19	18
90-99	...	Clutch push rod (long)	19	18
90-105	...	Clutch adjusting screw	19	18
90-106	...	Clutch operating lever cap	19	18
90-109	...	Crankcase dowel bush	11	10
90-111	...	Cylinder barrel stud	11	10
90-112	...	Dipstick complete	11	10
90-115	...	Gearbox drain plug	19	18
90-116	...	Crankshaft oil seal bush	13	12
90-117	...	Primary chain cover gasket	15	14
90-120	...	Crankshaft sprocket	13	12
90-121	...	Crankshaft sprocket lockwasher	13	12
90-122	...	Clutch operating lever spring	19	18
90-123	...	Piston ring peg	13	12
90-124	...	Primary chain cover screw (long)	15	14
90-125	...	Primary chain cover screw (short)	15	14
90-125	...	Crankcase cover screw (nearside)	11	10
90-125	...	Crankcase fixing screw (long)	11	10
90-129	...	Connecting rod complete	15	14
90-130	...	Gudgeon pin bush	15	14
90-132	...	Clutch push rod bush (rubber)	19	18
90-133	...	Mainshaft bearing thrust plate	15	14
90-134	...	Primary chain	15	14
90-135	...	Kickstart lever rubber	17	16
90-136	...	Piston complete with pegs only	13	12
90-139	...	Primary chain cover complete	15	14
90-144	...	Carburettor	... <i>not illust'd</i> ...	14
90-147	...	Crankshaft oil seal	13	12
90-152	...	Crankshaft shim (.003in.)	13	12
90-153	...	Crankshaft shim (.004in.)	13	12
90-154	...	Crankshaft shim (.005in.)	13	12
90-155	...	Crankshaft shim (.010in.)	13	12

NUMERICAL INDEX—continued.

Part No.	Price. £ s. d.	DESCRIPTION.	Page illustrated.	Page described.
90-162 ...		Crankcase complete with fixed fittings (offside)	11 ...	10
90-163 ...		Crankcase complete with fixed fittings (nearside)	11 ...	10
90-166 ...		Flywheel and connecting rod assembled	13 ...	12
90-167 ...		Flywheel complete (offside)	13 ...	12
90-168 ...		Flywheel complete (nearside)	13 ...	12
90-169 ...		Flywheel spindle (nearside)	13 ...	12
90-171 ...		Flywheel cover plate	13 ...	12
90-172 ...		Gearbox sprocket nut	17 ...	16
90-173 ...		Gear selector arm complete	17 ...	16
90-175 ...		Clutch chainwheel complete	17 ...	16
90-177 ...		Kickstart pinion	17 ...	16
90-178 ...		Kickstart quadrant complete	17 ...	16
90-179 ...		Kickstart quadrant	17 ...	16
90-180 ...		Clutch operating lever complete... ..	19 ...	18
90-183 ...		Crankcase cover complete (near-side)	11 ...	10
90-184 ...		Clutch operating lever bush	19 ...	18
90-187 ...		Flywheel magneto	<i>not illust'd</i> ...	12
90-190 ...		Gear selector fork and peg complete	17 ...	16
90-241 ...		Gear selector arm ball ($\frac{5}{16}$ in. diam.) <i>not illust'd</i>		16
90-243 ...		Crankshaft distance collar	13 ...	12
90-246 ...		Flywheel magneto cam key	<i>not illust'd</i> ...	12
90-248 ...		Crankcase cover fixing screw (short)	11 ...	10
90-251 ...		Big end thrust washer	15 ...	14
90-254 ...		Crankpin	15 ...	14
90-255 ...		Crankpin roller	15 ...	14
90-256 ...		Flywheel magneto cam screw	<i>not illust'd</i> ...	12
90-257 ...		Flywheel magneto cam plain washer	<i>not illust'd</i> ...	12
90-258 ...		Flywheel magneto cam spring washer	<i>not illust'd</i> ...	12
90-259 ...		Flywheel magneto fixing nut	<i>not illust'd</i> ...	12
90-260 ...		Flywheel magneto fixing nut washer	<i>not illust'd</i> ...	12
90-261 ...		Crankcase drain plug	11 ...	10
90-262 ...		Crankcase drain plug washer (fibre)	11 ...	10
90-262 ...		Primary chain cover washer (fibre)	15 ...	14
90-265 ...		Exhaust pipe union nut	15 ...	14
90-268 ...		Gear change lever	17 ...	16
90-272 ...		Mainshaft thrust plate gasket	15 ...	14
90-273 ...		Cylinder base gasket	11 ...	10

NUMERICAL INDEX—continued.

Part No.	Price. £ s. d.	DESCRIPTION.	Page illustrated.	Page described.
90-276 ...		Piston complete with pegs only (.020in. oversize)	13 ...	12
90-278 ...		Piston rings (.020in. oversize) ...	15 ...	14
90-283 ...		Clutch chain wheel thrust washer	17 ...	16
90-3001 ...		Exhaust pipe	15 ...	14
90-3002 ...		Exhaust pipe union nut washer... <i>not illust'd</i>	14
90-3003 ...		Exhaust pipe seating ring ... <i>not illust'd</i>	14
90-3005 ...		Silencer complete	15 ...	14
90-4001 ...		Frame complete	19 ...	18
90-4701 ...		Central stand complete	27 ...	26
90-4707 ...		Central stand and brake pedal stop plate... ..	27 ...	26
90-4708 ...		Central stand and brake pedal pivot sleeve	27 ...	26
90-4709 ...		Central stand spring clip	27 ...	26
90-4710 ...		Central stand spring clip support plate	27 ...	26
90-4802 ...		Footrest rod	27 ...	26
90-4805 ...		Footrest rubber	27 ...	26
90-4806 ...		Footrest rod distance tube ...	27 ...	26
90-4970 ...		Handlebar complete with clutch and front brake control body... ..	21 ...	20
90-5004 ...		Bottom yoke complete	21 ...	20
90-5007 ...		Top yoke	21 ...	20
90-5010 ...		Front fork sliding tube complete	19 ...	18
90-5013 ...		Head lamp bracket	21 ...	20
90-5015 ...		Handlebar seating	21 ...	20
90-5016 ...		Handlebar clip	21 ...	20
90-5017 ...		Steering stem nut	21 ...	20
90-5018 ...		Steering stem washer (plain) ...	21 ...	20
90-5019 ...		Front fork outer tube complete... ..	19 ...	18
90-5024 ...		Fork tube gland cover	19 ...	18
90-5025 ...		Fork tube gland wipers (rubber)	19 ...	18
90-5026 ...		Fork tube gland washer (felt) ...	19 ...	18
90-5027 ...		Fork tube top nut... ..	19 ...	18
90-5028 ...		Fork tube top nut washer (plain)	19 ...	18
90-5029 ...		Top yoke seating washer	21 ...	20
90-5030 ...		Front fork spring	19 ...	18
90-5031 ...		Fork spring top scroll	19 ...	18
90-5032 ...		Fork outer tube and bush grub screw	19 ...	18
90-5033 ...		Head lamp bracket and bottom yoke clamp bolt... ..	21 ...	20
90-5035 ...		Steering stem locknut	21 ...	20
90-5036 ...		Top yoke plate (used when speedo head is removed)	21 ...	20
90-5500 ...		Front wheel complete less brake and tyre <i>not illust'd</i> ...	20
90-5504 ...		Front wheel rim (WM1-19) ...	21 ...	20
90-5504 ...		Rear wheel rim (WM1-19) ...	23 ...	22

NUMERICAL INDEX—continued.

Part No.	Price. £ s. d.	DESCRIPTION.	Page illustrated.	Page described.
90-5509 ...		Front hub shell complete with spindle and bearings <i>not illust'd</i> ...	20
90-5510 ...		Front hub shell only ...	21 ...	20
90-5520 ...		Front brake shoe with lining ...	21 ...	20
90-5520 ...		Rear brake shoe with lining ...	23 ...	22
90-5522 ...		Front brake shoe lining ...	23 ...	20
90-5522 ...		Rear brake shoe lining ...	23 ...	22
90-5523 ...		Front brake shoe lining rivets <i>not illust'd</i> ...	20
90-5523 ...		Rear brake shoe lining rivets <i>not illust'd</i> ...	22
90-5525 ...		Front hub bearings... ...	21 ...	20
90-5525 ...		Rear hub bearings ...	23 ...	22
90-5526 ...		Front brake cover plate complete	21 ...	20
90-5533 ...		Front brake cam complete ...	21 ...	20
90-5533 ...		Rear brake cam complete ...	23 ...	22
90-5535 ...		Hub bearing distance piece ...	21 ...	20
90-5536 ...		Front hub bearing locating washer	21 ...	20
90-5536 ...		Rear hub bearing thrust washer...	23 ...	22
90-5537 ...		Front hub bearing lock ring ...	21 ...	20
90-5537 ...		Rear hub bearing lock ring ...	23 ...	22
90-5538 ...		Front hub felt retaining washer...	21 ...	20
90-5538 ...		Rear hub felt retaining washer ...	23 ...	22
90-5539 ...		Front hub felt retaining cup ...	21 ...	20
90-5539 ...		Rear hub felt retaining cup ...	23 ...	22
90-5540 ...		Front hub washer (felt) ...	21 ...	20
90-5540 ...		Rear hub washer (felt) ...	23 ...	22
90-5541 ...		Front hub spindle ...	21 ...	20
90-5542 ...		Front hub spindle nut ...	21 ...	20
90-5542 ...		Rear hub spindle nut ...	23 ...	22
90-5543 ...		Front hub spindle locknut ...	21 ...	20
90-5543 ...		Rear hub spindle locknut ...	23 ...	22
90-5544 ...		Front hub cover plate locking sleeve	21 ...	20
90-5544 ...		Rear hub cover plate locking sleeve	23 ...	22
90-5545 ...		Front hub spindle shim ...	21 ...	20
90-5546 ...		Front hub bearing locknut ...	23 ...	22
90-5546 ...		Rear hub bearing locknut ...	23 ...	22
90-5547 ...		Front brake operating lever ...	23 ...	22
90-6001 ...		Rear wheel complete less brake and tyre <i>not illust'd</i> ...	22
90-6009 ...		Rear hub complete with spindle and bearings <i>not illust'd</i> ...	22
90-6010 ...		Rear hub shell ...	23 ...	22
90-6020 ...		Rear hub cover plate complete ...	23 ...	22
90-6022 ...		Rear hub bearing distance piece...	23 ...	22
90-6023 ...		Rear hub spindle ...	23 ...	22
90-6024 ...		Speedometer drive ...	23 ...	22
90-6025 ...		Rear chain adjuster bolt ...	23 ...	22
90-6026 ...		Rear brake operating lever ...	23 ...	22

NUMERICAL INDEX—continued.

Part No.	Price. £ s. d.	DESCRIPTION.	Page illustrated.	Page described.
90-6027 ...		Rear chain adjuster cap	23	22
90-6029 ...		Rear hub barrel cap (used when speedo is not fitted)	23	22
90-6501 ...		Front mudguard	25	24
90-6504 ...		Front mudguard stays	25	24
90-6505 ...		Front mudguard support clip ...	25	24
90-6753 ...		Rear mudguard with fixed fittings	25	24
90-6755 ...		Rear mudguard stay (offside) ...	25	24
90-6756 ...		Rear mudguard stay (nearside) ...	25	24
90-6761 ...		Rear number plate complete ...	25	24
90-6801 ...		Carrier complete	25	24
90-7001 ...		Rear brake pedal complete ...	27	26
90-7005 ...		Rear brake rod	27	26
90-7006 ...		Rear brake adjuster nut	27	26
90-7008 ...		Rear brake pedal return spring ...	27	26
90-7701 ...		Rear chainguard complete ...	27	26
90-8001 ...		Petrol tank	29	28
90-8006 ...		Petrol tank filler cap and oil measure	29	28
90-8010 ...		Petrol tank fixing distance tube...	29	28
90-8012 ...		Petrol pipe complete	29	28
90-8503 ...		Clutch control cable nipple (gear- box)	29	28
90-8506 ...		Clutch control body ferrule ...	29	28
90-8506 ...		Front brake control body ferrule	29	28
90-8510 ...		Clutch control cable and cover complete	not illust'd	28
90-8511 ...		Clutch control cable	29	28
90-8515 ...		Twist grip cable and cover com- plete	not illust'd	30
90-8516 ...		Twist grip cable	31	30
90-8520 ...		Front brake cable and cover com- plete	not illust'd	28
90-8521 ...		Front brake cable	29	28
90-8522 ...		Front brake cable cover	29	28
90-9001 ...		Saddle	not illust'd	10
90-9002 ...		Tool box complete with lid ...	31	30
90-9010 ...		Inflator	31	30
90-9011 ...		Bulb horn unit	not illust'd	30
90-9012 ...		Tool bag complete with tools ...	not illust'd	30
90-9013 ...		Tool bag only	not illust'd	30
90-9015 ...		Transmission chain (116 links)	31	30
90-9016 ...		Exhaust pipe union nut spanner	31	30
90-9018 ...		Tyre lever	31	30
90-9020 ...		Speedometer cable	31	30
90-9022 ...		Box spanner (carburetter) ...	31	30
90-9024 ...		Tail lamp cable elip (rubber) ...	31	30

NUMERICAL INDEX—continued.

Part No.	Price. £ s. d.	DESCRIPTION.	Page illustrated.	Page described.
A34	...	Flywheel magneto fixing screw washer	13	12
A34	...	Kickstart and gearchange lever bolt washer	17	16
A176	...	Silencer clip bolt washer	<i>not illust'd</i>	14
B751A	...	Engine mounting bolt washer (plain)	19	18
B905	...	Footrest rubber locating washer (inside)	27	26
EB72	...	Front brake operating lever toggle screw	23	22
EB102	...	Front brake operating lever toggle nut... ..	23	22
EB242	...	Petrol tap washer (fibre)	29	28
EB259	...	Double-ended spanner (B.S.A.) ...	31	30
F21	...	Washer (plain)		<i>various</i>
K56	...	Mainshaft oil seal housing screw	15	14
K65	...	Headlamp bracket stud washer (plain)	21	20
K197	...	Washer (spring)		<i>various</i>
K234A	...	Rear brake rod washer (plain) ...	27	26
M101A	...	Speedometer drive washer (plain)	23	22
M552A	...	Drain plug washer (fibre)	19	18
M552A	...	Dipstick washer (fibre)	11	10
N584	...	Footrest rod washer (spring) ...	27	26
C2-158	...	Tail lamp screw nut	31	30
S411	...	Speedometer head (type D, light- weight)		<i>not illust'd</i> 12

GENERAL INDEX

	<i>Pages</i>
Carburettor Settings	12
Carrier	24
Central Stand	26
Chainguard and Fittings	26
Engine (General)	10-14
Engine and Frame Numbers	10
Equipment (Electrical)	12
Equipment (Saddles)	10
Equipment (Sparking Plugs)	10
Footrests	26
Frame and Fittings	18
Front Fork and Fittings	18-20
Gearbox and Control Parts	14-18
Gear Ratios	10
Guarantee	2
Handlebar	20
Handlebar Controls	28-30
How to Order	4
Index (Numerical)	32-41
Mudguards and Fittings	24
Petrol Tank and Fittings	28
Rear Brake Control	26
Spares and Repairs	3
Speedometers	12
Stockists of B.S.A. Spare Parts	5-9
Tools and Sundries	30
Wheels, Hubs and Fittings	20-22