



COMMANDO

SPARES LIST

SUPPLEMENTS FOR 1969 AND 1970

Pages 36 to 47

Published by

NORTON VILLIERS LIMITED

Norton Matchless Division

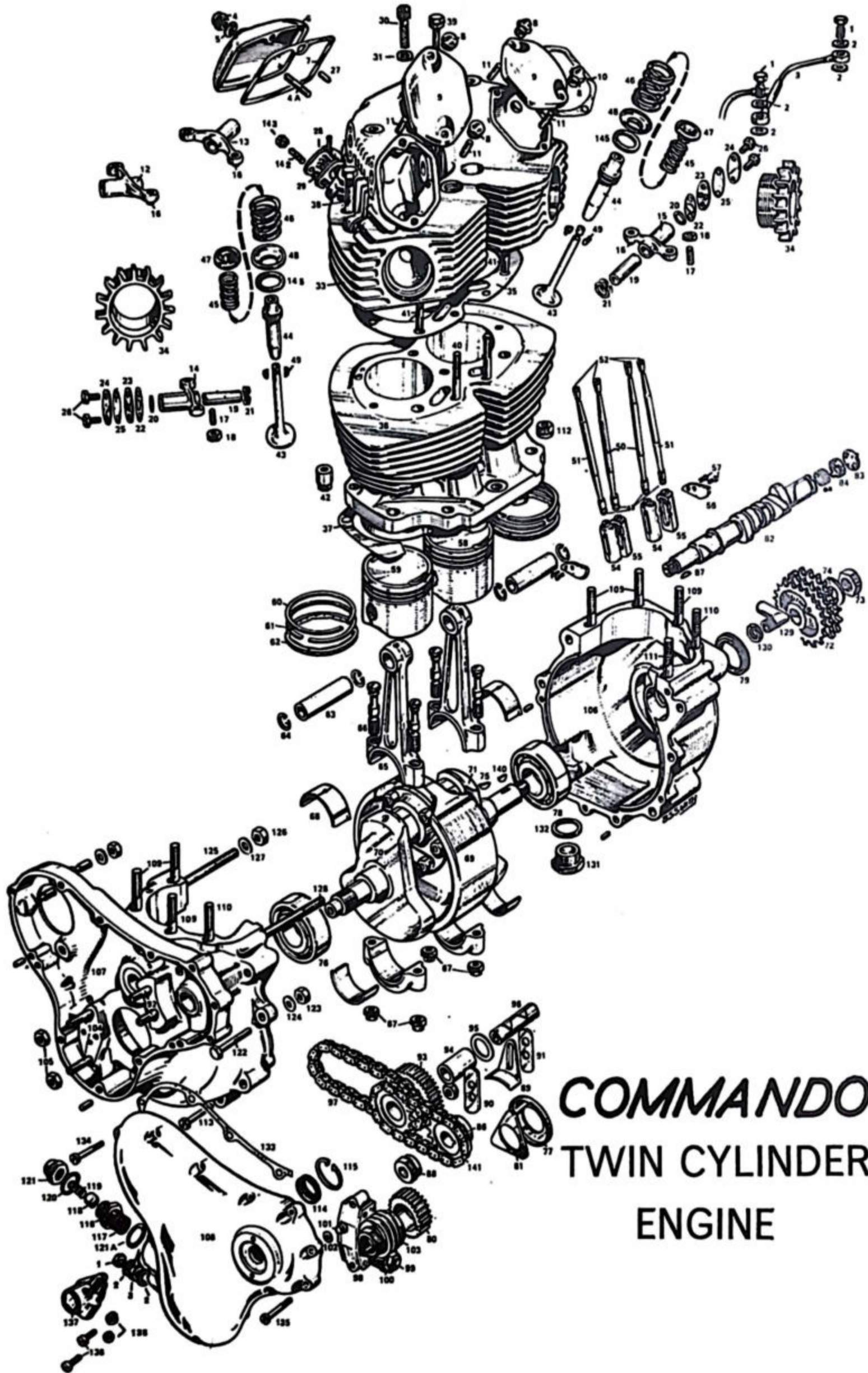
Burrage Grove, Woolwich, London, S.E.18

Telephone: 01-854 1223 · Telex: 22617

Cables: Nortonmatch London Telex

BRITCYCLE INDEX

| | | | |
|-----------------------------------|----|---|----|
| Alternator | 30 | Headlamp | 28 |
| Air cable | 20 | Head steady stay | 7 |
| Air filter | 33 | Horn | 30 |
| Accessory cover | 31 | Ignition, coil capacitor | 31 |
| Battery and fittings | 31 | Kickstart | 15 |
| Battery box and carrier | 24 | Main bearings | 5 |
| Bearings—main | 5 | Mudguard—front | 19 |
| Brake and air lever | 20 | Mudguard—rear | 19 |
| Brake cable | 20 | Number plate—front... .. | 19 |
| Brake operating parts | 28 | Number plate—rear and Reflectors | 19 |
| Cable clips | 33 | Oil pipes | 22 |
| Carburettor—Amal Type 930 | 9 | Oil pump | 6 |
| Centre stand | 17 | Oil tank | 22 |
| Chaincase—front | 24 | Petrol tank | 22 |
| Chaincase—rear | 24 | Pillion footrests | 24 |
| Chains | 11 | Pistons and rings—standard | 5 |
| Clutch | 13 | Pistons and rings—oversize | 5 |
| Clutch cable | 20 | Pressure release | 4 |
| Clutch lever | 20 | Prop stand | 17 |
| Clutch operating parts | 15 | Rear lamp | 30 |
| Coil-capacitor ignition | 30 | Rear suspension units | 15 |
| Connecting rod | 4 | Rectifier and Zener diode | 31 |
| Crankcase | 4 | Revolution counter | 33 |
| Crankcase bolts | 7 | Rockers and covers | 6 |
| Crankcase breather | 4 | Seat—twin | 22 |
| Crankshaft | 4 | Silencers | 9 |
| Cylinder barrel and head | 5 | Speedometer | 28 |
| Chain oiler | 22 | Steering damper | 19 |
| Engine plates and bolts | 7 | Stop-light | 30 |
| Engine sprocket | 9 | Stop-light adjuster | 30 |
| Exhaust pipe | 9 | Swinging arm | 15 |
| Footrests | 17 | Switches and electrical sundries | 31 |
| Frame | 15 | Tail section | 33 |
| Front forks | 17 | Tappets and push rods | 6 |
| Gasket sets | 31 | Throttle cable | 20 |
| Gearbox bearings and seals | 13 | Timing gear | 6 |
| Gearbox fixing parts | 11 | Tools | 33 |
| Gearbox shell | 11 | Twin seat | 22 |
| Gearbox sprocket | 13 | Twist grip | 20 |
| Gearchange | 13 | Valves, guides and springs | 5 |
| Gears and shafts | 11 | Wheel—front | 27 |
| Handlebar | 19 | Wheel—rear | 27 |
| Handbrake and air lever | 20 | Zener diode, rectifier | 31 |



COMMANDO
TWIN CYLINDER
ENGINE

A ENGINE

- | | |
|---|---|
| 1 Banjo bolt for oil feed pipe. | 73 Retaining nut for rotor. |
| 2 Washer for banjo bolt. | 74 Washer for rotor. |
| 3 Rocker feed pipe assembly. | 75 Key for engine sprocket. |
| 4 Domed nut for rear cap. | 76 Mainshaft bearing, timing side. |
| 4A Stud for rear cap. | 77 Sealing washer timing side bearing. |
| 5 Washer for domed nut. | 78 Mainshaft roller bearing, driving side. |
| 6 Rocker box cap (rear). | 79 Driving side shaft oil seal. |
| 7 Sealing washer for rear cap. | 80 Half time pinion. |
| 8 Nut for rocker box front cap stud. | 81 Backing plate for pinion. |
| 9 Rocker box cap (Front). | 82 Camshaft. |
| 10 Sealing washer for front cap. | 83 Stationary plate, camshaft breather. |
| 11 Stud for front cap. | 84 Rotary plate, timing breather. |
| 12 Rocker inlet, right hand. | 85 Spring for breather. |
| 13 Rocker inlet, left hand. | 86 Camshaft sprocket. |
| 14 Rocker exhaust, right hand. | 87 Key for sprocket. |
| 15 Rocker exhaust, left hand. | 88 Nut for sprocket and rev-counter drive. |
| 16 Rocker ball end. | 89 Chain tensioner slipper. |
| 17 Rocker adjuster. | 90 Plate for chain tensioner (Thick). |
| 18 Nut for adjuster. | 91 Plate for chain tensioner (Thin). |
| 19 Rocker shaft. | 92 Stud for chain tensioner. |
| 20 Thrust washer for shaft. | 93 Intermediate gear, with sprocket. |
| 21 Spring washer for shaft. | 94 Bush for intermediate gear. |
| 22 Joint washer for shaft. | 95 Washer for intermediate gear. |
| 23 Locking plate for shaft. | 96 Spindle for intermediate gear. |
| 24 Retaining plate for shaft. | 97 Driving chain for ignition. |
| 25 Joint washer for plate. | 98 Oil pump assembly. |
| 26 Bolt for shaft retaining plate. | 99 Nut for oil pump spindle. |
| 27 Dowel for rocker box cap (Rear). | 100 Worm gear wheel (on pump). |
| 28 Inlet manifold. | 101 Feed bush for pump. |
| 29 Allen bolt manifold to head. | 102 Sealing washer for feed bush. |
| 30 Allen bolt for head steady plate. | 103 Pump driving worm (on mainshaft). |
| 31 Washer for bolt. | 104 Stud, oil pump to crankcase. |
| 33 Cylinder head, with valve guides. | 105 Nut for stud. |
| 34 Finned locking nut for exhaust pipe. | 106 Crankcase, driving side only. |
| 35 Gasket cylinder head to barrel. | 107 Crankcase, timing side only. |
| 36 Cylinder barrel. | 108 Timing cover (for rev-counter fixing). |
| 37 Washer cylinder base to Crankcase. | 109 Crankcase cylinder base stud. |
| 38 Cylinder head bolt (Long). | 110 Crankcase cylinder base stud $\frac{1}{8}$ in. dia. |
| 39 Cylinder head bolt (Short). | 111 Crankcase cylinder base stud $\frac{3}{8}$ in. dia. |
| 40 Stud cylinder barrel to head. | 112 Nut, cylinder base stud $\frac{3}{8}$ in. |
| 41 Stud, cylinder head to barrel. | 113 Screw, timing to driving side crankcase sump. |
| 42 Nut, cylinder head to barrel stud. | 114 Mainshaft oil seal, in timing cover. |
| 43 Valve, exhaust. | 115 Circlip, mainshaft oil seal. |
| 44 Valve guide, inlet or exhaust. | 116/7 Pressure release assembly. |
| 45 Valve spring, inner. | 118 Pressure release piston. |
| 46 Valve spring, outer. | 119 Pressure release spring. |
| 47 Valve spring top cap. | 120 Pressure release union nut washer. |
| 48 Valve spring bottom collar. | 121 Pressure release body nut. |
| 49 Valve collet. | 121A Washer for pressure release union. |
| 50 Push rod complete, inlet. | 122 Crankcase bolt (Short). |
| 51 Push rod complete, exhaust. | 123 Nut, for bolt. |
| 52 Push rod top end. | 124 Washer for bolt. |
| 53 Push rod bottom end. | 125 Crankcase top stud (Rear). |
| 54 Tappet, right hand. | 126 Nut, for stud. |
| 55 Tappet, left hand. | 127 Washer for stud. |
| 56 Tappet location plate. | 128 Crankcase top stud (Front). |
| 57 Screw for location plate. | 129 Elbow for Crankcase breather pipe. |
| 58 Piston complete, left hand. | 130 Nut, for crankcase breather elbow. |
| 59 Piston complete, right hand. | 131 Crankcase oil sump filter body. |
| 60 Piston ring, compression, top, chrome. | 132 C. and A. washer filter body. |
| 61 Piston ring, compression, bottom, plain. | 133 Timing cover gasket. |
| 62 Piston ring, scraper. | 134 Timing cover screw, Long. |
| 63 Gudgeon pin. | 135 Timing cover screw, Short. |
| 64 Circlip for gudgeon pin. | 136 Fixing screw revolution counter drive. |
| 65 Connecting rod. | 137 Gear box revolution counter drive. |
| 66 Big end cap bolt. | 138 Washer for fixing screw. |
| 67 Nut for cap bolt. | 140 Key for alternator rotor. |
| 68 Big end bearing shell, upper. | 141 Driving chain for camshaft. |
| Big end bearing shell, lower. | 142 Stud inlet manifold to carburettor. |
| 69 Flywheel. | 143 Nut for stud. |
| 70 Crankshaft timing side. | 144 Washer for stud. |
| 71 Crankshaft driving side. | 145 Heat resisting washer. |
| 72 Engine sprocket 26 teeth. | |

| Plate No. | Part No. | Description | Qty. | Bin No. |
|---------------------------|----------|---|------|---------|
| CRANKSHAFT | | | | |
| | 06.0571 | Crankshaft assembly—less connecting rods | 1 | |
| A70 | 23262 | Crankcheek—timing side | 1 | |
| A71 | 06.0542 | Crankcheek—driving side | 1 | |
| A69 | 06.0731 | Flywheel only | 1 | |
| | T.2105 | Flywheel crankcheek dowel | 1 | |
| | T.2033 | Crankcheek bolt | 4 | |
| | T.2086 | Crankcheek stud | 2 | |
| | T.2032 | Nut retaining plate | 2 | |
| | T.2031 | Crankcheek stud nut | 6 | |
| | 23280 | Crankcheek bolt nut | 2 | |
| | E.4591 | Crankshaft plug | 1 | |
| CONNECTING ROD | | | | |
| A65 | 25369 | Connecting rod with cap | 2 | |
| A66 | 23254 | Connecting rod cap bolt | 4 | |
| A67 | 23253 | Cap bolt nut | 4 | |
| A68 | 25384 | Connecting rod bearing shell (top half) standard | 2 | |
| | 23255 | Connecting rod bearing shell (bottom half) standard | 2 | |
| | 25409 | Connecting rod bearing shell (top half) .010 in. | 2 | |
| | 25410 | Connecting rod bearing shell (top half) .020 in. | 2 | |
| | 25411 | Connecting rod bearing shell (top half) .030 in. | 2 | |
| | 25413 | Connecting rod bearing shell (top half) .040 in. | 2 | |
| | 25165 | Connecting rod bearing shell (bottom half) .010 in. | 2 | |
| | 25166 | Connecting rod bearing shell (bottom half) .020 in. | 2 | |
| | 25167 | Connecting rod bearing shell (bottom half) .030 in. | 2 | |
| | 25168 | Connecting rod bearing shell (bottom half) .040 in. | 2 | |
| CRANKCASE | | | | |
| | 06.0600 | Crankcase complete with timing cover | 1 | |
| | 06.0601 | Crankcase halves assembled—less timing cover | 1 | |
| A108 | 06.0716 | Timing cover | 1 | |
| A106 | 06.0602 | Crankcase (drive side) | 1 | |
| A107 | 06.0717 | Crankcase (timing side) | 1 | |
| A133 | 06.0719 | Timing cover gasket | 1 | |
| A109 | 24251 | Cylinder barrel stud | 6 | |
| A110 | T.2209 | Cylinder barrel stud (stepped) | 2 | |
| A111 | 18943 | Cylinder barrel stud (front) | 1 | |
| A134 | 24689 | Timing cover screw—long | 6 | |
| A135 | E.6980 | Timing cover screw—short | 6 | |
| A113 | 24689 | Sump screw | 2 | |
| | T.2036 | Camshaft bush (timing side) | 1 | |
| | T.2037 | Camshaft bush (driving side) | 1 | |
| A114 | 048023 | Oil seal (timing side shaft) | 1 | |
| A115 | 048079 | Oil seal circlip | 1 | |
| A131 | 16945 | Sump filter body | 1 | |
| A132 | 16949 | Filter body washer | 1 | |
| | 16948 | Filter body circlip | 1 | |
| | 16946 | Filter gauze | 1 | |
| | 16947 | Filter gauze washer | 1 | |
| | E.4591 | Timing cover oilway plug | 1 | |
| | 16902 | Oilway set pin | 1 | |
| | T.1084 | Set pin washer | 1 | |
| CRANKCASE BREATHER | | | | |
| | 19629 | Rubber breather pipe—27 in. | 1 | |
| A129 | 24300 | Breather pipe elbow | 1 | |
| | 13786 | Elbow washer | 1 | |
| A130 | 24303 | Elbow nut | 1 | |
| | 06.0576 | Ferrule | 1 | |
| PRESSURE RELEASE | | | | |
| A116/7 | T.2059A | Pressure release body assembly | 1 | |
| A118 | T.2054 | Release body piston | 1 | |
| A119 | T.2061 | Release body piston spring | 1 | |
| | 15404 | Packing shim | 1 | AR |
| A121 | T.2060 | Release body nut | 1 | |
| A121a | T.2058 | Release union washer | 1 | |
| A120 | T.2057 | Release body nut washer | 1 | |

| Plate No. | Part No. | Description | Qty. | Bin No. |
|-----------|----------|-------------|------|---------|
|-----------|----------|-------------|------|---------|

CYLINDER BARREL AND HEAD

| | | | | |
|------|---------|--|---|--|
| A36 | 06.0396 | Cylinder barrel ... | 1 | |
| A33 | 06.0988 | Cylinder head complete with valve guides | 1 | |
| A35 | 06.0400 | Cylinder head gasket ... | 1 | |
| A112 | T.2016 | Cylinder barrel stud nut— $\frac{3}{8}$ in. | 1 | |
| A42 | 24250 | Cylinder barrel stud nut ... | 6 | |
| | T.2210 | Cylinder barrel stud nut— $\frac{5}{16}$ in. | 2 | |
| | 000011 | Cylinder barrel stepped stud washer | 2 | |
| | 24252 | Cylinder barrel stud washer... | 6 | |
| A37 | 24249 | Cylinder base gasket ... | 1 | |
| A40 | T.2161 | Head to Barrel stud— $\frac{5}{16}$ in. | 2 | |
| A41 | 24389 | Head to Barrel stud ... | 3 | |
| | 24260 | Head stud nut ... | 2 | |
| | T.2017 | Head stud nut— $\frac{5}{16}$ in. | 2 | |
| | 000011 | Cylinder head stud washer | 2 | |
| | 24250 | Head stud nut (rear) ... | 1 | |
| A38 | 06.0401 | Cylinder head bolt—long | 4 | |
| A39 | 25313 | Cylinder head bolt—short | 1 | |
| | 016213 | Cylinder head bolt washer | 5 | |

VALVES, GUIDES AND SPRINGS

| | | | | |
|------|--------|-----------------------------------|--------|--|
| | 25501 | Inlet valve <i>1 1/8" Dia.</i> | 2 | |
| A43 | 25500 | Exhaust valve <i>1 5/16" Dia.</i> | 2 | |
| A44 | T.2011 | Valve guide ... | 4 | |
| A145 | 23392 | Heat resisting washer | 4 | |
| A48 | T.2073 | Valve spring cup | 4 | |
| A45 | 22839 | Valve spring (inner) | 4 | |
| A46 | 22838 | Valve spring (outer) | 4 | |
| A47 | T.186 | Valve spring collar | 4 | |
| A49 | T.187 | Valve cotter ... | Pair 4 | |

PISTONS AND RINGS (STANDARD)

| | | | | |
|-----|---------|-----------------------------|---|--|
| A58 | 06.1185 | Piston complete, left hand | 1 | |
| A59 | 06.1186 | Piston complete, right hand | 1 | |
| A60 | 06.0952 | Piston ring top (chrome) | 2 | |
| A61 | 06.0953 | Piston ring plain | 2 | |
| A62 | 06.1180 | Piston ring scraper | 2 | |
| A63 | 06.0955 | Gudgeon pin | 2 | |
| A64 | 23276 | Gudgeon pin circlip | 4 | |

PISTONS AND RINGS (OVERSIZE)

| | | | | |
|--|---------|-------------------------------------|---|--|
| | 06.1187 | Piston complete left hand—+010 in. | 1 | |
| | 06.1188 | Piston complete right hand—+010 in. | 1 | |
| | 06.0960 | Piston ring top (chrome)—+010 in. | 2 | |
| | 06.0961 | Piston ring plain—+010 in. | 2 | |
| | 06.1181 | Piston ring scraper—+010 in. | 2 | |
| | 06.1189 | Piston complete left hand—+020 in. | 1 | |
| | 06.1190 | Piston complete right hand—+020 in. | 1 | |
| | 06.0967 | Piston ring top (Chrome)—+020 in. | 2 | |
| | 06.0968 | Piston ring plain—+020 in. | 2 | |
| | 06.1182 | Piston ring scraper—+020 in. | 2 | |
| | 06.1191 | Piston complete left hand—+030 in. | 1 | |
| | 06.1192 | Piston complete right hand—+030 in. | 1 | |
| | 06.0974 | Piston ring top (chrome)—+030 in. | 2 | |
| | 06.0975 | Piston ring plain—+030 in. | 2 | |
| | 06.1183 | Piston ring scraper—+030 in. | 2 | |
| | 06.1193 | Piston complete left hand—+040 in. | 1 | |
| | 06.1194 | Piston complete right hand—+040 in. | 1 | |
| | 06.0981 | Piston ring top (chrome)—+040 in. | 2 | |
| | 06.0982 | Piston ring plain—+040 in. | 2 | |
| | 06.1184 | Piston ring scraper—+040 in. | 2 | |

MAIN BEARINGS

| | | | | |
|-----|---------|--------------------------------------|----|--|
| A76 | 17822 | Ball bearing (timing side) | 1 | |
| A77 | T.2008 | Sealing washer (timing side bearing) | 1 | |
| A78 | 17824 | Roller bearing (drive side) | 1 | |
| A79 | T.2187 | Oil seal (drive side bearing) | 1 | |
| | T.2196A | Crankshaft bearing shim | AR | |

| Plate No. | Part No. | Description | Qty. | Bin No. |
|--------------------|----------|--|------|---------|
| TIMING GEAR | | | | |
| A80 | T.2035 | Half-time pinion ... | 1 | |
| | 000572 | Pinion key ... | 1 | |
| A81 | T.2007 | Pinion backing plate ... | 1 | |
| A82 | 22729 | Camshaft ✕ ... | 1 | |
| A83 | T.2078 | Camshaft breather plate (stationary) ... | 1 | |
| A84 | 24301 | Breather plate (rotary) ... | 1 | |
| A85 | T.2108 | Breather spring ... | 1 | |
| A86 | 20829 | Camshaft sprocket ✕ ... | 1 | |
| A87 | 000572 | Camshaft sprocket key ... | 1 | |
| A88 | 17211 | Sprocket and rev. counter drive nut ... | 1 | |
| A141 | 17806 | Camshaft chain (38 link—endless) ... | 1 | |
| A89 | T.2217 | Chain tension slipper ✕ ... | 1 | |
| A90 | T.2218 | Chain tensioner plate (thick) ... | 1 | |
| A91 | T.2218A | Chain tensioner plate (thin) ... | 1 | |
| A92 | T.247 | Chain tensioner stud ... | 2 | |
| | E.3231 | Chain tensioner stud nut ... | 2 | |
| | 18202 | Chain tensioner stud washer (fan disc ½ in.) ... | 2 | |
| A93 | 50008 | Intermediate gear with sprockets ✕ ... | 1 | |
| A94 | T.2026 | Intermediate gear bush ✕ ... | 1 | |
| A95 | T.2080 | Intermediate gear washer ... | 1 | |
| A96 | T.2021 | Intermediate gear spindle ... | 1 | |
| | 17823 | Intermediate spindle circlip ... | 1 | |
| A97 | 18257 | Distributor drive chain ... | 1 | |

TAPPETS AND PUSH RODS

| | | | | |
|-------|---------|--------------------------------------|---|---------------|
| A54/5 | { 22771 | Tappets (left hand) ... | 2 | Sold in pairs |
| | { 22772 | Tappets (right hand) ... | 2 | Sold in pairs |
| A56 | T.2142 | Tappet locating plate ... | 2 | |
| A57 | T.2143 | Locating plate screw ... | 2 | |
| A50 | 25515 | Inlet push rod complete—long ... | 2 | |
| A51 | 25516 | Exhaust push rod complete—short ... | 2 | |
| | 25495 | Inlet push rod less ends—long ... | 2 | |
| | 25497 | Exhaust push rod less ends—short ... | 2 | |
| A52 | T.2064 | Push rod end (top) ... | 4 | |
| A53 | T.2182 | Push rod end (bottom) ... | 4 | |

ROCKERS, COVERS, ETC.

| | | | | |
|-----|--------|-------------------------------------|---|--|
| A12 | 25332 | Rocker inlet (right hand) ... | 1 | |
| A13 | 25330 | Rocker inlet (left hand) ... | 1 | |
| A14 | 25336 | Rocker exhaust (right hand) ... | 1 | |
| A15 | 25334 | Rocker exhaust (left hand) ... | 1 | |
| A16 | T.2063 | Rocker ball end ... | 4 | |
| A17 | T.2074 | Rocker adjuster ... | 4 | |
| A18 | T.232 | Rocker adjuster nut ... | 4 | |
| A19 | 25350 | Rocker shaft ... | 4 | |
| A20 | 18102 | Rocker shaft thrust washer ... | 4 | |
| A21 | 18103 | Rocker shaft spring washer ... | 4 | |
| A22 | T.2083 | Rocker shaft joint washer ... | 4 | |
| A23 | T.2238 | Rocker shaft locking plate ... | 4 | |
| A24 | T.2239 | Rocker shaft retaining plate ... | 4 | |
| A25 | T.2240 | Rocker shaft plate joint washer ... | 4 | |
| A26 | T.2256 | Retaining plate set pin ... | 8 | |
| A4 | T.2162 | Rear cap domed nut ... | 1 | |
| A5 | T.2082 | Domed nut washer ... | 1 | |
| A6 | 18094 | Rear rocker cap ... | 1 | |
| A7 | T.2084 | Rear cap sealing washer ... | 1 | |
| A4a | 18033 | Rear cap stud ... | 1 | |
| A27 | 000579 | Rear cap dowel ... | 1 | |
| A8 | T.2085 | Front cap nut ... | 4 | |
| A9 | 18093 | Front rocker cap ... | 2 | |
| A10 | T.2088 | Front cap sealing washer ... | 2 | |
| A11 | T.2252 | Front cap stud ... | 4 | |

OIL PUMP

| | | | | |
|------|--------|-------------------------------|---|--|
| A98 | 25396 | Oil pump complete ... | 1 | |
| A99 | 15511A | Oil pump spindle nut ... | 1 | |
| A100 | 24733 | Worm gear wheel (on pump) ... | 1 | |
| | 17697 | Gear wheel key ... | 1 | |

| Plate No. | Part No. | Description | Qty. | Bin No. |
|--------------------------------|----------|--|------|---------|
| OIL PUMP—continued | | | | |
| A101 | 15515 | Pump feed bush ... | 1 | |
| A102 | T.272 | Feed bush sealing washer ... | 1 | |
| A103 | 24732 | Driving worm on mainshaft and pinion nut ... | 1 | |
| A104 | E.4440 | Pump-to-crankcase stud ... | 2 | |
| A105 | E.3231 | Pump stud nut ... | 2 | |
| | E.4590 | Oil stop grub screw ... | 1 | |
| | 21146 | Pump feed bush shim... ... | 2 | |
| HEAD STEADY STAY | | | | |
| J22 | 06.0489 | Engine steady stay ... | 1 | |
| J19 | 06.0490 | Engine steady stay spacer ... | 2 | |
| J21 | 06.0622 | Engine steady stay rubber ... | 2 | |
| | 000192 | Engine steady stay washer ... | 6 | |
| J18 | 06.0493 | Engine steady stay stud ... | 2 | |
| J20 | 06.0348 | Engine steady stay nut ... | 6 | |
| J15, A30 | 19437 | Engine steady stay screw ... | 3 | |
| J16, A31 | 000011 | Engine steady stay screw washer ... | 3 | |
| J23 | 06.0830 | Engine steady side plate ... | 2 | |
| J17 | 06.0914 | Engine steady spacer ... | 1 | |
| CRANKCASE BOLTS | | | | |
| | E.3214 | Crankcase bottom stud ... | 1 | |
| | E.3231 | Crankcase bottom stud nut ... | 2 | |
| A122 | 13870 | Crankcase bolt ... | 1 | |
| A124 | E.5456 | Crankcase bolt washer ... | 1 | |
| A123 | E.3223 | Crankcase bolt nut ... | 1 | |
| A125 | T.2013 | Crankcase stud top rear ... | 1 | |
| A127 | 000010 | Crankcase stud washer ... | 1 | |
| A126 | E.3224A | Crankcase stud nut ... | 1 | |
| A128 | 19077 | Crankcase stud top front ... | 1 | |
| | T.2221 | Crankcase stud washer ... | 1 | |
| | E.3229 | Crankcase stud nut ... | 1 | |
| ENGINE PLATES AND BOLTS | | | | |
| | 06.0430 | Crankcase—engine plate stud ... | 2 | |
| | 014119 | Stud washer ... | 4 | |
| | 06.0029 | Stud nut ... | 4 | |
| | 22694 | Crankcase—engine plate and frame stud (bottom) ... | 1 | |
| | 06.0431 | Crankcase—engine plate stud (top rear) ... | 1 | |
| | 014119 | Stud washer ... | 2 | |
| | 06.0029 | Stud nut ... | 2 | |
| | 06.0431 | Rear engine plate stud (top) ... | 1 | |
| | 014119 | Rear engine plate stud washer ... | 2 | |
| | 06.0029 | Rear engine plate stud nut ... | 2 | |
| | 06.0431 | Crankcase-engine plate stud (centre rear)... | 1 | |
| | 014117 | Stud washer ... | 2 | |
| | 06.0029 | Stud nut ... | 2 | |
| | 06.0624 | Crankcase-engine plate stud (bottom rear) ... | 1 | |
| | 014117 | Stud washer ... | 2 | |
| | 06.0348 | Stud nut ... | 2 | |
| B12 | 06.0418 | Front engine mounting (assembled) ... | 1 | |
| B19 | 06.0421 | Front engine mounting rubber ... | 2 | |
| B16 | 06.0771 | Front engine mounting seating spacer ... | 2 | |
| B14 | 06.0427 | Front engine mounting spacer ... | 1 | |
| B13, B15 | 06.0428 | Front engine mounting spacer rubber ... | 2 | |
| B20 | 06.0773 | Front engine mounting gaiter ... | 2 | |
| | 06.0423 | Front engine mounting bolt ... | 1 | |
| B21 | 06.0422 | Front engine mounting bolt collar ... | 2 | |
| | 000008 | Front engine mounting bolt washer ... | 2 | |
| | 06.0438 | Front engine mounting bolt nut ... | 1 | |
| B17 | 06.0684 | Front engine mounting tube cap ... | 2 | |
| B1 | 06.0424 | Rear engine mounting assembled ... | 1 | |
| B6 | 06.0432 | Rear engine mounting rubber ... | 2 | |
| B5 | 06.0772 | Rear engine mounting seating spacer ... | 1 | |
| B2 | 06.0434 | Rear engine mounting spacer assembled ... | 1 | |
| B8 | 06.0774 | Rear engine mounting gaiter ... | 2 | |
| | 06.0437 | Rear engine mounting stud ... | 1 | |
| B9 | 06.0436 | Rear engine mounting stud collar ... | 2 | |
| | 000008 | Rear engine mounting stud washer... ... | 2 | |
| B3, B4 | 06.0435 | Rear engine mounting rubber spacer ... | 2 | |
| B10 | 06.0685 | Rear engine mounting tube cap ... | 2 | |



B ENGINE PLATE

| Plate No. | Part No. | Description | Qty. | Bin No. |
|--|----------|---|------|---------|
| ENGINE PLATES AND BOLTS—continued | | | | |
| B7 | 06.0438 | Rear engine mounting stud nut ... | 2 | |
| | 06.0775 | Engine mounting shim .005 in. rear | AR | |
| | 06.0776 | Engine mounting shim .010 in. rear | AR | |
| | 06.0777 | Engine mounting shim .020 in. rear | AR | |
| B11, B22 | 06.0778 | Engine mounting shim .030 in. rear | AR | |
| | 06.0578 | Engine mounting shim (polyurethane) $\frac{1}{16}$ in. front-rear | 4 | |
| B18 | 06.0686 | Engine mounting shim .005 in. front | AR | |
| | 06.0687 | Engine mounting shim .010 in. front | AR | |
| | 06.0688 | Engine mounting shim .020 in. front | AR | |
| | 06.0689 | Engine mounting shim .030 in. front | AR | |

ENGINE SPROCKET

| | | | | |
|---------|---------|---------------------------------|---|--|
| K29 A72 | 06.0383 | Sprocket (standard fitting) 25T | 1 | |
| K8 A75 | E.3682 | Engine sprocket key | R | |

CARBURETTOR

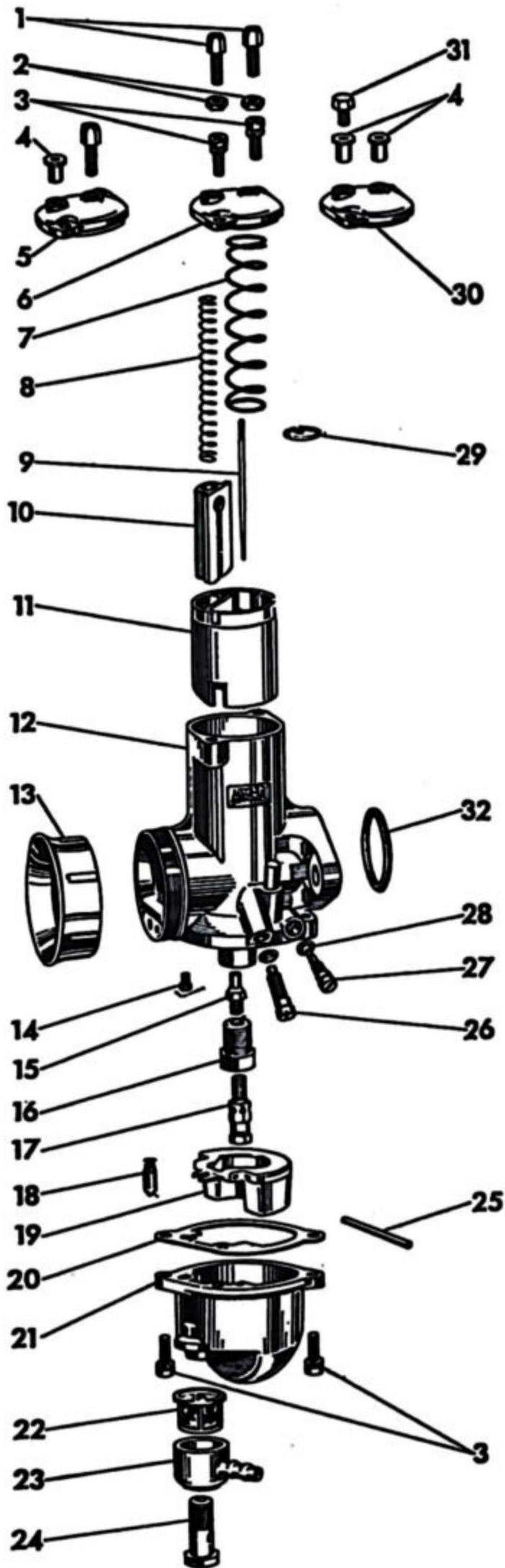
| | | | | |
|------|------------|--|---|--|
| A28 | 23358 | Carburettor spacer | 2 | |
| | 06.0509 | Carburettor manifold | 2 | |
| | 06.0670 | Balance union | 2 | |
| A142 | 11775 | Balance union washer | 2 | |
| | 23580 | Balance pipe hose $5\frac{1}{2}$ in. | 1 | |
| A143 | 06.0577 | Carburettor fixing stud | 4 | |
| A29 | 06.0348 | Carburettor fixing stud nut | 4 | |
| C32 | 23412 | Inlet manifold screw | 4 | |
| | 033281 | Carburettor flange "O" ring | 2 | |
| | 06.0586 | Carburettor complete (left hand) less cables 930/27 | 1 | |
| C12 | 06.0587 | Carburettor complete (right hand) less cables 930/26 | 1 | |
| | L930-002 | Body only (left hand) | 1 | |
| C12 | R930-001 | Body only (right hand) | 1 | |
| C21 | 622-050 | Float chamber body | 2 | |
| C11 | 928-060 | Throttle valve—size 3 | 2 | |
| C10 | 928-062 | Air valve | 2 | |
| C5 | 928-064 | Mixing chamber top | 2 | |
| C7 | 622-131 | Throttle valve spring | 2 | |
| C8 | 622-065 | Air valve spring | 2 | |
| C29 | 622-067 | Throttle needle clip | 2 | |
| C9 | 622-1243/1 | Throttle needle | 2 | |
| C18 | 622-068 | Float needle | 2 | |
| C19 | 622-069 | Float | 2 | |
| C25 | 622-071 | Float spindle | 2 | |
| C20 | 622-073 | Float chamber washer | 2 | |
| C27 | 622-076 | Pilot air adjuster screw | 2 | |
| C26 | 622-077 | Throttle stop | 2 | |
| C24 | 622-078 | Banjo bolt | 2 | |
| C15 | 622-122 | Needle jet | 2 | |
| C16 | 622-128 | Jet holder | 2 | |
| C17 | 376-100 | Main jet | 2 | |
| C14 | 124-026 | Pilot jet | 2 | |
| | 622-101 | Flange "O" ring | 2 | |
| C3 | 14-032 | Tickler spring | 2 | |
| | 622-086 | Float chamber, mixing chamber top screw | 4 | |
| C23 | 376-097 | Banjo union | 2 | |
| C28 | 622-082 | "O" ring | 4 | |
| C2 | 5-077 | Cable adjuster lock nut | 4 | |
| C1 | 4-035 | Cable adjuster | 4 | |
| | 622-089 | Tickler stem | 2 | |
| | 622-081 | Tickler head | 2 | |

EXHAUST PIPE

| | | | | |
|-----|---------|-------------------------------|---|--|
| A34 | 06.0620 | Exhaust pipe bare (left) | 1 | |
| | 06.0621 | Exhaust pipe bare (right) | 1 | |
| | 18092 | Exhaust pipe lock ring | 2 | |
| | T.2166 | Exhaust pipe lock ring washer | 2 | |

SILENCERS

| | | | | |
|--|---------|-------------------------------|---|--|
| | 23768 | Silencer left hand | 1 | |
| | 23767 | Silencer right hand | 1 | |
| | 16255 | Silencer clip | 2 | |
| | 06.0727 | Silencer clamping bolt | 2 | |
| | 000011 | Silencer clamping bolt washer | 4 | |



Amal concentric carburettor

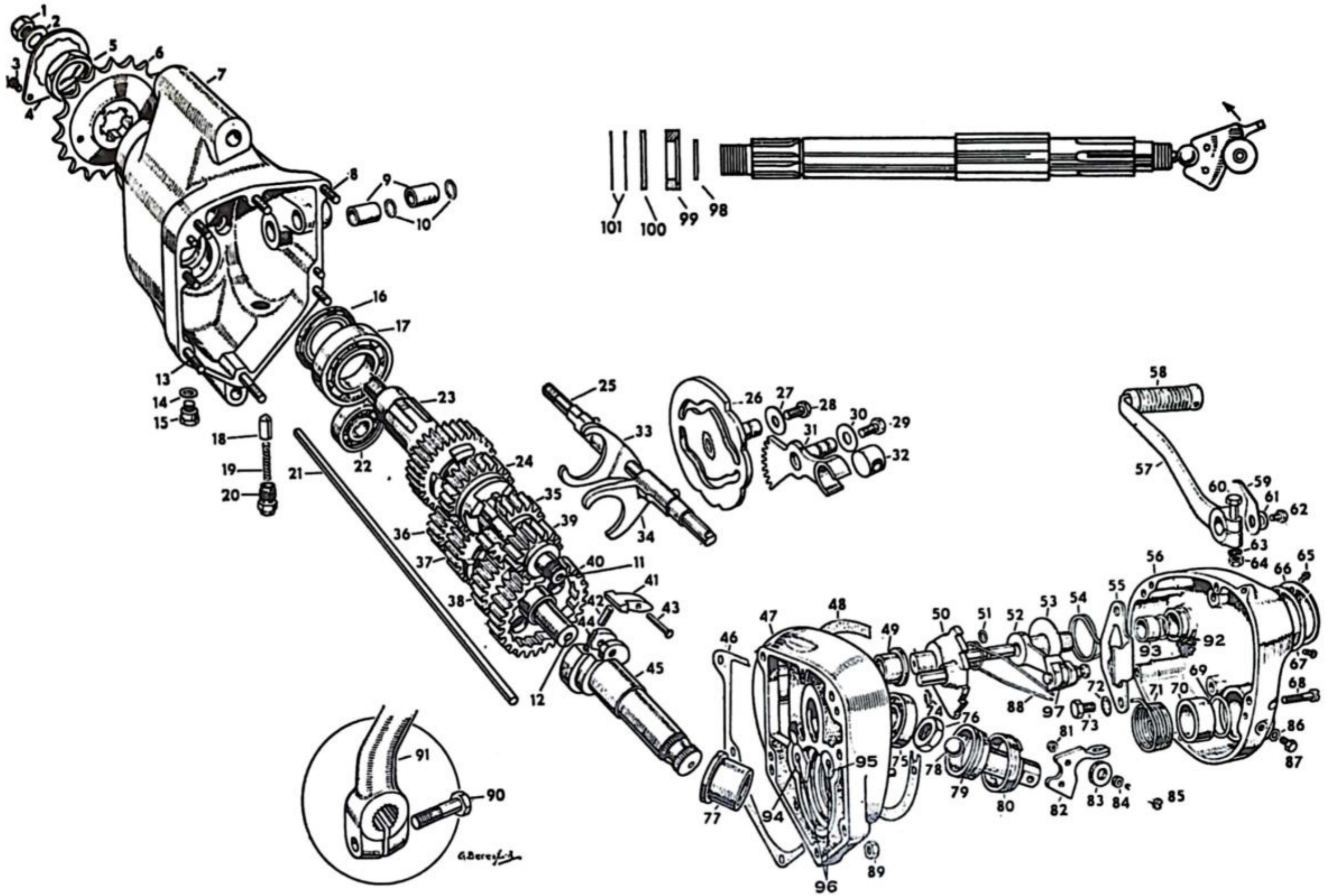
- 1 Cable adjuster
- 2 Cable-adjuster locknut
- 3 Float-chamber and mixing-chamber-top securing screws
- 4 Cable ferrules
- 5 Mixing-chamber top for adjuster and ferrule
- 6 Mixing-chamber top (standard)
- 7 Throttle-valve spring
- 8 Air-valve spring
- 9 Throttle needle
- 10 Air valve
- 11 Throttle valve
- 12 Carburettor body
- 13 Air-intake tube
- 14 Pilot jet
- 15 Needle jet
- 16 Jet holder
- 17 Main jet
- 18 Float needle
- 19 Float
- 20 Float-chamber washer
- 21 Float-chamber body
- 22 Filter
- 23 Banjo union
- 24 Banjo bolt
- 25 Float spindle
- 26 Throttle-stop adjusting screw
- 27 Pilot-air adjusting screw
- 28 'O' Rings
- 29 Needle clip
- 30 Mixing-chamber top for two ferrules
- 31 Plug for mixing-chamber top
- 32 'O' ring for flange sealing

C CARBURETTOR

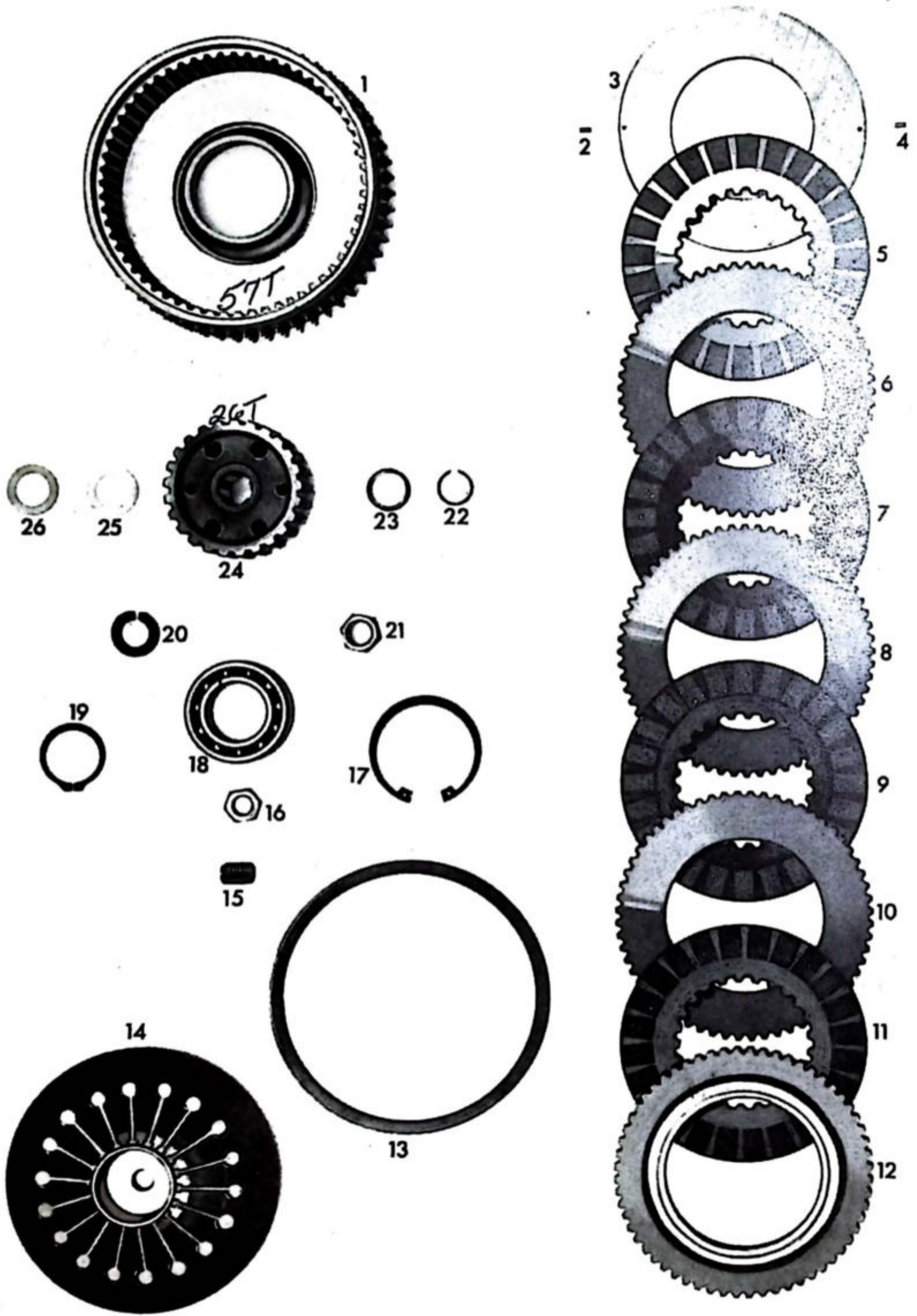
| Plate No. | Part No. | Description | Qty. | Bin No. |
|-----------------------------|----------|--|------|---------|
| SILENCERS—continued | | | | |
| | 06.0348 | Silencer clamping bolt nut ... | 2 | |
| J24 | 06.0563 | Silencer stay left hand ... | 2 | |
| J26 | 06.0564 | Silencer stay right hand ... | 2 | |
| | 13053 | Silencer stay bolt ... | 4 | |
| | 18202 | Silencer stay bolt washer ... | 4 | |
| J34 | 06.0863 | Silencer bolt (bracket to frame) ... | 2 | |
| J33 | 000010 | Silencer bolt washer ... | 4 | |
| J32 | 06.0029 | Silencer bolt nut ... | 2 | |
| J25 J31 | 06.0622 | Silencer rubber mounting ... | 4 | |
| J27 J30 | 000011 | Silencer rubber mounting washer ... | 8 | |
| J28 J29 | 06.0348 | Silencer rubber mounting nut ... | 8 | |
| | E.3231 | Silencer stay bolt nut... ... | 4 | |
| CHAINS | | | | |
| | 06.0366 | Front chain ... | 1 | |
| | 017376 | Rear chain (19 teeth sprocket) ... | 1 | |
| | 18257 | Contact breaker chain ... | 1 | |
| | 17806 | Camshaft chain ... | 1 | |
| | 033156 | Rear chain (21 teeth sprocket) ... | 1 | |
| GEARBOX FIXING PARTS | | | | |
| | 14367 | Fixing bolt top ... | 1 | |
| | 030023 | Fixing bolt top washer ... | 1 | |
| | 06.0420 | Fixing bolt top nut ... | 1 | |
| | 06.0597 | Pivot stud ... | 1 | |
| | 000008 | Pivot stud washer ... | 2 | |
| | 06.0625 | Pivot stud nut ... | 2 | |
| | 16997 | Gearbox adjuster ... | 1 | |
| | E.3231 | Gearbox adjuster nut ... | 2 | |
| | 06.0595 | Gearbox adjuster crosshead ... | 1 | |
| | 000010 | Gearbox adjuster crosshead washer ... | 1 | |
| | 06.0029 | Gearbox adjuster crosshead nut ... | 1 | |
| GEARBOX SHELL | | | | |
| | 06.0543 | Gearbox complete (less clutch and kickstart) ... | 1 | |
| D7 | 06.0808 | Shell with two bushes and studs ... | 1 | |
| D47 | 040467 | Kickstart case (inner)... ... | 1 | |
| D56 | 06.0740 | Kickstart cover (outer) ... | 1 | |
| D46 | 040030 | Inner case gasket ... | 1 | |
| D48 | 040055 | Outer cover gasket ... | 1 | |
| D15 | 040138 | Drain plug ... | 1 | |
| D14 | 000200 | Drain plug washer ... | 1 | |
| D87 | 040137 | Oil level plug ... | 1 | |
| D86 | 000203 | Oil level plug washer... ... | 1 | |
| D66 | 041104 | Inspection cover ... | 1 | |
| D67 | 040057 | Inspection cover gasket ... | 1 | |
| D65 | 000450 | Inspection cover screw ... | 2 | |
| | 000577 | Kickstart-case dowel ... | 2 | |
| D13 | 040064 | Kickstart-case stud ... | 2 | |
| D8 | 000271 | Kickstart-case stud ... | 5 | |
| D89 | 000004 | Kickstart-case stud nut ... | 7 | |
| | 000577 | Kickstart-cover dowel ... | 2 | |
| D68 | 000482 | Kickstart-cover screw ... | 5 | |
| GEARS AND SHAFTS | | | | |
| D11 | 06.0384 | Gearbox mainshaft ... | 1 | |
| D12 | 040025 | Gearbox layshaft ... | 1 | |
| D23 | 06.1057 | Main gear with bushes ... | 1 | |
| D39 | 06.1481 | Mainshaft first gear ... | 1 | |
| D35 | 040418 | Mainshaft second gear ... | 1 | |
| D24 | 040635 | Mainshaft third gear ... | 1 | |
| D40 | 06.1482 | Layshaft first gear ... | 1 | |
| D38 | 040633 | Layshaft second gear ... | 1 | |
| D37 | 040634 | Layshaft third gear ... | 1 | |
| D36 | 06.1058 | Layshaft top gear pinion ... | 1 | |
| | 040062 | Main driving gear bush ... | 2 | |
| | 040048 | Mainshaft second gear bush ... | 1 | |
| | 040047 | Layshaft third gear bush ... | 1 | |
| | 040046 | Layshaft first gear bush ... | 1 | |

D GEARBOX

12

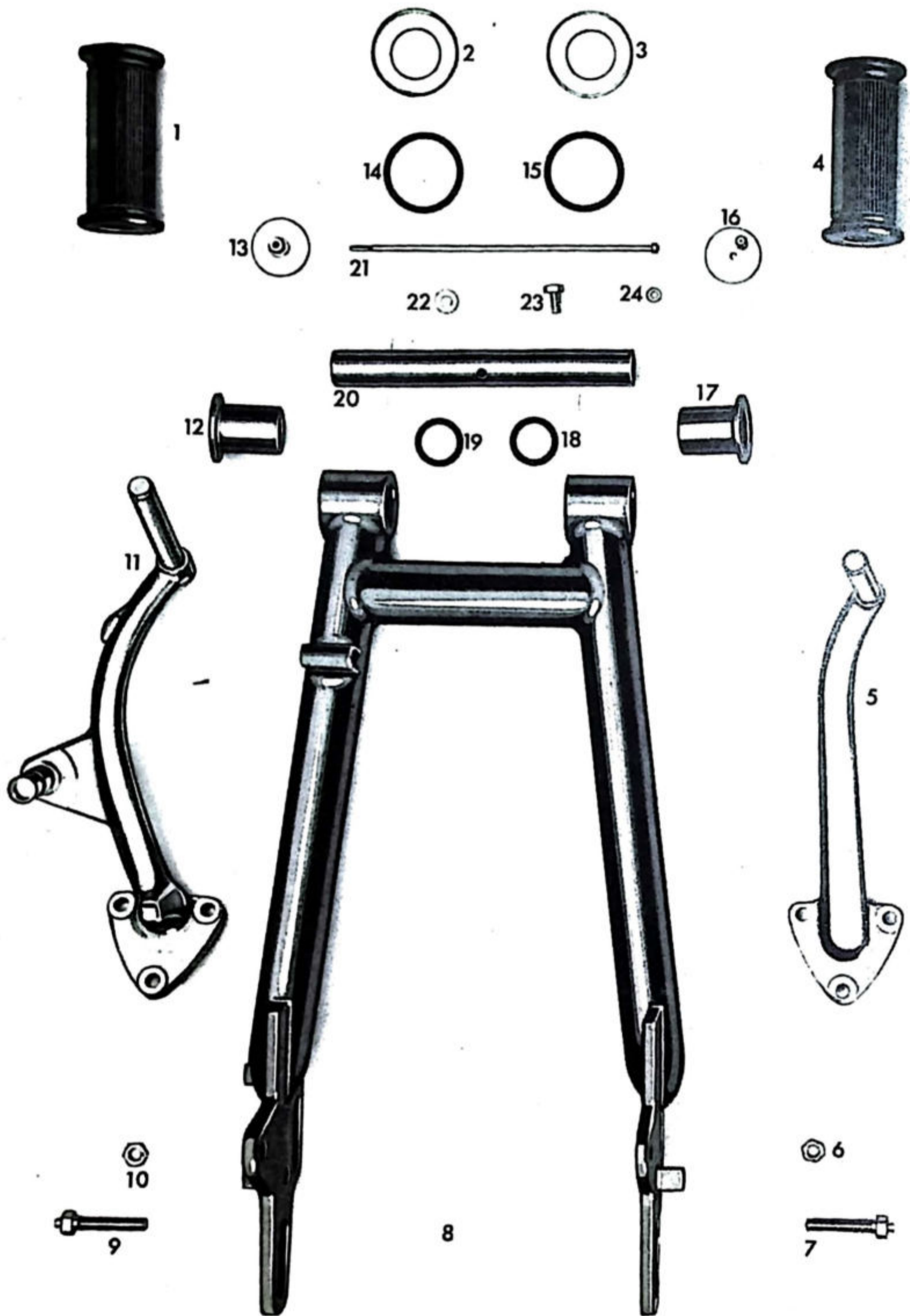


| Plate No. | Part No. | Description | Qty. | Bin No. |
|-----------------------------------|----------|--|------|---------|
| GEARBOX BEARINGS AND SEALS | | | | |
| D17 | 040098 | Main gear ball bearing | 1 | |
| D75 | 040099 | Mainshaft ball bearing in kickstart case | 1 | |
| D22 | 040100 | Layshaft ball bearing in shell | 1 | |
| D9 | 040056 | Cam plate/quadrant bush in shell | 2 | |
| D16 | 040132 | Main gear bearing oil seal | 1 | |
| D10 | 040129 | Quadrant and cam plate "O" ring seal | 2 | |
| D77 | 040473 | Kickstart spindle bush in kickstart case | 1 | |
| D49 | 040061 | Footchange spindle bush in kickstart case | 1 | |
| D70 | 040472 | Kickstart spindle bush in cover | 1 | |
| D93 | 040063 | Footchange spindle bush in cover | 1 | |
| D51 | 040079 | Ratchet spindle "O" ring | 1 | |
| D92 | 040006 | Footchange spindle and pawl carrier "O" ring | 1 | |
| D69 | 040005 | Kickstart "O" ring | 2 | |
| | 040062 | Sleeve gear bush | 1 | |
| | 040032 | Kick start shaft bush | 1 | |
| GEARBOX SPROCKET | | | | |
| D6 | 040480 | Gearbox sprocket (final drive) 19 teeth $\frac{3}{8}$ in. \times $\frac{3}{8}$ in. | 1 | |
| D6 | 06.0721 | Gearbox sprocket (final drive) 21 teeth $\frac{3}{8}$ in. \times $\frac{3}{8}$ in. | 1 | |
| | 040131 | Gearbox sprocket spacer | 1 | |
| D5 | 040070 | Gearbox sprocket nut | 1 | |
| D4 | 040076 | Gearbox sprocket lock washer | 1 | |
| D3 | 000450 | Gearbox sprocket lock washer screw | 1 | |
| GEAR CHANGE | | | | |
| D26 | 040018 | Cam plate only | 1 | |
| | 040015 | Spindle only | 1 | |
| D31 | 040109 | Quadrant assembly | 1 | |
| D27 D30 | 000174 | Washer for cam plate and quadrant spindle | 2 | |
| D29 D28 | 040136 | Screw for cam plate and quadrant spindle | 2 | |
| D34 D33 | 040022 | Selector fork | 2 | |
| D25 | 040035 | Selector fork shaft | 1 | |
| D50 | 040111 | Ratchet gear assembly | 1 | |
| D32 | 040078 | Knuckle pin roller | 1 | |
| D88 | 040038 | Gear change pawl spring | 1 | |
| D52 | 040110 | Pawl carrier assembly | 1 | |
| | 040002 | Pawl carrier only | 1 | |
| | 040067 | Pawl carrier pin | 1 | |
| D97 | 040024 | Footchange pawl | 1 | |
| D74 | 040049 | Circlip for pawl | 1 | |
| | 040066 | Ratchet spindle | 1 | |
| D54 | 040479 | Gear change return spring | 1 | |
| D53 | 040135 | Return spring washer | 1 | |
| D55 | 040052 | Gear change stop plate | 1 | |
| D73 | 041400 | Stop plate screw | 2 | |
| D72 | 014117 | Stop plate screw spring washer | 2 | |
| D57 | 06.0929 | Footchange pedal | 1 | |
| D58 | 040086 | Footchange pedal rubber | 1 | |
| D60 | 040105 | Footchange pedal bolt | 1 | |
| D63 | 045062 | Footchange pedal bolt washer | 1 | |
| D64 | 000005 | Footchange pedal bolt nut | 1 | |
| D59 | 040051 | Gear indicator | 1 | |
| D62 | 040137 | Gear indicator screw | 1 | |
| D61 | 000012 | Indicator screw washer | 1 | |
| D18 | 040034 | Cam plate plunger | 1 | |
| D19 | 040442 | Cam plate plunger spring | 1 | |
| D20 | 040036 | Cam plate plunger bolt | 1 | |
| CLUTCH | | | | |
| | 06.0741 | Clutch complete | 1 | |
| E1 | 06.0742 | Clutch sprocket <i>5.7T</i> | 1 | |
| E3 | 06.0744 | Clutch back plate | 1 | |
| E5 7 9 11 | 06.0749 | Clutch friction plate bonded | 4 | |
| E6 8 10 | 06.0746 | Clutch plain plate | 3 | |
| E12 | 06.0745 | Clutch pressure plate | 1 | |
| E14 | 06.0770 | Clutch spring and clutch spring centre assembly | 1 | |
| E15 | 06.0308 | Clutch adjuster | 1 | |
| E16 | 06.0005 | Clutch adjuster nut | 1 | |
| E24 | 06.0743 | Clutch centre <i>26T</i> | 1 | |
| E21 D1 | 040373 | Clutch retaining nut | 1 | |
| E20 D2 | 040374 | Clutch retaining washer | 1 | |
| E22 D98 | 06.0752 | Clutch locating circlip | 1 | |
| E23 D99 | 06.0747 | Clutch locating spacer | 1 | |



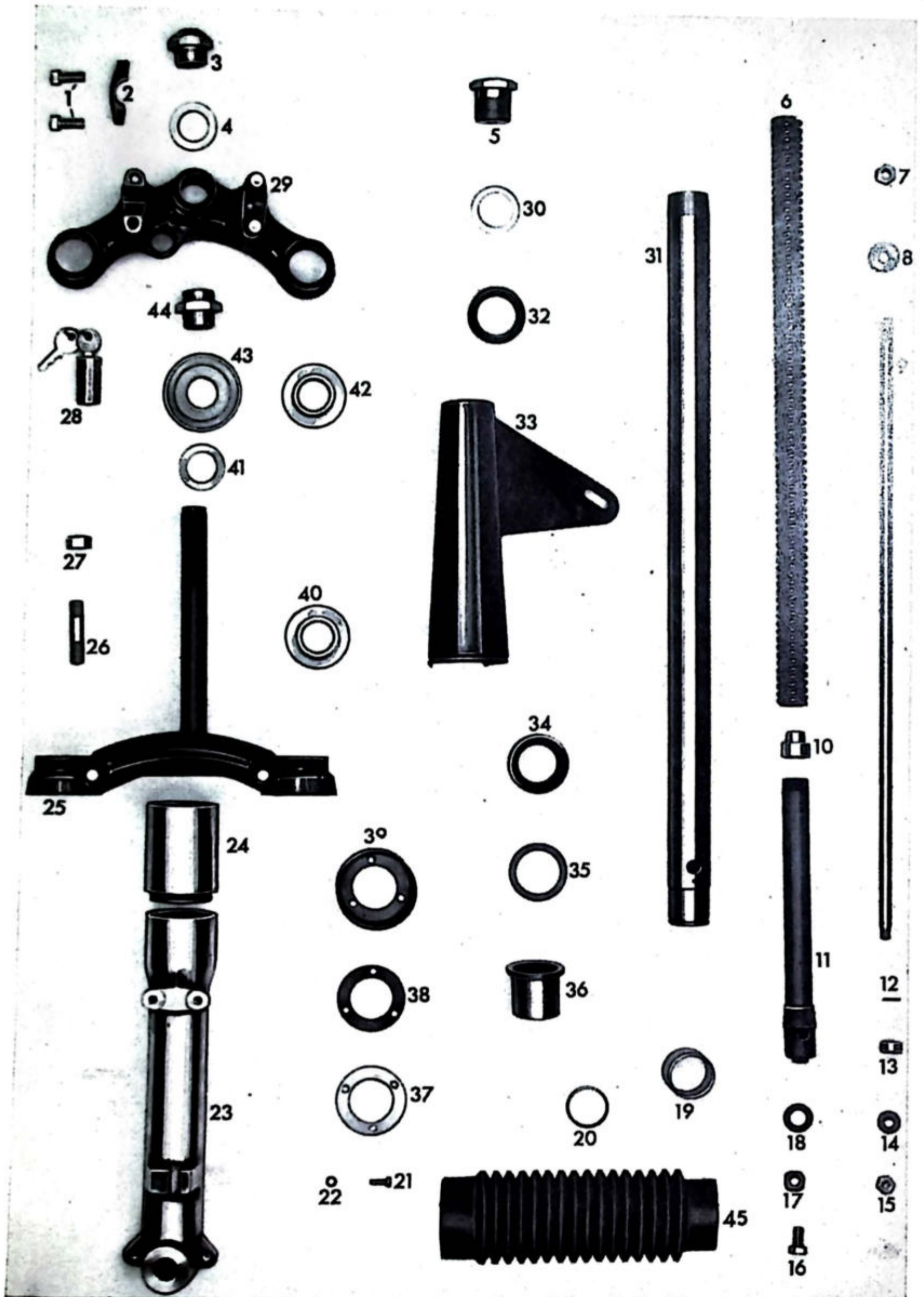
E CLUTCH

| Plate No. | Part No. | Description | Qty. | Bin No. |
|-------------------------------|----------|---|------|---------|
| CLUTCH—continued | | | | |
| E25 D101 | 06.0894 | Clutch shim .032 in. ... | ... | AR |
| E26 D100 | 06.0895 | Clutch shim .048 in. ... | ... | AR |
| E18 | 06.0750 | Clutch bearing ... | ... | |
| E19 | 06.0753 | Clutch bearing circlip inner ... | ... | |
| E17 | 06.0754 | Clutch bearing circlip outer ... | ... | |
| E13 | 06.0751 | Clutch spring circlip ... | ... | |
| E2 E4 | 06.0756 | Drive pin (back plate to sprocket) ... | ... | 2 |
| CLUTCH OPERATING PARTS | | | | |
| D21 | 040084 | Clutch rod ... | ... | |
| D82 | 06.0715 | Operating lever ... | ... | |
| D79 | 040059 | Operating lever body ... | ... | |
| D80 | 040003 | Operating body locking ring ... | ... | |
| D78 | 040031 | Operating ball ... | ... | |
| D83 | 040060 | Operating roller ... | ... | |
| D84 | 040065 | Roller sleeve ... | ... | |
| D85 | 000457 | Roller screw ... | ... | |
| D81 | 011846 | Roller screw nut ... | ... | |
| KICKSTART | | | | |
| D45 | 040477 | Kickstart axle with bush ... | ... | |
| | 040146 | Kickstart axle bush ... | ... | |
| D41 | 040017 | Axle pawl ... | ... | |
| D43 | 040033 | Pawl pin ... | ... | |
| D44 | 040044 | Pawl spring ... | ... | |
| D42 | 040069 | Pawl plunger ... | ... | |
| D94 | 040042 | Axle stop ... | ... | |
| D95 | 040071 | Axle cam ... | ... | |
| D96 | 040041 | Axle cam rivet ... | ... | |
| D96 | 040474 | Axle stop rivet ... | ... | |
| D76 | 040023 | Mainshaft nut kickstart end ... | ... | |
| | 06.0598 | Kickstart crank assembly—folding type ... | ... | |
| D91 | 06.0488 | Kickstart crank only—folding type ... | ... | |
| | 033218 | Kickstart pedal rubber ... | ... | |
| | 042934 | Folding crank pedal pin ... | ... | |
| | 06.0550 | Pedal pin domed nut ... | ... | |
| | 040433 | Pedal pin spring washer ... | ... | |
| | 000010 | Pedal pin plain washer ... | ... | |
| D90 | 06.0599 | Crank-to-axle clamping bolt ... | ... | |
| D71 | 040475 | Kickstart crank return spring ... | ... | |
| FRAME | | | | |
| | 06.1130 | Frame ... | ... | |
| SWINGING ARM | | | | |
| F8 | 06.0441 | Swinging arm only ... | ... | |
| F24 | 06.0871 | Bearing cap washer ... | ... | |
| | 000051 | Grease nipple ... | ... | |
| F23 | 06.0327 | Oil screw plug ... | ... | |
| F22 | 000012 | Oil screw plug washer ... | ... | |
| F13 | 06.0869 | Bearing end cap left hand ... | ... | |
| F16 | 06.0868 | Bearing end cap right hand ... | ... | |
| F18 F19 | 06.0448 | Bearing end cap "O" ring ... | ... | 2 |
| F21 | 06.0873 | Bearing cap rod assembled ... | ... | |
| F12 F17 | 06.0447 | Swinging arm bearing ... | ... | 2 |
| F20 | 06.0453 | Swinging arm spindle ... | ... | |
| F2 F3 | 06.0446 | Swinging arm bearing cover ... | ... | 2 |
| F14 F15 | 06.0449 | Swinging arm bearing "O" ring (large) ... | ... | 2 |
| F7 F9 | 06.0650 | Rear chain adjuster ... | ... | 2 |
| F6 F10 | 06.0651 | Rear chain adjuster nut ... | ... | 2 |
| REAR SUSPENSION UNITS | | | | |
| | 06.0461 | Rear suspension unit ... | ... | 2 |
| | 06.0465 | Rear suspension unit top bolt ... | ... | 4 |
| | 000010 | Rear suspension unit top bolt washer ... | ... | 2 |
| | 06.0029 | Rear suspension unit top bolt nut ... | ... | 2 |
| | 06.0463 | Rear suspension unit bottom bolt ... | ... | 2 |
| | 23298 | Rear suspension unit bottom bolt washer ... | ... | 2 |
| | 22636 | Rear suspension unit bottom bolt washer ... | ... | 2 |
| | 06.0029 | Rear suspension unit bottom bolt nut ... | ... | 2 |
| | 06.1082 | Spring (110 lbs.) ... | ... | 2 |
| | 023481 | Cover ... | ... | 2 |



F SWINGING ARM

| Plate No. | Part No. | Description | Qty. | Bin No. |
|---------------------|----------|-----------------------------------|------|---------|
| CENTRE STAND | | | | |
| | 06.0589 | Centre stand ... ^x | 1 | |
| | 06.0629 | Centre stand bush | 2 | |
| | 000009 | Centre stand washer | 4 | |
| | 06.0630 | Centre stand bolt | 2 | |
| | 06.0631 | Centre stand bolt nut | 2 | |
| | 06.0588 | Centre stand spring | 1 | |
| PROP STAND | | | | |
| | 06.0766 | Prop stand leg... | 1 | |
| | 033278 | Prop stand pivot | 1 | |
| | 033279 | Prop stand pivot circlip | 2 | |
| | 06.0765 | Prop stand clip lug | 1 | |
| | 06.0779 | Prop stand clip lug stud | 1 | |
| | 06.0348 | Prop stand clip lug stud nut | 2 | |
| | 000011 | Prop stand clip lug stud washer | 2 | |
| | 06.0768 | Prop stand spring | 1 | |
| | 033273 | Prop stand spring lug... | 1 | |
| FOOTRESTS | | | | |
| | 06.0944 | Footrest support plate left hand | 1 | |
| | 06.0945 | Footrest support plate right hand | 1 | |
| | 06.0471 | Footrest support spacer | 4 | |
| | 06.0472 | Footrest support spacer | 2 | |
| | 06.0858 | Footrest support bolt | 2 | |
| | 000010 | Footrest support bolt washer | 4 | |
| | 06.0029 | Footrest support bolt nut | 2 | |
| F11 | 06.0475 | Footrest left hand | 1 | |
| F5 | 06.0473 | Footrest right hand | 1 | |
| | 06.0626 | Footrest fixing stud | 6 | |
| | 000011 | Footrest fixing stud washer | 6 | |
| | 06.0348 | Footrest fixing stud nut | 6 | |
| F1, F4 | 19983 | Footrest rubber | 2 | |
| | 19984 | Footrest spindle | 1 | |
| FRONT FORKS | | | | |
| | 06.0990 | Fork complete... | 1 | |
| G29 | 06.0335 | Handlebar lug | 1 | |
| G2 | 19021A | Handlebar lug clip | 2 | |
| G1 | 06.0333 | Handlebar lug clip allen screw | 4 | |
| G25 | 06.0344 | Fork crown | 1 | |
| | 030517 | Transfer "Made in England" | 1 | |
| G42 | 030098 | Handlebar lug ball race | 1 | |
| | 030097 | Frame ball race top | 1 | |
| | 030097 | Frame ball race bottom | 1 | |
| G40 | 030098 | Fork crown ball race | 1 | |
| | 000021 | Steering ball | 36 | |
| G41 | 17429 | Ball race washer | 2 | |
| G43 | 15628 | Ball race dust cover | 1 | |
| G44 | 06.0341 | Head nut | 1 | |
| G4 | 15627 | Head nut washer | 1 | |
| G3 | 06.0340 | Head nut top | 1 | |
| G26 | 06.0336 | Fork crown pinch stud | 2 | |
| G27 | 06.0337 | Fork crown pinch stud nut | 2 | |
| G5 | 06.0345 | Inner tube top bolt | 2 | |
| G30 | T.320 | Inner tube top bolt washer | 2 | |
| G33 | 031544 | Top cover tube left hand | 1 | |
| | 031545 | Top cover tube right hand | 1 | |
| G32 | T.597 | Top cover tube spigot rubber | 2 | |
| | 25117 | "Roadholder" transfer | 2 | |
| G39 | 030531 | Bottom cover tube | 2 | |
| G38 | 06.0760 | Bottom cover tube seal | 2 | |
| G37 | 06.0762 | Bottom cover tube washer | 2 | |
| G21 | 000451 | Bottom cover tube screw | 6 | |
| G22 | 000190 | Bottom cover washer | 6 | |
| G24 | 06.0350 | Slider extension | 2 | |
| | 06.0351 | Slider left hand | 1 | |
| G23 | 06.0352 | Slider right hand | 1 | |
| | 06.0354 | Slider drain plug | 2 | |
| | 000203 | Slider drain plug washer | 2 | |
| | 06.0353 | Slider pinch stud | 1 | |
| | 06.0348 | Slider pinch stud nut | 1 | |
| G11 | 06.0299 | Damper tube | 2 | |



G FORKS

| Plate No. | Part No. | Description | Qty. | Bin No. |
|------------------------------|----------|------------------------------------|------|---------|
| FRONT FORKS—continued | | | | |
| G16 | 06.0359 | Damper tube anchor bolt ... | 2 | |
| G17 | T.1009 | Damper tube anchor bolt washer ... | 2 | |
| G18 | T.814 | Damper tube anchor bolt washer ... | 2 | |
| G10 | 06.0360 | Damper tube cap ... | 2 | |
| G9 | 06.0346 | Damper rod ... | 2 | |
| G7 | 06.0347 | Damper rod lock nut... | 2 | |
| G13 | 14118B | Damper valve ... | 2 | |
| G12 | 14119 | Damper valve stop pin ... | 2 | |
| G14 | 030584 | Damper valve seat ... | 2 | |
| G15 | 06.0348 | Damper valve seat nut ... | 2 | |
| G31 | 06.0302 | Main fork tube ... | 2 | |
| G34 | 17713 | Main fork tube oil seal ... | 2 | |
| G35 | T.1049 | Main fork tube oil seal washer ... | 2 | |
| G36 | T.1055 | Main fork tube guide bush ... | 2 | |
| G19 | T.1048 | Main fork tube bush bottom ... | 2 | |
| G20 | 14298 | Main fork tube bush circlip ... | 2 | |
| G6 | 18813 | Fork spring ... | 2 | |
| G8 | 25003 | Fork spring locating bush ... | 2 | |
| G45 | 020463 | Fork gaiter ... | 2 | |
| G28 | 030175 | Steering lock (with 2 keys) ... | 1 | |

HANDLEBAR

| | | | | |
|----|---------|------------------------|---|--|
| H2 | 06.0729 | Handlebar (Export) ... | 1 | |
| | 06.0784 | Handlebar (Home) ... | 1 | |

FRONT MUDGUARD

| | | | |
|---------|--|---|--|
| 06.0584 | Front mudguard (Home) ... | 1 | |
| 06.0583 | Front mudguard (Export) ... | 1 | |
| 06.0356 | Front mudguard bridge stud (Slider) ... | 4 | |
| 000012 | Front mudguard bridge stud washer ... | 4 | |
| 06.0355 | Front mudguard bridge stud nut ... | 4 | |
| 06.0619 | Front mudguard stay, front ... | 1 | |
| 06.0619 | Front mudguard stay, rear ... | 1 | |
| 06.0357 | Front mudguard stay bolt-slider ... | 4 | |
| 000011 | Front mudguard stay washer ... | 4 | |
| 06.0677 | Front mudguard stay bolt to mudguard ... | 5 | |
| 000039 | Front mudguard stay bolt washer ... | 5 | |
| 000190 | Front mudguard stay bolt washer ... | 5 | |
| 06.0678 | Front mudguard stay bolt nut ... | 5 | |

REAR MUDGUARD

| | | | |
|---------|---|---|--|
| 06.0507 | Rear mudguard ... | 1 | |
| 000012 | Rear mudguard fixing bolt washer ... | 1 | |
| 06.0403 | Rear mudguard fixing bolt nut ... | 1 | |
| 06.0652 | Rear mudguard-horn bracket bolt ... | 1 | |
| 06.0862 | Rear mudguard-horn bracket bolt nut ... | 1 | |
| 06.0359 | Rear mudguard bottom bolt ... | 3 | |

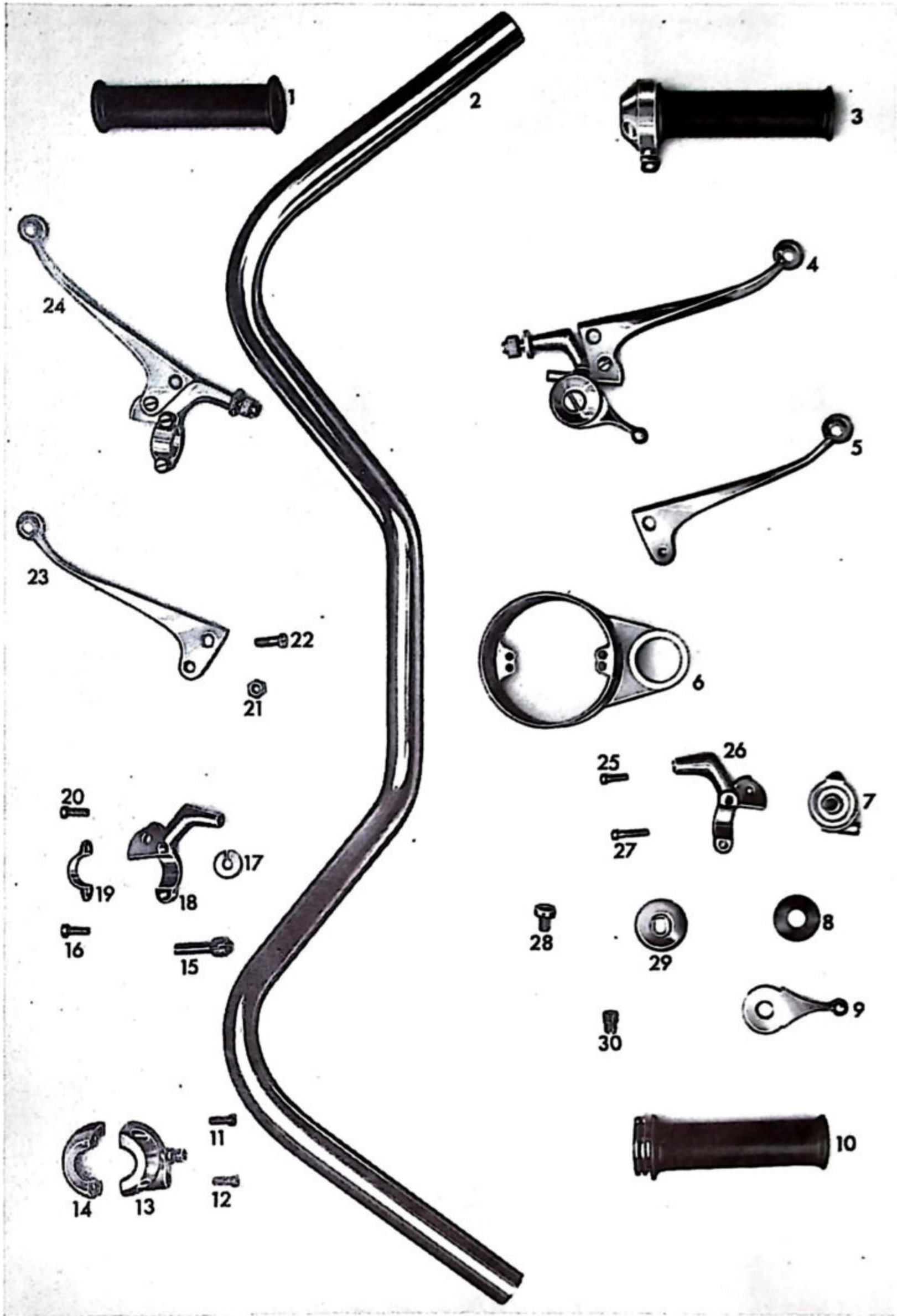
FRONT NUMBER PLATE

| | | | |
|--------|---|---|--|
| 011835 | Front number plate ... | 1 | |
| 18755 | Front number plate bead ... | 1 | |
| 011836 | Front number plate stanchion ... | 2 | |
| 000012 | Front number plate stanchion washer ... | 2 | |
| 000005 | Front number plate stanchion nut ... | 2 | |
| 000861 | Front number plate screw ... | 2 | |

REAR NUMBER PLATE

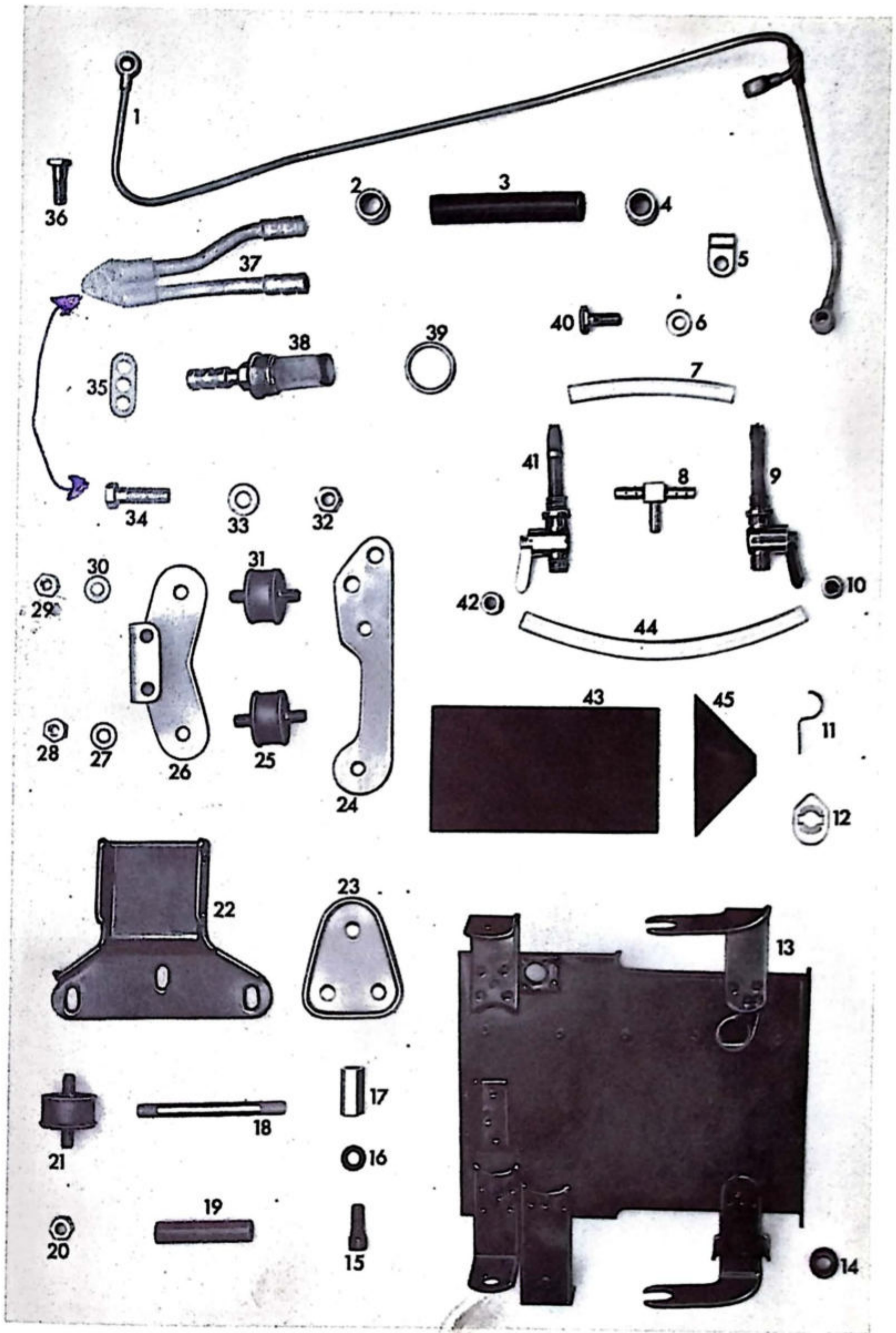
| | | | |
|---------|--|---|--|
| 06.0646 | Rear number plate ... | 1 | |
| 06.0865 | Rear number plate bracket bolt ... | 2 | |
| 000012 | Rear number plate bracket bolt washer ... | 2 | |
| 033057 | Rear number plate bracket bolt nut ... | 1 | |
| 06.0644 | Number plate fairing ... | 1 | |
| 021503 | Side reflector (rear)—Red ... | 2 | |
| 06.0934 | Side reflector (front)—Amber (Export only) ... | 2 | |
| 06.0890 | Side reflector (front) bracket (Export only) ... | 2 | |
| 06.0643 | Number plate fairing spacer ... | 2 | |
| 06.0909 | Rear lamp screw ... | 2 | |
| 06.0859 | Rear light fairing top bolt ... | 1 | |

| Plate No. | Part No. | Description | Qty. | Bin No. |
|---------------------------------|----------|---|------|---------|
| HAND BRAKE AND AIR LEVER | | | | |
| H4 | 06.0690 | Front brake and air lever assembly ... | ... | |
| H5 | 18-754 | Front brake lever only ... | ... | |
| H26 | 06.0061 | Front brake lever body ... | ... | |
| H22 | 18-087 | Lever pivot screw ... | ... | |
| H21 | 18-053 | Pivot screw nut ... | ... | |
| H9 | 12-556 | Air lever only ... | ... | |
| H7 | 12-619 | Air lever body... ... | ... | |
| H28 | 12-607 | Air lever central body ... | ... | |
| H29 | 12-606 | Air lever cap ... | ... | |
| H8 | 12-033 | Air lever spring washer ... | ... | |
| H25 | 11-013 | Body clamping screw ... | ... | |
| H27 | 11-014 | Body clamping screw ... | ... | |
| | 023707 | Brake lever trunnion ... | ... | |
| H15 | 18-1005 | Adjuster for cable ... | ... | |
| H17 | 18-1066 | Nut for adjuster ... | ... | |
| CLUTCH LEVER | | | | |
| H24 | 06.0691 | Clutch lever assembly ... | ... | |
| H23 | 18-752 | Lever only ... | ... | |
| H18 | 06.0062 | Body only ... | ... | |
| H22 | 18-087 | Lever pivot screw ... | ... | |
| H21 | 18-053 | Pivot screw nut ... | ... | |
| H19 | 12-595 | Lever body clamp ... | ... | |
| H20, H16 | 11-014 | Body clamp screw ... | ... | 2 |
| | 023707 | Clutch lever trunnion ... | ... | |
| H15 | 18-1005 | Adjuster for cable ... | ... | |
| H17 | 18-1066 | Nut for adjuster ... | ... | |
| TWIST GRIP | | | | |
| H3 | 016658 | Twist grip assembled ... | ... | |
| H14 | 16-060 | Body (top half) ... | ... | |
| H13 | 16-061 | Body (bottom half) ... | ... | |
| H10 | 16-091 | Rotor only ... | ... | |
| H12 | 11-013 | Clamping screw—long ... | ... | |
| H11 | 11-014 | Clamping screw—short ... | ... | |
| | 16-008 | Friction spring... ... | ... | |
| | 16-009 | Friction spring screw ... | ... | |
| | 16-010 | Screw lock nut ... | ... | |
| H10 | 16-070 | Plastic rotor grip ... | ... | |
| H1 | 16-069 | Plastic dummy grip ... | ... | |
| H1 | 023740 | Dummy grip ... | ... | |
| H30 | 026476 | Slotted abutment ... | ... | |
| BRAKE CABLE | | | | |
| | 06.0924 | Front brake cable assembled (Home) ... | ... | |
| | 06.0918 | Front brake cable assembled (Export) ... | ... | |
| O13 | 06.0482 | Rear brake cable assembled ... | ... | |
| CLUTCH CABLE | | | | |
| | 06.0930 | Clutch cable assembled (Home) ... | ... | |
| | 06.0919 | Clutch cable assembled (Export) ... | ... | |
| AIR CABLE | | | | |
| | 031614 | Air cable—handlebar end (Home) ... | ... | |
| | 06.0908 | Air cable—handlebar end (Export) ... | ... | |
| | 033144 | Air cable—carburettor end ... | ... | 2 |
| | 018956 | Midway adjuster ... | ... | |
| | 019824 | Junction box for control cables ... | ... | |
| THROTTLE CABLE | | | | |
| | 06.0923 | Throttle cable—handlebar end (Home) ... | ... | |
| | 031612 | Throttle cable—handlebar end (Export) ... | ... | |
| | 033145 | Throttle cable carburettor end ... | ... | 2 |
| | 018956 | Midway adjuster ... | ... | |
| | 019824 | Junction box for control cables ... | ... | |



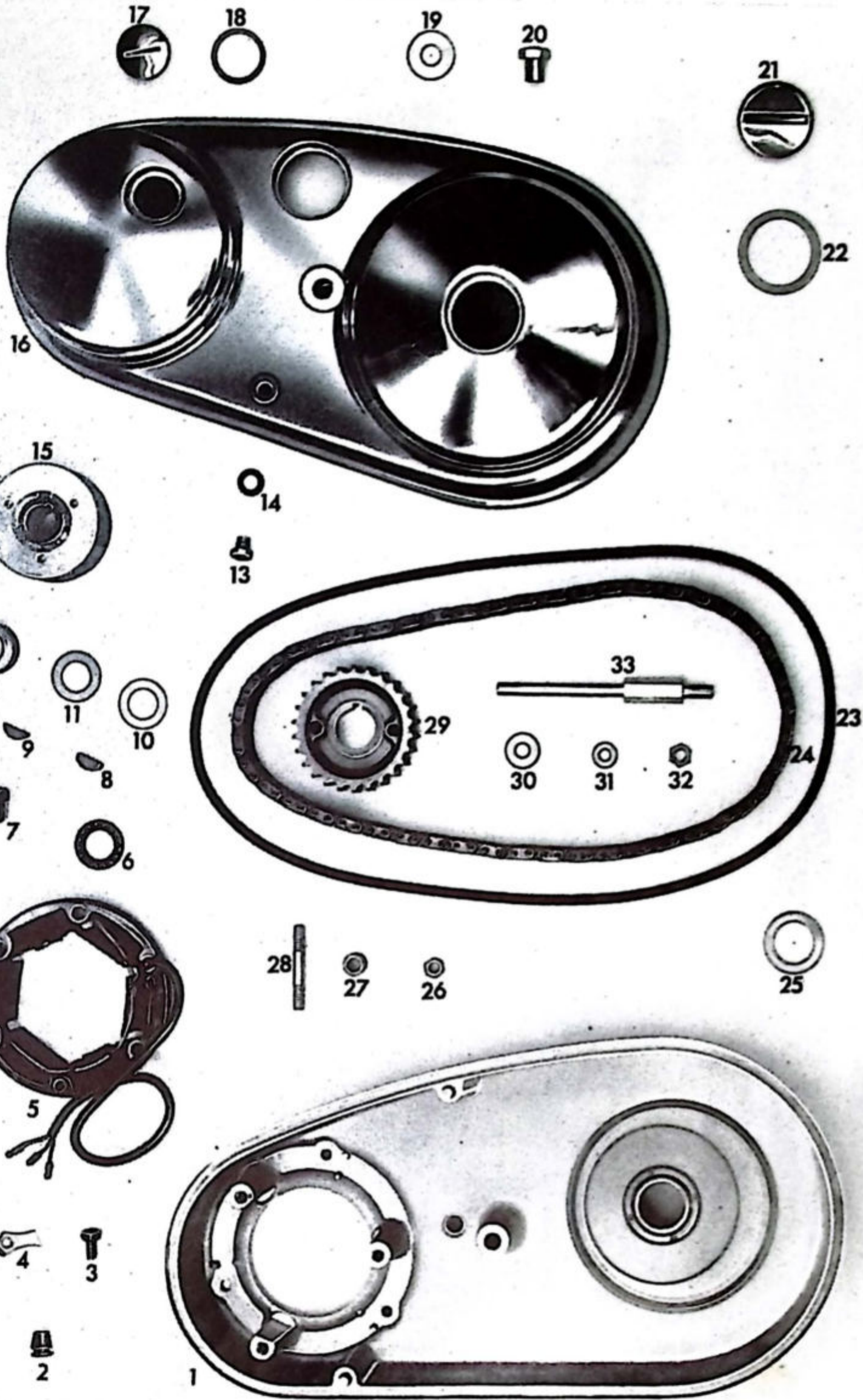
H CONTROL LEVERS

| Plate No. | Part No. | Description | Qty. | Bin No. |
|---|----------|---|------|---------|
| OIL PIPES | | | | |
| J37 | 06.0638 | Junction block and oil pipes... | 1 | |
| J35 | 032044 | Junction block gasket | 1 | |
| | 030448 | Junction block bolt | 1 | |
| J3 | 000950 | Oil feed hose—3½ in. | 1 | |
| | 000950 | Oil return hose—4½ in. | 1 | |
| J2, J4 | 023376 | Oil feed and return hose ferrule | 4 | |
| | 13786 | Oil return pipe adaptor washer | 2 | |
| | 21287 | Junction block dowel... | 1 | |
| J38 | 06.0592 | Oil feed pipe filter assembled | 1 | |
| J39 | E.6640 | Oil feed pipe filter washer | 1 | |
| J1 | 06.0394 | Rocker box oil feed pipe | 1 | |
| J36, J40 | 18101 | Rocker box oil feed pipe banjo bolt | 3 | |
| J6 | T.1084 | Rocker box oil feed pipe banjo bolt washer | 6 | |
| J5 | 018155 | Rocker box oil feed pipe clip | 1 | |
| TWIN SEAT | | | | |
| | 06.0501 | Dual seat | 1 | |
| | 06.0503 | Dual seat (Orange) | 1 | |
| | 06.10505 | Dual seat (White) | 1 | |
| | 06.0695 | Dual seat fixing nut pin | 2 | |
| O16 | 06.0647 | Dual seat fixing nut | 2 | |
| | E.6742 | Dual seat bracket support washer | 4 | |
| | 21852 | Dual seat rubber button | 4 | |
| PETROL TANK | | | | |
| | 06.0496 | Petrol tank | 1 | |
| | 009195 | Reserve transfer | 1 | |
| | 06.0681 | Petrol tank filler cap | 1 | |
| | 06.0882 | Petrol tank filler cap pin | 1 | |
| J9 | 033155 | Petrol tap (main) | 1 | |
| J41 | 031746 | Petrol tap (reserve) | 1 | |
| | 000183 | Petrol tap washer | 2 | |
| J7 | 000954 | Petrol pipe left hand 4 in. | 2 | |
| | 000954 | Petrol pipe right hand 3½ in. | 2 | |
| J8 | 021844 | Petrol pipe "T" piece | 2 | |
| J44 | 000954 | Petrol pipe to "T" piece 7½ in. | 1 | |
| J10, J42 | 06.0575 | Petrol pipe ferrule | 10 | |
| | 22017 | Petrol pipe nipple | 2 | |
| | 000513 | Petrol pipe union nut | 2 | |
| | 06.0498 | Petrol tank mounting rubber strap... | 1 | |
| | 06.0648 | Petrol tank bolt rubber | 10 | |
| | 06.0797 | Petrol tank bolt nut | 2 | |
| | 027138 | Petrol tank support rubber | 1 | |
| | 014999 | Petrol tank bolt washer | 2 | |
| | 06.0499 | Petrol tank badge | 2 | |
| | 06.0500 | Petrol tank badge adhesive | 2 | |
| COLOUR MUST BE QUOTED WHEN ORDERING PETROL TANKS | | | | |
| OIL TANK | | | | |
| N2 | 06.0511 | Oil tank only | 1 | |
| N1 | 025352 | Filler cap | 1 | |
| N16 | 06.0668 | Oil tank drain plug | 1 | |
| N15 | 000200 | Oil tank drain plug washer | 1 | |
| N5 | 000953 | Oil level indicator hose—2¾ in. | 1 | |
| N4, N6 | 06.0576 | Oil level indicator hose ferrule | 2 | |
| | 06.0935 | Oil tank filling transfer | 1 | |
| N3 | 06.0636 | Oil tank rubber mounting (stud) | 2 | |
| | 033057 | Oil tank rubber mounting nut | 4 | |
| | 000012 | Oil tank rubber mounting washer | 4 | |
| | 06.0916 | Bolt spacer | 1 | |
| N14 | 06.0811 | Oil tank mounting rubber grommet | 1 | |
| | 19629 | Oil tank breather pipe, tank to air filter 7½ in. | 1 | |
| CHAIN OILER | | | | |
| | 06.0885 | Chain oiler regulator | 1 | |
| O17 | 06.0881 | Chain oiler bracket | 1 | |
| | 06.0460 | Chain oiler bracket spacer | 2 | |
| | 000895 | Chain oiler hose, tank to regulator 14 in. | 1 | |
| O19 | 23580 | Chain oiler hose regulator to bracket 12 in. | 1 | |
| O22 | 23580 | Chain oiler hose bracket to chain 3 in. | 1 | |

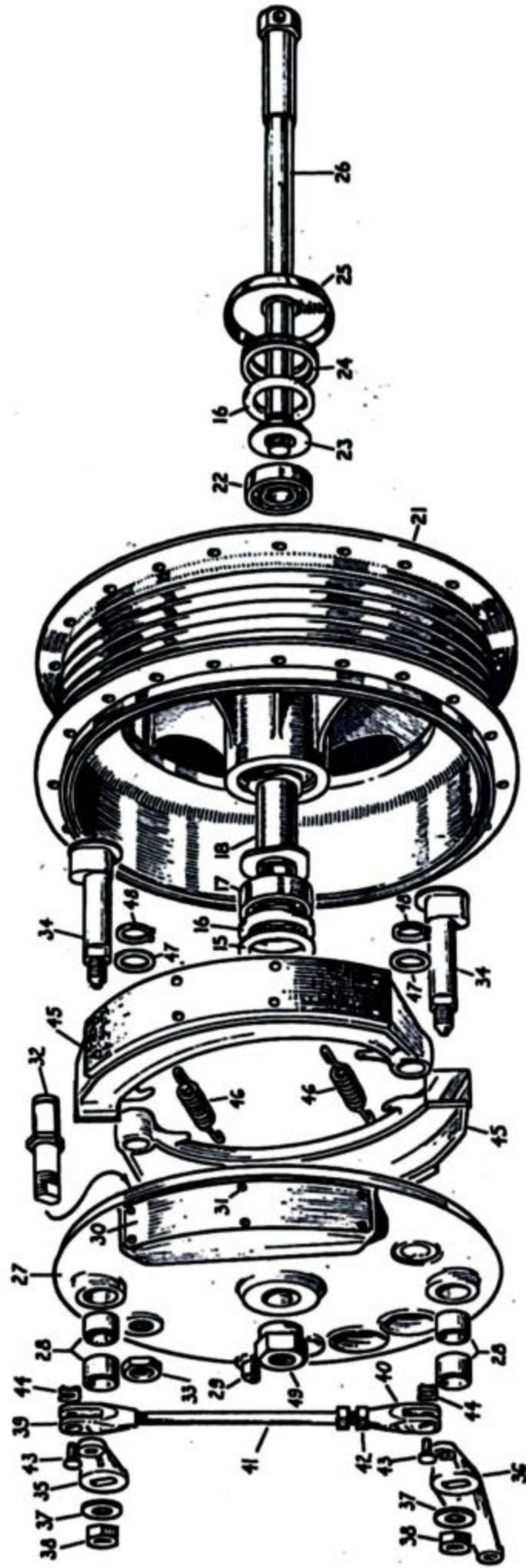


J OIL PIPES

| Plate No. | Part No. | Description | Qty. | Bin No. |
|--------------------------------|----------|---|------|---------|
| CHAIN OILER—continued | | | | |
| | 025392 | Beading in chainguard 1 in. ... | 1 | |
| O25 O27 | 06.0884 | Chain oiler regulator end assembled | 2 | |
| O26 | 06.0887 | Chain oiler regulator felt ... | 1 | |
| O28 | 000897 | Chain oiler regulator hose 3 in. | 1 | |
| O23 O24 | 06.0886 | Chain oiler regulator hose clip | 2 | |
| O29 | 06.0920 | Chain oiler hose clip (¼ in. dia.) | 4 | |
| O20 | 06.0921 | Chain oiler hose clip (⅜ in. dia.) | 1 | |
| PILLION FOOTRESTS | | | | |
| | 06.0616 | Pillion footrests bare ... | 2 | |
| | 06.0617 | Pillion footrest bolt ... | 2 | |
| | 033057 | Pillion footrest bolt nut | 2 | |
| | 042569 | Pillion footrest rubber | 2 | |
| | 06.0487 | Pillion footrest lug ... | 2 | |
| | 06.0618 | Pillion footrest lug bolt | 2 | |
| | 000010 | Pillion footrest lug bolt washer | 2 | |
| FRONT CHAINCASE | | | | |
| | 06.0370 | Chaincase front half ... | 1 | |
| | 06.0711 | Chaincase-crankcase gasket ... | 1 | |
| | 06.0628 | Chaincase assembled ... | 1 | |
| K1 | 06.0374 | Chaincase inner half ... | 1 | |
| K25 | 012443 | Felt washer ... | 2 | |
| K3 | 06.0375 | Chaincase fixing bolt ... | 3 | |
| K19 | 06.0368 | Chaincase centre bolt washer | 1 | |
| K20 | 06.0367 | Chaincase centre bolt nut (chromed) | 1 | |
| K33 | 06.0376 | Chaincase centre stud | 1 | |
| K31 | 000010 | Chaincase centre stud washer | 2 | |
| K32 | 06.0397 | Chaincase centre stud nut ... | 1 | |
| K30 | 06.0399 | Chaincase centre stud shim ... | AR | |
| K16 | 06.0370 | Chaincase outer half ... | 1 | |
| K23 | 06.0398 | Chaincase band rubber | 1 | |
| K17 | 06.0659 | Chaincase inspection cap (ignition timing)... | 1 | |
| K21 | 06.0388 | Chaincase inspection cap | 2 | |
| K22 | 042025 | Chaincase inspection cap gasket | 2 | |
| K18 | 20842 | Chaincase inspection cap gasket | 1 | |
| | 06.0662 | Ignition indicator plate | 1 | |
| K13 | 06.0389 | Chaincase oil level bolt | 1 | |
| K14 | 000200 | Chaincase oil level bolt washer | 1 | |
| | 06.0663 | Ignition indicator plate fixing screw | 2 | |
| K4 | 06.0395 | Chaincase fixing plate | 3 | |
| REAR CHAINGUARD | | | | |
| O1 | 06.0456 | Rear chainguard | 1 | |
| O5 | 06.0459 | Rear chainguard front bolt | 1 | |
| O6 | 000012 | Rear chainguard front bolt washer | 2 | |
| O7 | 033057 | Rear chainguard front bolt nut | 1 | |
| O12 | 06.0843 | Rear chainguard extension | 1 | |
| O10 | 06.0459 | Rear chainguard rear bolt | 1 | |
| O9 | 000012 | Rear chainguard rear bolt washer | 2 | |
| O8 | 033057 | Rear chainguard rear bolt nut | 1 | |
| BATTERY BOX AND CARRIER | | | | |
| | 033057 | Battery carrier bolt nut | 1 | |
| | 06.0327 | Battery earth bolt | 1 | |
| | 000012 | Battery earth bolt washer | 1 | |
| J43 | 06.0533 | Battery carrier rubber pad | 1 | |
| J45 | 06.0867 | Battery carrier rubber side pad | 2 | |
| | 06.0533 | Battery carrier rubber rear pad | 1 | |
| | 06.0568 | Battery strap assembled | 1 | |
| J13 | 06.0615 | Battery tray assembled | 1 | |
| | 06.0858 | Battery tray bolt (to frame) | 2 | |
| | 000010 | Battery tray bolt washer | 4 | |
| | 06.0029 | Battery tray bolt nut ... | 2 | |
| J11 | 06.0927 | Chain oiler clip (battery tray) | 2 | |
| | 06.0915 | Chain oiler and harness clip bolt | 1 | |
| | 000039 | Chain oiler and harness clip washer | 2 | |
| | 06.0678 | Chain oiler and harness clip nut | 1 | |



K CHAINCASE



L FRONT WHEEL

| Plate No. | Part No. | Description | Qty. | Bin No. |
|--------------------|----------|------------------------------------|--------|---------|
| FRONT WHEEL | | | | |
| | 06.0984 | Wheel complete—less tyre and tube | 1 | |
| | 06.0985 | Wheel bare less fittings | 1 | |
| | 18350 | Rim only WM2-19 | 1 | |
| | 20063 | Spoke ... | 20 | |
| | 20061 | Spoke ... | 20 | |
| | 021693 | Spoke nipple ... | 40 | |
| L21 | 06.0364 | Front hub shell only | 1 | |
| L17 | 17721 | Bearing right hand | 1 | |
| L22 | 040100 | Bearing left hand | 1 | |
| | 16783 | Bearing spacer... | 1 | |
| L24 | 06.0363 | Bearing lock ring | 1 | |
| L16 | E.6885 | Bearing felt washer | 2 | |
| L23 | E.6889 | Bearing felt washer retaining ring | 1 | |
| L15 | 19719 | Oil retaining washer ... | 1 | |
| L25 | 18551 | Dust cover ... | 1 | |
| L18 | 19646 | Bearing spacer assembled | 1 | |
| L26 | 06.0362 | Front wheel spindle ... | 1 | |
| L49 | 06.0361 | Front wheel spindle nut | 1 | |
| L27 | 06.0000 | Front wheel cover plate | 1 | |
| | E.5944A | Brake plate packing washer ... | AR | |
| L34 | 06.0009 | Brake expander | 2 | |
| L45 | 06.0006 | Brake shoe with linings | 2 | |
| | 06.0812 | Brake shoe lining only | 2 | |
| | 000113 | Brake shoe lining rivet | Set 14 | |
| L46 | 06.0014 | Brake shoe spring | 2 | |
| | 06.0013 | Brake shoe slipper | 2 | |
| L36 | 06.0025 | Expander lever | 1 | |
| L35 | 06.0027 | Expander lever short... | 1 | |
| L37 | 000010 | Expander lever washer | 2 | |
| L38 | 06.0029 | Expander lever nut | 2 | |
| L41 | 06.0015 | Expander lever tie rod | 1 | |
| L42 | 033057 | Tie rod lock nut | 1 | |
| L39 | 06.0018 | Yoke left hand thread | 1 | |
| L40 | 06.0019 | Yoke right hand thread | 1 | |
| L30 | 06.0789 | Air inlet cover | 1 | |
| | 06.0020 | Air inlet gauze | 1 | |
| | 06.0021 | Air exit gauze ... | 1 | |
| L31 | 06.0787 | Self tapping screw | 14 | |
| | 06.0845 | Air exit cover ... | 1 | |
| L43 | 06.0552 | Yoke pin | 3 | |
| L44 | 06.0553 | Yoke pin circlip | 3 | |
| L28 | 19680 | Expander bush | 4 | |
| L32 | 06.0004 | Torque stop pivot pin | 1 | |
| | 06.0005 | Torque stop pivot pin nut | 1 | |
| | 06.1005 | Front brake cover plate complete | 1 | |
| | 21394 | Pivot pin washer | 2 | |
| | 019512 | Pivot pin circlip | 2 | |
| REAR WHEEL | | | | |
| | 06.0986 | Wheel complete | 1 | |
| | 06.0987 | Wheel bare, less fittings | 1 | |
| | 18350 | Rim only WM2-19 | 1 | |
| | 20063 | Spoke—long head | 20 | |
| | 20061 | Spoke—short head | 20 | |
| | 021693 | Nipple ... | 40 | |
| M1 | 06.0313 | Hub shell only... | 1 | |
| M5 | 06.0319 | Brake drum (sprocket) | 1 | |
| M8 | 06.0323 | Brake drum sleeve nut | 3 | |
| M11 | 17721 | Hub bearing left hand | 1 | |
| M10 | 040100 | Hub bearing right hand | 1 | |
| M9 | 18234 | Hub bearing spacer | 1 | |
| M14 | 06.0317 | Hub bearing lock ring | 1 | |
| M13 | E.6889 | Hub bearing washer | 1 | |
| M12 | E.6885 | Hub felt washer | 2 | |
| M15 | 19714 | Hub felt retaining washer | 1 | |
| M16 | 18231 | Inner sleeve | 1 | |
| M17 | 06.0291 | Brake drum retaining stud | 1 | |
| M2 | 18348 | Hub disc | 1 | |
| M3 | 25100 | Hub disc hammer drive screw | 6 | |
| M4 | 18731 | Hub disc grommet | 3 | |
| M20 | 06.0289 | Rear wheel spindle | 1 | |
| M21 | 19266 | Spindle washer | 2 | |
| M19 | 06.0324 | Spindle spacer ... | 1 | |
| M22 | 06.0292 | Spindle nut | 1 | |

| Plate No. | Part No. | Description | Qty. | Bin No. |
|-----------------------------|----------|---|--------|---------|
| REAR WHEEL—continued | | | | |
| M23 | 06.0332 | Cover plate | 1 | |
| | 06.0704 | Brake lever return spring | 1 | |
| M30 | 06.0325 | Torque pivot pin | 1 | |
| M31 | 06.0326 | Torque pivot pin nut... .. | 1 | |
| M36 | 14454 | Pivot pin retaining plate | 1 | |
| M37 | 14506 | Pivot pin retaining plate washer | 1 | |
| M38 | 06.0327 | Pivot pin retaining plate bolt | 2 | |
| M24 | 06.0314 | Brake cam | 1 | |
| M32 | 06.0828 | Brake shoe | 2 | |
| | 06.0790 | Brake lining | 2 | |
| | E.5061 | Brake lining rivet | Set 14 | |
| M35 | E.5832 | Brake shoe spring | 2 | |
| M25 | 19765 | Expander lever | 1 | |
| M26 | 000010 | Expander lever washer | 1 | |
| M27 | 06.0029 | Expander lever nut | 1 | |
| M29 | 06.0334 | Cover plate spacer outer | 1 | |
| | E.5276 | Cover plate washer | AR | |
| | 06.0806 | Rear brake yoke trunnion | 1 | |
| | 011404 | Security bolt | 1 | |

BRAKE OPERATING PARTS

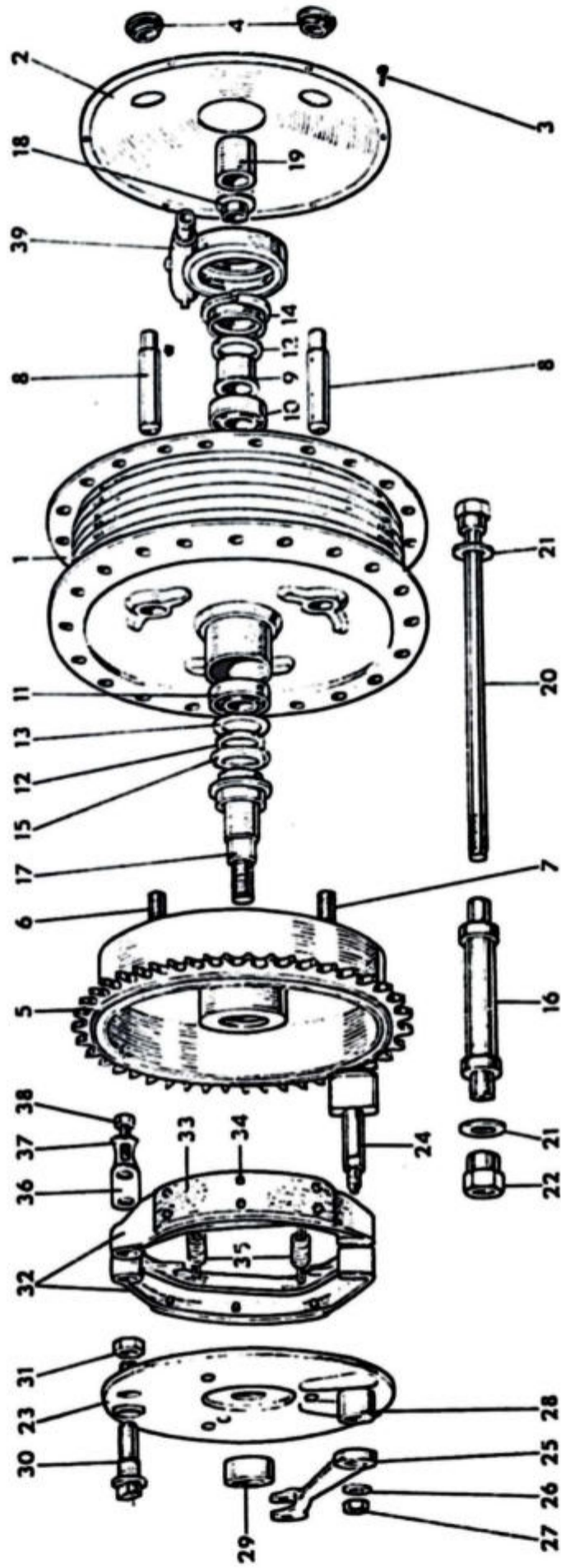
| | | | | |
|-----|---------|------------------------------------|---|--|
| O2 | 06.0479 | Brake pedal | 1 | |
| | 06.0780 | Rear brake lever roller | 1 | |
| | 06.0797 | Rear brake adjuster nut | 1 | |
| | 06.0781 | Rear brake adjuster collar | 1 | |
| | 06.0796 | Rear brake yoke assembled | 1 | |
| | 06.0552 | Yoke end pin | 1 | |
| | 06.0553 | Yoke end circlip | 1 | |
| | 06.0806 | Yoke trunnion... .. | 1 | |
| O13 | 06.0482 | Rear brake cable | 1 | |
| O11 | 06.0481 | Bolt locating grease nipple | 1 | |
| O4 | 06.0943 | Brake pedal stop bolt | 1 | |
| O3 | 06.0651 | Brake pedal stop bolt nut | 1 | |
| | 021590 | Brake pedal pivot washer | 1 | |

SPEEDOMETER

| | | | | |
|-----|---------|---|---|--|
| | 06.0675 | Speedo head MPH | 1 | |
| | 06.0733 | Speedo head KILO | 1 | |
| | 06.0801 | Speedo light lead | 1 | |
| | 25087 | Speedo drive cable | 1 | |
| H6 | 06.0510 | Instrument case | 1 | |
| | 06.0627 | Speedo gearbox | 1 | |
| M18 | 13270 | Speedo gearbox spacer | 1 | |
| M39 | 22888 | Speedo gearbox (with KILO speedo head 06.0733) | 1 | |

HEADLAMP

| | | | | |
|--|----------|--|---|--|
| | 06.0798 | Headlamp with harness (Home and U.S.A.) | 1 | |
| | 06.0799 | Headlamp with harness (French) | 1 | |
| | 06.0800 | Headlamp with harness (Continental) | 1 | |
| | 031540 | Headlamp bolt washer | 2 | |
| | 031555 | Headlamp bolt spacer | 2 | |
| | 553248 | Headlamp rim | 1 | |
| | 144921 | Screw, fixing rim | 1 | |
| | 534296 | Plate, fixing rim | 1 | |
| | 38189 | Warning light body assembly | 1 | |
| | 54140331 | Sealing washer, warning light | 1 | |
| | 281 | Bulb, warning light | 1 | |
| | 54945043 | Bulb holder warning light | 1 | |
| | 35710 | Lighting switch | 1 | |
| | 516798 | Light unit | 1 | |
| | 554602 | Bulb holder, main | 1 | |
| | 54573590 | Bulb holder, pilot | 1 | |
| | 446 | Bulb, main | 1 | |
| | 989 | Bulb, pilot | 1 | |
| | 54523999 | Body | 1 | |
| | 54954277 | Harness... .. | 1 | |



M REAR WHEEL

| Plate No. | Part No. | Description | Qty. | Bin No. |
|-------------------|----------|--|------|---------|
| REAR LAMP | | | | |
| | 53973D | Rear lamp (Lucas 679) | 1 | |
| | 54577109 | Lens—Red | 1 | |
| | 572289 | Lens screw | 2 | |
| | 54571677 | Lens seating gasket | 1 | |
| | 54574348 | Bulb holder with reflector | 1 | |
| | 380 | Bulb | 1 | |
| | 06.0909 | Rear lamp screw | 2 | |
| | 06.0810 | Rear lamp lead | 1 | |
| HORN | | | | |
| | 032010 | Electric horn | 1 | |
| | 06.0865 | Fixing bolt | 2 | |
| | 000012 | Fixing bolt washer | 4 | |
| | 033057 | Fixing bolt nut | 2 | |
| | 06.0652 | Horn bracket/mudguard bolt | 1 | |
| | 06.0862 | Horn bracket/mudguard bolt nut | 1 | |
| STOP LIGHT | | | | |
| | 34815A | Stop light switch | 1 | |
| | 06.0677 | Stop light switch screw | 2 | |
| | 000039 | Stop light switch screw washer | 2 | |
| | 06.0678 | Stop light switch screw nut | 2 | |
| | 06.0810 | Stop light switch cable | 1 | |
| | 06.0693 | Stop light switch lead bracket | 1 | |
| ALTERNATOR | | | | |
| | 54021167 | Alternator (rotor and stator) | 1 | |
| K5 | 47205A | Stator only | 1 | |
| K15 | 54213901 | Rotor only | 1 | |
| K2 | 06.0903 | Alternator grommet | 1 | |
| K28 | 06.0386 | Stator stud | 3 | |
| K27 | 06.0377 | Stator stud spacer | 3 | |
| | 000011 | Stator stud washer | 3 | |
| K26 | 06.0700 | Stator stud nut | 3 | |
| K12 | 06.0402 | Rotor spacer | 1 | |
| K9, A140 | 20948 | Rotor key | 1 | |
| K6, A74 | 24948 | Rotor washer | 1 | |
| K7, A73 | 06.0387 | Rotor nut | 1 | |
| K11 | 06.0664 | Rotor shim -036 in. | 1 | AR |
| K10 | 06.0665 | Rotor shim -010 in. | 1 | AR |
| | 06.0572 | Contact breaker complete | 1 | |
| | 54419827 | Contact breaker set | 1 | |
| | 06.0573 | Condenser pack | 1 | |
| | 06.0720 | Contact breaker bolt | 1 | |
| | T.2221 | Contact breaker bolt washer | 1 | |
| | 015306 | Contact breaker bolt washer | 1 | |
| | 029983 | Contact breaker fixing screw | 2 | |
| | 029984 | Contact breaker fixing screw washer | 2 | |
| | 034051 | Contact breaker shaft | 1 | |
| | 030080 | Contact breaker shaft pin | 1 | |
| | 033007 | Contact breaker shaft sprocket | 1 | |
| | 033068 | Contact breaker shaft bearing | 1 | |
| | 034052 | Contact breaker shaft bearing | 1 | |
| | 034053 | Contact breaker shaft oil seal | 1 | |
| | 034055 | Contact breaker shaft thrust washer | 1 | |
| | 034049 | Contact breaker housing | 1 | |
| | 030082 | Contact breaker cover | 1 | |
| | 19429 | Contact breaker cover grommet | 1 | |
| | 033056 | Contact breaker cover seal | 1 | |
| | 030084 | Contact breaker cover clip | 1 | |
| | 25105 | Contact breaker housing fixing bolt | 1 | |
| | 010706 | Contact breaker housing fixing bolt washer | 1 | |
| | 015306 | Contact breaker housing fixing bolt washer | 1 | |
| | E.3229 | Contact breaker housing fixing bolt nut | 1 | |
| | T.2191 | Contact breaker housing flange gasket | 1 | |
| | T.2245 | Contact breaker housing fixing stud | 2 | |
| | 11796 | Contact breaker housing fixing stud washer | 2 | |
| | E.3231 | Contact breaker housing fixing stud nut | 2 | |
| | 06.0946 | Condenser pack fixing screw | 2 | |
| | 000039 | Condenser pack fixing screw washer | 2 | |
| | 06.0678 | Condenser pack fixing screw nut | 2 | |
| | 031075 | Capacitor | 1 | |
| | 031080 | Capacitor spring | 1 | |

| Plate No. | Part No. | Description | Qty. | Bin No. |
|-----------|----------|-------------|------|---------|
|-----------|----------|-------------|------|---------|

BATTERY AND FITTINGS

| | | | | |
|--------|---------------|--------|---|--|
| 033049 | Battery PUZ5A | | 1 | |
|--------|---------------|--------|---|--|

RECTIFIER AND ZENER DIODE

| | | | | |
|---------|--|--------|---|--|
| 029604 | Rectifier with nut (Lucas 49072A) | | 1 | |
| 015306 | Rectifier washer | | 1 | |
| 033057 | Rectifier nut | | 1 | |
| 06.0649 | Rectifier bracket | | 1 | |
| 000011 | Rectifier bracket washer | | 2 | |
| 06.0348 | Rectifier bracket nut | | 1 | |
| 033057 | Rectifier bracket and battery carrier fixing nut | | 1 | |
| 06.0327 | Rectifier bracket and battery earth bolt | | 1 | |
| 000012 | Rectifier bracket and battery earth bolt washer | | 1 | |
| 030051 | Zener diode | | 1 | |
| 06.0859 | Zener diode bolt | | 1 | |
| 06.0544 | Zener diode heat sink plate | | 2 | |
| 06.0541 | Zener diode heat sink plate spacer | | 1 | |
| 06.0853 | Zener diode bracket | | 1 | |
| 015306 | Zener diode washer | | 1 | |
| 033057 | Zener diode nut | | 1 | |
| 06.0847 | Zener diode "Rotolok" | | 1 | |
| 06.0697 | Coil | | 2 | |
| 06.0699 | Coil fixing bolt | | 2 | |
| 045062 | Coil fixing bolt washer | | 4 | |
| 033057 | Coil fixing bolt nut | | 2 | |
| 06.0803 | Coil blade | | 4 | |
| 06.0694 | Coil bracket spacer | | 4 | |
| 06.1242 | Coil bracket | | 1 | |

SWITCHES AND ELECTRICAL SUNDRIES

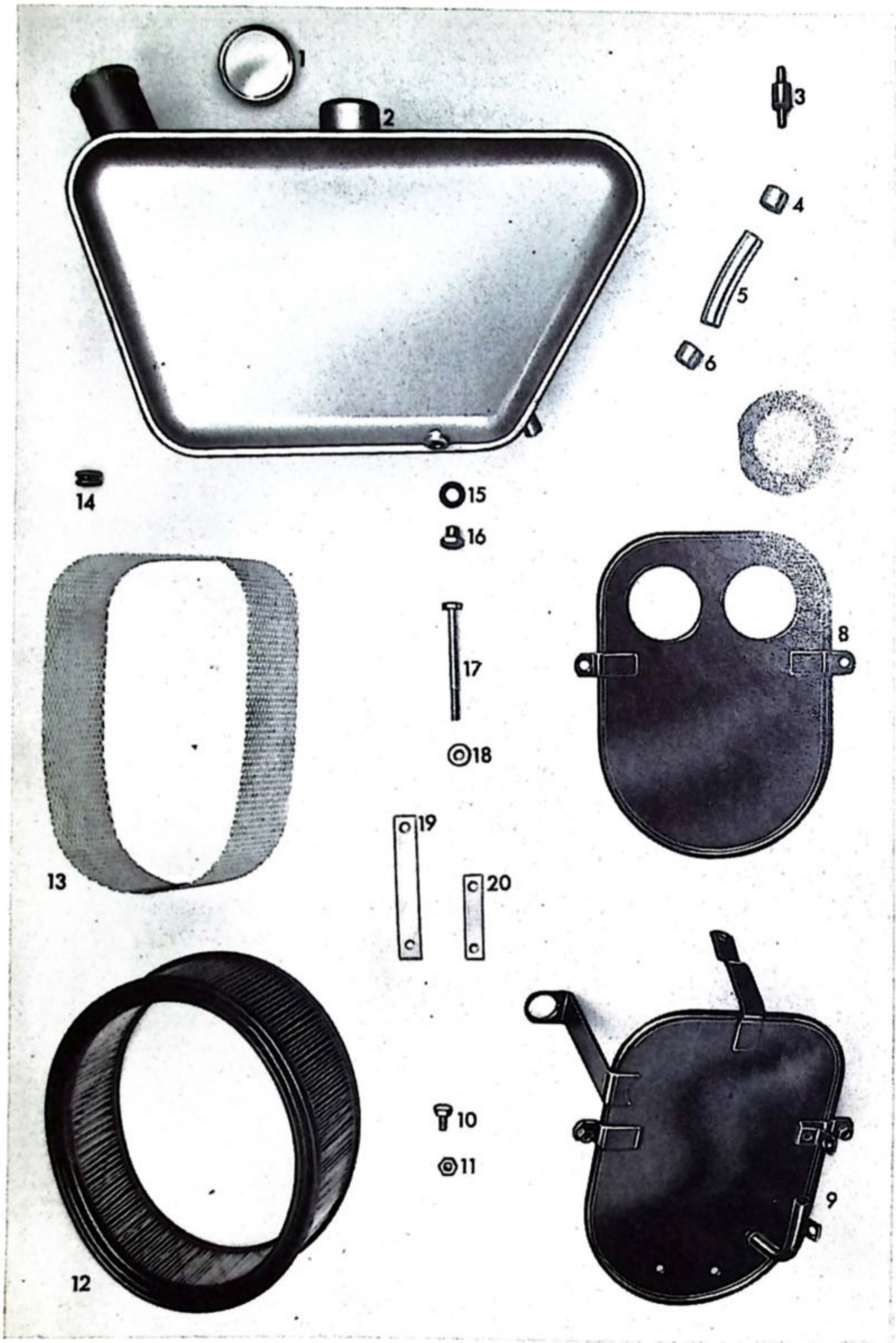
| | | | | |
|---------|--|--------|---|--|
| 06.0802 | Engine earth lead | | 1 | |
| 06.0327 | Battery earth bolt (rectifier bracket fixing) | | 1 | |
| 000012 | Battery earth bolt washer (rectifier bracket fixing) | | 1 | |
| 06.0585 | H.T. cable for sparking plug | | 2 | |
| 06.0834 | Sparking plug (Champion N 6 Y) | | 2 | |
| 36403A | Ammeter | | 1 | |
| 032220 | Sparking plug cover (suppressed) | | 2 | |
| 032221 | Sparking plug cover (unsuppressed) | | 2 | |
| 06.0785 | Dipper switch and horn button | | 1 | |
| 033016 | Ignition switch | | 1 | |
| 033044 | Ignition switch lock (with 2 keys) | | 1 | |
| 000951 | Ignition switch sleeve 1 1/8 in. | | 1 | |
| 18285 | Grommet-harness to frame | | 2 | |
| 06.0809 | Grommet-harness to tail section | | 2 | |

GASKET SETS

| | | | | |
|---------|---|--------|---|--|
| 06.0910 | Gasket set complete | | 1 | |
| 06.0911 | Gasket set decarbonising | | 1 | |
| 06.0719 | Timing cover gasket | | 1 | |
| 048023 | Oil seal (timing side) | | 1 | |
| T.2187 | Oil seal (driving side) | | 1 | |
| 16949 | Filter body washer | | 1 | |
| T.272 | Oil pump sealing washer | | 1 | |
| 033056 | Contact breaker cover gasket | | 1 | |
| T.2191 | Contact breaker housing flange gasket | | 1 | |
| 06.0398 | Outer portion front chain case gasket | | 1 | |
| 042025 | Inspection cap gasket (chaincase) | | 2 | |
| 20842 | Inspection cap gasket (chaincase ignition timing) | | 1 | |
| T.1084 | Rocker feed pipe banjo washer | | 6 | |
| 06.0400 | Cylinder head gasket | | 1 | |
| 24249 | Cylinder base gasket | | 1 | |
| T.2084 | Rocker cover gasket | | 1 | |
| T.2088 | Rocker cover gasket | | 2 | |
| T.2083 | Rocker shaft joint washer | | 4 | |
| T.2240 | Rocker shaft plate joint washer | | 4 | |
| T.2166 | Exhaust pipe nut washer | | 2 | |
| 012443 | Felt washer | | 1 | |
| 06.0711 | Gasket—chaincase to crankcase | | 1 | |

ACCESSORY COVER

| | | | | |
|---------|-------------------------------|--------|---|--|
| 06.0854 | Accessory cover assembled | | 1 | |
| 06.0836 | Accessory cover bracket front | | 1 | |



N AIR FILTER

| Plate No. | Part No. | Description | Qty. | Bin No. |
|-----------|----------|-------------|------|---------|
|-----------|----------|-------------|------|---------|

ACCESSORY COVER—continued

| | | | | |
|-----|---------|---------------------------------------|---|--|
| | 06.0838 | Accessory cover bracket rear | 1 | |
| | 06.0327 | Accessory cover bracket bolt | 4 | |
| | 000012 | Accessory cover bracket bolt washer | 4 | |
| | 033057 | Accessory cover bracket bolt nut | 4 | |
| J12 | 06.0848 | Accessory cover "Rotolock" | 1 | |
| | 06.0857 | Accessory cover "Rotolock" rubber pad | 1 | |
| J14 | 06.0856 | Accessory cover grommet | 2 | |

REVOLUTION COUNTER

| | | | | |
|------|---------|-------------------------------|---|--|
| | 06.0676 | Rev. counter head | 1 | |
| | 030392 | Rev. counter drive cable | 1 | |
| | 06.0801 | Rev. counter light lead | 1 | |
| H6 | 06.0510 | Instrument case | 1 | |
| A137 | 06.0710 | Rev. counter gearbox | 1 | |
| A136 | 012873 | Rev. counter gearbox screw... | 2 | |
| A138 | 23446 | Rev. counter gearbox washer | 2 | |

AIR FILTER

| | | | | |
|-----|---------|---------------------------------------|---|--|
| | 06.0327 | Air filter fixing bolt | 1 | |
| | 000012 | Air filter fixing bolt washer | 2 | |
| | 033057 | Air filter fixing bolt nut | 1 | |
| | 033027 | Air filter mounting plate sleeve | 2 | |
| N8 | 06.0902 | Air filter front plate assembled | 1 | |
| N9 | 06.0815 | Air filter back plate assembled | 1 | |
| N12 | 06.0673 | Air filter element | 1 | |
| N13 | 06.0816 | Air filter perforated plate | 1 | |
| N17 | 06.0900 | Air filter fixing bolt | 2 | |
| N7 | 06.0671 | Air filter hose | 2 | |
| N10 | 06.0327 | Air filter bolt (to battery tray) | 3 | |
| N19 | 06.0925 | Air filter bolt locking strip (long) | 1 | |
| N18 | 000012 | Air filter bolt washer... | 5 | |
| N20 | 06.0926 | Air filter bolt locking strip (short) | 1 | |

CABLE CLIPS

| | | | | |
|--|--------|---------------------------|---|--|
| | 011907 | Rubber cable clip (short) | 4 | |
| | 026881 | Rubber cable clip (long) | 2 | |

TAIL SECTION

| | | | | |
|-----|---------|-----------------------------|---|--|
| O14 | 06.0502 | Tail section | 1 | |
| | 06.0506 | Tail section bracket | 1 | |
| | 06.0504 | Tail section bracket rubber | 1 | |
| | 06.0359 | Tail section bolt | 1 | |
| | 06.0859 | Tail section bolt | 1 | |
| | 000011 | Tail section bolt washer | 2 | |
| | 06.0864 | Tail section motif | 1 | |
| | 06.0500 | Tail section motif adhesive | 1 | |
| | 06.0779 | Tail section stud | 2 | |
| | 06.0348 | Tail section stud nut | 2 | |

TOOLS

| | | | | |
|--|---------|--|---|--|
| | 017253 | Tool bag | 1 | |
| | 06.0820 | Spanner O/E $\frac{3}{8}$ in. x $\frac{1}{2}$ in. AF | 1 | |
| | 06.0821 | Spanner O/E $\frac{7}{8}$ in. x $\frac{1}{2}$ in. AF | 1 | |
| | 06.0822 | Spanner O/E $\frac{9}{16}$ in. x $\frac{1}{2}$ in. AF | 1 | |
| | 06.0823 | Spanner O/E $\frac{11}{16}$ in. x $\frac{1}{2}$ in. AF | 1 | |
| | 06.0824 | Spanner box $\frac{7}{8}$ in. AF | 1 | |
| | 06.0922 | Spanner box $\frac{3}{4}$ in. x $\frac{1}{8}$ in. AF | 1 | |
| | 017248 | Pliers | 1 | |
| | 021625 | Screwdriver | 1 | |
| | 017052 | Spanner O/E $\frac{3}{8}$ in. x $\frac{1}{4}$ in. | 1 | |
| | 017053 | Spanner O/E $\frac{5}{8}$ in. x $\frac{1}{4}$ in. | 1 | |
| | SBU2/76 | Spanner box $\frac{7}{8}$ in. x $\frac{1}{2}$ in. | 1 | |
| | 024365 | Contact breaker screwdriver/gauge | 1 | |
| | 019869 | Allen key | 1 | |
| | 017252 | Plug box spanner | 1 | |
| | 030459 | Tommy bar | 1 | |
| | 023284 | Suspension unit spanner | 1 | |
| | LTU07 | Tyre Lever | 2 | |
| | 017114 | Tyre pump | 1 | |
| | SPU/20 | Rocker adjusting spanner | 1 | |
| | 06.0829 | Tyre pump shield | 1 | |
| | 06.0989 | Toolkit complete less inflator | 1 | |



O TAIL SECTION

| <i>Part No.</i> | <i>Description</i> | | | | | | | | | | | | | |
|-----------------|-----------------------------------|-----|-----|-----|-----|-----|-----|-----|-----|-----|-----|-----|-----|-----|
| 06.0934 | Auto Advance Draw Bolt | ... | ... | ... | ... | ... | ... | ... | ... | ... | ... | ... | ... | ... |
| 06.0941 | Engine Sprocket & Clutch Hub Tool | ... | ... | ... | ... | ... | ... | ... | ... | ... | ... | ... | ... | ... |
| 06.0947 | Drift Front Engine Mounting | ... | ... | ... | ... | ... | ... | ... | ... | ... | ... | ... | ... | ... |
| 06.0948 | Drift Rear Engine Mounting | ... | ... | ... | ... | ... | ... | ... | ... | ... | ... | ... | ... | ... |
| 06.0949 | Auto Advance Lock Washer | ... | ... | ... | ... | ... | ... | ... | ... | ... | ... | ... | ... | ... |
| 06.0992 | Front Engine Mounting Tool | ... | ... | ... | ... | ... | ... | ... | ... | ... | ... | ... | ... | ... |
| 06.0995 | Rear Engine Mounting Tool | ... | ... | ... | ... | ... | ... | ... | ... | ... | ... | ... | ... | ... |
| 06.0999 | Clutch Tool | ... | ... | ... | ... | ... | ... | ... | ... | ... | ... | ... | ... | ... |
| 06.1015 | Clutch Hub Lock | ... | ... | ... | ... | ... | ... | ... | ... | ... | ... | ... | ... | ... |
| 06.1028 | Rocker Shaft Extractor | ... | ... | ... | ... | ... | ... | ... | ... | ... | ... | ... | ... | ... |
| 06.1037 | Camshaft Sprocket Extractor | ... | ... | ... | ... | ... | ... | ... | ... | ... | ... | ... | ... | ... |
| 06.0859 | Camshaft Sprocket Bolt | ... | ... | ... | ... | ... | ... | ... | ... | ... | ... | ... | ... | ... |
| 06.1229 | Exhaust Pipe Ring Spanner | ... | ... | ... | ... | ... | ... | ... | ... | ... | ... | ... | ... | ... |
| 06.0942 | Head Spanner | ... | ... | ... | ... | ... | ... | ... | ... | ... | ... | ... | ... | ... |
| 06.1359 | Camshaft Oil Seal Guide | ... | ... | ... | ... | ... | ... | ... | ... | ... | ... | ... | ... | ... |

FRONT CRASH BAR

| | | | | | | | | | | | | | | |
|---------|-----------------------|-----|-----|-----|-----|-----|-----|-----|-----|-----|-----|-----|-----|-----|
| 06.1275 | Front Crash Bar | ... | ... | ... | ... | ... | ... | ... | ... | ... | ... | ... | ... | ... |
| 06.1299 | Rear Crash Bar (1969) | ... | ... | ... | ... | ... | ... | ... | ... | ... | ... | ... | ... | ... |

SUPPLEMENTS FOR 1969 AND 1970

SPARES LIST FOR 1969 COMMANDO 'R' to be used in conjunction with 1968 COMMANDO SPARES LIST

| Plate No. | Part No. | Description | Qty. | Bin No. |
|------------------------------------|----------|--------------------------------------|---|---------|
| CRANKCASE—PAGE 4 | | | | |
| 061099 | | Crankcase complete with timing cover | 1* | |
| 061073 | | Timing cover | 1* | |
| 061112 | | Crankcase halves | 1* | |
| 061100 | | Crankcase timing side only | 1* | |
| 061092 | | Timing cover gasket | 1* | |
| 061102 | | Timing cover screw long | 1* | |
| 061103 | | Timing cover screw short | 4* | |
| 061104 | | Timing cover screw medium | 7* | |
| CYLINDER BARREL—PAGE 5 | | | | |
| 060396A | | Barrel (Silver) | 1 | |
| PISTONS AND RINGS—PAGE 5 | | | | |
| 061185 | | Piston complete Std. Left Hand | } 1 1 1 1 1 1 1 1 1 1 2 2 2 2 2 | |
| 061187 | | Piston complete +010 Left Hand | | |
| 061189 | | Piston complete +020 Left Hand | | |
| 061191 | | Piston complete +030 Left hand | | |
| 061193 | | Piston complete +040 Left Hand | | |
| 061186 | | Piston complete Std. Right Hand | | |
| 061188 | | Piston complete +010 Right Hand | | |
| 061190 | | Piston complete +020 Right Hand | | |
| 061192 | | Piston complete +030 Right Hand | | |
| 061194 | | Piston complete +040 Right Hand | | |
| 061180 | | Scrapper ring Std. | | |
| 061181 | | Scrapper ring +010 | | |
| 061182 | | Scrapper ring +020 | | |
| 061183 | | Scrapper ring +030 | | |
| 061184 | | Scrapper ring +040 | | |
| CAN ALSO REPLACE 1968 PATTERN | | | | |
| TIMING GEAR—PAGE 6 | | | | |
| 061086 | | Camshaft thrust washer | 1* | |
| 061084 | | Camshaft | 1* | |
| 061077 | | Intermediate gear assembled | 1* | |
| 061078 | | Intermediate gear shaft | 1* | |
| 061079 | | Intermediate gear bush | 1* | |
| 061080 | | Camshaft sprocket | 1* | |
| 20732 | | Camshaft sprocket nut | 1* | |
| 061094 | | Chain tensioner slipper | 1* | |
| ROCKERS, COVERS ETC.—PAGE 6 | | | | |
| 18093A | | Rocker covers (bright polish) | } 2 1 | |
| 18094A | | Rocker cover (bright polish) | | |
| HEAD STEADY STAY—PAGE 7 | | | | |
| 061128 | | Engine steady side plate | 2 | |
| ENGINE PLATES—PAGE 7 | | | | |
| 061226 | | Front engine plate mounting bush | 2* | |
| 061277 | | Front engine plate mounting spacer | 1* | |
| 061278 | | Front engine plate rubber buffer | 2* | |
| 061227 | | Rear engine plate mounting rubber | 3* | |
| 061279 | | Rear engine plate mounting spacer | 2* | |
| 061280 | | Rear engine plate rubber buffer | 2* | |

(*Applicable after ENGINE No. 131257)

| Plate No. | Part No. | Description | Qty. | Bin No. |
|-----------|----------|-------------|------|---------|
|-----------|----------|-------------|------|---------|

CARBURETTOR—PAGE 9

| | | | | |
|----------|---------------------------------|--------|----|--|
| 061335 | Carburettor left hand (930/31) | | 1* | |
| 061336 | Carburettor right hand (930/30) | | 1* | |
| 21248 | Carburettor screw | | 1* | |
| 928/071 | Gauze | | 2* | |
| L930/005 | Left hand body | | 1* | |
| R930/005 | Right hand body | | 1* | |

CHAINS—PAGE 11

| | | | | |
|--------|-----------------------------------|--------|---|--|
| 029485 | Rear chain—From engine No. 131757 | | 1 | |
|--------|-----------------------------------|--------|---|--|

GEARS AND SHAFTS—PAGE 11

| | | | | |
|--------|-------------------|--------|---|--|
| 061057 | Sleeve gear | | 1 | |
| 061058 | Layshaft 4th gear | | 1 | |

GEAR CHANGE—PAGE 13

| | | | | |
|--------|----------------------------|--------|---|--|
| 040532 | Foot change lever (chrome) | | 1 | |
| | STATE CHROME OR DULL | | | |

KICKSTARTER—PAGE 15

| | | | | | |
|--------|--------------------------------------|--|--------------|-----|--|
| 061059 | Kickstarter crank assembled (chrome) | | STATE CHROME | { 1 | |
| 061055 | Kickstarter crank bare (chrome) | | OR DULL | 1 | |

FRAME—PAGE 15

| | | | | |
|--------|---------------------------|--------|---|--|
| 061130 | Frame | | 1 | |
| 061286 | Certification plate | | 1 | |
| 061287 | Certification plate rivet | | 4 | |

CENTRE STAND—PAGE 17

| | | | | |
|--------|------------------------------|--------|---|--|
| 061116 | Centre stand | | 1 | |
| 061295 | Centre stand locating spring | | 1 | |
| 061039 | Centre stand spring | | 1 | |

FOOTRESTS—PAGE 17

| | | | | | |
|--------|------------------------------|--------|--------------|-----|--|
| 061053 | Footrest right hand (chrome) | | STATE CHROME | { 1 | |
| 061052 | Footrest left hand (chrome) | | OR DULL | 1 | |
| 061246 | Support bolt | | | 1* | |
| 000011 | Support bolt washer | | | 2* | |
| 061247 | Support bolt nut | | | 1* | |
| 061228 | Support plate | | | 1* | |

FRONT FORKS—PAGE 17

| | | | | | |
|---------|--------------------|--------|--------------|-----|--|
| 031544A | Top cover (chrome) | | STATE CHROME | { 1 | |
| 031545A | Top cover (chrome) | | OR BLACK | 1 | |
| 18263 | Head races | | | 2 | |
| 15691 | Head race felt | | | 2 | |

HANDLEBAR—PAGE 19

| | | | | |
|--------|--------------------|--------|---|--|
| 061046 | Handlebar (Export) | | 1 | |
|--------|--------------------|--------|---|--|

FRONT MUDGUARD—PAGE 19

| | | | | | |
|---------|------------------------------|--|----------------------|---|--|
| 060619A | Front mudguard stay (chrome) | | STATE CHROME OR DULL | 1 | |
|---------|------------------------------|--|----------------------|---|--|

REAR MUDGUARD—PAGE 19

| | | | | |
|--------|----------------------|--------|---|--|
| 061173 | Rear mudguard | | 1 | |
| 060359 | Rear mudguard bolt | | 3 | |
| 000011 | Rear mudguard washer | | 7 | |
| 060348 | Rear mudguard nut | | 3 | |
| 061121 | Rear mudguard clip | | 1 | |
| 061174 | Rear mudguard stay | | 1 | |

(* Applicable after ENGINE No. 131257)

| Plate No. | Part No. | Description | Qty. | Bin No. |
|--|----------|---|----------------------|---------|
| REAR NUMBER PLATE—PAGE 19 | | | | |
| | 000178 | Number plate spacer | 1 | |
| | 061355 | Side reflector bracket | 2 | |
| | 061197 | Rear number plate support | 1 | |
| | 060327 | Rear number plate support bolt | 2 | |
| | 060865 | Rear fairing bolt | 2 | |
| | 000012 | Rear fairing washer | 2 | |
| | 061122 | Rear fairing | 1 | |
| BRAKE CABLE—PAGE 20 | | | | |
| | 061076 | Front brake cable complete with stop light switch | U.S.A. only | 1 |
| OIL PIPE—PAGE 22 | | | | |
| | 061357 | Oil pipe clip | 1* | |
| TWIN SEAT—PAGE 22 | | | | |
| | 061168 | Dual seat | 1 | |
| | 21852 | Dual seat rubber | 6 | |
| PETROL TANK—PAGE 22 | | | | |
| | 061108 | Petrol tank RED | 1 | |
| | 061110 | Petrol tank BLUE | 1 | |
| | 027138 | Petrol tank rubber pad | 1 | |
| | 061040 | 'NORTON' transfer | 2 | |
| | 009195 | Reserve transfer | 1 | |
| OIL TANK—PAGE 22 | | | | |
| | 061117 | Oil tank | 1 | |
| | 061017 | Transfer 750 COMMANDO | 1 | |
| | 061354 | Washer... .. | 1 | |
| FRONT CHAINCASE—PAGE 24 | | | | |
| | 061025 | Chaincase outer half | 1* | |
| | 060763 | Ignition indicator plate | 1* | |
| BATTERY BOX AND CARRIER—PAGE 24 | | | | |
| | 014119 | Shakeproof washer | 2 | |
| REAR WHEEL—PAGE 27 | | | | |
| | 011707 | Security bolt | 1 | |
| BRAKE PARTS—PAGE 28 | | | | |
| | 061054 | Brake pedal (chrome) | STATE CHROME OR DULL | 1 |
| SPEEDOMETER—PAGE 28 | | | | |
| | 061333 | Speedometer head Kilos | 1 | |
| HEADLAMP—PAGE 28 | | | | |
| | 061160 | Headlamp complete with harness | 1* | |
| | 061356 | Headlamp bolt... .. | 2* | |
| ALTERNATOR—PAGE 30 | | | | |
| | 061177 | Alternator | 1 | |
| | 061101 | Contact breaker | 1* | |
| | 061281 | Contact breaker screw | 2* | |
| | 061093 | Contact breaker lead seal | 1* | |
| | 061087 | Contact breaker cover | 1* | |
| | 061105 | Contact breaker cover screw | 2* | |
| | 54419344 | Auto advance unit | 1* | |
| | 54419220 | Adjusting ring | 1* | |
| | 54415642 | Spring | 2* | |

(*Applicable after ENGINE No. 131257)

| Plate No. | Part No. | Description | Qty. | Bin No. |
|-----------|----------|-------------|------|---------|
|-----------|----------|-------------|------|---------|

RECTIFIER AND ZENER DIODE—PAGE 31

| | | | | | | | | | | | | | | |
|----------|---------------------|-----|-----|-----|-----|-----|-----|-----|-----|-----|-----|-----|-----|----|
| 061156 | Coil | ... | ... | ... | ... | ... | ... | ... | ... | ... | ... | ... | ... | 2* |
| 54419974 | Coil bracket | ... | ... | ... | ... | ... | ... | ... | ... | ... | ... | ... | ... | 1* |
| 425377 | Condenser | ... | ... | ... | ... | ... | ... | ... | ... | ... | ... | ... | ... | 2* |
| 061242 | Coil bracket | ... | ... | ... | ... | ... | ... | ... | ... | ... | ... | ... | ... | 1 |
| 060865 | Coil bracket bolt | ... | ... | ... | ... | ... | ... | ... | ... | ... | ... | ... | ... | 2 |
| 000012 | Coil bracket washer | ... | ... | ... | ... | ... | ... | ... | ... | ... | ... | ... | ... | 2 |
| 033057 | Coil bracket nut | ... | ... | ... | ... | ... | ... | ... | ... | ... | ... | ... | ... | 2 |

SWITCH AND ELECTRICAL SUNDRIES—PAGE 31

| | | | | | | | | | | | | | | |
|--------|------------|-----|-----|-----|-----|-----|-----|-----|-----|-----|-----|-----|-----|----|
| 061169 | H.T. Cable | ... | ... | ... | ... | ... | ... | ... | ... | ... | ... | ... | ... | 2* |
|--------|------------|-----|-----|-----|-----|-----|-----|-----|-----|-----|-----|-----|-----|----|

GASKET SETS—PAGE 31

| | | | | | | | | | | | | | | |
|--------|---------------------|-----|-----|-----|-----|-----|-----|-----|-----|-----|-----|-----|-----|----|
| 061363 | Gasket set | ... | ... | ... | ... | ... | ... | ... | ... | ... | ... | ... | ... | 1* |
| 061092 | Timing cover gasket | ... | ... | ... | ... | ... | ... | ... | ... | ... | ... | ... | ... | 1* |

ACCESSORY COVER—PAGE 31

| | | | | | | | | | | | | | | |
|--------|--------------------------|-----|-----|-----|-----|-----|-----|-----|-----|-----|-----|-----|-----|---|
| 061175 | Accessory cover | ... | ... | ... | ... | ... | ... | ... | ... | ... | ... | ... | ... | 1 |
| 061017 | Accessory cover transfer | ... | ... | ... | ... | ... | ... | ... | ... | ... | ... | ... | ... | 1 |
| 060498 | Tool securing band | ... | ... | ... | ... | ... | ... | ... | ... | ... | ... | ... | ... | 1 |

REVOLUTION COUNTER—PAGE 33

| | | | | | | | | | | | | | | |
|--------|------------------------------------|-----|-----|-----|-----|-----|-----|-----|-----|-----|-----|-----|-----|----|
| 061089 | Rev counter worm gear | ... | ... | ... | ... | ... | ... | ... | ... | ... | ... | ... | ... | 1* |
| 061090 | Rev counter drive housing | ... | ... | ... | ... | ... | ... | ... | ... | ... | ... | ... | ... | 1* |
| 061106 | Rev counter drive housing screw | ... | ... | ... | ... | ... | ... | ... | ... | ... | ... | ... | ... | 2* |
| 061282 | Rev counter drive housing 'O' ring | ... | ... | ... | ... | ... | ... | ... | ... | ... | ... | ... | ... | 1* |
| 061118 | Rev counter cable | ... | ... | ... | ... | ... | ... | ... | ... | ... | ... | ... | ... | 1* |

CABLE CLIP—PAGE 33

| | | | | | | | | | | | | | | |
|--------|------------|-----|-----|-----|-----|-----|-----|-----|-----|-----|-----|-----|-----|---|
| 026880 | Cable clip | ... | ... | ... | ... | ... | ... | ... | ... | ... | ... | ... | ... | 6 |
| 026881 | Cable clip | ... | ... | ... | ... | ... | ... | ... | ... | ... | ... | ... | ... | 4 |

TOOLS—PAGE 33

| | | | | | | | | | | | | | | |
|--------|-------------------------|-----|-----|-----|-----|-----|-----|-----|-----|-----|-----|-----|-----|----|
| 061359 | Camshaft oil seal guide | ... | ... | ... | ... | ... | ... | ... | ... | ... | ... | ... | ... | 1* |
|--------|-------------------------|-----|-----|-----|-----|-----|-----|-----|-----|-----|-----|-----|-----|----|

OPTIONAL

| | | | | | | | | | | | | | | |
|--------|---------------------|-----|-----|-----|-----|-----|-----|-----|-----|-----|-----|-----|-----|---|
| 061275 | Front crash bar set | ... | ... | ... | ... | ... | ... | ... | ... | ... | ... | ... | ... | 1 |
| 061289 | Rear crash bar set | ... | ... | ... | ... | ... | ... | ... | ... | ... | ... | ... | ... | 1 |

(*Applicable after ENGINE No. 131257)

SPARES LIST FOR 1969 COMMANDO 'S'
to be used in conjunction with
1968 COMMANDO SPARES LIST

CRANKCASE—PAGE 4

| | | | | | | | | | | | | | | |
|--------|--------------------------------------|-----|-----|-----|-----|-----|-----|-----|-----|-----|-----|-----|-----|---|
| 061099 | Crankcase complete with timing cover | ... | ... | ... | ... | ... | ... | ... | ... | ... | ... | ... | ... | 1 |
| 061073 | Timing cover | ... | ... | ... | ... | ... | ... | ... | ... | ... | ... | ... | ... | 1 |
| 061112 | Crankcase Halves | ... | ... | ... | ... | ... | ... | ... | ... | ... | ... | ... | ... | 1 |
| 061100 | Crankcase timing side only | ... | ... | ... | ... | ... | ... | ... | ... | ... | ... | ... | ... | 1 |
| 061092 | Timing cover gasket | ... | ... | ... | ... | ... | ... | ... | ... | ... | ... | ... | ... | 1 |
| 061102 | Timing cover screw—long | ... | ... | ... | ... | ... | ... | ... | ... | ... | ... | ... | ... | 1 |
| 061103 | Timing cover screw—short | ... | ... | ... | ... | ... | ... | ... | ... | ... | ... | ... | ... | 4 |
| 061104 | Timing cover screw—medium | ... | ... | ... | ... | ... | ... | ... | ... | ... | ... | ... | ... | 7 |

CYLINDER BARREL—PAGE 5

| | | | | | | | | | | | | | | |
|---------|--------------------------|-----|-----|-----|-----|-----|-----|-----|-----|-----|-----|-----|-----|---|
| 060396A | Cylinder barrel (SILVER) | ... | ... | ... | ... | ... | ... | ... | ... | ... | ... | ... | ... | 1 |
|---------|--------------------------|-----|-----|-----|-----|-----|-----|-----|-----|-----|-----|-----|-----|---|

| Plate No. | Part No. | Description | Qty. | Bin No. |
|--|----------|--|------|---------|
| PISTON AND RING STANDARD—PAGE 5 | | | | |
| 061185 | | Piston complete left hand | 1 | |
| 061186 | | Piston complete right hand | 1 | |
| 061180 | | Scraper ring | 2 | |
| PISTON AND RING OVERSIZE—PAGE 5 | | | | |
| 061187 | | Piston complete left hand +010 | 1 | |
| 061189 | | Piston complete left hand +020 | 1 | |
| 061191 | | Piston complete left hand +030 | 1 | |
| 061193 | | Piston complete left hand +040 | 1 | |
| 061188 | | Piston complete right hand +010 | 1 | |
| 061190 | | Piston complete right hand +020 | 1 | |
| 061192 | | Piston complete right hand +030 | 1 | |
| 061194 | | Piston complete right hand +040 | 1 | |
| 061181 | | Scraper ring +010 | 1 | |
| 061182 | | Scraper ring +020 | 1 | |
| 061183 | | Scraper ring +030 | 1 | |
| 061184 | | Scraper ring +040 | 1 | |
| TIMING GEAR—PAGE 6 | | | | |
| 061086 | | Camshaft thrust washer | 1 | |
| 061084 | | Camshaft | 1 | |
| 061077 | | Intermediate gear assembled | 1 | |
| 061078 | | Intermediate gear shaft | 1 | |
| 061079 | | Intermediate gear bush | 1 | |
| 061080 | | Camshaft sprocket | 1 | |
| 20732 | | Camshaft sprocket nut | 1 | |
| 061094 | | Chain tensioner slipper | 1 | |
| ROCKERS, COVERS ETC.—PAGE 6 | | | | |
| 18093A | | Rocker cover (BRIGHT POLISH) | 2 | |
| 18094A | | Rocker cover (BRIGHT POLISH) | 1 | |
| HEAD STEADY STAY—PAGE 7 | | | | |
| 061128 | | Engine steady side plate | 2 | |
| ENGINE PLATES AND BOLTS—PAGE 7 | | | | |
| 061226 | | Front engine mounting bush | 2 | |
| 061277 | | Front engine mounting spacer | 1 | |
| 061278 | | Front engine mounting buffer rubber | 2 | |
| 061227 | | Rear engine mounting rubber | 3 | |
| 061279 | | Rear engine mounting spacer | 2 | |
| 061280 | | Rear engine mounting buffer rubber | 2 | |
| CARBURETTOR—PAGE 9 | | | | |
| 061335 | | Carburettor left hand (930/31) | 1 | |
| 061336 | | Carburettor right hand (930/30) | 1 | |
| 21248 | | Carburettor screw | 1 | |
| 928/071 | | Gauze | 2 | |
| L930/005 | | Left Hand Body | 1 | |
| R930/005 | | Right Hand Body | 1 | |
| EXHAUST PIPE—PAGE 9 | | | | |
| 061320 | | Exhaust pipe left hand | 1 | |
| 061323 | | Exhaust pipe right hand | 1 | |
| 061314 | | Exhaust pipe heat shield | 2 | |
| 061317 | | Exhaust pipe heat shield clip | 2 | |
| 061316 | | Exhaust pipe heat shield screw | 2 | |
| SILENCER—PAGE 10 | | | | |
| 061312 | | Silencer... .. | 2 | |
| 061328 | | Silencer Clip | 2 | |
| E.3135 | | Silencer Bolt | 2 | |
| E.3231 | | Silencer nut | 2 | |
| 061307 | | Silencer stay | 1 | |
| 061304 | | Silencer bracket | 1 | |
| 014999 | | Silencer rubber | 2 | |
| 061315 | | Silencer heat shield | 2 | |
| 061316 | | Silencer heat shield screw | 4 | |

| Plate No. | Part No. | Description | Qty. | Bin No. |
|-----------|----------|-------------|------|---------|
|-----------|----------|-------------|------|---------|

CHAINS—PAGE 11

| | | | | | | | | | | | | | | |
|--------|------------------------------------|-----|-----|-----|-----|-----|-----|-----|-----|-----|-----|-----|---|-------|
| 029485 | Rear chain. From Engine No. 131757 | ... | ... | ... | ... | ... | ... | ... | ... | ... | ... | ... | 1 | |
|--------|------------------------------------|-----|-----|-----|-----|-----|-----|-----|-----|-----|-----|-----|---|-------|

GEARS AND SHAFT—PAGE 11

| | | | | | | | | | | | | | | |
|--------|-------------------|-----|-----|-----|-----|-----|-----|-----|-----|-----|-----|-----|---|-------|
| 061057 | Sleeve gear | ... | ... | ... | ... | ... | ... | ... | ... | ... | ... | ... | 1 | |
| 061058 | Layshaft 4th gear | ... | ... | ... | ... | ... | ... | ... | ... | ... | ... | ... | 1 | |

GEAR CHANGE—PAGE 13

| | | | | | | | | | | | | | | |
|--------|----------------------------|-----|-----|-----|-----|-----|-----|-----|-----|-----|-----|-----|---|-------|
| 040632 | Foot change lever (chrome) | ... | ... | ... | ... | ... | ... | ... | ... | ... | ... | ... | 1 | |
|--------|----------------------------|-----|-----|-----|-----|-----|-----|-----|-----|-----|-----|-----|---|-------|

KICKSTARTER—PAGE 15

| | | | | | | | | | | | | | | |
|--------|--------------------------------------|-----|-----|-----|-----|-----|-----|-----|-----|-----|-----|-----|---|-------|
| 061059 | Kickstarter crank assembled (chrome) | ... | ... | ... | ... | ... | ... | ... | ... | ... | ... | ... | 1 | |
| 061055 | Kickstarter crank bare (chrome) | ... | ... | ... | ... | ... | ... | ... | ... | ... | ... | ... | 1 | |

FRAME—PAGE 15

| | | | | | | | | | | | | | | |
|--------|---------------------------|-----|-----|-----|-----|-----|-----|-----|-----|-----|-----|-----|---|-------|
| 061130 | Frame | ... | ... | ... | ... | ... | ... | ... | ... | ... | ... | ... | 1 | |
| 061286 | Certification label | ... | ... | ... | ... | ... | ... | ... | ... | ... | ... | ... | 1 | |
| 061287 | Certification label rivet | ... | ... | ... | ... | ... | ... | ... | ... | ... | ... | ... | 4 | |

CENTRE STAND—PAGE 17

| | | | | | | | | | | | | | | |
|--------|------------------------------|-----|-----|-----|-----|-----|-----|-----|-----|-----|-----|-----|---|-------|
| 061116 | Centre stand | ... | ... | ... | ... | ... | ... | ... | ... | ... | ... | ... | 1 | |
| 061295 | Centre stand locating spring | ... | ... | ... | ... | ... | ... | ... | ... | ... | ... | ... | 1 | |
| 061039 | Centre stand spring | ... | ... | ... | ... | ... | ... | ... | ... | ... | ... | ... | 1 | |

FOOTRESTS—PAGE 17

| | | | | | | | | | | | | | | |
|--------|-----------------------------------|-----|-----|-----|-----|-----|-----|-----|-----|-----|-----|-----|---|-------|
| 061053 | Footrest right hand (chrome) | ... | ... | ... | ... | ... | ... | ... | ... | ... | ... | ... | 1 | |
| 061052 | Footrest left hand (chrome) | ... | ... | ... | ... | ... | ... | ... | ... | ... | ... | ... | 1 | |
| 061246 | Footrest support bolt | ... | ... | ... | ... | ... | ... | ... | ... | ... | ... | ... | 1 | |
| 061247 | Footrest support nut | ... | ... | ... | ... | ... | ... | ... | ... | ... | ... | ... | 1 | |
| 000011 | Footrest support washer | ... | ... | ... | ... | ... | ... | ... | ... | ... | ... | ... | 2 | |
| 061228 | Footrest support plate right hand | ... | ... | ... | ... | ... | ... | ... | ... | ... | ... | ... | 1 | |

FRONT FORKS—PAGE 17

| | | | | | | | | | | | | | | |
|--------|------------------|-----|-----|-----|-----|-----|-----|-----|-----|-----|-----|-----|---|-------|
| 061454 | Forks complete | ... | ... | ... | ... | ... | ... | ... | ... | ... | ... | ... | 1 | |
| 061133 | Fork Crown | ... | ... | ... | ... | ... | ... | ... | ... | ... | ... | ... | 1 | |
| 061131 | Handlebar lug | ... | ... | ... | ... | ... | ... | ... | ... | ... | ... | ... | 1 | |
| 061136 | Pinch stud | ... | ... | ... | ... | ... | ... | ... | ... | ... | ... | ... | 2 | |
| 18263 | Head Races | ... | ... | ... | ... | ... | ... | ... | ... | ... | ... | ... | 2 | |
| 15631 | Head Race Felts | ... | ... | ... | ... | ... | ... | ... | ... | ... | ... | ... | 2 | |
| 061137 | Extension collar | ... | ... | ... | ... | ... | ... | ... | ... | ... | ... | ... | 2 | |
| 061114 | Main tube | ... | ... | ... | ... | ... | ... | ... | ... | ... | ... | ... | 2 | |
| 061115 | Gaiter | ... | ... | ... | ... | ... | ... | ... | ... | ... | ... | ... | 2 | |

HANDLEBAR—PAGE 19

| | | | | | | | | | | | | | | |
|--------|---------------------|-----|-----|-----|-----|-----|-----|-----|-----|-----|-----|-----|---|-------|
| 061046 | Handlebars (Export) | ... | ... | ... | ... | ... | ... | ... | ... | ... | ... | ... | 1 | |
|--------|---------------------|-----|-----|-----|-----|-----|-----|-----|-----|-----|-----|-----|---|-------|

FRONT MUDGUARD—PAGE 19

| | | | | | | | | | | | | | | |
|--------|---------------------|-----|-----|-----|-----|-----|-----|-----|-----|-----|-----|-----|---|-------|
| 25542A | Front mudguard | ... | ... | ... | ... | ... | ... | ... | ... | ... | ... | ... | 1 | |
| 25540A | Front mudguard stay | ... | ... | ... | ... | ... | ... | ... | ... | ... | ... | ... | 2 | |

REAR MUDGUARD—PAGE 19

| | | | | | | | | | | | | | | |
|--------|----------------------|-----|-----|-----|-----|-----|-----|-----|-----|-----|-----|-----|---|-------|
| 061402 | Rear mudguard | ... | ... | ... | ... | ... | ... | ... | ... | ... | ... | ... | 1 | |
| 060359 | Rear mudguard bolt | ... | ... | ... | ... | ... | ... | ... | ... | ... | ... | ... | 4 | |
| 000011 | Rear mudguard washer | ... | ... | ... | ... | ... | ... | ... | ... | ... | ... | ... | 7 | |
| 060348 | Rear mudguard nut | ... | ... | ... | ... | ... | ... | ... | ... | ... | ... | ... | 3 | |
| 061121 | Rear mudguard clip | ... | ... | ... | ... | ... | ... | ... | ... | ... | ... | ... | 1 | |
| 061400 | Rear mudguard stay | ... | ... | ... | ... | ... | ... | ... | ... | ... | ... | ... | 1 | |

| Plate No. | Part No. | Description | Qty. | Bin No. |
|--|----------|---|------|---------|
| REAR NUMBER PLATE—PAGE 19 | | | | |
| | 061197 | Rear number plate support ... | 1 | |
| | 060327 | Rear number plate support bolt ... | 2 | |
| | 061355 | Side reflector bracket ... | 2 | |
| | 060865 | Rear fairing bolt ... | 2 | |
| | 000012 | Rear fairing washer ... | 2 | |
| | 061122 | Rear fairing ... | 1 | |
| BRAKE CABLE—PAGE 20 | | | | |
| | 061076 | Front brake cable complete with stop switch—U.S.A. ONLY ... | 1 | |
| OIL PIPES—PAGE 22 | | | | |
| | 061159 | Oil feed filter ... | 1 | |
| | 042065 | Oil feed filter washer... | 2 | |
| | 000950 | Oil feed hose 4½" | 1 | |
| | 14698 | Oil return adaptor washer ... | 2 | |
| | 000950 | Oil return hose 5½" | 1 | |
| | 061345 | Oil pipe and junction block ... | 1 | |
| | 061357 | Oil pipe clip ... | 1 | |
| TWIN SEAT—PAGE 22 | | | | |
| | 061168 | Dual seat ... | 1 | |
| | 21852 | Dual seat rubber ... | 6 | |
| PETROL TANK—PAGE 22 | | | | |
| | 061108 | Petrol Tank RED ... | 1 | |
| | 061110 | Petrol Tank BLUE ... | 1 | |
| | 061040 | NORTON transfer ... | 2 | |
| | 009195 | Reserve transfer ... | 1 | |
| OIL TANK—PAGE 22 | | | | |
| | 061140 | Oil Tank ... | 1 | |
| | 061338 | Oil tank cap ... | 1 | |
| | 060652 | Oil tank bolt ... | 1 | |
| | 000636 | Oil tank sleeve ... | 1 | |
| | 061153 | Oil tank feed banjo ... | 1 | |
| | 061155 | Oil tank return banjo ... | 1 | |
| | 061157 | Oil tank return bolt ... | 1 | |
| PILLION FOOTREST—PAGE 24 | | | | |
| | 060863 | Lug bolt ... | 2 | |
| FRONT CHAINCASE—PAGE 24 | | | | |
| | 061025 | Chaincase outer half ... | 1 | |
| | 060763 | Ignition indicator plate ... | 1 | |
| REAR CHAINGUARD—PAGE 24 | | | | |
| | 061272 | Rear chainguard ... | 1 | |
| BATTERY BOX AND CARRIER—PAGE 24 | | | | |
| | 061220 | Battery tray assembled ... | 1 | |
| | 061223 | Battery carrier rubber ... | 1 | |
| | 061233 | Battery carrier and oil tank support ... | 1 | |
| REAR WHEEL—PAGE 27 | | | | |
| | 011707 | Security bolt ... | 1 | |
| BRAKE OPERATING PARTS—PAGE 28 | | | | |
| | 061054 | Brake pedal (chrome)... | 1 | |
| SPEEDOMETER—PAGE 28 | | | | |
| | 061333 | Speedometer head kilos ... | 1 | |

| Plate No. | Part No. | Description | Qty. | Bin No. |
|-----------|----------|-------------|------|---------|
|-----------|----------|-------------|------|---------|

HEADLAMP—PAGE 28

| | | | | | | | | | | | | | |
|----------|--|-----|-----|-----|-----|-----|-----|-----|-----|-----|-----|---|-------|
| 061160 | Headlamp complete with harness—HOME AND U.S.A. | ... | ... | ... | ... | ... | ... | ... | ... | ... | ... | 1 | |
| 061356 | Headlamp bolt... | ... | ... | ... | ... | ... | ... | ... | ... | ... | ... | 2 | |
| 000011 | Headlamp washer | ... | ... | ... | ... | ... | ... | ... | ... | ... | ... | 2 | |
| 061234 | Headlamp spacer | ... | ... | ... | ... | ... | ... | ... | ... | ... | ... | 2 | |
| 061378 | Clip harness/battery platform | ... | ... | ... | ... | ... | ... | ... | ... | ... | ... | 1 | |
| 060915 | Clip harness/battery platform bolt | ... | ... | ... | ... | ... | ... | ... | ... | ... | ... | 1 | |
| 061239 | Headlamp support | ... | ... | ... | ... | ... | ... | ... | ... | ... | ... | 1 | |
| 061238 | Headlamp stay left hand | ... | ... | ... | ... | ... | ... | ... | ... | ... | ... | 1 | |
| 061245 | Headlamp stay right hand | ... | ... | ... | ... | ... | ... | ... | ... | ... | ... | 1 | |
| 060327 | Headlamp stay bolt | ... | ... | ... | ... | ... | ... | ... | ... | ... | ... | 2 | |
| 015306 | Headlamp stay washer | ... | ... | ... | ... | ... | ... | ... | ... | ... | ... | 2 | |
| 033057 | Headlamp nut | ... | ... | ... | ... | ... | ... | ... | ... | ... | ... | 2 | |
| 000012 | Headlamp washer | ... | ... | ... | ... | ... | ... | ... | ... | ... | ... | 4 | |
| 061362 | Headlamp lock nut | ... | ... | ... | ... | ... | ... | ... | ... | ... | ... | 2 | |
| 061224 | Headlamp complete with harness (FRANCE) | ... | ... | ... | ... | ... | ... | ... | ... | ... | ... | 1 | |
| 061225 | Headlamp with harness complete (CONTINENTAL) | ... | ... | ... | ... | ... | ... | ... | ... | ... | ... | 1 | |
| 553940 | Light unit (GERMANY & ITALY) | ... | ... | ... | ... | ... | ... | ... | ... | ... | ... | 1 | |
| 54956250 | Harness... | ... | ... | ... | ... | ... | ... | ... | ... | ... | ... | 1 | |

ALTERNATOR—PAGE 30

| | | | | | | | | | | | | | |
|--------|---------------------------|-----|-----|-----|-----|-----|-----|-----|-----|-----|-----|---|-------|
| 06117 | Alternator | ... | ... | ... | ... | ... | ... | ... | ... | ... | ... | 1 | |
| 061101 | Contact breaker | ... | ... | ... | ... | ... | ... | ... | ... | ... | ... | 1 | |
| 061281 | Contact breaker screw | ... | ... | ... | ... | ... | ... | ... | ... | ... | ... | 2 | |
| 061093 | Contact breaker lead seal | ... | ... | ... | ... | ... | ... | ... | ... | ... | ... | 1 | |
| 061087 | Contact breaker cover | ... | ... | ... | ... | ... | ... | ... | ... | ... | ... | 1 | |
| 061105 | Contact breaker screw | ... | ... | ... | ... | ... | ... | ... | ... | ... | ... | 2 | |

REAR LAMP—PAGE 30

| | | | | | | | | | | | | | |
|----------|---------------------|-----|-----|-----|-----|-----|-----|-----|-----|-----|-----|---|-------|
| 54953386 | Stop and light lead | ... | ... | ... | ... | ... | ... | ... | ... | ... | ... | 1 | |
|----------|---------------------|-----|-----|-----|-----|-----|-----|-----|-----|-----|-----|---|-------|

RECTIFIER AND ZENER DIODE—PAGE 31

| | | | | | | | | | | | | | |
|----------|---------------------|-----|-----|-----|-----|-----|-----|-----|-----|-----|-----|---|-------|
| 061242 | Coil bracket | ... | ... | ... | ... | ... | ... | ... | ... | ... | ... | 1 | |
| 060865 | Coil bracket bolt | ... | ... | ... | ... | ... | ... | ... | ... | ... | ... | 2 | |
| 000012 | Coil bracket washer | ... | ... | ... | ... | ... | ... | ... | ... | ... | ... | 4 | |
| 033057 | Coil bracket nut | ... | ... | ... | ... | ... | ... | ... | ... | ... | ... | 2 | |
| 061158 | Coil | ... | ... | ... | ... | ... | ... | ... | ... | ... | ... | 2 | |
| 54419974 | Coil bracket | ... | ... | ... | ... | ... | ... | ... | ... | ... | ... | 1 | |
| 425377 | Condenser | ... | ... | ... | ... | ... | ... | ... | ... | ... | ... | 2 | |

SWITCHES AND ELECTRICAL SUNDRIES—PAGE 31

| | | | | | | | | | | | | | |
|----------------------|-------------------------------------|-----|-----|-----|-----|-----|-----|-----|-----|-----|-----|---|-------|
| 54956423 (061169) | H/T lead unsuppressed | ... | ... | ... | ... | ... | ... | ... | ... | ... | ... | 2 | |
| 54953387 | Rev counter and speedometer lead... | ... | ... | ... | ... | ... | ... | ... | ... | ... | ... | 2 | |

ACCESSORY COVER—PAGE 33

| | | | | | | | | | | | | | |
|--------|---------------------------|-----|-----|-----|-----|-----|-----|-----|-----|-----|-----|---|-------|
| 061342 | Dzus fastener | ... | ... | ... | ... | ... | ... | ... | ... | ... | ... | 1 | |
| 061341 | Dzus fastener circlip | ... | ... | ... | ... | ... | ... | ... | ... | ... | ... | 1 | |
| 061340 | Dzus fastener spacer | ... | ... | ... | ... | ... | ... | ... | ... | ... | ... | 1 | |
| 061213 | Right side cover RED... | ... | ... | ... | ... | ... | ... | ... | ... | ... | ... | 1 | |
| 061209 | Right side cover BLUE | ... | ... | ... | ... | ... | ... | ... | ... | ... | ... | 1 | |
| 061207 | Right side cover transfer | ... | ... | ... | ... | ... | ... | ... | ... | ... | ... | 1 | |
| 061202 | Left side cover RED | ... | ... | ... | ... | ... | ... | ... | ... | ... | ... | 1 | |
| 061198 | Left side cover BLUE... | ... | ... | ... | ... | ... | ... | ... | ... | ... | ... | 1 | |
| 061207 | Left side cover transfer | ... | ... | ... | ... | ... | ... | ... | ... | ... | ... | 1 | |
| 061204 | Left side cover bracket | ... | ... | ... | ... | ... | ... | ... | ... | ... | ... | 2 | |
| 042929 | Left side cover spacer | ... | ... | ... | ... | ... | ... | ... | ... | ... | ... | 1 | |
| 061344 | Left side cover bolt | ... | ... | ... | ... | ... | ... | ... | ... | ... | ... | 1 | |
| 061206 | Left side cover grommet | ... | ... | ... | ... | ... | ... | ... | ... | ... | ... | 4 | |

REVOLUTION COUNTER—PAGE 33

| | | | | | | | | | | | | | |
|--------|------------------------------------|-----|-----|-----|-----|-----|-----|-----|-----|-----|-----|---|-------|
| 061089 | Rev counter worm gear | ... | ... | ... | ... | ... | ... | ... | ... | ... | ... | 1 | |
| 061090 | Rev counter drive housing | ... | ... | ... | ... | ... | ... | ... | ... | ... | ... | 1 | |
| 061106 | Rev counter drive housing screw | ... | ... | ... | ... | ... | ... | ... | ... | ... | ... | 2 | |
| 061282 | Rev counter drive housing 'O' ring | ... | ... | ... | ... | ... | ... | ... | ... | ... | ... | 1 | |
| 061118 | Rev counter cable | ... | ... | ... | ... | ... | ... | ... | ... | ... | ... | 1 | |

| Plate No. | Part No. | Description | Qty. | Bin No. |
|----------------------------|----------|--|------|---------|
| AIR FILTER—PAGE 33 | | | | |
| | 060902A | Air filter front plate (chrome) | 1 | |
| | 061361 | Air filter front plate spacer | 1 | |
| CABLE CLIPS—PAGE 33 | | | | |
| | 026880 | Cable clip | 6 | |
| | 026881 | Cable clip | 4 | |
| TOOLS—PAGE 33 | | | | |
| | 061359 | Camshaft oil seal guide | 1 | |
| OPTIONAL | | | | |
| | 061275 | Front crash bar set | 1 | |
| | 061289 | Rear crash bar set | 1 | |

SPARES LIST FOR 1969 COMMANDO FASTBACK
to be used in conjunction with
1968 COMMANDO SPARES LIST

CRANKCASE—PAGE 4

| | | | | | | | | | | | | | | |
|--------|--------------------------------------|-----|-----|-----|-----|-----|-----|-----|-----|-----|-----|-----|----|-------|
| 061099 | Crankcase complete with timing cover | ... | ... | ... | ... | ... | ... | ... | ... | ... | ... | ... | 1* | |
| 061073 | Timing cover | ... | ... | ... | ... | ... | ... | ... | ... | ... | ... | ... | 1* | |
| 061112 | Crankcase halves less timing cover | ... | ... | ... | ... | ... | ... | ... | ... | ... | ... | ... | 1* | |
| 061100 | Crankcase timing side only | ... | ... | ... | ... | ... | ... | ... | ... | ... | ... | ... | 1* | |
| 061092 | Timing cover gasket | ... | ... | ... | ... | ... | ... | ... | ... | ... | ... | ... | 1* | |
| 061102 | Timing cover screw long | ... | ... | ... | ... | ... | ... | ... | ... | ... | ... | ... | 1* | |
| 061103 | Timing cover screw short | ... | ... | ... | ... | ... | ... | ... | ... | ... | ... | ... | 4* | |
| 061104 | Timing cover screw medium | ... | ... | ... | ... | ... | ... | ... | ... | ... | ... | ... | 7* | |

CYLINDER BARREL—PAGE 5

| | | | | | | | | | | | | | | |
|---------|---------------------------|-----|-----|-----|-----|-----|-----|-----|-----|-----|-----|-----|---|-------|
| 060396A | Cylinder barrel silver... | ... | ... | ... | ... | ... | ... | ... | ... | ... | ... | ... | 1 | |
|---------|---------------------------|-----|-----|-----|-----|-----|-----|-----|-----|-----|-----|-----|---|-------|

PISTONS—PAGE 5

| | | | | | | | | | | | | | | |
|--------|---------------------------------|-----|-----|-----|-----|-----|-----|-----|-----|-----|-----|-----|---|-------|
| 061185 | Piston complete Std. left hand | ... | ... | ... | ... | ... | ... | ... | ... | ... | ... | ... | 1 | |
| 061186 | Piston complete Std. right hand | ... | ... | ... | ... | ... | ... | ... | ... | ... | ... | ... | 1 | |
| 061180 | Scraper ring Std. | ... | ... | ... | ... | ... | ... | ... | ... | ... | ... | ... | 2 | |
| 061187 | Piston complete +010 left hand | ... | ... | ... | ... | ... | ... | ... | ... | ... | ... | ... | 1 | |
| 061189 | Piston complete +020 left hand | ... | ... | ... | ... | ... | ... | ... | ... | ... | ... | ... | 1 | |
| 061191 | Piston complete +030 left hand | ... | ... | ... | ... | ... | ... | ... | ... | ... | ... | ... | 1 | |
| 061193 | Piston complete +040 left hand | ... | ... | ... | ... | ... | ... | ... | ... | ... | ... | ... | 1 | |
| 061188 | Piston complete +010 right hand | ... | ... | ... | ... | ... | ... | ... | ... | ... | ... | ... | 1 | |
| 061190 | Piston complete +020 right hand | ... | ... | ... | ... | ... | ... | ... | ... | ... | ... | ... | 1 | |
| 061192 | Piston complete +030 right hand | ... | ... | ... | ... | ... | ... | ... | ... | ... | ... | ... | 1 | |
| 061194 | Piston complete +040 right hand | ... | ... | ... | ... | ... | ... | ... | ... | ... | ... | ... | 1 | |
| 061181 | Scraper ring +010 | ... | ... | ... | ... | ... | ... | ... | ... | ... | ... | ... | 2 | |
| 061182 | Scraper ring +020 | ... | ... | ... | ... | ... | ... | ... | ... | ... | ... | ... | 2 | |
| 061183 | Scraper ring +030 | ... | ... | ... | ... | ... | ... | ... | ... | ... | ... | ... | 2 | |
| 061184 | Scraper ring +040 | ... | ... | ... | ... | ... | ... | ... | ... | ... | ... | ... | 2 | |

CAN
REPLACE 1968
PATTERN

TIMING GEAR—PAGE 6

| | | | | | | | | | | | | | | |
|--------|-------------------------|-----|-----|-----|-----|-----|-----|-----|-----|-----|-----|-----|----|-------|
| 061086 | Camshaft thrust washer | ... | ... | ... | ... | ... | ... | ... | ... | ... | ... | ... | 1* | |
| 061084 | Camshaft | ... | ... | ... | ... | ... | ... | ... | ... | ... | ... | ... | 1* | |
| 061077 | Intermediate gear ass. | ... | ... | ... | ... | ... | ... | ... | ... | ... | ... | ... | 1* | |
| 061078 | Intermediate gear shaft | ... | ... | ... | ... | ... | ... | ... | ... | ... | ... | ... | 1* | |
| 061079 | Intermediate gear bush | ... | ... | ... | ... | ... | ... | ... | ... | ... | ... | ... | 1* | |
| 061080 | Camshaft sprocket | ... | ... | ... | ... | ... | ... | ... | ... | ... | ... | ... | 1* | |
| 20732 | Camshaft sprocket nut | ... | ... | ... | ... | ... | ... | ... | ... | ... | ... | ... | 1* | |
| 061094 | Chain tensioner slipper | ... | ... | ... | ... | ... | ... | ... | ... | ... | ... | ... | 1* | |

(*Applicable after ENGINE No. 131257)

| Plate No. | Part No. | Description | Qty. | Bin No. |
|----------------------------------|----------|--|--------------------------|----------|
| HEAD STEADY STAY—PAGE 7 | | | | |
| | 061128 | Engine steady side plate | 2 | |
| ENGINE PLATES ETC.—PAGE 7 | | | | |
| | 061226 | Front engine mounting bush | 2* | |
| | 061277 | Front engine mounting spacer | 1* | |
| | 061278 | Front engine buffer rubber | 2* | |
| | 061227 | Rear engine mounting rubber | 3* | |
| | 061279 | Rear engine mounting spacer | 2* | |
| | 061280 | Rear engine buffer rubber | 2* | |
| ROCKER COVERS ETC.—PAGE 6 | | | | |
| | 18093A | Rocker cover front (bright polish) | STATE BRIGHT OR DULL | { 2 1 |
| | 18094A | Rocker cover rear (bright polish) | | |
| CARBURETTOR—PAGE 9 | | | | |
| | 061335 | Carburettor left hand (L930/31) | 1* | |
| | 061336 | Carburettor right hand (R930/30) | 1* | |
| | 21248 | Carburettor fixing screw | 1* | |
| | 928/071 | Gauze | 2* | |
| | L930/005 | Left hand body | 1* | |
| | R930/005 | Right hand body | 1* | |
| GEARS AND SHAFTS—PAGE 11 | | | | |
| | 061057 | Sleeve gear assd. | 1 | |
| | 061058 | Layshaft 4th gear | 1 | |
| CHAINS—PAGE 11 | | | | |
| | 029485 | Rear chain—From engine No. 131757 | 1 | |
| GEAR CHANGE—PAGE 13 | | | | |
| | 040632 | Footchange Lever (Chrome) | STATE CHROME OR DULL | 1 |
| KICKSTARTER—PAGE 15 | | | | |
| | 061059 | Kickstarter crank assembled (chrome) | STATE CHROME OR DULL | { 1 1 |
| | 061055 | Kickstarter crank bare (chrome) | | |
| FRAME—PAGE 15 | | | | |
| | 061130 | Frame | 1 | |
| | 061286 | Certification label | 1 | |
| | 061287 | Certification label rivet | 4 | |
| CENTRE STAND—PAGE 17 | | | | |
| | 061116 | Centre stand | 1 | |
| | 061295 | Centre stand locating spring | 1 | |
| | 061039 | Centre stand spring | 1 | |
| FOOTRESTS—PAGE 17 | | | | |
| | 061053 | Footrest right hand (chrome) | STATE CHROME OR DULL | { 1 1 |
| | 061052 | Footrest left hand (chrome) | | |
| | 061246 | Footrest support bolt | 1* | |
| | 000011 | Footrest support bolt washer | 2* | |
| | 061247 | Footrest support bolt nut | 1* | |
| | 061228 | Footrest support plate | 1* | |
| FRONT FORKS—PAGE 17 | | | | |
| | 031544A | Top cover tube left hand (chrome) | STATE CHROME OR BLACK | { 1 1 |
| | 031545A | Top cover tube right hand (chrome) | | |
| | 18263 | Frame ball race | 2 | |
| | 15631 | Frame ball race felt washer | 2 | |

(*Applicable after ENGINE No. 131257)

| Plate No. | Part No. | Description | Qty. | Bin No. |
|--|----------|--|-------------------------|---------|
| HANDLEBAR—PAGE 19 | | | | |
| | 061046 | Handlebar (Export) | 1 | |
| FRONT MUDGUARD—PAGE 19 | | | | |
| | 060619A | Front mudguard stay (chrome) STATE CHROME OR BLACK | 2 | |
| REAR NUMBER PLATE—PAGE 19 | | | | |
| | 061355 | Reflector bracket | 2 | |
| | 000178 | Number plate spacer | 1 | |
| BRAKE CABLE—PAGE 20 | | | | |
| | 061076 | Front brake cable complete with stop switch—U.S.A. ONLY | 1 | |
| PETROL TANK—PAGE 22 | | | | |
| | 026559 | Petrol tank rubber | 1 | |
| | 032229 | Petrol tank support rubber | 1 | |
| | 009195 | Petrol tank reserve transfer | 1 | |
| | 061040 | 'NORTON' transfer | 2 | |
| | 061069 | Petrol tank RED | } 1 1 1 1 1 | |
| | 061070 | Petrol tank GREEN | | |
| | 061071 | Petrol tank RED/SILVER | | |
| | 061139 | Petrol tank FIRE-FLAKE SILVER | | |
| | | SELF FINISH NOT RECESSED FOR MOTIF | | |
| OIL TANK—PAGE 22 | | | | |
| | 061117 | Oil tank | 1 | |
| | 061017 | Oil tank transfer 750 Commando | 1 | |
| | 061354 | Oil tank washer | 1 | |
| OIL PIPES—PAGE 22 | | | | |
| | 061357 | Oil pipe clip | 1* | |
| FRONT CHAINCASE—PAGE 24 | | | | |
| | 061025 | Chaincase outer half | 1* | |
| | 060763 | Ignition indicator plate | 1* | |
| BATTERY BOX AND CARRIER—PAGE 24 | | | | |
| | 014119 | Washer... .. | 2 | |
| REAR WHEEL—PAGE 27 | | | | |
| | 011707 | Security bolt | 1 | |
| BRAKE OPERATING PARTS—PAGE 28 | | | | |
| | 061054 | Brake pedal (chrome) STATE CHROME OR DULL | 1 | |
| SPEEDOMETER—PAGE 28 | | | | |
| | 061333 | Speedometer head—kilos | 1 | |
| HEADLAMP—PAGE 28 | | | | |
| | 061160 | Headlamp complete with harness | 1* | |
| | 061356 | Headlamp bolt... .. | 2* | |
| HORN—PAGE 30 | | | | |
| | 015306 | Horn bracket guard washer | 1 | |
| | 000012 | Horn bracket guard washer | 1 | |
| | 060865 | Horn bracket guard bolt | 1 | |

(*Applicable after ENGINE No. 131257)

| Plate No. | Part No. | Description | Qty. | Bin No. |
|---------------------------|----------|-------------------------------|------|---------|
| ALTERNATOR—PAGE 30 | | | | |
| | 061177 | Alternator (rotor and stator) | 1 | |
| | 061101 | Contact breaker complete | 1* | |
| | 54419344 | Auto advance unit | 1* | |
| | 54419220 | Adjusting pin | 1* | |
| | 54415642 | Springs | 2* | |
| | 061093 | Contact breaker lead seal | 1* | |
| | 061087 | Contact breaker cover | 1* | |
| | 061281 | Contact breaker screw | 2* | |
| | 061105 | Contact breaker cover screw | 2* | |

RECTIFIER AND ZENER DIODE—PAGE 31

| | | | | |
|--|----------|---------------------------------------|----|--|
| | 061158 | Ignition coil | 2* | |
| | 061242 | Ignition coil bracket to frame | 1 | |
| | 060065 | Ignition coil bracket to frame bolt | 2 | |
| | 000012 | Ignition coil bracket to frame washer | 2 | |
| | 033057 | Ignition coil bracket to frame nut | 2 | |
| | 54419774 | Coil bracket | 1* | |
| | 425377 | Condenser | 2* | |

SWITCHES AND ELECTRICAL SUNDRIES—PAGE 31

| | | | | |
|--|--------|------------------------|----|--|
| | 061169 | H.T. Cable | 2* | |
| | 061389 | Ignition switch sleeve | 1* | |

ACCESSORY COVER—PAGE 31

| | | | | |
|--|--------|---------------------------------------|---|--|
| | 061119 | Accessory cover | 1 | |
| | 061017 | Accessory cover transfer 750 Commando | 1 | |

GASKET SETS—PAGE 31

| | | | | |
|--|--------|---------------------|----|--|
| | 061363 | Gasket set | 1* | |
| | 061092 | Timing cover gasket | 1* | |

REVOLUTION COUNTER—PAGE 33

| | | | | |
|--|--------|-------------------------------------|----|--|
| | 061118 | Rev. counter cable | 1* | |
| | 061089 | Rev. counter drive worm gear | 1* | |
| | 061090 | Rev. counter drive housing | 1* | |
| | 061106 | Rev. counter drive housing screw | 2* | |
| | 061282 | Rev. counter drive housing 'O' ring | 1* | |

CABLE CLIP—PAGE 33

| | | | | |
|--|--------|------------|---|--|
| | 026880 | Cable clip | 6 | |
| | 026881 | Cable clip | 4 | |

TAIL SECTION—PAGE 33

| | | | | | |
|--|--------|--------------------------------|---|-----|---|
| | 061063 | Tail section RED | SELF FINISH NOT RECESSED FOR MOTIF | } 1 | |
| | 061064 | Tail section GREEN | | | 1 |
| | 061065 | Tail section RED/SILVER | | | 1 |
| | 061138 | Tail section FIRE FLAKE SILVER | | | 1 |
| | 035039 | 'NORTON' Transfer | | 1 | |
| | 061044 | 'COMMANDO 750' Transfer | | 2 | |

TOOLS—PAGE 33

| | | | | |
|--|--------|-------------------------|----|--|
| | 061359 | Camshaft oil seal guide | 1* | |
|--|--------|-------------------------|----|--|

OPTIONAL EQUIPMENT

| | | | | |
|--|--------|---------------------|---|--|
| | 061275 | Crash bar set—Front | 1 | |
| | 061289 | Crash bar set—Rear | 1 | |

(*Applicable after ENGINE No. 131257)

SPARES SUPPLEMENT FOR 1970 COMMANDO—ALL MODELS

To be used in conjunction with 1968 Commando Spares List.

PARTS CHANGED FROM 1969 MODELS

| Page No. | 1970 Part No. | Description | Qty. Off | 1969 Part No. | Models used on. |
|----------|---------------|---------------------------------------|----------|---------------|---------------------------------|
| 4 | 061537 | Crankcase halves assembled ... | 1 | 061112 | ALL |
| 4 | 061417 | Crankcase Drive Side ... | 1 | 060602 | ALL |
| 4 | 061538 | Crankcase Timing Side ... | 1 | 061100 | A L |
| 4 | 061415 | Crankcase T.S. Only ... | 1 | 061100 | ALL |
| 7 | 014117 | Eng. Steady Screw Washer ... | 3 | 000011 | ALL |
| 11 | 040635 | Mainshaft 3rd Gear ... | 1 | 040012 | ALL |
| 11 | 040634 | Layshaft 3rd Gear ... | 1 | 040420 | ALL |
| — | 061441 | Certification Plate ... | 1 | 061286 | ALL U.S.A. |
| — | 030461 | Decal-Oil Recommendation ... | 1 | — | ALL |
| 17 | 061702 | Centre Stand Nut ... | 2 | 061702 | ALL |
| 24 | 061722 | Pillion Rest Support Plate ... | 2 | — | FASTBACK/ROADSTER |
| 24 | 060471 | Pillion Rest Support Spacer ... | 2 | — | FASTBACK/ROADSTER |
| 17 | NV.22840/4 | Fork Slider Pinch Stud ... | 1 | 060353 | ALL |
| 20 | 0616449 | Twistgrip ... | 1 | 016658 | ALL |
| 20 | 061450 | U.S.A. Throttle Cable (H/Bar end) ... | 1 | 060923 | ALL U.S.A. |
| 20 | 061451 | U.S.A. Throttle Cable (H/Bar end) ... | 1 | 031612 | ALL U.S.A. |
| 33 | 061513 | Side Cover ... | 1 | — | ROADSTER |
| 33 | 061699 | Decal "Roadster" ... | 1 | — | ROADSTER |
| 9 | 061606 | L.H. Exhaust U.S.A. ... | 1 | 060620 | ALL U.S.A. FASTBACK/ROADSTER |
| 9 | 061607 | R.H. Exhaust U.S.A. ... | 1 | 060621 | FASTBACK/ROADSTER U.S.A. |
| 10 | 061608 | Silencer ... | 2 | 23768 | FASTBACK/ROADSTER U.S.A. |
| 10 | 061328 | Silencer Clip ... | 2 | 16255 | ROADSTER 'S' U.S.A. FASTBACK |
| 10 | E3135 | Silencer Clip Bolt ... | 2 | 060727 | |
| 10 | E3231 | Silencer Clip Nut ... | 2 | 060348 | |
| 11 | 061721 | Silencer Stay ... | 2 | — | ALL U.S.A. ROADSTER/FASTBACK |
| 11 | 061720 | Silencer to Frame Stay ... | 2 | — | ROADSTER/FASTBACK U.S.A. |
| 24 | 061798 | Pillion Rest Bolt ... | 2 | 060617 | ROADSTER/FASTBACK U.S.A. |

1970 ROADSTER ONLY

PARTS PREVIOUSLY LISTED ONLY FOR 'S' TYPE AND NOW COMMON TO ROADSTER:

| | | | |
|--------------------------------|--------|--------------------------------------|--------|
| Front fender ... | 25542 | Headlamp bolt washer... | 000011 |
| Front fender stay (chrome) ... | 25540 | Headlamp bolt spacer ... | 061234 |
| Handlebar lug ... | 061131 | Headlamp support ... | 061239 |
| Fork crown assembled... | 061133 | Headlamp top stay L.H. ... | 061238 |
| Fork crown pinch stud ... | 061136 | Headlamp top stay R.H. ... | 061245 |
| Fork slider extension ... | 061137 | Headlamp top stay bolt ... | 060327 |
| Fork main tube ... | 061114 | Headlamp top stay washer ... | 015306 |
| Fork gaiter ... | 061115 | Headlamp bottom stay washer ... | 000012 |
| Chainguard (chrome) ... | 061272 | Headlamp bottom stay nut ... | 033057 |
| Oil tank ... | 061140 | Headlamp bottom stay locknut ... | 061362 |
| Oil feed filter ... | 061159 | Clip-harness to battery platform ... | 061378 |
| Oil feed filter washer ... | 042065 | Accessory cover bolt ... | 061204 |
| Oil feed banjo ... | 061153 | Accessory cover grommet ... | 060856 |
| Junction block ... | 061345 | | |