

BSA SPARES

5040/196

“A” MODELS
TWIN CYLINDER
500 c.c. and 650 c.c.

1954 and 1955

MODELS

A7 . . .	500 c.c.	O.H.V.	(Plunger Frame)
A7 . . .	500 c.c.	„	(Swinging Arm)
STAR TWIN	500 c.c.	„	(Plunger Frame)
SHOOTING STAR	500 c.c.	„	(Swinging Arm)
A10 . . .	650 c.c.	„	(Plunger Frame)
A10 . . .	650 c.c.	„	(Swinging Arm)
A10 . . .	650 c.c.	„	(Road Rocket)

CATALOGUE OF



BSA *Motor Cycles*

B.S.A. MOTOR CYCLES LTD.

Directors: Sir BERNARD DOCKER, K.B.E., J.P. (*Chairman*). J. LEEK, C.B.E. J. A. T. DICKINSON, O.B.E. H. J. SMITH

Registered Offices and Works

Telephones: BIRMINGHAM VICTORIA 2381 (30 lines)

Service, Spares and Repairs Department

ARMOURY ROAD, BIRMINGHAM, 11

Telegrams and Cables: "SELMOTO, BIRMINGHAM"

Telephone: VICTORIA 2234 (6 lines)

Telegrams and Cables: "SELSEEV, BIRMINGHAM"

Contractors to Her Majesty's Government, the War Office, the Admiralty, the Post Office, the Colonial and Foreign Governments

Copyright B.S.A. Co. Ltd.

Printed in England Jan. 1955

‘A’ GROUP GENERAL INDEX

	<i>pages</i>
Air Cleaners	31, 46, 48
Battery Carrier	31, 46
Bumper Bars (Front)	59, 61
Bumper Bars (Rear)	59, 61
Carburettors and Settings	87
Carrier	26, 61
Central Stand	26, 33
Chainguards	43, 50
Clutch and Chaincase	24
Colour Finishes	3
Dual Seat and Fittings	46, 53
Engine and Frame Markings	88
Engine (General)	10—17
Equipment (Electrical)	64
Equipment (Speedometers)	64
Exhaust Pipes	11
Footrests	26, 33
Frame and Fittings	25, 31
Front Fork and Fittings	35
Front Hub and Wheel Fittings	37, 39
Front Stand	43, 48, 50, 53
Gearbox and Control Parts	17, 21
Guarantee	4
Handlebars and Controls	46, 53
Handrail	61
Index (Numerical)	69, 81
Index (Numerical) (Road Rocket)	84, 85
Index (Sidecars)	82
Legshields	56, 58
Mudguards and Fittings (Front)	43, 48, 50, 53
Mudguards and Fittings (Rear)	43, 50
Oil Tank and Fittings	43, 50
Petrol Tank and Fittings	46, 48, 53
Pillion Footrests	26, 31
Pistons	87
Prop Stand	26, 31
Rear Brake Control	48, 53
Rear Hub and Wheel Fittings	37, 41
Rear Suspension	29, 33
Sidecar Chassis	67
Silencer and Fittings	43, 50
Spares and Repairs	4
Stockists	5—9
Toolbox and Fittings	43, 53
Tools and Sundries	62

NOTE. For Model A.10 Road Rocket see pages 83—85

**SUFFIX NUMBERS TO BE USED TO IDENTIFY VARYING FINISHES FOR
'A' GROUP MOTOR CYCLES**

/001	Cadmium
/003	Bright Chrome
/007	Black Enamel
/017	Chrome Plate, Black Lined Gold
/019	Chrome Plate, Matt Silver Lined Red
/021	Polished Aluminium
/024	Polychromatic Silver Beige
/026	Chrome Plate and Silver Beige Lined Red
/036	Maroon and Chrome Lined Gold
/037	Maroon only
/038	Metallic Green and Chrome Plate Lined Dark Green
/039	Metallic Green
/040	Dark Green
/041	Chrome Rim and Maroon Hub
/042	Chrome Rim and Dark Green Hub
/043	Chrome Rim and Beige Hub
/044	Chrome Rim and Black Hub

When ordering components with varying finishes, i.e., Petrol Tanks, Wheels, Rims, Brake Rods, Front Fork Oil Seal Holder — please state finish required by adding the appropriate suffix number to part number.

EXAMPLE. Petrol Tank

Metallic Green and Chrome Plate Lined Dark Green — 67 - 8104/038

SPARKING PLUGS

Champion Sparking Plugs Ltd., Feltham, Middlesex

ELECTRICAL EQUIPMENT

J. Lucas Ltd., Great King Street, Birmingham

SPEEDOMETERS

Smith's Motor Accessories, Cricklewood Works, London

SPARES

Please carry out the following in order to ensure prompt attention and correct execution of orders:

1. When ordering parts the frame and engine numbers must be quoted. The former will be found stamped on the seat or the head tube lug, and the latter on the nearside of the crankcase immediately below the cylinder base. It is essential that the component numbers of the parts required be clearly stated.
2. **IMPORTANT.**—In quoting engine and frame numbers the full numbers, including prefix letters, **MUST BE GIVEN.**

B.S.A. Motor Cycles Ltd. reserve the right to alter the designs or any constructional details of their manufactures at any time without giving notice.

COPY OF B.S.A. MOTOR CYCLE SPARE PARTS GUARANTEE

We give the following guarantee with B.S.A. Motor Cycle Spare Parts, instead of the guarantee implied by statute or otherwise, as to the quality or fitness of such parts for the purpose for which they are intended, any such implied guarantee being in all cases excluded, nor can any claim for consequential damages be entertained.

WE GUARANTEE, subject to the conditions mentioned below, that all precautions which are usual and reasonable have been taken by us to secure excellence of materials and workmanship, but this guarantee is to extend and be in force for six months only from the date of purchase, and the damages for which we make ourselves responsible under this guarantee are limited to the replacement of any part which may have proved defective.

WE UNDERTAKE, subject to the conditions mentioned below, to make good at any time within six months any defects in these respects. As motor cycles are easily liable to derangement by neglect or misuse, this guarantee does not apply to defects caused by wear and tear, misuse, or neglect. The term 'misuse' shall include among others the following acts: The attaching of a sidecar to the motor cycle in such a manner as to cause damage or calculated to render the latter unsafe when ridden; the use of a motor cycle or a motor cycle and sidecar combined when carrying more persons or a greater weight than they were designed to bear.

CONDITIONS OF GUARANTEE

We do not guarantee the specialities of other firms, such as tyres, electrical equipment, saddles, etc., or of any component part supplied to the order of the purchaser differing from our standard specifications, whether supplied with our motor cycles or otherwise.

Plate 1

ENGINE—'A' GROUP
(PLUNGER AND SWINGING ARM FRAMES)

Plate Ref. Number	Model	Part No.	Description	Number per set.
1	'A' Group	29-410	Valve spring cotter (split) (halves)	8
2	'A' Group	67-34	Valve spring collar (top)	4
3	'A' Group	67-440	Valve spring (inner)	4
4	'A' Group	67-439	Valve spring (outer)	4
5	'A' Group	67-31	Valve guide (inlet and exhaust)	4
	Shooting Star only	67-1110	Valve guide (inlet and exhaust)	4
6	'A' Group	67-33	Valve spring cup (inlet and exhaust)	4
7	A7	67-394	Valve (inlet)	2
	A10	67-323	Valve (inlet)	2
	Star Twin and Shooting Star	67-531	Valve (inlet)	2
8	'A' Group	67-279	Rocker box inspection cover joint washer	2
9	'A' Group	65-2153	Rocker box inspection cover stud nut	8
10	'A' Group	24-978	Rocker box inspection cover nut washer	8
11	'A' Group	67-263	Rocker box inspection cover	2
12	'A' Group	65-317	Rocker oil feed pipe banjo screw	2
13	'A' Group (Swinging Arm)	42-48	Rocker oil feed pipe complete	1
	'A' Group (Plunger type)	67-450	Rocker oil feed pipe complete	1
14	'A' Group	15-203	Rocker oil feed pipe union washer (top)	2
15	'A' Group (Plunger type)	67-259	Rocker box with studs	1
16	'A' Group	24-8784	Rocker box bolt washer	4
17	'A' Group	67-261	Rocker box bolt (long)	4
18	'A' Group	67-277	Rocker box joint washer (small)	2
19	A7	67-395	Valve (Exhaust)	2
	A10	67-324	Valve (exhaust)	2
	Star Twin and Shooting Star	67-532	Valve (exhaust)	2
20	'A' Group	67-64	Valve rocker spindle	2
21	'A' Group	67-60	Valve rocker thrust washer	6
22	'A' Group	67-62	Valve rocker spindle washer (spring)	4
23	'A' Group	67-266	Exhaust valve rocker (N/S)	1
24	'A' Group	67-56	Rocker adjusting screw	4
25	'A' Group	24-563	Valve rocker adjusting nut	4
26	'A' Group	67-267	Exhaust valve rocker (O/S)	1
27	'A' Group	65-311	Valve rocker spindle nut	2
28	'A' Group	36-481	Valve rocker spindle washer	2
29	'A' Group	67-61	Valve rocker thrust washer	2
30	A7 and Star Twin (Plunger)	67-2675	Exhaust pipe (O/S)	1
	A10 (Plunger)	67-2720	Exhaust pipe (O/S)	1
	A7 and Shooting Star (Swinging Arm)	42-2761	Exhaust pipe (O/S)	1
	A10 Swinging Arm	42-2766	Exhaust pipe (O/S)	1
31	'A' Group	67-265	Valve rocker (inlet) (O/S)	1
32	A7 and Star Twin (Plunger)	67-2679	Exhaust pipe (N/S)	1
	A10 (Plunger)	67-2722	Exhaust pipe (N/S)	1
	A7 and Shooting Star (Swinging Arm)	42-2763	Exhaust pipe (N/S)	1
	A10 (Swinging Arm)	42-2768	Exhaust pipe (N/S)	1
33	'A' Group	67-264	Valve rocker (inlet) (N/S)	1
34	'A' Group (Plunger)	67-347	Rocker box and steady stay stud	2
35	'A' Group (Plunger)	67-346	Engine steady stay	2
36	'A' Group (Plunger)	24-6040	Rocker box steady stay stud nut	2
37	'A' Group (Plunger)	36-382	Rocker box steady stay nut washer	6
38	'A' Group (Plunger)	2-49	Rocker box stud nut	2
39	'A' Group (Shooting Star exc.)	67-254	Cylinder and head bolt	4
	Shooting Star	67-1115	Cylinder head bolt (medium)	4
	Shooting Star	67-1116	Cylinder head bolt (long)	2
40	'A' Group (Shooting Star exc.)	67-258	Cylinder head bolt (medium)	2
41	A7 (Plunger and Swinging Arm)	67-1061	Cylinder head with fixed fittings	1
	A10 (Plunger and Swinging Arm)	67-1065	Cylinder head with fixed fittings	1
	Star Twin	67-1063	Cylinder head with fixed fittings	1
42	'A' Group	21-5102	Exhaust pipe finned collar nut	2
43	'A' Group	29-541	Exhaust pipe finned collar nut washer	2
44	'A' Group	67-2694	Exhaust pipe finned collar	2
45	'A' Group	21-6187	Exhaust pipe finned collar screw	2
46	'A' Group	65-213	Sparking plug cover	2
47	A7 and A10	65-114	Sparking plug	2
	A7 Star Twin	67-529	Sparking plug	2
	Shooting Star	65-1340	Sparking plug	2
48	'A' Group	66-102	Sparking plug washer	2

Plate 1 ENGINE 'A' GROUP (PLUNGER AND SWINGING ARM FRAMES)

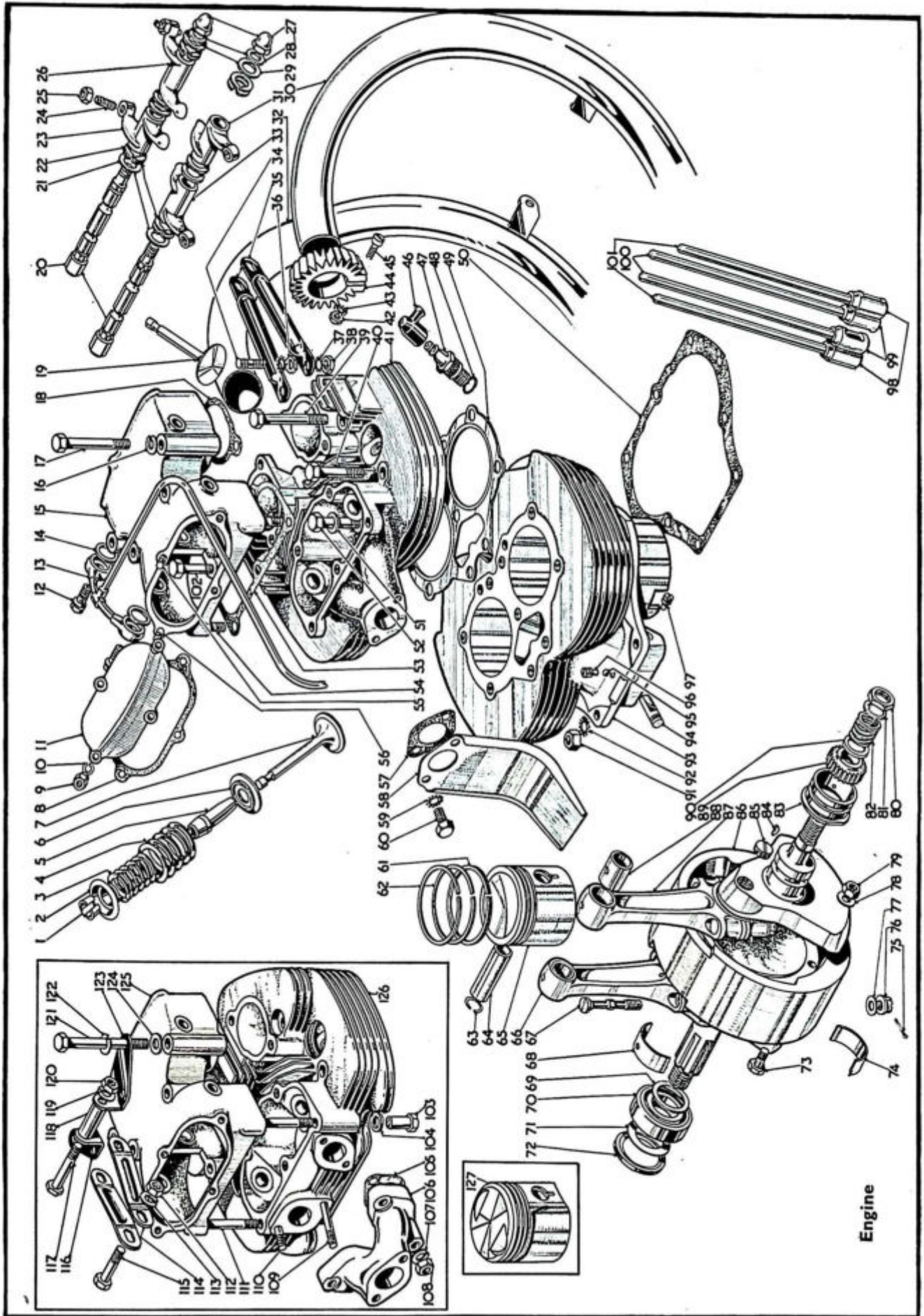


Plate 1—continued

ENGINE—'A' GROUP
(PLUNGER AND SWINGING ARM FRAMES)

Plate Ref. Number.	Model	Part No.	Description	Number per set.
49	A7 and Star Twin (Plunger) ..	67-382	Cylinder head joint washer	1
	A7 and Shooting Star (Swinging Arm) ..	67-382	Cylinder head joint washer	1
	'A' Group ..	67-255	Cylinder head joint washer	1
50	'A' Group ..	67-256	Cylinder barrel base washer	1
51	'A' Group ..	2-2138	Cylinder head bolt washer	9
52	A7, A10 and Star Twin (Plunger) ..	67-283	Cylinder head bolt (short)	3
	A7, A10 (Swinging Arm) ..	67-283	Cylinder head bolt (short)	3
	Shooting Star ..	67-1114	Cylinder head bolt (short)	3
53	'A' Group ..	67-278	Rocker box joint washer	1
54	'A' Group (Plunger) ..	67-1245	Rocker box stud	2
	A7, A10 (Swinging Arm) ..	67-1245	Rocker box stud	4
55	'A' Group ..	67-343	Rocker box cover stud	1
56	'A' Group ..	67-280	Rocker box inspection cover stud	7
57	A7 ..	65-1162	Carburettor joint washer	3
	A10, Star Twin (Plunger) ..	65-1232	Carburettor joint washer	3
	A10, Shooting Star (Swinging Arm) ..	65-1232	Carburettor joint washer	3
58	A7 and A10 ..	67-120	Carburettor drip shield	1
	Star Twin and Shooting Star ..	67-527	Carburettor drip shield	1
59	'A' Group ..	36-382	Carburettor drip shield fixing bolt washer	2
60	'A' Group ..	2-129	Carburettor fixing bolt	2
61	A7 and Star Twin (Plunger) ..	67-410	Scraper ring	2
	A7 and Shooting Star (Swinging Arm) ..	67-410	Scraper ring	2
	A10 ..	67-314	Scraper ring	2
62	A7 and Star Twin (Plunger) ..	67-407	Compression ring	4
	A7 and Shooting Star (Swinging Arm) ..	67-407	Compression ring	4
	A10 ..	67-311	Compression ring	4
63	A7 and Star Twin (Plunger) ..	67-101	Gudgeon pin circlip	4
	A7 and Shooting Star (Swinging Arm) ..	67-101	Gudgeon pin circlip	4
	A10 ..	66-954	Gudgeon pin circlip	4
64	A7 and Star Twin (Plunger) ..	67-392	Gudgeon pin	2
	A7 and Shooting Star (Swinging Arm) ..	67-392	Gudgeon pin	2
	A10 ..	65-440	Gudgeon pin	2
65	A7 ..	67-460	Piston complete	2
	A10 ..	67-423	Piston complete	2
	Star Twin and Shooting Star ..	67-533	Piston complete (7.25 to 1 C.R.)	2
66	A7, Star Twin and Shooting Star ..	67-386	Connecting rod with bushes, bolts and nuts (Drive side)	1
	A10 ..	67-317	Connecting rod with bushes, bolts and nuts (Drive side)	1
67	'A' Group ..	67-1033	Connecting rod bolt	4
68	'A' Group ..	67-320	Connecting rod big end bush (Drilled) (halves)	1
69	'A' Group ..	67-671	Crankshaft shim (.005")	As reqd.
	'A' Group ..	67-672	Crankshaft shim (.010")	As reqd.
70	'A' Group ..	67-670	Crankcase roller bearing	1
71	'A' Group ..	67-2056	Engine sprocket alignment shim (.005")	As reqd.
	'A' Group ..	67-2057	Engine sprocket alignment shim (.010")	As reqd.
	'A' Group ..	67-2058	Engine sprocket alignment shim (.030")	As reqd.
72	'A' Group ..	67-674	Crankshaft oil seal	1
73	'A' Group ..	67-301	Flywheel bolt	6
74	'A' Group ..	67-226	Big end bush (halves) (not drilled)	3
75	'A' Group ..	35-703	Connecting rod bolt split pin	4
76	'A' Group ..	67-1034	Connecting rod bolt nut	4
77	'A' Group ..	67-297	Connecting rod bolt washer	4
78	'A' Group ..	15-5155	Flywheel bolt nut washer	6
79	'A' Group ..	67-302	Flywheel bolt nut	6
80	'A' Group ..	67-643	Crankshaft nut	1
81	'A' Group ..	67-644	Crankshaft nut locking washer	1
82	'A' Group ..	67-642	Crankshaft pump gear	1
83	'A' Group ..	67-648	Crankshaft bush (Gear side)	1
84	'A' Group ..	15-40	Crankshaft pinion gear key	1
85	'A' Group ..	65-615	Crankshaft oil hole grub screw	2
86	A7, Star Twin and Shooting Star ..	67-384	Crankshaft and flywheel assembled	1
	A10 ..	67-664	Crankshaft and flywheel assembled	1
87	A7, Star Twin and Shooting Star ..	67-389	Connecting rod with bushes, bolts and nuts (Gear side)	1
	A10 ..	67-268	Connecting rod with bushes, bolts and nuts (Gear side)	1

ENGINE—'A' GROUP (PLUNGER AND SWINGING ARM FRAMES)

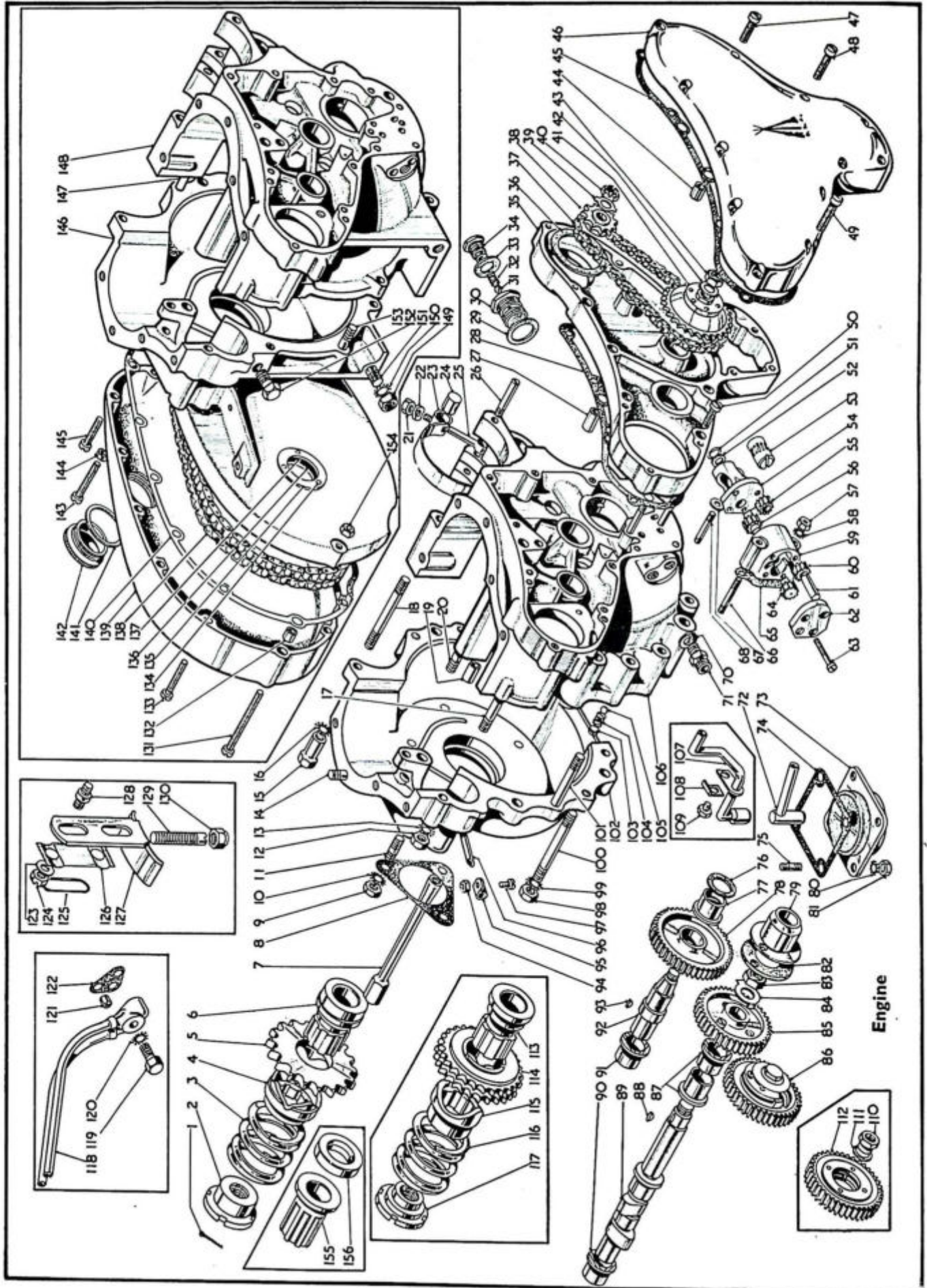
Plate Ref. Number	Model	Part No.	Description	Number per set.
88	A7, Star Twin and Shooting Star	67-393	Gudgeon pin bush	2
	A10	67-298	Gudgeon pin bush	2
89	'A' Group	67-339	Crankshaft pinion	1
90	'A' Group	67-645	Crankshaft pump gear washer	1
91	'A' Group	24-5160	Crankcase and cylinder barrel stud nut	9
92	'A' Group	36-382	Crankcase and cylinder barrel stud washer	9
93	A7, Star Twin and Shooting Star	67-1070	Cylinder barrel	1
	A10	67-1074	Cylinder barrel	1
94	'A' Group	67-331	Tappet locating pin	1
95	'A' Group	$\frac{3}{8}$ " diam.	Tappet locating pin ball	1
96	'A' Group	67-276	Tappet securing screw	1
97	'A' Group	67-299	Tappet retaining screw	2
98	'A' Group	67-332	Inlet tappet	2
99	'A' Group	67-333	Exhaust tappet	2
100	A7, Star Twin and Shooting Star	67-398	Exhaust valve push rod	2
	A10	67-362	Exhaust valve push rod	2
101	A7, Star Twin and Shooting Star	67-396	Inlet valve push rod	2
	A10	67-360	Inlet valve push rod	2
102	'A' Group	15-1355	Rocker box bolt	1
103	Shooting Star	67-1118	Rocker box and cylinder head stud nut (Rear)	2
104	Shooting Star	29-7796	Rocker box stud washer	4
105	Shooting Star	67-1120	Induction pipe joint washer	2
106	Shooting Star	67-1112	Induction pipe	1
107	Shooting Star	24-8784	Induction pipe stud washer	4
108	Shooting Star	2-49	Induction pipe stud nut	4
109	Shooting Star	67-1119	Induction pipe stud (bottom)	2
110	Shooting Star	67-1245	Induction pipe stud (top)	2
111	Shooting Star	67-1117	Rocker box stud	4
112	'A' Group Swinging Arm	24-6040	Engine steady bracket and frame bolt nut	1
113	'A' Group Swinging Arm	24-8784	Engine steady bracket and frame bolt washer	1
114	'A' Group Swinging Arm	42-55	Engine steady stay	2
115	'A' Group Swinging Arm	15-1355	Engine steady bracket and frame bolt	1
116	'A' Group Swinging Arm	42-52	Engine steady bracket (L/H)	1
117	'A' Group Swinging Arm	42-56	Engine steady bracket bolt	1
118	'A' Group Swinging Arm	42-54	Engine steady bracket distance piece	1
119	'A' Group Swinging Arm	24-8784	Engine steady bracket bolt washer	1
120	'A' Group Swinging Arm	24-6040	Engine steady bracket bolt nut	1
121	'A' Group Swinging Arm	42-62	Rocker box bolt (long)	4
122	'A' Group Swinging Arm	24-8784	Rocker box bolt washer	5
123	'A' Group Swinging Arm	42-53	Engine steady bracket (R/H)	1
124	'A' Group Swinging Arm	2-923	Engine steady bracket and rocker box washer	4
125	'A' Group Swinging Arm	42-63	Rocker box with studs	1
126	Shooting Star	67-1101	Cylinder head with fixed fittings	1
127	Shooting Star	67-566	Piston complete (8 to 1 C.R.)	2

Plate 2

ENGINE—'A' GROUP (PLUNGER AND SWINGING ARM FRAMES)

Plate Ref. Number.	Model	Part No.	Description	Number per set.
1	'A' Group	35-709	Cush drive bearing nut split pin	1
2	'A' Group Swinging Arm	67-1098	Cush drive nut	1
	A Group Swinging Arm	67-1137	Cush drive nut (1955 models)	1
3	'A' Group Swinging Arm	67-2062	Cush drive spring	1
	'A' Group Swinging Arm	67-1136	Cush drive spring (1955 models)	1
4	'A' Group Swinging Arm	15-1555	Cush drive sleeve	1
	'A' Group Swinging Arm	67-1135	Cush drive sleeve (1955 models)	1
5	A7 and Shooting Star Swinging Arm.	15-1566	Engine sprocket (18T) (1955 models)	1
	A7 and Shooting Star Swinging Arm.	67-1132	Engine sprocket (18T) (1955 models)	1
	A10 Swinging Arm	15-1560	Engine sprocket (21T)	1
	A10 Swinging Arm	67-1133	Engine sprocket (21T) (1955 models)	1
6	'A' Group Swinging Arm	67-1097	Cush drive bearing	1
7	'A' Group	67-1259	Magneto fixing nut (long)	1
8	'A' Group	67-1258	Magneto joint washer	1
9	'A' Group	24-5160	Magneto fixing nut	2
10	'A' Group	36-382	Magneto fixing nut washer (shakeproof)	3

Plate 2 ENGINE 'A' GROUP (PLUNGER AND SWINGING ARM FRAMES)



**ENGINE—'A' GROUP
(PLUNGER AND SWINGING ARM FRAMES)**

Plate Ref. Number	Model	Part No.	Description	Number per set
11	'A' Group	67-1245	Magneto fixing stud	3
12	'A' Group	2-2395	Crankcase connecting stud nut (top), (rear)	1
13	'A' Group	29-541	Crankcase connecting stud washer (shakeproof)	1
14	'A' Group	67-74	Cylinder barrel fixing stud	9
15	'A' Group	67-1292	Crankcase connecting bolt nut (top)	1
16	'A' Group	36-382	Crankcase connecting bolt washer (top)	1
17	'A' Group	67-355	Crankcase connecting stud (top) (rear)	1
18	'A' Group	67-350	Crankcase engine plate connecting stud	3
19	'A' Group	67-1236	Crankcase dowel	1
20	'A' Group	67-74	Crankcase connecting stud	1
21	'A' Group	2-833	Dynamo strap eye bolt nut	1
22	'A' Group	29-4662	Dynamo strap eye bolt saddle washer	1
23	'A' Group	67-1876	Dynamo strap	1
24	'A' Group	65-2352	Dynamo strap plug	1
25	'A' Group	29-2203	Dynamo strap eye bolt	1
26	'A' Group	67-353	Dynamo strap stud	2
27	'A' Group	27-1589	Crankcase and inner timing cover dowel	2
28	'A' Group	67-281	Inner timing cover joint washer	1
29	'A' Group	67-1499	Oil release valve washer (fibre)	1
30	'A' Group	67-1503	Oil release valve body complete	1
31	'A' Group	$\frac{1}{8}$ " diam.	Oil release valve ball	1
32	'A' Group	67-1496	Oil release valve spring	1
33	'A' Group	67-1498	Oil release valve body plug washer	1
34	'A' Group	67-1505	Oil release valve body plug	1
35	'A' Group	67-284	Inner timing cover complete	1
36	'A' Group	19-1429	Dynamo packing washer	1
37	'A' Group	67-296	Dynamo driving chain	1
38	'A' Group	67-727	Dynamo driven sprocket (11T)	1
39	'A' Group	67-729	Dynamo sprocket lock washer	1
40	'A' Group	19-1473	Dynamo sprocket nut	1
41	'A' Group	67-721	Dynamo driving sprocket	1
42	'A' Group	35-4224	Dynamo driving sprocket lock washer	1
43	'A' Group	2-449	Dynamo driving sprocket nut	1
44	'A' Group	66-3074	Outer timing cover dowel	2
45	'A' Group	67-282	Outer timing cover joint washer	1
46	'A' Group	67-287	Outer timing cover	1
47	'A' Group	67-133	Outer timing cover screw	3
48	'A' Group	67-132	Outer timing cover screw (long)	4
49	'A' Group	65-3063	Outer timing cover screw	5
50	'A' Group	67-133	Inner timing cover screw	4
51	'A' Group	67-1390	Oil pump driving spindle spring ring	1
52	'A' Group	2-3525	Oil pump driving spindle washer	1
53	'A' Group	67-1389	Oil pump driving spindle	1
54	'A' Group	67-1388	Oil pump driving spindle housing	1
55	'A' Group	67-1384	Oil pump feed gear (driven)	1
56	'A' Group	67-1383	Oil pump feed gear (driver)	1
57	'A' Group	2-51	Oil pump fixing nut	3
58	'A' Group	29-541	Oil pump fixing nut washer (shakeproof)	3
59	'A' Group	67-1382	Oil pump body	1
60	'A' Group	67-1386	Oil pump scavenge gear (driven)	1
61	'A' Group	67-1387	Oil pump scavenge gear spindle (driven)	1
62	'A' Group	67-1391	Oil pump end plate	1
63	'A' Group	67-1392	Oil pump end plate screw	4
64	'A' Group	67-1385	Oil pump scavenge gear (driver)	1
65	'A' Group	67-1393	Oil pump body joint washer	1
66	'A' Group	67-1395	Oil pump fixing stud (long)	2
67	'A' Group	67-1394	Oil pump body joint washer (small)	1
68	'A' Group	67-1396	Oil pump fixing stud (short)	1
70	'A' Group Swinging Arm	66-1683	Oil pipe crankcase pipe washer (fibre)	2
71	'A' Group Swinging Arm	65-2252	Oil pipe crankcase pipe adaptor	2
72	'A' Group Swinging Arm	67-1093	Crankcase scavenge pipe complete	1
73	'A' Group	67-1285	Scavenge cover complete	1
74	'A' Group	67-1288	Scavenge cover joint washer	1
75	'A' Group	31-222	Scavenge cover fixing stud	4
76	'A' Group	67-708	Idler pinion spindle oil seal	1
77	'A' Group	67-286	Idler pinion spindle bush	1
78	'A' Group	67-335	Idler pinion complete	1
79	'A' Group	67-130	Crankcase breather	1
80	'A' Group	29-541	Scavenge cover fixing nut washer	4
81	'A' Group	2-51	Scavenge cover fixing stud nut	4

**ENGINE—'A' GROUP
(PLUNGER AND SWINGING ARM FRAMES)**

Plate Ref. Number	Model	Part No.	Description	Number per set.
82	'A' Group	67-134	Crankcase breather outer seal ($\frac{1}{8}$ ")	1
	'A' Group	67-135	Crankcase breather outer seal ($\frac{1}{8}$ ")	As reqd.
	'A' Group	67-136	Crankcase breather outer seal ($\frac{3}{16}$ ")	As reqd.
	'A' Group	67-137	Crankcase breather outer seal ($\frac{3}{16}$ ")	As reqd.
83	'A' Group	24-7000	Camshaft pinion nut	1
84	'A' Group	67-685	Camshaft pinion nut lock washer	1
85	'A' Group	67-337	Camshaft driving pinion complete	1
86	A7, A10, Plunger and Swinging Arm.	67-1882	Auto advance unit with gear	1
87		67-686	Camshaft bush (gear side)	2
88	'A' Group	35-1896	Camshaft pinion key	1
89	A7, A10, Plunger frame and Swinging Arm.	67-334	Camshaft	1
	Star Twin and Shooting Star	67-356	Camshaft	1
90	'A' Group	67-686	Camshaft bush (drive side)	1
91	'A' Group	67-686	Idler pinion bush	1
92	'A' Group	67-707	Idler pinion spindle	1
93	'A' Group	27-1386	Idler pinion key	1
94	'A' Group	25-7151	Breather pipe clip bolt nut	1
95	'A' Group	67-923	Breather pipe clip	1
96	'A' Group	67-922	Breather pipe	1
97	'A' Group	1-4606	Breather pipe clip bolt	1
98	'A' Group Plunger	2-49	Crankcase stud nut	13
	'A' Group Swinging Arm	2-49	Crankcase stud nut	9
99	'A' Group Plunger	36-382	Crankcase stud nut washer	13
	'A' Group Swinging Arm	36-382	Crankcase stud nut washer	9
100	'A' Group Plunger	29-4101	Crankcase connecting stud (bottom) (rear)	1
	'A' Group Swinging Arm	29-4101	Crankcase connecting stud (bottom)	2
101	'A' Group Swinging Arm	67-352	Crankcase connecting stud	4
	'A' Group Plunger	67-352	Crankcase connecting stud	2
102	'A' Group Swinging Arm	67-1085	Crankcase with fixed fittings (drive side)	1
103	'A' Group	67-1401	Oil retaining ball grub screw	1
104	'A' Group	67-1400	Oil retaining ball spring	1
105	'A' Group	$\frac{1}{4}$ " diam.	Oil retaining ball	1
106	'A' Group Swinging Arm	67-1087	Crankcase with fixed fittings (gear side)	1
107	'A' Group Plunger	67-340	Scavenge pipe complete	1
108	'A' Group Plunger	67-1281	Scavenge pipe fixing bolt lock washer	1
109	'A' Group Plunger	67-1280	Scavenge pipe fixing bolt	1
110	Star Twin and Shooting Star	24-195	Magneto driving pinion nut	1
111	Star Twin and Shooting Star	2-2903	Magneto driving pinion washer	1
112	Star Twin and Shooting Star	67-540	Magneto driving pinion, assembled	1
113	'A' Group Plunger	67-2071	Cush drive bearing	1
114	'A' Group Plunger	67-2050	Engine sprocket with sleeve and key	1
115	'A' Group Plunger	67-2055	Cush drive sliding sleeve	1
116	'A' Group Plunger	67-2062	Cush drive spring	1
117	'A' Group Plunger	67-2054	Cush drive bearing nut	1
118	'A' Group Plunger	67-1461	Oil pipe union with pipes	1
119	'A' Group Plunger	67-1467	Oil pipe union fixing bolt	1
120	'A' Group Plunger	66-4707	Oil pipe union fixing bolt washer (shakeproof)	1
121	'A' Group Plunger	67-1463	Oil pipe union locating bush	1
122	'A' Group Plunger	67-1466	Oil pipe union joint washer	1
123	'A' Group Plunger	2-923	Primary chain tensioner stud washer	2
124	'A' Group Plunger	67-1264	Primary chain tensioner stud nut	2
125	'A' Group Plunger	65-8038	Primary chain tensioner stud nut locking wire	1
126	'A' Group Plunger	67-1263	Primary chain tensioner spring plate	1
127	'A' Group Plunger	67-1261	Primary chain tensioner	1
128	'A' Group Plunger	67-1262	Primary chain tensioner stud	2
129	'A' Group Plunger	67-1268	Primary chain tensioner adjuster screw	1
130	'A' Group Plunger	67-1266	Primary chain tensioner adjuster nut	1
131	'A' Group Plunger	67-1704	Primary chain cover screw (long)	1
132	'A' Group Plunger	66-3074	Crankcase and primary chain cover dowel	2
133	'A' Group Plunger	67-1706	Primary chain cover screw (medium)	7
134	'A' Group Plunger	67-1244	Crankcase oil flinger rivet	3
135	'A' Group Plunger	67-1243	Crankcase oil seal washer	1
136	'A' Group Plunger	67-1241	Crankcase oil flinger	1
137	'A' Group Plunger	67-1242	Crankcase oil seal	1
138	'A' Group Plunger	67-1703	Primary chain	1
139	'A' Group Plunger	67-1701	Primary chain cover	1
140	'A' Group Plunger	67-1702	Primary chain cover joint washer	1
141	'A' Group Plunger	67-42	Primary chain cover oil filler plug washer (fibre)	1

Plate 2—continued

ENGINE—'A' GROUP
(PLUNGER AND SWINGING ARM FRAMES)

Plate Ref. Number	Model	Part No.	Description	Number per set
142	'A' Group Plunger	65-3364	Primary chain oil filler plug	1
143	'A' Group Plunger	67-1711	Primary chain cover oil level screw	1
144	'A' Group Plunger	67-1709	Primary chain oil level screw washer	1
145	'A' Group Plunger	67-1705	Primary chain cover screw (short)	3
146	'A' Group Plunger	67-453	Crankcase with fixed fittings (drive side)	1
147	'A' Group Plunger	67-352	Crankcase connecting stud (front)	2
148	'A' Group Plunger	67-455	Crankcase with fixed fittings (gear side)	1
149	'A' Group Plunger	21-5104	Crankcase and gearbox stud nut	2
150	'A' Group Plunger	66-4707	Crankcase and gearbox stud nut washer (shakeproof)	4
151	'A' Group Plunger	35-4005	Gearbox fixing stud (crankcase bottom fixing)	2
152	'A' Group Plunger	67-1467	Gearbox fixing bolt (crankcase top fixing)	2
153	'A' Group Plunger	67-1235	Crankcase connecting stud (gearbox housing)	2
154	'A' Group Plunger	67-1710	Primary chain cover and bottom chainguard screw nut	1
155	'A' Group Swinging Arm	67-1134	Cush drive bearing (1955 models)	1
156	'A' Group Swinging Arm	67-1138	Cush drive distance piece (1955 models)	1

Plate 3

GEARBOX—'A' GROUP (PLUNGER FRAME)

Plate Ref. Number	Model	Part No.	Description	Number per set
1	'A' Group	67-3014	Gearbox with fixed fittings	1
2	'A' Group	67-3031	Gearbox inner cover joint washer	1
3	'A' Group	67-3027	Gearbox inspection hole plug	2
4	'A' Group	67-3112	Selector cam plate bearing washer	1
5	'A' Group	67-3137	Selector cam plate bearing	1
6	'A' Group	29-541	Selector cam plate bearing washer	2
7	'A' Group	21-5842	Selector cam plate bearing screw	2
8	'A' Group	67-3266	Clutch cover bolt nut	12
9	'A' Group	29-3319	Clutch cover bolt nut washer	12
10	'A' Group	67-3264	Clutch cover washer	1
11	'A' Group	67-3263	Clutch cover	1
12	'A' Group	67-3249	Clutch spring adjusting nut	6
13	'A' Group	67-3247	Clutch spring	6
14	'A' Group	67-3248	Clutch spring cup	6
15	'A' Group	67-3245	Clutch spring plate	1
16	'A' Group	67-3241	Clutch driven plate	5
17	'A' Group	67-3242	Clutch driving plate	5
18	'A' Group	67-3244	Clutch driving plate insert	120
19	'A' Group	67-3240	Clutch driven plate (rear)	1
20	'A' Group	67-3257	Clutch centre and mainshaft nut	1
21	'A' Group	67-3253	Clutch centre and mainshaft nut washer	1
22	'A' Group	67-3237	Clutch centre complete	1
23	'A' Group	67-3271	Clutch chainwheel complete	1
24	'A' Group	26-650	Clutch chainwheel rollers	18
25	'A' Group	67-3276	Clutch thrust washer (.122"-126")	As reqd.
		67-3277	Clutch thrust washer (.138"-140")	As reqd.
		67-3278	Clutch thrust washer (.148"-150")	As reqd.
26	'A' Group	67-3053	Gearbox sprocket nut	1
27	'A' Group	24-4263	Gearbox sprocket locking washer	1
28	'A' Group	67-3064	Gearbox sprocket (18T) (Standard)	1
	'A' Group	67-3065	Gearbox sprocket (19T)	As reqd.
29	'A' Group	65-3391	Speedometer driven gear bush nut	1
30	'A' Group	65-3392	Speedometer driven gear bush washer	1
31	'A' Group	65-3390	Speedometer driven gear bush	1
32	'A' Group	65-3375	Speedometer driven gear thrust washer	1
33	'A' Group	67-3175	Speedometer driven gear	1
34	'A' Group	65-3377	Speedometer gear bush	1
35	'A' Group	35-702	Clutch push rod lever nut split pin	1
36	'A' Group	15-1485	Clutch push rod lever nut	1
37	'A' Group	2-525	Clutch push rod lever washer	1
38	'A' Group	3-720	Clutch push rod lever adjusting screw nut	1
39	'A' Group	65-3403	Clutch push rod adjustment screw	1

GEARBOX 'A' GROUP (PLUNGER FRAME)

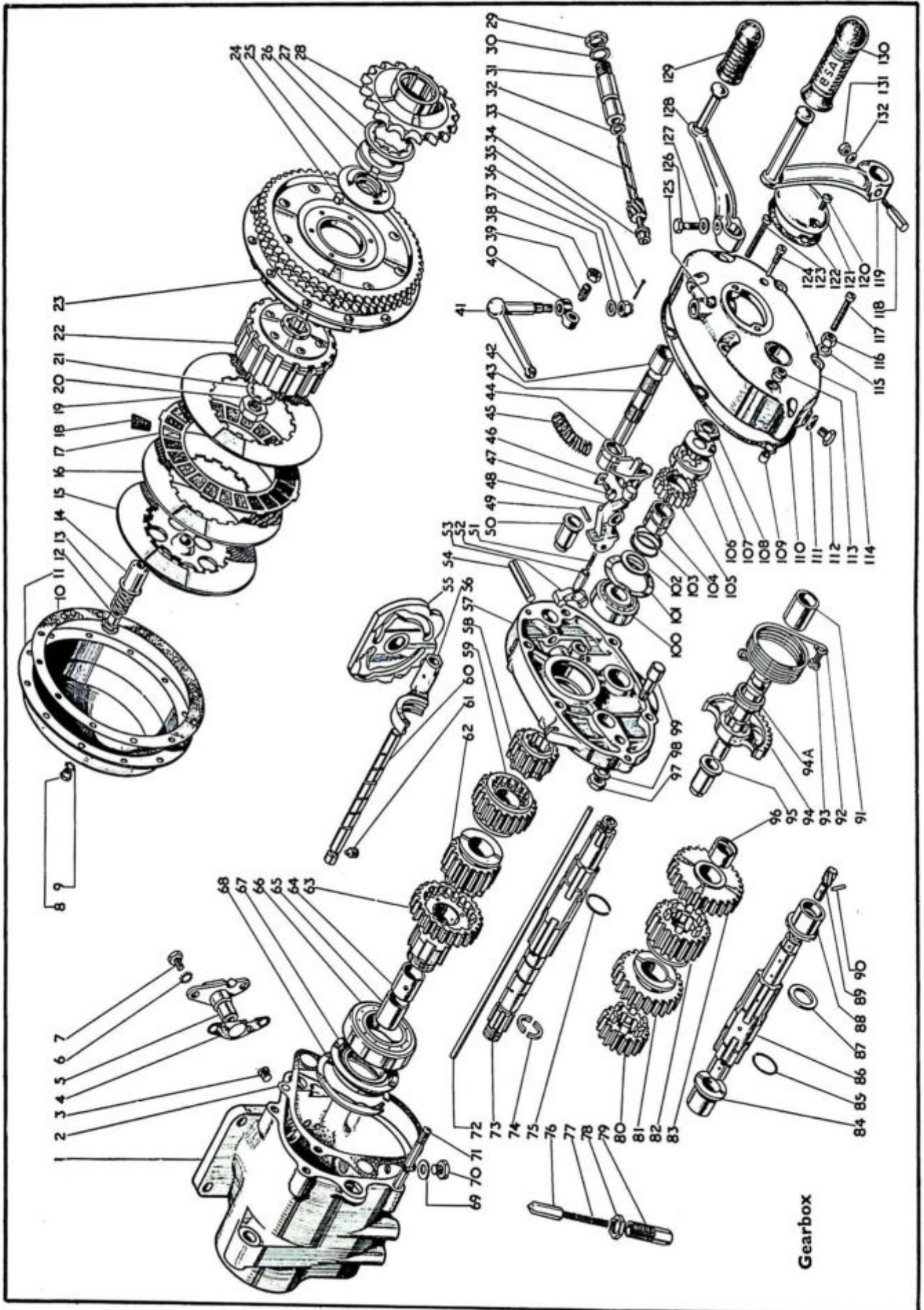


Plate 3—continued

GEARBOX—'A' GROUP (PLUNGER FRAME)

Plate Ref. Number.	Model	Part No.	Description	Number per set
40	'A' Group	65-3360	Clutch push rod lever	1
41	'A' Group	67-3180	Clutch operating lever	1
42	'A' Group	67-3140	Gearchange lever spindle bush	1
43	'A' Group	67-3147	Gear selector lever spindle	1
44	'A' Group	67-3143	Gear selector lever	1
45	'A' Group	67-3146	Selector lever return spring	2
46	'A' Group	67-3145	Selector lever screw lockwasher	1
47	'A' Group	67-3144	Selector lever screw	1
		67-3130	Gearchange selector arm complete	1
48	'A' Group	67-3131	Gearchange selector arm only	1
49	'A' Group	67-3133	Gearchange selector arm claw pivot	1
50	'A' Group	67-3170	Footchange lever spindle bush	1
51	'A' Group	67-3135	Gearchange selector arm plunger spring	1
52	'A' Group	67-3134	Gearchange selector arm plunger	1
53	'A' Group	67-3132	Gearchange selector arm claw	1
54	'A' Group	67-3136	Gearchange selector arm pivot pin	1
55	'A' Group	67-3113	Gear control cam plate	1
56	'A' Group	67-3204	Gear shifter fork	2
57	'A' Group	67-3017	Gearbox inner cover with fixed fittings	1
58	'A' Group	67-3191	Mainshaft gear (16T)	1
59	'A' Group	67-3202	Mainshaft sliding gear (24T)	1
60	'A' Group	67-3116	Gear shifter fork shaft	1
61	'A' Group	67-3117	Gear shifter fork shaft grub screw	1
62	'A' Group	67-3201	Mainshaft sliding gear (20T)	1
	'A' Group	67-3209	Mainshaft sliding gear (18T) (wide ratio)	1
	'A' Group	67-3210	Mainshaft sliding gear (22T) (wide ratio)	1
63	'A' Group	67-3192	Constant mesh gear complete with bushes (26T)	1
	'A' Group	67-3207	Constant mesh gear complete (26T) (wide ratio)	1
64	'A' Group	67-3080	Constant mesh gear bush (drilled)	1
65	'A' Group	67-3073	Constant mesh gear bush (plain)	1
66	'A' Group	24-4065	Constant mesh gear ball bearing	1
67	'A' Group	67-3067	Gearbox sprocket oil seal	1
68	'A' Group	67-3026	Ball bearing spring ring	1
69	'A' Group	2-4553	Gearbox drain plug washer	1
70	'A' Group	28-243	Gearbox drain plug	1
71	'A' Group	67-3023	Gearbox outer cover stud	4
72	'A' Group	67-3183	Clutch push rod	1
73	'A' Group	67-3061	Gearbox mainshaft only	1
	'A' Group	67-3206	Gearbox mainshaft (wide ratio)	1
		67-3190	Gearbox mainshaft complete with gear	1
74	'A' Group	67-3251	Clutch thrust washer abutment ring	1
75	'A' Group	67-3101	Mainshaft gear locating ring (wide ratio)	1
76	'A' Group	67-3199	Gear control cam plate plunger	1
77	'A' Group	67-3121	Gear control cam plate plunger spring	1
78	'A' Group	67-3122	Gear control cam plate plunger housing nut	1
79	'A' Group	67-3120	Gear control cam plate plunger housing	1
80	'A' Group	67-3196	Layshaft gear (17T)	1
81	'A' Group	67-3197	Layshaft sliding gear (23T)	1
82	'A' Group	67-3198	Layshaft sliding gear (19T)	1
	'A' Group	67-3211	Layshaft sliding gear (25T) (wide ratio)	1
	'A' Group	67-3212	Layshaft sliding gear (21T) (wide ratio)	1
83	'A' Group	67-3199	Layshaft gear complete (27T)	1
	'A' Group	67-3097	Layshaft gear complete (29T) (wide ratio)	1
84	'A' Group	65-3337	Layshaft bush	1
85	'A' Group	67-3101	Layshaft gear locating ring	1
86	'A' Group	67-3195	Layshaft only	1
		67-3194	Layshaft complete with gears	1
87	'A' Group	67-3203	Layshaft thrust washer	1
88	'A' Group	67-3099	Layshaft bush	1
89	'A' Group	67-3088	Speedometer driving gear (6T)	1
90	'A' Group	67-3128	Speedometer driving gear peg	1
91	'A' Group	67-3153	Kickstart lever spindle bush	1
92	'A' Group	67-3174	Kickstarter spring	1
93	'A' Group	2-3718	Kickstarter spring screw	1
94	'A' Group	67-3178	Kickstart spindle and quadrant	1
94A	'A' Group	67-3173	Kickstart spindle sleeve	1
95	'A' Group	67-3151	Kickstart spindle bush	1
96	'A' Group	67-3093	Layshaft gear bush	1
97	'A' Group	2-49	Kickstarter quadrant stop nut	1
98	'A' Group	24-8784	Kickstarter quadrant stop washer	1
99	'A' Group	67-3152	Kickstart quadrant stop	1
100	'A' Group	24-4217	Mainshaft bearing	1

Plate 3—continued

GEARBOX—‘A’ GROUP (PLUNGER FRAME)

Plate Ref. Number	Model	Part No.	Description	Number per set.
101	.. 'A' Group	67-3028	.. Mainshaft bearing spring ring	1
102	.. 'A' Group	67-3161	.. Kickstart ratchet pinion sleeve washer	1
103	.. 'A' Group	67-3162	.. Kickstart ratchet spring	1
104	.. 'A' Group	67-3169	.. Kickstart ratchet pinion bush	1
105	.. 'A' Group	67-3168	.. Kickstart ratchet pinion	1
106	.. 'A' Group	67-3167	.. Kickstart ratchet	1
107	.. 'A' Group	67-3164	.. Kickstart ratchet and mainshaft lockwasher	1
108	.. 'A' Group	67-3163	.. Kickstart ratchet and mainshaft nut	1
109	.. 'A' Group	66-3074	.. Gearbox cover dowel	2
110	.. 'A' Group	67-3032	.. Gearbox outer cover joint washer	1
111	.. 'A' Group	2-4553	.. Oil level plug washer	1
112	.. 'A' Group	28-243	.. Oil level plug	1
113	.. 'A' Group	27-4401	.. Kickstarter spring screw locknut	1
114	.. 'A' Group	67-3021	.. Gearbox outer cover with fixed fittings	1
115	.. 'A' Group	2-923	.. Gearbox outer cover fixing washer	4
116	.. 'A' Group	67-3034	.. Gearbox outer cover fixing nut	4
117	.. 'A' Group	67-1705	.. Gearbox outer cover fixing screw (short)	1
118	.. 'A' Group	2-2579	.. Kickstarter crank cotter	1
119	.. 'A' Group	65-3381	.. Kickstarter crank	1
120	.. 'A' Group	24-7178	.. Gearbox inspection cover screw	2
121	.. 'A' Group	67-3024	.. Gearbox inspection cover	1
122	.. 'A' Group	67-3033	.. Gearbox inspection cover joint washer	1
123	.. 'A' Group	67-1706	.. Gearbox outer cover fixing screw (long)	2
124	.. 'A' Group	67-3176	.. Speedometer driven gear retaining pin	1
125	.. 'A' Group	28-2080	.. Gearbox outer cover grease nipple	1
126	.. 'A' Group	65-3361	.. Selector lever foot operating screw	1
127	.. 'A' Group	2-525	.. Foot operating lever screw washer	1
128	.. 'A' Group	65-3417	.. Gear change operating lever	1
129	.. 'A' Group	29-3250	.. Footchange operating lever rubber	1
130	.. 'A' Group	65-3397	.. Kickstart crank rubber	1
131	.. 'A' Group	2-2578	.. Kickstart crank cotter nut	1
132	.. 'A' Group	15-5155	.. Kickstart crank cotter washer	1

Plate 4

GEARBOX—‘A’ GROUP
(SWINGING ARM FRAME)

Plate Ref. Number.	Model	Part No.	Description	Number per set.
1	.. 'A' Group	67-3026	.. Ball bearing spring ring	1
2	.. 'A' Group	67-3067	.. Gearbox sprocket oil seal	1
3	.. 'A' Group	24-4065	.. Constant mesh gear ball bearing	1
4	.. 'A' Group	67-3073	.. Constant mesh gear bush	1
5	.. 'A' Group	67-3192	.. Constant mesh gear complete (26T)	1
6	.. 'A' Group	67-3080	.. Constant mesh gear bush (drilled)	1
7	.. 'A' Group	67-3201	.. Mainshaft sliding gear (20T)	1
8	.. 'A' Group	67-3202	.. Mainshaft sliding gear (24T)	1
9	.. 'A' Group	67-3329	.. Gearbox mainshaft with gear	1
	.. 'A' Group	67-3330	.. Gearbox mainshaft only	1
10	.. 'A' Group	2-433	.. Gearbox mainshaft key	1
11	.. 'A' Group	29-3860	.. Clutch push rod	1
12	.. 'A' Group	67-3101	.. Mainshaft gear locating ring	1
13	.. 'A' Group	67-3191	.. Gearbox mainshaft gear (16T)	1
14	.. 'A' Group	24-4217	.. Mainshaft bearing	1
15	.. 'A' Group	67-3028	.. Mainshaft bearing spring ring	1
16	.. 'A' Group	67-3161	.. Kickstarter ratchet pinion sleeve washer	1
17	.. 'A' Group	67-3169	.. Kickstarter ratchet pinion bush	1
18	.. 'A' Group	67-3162	.. Kickstarter ratchet spring	1
19	.. 'A' Group	67-3168	.. Kickstarter ratchet pinion	1
20	.. 'A' Group	67-3167	.. Kickstarter ratchet	1
21	.. 'A' Group	67-3164	.. Kickstarter ratchet and mainshaft lock washer	1
22	.. 'A' Group	67-3163	.. Kickstarter ratchet and mainshaft nut	1
23	.. 'A' Group	42-3010	.. Gearchange operating lever	1

Plate 4

GEARBOX 'A' GROUP (SWINGING ARM FRAME)

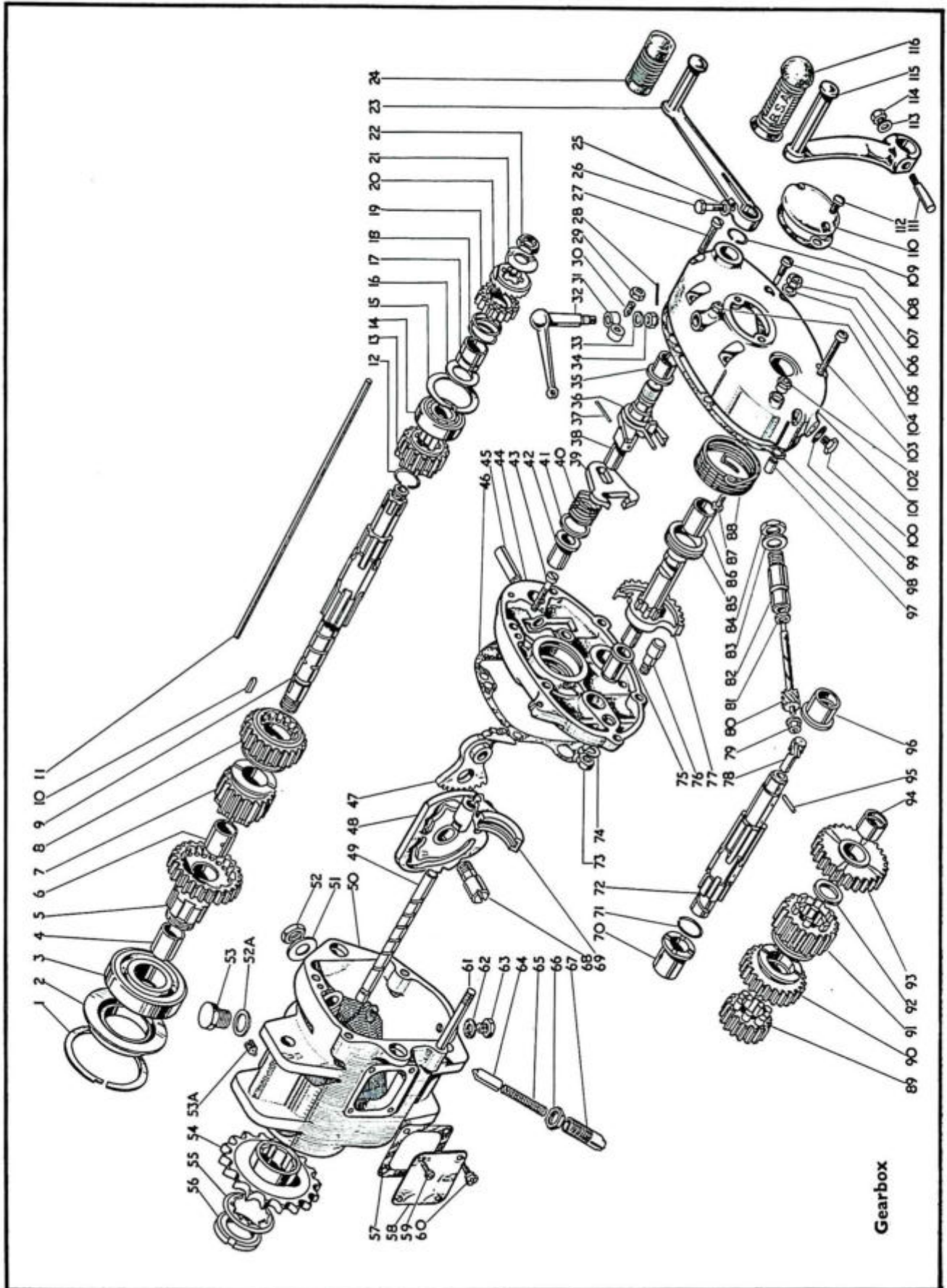


Plate 4—continued

GEARBOX—'A' GROUP
(SWINGING ARM FRAME)

Plate Ref. Number	Model	Part No.	Description	Number per set
24	'A' Group	29-3250	Foot operating lever rubber	1
25	'A' Group	2-525	Foot operating lever screw washer	1
26	'A' Group	65-3361	Selector lever foot operating screw	1
27	'A' Group	65-3061	Outer cover fixing screw (long)	2
28	'A' Group	35-702	Clutch push rod lever nut split pin	1
29	'A' Group	3-720	Clutch push rod lever adjusting screw nut	1
30	'A' Group	65-3403	Clutch push rod adjusting screw complete	1
31	'A' Group	65-3360	Clutch push rod lever	1
32	'A' Group	67-3180	Clutch operating lever complete	1
33	'A' Group	2-525	Clutch push rod lever washer	1
34	'A' Group	15-1485	Clutch push rod lever nut	1
35	'A' Group	67-3353	Gearchange lever spindle bush	1
36	'A' Group	67-3340	Footchange stop plate return spring	1
37	'A' Group	35-709	Gear selector plate spring washer split pin	1
38	'A' Group	67-3335	Selector spindle complete	1
39	'A' Group	67-3341	Gear selector plate	1
40	'A' Group	67-3342	Gear selector plate spring	1
41	'A' Group	24-868	Gear selector plate spring washer	1
42	'A' Group	67-3170	Footchange lever spindle bush	1
43	'A' Group	65-2157	Gearbox inner cover retaining screw	1
44	'A' Group	67-3344	Gearbox inner cover complete	1
45	'A' Group	67-3350	Gearchange quadrant pivot pin	1
46	'A' Group	67-3346	Gearbox inner cover joint washer (paper)	1
47	'A' Group	67-3347	Gearchange quadrant complete	1
48	'A' Group	67-3332	Gear control cam plate complete	1
49	'A' Group	67-3116	Gear shifter fork shaft	1
50	'A' Group	42-3006	Gearbox case with fixed fittings	1
51	'A' Group	67-3328	Gear cam plate pivot pin washer	1
52	'A' Group	24-7000	Gear cam plate pivot pin nut	1
53	'A' Group	67-3117	Gear shifter fork grub screw	1
54	'A' Group	67-3065	Gearbox sprocket (19T)	1
55	'A' Group	24-4263	Gearbox sprocket locking washer	1
56	'A' Group	67-3053	Gearbox sprocket nut	1
57	'A' Group	29-3449	Gearbox inspection cover washer	1
58	'A' Group	29-3448	Gearbox inspection cover	1
59	'A' Group	2-498	Gearbox inspection cover screw	1
60	'A' Group	27-4258	Gearbox inspection cover screw	3
61	'A' Group	67-3023	Gearbox outer cover stud	4
62	'A' Group	2-4553	Gearbox drain plug washer (fibre)	1
63	'A' Group	28-243	Gearbox drain plug	1
64	'A' Group	67-3119	Gearbox cam plate plunger	1
65	'A' Group	67-3121	Gear control cam plate plunger spring	1
66	'A' Group	67-3122	Gear control cam plate plunger housing nut	1
67	'A' Group	67-3120	Gear control cam plate plunger housing	1
68	'A' Group	67-3327	Gear cam plate pivot pin	1
69	'A' Group	67-3204	Gear shifter fork	2
70	'A' Group	67-3230	Layshaft bush	1
71	'A' Group	67-3101	Layshaft gear locating ring	1
72	'A' Group	42-3018	Layshaft complete with gear (17T)	1
	'A' Group	42-3019	Layshaft only	1
73	'A' Group	2-49	Kickstarter quadrant stop nut	1
74	'A' Group	24-8784	Kickstarter quadrant stop washer	1
75	'A' Group	67-3151	Kickstarter spindle bush	1
76	'A' Group	67-3152	Kickstarter quadrant stop	1
77	'A' Group	67-3178	Kickstarter crank spindle assembly	1
78	'A' Group	67-3088	Speedometer driving gear (6T)	1
79	'A' Group	65-3377	Speedometer gear bush	1
80	'A' Group	67-3175	Speedometer driven gear (11T)	1
81	'A' Group	65-3375	Speedometer driven gear thrust washer	1
82	'A' Group	65-3390	Speedometer driven gear bush	1
83	'A' Group	65-3392	Speedometer driven gear bush washer (fibre)	1
84	'A' Group	65-3391	Speedometer driven gear bush nut	1
85	'A' Group	67-3173	Kickstarter spindle sleeve	1
86	'A' Group	67-3153	Kickstarter lever spindle bush	1
87	'A' Group	2-3718	Kickstarter spring screw	1
88	'A' Group	67-3174	Kickstarter spring	1
89	'A' Group	42-3020	Layshaft gear (17T)	1
90	'A' Group	42-3023	Layshaft sliding gear (23T)	1
91	'A' Group	67-3198	Layshaft sliding gear (19T)	1
92	'A' Group	67-3203	Layshaft thrust washer	1

Plate 4—continued

**GEARBOX—‘A’ GROUP
(SWINGING ARM FRAME)**

Plate Ref. Number	Model	Part No.	Description	Number per set
93	.. 'A' Group	67-3199	Layshaft gear complete (27T)	1
94	.. 'A' Group	67-3093	Layshaft gear bush	1
95	.. 'A' Group	67-3128	Speedometer gear layshaft peg	1
96	.. 'A' Group	67-3099	Layshaft bush	1
97	.. 'A' Group	66-3074	Dowel	2
98	.. 'A' Group	67-3354	Gearbox outer cover joint washer (paper)	1
99	.. 'A' Group	2-4553	Oil level plug washer (fibre)	1
100	.. 'A' Group	28-243	Oil level plug	1
101	.. 'A' Group	67-3351	Gearbox outer cover complete	1
102	.. 'A' Group	27-4401	Kickstarter spring screw locknut	1
103	.. 'A' Group	67-1705	Outer cover fixing screw (short)	1
104	.. 'A' Group	28-2080	Grease nipple	1
105	.. 'A' Group	2-923	Outer cover fixing nut washer	4
106	.. 'A' Group	67-3034	Outer cover fixing nut	4
107	.. 'A' Group	67-3176	Speedometer driven gear retaining pin	1
108	.. 'A' Group	15-4240	Gearchange operating spindle circlip	1
109	.. 'A' Group	67-3033	Inspection cover joint washer (fibre)	1
110	.. 'A' Group	67-3024	Inspection cover	1
111	.. 'A' Group	2-2579	Kickstarter crank cotter	1
112	.. 'A' Group	24-7178	Inspection cover fixing screw	2
113	.. 'A' Group	15-5155	Kickstarter crank cotter washer (plain)	1
114	.. 'A' Group	2-2578	Kickstarter crank cotter nut	1
115	.. 'A' Group	65-3381	Kickstarter pedal	1
116	.. 'A' Group	65-3397	Kickstarter pedal rubber	1

Plate 5

**CLUTCH AND FRONT CHAINCASE—‘A’ GROUP
(SWINGING ARM FRAME)**

Plate Ref. Number.	Model	Part No.	Description	Number per set
1	.. 'A' Group	42-3052	Clutch complete	1
1	.. 'A' Group	67-1706	Primary chaincase front fixing screw	3
1	.. 'A' Group	67-1711	Primary chaincase front fixing oil level and drain screw	2
2	.. 'A' Group	67-1709	Primary chaincase oil level and drain washer (fibre)	2
3	.. 'A' Group	65-3063	Primary chaincase front fixing screw	7
4	.. 'A' Group	2-2395	Clutch spring retaining stud nut	12
5	.. 'A' Group	66-3800	Clutch spring	6
6	.. 'A' Group	66-3781	Clutch spring cup	6
7	.. 'A' Group	42-3056	Clutch actuating cap complete	1
8	.. 'A' Group	65-3858	Clutch plate ferodo inserts	120
9	.. 'A' Group	65-3911	Clutch ballrace inner ring	1
10	.. 'A' Group	65-3910	Clutch ball race ring	2
11	.. 'A' Group	66-3891	Clutch chainwheel ferodo inserts	24
12	.. 'A' Group	24-8930	Primary chain	1
13	.. 'A' Group	65-3873	Clutch sleeve	1
14	.. 'A' Group	65-3833	Clutch sleeve collar	1
15	.. 'A' Group	66-7523	Primary chaincase sliding plate bolt	2
16	.. 'A' Group	2-1462	Primary chaincase sliding plate bolt washer	2
17	.. 'A' Group	2-443	Primary chaincase sliding plate bolt nut	2
18	.. 'A' Group	65-109	Primary chaincase back fixing bolt	1
19	.. 'A' Group	15-7563	Primary chaincase back fixing distance collar	1
20	.. 'A' Group	35-33	Primary chaincase back fixing bolt washer	1
21	.. 'A' Group	2-49	Primary chaincase back fixing bolt nut	1
22	.. 'A' Group	66-3074	Primary chaincase dowel	2
23	.. 'A' Group	42-7503	Primary chaincase (back)	1
24	.. 'A' Group	42-7504	Primary chaincase back washer (felt)	1
25	.. 'A' Group	66-7520	Primary chaincase sliding plate complete	1
26	.. 'A' Group	65-3872	Clutch plate	1

Plate 5 CLUTCH AND FRONT CHAINCASE 'A' GROUP (SWINGING ARM FRAME)

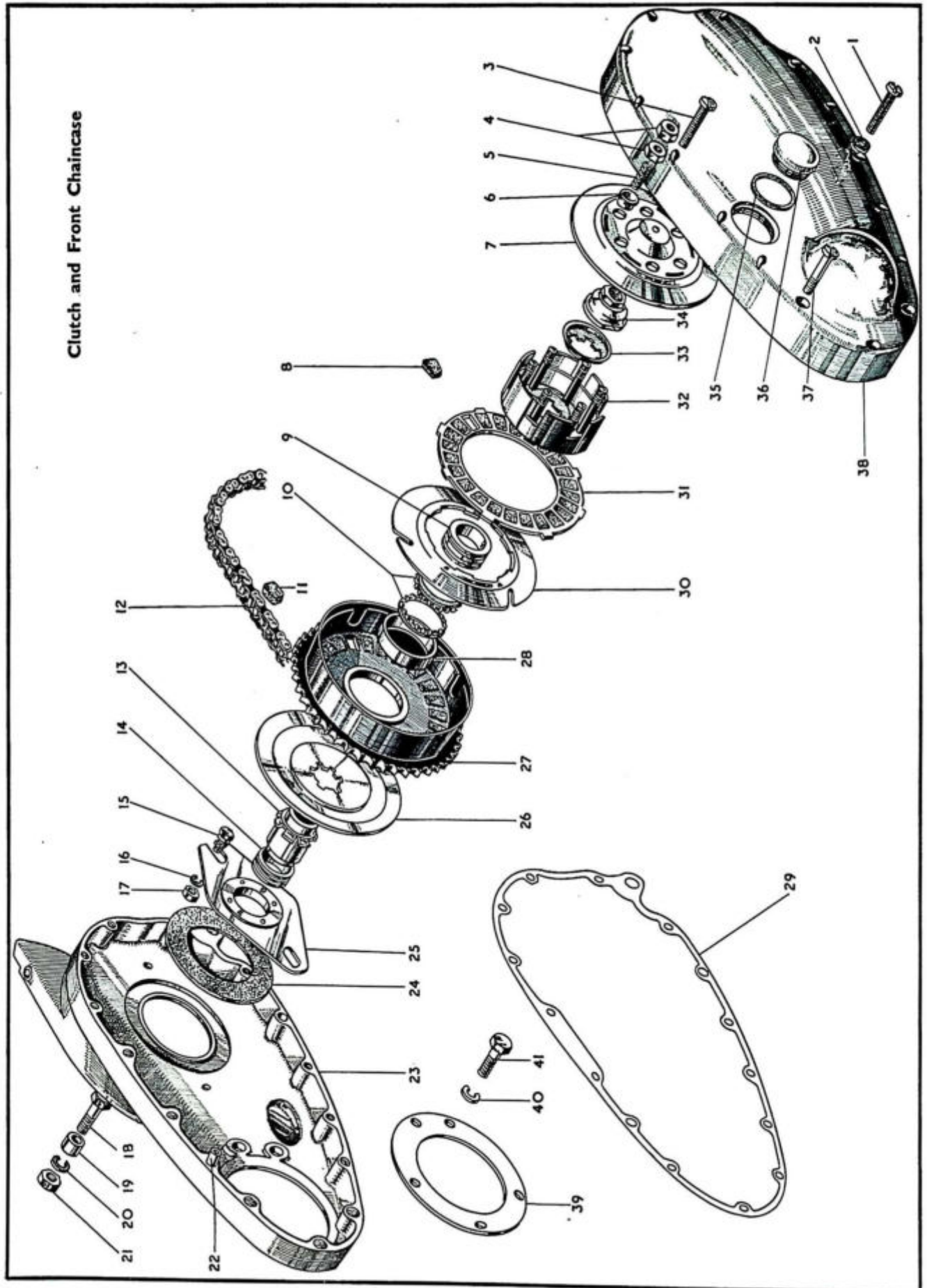


Plate 5—continued

**CLUTCH AND FRONT CHAINCASE—'A' GROUP
(SWINGING ARM FRAME)**

Plate Ref. Number	Model	Part No.	Description	Number per set
27	'A' Group	42-3054	Clutch chainwheel	1
28	'A' Group	65-3912	Clutch ballrace ring	1
29	'A' Group	42-7507	Primary chaincase joint washer	1
30	'A' Group	65-3824	Clutch driven plate	5
31	'A' Group	65-3857	Clutch driving plate with inserts	5
32	'A' Group	66-3903	Clutch driving plate centre with studs	1
33	'A' Group	65-3822	Mainshaft locking washer nut	1
34	'A' Group	66-3787	Mainshaft nut	1
35	'A' Group	67-42	Primary chaincase inspection cap washer	1
36	'A' Group	65-3364	Primary chaincase inspection cap	1
37	'A' Group	42-7510	Primary chaincase front fixing screw	3
38	'A' Group	42-7506	Primary chaincase (front)	1
39	'A' Group	42-7509	Primary chaincase and crankcase joint washer	1
40	'A' Group	24-8784	Primary chaincase back securing bolt washer (spring)	2
41	'A' Group	67-4028	Primary chaincase back securing bolt	2

Plate 6

**FRAME AND FITTINGS
'A' GROUP (PLUNGER FRAME)**

Plate Ref. Number	Model	Part No.	Description	Number per set
1	'A' Group	67-4038	Gearbox foot set screw locking wire (4in.)	1
2	'A' Group	67-4028	Gearbox foot set screw	2
3	'A' Group	36-382	Gearbox foot set screw washer (shakeproof)	2
4	'A' Group	67-4848	Central stand pin	2
5	'A' Group	28-2080	Central stand pin grease nipple	2
6	'A' Group	35-698	Central stand split pin	2
7	'A' Group	67-4029	Footrest stud (offside)	1
	'A' Group	67-4041	Footrest stud (nearside)	1
8	'A' Group	67-4851	Footrest bracket	2
9	'A' Group	67-4852	Footrest bracket nut complete (offside)	1
	'A' Group	67-4856	Footrest bracket nut complete (nearside)	1
10	'A' Group	29-7551	Footrest rubber	2
11	'A' Group	2-46	Crankcase and exhaust pipe lug stud nut	2
12	'A' Group	66-4707	Crankcase and exhaust pipe lug stud washer (shakeproof)	2
13	'A' Group	67-1251	Crankcase and exhaust pipe lug stud (solo machines)	1
14	'A' Group	27-6275	Crankcase and exhaust pipe lug stud (when sidecar fitted)	1
15	'A' Group	67-4173	Front engine plate complete (offside)	1
15A	'A' Group	67-354	Front engine support bolt	1
16	'A' Group	24-5160	Engine steady stay bolt nut	1
16A	'A' Group	36-382	Engine steady stay bolt washer (shakeproof)	1
17	'A' Group	2-923	Engine steady stay bolt washer (plain)	1
17A	'A' Group	28-2080	Ball head grease nipple	1
18	'A' Group	67-4056	Frame front complete	1
18A	'A' Group	32-194	Engine steady stay bolt	1
19	'A' Group	67-4036	Engine plate insert complete	1
20	'A' Group	67-4171	Front engine plate complete (nearside)	1
21	'A' Group	66-4708	Front engine support bolt washer (shakeproof)	1
22	'A' Group	2-440	Front engine support bolt nut	1
23	'A' Group	2-46	Saddle front pivot bolt nut	1
24	'A' Group	66-4707	Saddle front pivot bolt washer (shakeproof)	1
25	'A' Group	66-4708	Backstay and seat lug washer (shakeproof)	1
26	'A' Group	28-2080	Saddle pivot grease nipple	1
27	'A' Group	67-4030	Saddle front pivot bolt	1
28	'A' Group	15-7161	Carrier fixing screw	4
29	'A' Group	67-6921	Carrier complete	1
30	'A' Group	2-1462	Carrier fixing screw washer (spring)	4
31	'A' Group	2-2395	Carrier fixing screw nut	4
32	'A' Group	66-4175	Backstay and seat lug stud	1

FRAME AND FITTINGS 'A' GROUP (PLUNGER FRAME)

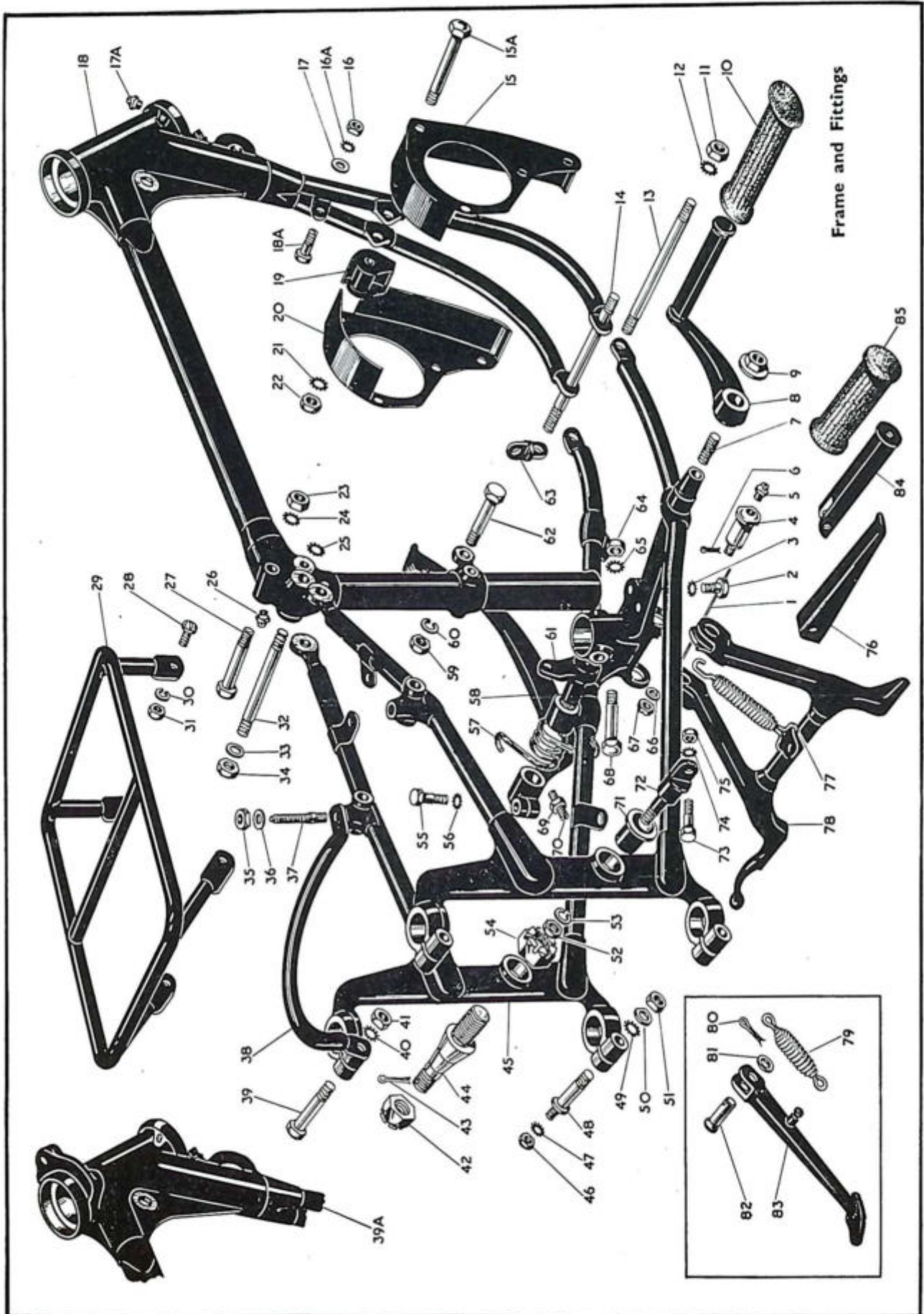


Plate 6—continued

FRAME AND FITTINGS
'A' GROUP (PLUNGER FRAME)

Plate Ref. Number	Model	Part No.	Description	Number per set
33	'A' Group	2-1945	Backstay and seat lug stud washer	2
34	'A' Group	15-541	Backstay and seat lug stud nut	2
35	'A' Group	2-49	Saddle rear fixing stud nut	4
36	'A' Group	2-923	Saddle rear fixing stud washer	4
37	'A' Group	67-4040	Saddle rear fixing stud	2
38	'A' Group	67-4130	Lifting handle	1
39	'A' Group	31-68	Plunger column bolt (top)	2
39A	'A' Group	67-4189	Frame front (1955 models)	1
40	'A' Group	66-4707	Plunger column bolt washer (top) (shakeproof)	2
41	'A' Group	2-46	Plunger column bolt nut (top)	2
42	'A' Group	2-1946	Sidecar chainstay lug stud nut	1
43	'A' Group	35-722	Sidecar chainstay lug stud split pin	2
44	'A' Group	67-4120	Sidecar chainstay lug stud	1
45	'A' Group	67-4094	Chainstay and backstay complete	1
46	'A' Group	2-49	Plunger carrier bottom clip and silencer support bolt nut	2
47	'A' Group	36-382	Plunger carrier bottom clip and silencer support bolt washer (shakeproof)	2
48	'A' Group	67-4128	Plunger carrier bottom clip and silencer support bolt	2
49	'A' Group	66-4707	Plunger carrier bottom clip bolt washer (shakeproof)	2
50	'A' Group	67-4129	Plunger carrier bottom clip and silencer support bolt distance washer	2
51	'A' Group	2-46	Plunger carrier and bottom clip bolt nut	2
52	'A' Group	2-46	Pillion footrest anchor bolt nut	2
53	'A' Group	2-2903	Pillion footrest anchor bolt washer (spring)	2
54	'A' Group	67-4122	Sidecar chainstay lug stud locknut	1
55	'A' Group	15-518	Rear brake pedal pinch bolt	1
56	'A' Group	36-382	Rear brake pedal pinch bolt washer (shakeproof)	1
57	'A' Group	67-7032	Rear brake pedal return spring	1
58	'A' Group	67-7026	Rear brake pedal complete	1
59	'A' Group	2-440	Gearbox top fixing bolt nut	1
60	'A' Group	3-110	Gearbox top fixing bolt washer (spring)	1
61	'A' Group	67-7027	Rear brake pedal operating lever	1
62	'A' Group	67-4027	Gearbox top fixing bolt	1
63	'A' Group	3-1718	Front bottom connecting link (when sidecar fitted)	1
64	'A' Group	2-440	Chainstay bridge clamp bolt nut	1
65	'A' Group	66-4708	Chainstay bridge clamp bolt washer (shakeproof)	1
66	'A' Group	30-733	Central stand pin washer	2
67	'A' Group	21-431	Central stand pin nut	2
68	'A' Group	67-4027	Chainstay bridge clamp bolt	1
69	'A' Group	2-2395	Rear brake pedal adjusting screw nut	1
70	'A' Group	67-7037	Rear brake pedal adjusting screw	1
71	'A' Group	67-4183	Pillion footrest adaptor (solo)	2
	'A' Group	67-4183	Pillion footrest adaptor (sidecar)	1
72	'A' Group	29-7560	Pillion footrest anchor bolt	2
73	'A' Group	29-7564	Pillion footrest swivel bolt	2
74	'A' Group	36-382	Pillion footrest swivel bolt washer (shakeproof)	2
75	'A' Group	24-6040	Pillion footrest swivel bolt nut	2
76	'A' Group	29-7561	Pillion footrest complete	2
77	'A' Group	67-4847	Central stand spring	1
78	'A' Group	67-4816	Central stand complete	1
79	'A' Group	65-4742	Prop stand spring	1
80	'A' Group	35-710	Prop stand split pin	1
81	'A' Group	2-1945	Prop stand pivot pin washer	1
82	'A' Group	67-4907	Prop stand pivot pin	1
83	'A' Group	67-4903	Prop stand leg	1
	'A' Group	67-4902	Prop stand assembly	1
84	'A' Group	29-7581	Pillion footrest (less rubber) (1955 models)	2
85	'A' Group	29-7583	Pillion footrest rubber (1955 models)	2

Plate 7
REAR SUSPENSION—'A' GROUP (PLUNGER FRAME)

Plate Ref. Number	Model	Part No.	Description	Number per set
1	'A' Group	67-4166	Plunger carrier column screw plug	2
2	'A' Group	89-4041	Plunger carrier column assembly	2
3	'A' Group	89-4248	Plunger spring outer shroud	2
4	'A' Group	89-4249	Plunger spring inner shroud	2
5	'A' Group	89-4257	Plunger spring top collar	2
6	'A' Group	67-4132	Plunger spring (top)	2
7	'A' Group	89-4247	Plunger spring (top) (sidecar)	2
8	'A' Group	66-4707	Clamp lug bolt washer (shakeproof)	2
9	'A' Group	89-4046	Plunger tube with bushes	2
10	'A' Group	3-1399	Clamp lug bolt	2
11	'A' Group	28-2080	Rear spindle clamp lug grease nipple	2
12	'A' Group	67-4125	Rear spindle clamp lug (nearside)	1
13	'A' Group	67-4126	Rear spindle clamp lug (offside)	1
14	'A' Group	89-4240	Rebound spring shroud (outer)	2
15	'A' Group	89-4241	Rebound spring shroud (inner)	2
16	'A' Group	89-4258	Rebound spring bottom collar	2
17	'A' Group	89-4259	Rebound spring (bottom)	2
18	'A' Group	2-46	Clamp lug bolt nut	2
19	'A' Group	15-1312	Rear wheel adjusting screw spring	2
20	'A' Group	66-4603	Rear wheel adjusting screw	2
21	'A' Group	67-4127	Rebound spring top collar	2

Plate 8
**FRAME AND FITTINGS
'A' GROUP (SWINGING ARM FRAME)**

Plate Ref. Number	Model	Part No.	Description	Number per set
1	'A' Group	65-4182	Rear engine and gearbox plate to frame stud (bottom rear)	1
2	'A' Group	2-522	Rear engine and gearbox plate to frame stud washer (spring) (bottom rear)	2
3	'A' Group	2-46	Rear engine and gearbox plate to frame stud nut (bottom rear)	2
4	'A' Group	2-1945	Gearbox pivot stud washer (plain)	2
5	'A' Group	2-1967	Gearbox pivot stud washer (spring)	2
6	'A' Group	2-1925	Gearbox pivot stud nut	2
7	'A' Group	42-4077	Gearbox pivot stud	1
8	'A' Group	27-5683	Rear engine and gearbox plate stud (bottom front)	1
9	'A' Group	2-522	Rear engine and gearbox plate stud washer (spring) (bottom front)	2
10	'A' Group	2-46	Rear engine and gearbox plate stud nut (bottom front)	2
11	'A' Group	2-522	Rear engine plate and crankcase stud washer (spring) (bottom)	2
12	'A' Group	2-46	Rear engine plate and crankcase stud nut (bottom)	2
13	'A' Group	65-4182	Rear engine plate and crankcase stud (bottom)	1
14	'A' Group	42-4277	Front engine plate (offside)	1
15	'A' Group	42-4283	Front engine plate complete (nearside)	1
16	'A' Group	66-4149	Ball head cup	2
17	'A' Group	42-4211	Frame complete with fixed fittings	1
18	'A' Group	28-2080	Ball head grease nipple	1
19	A7 Shooting Star	67-9126	Air cleaner	1
20	A7 Shooting Star	65-9271	Air cleaner (1955 models)	1
21	'A' Group	42-4078	Petrol tank fixing bolt socket	1
22	'A' Group	29-8740	Petrol tank fixing bolt socket tab washer	1
23	'A' Group	66-4707	Saddle front fixing bolt washer (shakeproof)	1
24	'A' Group	2-46	Saddle front fixing bolt nut	1
25	'A' Group	29-3319	Air cleaner fixing screw washer (shakeproof)	2
26	'A' Group	42-4574	Air cleaner fixing screw	2
27	'A' Group	2-1096	Air cleaner fixing screw washer (plain)	2
28	'A' Group	67-4588	Air cleaner rubber connection spring clip	1
29	'A' Group	42-4573	Air cleaner rubber connection	1
30	A7, A10 Swinging Arm	42-4585	Air cleaner rubber connection (1955 models)	1
31	'A' Group	27-5690	Front engine plate and frame stud (top)	1
32	'A' Group	2-522	Front engine plate and frame stud washer (spring)	4
33	'A' Group	2-46	Front engine plate and frame stud nut	4
34	'A' Group	67-1292	Front engine plate and crankcase stud nut	1

REAR SUSPENSION 'A' GROUP (PLUNGER FRAME)

Rear Suspension

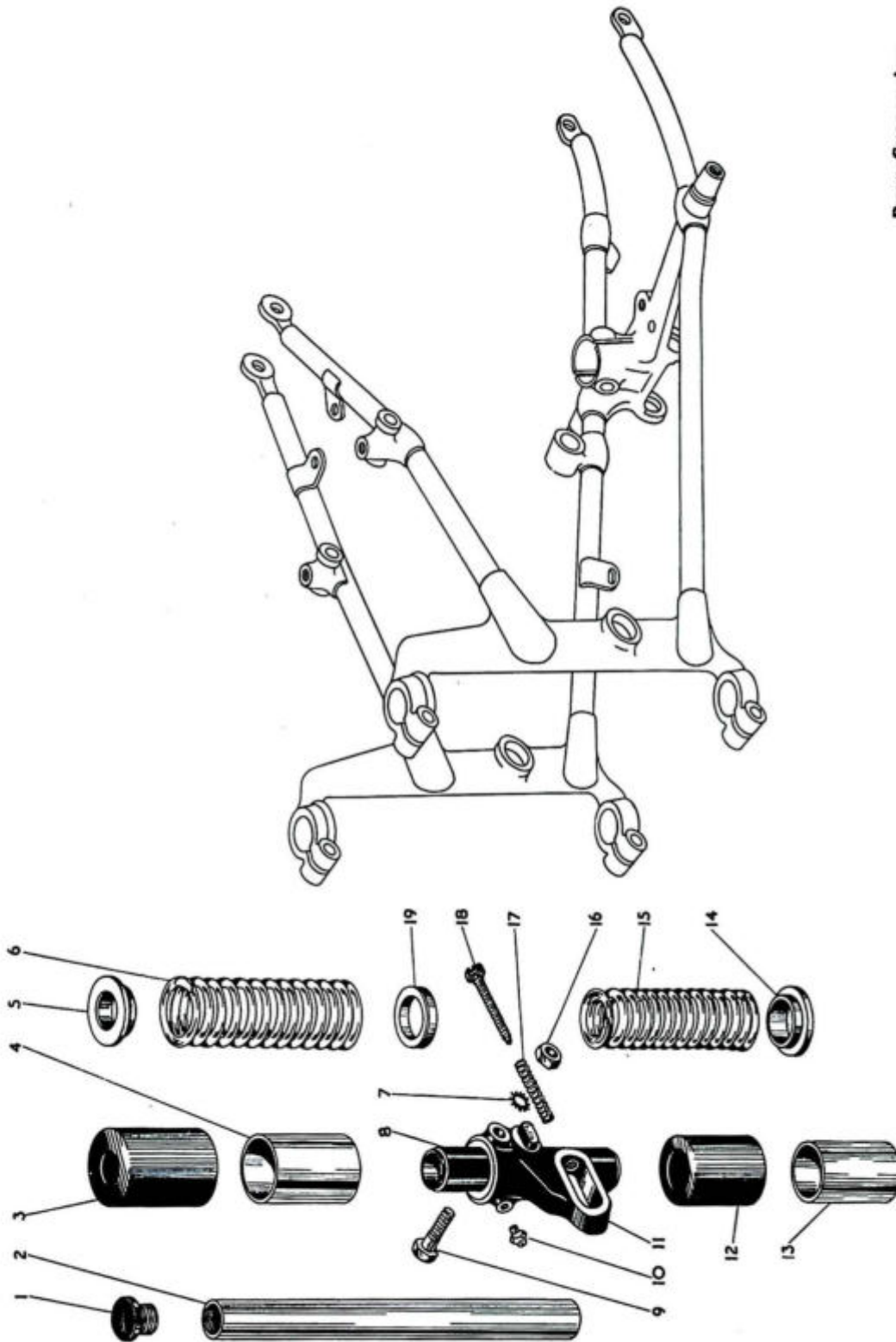


Plate 8

FRAME AND FITTINGS
'A' GROUP (SWINGING ARM FRAME)—continued

Plate Ref. Number	Model	Plate No.	Description	Number per set
33	'A' Group	24-8784	Front engine plate and crankcase stud washer (spring)	6
34	'A' Group	67-350	Front engine plate and crankcase stud	3
35	'A' Group	27-6276	Front engine plate, exhaust pipe and horn stud	1
36	'A' Group	42-4278	Rear engine and gearbox plate (top) (offside)	1
	'A' Group	42-4279	Rear engine and gearbox plate (top) (nearside)	1
37	'A' Group	42-4280	Rear engine and gearbox plate (bottom), (offside)	1
	'A' Group	42-4281	Rear engine and gearbox plate (bottom) (nearside)	1
38	'A' Group	66-4163	Rear engine plate and crankcase stud (top)	1
39	'A' Group	42-4071	Front engine plate and frame distance collar	2
40	'A' Group	2-49	Front engine plate and crankcase stud nut	5
41	'A' Group	2-46	Rear engine plate and crankcase stud nut (top)	2
42	'A' Group	2-522	Rear engine plate and crankcase stud washer (spring) (top)	2
43	'A' Group	2-1925	Gearbox locking stud nut	1
44	'A' Group	2-1967	Gearbox locking stud washer (spring)	1
45	'A' Group	42-4076	Gearbox adjusting screw	1
46	'A' Group	2-1616	Gearbox adjusting screw locknut	1
47	'A' Group	15-5664	Gearbox adjusting screw nut	1
48	'A' Group	27-5705	Gearbox adjusting screw stop	1
49	'A' Group	42-4075	Gearbox locking stud washer (serrated)	1
50	'A' Group	42-4074	Gearbox locking stud complete	1
51	'A' Group	42-4132	Rear engine and gearbox plate frame bolt (top)	1
52	'A' Group	2-1462	Gearbox adjusting screw stop washer (spring)	1
53	'A' Group	2-2395	Gearbox adjusting screw stop nut	1
54	'A' Group	2-522	Rear engine and gearbox plate frame bolt washer (spring) (top)	1
54A	'A' Group	2-46	Rear engine and gearbox plate frame bolt nut (top)	1
55	'A' Group	24-6770	Battery base plate bolt	4
56	'A' Group	2-923	Battery base plate bolt washer	2
57	'A' Group	15-6524	Battery base plate bolt nut	2
58	'A' Group	36-382	Battery base plate bolt washer (shakeproof)	4
59	'A' Group	42-4515	Battery base plate	1
60	'A' Group	42-4272	Rear engine plate cover complete	1
61	A7, A10 Swinging Arm	42-4582	Air cleaner complete	1
62	'A' Group	28-2080	Saddle front bolt grease nipple	1
63	'A' Group	67-4030	Saddle front fixing bolt	1
	'A' Group	42-4514	Battery carrier complete	1
64	A7, A10 Swinging Arm	42-4516	Battery strap (side) complete	1
	A7 Shooting Star	42-4503	Battery strap (side)	1
65	'A' Group	42-4502	Battery strap (top)	1
66	'A' Group	24-7343	Batterys strap bolt	2
67	'A' Group	42-9032	Saddle (as required)	1
67A	'A' Group	2-6537	Battery strap bolt washer	2
68	'A' Group	42-4505	Swivel pin (plain hole)	2
69	'A' Group	42-4506	Swivel pin (tapped hole)	2
70	'A' Group	42-4503	Battery strap (side)	1
71	'A' Group	2-49	Saddle rear fixing stud nut	4
72	'A' Group	2-923	Saddle rear fixing stud washer (plain)	4
73	'A' Group	67-4040	Saddle rear fixing stud	2
73A	'A' Group	42-4309	Frame complete with fixed fittings (1955 models)	1
74	'A' Group	29-7561	Pillion footrest complete	2
75	'A' Group	29-7564	Pillion footrest swivel bolt	2
76	'A' Group	29-7560	Pillion footrest anchor bolt	2
77	'A' Group	36-382	Pillion footrest swivel bolt washer (shakeproof)	2
78	'A' Group	24-6040	Pillion footrest swivel bolt nut	2
79	'A' Group	2-522	Pillion footrest anchor bolt washer (spring)	2
80	'A' Group	2-46	Pillion footrest anchor bolt nut	2
	'A' Group	42-4769	Prop stand assembly (fitted after Frame No. CA7-2735)	1
81	'A' Group	67-4907	Prop stand pivot pin	1
82	'A' Group	28-2338	Prop stand lug clip bolt	2
83	'A' Group	42-4772	Prop stand leg complete	1
84	'A' Group	36-382	Prop stand lug clip bolt washer (shakeproof)	2
85	'A' Group	42-4776	Prop stand lug body complete	1
86	'A' Group	2-1945	Prop stand pivot pin washer (plain)	1
87	'A' Group	35-710	Prop stand pivot pin split pin	1
88	'A' Group	65-4742	Prop stand spring	1
89	'A' Group	29-7581	Pillion footrest (less rubber) (1955 models)	2
90	'A' Group	29-7583	Pillion footrest rubber (1955 models)	2

Plate 8 FRAME AND FITTINGS 'A' GROUP (SWINGING ARM FRAME)

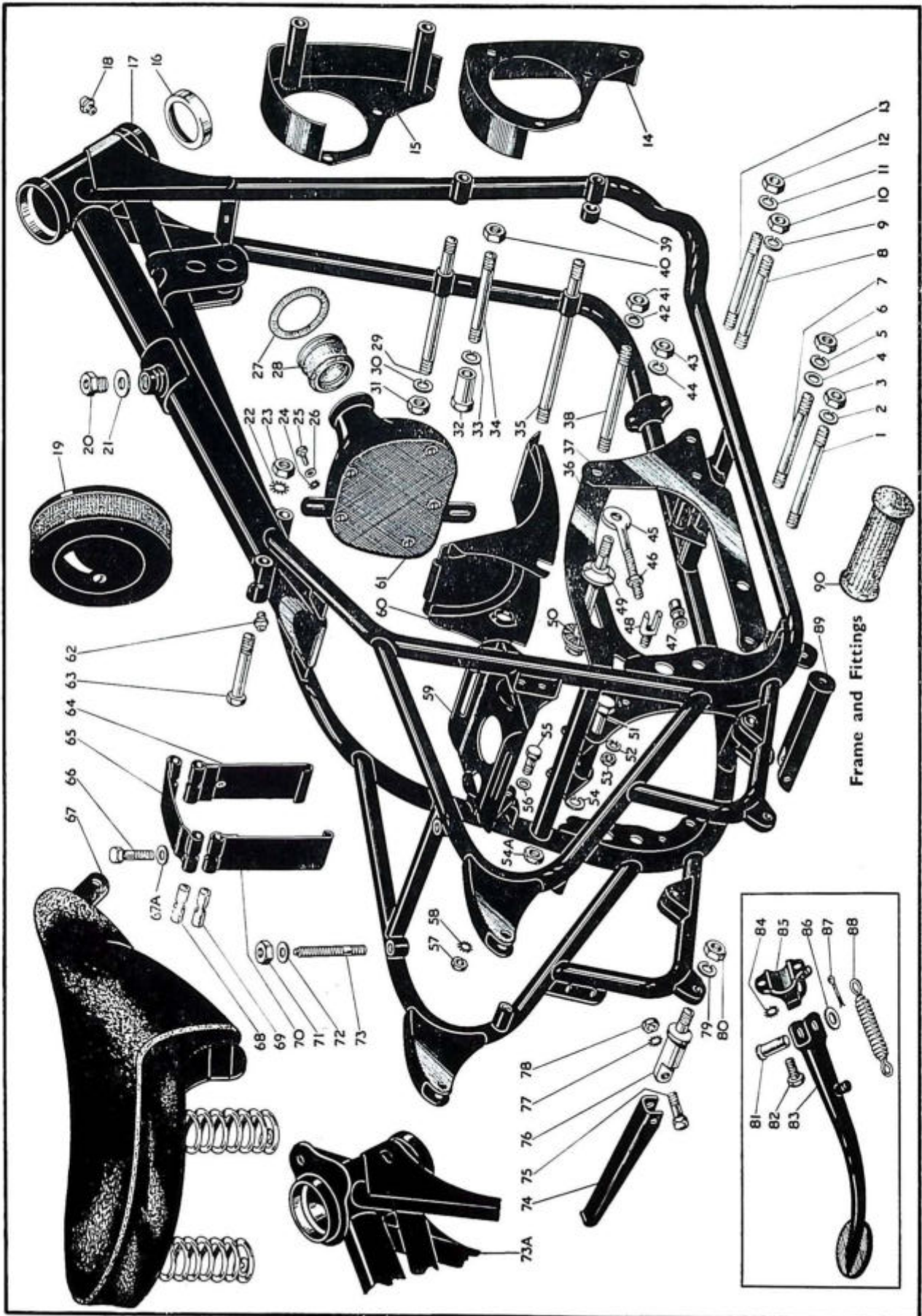


Plate 9

REAR SUSPENSION
'A' GROUP (SWINGING ARM FRAME)

Plate Ref. Number	Model	Part No.	Description	Number per set
1	'A' Group	42-4725	Central stand complete	1
2	'A' Group	28-2080	Central stand grease nipple	1
3	'A' Group	65-4727	Central stand spring	1
4	'A' Group	42-4713	Central stand distance tube	1
5	'A' Group	42-4714	Central stand pivot stud	1
6	'A' Group	2-1945	Central stand pivot stud washer (plain)	1
7	'A' Group	2-1967	Central stand pivot stud washer (spring)	1
8	'A' Group	24-5860	Central stand pivot stud nut	2
9	'A' Group	42-4806	Footrest distance tube complete (offside)	1
10	'A' Group	42-4804	Footrest bracket (offside)	1
11	'A' Group	42-4808	Footrest stud complete	1
12	'A' Group	29-7551	Footrest rubber	2
13	'A' Group	42-4116	Swinging arm fork spindle locknut	1
14	'A' Group	42-4117	Swinging arm fork spindle washer	1
15	'A' Group	1-1796	Rear mudguard bracket and damper top fixing bolt nut	2
16	'A' Group	2-522	Rear mudguard bracket and damper top fixing bolt washer (spring)	2
17	'A' Group	42-6763	Rear mudguard bracket and damper spacing collar	2
18	'A' Group	2-1733	Rear mudguard bracket and damper top fixing bolt washer (plain)	2
19	'A' Group	65-4185	Rear mudguard bracket and damper top fixing bolt	2
20	'A' Group	42-4294	Rear suspension damper spring	2
	'A' Group	42-4299	Rear suspension damper spring (110 lbs. rate) (1955 models)	2
	'A' Group	42-4302	Rear suspension damper spring (130 lbs. rate) (1955 models)	2
21	'A' Group	42-4289	Rear suspension split ring retainer (retaining outer shroud) (2 halves)	2
22	'A' Group	42-4291	Rear suspension outer shroud	2
23	'A' Group	66-2010	Swinging arm fork spindle securing bolt	1
24	'A' Group	36-382	Swinging arm fork spindle securing bolt washer (shakeproof)	1
25	'A' Group	42-4286	Rear suspension damper complete	2
	'A' Group	42-4297	Rear suspension damper complete (110 lbs. rate) (1955 models)	2
	'A' Group	42-4300	Rear suspension damper complete (130 lbs. rate) (1955 models)	2
26	'A' Group	42-4112	Swinging arm fork spindle complete	1
27	'A' Group	42-4115	Swinging arm housing 'silent bloc'	2
28	'A' Group	42-4292	Rear suspension inner shroud	2
29	'A' Group	3-1399	Rear suspension damper bottom fixing bolt	2
30	'A' Group	2-1733	Rear suspension damper bottom fixing bolt washer (plain)	2
31	'A' Group	42-4155	Rear suspension mounting bush (rubber)	4
32	'A' Group	42-4102	Swinging arm complete	1
33	'A' Group	67-4129	Rear suspension damper bottom fixing bolt washer	2
34	'A' Group	66-4707	Rear suspension damper bottom fixing bolt washer (shakeproof)	2
35	'A' Group	2-46	Rear suspension damper bottom fixing bolt nut	2
36	'A' Group	24-563	Rear wheel adjusting screw locknut	2
37	'A' Group	42-6040	Rear wheel adjusting screw	2
38	'A' Group	15-5753	Footrest stud securing nut	1
39	'A' Group	65-695	Footrest stud washer	1
40	'A' Group	24-5914	Footrest stud washer	2
41	'A' Group	42-4805	Footrest bracket (nearside)	1
42	'A' Group	65-4811	Footrest distance tube complete (nearside)	1

Plate 9

REAR SUSPENSION 'A' GROUP (SWINGING ARM FRAME)

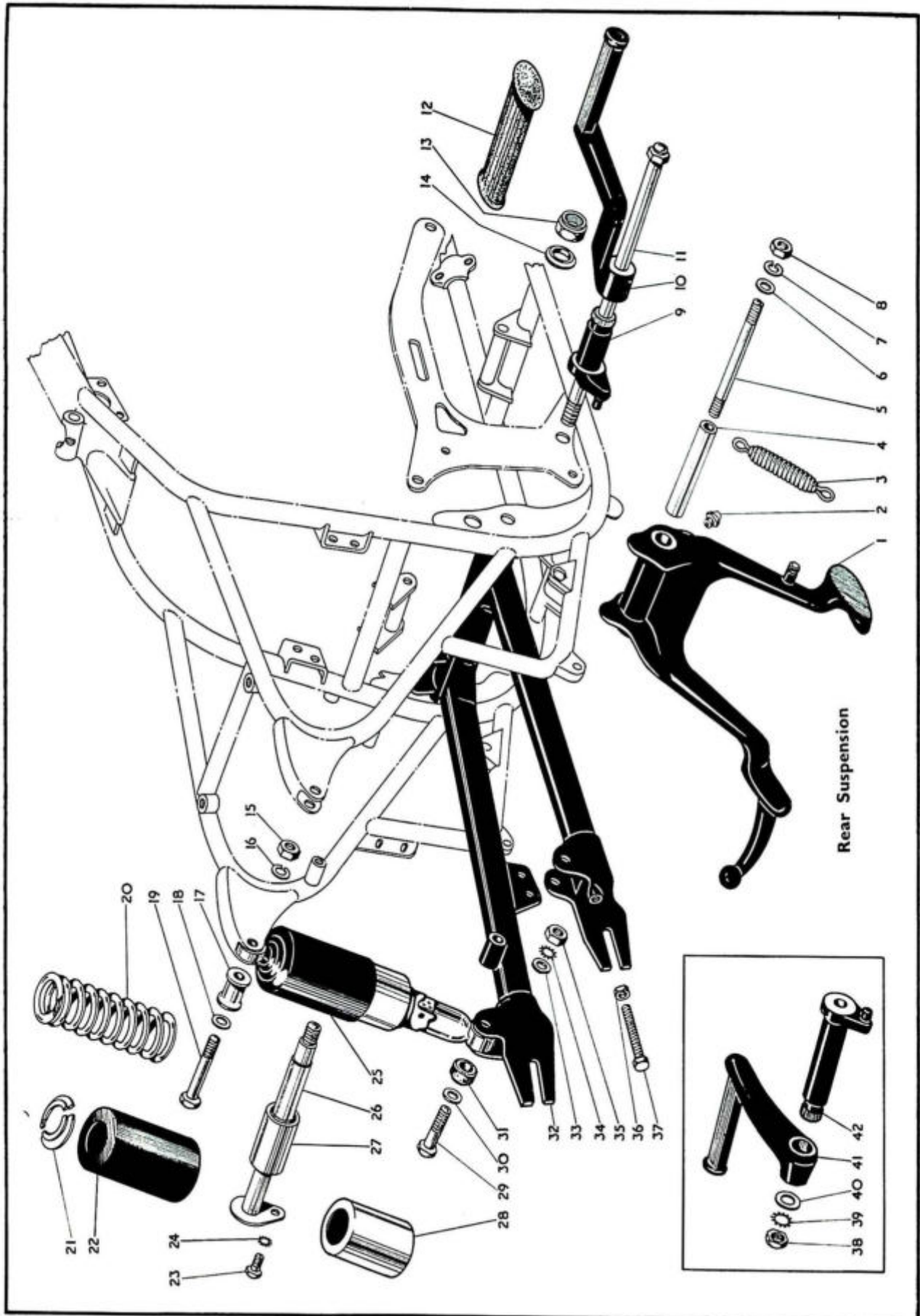


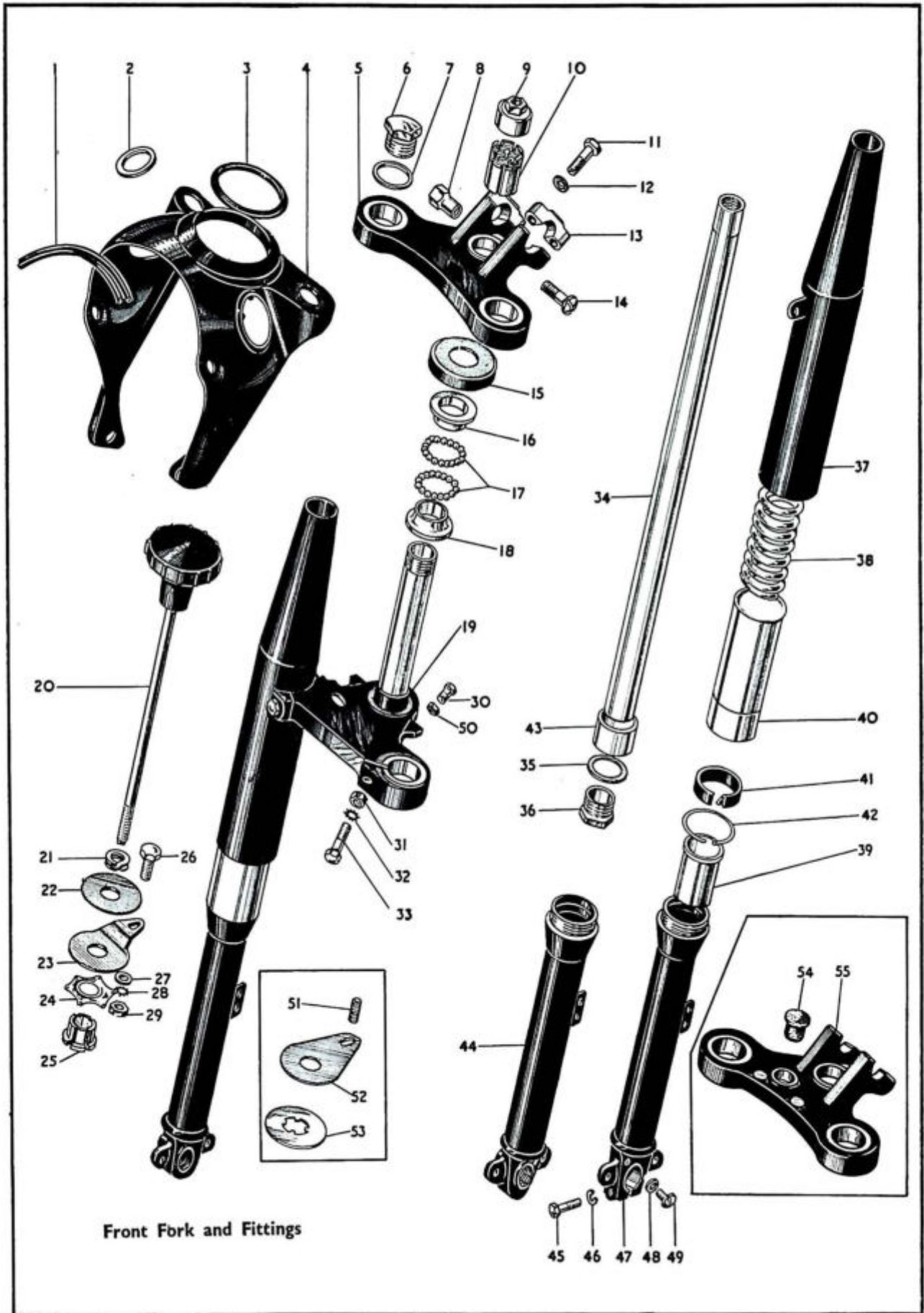
Plate 10

FRONT FORKS AND FITTINGS
'A' GROUP (PLUNGER AND SWINGING ARM FRAMES)

Plate Ref. Number	Model	Part No.	Description	Number per set
..	'A' Group Plunger Frame	67-5077	Front forks assembled complete	1
..	'A' Group Swinging Arm	42-5005	Front forks assembled complete	1
..	'A' Group Plunger	67-5103	Front forks assembled complete (1955 models)	1
..	'A' Group Swinging Arm	42-5033	Front forks assembled complete (1955 models)	1
1	'A' Group	67-5087	Headlamp cowl rubber extrusion	1
2	'A' Group	67-5080	Headlamp cowl fixing support washer	2
3	'A' Group	67-5088	Speedometer mounting rubber	1
4	'A' Group	67-5084	Headlamp cowl	1
5	'A' Group Plunger	65-5430	Front fork top yoke	1
..	'A' Group Swinging Arm	42-5010	Front fork top yoke	1
6	'A' Group	65-5331	Front fork tube nut	2
7	'A' Group	65-5332	Front fork tube nut washer	2
8	A10 Plunger	66-5097	Front fork top yoke clip bolt nut	1
..	A7 and Star Twin Plunger	29-5315	Front fork top yoke clip bolt nut	1
..	'A' Group Swinging Arm
9	'A' Group	67-5024	Steering stem adjusting sleeve cap	1
10	'A' Group	67-5023	Steering stem adjusting sleeve	1
11	'A' Group	65-5334	Handlebar and yoke clip bolt	4
12	'A' Group	15-5155	Handlebar and yoke clip bolt washer	4
13	'A' Group	65-5333	Handlebar clip	2
14	'A' Group	27-5135	Front fork top yoke clip bolt	1
15	'A' Group	66-5204	Steering head dust cap	1
16	'A' Group	65-5126	Steering head ballrace cone (top)	1
17	'A' Group	1/4" diam.	Steering head balls	40
18	'A' Group	65-5127	Steering head ballrace cone (bottom)	1
19	'A' Group Plunger	66-5089	Front fork bottom yoke	1
..	A7, A10 Swinging Arm	42-5012	Front fork bottom yoke	1
..	A7 Shooting Star	42-5015	Front fork bottom yoke	1
20	'A' Group	67-5021	Steering damper adjuster rod	1
21	'A' Group	24-6035	Steering damper knob washer (spring)	1
22	'A' Group	65-5380	Steering damper friction washer	1
23	'A' Group Swinging Arm	42-5014	Steering damper anchor plate	1
24	'A' Group	25-5247	Steering damper star washer	1
25	'A' Group	65-5328	Steering damper centre	1
26	'A' Group Swinging Arm	28-2338	Steering damper anchor plate bolt	1
27	'A' Group	2-923	Steering damper anchor plate bolt washer (plain)	1
28	'A' Group	36-382	Steering damper anchor plate bolt lockwasher	1
29	'A' Group	2-49	Steering damper anchor plate bolt nut	1
30	A7 Shooting Star	2-220	Steering stop lock bolt	2
31	'A' Group	24-5160	Bottom yoke bolt nut	2
32	'A' Group	36-382	Bottom yoke bolt washer	2
33	'A' Group	65-5435	Bottom yoke bolt	2
34	'A' Group	89-5061	Front fork shaft	2
35	'A' Group	29-5338	Front fork shaft plug washer	2
36	'A' Group	29-5283	Front fork shaft plug	2
37	'A' Group	67-5009	Front fork outer sleeve	2
38	'A' Group Plunger	89-5036	Front fork spring (solo)	2
..	'A' Group Swinging Arm	65-5390	Front fork spring (solo)	2
..	'A' Group	65-5391	Front fork spring (sidecar)	2
39	'A' Group	65-5424	Front fork top bearing	2
40	'A' Group	29-5310	Front fork oil seal holder complete	2
41	'A' Group	29-5313	Front fork oil seal	2
42	'A' Group	29-5320	Front fork top bearing circlip	2
43	'A' Group	29-5347	Front fork bottom bearing	2
44	'A' Group Plunger	67-5050	Front fork sliding tube complete (O/S)	1
..	'A' Group Swinging Arm	65-5420	Front fork sliding tube complete (O/S)	1
45	'A' Group	65-5295	Fork end bolt (N/S)	1
46	'A' Group	2-2903	Fork end bolt washer (spring)	1
47	'A' Group	67-5057	Fork sliding tube complete (N/S)	1
48	'A' Group	2-292	Fork end drain plug washer (fibre)	1
49	'A' Group	2-1309	Fork end drain plug	1
50	A7 Shooting Star	2-2395	Steering lock stop bolt nut	2
51	'A' Group Plunger	65-5327	Steering damper anchor plate stud	1
52	'A' Group Plunger	27-5152	Steering damper anchor plate	1
53	'A' Group Plunger	25-5241	Steering damper bottom plate	1
54	'A' Group	65-5449	Fork top yoke plug (rubber) (1955 models) (not adopted)	1
55	'A' Group Plunger	65-5448	Front fork top yoke (1955 models)	1
..	'A' Group Swinging Arm	42-5035	Front fork top yoke (1955 models)	1

Plate 10

FRONT FORK AND FITTINGS
'A' GROUP (PLUNGER AND SWINGING ARM FRAMES)



Front Fork and Fittings

Plate 11

FRONT HUB AND WHEEL FITTINGS
'A' GROUP (PLUNGER FRAME)

Plate Ref. Number	Model	Part No.	Description	Number per set
1	'A' Group	67-5542	Front wheel complete (less brake and tyre)	1
1	'A' Group	65-5883	Front hub ball journal	1
2	'A' Group	67-5565	Front hub spindle sleeve	1
3	'A' Group	67-5547	Front hub complete with spindle and bearings	1
4	'A' Group	67-5545	Front wheel spoke (long)	20
5	'A' Group	27-6810	Front wheel spoke nipple	40
6	'A' Group	65-5883	Front hub ball journal	1
7	'A' Group	67-5563	Hub bearing oil retaining washer (nearside)	1
8	'A' Group	67-5561	Hub bearing locking ring (nearside)	1
9	'A' Group	67-5566	Front hub spindle	1
10	'A' Group	35-701	Hub bearing locking ring retaining pin	1
11	'A' Group	15-5290	Front hub grease nipple	1
12	'A' Group	67-5544	Front wheel spoke (short)	20
13	'A' Group	35-701	Hub bearing locking ring retaining pin	1
14	'A' Group	67-5562	Hub bearing locking ring (offside)	1
15	'A' Group	67-5575	Brake shoe lining rivet	14
16	'A' Group	67-5576	Front brake fulcrum and adjusting pin	1
17	'A' Group	67-5571	Front brake shoe lining	2
18	'A' Group	67-5555	Front brake cover plate with fixed fittings	1
19	'A' Group	2-49	Front brake anchor strap bolt nut	2
20	'A' Group	36-382	Front brake anchor strap bolt washer (shakeproof)	2
21	'A' Group	67-5578	Front brake anchor strap	1
22	'A' Group	32-194	Front brake anchor strap bolt	2
23	'A' Group	15-716	Front brake cover plate and anchor strap washer	1
24	'A' Group	15-541	Front brake cover plate and anchor strap nut	1
25	'A' Group	2-2527	Front brake fulcrum and adjusting pin nut	1
26	'A' Group	35-37	Front brake fulcrum and adjusting pin washer (shakeproof)	1
27	'A' Group	25-6014	Front brake fulcrum and adjusting pin washer (plain)	1
28	'A' Group	2-440	Front brake shoe cam nut	1
29	'A' Group	66-4708	Front brake shoe cam washer (shakeproof)	1
30	'A' Group	65-5907	Front brake operating lever	1
30A	'A' Group	15-431	Front brake shoe cam washer (plain)	1
31	'A' Group	28-2080	Front brake fulcrum pin grease nipple	1
32	'A' Group	67-5572	Front brake shoe cam	1
33	'A' Group	65-5904	Front brake shoe spring	2
34	'A' Group	67-5558	Front brake shoe complete	2
35	'A' Group	67-5564	Hub bearing oil retaining washer (offside)	1
36	'A' Group	67-5543	Front wheel rim	1

Plate 12

REAR HUB AND WHEEL FITTINGS
'A' GROUP (PLUNGER FRAME)

Plate Ref. Number	Model	Part No.	Description	Number per set
1	A7	67-6012/41	Rear wheel complete (less brake and tyre)	1
1	A10	67-6012/43	Rear wheel complete (less brake and tyre)	1
1	A7 Star Twin	67-6012/42	Rear wheel complete (less brake and tyre)	1
2	'A' Group	2-440	Rear brake operating lever nut	1
3	'A' Group	66-4708	Rear brake operating lever washer	1
4	'A' Group	15-431	Rear brake operating lever washer (plain)	1
5	'A' Group	67-6053	Rear brake operating lever	1
6	'A' Group	67-6081	Brake lever steady strap	1
7	'A' Group	65-5674	Cam bearing oil hole clip	1
8	'A' Group	67-6180	Rear brake cover plate	1
9	'A' Group	65-5905	Rear brake cam	1
9	'A' Group	65-5901	Rear brake shoe complete	2
10	'A' Group	35-6436	Shoe lining rivet	14
11	'A' Group	65-5903	Brake shoe lining	2
12	'A' Group	67-6078	Hub collar (L/H)	1

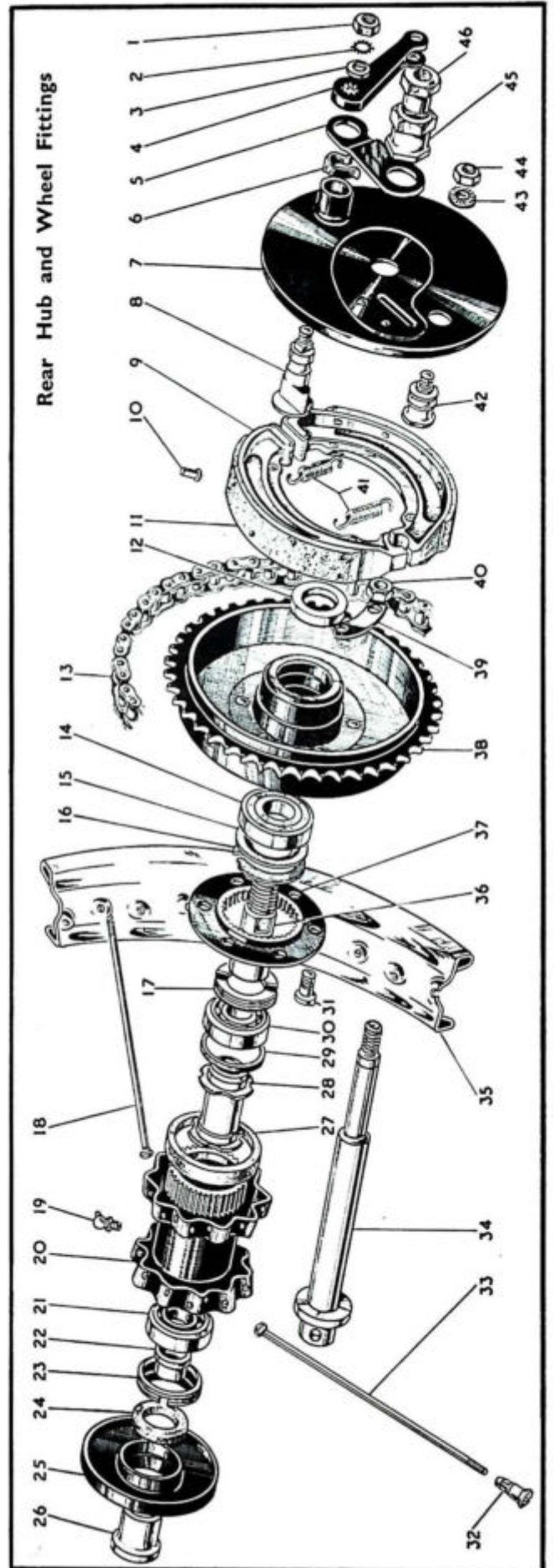
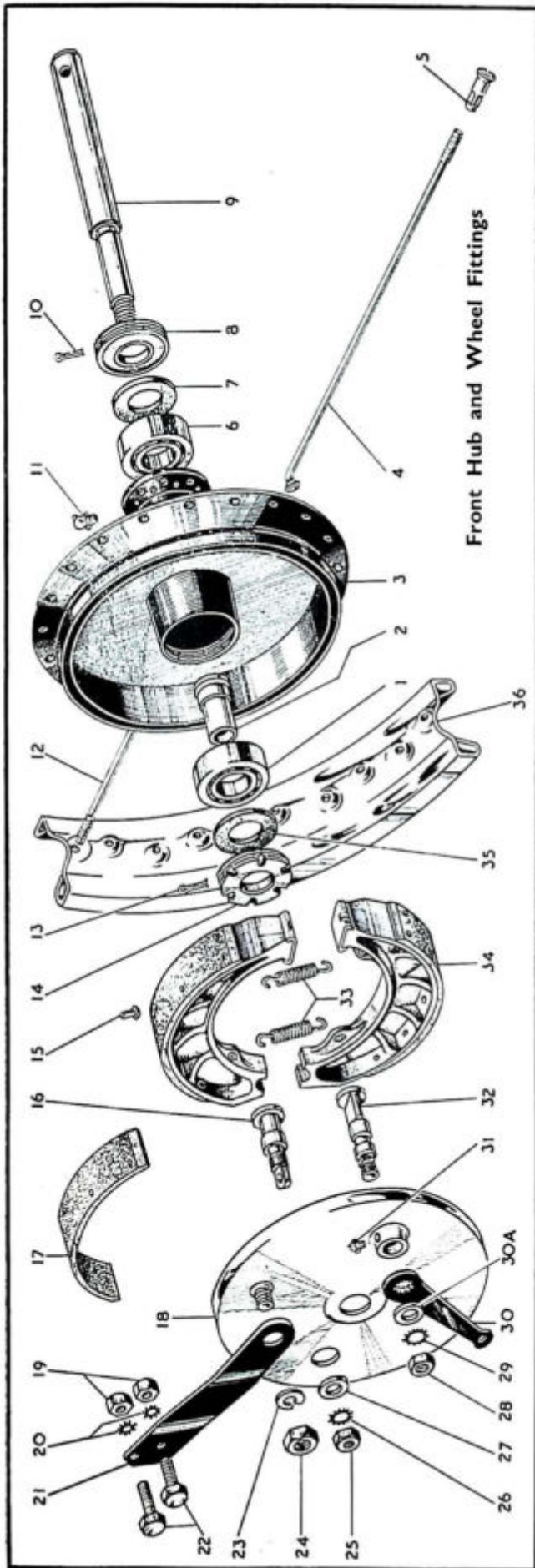


Plate 12—continued

**REAR HUB AND WHEEL FITTINGS
'A' GROUP (PLUNGER FRAME)**

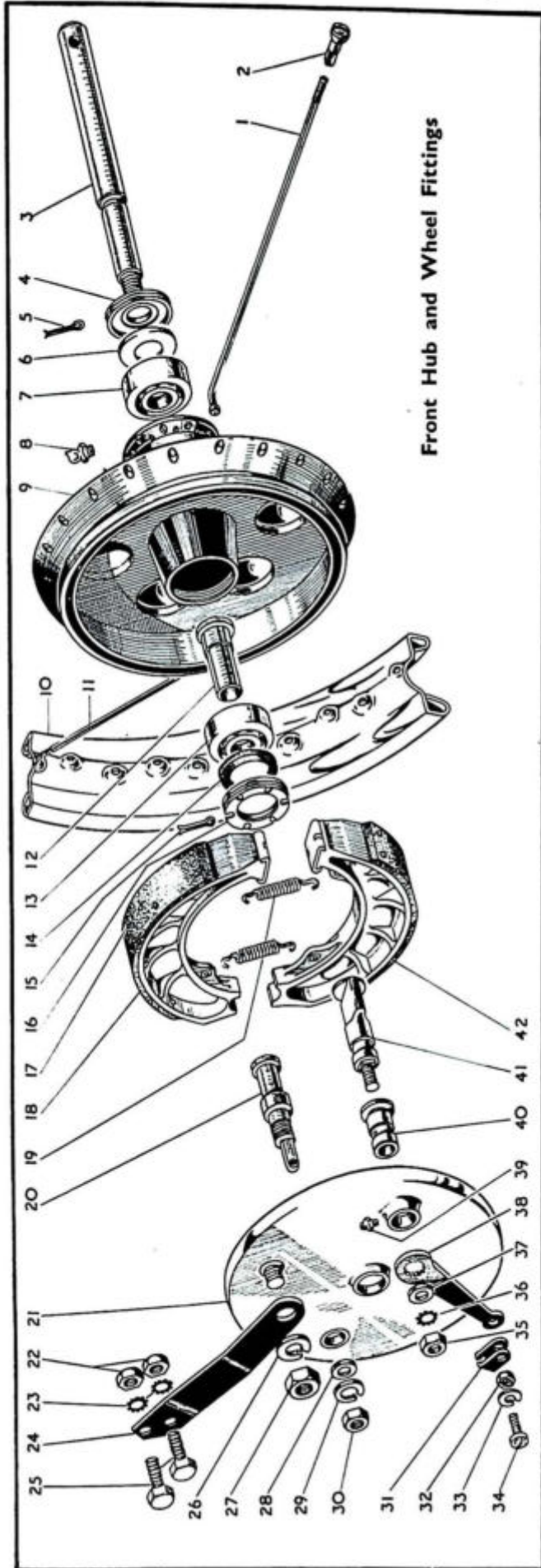
Plate Ref. Number	Model	Part No.	Description	Number per set
13	'A' Group	67-9045	Rear driving chain (sidecar)	1
	A7 and Star Twin	67-9041	Rear driving chain (solo)	1
	A10	67-9046	Rear driving chain (solo)	1
14	'A' Group	89-3022	Brake drum and chainwheel bearing	1
15	'A' Group	67-6072	Ball bearing shim	1
16	'A' Group	67-6067	Ball bearing retaining ring	1
17	'A' Group	67-6076	Bearing locking ring	1
18	'A' Group	67-6017	Wheel spooke (N/S)	20
19	'A' Group	15-5290	Hub grease nipple	1
20	'A' Group	67-6126	Hub shell complete with bearing	1
21	'A' Group	65-5883	Rear hub ball bearing	1
22	'A' Group	67-6077	Hub collar (R/H)	1
23	'A' Group	67-6076	Bearing locking ring	1
24	'A' Group	67-6075	Rear hub washer (felt)	1
25	'A' Group	67-6128	Rear hub shell cover	1
26	'A' Group	67-6066	Rear hub distance piece (R/H)	1
27	'A' Group	67-6051	Rear hub shell washer (rubber)	1
28	'A' Group	67-6061	Bearing distance tube and retainers	1
29	'A' Group	65-5884	Hub bearing thrust washer	1
30	'A' Group	65-5883	Rear hub ball bearing	1
31	'A' Group	67-6038	Brake drum securing bolt	6
32	'A' Group	27-6813	Rear wheel spoke nipple	40
33	'A' Group	67-6016	Wheel spoke (O/S)	20
34	'A' Group	67-6164	Rear hub spindle	1
35	A7	67-6005/41	Rear wheel rim	1
	A10	67-6005/43	Rear wheel rim	1
	A7 and Star Twin	67-6005/42	Rear wheel rim	1
36	'A' Group	67-6060	Rear hub bearing sleeve	1
37	'A' Group	67-6101	Driving flange	1
38	Star Twin	67-6154	Brake drum and chainwheel (solo)	1
	'A' Group	67-6124	Brake drum and chainwheel (sidecar)	1
	A7	67-6123	Brake drum and chainwheel (solo)	1
	A10	67-6150	Brake drum and chainwheel (solo)	1
39	'A' Group	67-6039	Brake drum securing bolt lock strip	3
40	'A' Group	3-720	Brake drum securing bolt nut	6
41	'A' Group	65-5904	Rear brake spring	2
42	'A' Group	65-5899	Rear brake fulcrum pin	1
43	'A' Group	24-8045	Rear brake fulcrum washer (serrated)	1
44	'A' Group	24-5860	Rear brake fulcrum pin nut	1
45	'A' Group	67-6074	Rear hub bearing sleeve nut	1
46	'A' Group	67-6073	Rear hub spindle nut	1

Plate 13

**FRONT HUB AND WHEEL FITTINGS
'A' GROUP (SWINGING ARM FRAME)**

Plate Ref. Number	Model	Part No.	Description	Number per set
1	'A' Group	67-5542	Front wheel complete (less brake and tyre)	1
	'A' Group	67-5544	Front wheel spoke (short)	20
2	'A' Group	27-6810	Front wheel spoke nipple	40
3	'A' Group	67-5566	Front hub spindle	1
4	'A' Group	67-5561	Front hub bearing locking ring (nearside)	1
5	'A' Group	35-701	Front hub bearing locking ring retaining pin	1
6	'A' Group	67-5563	Front hub bearing oil retaining washer (nearside)	1
7	'A' Group	65-5883	Front hub ball journal	1
8	'A' Group	15-5290	Front hub grease nipple	1
9	'A' Group	67-5547	Front hub shell complete (with spindle, sleeve and bearings) (less brake)	1
10	'A' Group	67-5543	Front wheel rim	1
11	'A' Group	67-5545	Front wheel spoke (long)	20
12	'A' Group	67-5565	Front hub spindle sleeve	1

**FRONT HUB AND WHEEL FITTINGS
'A' GROUP (SWINGING ARM FRAME)**



Front Hub and Wheel Fittings

**WHEN ORDERING WHEELS, HUBS OR WHEEL RIMS — PLEASE STATE
FINISH REQUIRED BY ADDING THE APPROPRIATE SUFFIX NUMBER
TO PART NUMBER**

Example:

FRONT WHEEL COMPLETE. CHROME RIM AND BEIGE HUB—67-8888/043

Plate 13—continued

**FRONT HUB AND WHEEL FITTINGS
'A' GROUP (SWINGING ARM FRAME)**

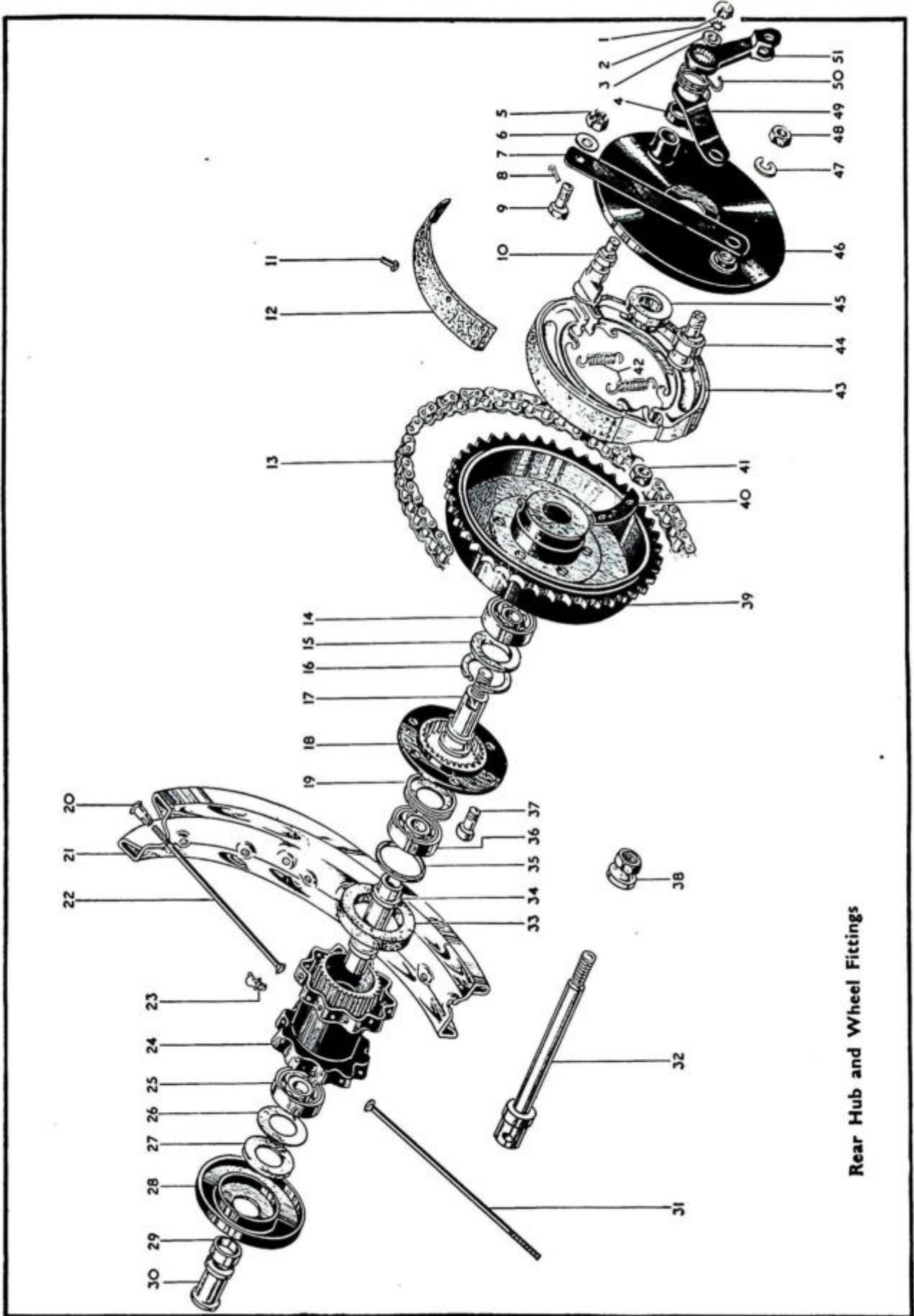
Plate Ref. Number	Model	Part No.	Description	Number per set
13 ..	'A' Group	65-5883	Front hub ball journal	1
14 ..	'A' Group	67-5564	Front hub bearing oil retaining washer (offside)	1
15 ..	'A' Group	35-701	Front hub bearing locking ring retaining pin	1
16 ..	'A' Group	67-5562	Front hub bearing locking ring (offside)	1
17 ..	'A' Group	67-5575	Front brake shoe lining rivet	14
18 ..	'A' Group	67-5571	Front brake shoe lining	2
19 ..	'A' Group	65-5904	Front brake shoe spring	2
20 ..	'A' Group	67-5576	Front brake fulcrum and adjusting pin	1
21 ..	'A' Group	67-5555	Front brake cover plate with fixed fittings	1
22 ..	'A' Group	2-49	Front brake anchor strap nut	2
23 ..	'A' Group	36-382	Front brake anchor strap nut washer	2
24 ..	'A' Group	67-5578	Front brake anchor strap	1
25 ..	'A' Group	32-194	Front brake anchor strap bolt	2
26 ..	'A' Group	15-716	Front brake cover plate and anchor strap washer (spring)	1
27 ..	'A' Group	15-541	Front brake cover plate and anchor strap nut	1
28 ..	'A' Group	25-6014	Front brake fulcrum and adjusting pin washer (plain)	1
29 ..	'A' Group	35-37	Front brake fulcrum and adjusting pin washer (spring)	1
30 ..	'A' Group	2-2527	Front brake fulcrum and adjusting pin nut	1
31 ..	'A' Group	29-5871	Front brake lever toggle	1
32 ..	'A' Group	2-443	Front brake lever toggle nut	1
33 ..	'A' Group	2-1462	Front brake lever toggle washer	1
34 ..	'A' Group	2-510	Front brake lever toggle screw	1
35 ..	'A' Group	2-440	Front brake shoe cam nut	1
36 ..	'A' Group	66-4708	Front brake shoe cam washer (shakeproof)	1
37 ..	'A' Group	15-431	Front brake shoe cam washer (plain)	1
38 ..	'A' Group	65-5907	Front brake operating lever	1
39 ..	'A' Group	28-2080	Front brake fulcrum pin grease nipple	1
40 ..	'A' Group	67-5567	Front brake cam bearing	1
41 ..	'A' Group	67-5572	Front brake shoe cam complete	1
42 ..	'A' Group	67-5558	Front brake shoe with lining	2

Plate 14

**REAR HUB AND WHEEL FITTINGS
'A' GROUP (SWINGING ARM FRAME)**

Plate Ref. Number	Model	Part No.	Description	Number per set
1 ..	'A' Group	67-6011	Rear wheel complete (less brake and tyre)	1
1 ..	'A' Group	2-440	Rear brake operating lever nut	1
2 ..	'A' Group	66-4708	Rear brake operating lever washer (shakeproof)	1
3 ..	'A' Group	15-431	Rear brake operating lever washer (plain)	1
4 ..	'A' Group	65-5674	Cam bearing oil hole clip	1
5 ..	'A' Group	21-431	Anchor strap bolt nut	1
6 ..	'A' Group	2-130	Anchor strap bolt washer (plain)	1
7 ..	'A' Group	42-6036	Rear brake anchor strap	1
8 ..	'A' Group	35-698	Anchor strap bolt split pin	1
9 ..	'A' Group	42-6037	Rear brake anchor strap bolt	1
10 ..	'A' Group	42-6034	Rear brake cam	1
11 ..	'A' Group	35-6436	Brake shoe lining rivet	14
12 ..	'A' Group	65-5903	Brake shoe lining	2
13 ..	'A' Group	42-9033	Transmission chain (rear)	1
14 ..	'A' Group	65-5883	Rear hub ball bearing	1
15 ..	'A' Group	67-6033	Hub ball journal shim	1
16 ..	'A' Group	67-6034	Retaining spring ring	1
17 ..	'A' Group	67-6030	Rear brake drum bearing sleeve	1
18 ..	'A' Group	67-6101	Driving flange	1
19 ..	'A' Group	65-5885	Hub ballrace retaining ring	1
20 ..	'A' Group	27-6810	Spoke nipples	40
21 ..	'A' Group	67-6005	Rear wheel rim	1
22 ..	'A' Group	67-6017	Rear wheel spoke (nearside)	20
23 ..	'A' Group	15-5290	Rear hub grease nipple	1
24 ..	'A' Group	67-6136	Rear hub shell complete with bearings	1

Plate 14 REAR HUB AND WHEEL FITTINGS—'A' GROUP (SWINGING ARM FRAME)



Rear Hub and Wheel Fittings

Plate 14—continued

**REAR HUB AND WHEEL FITTINGS
'A' GROUP (SWINGING ARM FRAME)**

Plate Ref. Number	Model	Part No.	Description	Number per set
25	'A' Group	65-5883	Rear hub ball bearing	1
26	'A' Group	65-5887	Felt washer retaining ring	1
27	'A' Group	65-5886	Rear hub felt washer	1
28	'A' Group	67-6133	End cover	1
29	'A' Group	65-5890	Hub spindle distance collar	1
30	'A' Group	67-6028	Hub spindle distance sleeve	1
31	'A' Group	67-6016	Rear wheel spoke (offside)	20
32	'A' Group	67-6161	Rear hub spindle	1
33	'A' Group	67-6051	Hub shell washer (rubber)	1
34	'A' Group	67-6027	Hub spindle sleeve	1
35	'A' Group	65-5884	Hub bearing thrust washer	1
36	'A' Group	65-5883	Rear hub ball bearing	1
37	'A' Group	67-6038	Brake drum securing bolt	6
38	'A' Group	67-6031	Rear hub spindle nut	1
39	'A' Group	67-6149	Rear brake drum and chainwheel (42T)	1
40	'A' Group	67-6039	Brake drum bolt locking strip	3
41	'A' Group	3-720	Rear wheel securing bolt nut	6
42	'A' Group	65-5904	Rear brake spring	2
43	'A' Group	65-5901	Rear brake shoe complete	2
44	'A' Group	42-6033	Rear brake fulcrum pin	1
45	'A' Group	67-6032	Rear hub collar	1
46	'A' Group	42-6030	Rear brake cover plate complete with fixed fittings	1
47	'A' Group	65-5111	Rear brake fulcrum pin washer (spring)	1
48	'A' Group	24-7000	Rear brake fulcrum pin nut	1
49	'A' Group	67-6046	Rear brake outrigger strap	1
50	'A' Group	42-6046	Rear brake pedal return spring	1
51	'A' Group	42-6045	Rear brake operating lever	1

Plate 15

**MUDGUARDS, OIL TANK, TOOL BOX AND CHAINGUARD
'A' GROUP (PLUNGER FRAME)**

Plate Ref. Number	Model	Part No.	Description	Number per set
1	'A' Group	24-8784	Chainguard to crankcase fixing bolt washer (spring)	1
2	'A' Group	21-2880	Chainguard to crankcase fixing bolt	1
3	'A' Group	65-8422	Oil return pipe connection ferrule	1
4	'A' Group	65-2060	Oil return pipe connection (rubber)	1
5	'A' Group	65-8422	Oil return pipe connection ferrule	1
6	'A' Group	65-8420	Oil return pipe connection	1
7	'A' Group	65-8424	Oil return pipe nut	1
8	'A' Group	65-8421	Oil return pipe nut washer (fibre)	1
9	'A' Group	15-447	Front stand fixing bolt nut	2
10	A7 and A10	67-6530	Front stand complete	1
11	'A' Group	2-1934	Front stand fork end fixing bolt	2
12	'A' Group	24-8784	Front stand fork end fixing bolt washer (spring)	2
13	'A' Group	2-1616	Front stand fork end fixing bolt nut	2
14	'A' Group	2-2395	Front mudguard support bridge fixing bolt nut	2
15	'A' Group	2-1462	Front mudguard support bridge fixing bolt washer (spring)	2
16	'A' Group	2-1462	Front mudguard stay fixing bolt washer (spring)	2
17	'A' Group	2-2395	Front mudguard stay fixing bolt nut	2
18	A7, A10	67-6546	Front mudguard bridge stay insulator	2
19	'A' Group	65-6606	Front mudguard support bridge	1
20	'A' Group	28-2338	Support bridge bottom fixing bolt	2
21	'A' Group	2-1616	Front mudguard stay fork end fixing bolt nut	2
22	'A' Group	24-8784	Front mudguard stay fork end fixing bolt washer (spring)	2
23	'A' Group	15-7354	Front mudguard stay fork end fixing bolt	2
24	A7 and A10	67-6544	Front mudguard stay	1
25	A7 and A10	67-6547	Front mudguard stay insulator	2
26	A7 and A10	67-6543	Front mudguard with fixed fittings	1
27	'A' Group	15-7161	Front mudguard fixing bolt	2

**MUDGUARDS, OIL TANK, TOOLBOX AND CHAINGUARD
'A' GROUP (PLUNGER FRAME)**

Mudguards, Oil Tank, Toolbox, Chainguard

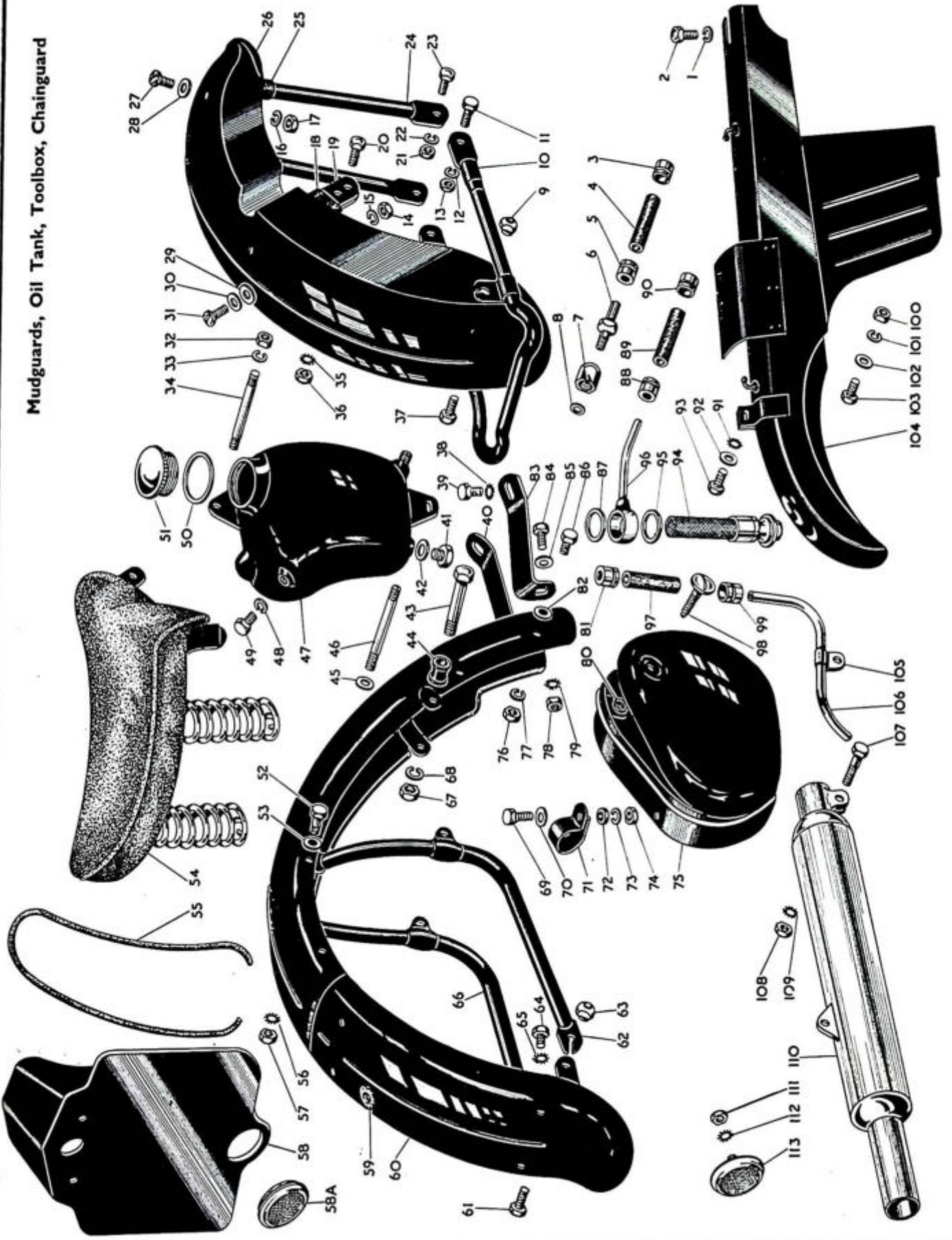


Plate 15—continued

MUDGUARDS, OIL TANK, TOOL BOX AND CHAINGUARD—'A' GROUP (PLUNGER FRAME)

Plate Ref. Number	Model	Part No.	Description	Number per set
28	'A' Group	27-8560	Front mudguard fixing bolt washer (plain)	2
29	'A' Group	66-7518	Front mudguard support bridge fixing bolt washer (fibre)	2
30	'A' Group	27-8560	Front mudguard support bridge fixing bolt washer	2
31	'A' Group	15-7161	Front mudguard support bridge fixing bolt	2
32	'A' Group	2-49	Oil tank and air cleaner fixing stud nut	4
33	'A' Group	24-8784	Oil tank and air cleaner fixing stud washer (spring)	4
34	'A' Group	29-4100	Oil tank and air cleaner fixing stud (top)	1
35	'A' Group	36-382	Support bridge bottom fixing bolt washer (shakeproof)	4
36	'A' Group	2-49	Support bridge bottom fixing bolt nut	4
37	'A' Group	2-1354	Front stand fixing bolt	2
38	'A' Group	36-382	Mudguard chainstay bridge bolt washer (shakeproof)	2
39	'A' Group	67-8313	Mudguard chainstay bridge bolt	2
40	'A' Group	67-6766	Mudguard front bracket (nearside)	1
41	'A' Group	2-84	Oil tank drain plug	1
42	'A' Group	2-100	Oil tank drain plug washer	1
43	'A' Group	67-4030	Mudguard fixing bolt (seatstay)	2
44	'A' Group	67-6761	Mudguard fixing bolt (seatstay) spacing washer	2
45	'A' Group	2-923	Oil tank and air cleaner fixing stud washer	2
46	'A' Group	29-7670	Oil tank and air cleaner fixing stud (bottom)	1
47	'A' Group	67-8334	Oil tank with fixed fittings	1
48	'A' Group	24-8784	Oil tank fixing bolt washer (spring)	1
49	'A' Group	67-8313	Oil tank fixing bolt	1
50	'A' Group	67-42	Oil tank filler cap washer (fibre)	1
51	'A' Group	65-8500	Oil tank filler cap	1
52	'A' Group	24-6770	Mudguard support bracket stay bolt	2
53	'A' Group	2-923	Mudguard support bracket stay bolt washer	2
54	'A' Group	67-9054	Saddle	1
55	'A' Group	67-6851	Rear number plate rubber extrusion	1
56	'A' Group	36-382	Mudguard support bracket stay bolt washer (shakeproof)	2
57	'A' Group	2-49	Mudguard support bracket stay bolt nut	2
58	'A' Group	67-6830	Rear number plate complete	1
	'A' Group	67-6830	Rear number plate complete (1955 models) (with hole to suit screw-on type reflector)	1
58A	'A' Group	67-9067	Rear reflector	1
59	'A' Group	67-6839	Rear mudguard tail lamp wiring grommet	2
60	'A' Group	67-6841	Rear mudguard with fixed fittings	1
61	'A' Group	2-1354	Mudguard support bolt (bottom)	2
62	'A' Group	67-6772	Mudguard support complete (offside)	1
63	'A' Group	15-447	Mudguard support bolt nut (bottom)	2
64	'A' Group	2-220	Rear number plate fixing bolt	4
65	'A' Group	29-541	Rear number plate fixing bolt washer (shakeproof)	4
66	'A' Group	67-6774	Mudguard support complete (nearside)	1
67	'A' Group	2-449	Mudguard fixing bolt (seatstay) nut	2
68	'A' Group	2-522	Mudguard fixing bolt (seatstay) washer (spring)	2
69	'A' Group	15-4207	Toolbox fixing clip bolt	1
70	'A' Group	27-8560	Toolbox fixing clip bolt washer	1
71	'A' Group	24-8927	Toolbox fixing clip	1
72	'A' Group	2-6537	Toolbox fixing clip distance washer	1
73	'A' Group	2-1462	Toolbox fixing clip bolt washer (spring)	1
74	'A' Group	67-1710	Toolbox fixing clip bolt nut	1
75	'A' Group	67-9002	Toolbox complete	1
76	'A' Group	2-2395	Toolbox to mudguard fixing bolt nut	2
77	'A' Group	2-1462	Toolbox to mudguard fixing bolt washer (spring)	2
78	'A' Group	2-49	Mudguard front bracket fixing bolt nut	2
79	'A' Group	36-382	Mudguard front bracket fixing bolt washer (shakeproof)	2
80	'A' Group	2-1027	Toolbox lid fixing screw nut	1
81	'A' Group	65-8422	Oil breather pipe connection ferrule	1
82	'A' Group	27-8560	Toolbox to mudguard fixing bolt washer	2
83	'A' Group	67-6767	Mudguard front bracket (offside)	1
84	'A' Group	1-5069	Mudguard front bracket fixing bolt	2
85	'A' Group	2-923	Mudguard front bracket fixing bolt washer	2
86	'A' Group	2-204	Toolbox to mudguard fixing bolt	2
87	'A' Group	29-7971	Oil feed banjo washer (fibre)	1
88	'A' Group	65-8422	Oil feed pipe connection ferrule	1
89	'A' Group	65-2060	Oil feed pipe connection (rubber)	1
90	'A' Group	65-8422	Oil feed pipe connection ferrule	1
91	'A' Group	36-382	Chainguard rear fixing bolt washer (shakeproof)	1
92	'A' Group	2-923	Chainguard rear fixing bolt washer (plain)	1
93	'A' Group	1-5069	Chainguard rear fixing bolt	1
94	'A' Group	29-7962	Oil tank filter complete	1

Plate 15—continued MUDGUARDS, OIL TANK, TOOL BOX AND CHAINGUARD—'A' GROUP (PLUNGER FRAME)

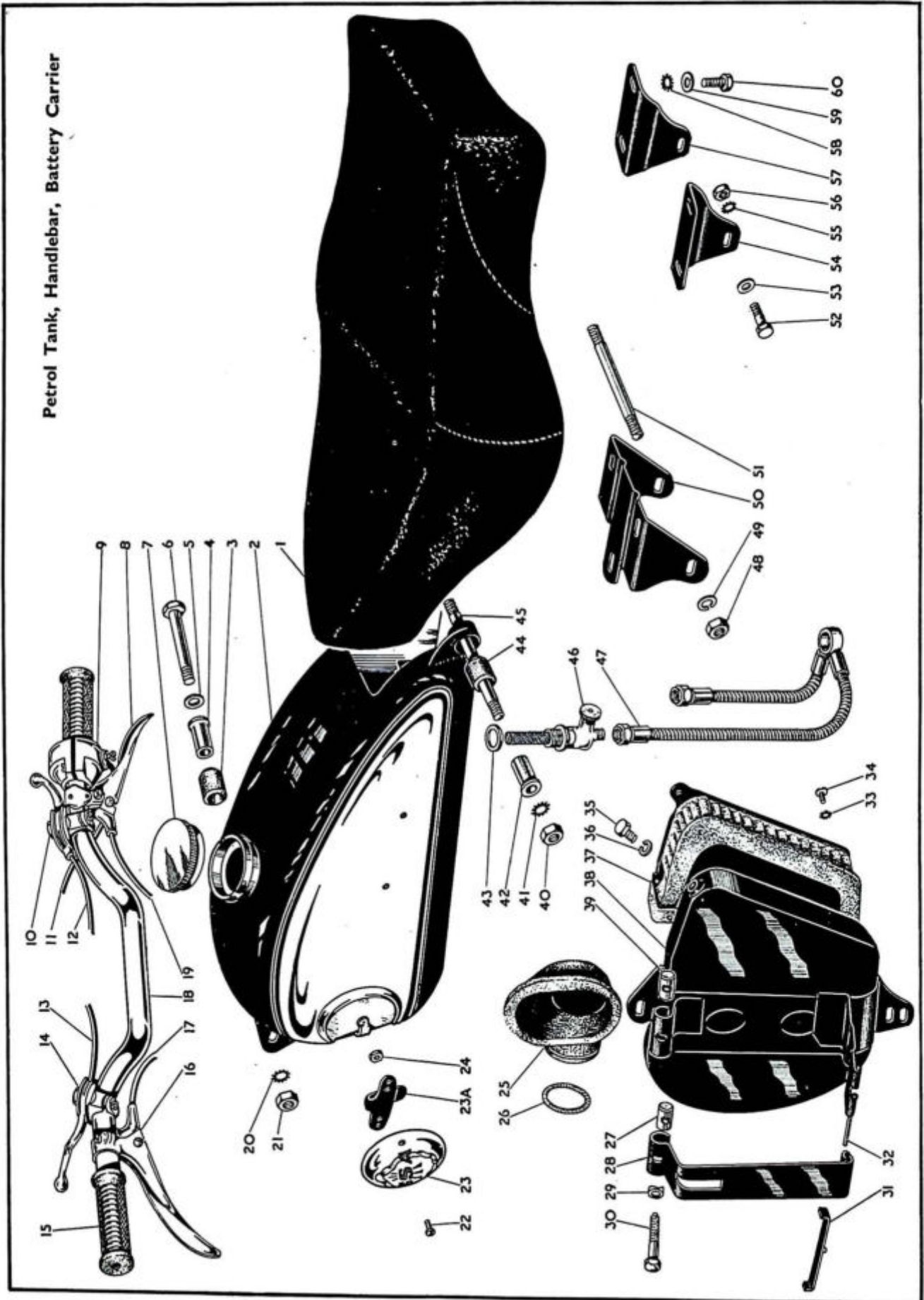
Plate Ref. Number	Model	Part No.	Description	Number per set
95	'A' Group	29-7971	Oil feed banjo washer (fibre)	1
96	'A' Group	67-8309	Oil feed pipe complete	1
97	'A' Group	65-2060	Oil breather pipe connection (rubber)	1
98	'A' Group	29-9132	Toolbox lid fixing screw complete	1
99	'A' Group	65-8422	Oil breather pipe connection ferrule	1
100	'A' Group	2-2395	Chainguard bottom clip bolt nut	1
101	'A' Group	2-1462	Chainguard bottom clip bolt washer (spring)	1
102	'A' Group	27-8560	Chainguard bottom clip bolt washer (plain)	1
103	'A' Group	2-204	Chainguard bottom clip bolt	1
104	'A' Group	67-7778	Rear chainguard with fixed fittings	1
105	'A' Group	67-8326	Oil tank breather pipe support clip	1
106	'A' Group	67-8324	Oil tank breather pipe extension	1
107	'A' Group	24-7343	Silencer inlet tube clip bolt	2
108	'A' Group	2-2395	Silencer inlet tube clip bolt nut	2
109	'A' Group	29-541	Silencer inlet tube clip bolt washer (shakeproof)	2
110	'A' Group	67-2711	Silencer complete	2
111	'A' Group	21-5102	Rear number plate reflector nut (1955 models)	1
112	'A' Group	29-541	Rear number plate reflector washer (shakeproof) (1955 models)	1
113	'A' Group	67-9069	Rear reflector (1955 models)	1

Plate 16 DUAL SEAT, PETROL TANK, HANDLEBAR AND BATTERY CARRIER—'A' GROUP (PLUNGER FRAME)

Plate Ref. Number	Model	Part No.	Description	Number per set
1	'A' Group	67-9087	Dual seat complete	1
2	A7	67-8126	Petrol tank	1
	Star Twin	67-8104	Petrol tank	1
3	'A' Group	67-8108	Petrol tank front mounting tube bush (rubber)	2
4	'A' Group	67-8109	Petrol tank front mounting tube	2
5	'A' Group	27-5676	Petrol tank front fixing bolt washer	2
6	A7 and Star Twin	65-8326	Petrol tank front fixing bolt	1
7	'A' Group	29-7898	Petrol tank filler cap	1
8	'A' Group	29-8810	Front brake control complete (less cable and cover)	1
9	'A' Group	65-8501	Throttle twist grip	1
10	'A' Group	66-8896	Air control complete (less cable and cover)	1
11	A7 and Star Twin	67-8521	Throttle cable and cover complete	1
	A10	67-8595	Throttle cable and cover complete	1
12	A7 and Star Twin	67-8555	Air control cable and cover complete	1
	A10	67-8592	Air control cable and cover complete	1
13	Star Twin	65-8714	Ignition control cable and cover complete (for use with manual control magneto)	1
14	Star Twin	66-8810	Ignition control lever complete (for use with manual control magneto)	1
15	'A' Group	65-8502	Dummy grip (left hand)	1
16	'A' Group	29-8820	Clutch control complete (less cable and cover)	1
17	'A' Group	67-8681	Clutch control cable and cover complete	1
18	'A' Group	65-4960	Handlebar complete (less controls)	1
19	A7 and Star Twin	65-8675	Front brake cable and cover complete	1
	A10	67-8610	Front brake cable and cover complete	1
20	'A' Group	66-4707	Petrol tank front fixing bolt washer (shakeproof)	1
21	'A' Group	2-46	Petrol tank front fixing bolt nut	1
22	A7 and A10	65-8317	Petrol tank badge screw	4
23	A7	65-8220	Petrol tank badge complete	2
23A	A7	42-8020	Petrol tank badge clip	2
24	A7	42-8034	Petrol tank badge screw nut	4
25	A7 and Star Twin	67-4596	Air cleaner and carburettor connection (rubber)	1
26	'A' Group	67-4588	Air cleaner and carburettor connection spring clip	1
27	'A' Group	65-2352	Battery carrier swivel block (plain)	1

**DUAL SEAT, PETROL TANK, HANDLEBAR AND BATTERY CARRIER
'A' GROUP (PLUNGER FRAME)**

Petrol Tank, Handlebar, Battery Carrier



**Plate 16—continued DUAL SEAT, PETROL TANK, HANDLEBAR
AND BATTERY CARRIER—'A' GROUP (PLUNGER FRAME)**

Plate Ref. Number	Model	Part No.	Description	Number per set
28	'A' Group	29-4657	Battery carrier strap	1
29	'A' Group	29-4662	Battery strap bolt saddle washer	1
30	'A' Group	29-4661	Battery strap bolt	1
31	'A' Group	29-4665	Battery locating strip complete	1
32	'A' Group	29-4664	Battery carrier hinge pin	1
33	'A' Group	29-3319	Air cleaner element fixing screw washer (shakeproof)	2
34	'A' Group	2-498	Air cleaner element fixing screw	3
35	'A' Group	67-8313	Air cleaner fixing screw	1
36	'A' Group	24-8784	Air cleaner fixing screw washer (spring)	1
37	'A' Group	67-4600	Air cleaner element	1
38	'A' Group	67-4594	Air cleaner and battery carrier complete (less element)	1
39	'A' Group	65-2353	Battery carrier swivel block (tapped)	1
40	'A' Group	2-46	Petrol tank rear support stud nut	2
41	'A' Group	66-4707	Petrol tank rear support stud washer (shakeproof)	2
42	'A' Group	67-8109	Petrol tank rear mounting tube	2
43	'A' Group	24-8504	Petrol tap washer (fibre)	2
44	'A' Group	67-8108	Petrol tank rear mounting tube bush (rubber)	2
45	'A' Group	67-8110	Petrol tank rear support stud	1
46	'A' Group	67-8092	Petrol tap	2
47	A7, and Star Twin A10	67-8087	Flexible petrol pipe complete	1
		67-8088	Flexible petrol pipe complete	1
48	'A' Group	15-541	Dual seat front support bracket fixing stud nut	2
49	'A' Group	15-716	Dual seat front support bracket fixing stud washer (spring)	2
50	'A' Group	67-9089	Dual seat front support bracket	1
51	'A' Group	67-9095	Dual seat front support fixing stud	1
52	'A' Group	27-6037	Dual seat rear support bracket and mudguard stay fixing bolt	2
53	'A' Group	2-923	Dual seat rear support bracket and mudguard stay fixing bolt washer	2
54	'A' Group	67-9094	Dual seat rear support bracket (nearside)	1
55	'A' Group	36-382	Dual seat rear support bracket and mudguard stay fixing bolt washer (shakeproof)	2
56	'A' Group	2-49	Dual seat rear support bracket and mudguard stay fixing bolt nut	2
57	'A' Group	67-9093	Dual seat rear support bracket (offside)	1
58	'A' Group	36-382	Dual seat fixing bolt washer (shakeproof)	7
59	'A' Group	2-923	Dual seat fixing bolt washer (plain)	7
60	'A' Group	2-129	Dual seat fixing bolt	7

**Plate 17 FRONT MUDGUARD, PETROL TANK AND BRAKE ROD
'A' GROUP (PLUNGER FRAME)**

Plate Ref. Number	Model	Part No.	Description	Number per set
1	A10	67-4589	Air cleaner and carburettor connection (rubber)	1
2	A10	67-8111	Petrol tank rear support stud distance collar	2
3	A10	67-8105	Petrol tank	1
4	A10	27-5690	Petrol tank rear support stud	1
5	A10	67-8085	Petrol tank stiffening plate	1
6	A10	36-382	Petrol tank stiffening plate stud washer (shakeproof)	2
7	A10	2-923	Petrol tank stiffening plate stud washer (plain)	2
8	A10	2-49	Petrol tank stiffening plate stud nut	2
9	'A' Group	2-79	Knee grip screw	4
10	'A' Group	65-8206	Knee grip (left hand)	1
	'A' Group	65-8205	Knee grip (right hand)	1
11	Star Twin	67-8116	Petrol tank badge	2
12	Star Twin	65-8201	Petrol tank badge screw	4
13	A10	67-8071	Petrol tank badge (nearside)	1
	A10	67-8070	Petrol tank badge (offside)	1
	A10	67-8076	Petrol tank front fixing bolt	1
15	Star Twin	65-6576	Front number plate complete	1

Plate 17

**FRONT MUDGUARD, PETROL TANK AND BRAKE ROD
'A' GROUP (PLUNGER FRAME)**

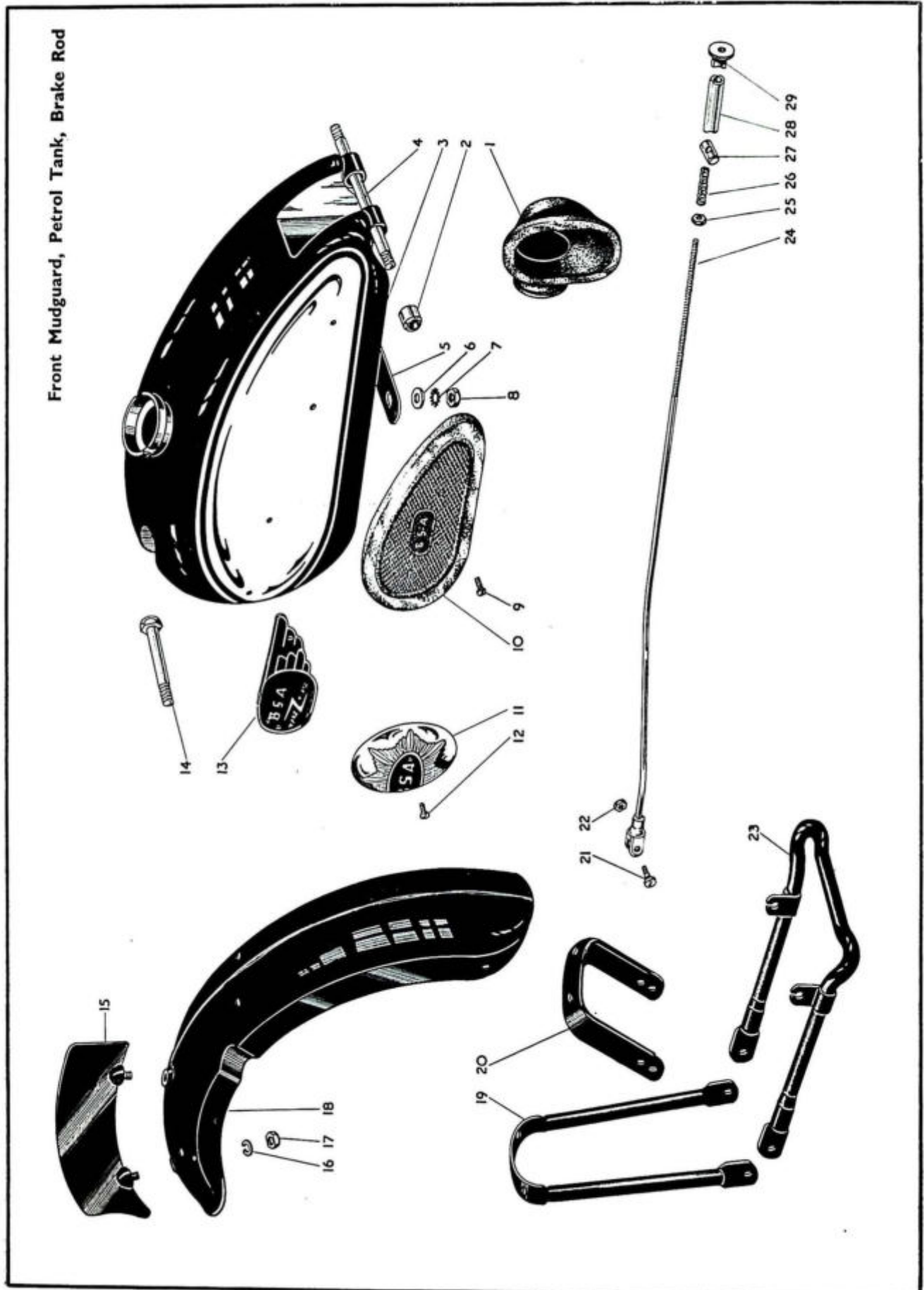


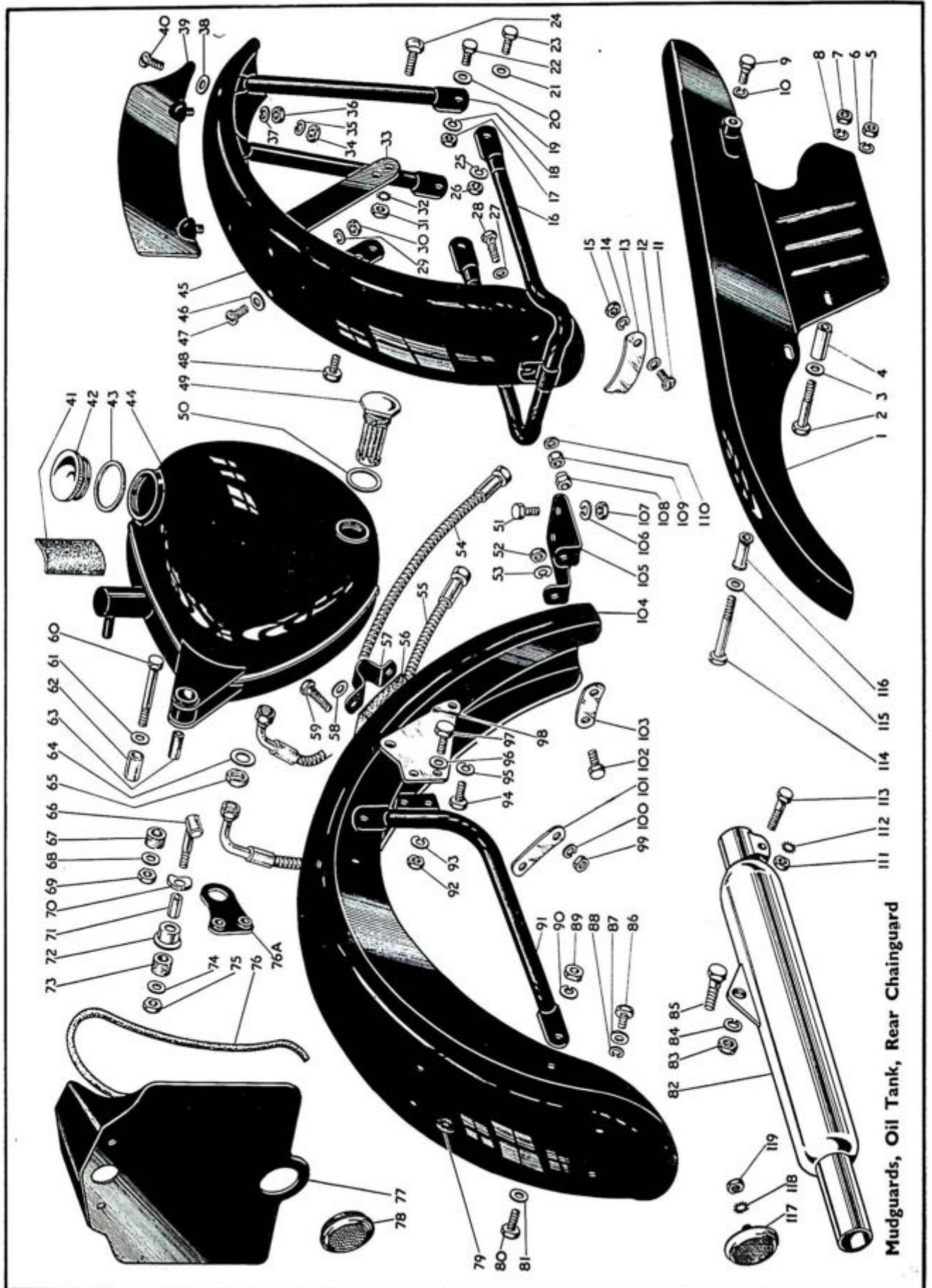
Plate 17—continued FRONT MUDGUARD, PETROL TANK AND BRAKE ROD—'A' GROUP (PLUNGER FRAME)

Plate Ref. Number	Model	Part No.	Description	Number per set
16	.. Star Twin 2-1462	.. Front number plate stud washer (spring) 2
17	.. Star Twin 2-2395	.. Front number plate stud nut 2
18	.. Star Twin 65-6605	.. Front mudguard with fixed fittings 1
19	.. Star Twin 65-6607	.. Front mudguard stay 1
20	.. Star Twin 65-6606	.. Front mudguard support bridge 1
21	.. 'A' Group 2-510	.. Rear brake rod toggle end screw 1
22	.. 'A' Group 2-443	.. Rear brake rod toggle end screw nut 1
23	.. Star Twin 65-6608	.. Front stand complete 1
24	.. 'A' Group 67-7033	.. Rear brake rod complete 1
25	.. 'A' Group 2-2395	.. Rear brake rod abutment nut 1
26	.. 'A' Group 15-1312	.. Rear brake rod spring 1
27	.. 'A' Group 65-6274	.. Rear brake rod swivel pin 1
28	.. 'A' Group 67-7031	.. Rear brake rod adjusting nut extension tube 1
29	.. 'A' Group 29-7368	.. Rear brake rod adjusting nut 1

Plate 18 MUDGUARDS, OIL TANK AND REAR CHAINGUARD 'A' GROUP (SWINGING ARM FRAME)

Plate Ref. Number	Model	Part No.	Description	Number per set
1	.. 'A' Group 42-7701	.. Rear chainguard complete 1
2	.. 'A' Group 65-292	.. Rear chainguard fixing bolt 1
3	.. 'A' Group 2-923	.. Rear chainguard fixing bolt washer (plain) 1
4	.. 'A' Group 30-1194	.. Rear chainguard distance piece 1
5	.. 'A' Group 2-49	.. Rear chainguard fixing bolt nut 1
6	.. 'A' Group 24-8784	.. Rear chainguard fixing bolt washer (spring) 1
7	.. 'A' Group 2-49	.. Rear chainguard long fixing bolt nut 1
8	.. 'A' Group 24-8784	.. Rear chainguard long fixing bolt washer (spring) 1
9	.. 'A' Group 2-353	.. Rear chainguard fixing bolt (short) 2
10	.. 'A' Group 24-8784	.. Rear chainguard short fixing bolt washer (spring) 2
11	.. A7 Shooting Star 24-7178	.. Front mudguard stiffener screw 2
12	.. A7 Shooting Star 2-2580	.. Front mudguard stiffener screw washer (plain) 2
13	.. A7 Shooting Star 67-6560	.. Front mudguard stiffener 1
14	.. A7 Shooting Star 2-1462	.. Front mudguard stiffener screw washer (spring) 2
15	.. A7 Shooting Star 2-2395	.. Front mudguard stiffener screw nut 2
16	.. A7 Shooting Star 67-6558	.. Front stand complete 1
17	.. 'A' Group 2-1616	.. Front mudguard stay fork end fixing bolt nut 2
18	.. 'A' Group 24-8784	.. Front mudguard stay fork end fixing bolt washer (spring) 2
19	.. A7 Shooting Star 67-6557	.. Front mudguard stay 1
20	.. 'A' Group 2-923	.. Front mudguard stay fork end fixing bolt washer (plain) 2
21	.. 'A' Group 2-923	.. Front stand fork end fixing bolt washer (plain) 2
22	.. 'A' Group 15-7354	.. Front mudguard stay fork end fixing bolt 2
23	.. 'A' Group 2-1934	.. Front stand fork end fixing bolt 2
24	.. A7 Shooting Star 32-194	.. Support bridge bottom fixing bolt (offside) 2
25	.. 'A' Group 24-8784	.. Front stand fork end fixing bolt washer (spring) 2
26	.. 'A' Group 2-1616	.. Front stand fork end fixing bolt nut 2
27	.. A7 Shooting Star 2-2580	.. Front stand release bolt washer (thin) 1
28	.. A7 Shooting Star 2-14	.. Front stand release bolt 1
29	.. 'A' Group 2-1462	.. Front mudguard support bridge fixing screw washer (spring) 2
30	.. 'A' Group 2-2395	.. Front mudguard support bridge fixing screw nut 2
31	.. 'A' Group 2-49	.. Support bridge bottom fixing bolt nut 4
32	.. 'A' Group 36-382	.. Support bridge bottom fixing bolt washer (shakeproof) 4
33	.. A7 Shooting Star 67-6559	.. Front mudguard support bridge 1
34	.. 'A' Group 2-2395	.. Front mudguard stay fixing screw nut 2
35	.. 'A' Group 2-1462	.. Front mudguard stay fixing screw washer (spring) 2
36	.. A7 Shooting Star 2-2395	.. Front number plate fixing stud nut 2
37	.. A7 Shooting Star 2-1462	.. Front number plate fixing stud washer (spring) 2
38	.. 'A' Group 27-8560	.. Front mudguard stay fixing screw washer (plain) 2
39	.. A7 Shooting Star 65-6576	.. Front number plate complete 1
40	.. 'A' Group 15-7161	.. Front mudguard stay fixing screw 2

**MUDGUARDS, OIL TANK AND REAR CHAINGUARD
'A' GROUP (SWINGING ARM FRAME)**



Mudguards, Oil Tank, Rear Chainguard

Plate 18—continued **MUDGUARDS, OIL TANK AND REAR CHAINGUARD—'A' GROUP (SWINGING ARM FRAME)**

Plate Ref. Number	Model	Part No.	Description	Number per set
41	'A' Group	42-8342	Oil tank mounting strip (rubber)	4
42	'A' Group	65-8500	Oil tank filler cap	1
43	'A' Group	67-42	Oil tank filler cap washer (fibre)	1
44	'A' Group	42-8367	Oil tank with fixed fittings	1
45	A7 Shooting Star	67-6556	Front mudguard with fixed fittings	1
46	'A' Group	27-8560	Front mudguard support bridge fixing screw washer (plain)	2
47	'A' Group	15-7161	Front mudguard support bridge fixing screw	2
48	A7 A10 Swinging Arm	28-2338	Support bridge bottom fixing bolt	2
	A7 Shooting Star	28-2338	Support bridge bottom fixing bolt (nearside)	2
49	'A' Group	42-8334	Oil tank filter assembly	1
50	'A' Group	42-8343	Oil tank filter plug washer (fibre)	1
51	'A' Group	15-7354	Rear mudguard bottom bracket frame bolt	2
52	'A' Group	2-49	Rear mudguard bottom bracket fixing bolt nut	2
53	'A' Group	24-8784	Rear mudguard bottom bracket fixing bolt washer (spring)	2
54	'A' Group	42-8346	Oil feed pipe (armoured)	1
55	'A' Group	42-8347	Oil return pipe (armoured)	1
56	'A' Group	42-6853	Rear mudguard distance piece (rubber)	1
	'A' Group	42-6853	Rear mudguard distance piece (rubber) (1955 models)	2
57	'A' Group	42-6759	Rear mudguard fixing clip	1
	'A' Group	42-6759	Rear mudguard fixing clip (1955 models)	2
58	'A' Group	2-525	Rear mudguard fixing clip bolt washer (plain)	2
	'A' Group	2-525	Rear mudguard fixing clip bolt washer (plain) (1955 models)	4
59	'A' Group	24-8328	Rear mudguard fixing clip bolt	2
	'A' Group	24-8328	Rear mudguard fixing clip bolt (1955 models)	4
60	'A' Group	29-5289	Oil tank top fixing bolt	1
61	'A' Group	2-537	Oil tank top fixing bolt washer (plain)	1
62	'A' Group	42-8339	Oil tank top fixing bolt distance tube	1
63	'A' Group	42-8331	Oil tank top fixing bolt spacing tube	1
64	'A' Group	15-203	Rocker feed pipe banjo washer (fibre)	1
65	'A' Group	42-8340	Rocker feed pipe banjo locknut	1
66	'A' Group	42-8326	Oil tank front fixing bolt complete	1
67	'A' Group	42-8341	Oil tank top fixing bolt mounting pad (rubber)	2
68	'A' Group	2-537	Oil tank top fixing bolt washer (plain)	1
69	'A' Group	2-49	Oil tank top fixing bolt nut	1
70	'A' Group	42-8329	Oil tank front fixing bolt saddle washer	1
71	'A' Group	42-8331	Oil tank front fixing bolt spacing tube	1
72	'A' Group	42-8330	Oil tank front fixing bolt bracket cup	1
73	'A' Group	42-8341	Oil tank front fixing bolt mounting pad (rubber)	1
74	'A' Group	2-537	Oil tank front fixing bolt washer (plain)	1
75	'A' Group	2-49	Oil tank front fixing bolt nut	1
76	'A' Group	67-6851	Rear number plate rubber extrusion	1
76A	'A' Group	42-8351	Oil tank fixing bracket complete	1
77	'A' Group	67-6830	Rear number plate complete	1
	'A' Group	67-6830	Rear number plate complete (1955 models) (with hole to suit screw-on type reflector)	1
78	'A' Group	67-9067	Rear reflector	1
79	'A' Group	67-6839	Rear mudguard tail lamp wiring grommet	2
80	'A' Group	28-2338	Rear mudguard stay bolt	4
81	'A' Group	2-923	Rear mudguard stay bolt washer (plain)	4
82	'A' Group	42-2774	Silencer complete (offside)	1
	'A' Group	42-2775	Silencer complete (nearside)	1
83	'A' Group	2-449	Silencer bracket fixing bolt nut (when pillion footrests not fitted)	2
84	'A' Group	2-522	Silencer bracket fixing bolt washer (spring) (when pillion footrests not fitted)	2
	'A' Group	2-803	Silencer bracket fixing bolt (when pillion footrests not fitted)	2
85	'A' Group	2-220	Rear number plate fixing bolt	4
86	'A' Group	27-8560	Rear number plate fixing bolt washer (plain)	4
87	'A' Group	2-1462	Rear number plate fixing bolt washer (spring)	4
88	'A' Group	2-49	Rear mudguard stay bolt nut	4
89	'A' Group	24-8784	Rear mudguard stay bolt washer (spring)	4
90	'A' Group	42-6824	Rear mudguard stay complete (offside)	1
91	'A' Group	42-6822	Rear mudguard stay complete (nearside)	1
	'A' Group	42-6858	Rear mudguard stay complete (nearside) (1955 models)	1
	'A' Group	42-6860	Rear mudguard stay complete (offside) (1955 models)	1
92	'A' Group	2-49	Rear mudguard stay frame bracket bolt nut	4
93	'A' Group	24-8784	Rear mudguard stay frame bracket bolt washer (spring)	4
94	'A' Group	67-8313	Rear mudguard stay frame bracket bolt	2
95	'A' Group	24-8784	Rear mudguard stay frame bracket bolt washer (spring)	2
96	'A' Group	2-923	Rear mudguard stay frame bracket bolt washer (plain)	4
97	'A' Group	28-2338	Rear mudguard stay frame bracket bolt	4

Plate 18—continued

MUDGUARDS, OIL TANK AND REAR CHAINGUARD—'A' GROUP (SWINGING ARM FRAME)

Plate Ref. Number	Model	Part No.	Description	Number per set
98	'A' Group	42-6761	Rear mudguard stay frame bracket (offside)	1
	'A' Group	42-6762	Rear mudguard stay frame bracket (nearside)	1
99	'A' Group	2-2395	Rear mudguard fixing clip bolt nut	2
	'A' Group	2-2395	Rear mudguard fixing clip bolt nut (1955 models)	4
100	'A' Group	2-1462	Rear mudguard fixing clip bolt nut washer (spring)	2
	'A' Group	2-1462	Rear mudguard fixing clip bolt nut washer (spring) (1955 models)	4
101	'A' Group	42-6782	Rear mudguard clip stiffening plate	1
	'A' Group	42-6782	Rear mudguard clip stiffening plate (1955 models)	2
102	'A' Group	24-7148	Rear mudguard bottom bracket fixing bolt	2
103	'A' Group	42-6783	Rear mudguard bottom bracket stiffening plate	1
104	'A' Group	42-6841	Rear mudguard complete with fixed fittings	1
	'A' Group	42-6839	Rear mudguard complete with fixed fittings (drilled for handrail)	1
	'A' Group	42-6856	Rear mudguard complete with fixed fittings (1955 models)	1
105	'A' Group	42-6820	Rear mudguard bottom bracket	1
106	'A' Group	24-8784	Rear mudguard bottom bracket frame bolt washer (spring)	2
107	'A' Group	2-49	Rear mudguard bottom bracket frame bolt nut	2
108	A7 Shooting Star	15-447	Front stand release bolt nut	1
109	A7 Shooting Star	27-410	Front stand release bolt locknut	1
110	A7 Shooting Star	2-6537	Front stand release bolt washer (thick)	1
111	'A' Group	2-2395	Silencer inlet tube clip bolt nut	2
112	'A' Group	29-541	Silencer inlet tube clip bolt washer (shakeproof)	2
113	'A' Group	24-7343	Silencer inlet tube clip bolt	2
114	'A' Group	33-4089	Rear chainguard fixing bolt (long)	1
115	'A' Group	2-923	Rear chainguard fixing bolt washer (plain)	1
116	'A' Group	42-7703	Rear chainguard fixing bolt distance tube (short)	1
117	'A' Group	67-9069	Rear reflector (1955 models)	1
118	'A' Group	29-541	Rear number plate reflector washer (shakeproof) (1955 models)	1
119	'A' Group	21-5102	Rear number plate reflector nut (1955 models)	1

Plate 19

PETROL TANK, HANDLEBAR, FRONT MUDGUARD, TOOL BOX AND REAR BRAKE CONTROL — 'A' GROUP (SWINGING ARM FRAME)

Plate Ref. Number	Model	Part No.	Description	Number per set
1	'A' Group	29-7368	Rear brake rod adjuster ferrule	1
2	'A' Group	65-6274	Rear brake lever swivel pin	1
3	'A' Group	15-1312	Rear brake rod spring	1
4	'A' Group	2-2395	Rear brake rod spring nut	1
5	'A' Group	42-7007	Rear brake rod complete	1
6	'A' Group	42-9038	Toolbox complete with fixed fittings	1
7	'A' Group	65-292	Toolbox top fixing bolt	1
8	'A' Group	24-8784	Toolbox top fixing bolt washer (spring)	1
9	'A' Group	42-4080	Toolbox fixing stud	2
10	'A' Group	2-49	Toolbox fixing stud nut	2
11	'A' Group	35-33	Toolbox fixing stud washer (spring)	2
12	'A' Group	42-8339	Toolbox top fixing bolt distance tube	1
13	'A' Group	2-49	Toolbox top fixing bolt nut	1
14	'A' Group	27-5674	Toolbox top fixing bolt washer (plain)	1
15	'A' Group	42-9061	Dual seat rear fixing bolt	2
16	'A' Group	2-923	Dual seat rear fixing bolt washer (plain)	2
17	'A' Group	35-33	Dual seat rear fixing bolt washer (spring)	2
18	'A' Group	42-6799	Dual seat rear support bridge	1
19	'A' Group	42-9072	Dual seat complete with brackets	1
20	'A' Group	2-49	Dual seat rear support bridge bolt nut	2
21	'A' Group	24-8784	Dual seat rear support bridge bolt washer (spring)	2
22	'A' Group	2-923	Dual seat rear support bridge bolt washer (plain)	2
23	'A' Group	15-7354	Dual seat rear support bridge bolt	2
24	'A' Group	65-8503	Twist grip rubber grip	1
25	'A' Group	65-8504	Twist grip rotor and rotor sleeve complete	1
26	'A' Group	24-9570	Twist grip friction spring screw	1

Plate 19 PETROL TANK, HANDLEBAR, FRONT MUDGUARD, TOOLBOX AND REAR BRAKE CONTROL—'A' GROUP (SWINGING ARM FRAME)

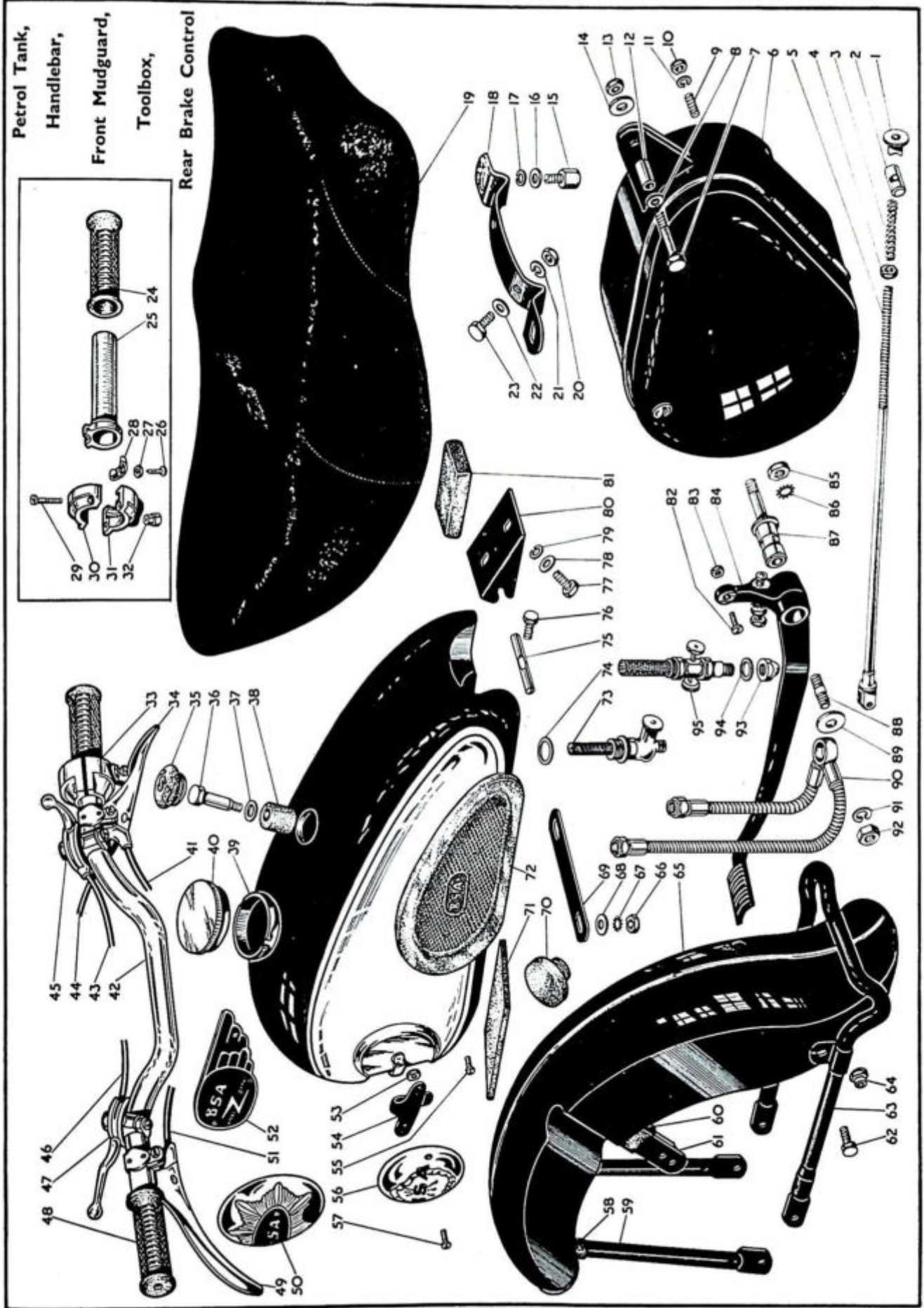


Plate 19—cont. PETROL TANK, HANDLEBAR, FRONT MUDGUARD, TOOL BOX AND REAR BRAKE CONTROL —‘A’ GROUP (SWINGING ARM FRAME)

Plate Ref. Number	Model	Part No.	Description	Number per set
27	'A' Group	24-9571	Twist grip friction spring screw locknut	1
28	'A' Group	24-9569	Twist grip friction spring	1
29	'A' Group	24-9573	Twist grip body screw	2
30	'A' Group	65-8505	Twist grip body (top half)	1
31	'A' Group	65-8506	Twist grip body (bottom half)	1
32	'A' Group	24-9572	Twist grip cable stop	1
33	'A' Group	65-8501	Throttle twist grip complete (less cable and cover)	1
34	'A' Group	29-8810	Front brake control complete (less cable and cover)	1
35	'A' Group	42-8010	Petrol tank rubber grommet	1
36	'A' Group	42-8011	Petrol tank fixing bolt	1
37	'A' Group	2-1945	Petrol tank fixing bolt washer (plain)	1
38	'A' Group	42-8012	Petrol tank mounting rubber (top)	1
39	A7 Swinging Arm	42-8046	Petrol tank (4 gallon)	1
	A7 Shooting Star	42-8047	Petrol tank (4 gallon)	1
	A10 Swinging Arm	42-8048	Petrol tank (4 gallon)	1
	A7 Swinging Arm	42-8043	Petrol tank (2 gallon)	1
	A7 Shooting Star	42-8044	Petrol tank (2 gallon)	1
	A10 Swinging Arm	42-8045	Petrol tank (2 gallon)	1
40	'A' Group	29-7898	Petrol tank filler cap	1
41	'A' Group	67-8610	Front brake cable and cover complete	1
42	'A' Group	65-4960	Handlebar (less controls)	1
	A7 Swinging Arm			
43	A7 Shooting Star	67-8555	Air control cable and cover complete	1
	A10 Swinging Arm	67-8592	Air control cable and cover complete	1
	A7 Swinging Arm			
44	A7 Shooting Star	67-8521	Throttle control cable and cover complete	1
	A10 Swinging Arm	67-8595	Throttle control cable and cover complete	1
45	'A' Group	66-8896	Air control complete (less cable and cover)	1
46	A7 Shooting Star	65-8714	Ignition control cable and cover complete	1
47	A7 Shooting Star	66-8810	Ignition control complete (less cable and cover)	1
48	'A' Group	65-8502	Dummy grip (left-hand bar)	1
49	'A' Group	29-8820	Clutch control complete (less cable and cover)	1
50	A7 Shooting Star	67-8116	Petrol tank badge	2
51	'A' Group	67-8681	Clutch control cable and cover complete	1
	A10 Swinging Arm	67-8071	Petrol tank badge (nearside)	1
52	A10 Swinging Arm	67-8070	Petrol tank badge (offside)	1
53	'A' Group	42-8034	Petrol tank badge clip screw nut	4
54	'A' Group	42-8020	Petrol tank badge clip	2
55	'A' Group	2-79	Knee grip fixing screw	4
56	A7 Swinging Arm	65-8220	Petrol tank badge	2
57	'A' Group	65-8317	Petrol tank badge clip screw	4
58	A7, A10 Swinging Arm	67-6547	Front mudguard stay insulator	2
59	A7, A10 Swinging Arm	67-6544	Front mudguard stay	1
60	A7, A10 Swinging Arm	67-6546	Front mudguard bridge stay insulator	2
61	A7, A10 Swinging Arm	65-6606	Front mudguard support bridge	1
62	A7, A10 Swinging Arm	2-1354	Front stand mudguard fixing bolt	2
63	A7, A10 Swinging Arm	67-6530	Front stand complete	1
64	A7, A10 Swinging Arm	15-447	Front stand mudguard fixing bolt nut	2
65	A7, A10 Swinging Arm	67-6543	Front mudguard complete with fixed fittings	1
66	'A' Group	2-49	Petrol tank stiffening plate stud nut	2
67	'A' Group	36-382	Petrol tank stiffening plate stud washer (shakeproof)	2
68	'A' Group	2-923	Petrol tank stiffening plate stud washer (plain)	2
69	'A' Group	42-8058	Petrol tank stiffening plate	1
70	'A' Group	42-8052	Petrol tank anti-roll rubber	2
71	'A' Group	42-8051	Petrol tank mounting rubber (top tube)	2
72	'A' Group	65-8206	Knee grip (nearside)	1
	'A' Group	65-8205	Knee grip (offside)	1
73	'A' Group	67-8092	Petrol tap	2
74	'A' Group	24-8504	Petrol tap washer (fibre)	2
75	'A' Group	42-9060	Dual seat front support pin	1
76	'A' Group	2-220	Dual seat front support pin securing bolt	1
77	'A' Group	28-2338	Dual seat front fixing bolt	2
78	'A' Group	2-923	Dual seat front fixing bolt washer (plain)	2
79	'A' Group	35-33	Dual seat front fixing bolt washer (spring)	2
80	'A' Group	42-9058	Dual seat front support bracket	1
81	'A' Group	42-9063	Dual seat support rubber	2
	'A' Group	42-9057	Dual seat support rubber (1955 models)	2
82	'A' Group	2-510	Rear brake rod toggle end screw	1
83	'A' Group	2-443	Rear brake rod toggle end screw nut	1
84	'A' Group	42-7003	Rear brake pedal complete	1

**Plate 19—cont. PETROL TANK, HANDLEBAR, FRONT MUDGUARD,
TOOL BOX AND REAR BRAKE CONTROL —‘A’ GROUP (SWINGING ARM FRAME)**

Plate Ref. Number	Model	Part No.	Description	Number per set
85	.. 'A' Group 2-46	.. Rear brake pedal fulcrum pin nut 1
86	.. 'A' Group 66-4707	.. Rear brake pedal fulcrum pin washer (shakeproof) 1
87	.. 'A' Group 42-7012	.. Rear brake pedal fulcrum pin 1
88	.. 'A' Group 67-4032	.. Rear brake pedal fulcrum stud 1
89	.. 'A' Group 30-196	.. Rear brake pedal fulcrum stud washer (plain) 1
90	.. 'A' Group 67-8087	.. Flexible petrol pipe complete (armoured) 1
	.. 'A' Group 42-8070	.. Flexible petrol pipe complete (plastic) (1955 models) 1
91	.. 'A' Group 2-525	.. Rear brake pedal fulcrum stud washer (spring) 1
92	.. 'A' Group 2-46	.. Rear brake pedal fulcrum stud nut 1
93	.. 'A' Group 42-8075	.. Petrol tap (1955 models) 2
94	.. 'A' Group 67-8059	.. Petrol tap washer (plain) 2
95	.. 'A' Group 67-8060	.. Petrol tap domed nut 2

Plate 20

**LEGSIELDS
‘A’ GROUP (PLUNGER FRAME)**

Plate Ref. Number	Model	Part No.	Description	Number per set
	.. 'A' Group 67-7201	.. Legshields assembled complete 1
1	.. 'A' Group 66-7353	.. Legshield support tube clip 8
2	.. 'A' Group 27-8560	.. Legshield support tube clip washer 8
3	.. 'A' Group 67-7205	.. Legshield top cross tube adaptor 1
4	.. 'A' Group 67-7204	.. Legshield top cross tube spacing sleeve 1
5	.. 'A' Group 67-7205	.. Legshield top cross tube adaptor 1
6	.. 'A' Group 2-46	.. Cross tube adaptor stud nut 2
7	.. 'A' Group 2-522	.. Cross tube adaptor stud washer 2
8	.. 'A' Group 67-7203	.. Legshield top cross tube clamp 1
9	.. 'A' Group 27-5683	.. Legshield top cross tube adaptor stud 2
10	.. 'A' Group 67-7202	.. Legshield only 2
11	.. 'A' Group 15-7161	.. Legshield support tube clip screw 8
12	.. 'A' Group 2-2395	.. Legshield support tube clip nut 8
13	.. 'A' Group 29-7670	.. Crankcase and legshield bottom fixing plate stud 2
14	.. 'A' Group 36-382	.. Crankcase and legshield bottom fixing plate stud washer 4
15	.. 'A' Group 2-49	.. Crankcase and legshield bottom fixing plate stud nut 4
16	.. 'A' Group 66-7351	.. Legshield support tube complete 4
17	.. 'A' Group 67-7208	.. Bottom cross tube fixing complete 2

LEGSIELDS—'A' GROUP (PLUNGER FRAME)

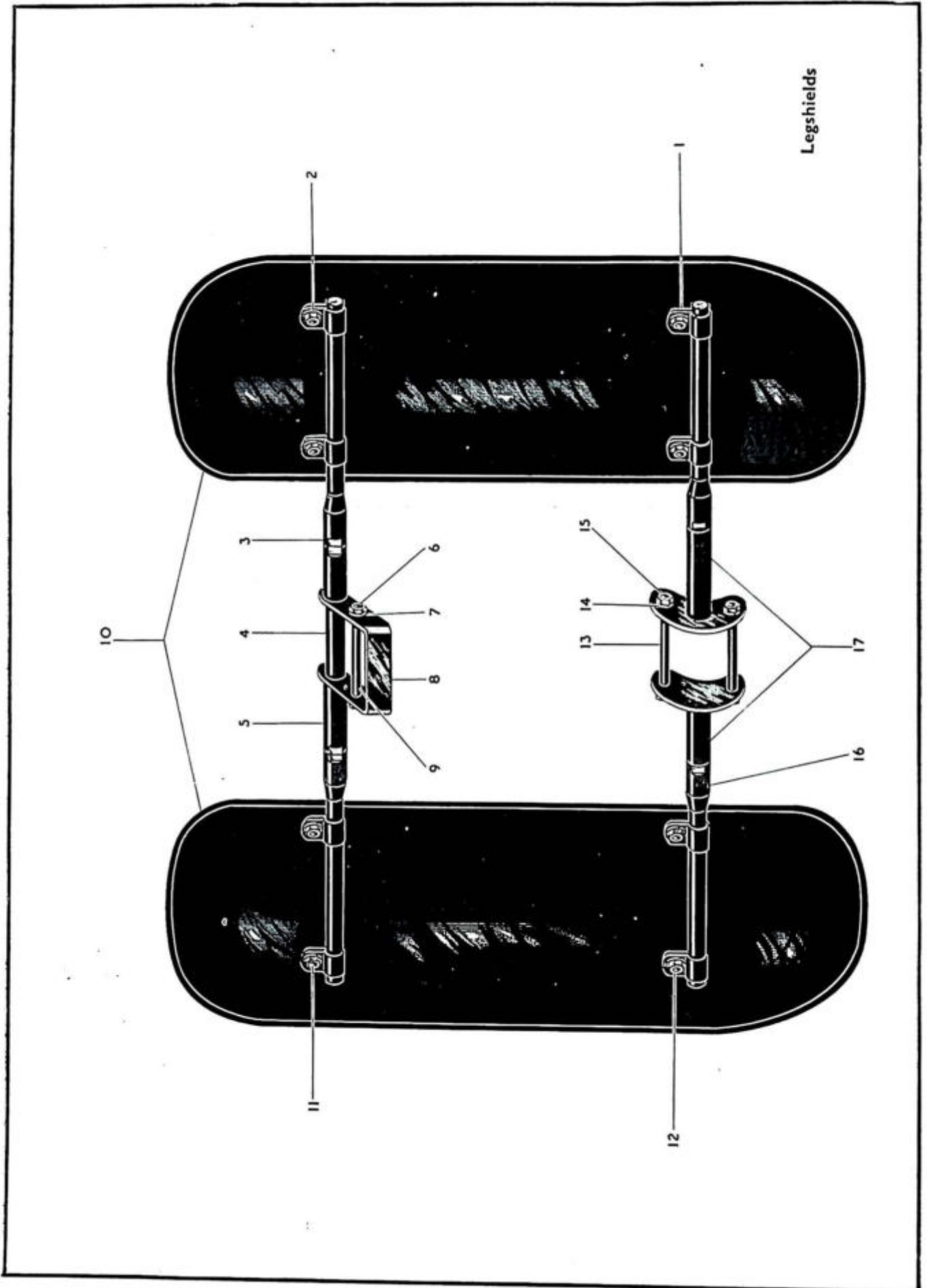
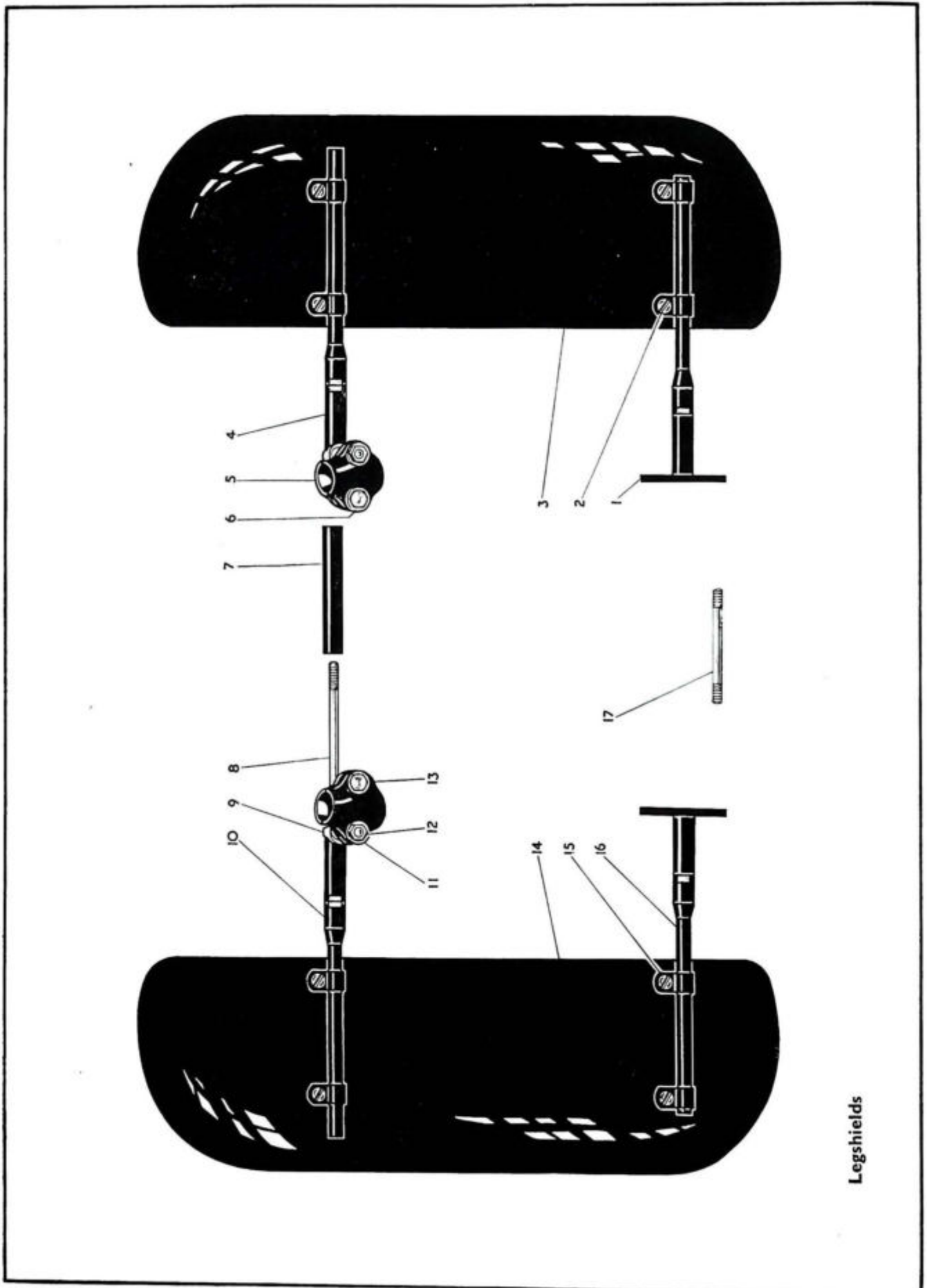


Plate 21
**LEGSHIELDS
'A' GROUP (SWINGING ARM FRAME)**

Plate Ref. Number	Model	Part No.	Description	Number per set
1	'A' Group	42-7205	Legshield assembly	1
2	'A' Group	67-7208	Bottom cross tube fixing complete	2
2	'A' Group	15-7161	Legshield support tube clip screw	8
	'A' Group	27-8560	Legshield support tube clip screw washer (plain)	8
	'A' Group	2-2395	Legshield support tube clip screw nut	8
3	'A' Group	42-7207	Legshield (nearside)	1
4	'A' Group	67-7205	Legshield top cross tube adaptor	2
5	'A' Group	42-4906	Legshield front down tube split clamp	2
6	'A' Group	2-2138	Legshield front down tube split clamp washer (plain)	4
7	'A' Group	42-7210	Legshield top spacing sleeve	1
8	'A' Group	42-7211	Legshield top cross tube adaptor stud	1
9	'A' Group	42-7212	Legshield front down tube clamp eye bolt	2
10	'A' Group	42-7208	Legshield support tube complete (top)	2
11	'A' Group	2-522	Legshield front down tube clamp washer (spring)	4
12	'A' Group	2-46	Legshield front down tube clamp nut	4
13	'A' Group	2-803	Legshield front down tube clamp bolt	2
14	'A' Group	42-7206	Legshield (offside)	1
15	'A' Group	66-7353	Legshield support tube clip	8
16	'A' Group	42-7208	Legshield support tube complete (bottom)	2
17	'A' Group	29-7670	Crankcase and legshield bottom fixing plate stud	2

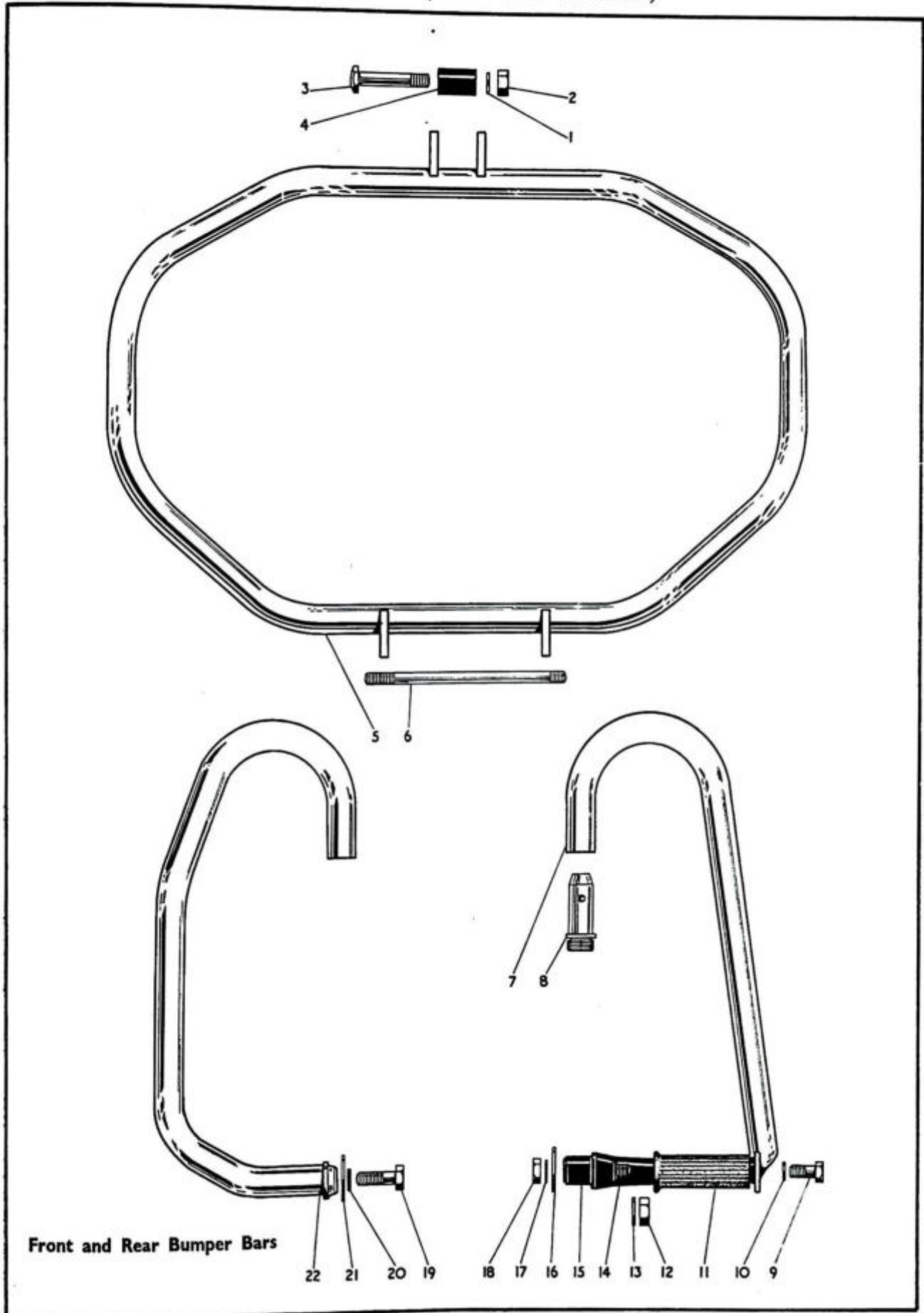
Plate 22
**BUMPER BARS
'A' GROUP (PLUNGER FRAME)**

Plate Ref. Number	Model	Part No.	Description	Number per set
1	'A' Group	67-4919	Front bumper bar assembly complete with fittings	1
1	'A' Group	3-110	Front bumper bar bolt washer (spring)	1
2	'A' Group	2-1925	Front bumper bar bolt nut	1
3	'A' Group	24-5658	Front bumper bar bolt	1
4	'A' Group	67-4925	Front bumper bar bush	1
5	'A' Group	67-4920	Front bumper bar assembly	1
6	'A' Group	27-6275	Frame, crankcase and exhaust pipe lug stud	1
7	'A' Group	67-4932	Rear bumper bar complete (nearside) (when pillion footrests are fitted)	1
	'A' Group	67-4926	Rear bumper bar complete (offside) (when pillion footrests are fitted)	1
8	'A' Group	67-4928	Rear bumper bar adaptor (top)	2
9	'A' Group	29-6110	Rear bumper bar and pillion footrest bolt (when pillion footrests are fitted)	2
10	'A' Group	2-2138	Rear bumper bar and pillion footrests bolt washer (when pillion footrests are fitted)	2
11	'A' Group	66-7363	Pillion footrest rubber	2
12	'A' Group	29-905	Rear bumper bar adaptor nut (when pillion footrests are fitted)	2
13	'A' Group	24-5914	Rear bumper bar adaptor washer (when pillion footrests are fitted)	2
14	'A' Group	67-4873	Pillion footrest	2
15	'A' Group	67-4875	Pillion footrest adaptor (bottom)	2
16	'A' Group	30-659	Rear bumper bar and pillion footrest washer (large) (when pillion footrests are fitted)	2
17	'A' Group	66-4708	Rear bumper bar and pillion footrest washer (shakeproof) (when pillion footrests are fitted)	2
18	'A' Group	31-7275	Rear bumper bar and pillion footrest bolt (when pillion footrests are fitted)	2
19	'A' Group	3-1271	Rear bumper bar bolt (when pillion footrests not fitted)	2
20	'A' Group	66-4708	Rear bumper bar bolt washer (shakeproof) (when pillion footrests not fitted)	2
21	'A' Group	30-659	Rear bumper bar bolt washer (large) (when pillion footrests not fitted)	2
22	'A' Group	66-4822	Rear bumper bar (offside) (when pillion footrests not fitted)	1
	'A' Group	66-4823	Rear bumper bar (nearside) (when pillion footrests not fitted)	1



Legshields

**FRONT AND REAR BUMPER BARS
'A' GROUP (PLUNGER FRAME)**



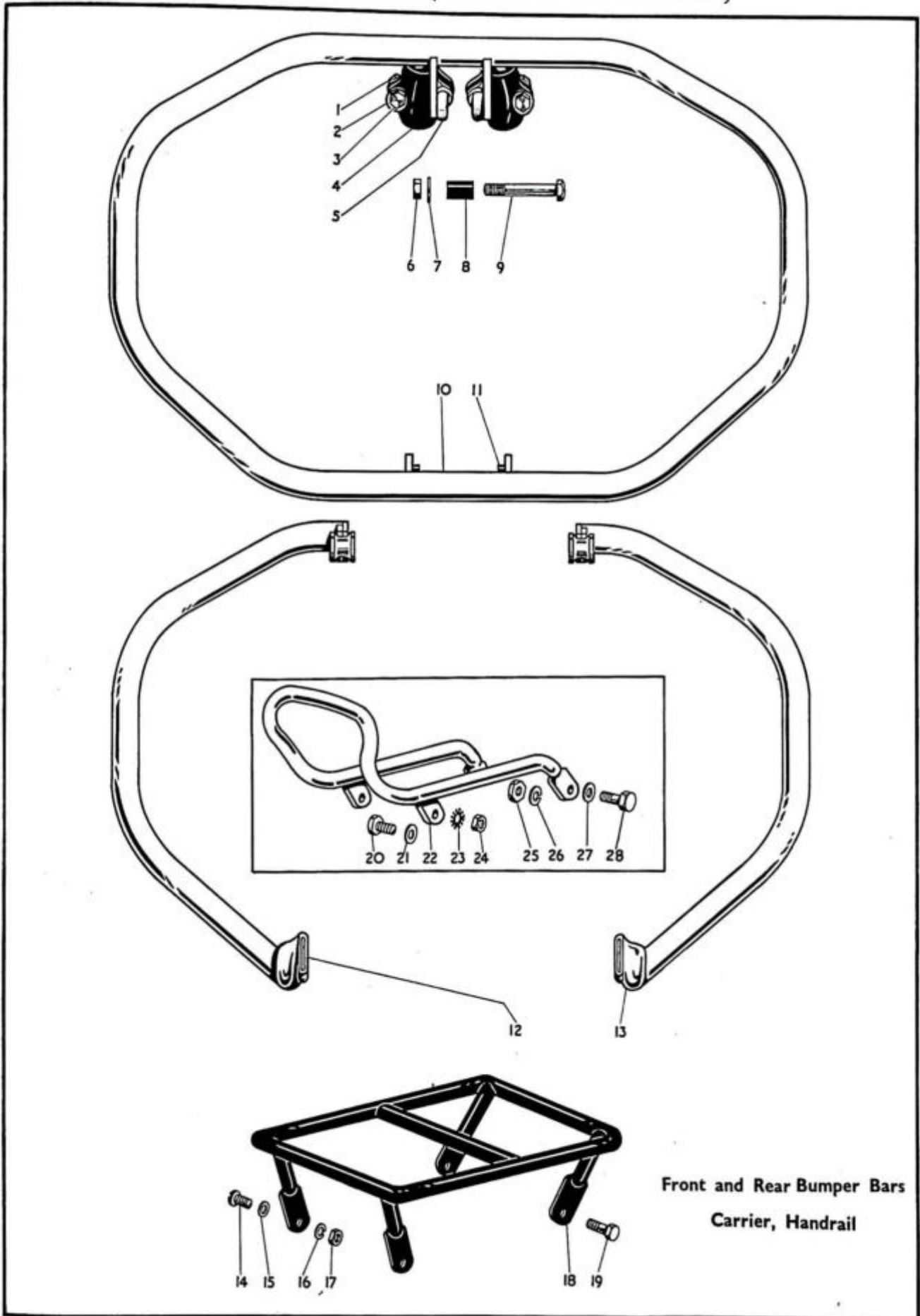
**Plate 23 FRONT AND REAR BUMPER BARS, CARRIER AND HANDRAIL
'A' GROUP (SWINGING ARM FRAME)**

Plate Ref. Number	Model	Part No.	Description	Number per set
1	'A' Group	42-4899	Front bumper bar assembled complete with fittings	1
1	'A' Group	2-46	Front bumper bar split clamp bolt nut	2
2	'A' Group	2-2903	Front bumper bar split clamp bolt washer	2
3	'A' Group	2-803	Front bumper bar split clamp bolt	2
4	'A' Group	42-4906	Front bumper bar split clamp	2
5	'A' Group	42-4904	Front bumper bar eye bolt	2
5	'A' Group	2-522	Front bumper bar eye bolt washer (spring)	2
5	'A' Group	2-46	Front bumper bar eye bolt nut	2
6	'A' Group	2-46	Front bumper bar top fixing bolt nut	1
7	'A' Group	2-522	Front bumper bar top fixing bolt washer (spring)	1
8	'A' Group	42-4905	Front bumper bar eye bolt spacing tube	1
9	'A' Group	65-4185	Front bumper bar fixing bolt (top)	1
10	'A' Group	42-4900	Front bumper bar complete	1
11	'A' Group	42-4907	Front bumper bar engine plate distance collar	2
12	'A' Group	42-4910	Rear bumper bar complete (offside)	1
13	'A' Group	42-4914	Rear bumper bar complete (nearside)	1
14	'A' Group	15-7161	Carrier fixing screw (rear)	2
15	'A' Group	2-525	Carrier fixing screw washer (rear) (plain)	2
16	'A' Group	2-1462	Carrier fixing screw washer (rear) (spring)	2
17	'A' Group	2-2395	Carrier fixing screw nut (rear)	2
18	'A' Group	42-6920	Carrier complete	1
19	'A' Group	27-6037	Carrier fixing screw (front)	2
20	'A' Group	24-6770	Handrail mudguard bolt	2
21	'A' Group	2-923	Handrail mudguard bolt washer (plain)	2
22	'A' Group	42-9075	Dual seat handrail complete	1
23	'A' Group	36-382	Handrail mudguard bolt washer (shakeproof)	2
24	'A' Group	2-49	Handrail mudguard bolt nut	2
25	'A' Group	2-49	Handrail mudguard stay bolt nut	2
26	'A' Group	24-8784	Handrail mudguard stay bolt washer (spring)	2
27	'A' Group	2-923	Handrail mudguard stay bolt washer (plain)	2
28	'A' Group	27-6037	Handrail mudguard stay bolt	2

**Plate 24 TOOLS AND SUNDRIES
'A' GROUP (PLUNGER AND SWINGING ARM FRAME)**

Plate Ref. Number	Model	Part No.	Description	Number per set
1	'A' Group	28-4265	Grease gun	1
2	'A' Group	29-9251	Magdyno spanner	1
3	'A' Group	1-3051	Double ended spanner	1
4	'A' Group	29-9253	Tommy bar	1
5	'A' Group	67-9114	Push rod assembly tool	1
6	'A' Group	65-9205	Toolbag	1
7	'A' Group	42-9026	Inflator	1
8	'A' Group Plunger	65-9245	Rear hub spindle nut spanner	1
9	'A' Group	65-9246	Carburettor and tappet adjusting spanner	1
10	'A' Group	67-9026	Box spanner	1
11	'A' Group	29-9252	Tyre lever	1
12	'A' Group	67-9023	Cylinder head bolt box spanner	1
13	'A' Group	65-9125	Feeler gauge (.010")	1
13	'A' Group	67-9047	Feeler gauge (.015")	1
14	'A' Group	65-9240	Valve grinding tool	1
15	'A' Group	67-9028	Double ended spanner	1
16	'A' Group Plunger	66-9132	Sparking plug spanner	1
16	'A' Group Swinging Arm	67-9121	Sparking plug spanner	1
17	'A' Group	15-832	Box spanner	1
18	'A' Group Swinging Arm	42-9080	Damper unit adjusting spanner	1
19	'A' Group Swinging Arm	65-9243	Combined spanner	1
20	'A' Group Swinging Arm	42-9031	Petrol tank fixing bolt spanner	1
21	'A' Group Swinging Arm	24-8957	Petrol tank fixing bolt spanner tommy bar	1

**FRONT AND REAR BUMPER BARS, CARRIER AND HANDRAIL
'A' GROUP (SWINGING ARM FRAME)**

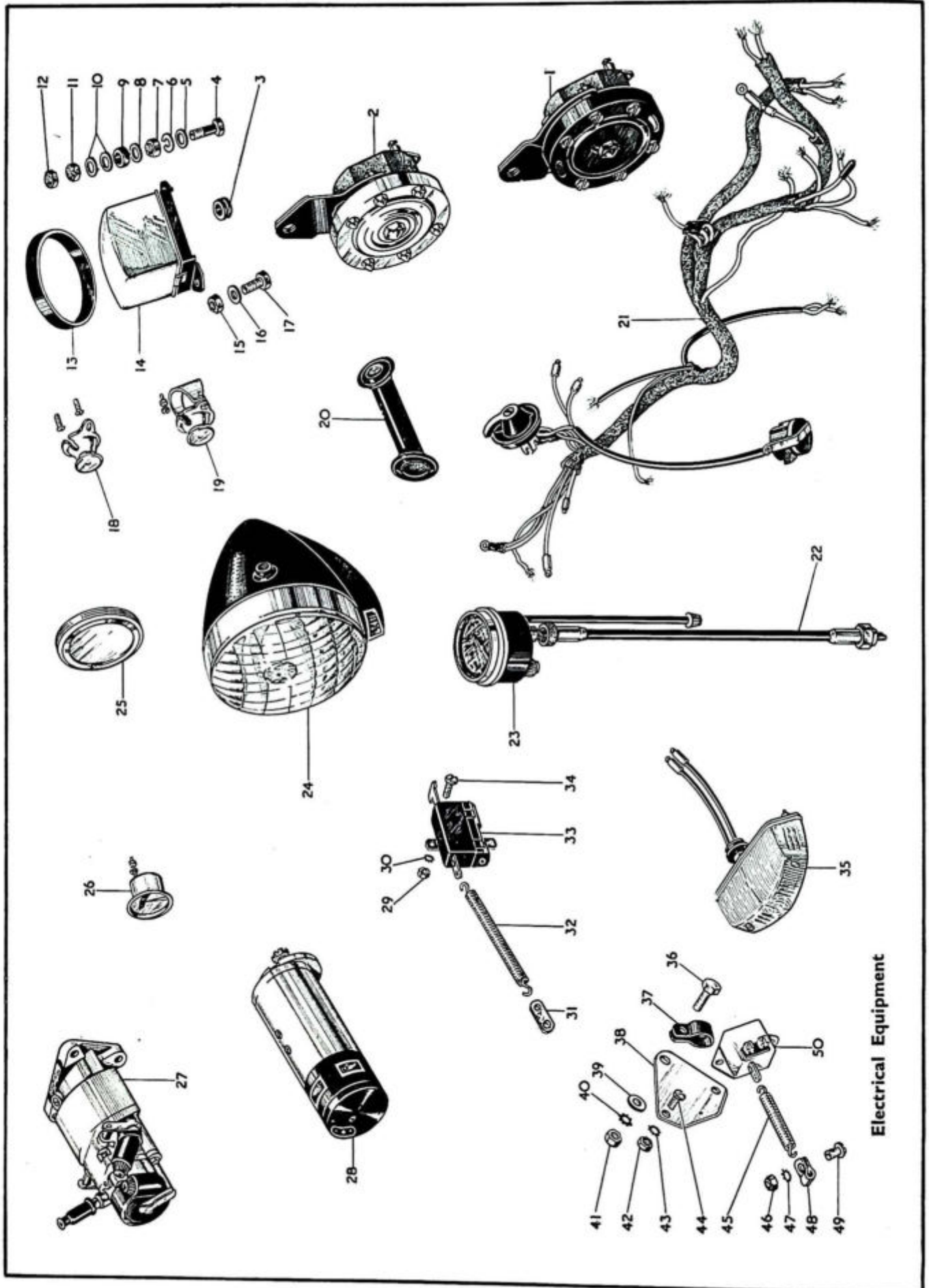


**Front and Rear Bumper Bars
Carrier, Handrail**

ELECTRICAL EQUIPMENT 'A' GROUP (PLUNGER AND SWINGING ARM FRAMES)

Plate Ref. Number	Model	Part No.	Description	Number per set
1	'A' Group Plunger	67-9068	Electric horn	1
2	'A' Group Swinging Arm	42-9045	Electric horn	1
3	'A' Group Swinging Arm	42-9009	Voltage control cable grommet (toolbox fixing)	1
4	'A' Group Plunger	2-14	Voltage control bolt	2
5	'A' Group Plunger	2-1374	Voltage control bolt washer (plain)	2
6	'A' Group Plunger	24-8784	Voltage control bolt washer (spring)	2
7	'A' Group Plunger	2-2395	Voltage control bolt nut	2
8	'A' Group Plunger	27-8560	Voltage control bolt washer (bottom)	4
9	'A' Group Plunger	15-7383	Voltage control support rubber	2
10	'A' Group Plunger	27-8560	Voltage control bolt washer (top)	2
11	'A' Group Plunger	2-2395	Voltage control bolt nut (top)	2
12	'A' Group Plunger	2-443	Voltage control bolt locknut	2
13	'A' Group Swinging Arm	42-9012	Voltage control toolbox buffer ring (toolbox fixing)	1
14	'A' Group	19-1515	Voltage control	1
15	'A' Group Swinging Arm	2-2395	Voltage control securing bolt nut (toolbox fixing)	2
16	'A' Group Swinging Arm	25-7180	Voltage control securing bolt washer (toolbox fixing)	2
17	'A' Group Swinging Arm	2-1354	Voltage control securing bolt (toolbox fixing)	2
18	'A' Group	19-2012	Horn push	1
19	'A' Group	19-1472	Cut out	1
20	'A' Group	19-2126	Speedometer cable rubber grommet	1
21	'A' Group Plunger	19-657	Cable harness with dipper switch	1
	'A' Group Swinging Arm	19-690	Cable harness with dipper switch	1
22	'A' Group Plunger	67-9063	Speedometer cable	1
	'A' Group Swinging Arm	65-9267	Speedometer cable	1
23	A7 Plunger	19-2112	Speedometer (solo and sidecar) (120 m.p.h.)	1
	A7 Plunger	19-2123	Speedometer (solo and sidecar) (180 k.p.h.)	1
	Star Twin	19-2109	Speedometer (solo) (120 m.p.h.)	1
	Star Twin	19-2121	Speedometer (solo) (180 k.p.h.)	1
	Star Twin & A10 Plunger	19-2112	Speedometer (sidecar) (120 m.p.h.)	1
	Star Twin & A10 Plunger	19-2123	Speedometer (sidecar) (180 k.p.h.)	1
	A10 Plunger	19-2111	Speedometer (solo) (120 m.p.h.)	1
	A10 Plunger	19-2122	Speedometer (solo) (180 k.p.h.)	1
	'A' Group Swinging Arm	19-2111	Speedometer (120 m.p.h.)	1
	'A' Group Swinging Arm	19-2122	Speedometer (180 k.p.h.)	1
24	A7 Plunger & Swinging Arm	19-511/37	Headlamp	1
	Star Twin & Shooting Star	19-512/39	Headlamp	1
	A10 Plunger & Swinging Arm	19-513/24	Headlamp	1
	'A' Group	19-526	Headlamp (1955 models)	1
25	'A' Group	29-9221	Licence holder	1
26	'A' Group	19-649	Ammeter	1
27	A7, A10 Plunger & Swinging Arm	19-1210	Magneto	1
	Star Twin & Shooting Star	19-1203	Magneto	1
	'A' Group	19-1207	Dynamo	1
28	'A' Group Swinging Arm	2-47	Stop light switch plate screw nut	2
29	'A' Group Swinging Arm	29-3319	Stop light switch plate screw washer (shakeproof)	2
30	'A' Group Swinging Arm	42-9027	Stop lamp switch operating link	1
31	'A' Group Swinging Arm	65-9235	Stop lamp switch operating spring	1
32	'A' Group Swinging Arm	19-1114	Stop lamp switch	1
33	'A' Group Swinging Arm	2-1309	Stop lamp switch screw	2
34	'A' Group	19-1000	Stop lamp	1
35	'A' Group Plunger	28-2338	Stop light switch plate and clip bolt	1
36	'A' Group Plunger	24-8927	Stop light switch plate clip	1
37	'A' Group Plunger	29-9342	Stop light switch plate	1
38	'A' Group Plunger	2-923	Stop light switch plate bolt washer (plain)	1
39	'A' Group Plunger	36-382	Stop light switch plate clip bolt washer (shakeproof)	1
40	'A' Group Plunger	2-49	Stop light switch plate clip bolt nut	1
41	'A' Group Plunger	2-47	Stop light switch plate screw nut	2
42	'A' Group Plunger	29-3319	Stop light switch plate screw washer (shakeproof)	2
43	'A' Group Plunger	2-1309	Stop light switch plate screw	2
44	'A' Group Plunger	65-9231	Stop light operating spring	1
45	'A' Group Plunger	2-1588	Stop light spring clip nut	1
46	'A' Group Plunger	29-3319	Stop light spring clip screw washer (shakeproof)	1
47	'A' Group Plunger	65-9228	Stop light spring clip	1
48	'A' Group Plunger	65-5912	Stop light spring clip screw	1
49	'A' Group Plunger	19-1106	Stop light switch	1
50	'A' Group	19-1552	Battery	1

**ELECTRICAL EQUIPMENT
'A' GROUP (PLUNGER AND SWINGING ARM FRAMES)**



Electrical Equipment

Plate 26

SIDECAR CHASSIS

No. 22 and No. 23.

'A' GROUP (PLUNGER FRAME)

DESCRIPTION	No. 22	No. 23
FRONT STAY.		
Front stay complete	3-1720	3-1720
Front stay cone nut	3-345	3-345
Front stay cone washer (spring)	3-108	3-108
Front connecting lug	3-1373	3-1748
Front connecting lug bolt	3-1372	3-1372
Front connecting lug bolt split pin	35-713	35-713
Front connecting lug bolt nut	3-953	3-953
Front connecting lug stud nut	—	2-46(2)
Front connecting lug bolt packing washer (plain)	24-5914	24-5914
Front connecting lug stud washer (plain)	—	2-130(2)
Front connecting lug clip bolt	3-1271	3-1271
Front connecting lug clip bolt washer (spring)	3-110	3-111
Front stay cone nut washer (plain)	66-5524(2)	—
FRONT SUPPORT TUBE.		
Front support tube complete with bolts and nuts	3-1719	3-1719
Front support tube	3-1716	3-1716
Front bottom connection	3-1259	3-1259
Front bottom connection bolt	3-1271	3-1271
Front bottom connection bolt nut	2-1925	2-1925
Front support tube bolt (motor cycle end)	3-619	3-619
Front bottom tube bolt nut (motor cycle end)	2-46	2-46
SADDLE PILLAR.		
Saddle pillar adjusting tube complete	3-1724	3-1724
Saddle pillar tube complete	3-1725	3-1725
Saddle pillar telescopic tube complete	3-1603	3-1603
Saddle pillar telescopic tube lug	3-1258	3-1258
Saddle pillar tube lug bolt	3-1271	3-1271
Saddle pillar tube lug bolt nut	2-1925	2-1925
Saddle pillar telescopic tube bottom lug	3-1252	3-1252
Saddle pillar telescopic tube bottom lug bolt	3-1289	3-1289
Saddle pillar telescopic tube bottom lug bolt nut	2-1925	2-1925
Saddle pillar telescopic tube bottom washer (spherical)	3-1290(2)	3-1290(2)
Saddle pillar telescopic tube bottom lug bolt washer (spring)	15-716	15-716
Saddle pillar tube lug bolt	3-1393	3-1393
Saddle pillar connecting bolt nut	3-1137	3-1137
Saddle pillar connecting bolt washer (spring)	3-107	3-107
Saddle pillar tube lug bolt	3-619	3-619
Saddle pillar tube lug bolt nut	2-46	2-46
Saddle pillar tube lug bolt washer (spring)	3-111	3-111
INSIDE TIE.		
Inside tie complete	3-9263	3-9263
Tube end spindle washer (plain)	24-5914	24-5914
Tube end spindle nut	3-953	3-953
Tube end spindle split pin	35-713	35-713
MAIN FRAME.		
Axle tube complete	3-1709	3-1709
Main rear connection	3-1700	3-1700
Main rear connection washer (spherical)	3-663	3-663
Main rear washer (double spring)	3-664	3-664
Main rear connection nut	2-1946	2-1946
Main rear connection grease nipple	28-2080	28-2080
Main rear connection split pin	35-722	35-722
Wheel bracket	3-1701	3-1701

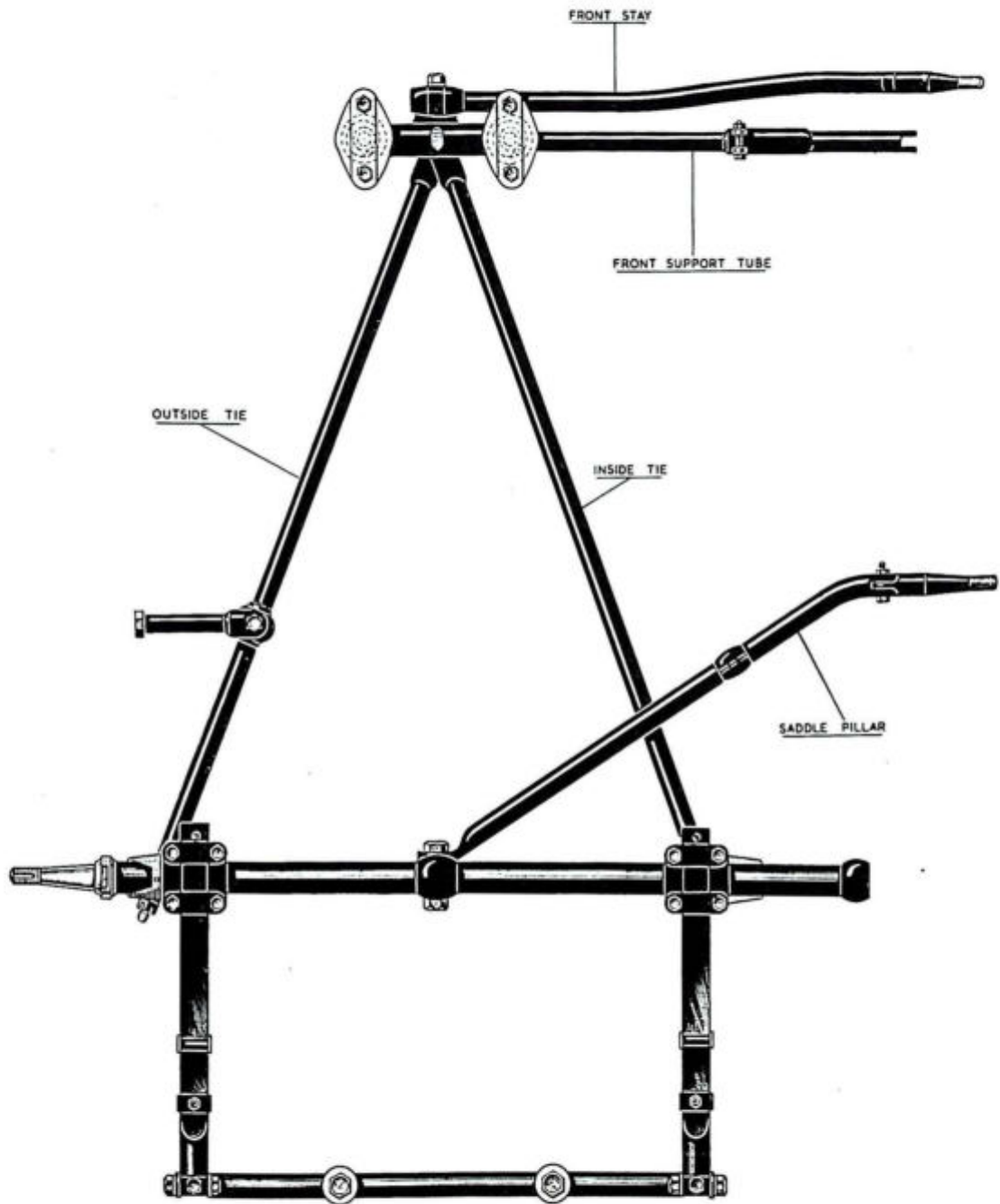
Plate 26—continued

SIDECAR CHASSIS—continued

No. 22 and No. 23.

DESCRIPTION	No. 22	No. 23
OUTSIDE TIE.		
Outside tie complete	3-9264	3-9264
Tube end spindle washer (plain)	24-5914	24-5914
Tube end spindle nut	3-953	3-953
Tube end spindle split pin	35-713	35-713
FRONT SPRING (TWIN)		
Front spring	3-861(2)	3-861(2)
Front spring cup	3-839(2)	3-839(2)
Front spring bracket	3-603(2)	3-1021(2)
Front spring bracket bolt	30-1215(4)	30-1215(4)
Front spring bracket bolt washer (spring)	35-33(4)	35-33(4)
Front spring clamp plate	3-641(2)	3-641(2)
Front spring connecting bolt nut	2-46(2)	2-46(2)
Front spring bearer bar	3-1369	3-1750
Front spring connecting bolt washer (spring)	3-111(2)	3-111(2)
Front spring (inner)	—	3-1080(2)
Front spring connecting bolt	2-803(2)	2-803(2)
REAR SPRING		
Rear spring complete with bush	3-1746(2)	3-1746(2)
Rear spring shackle complete with bush	3-1704(2)	3-1704(2)
Rear spring shackle bolt	3-1383(2)	3-1383(2)
Rear spring shackle bolt nut	15-5753(2)	15-5753(2)
Rear spring shackle bolt washer (spring)	3-107(2)	3-107(2)
Rear spring shackle grease nipple	28-2080(2)	28-2080(2)
Rear bearer bar	3-1703	3-1703
Rear bearer bar nut	3-1509(2)	3-1509(2)
Rear bearer bar split pin	35-708(2)	35-708(2)
Rear bearer bar washer (plain)	2-1945(2)	2-1945(2)
Rear bearer bar thrust washer	24-875(2)	24-875(2)
Rear bearer bar connecting bolt (for No. 47 sidecar body only)	65-4185(2)	65-4185(2)
Rear bearer bar connecting bolt nut	2-46(2)	2-46(2)
Rear bearer bar connecting bolt washer (spring)	3-111(2)	3-111(2)
Rear bearer bar connecting bolt clamp washer (plain)	30-650(2)	30-650(2)
Rear bearer bar connecting bolt (for No. 48 commercial box body)	3-1712(2)	3-1712(2)
Rear spring plate	3-1714(4)	3-1714(4)
Rear spring plate clamp stud	3-1715(8)	3-1715(8)
Rear spring plate clamp stud nut	2-49(8)	2-49(8)
Rear spring plate clamp stud washer (spring)	35-33(8)	35-33(8)
SIDECAR STAND		
Sidecar stand	3-1379	3-1379
Sidecar stand bolt	2-803	2-803
Sidecar stand bolt nut	2-1813	2-1813
Sidecar stand bolt washer (spring)	2-995	2-995

SIDECAR CHASSIS—'A' GROUP (PLUNGER FRAME)



B.S.A. SIDECAR CHASSIS No. 22 & 23.

Plate 26—continued

SIDECAR CHASSIS—continued

No. 22 and No. 23

DESCRIPTION	No. 22	No. 23
WHEEL AND HUB		
Wheel complete (less tyre, spindle and bearings)	3-9380	3-9380
Wheel rim (WM 3-19)	3-9381	3-9381
Wheel spoke	27-7010(40)	27-7010(40)
Wheel spoke nipples	27-6810(40)	27-6810(40)
Hub shell complete with cups	3-9077	3-9077
Hub shell grease nipple	28-2080	28-2080
Hub ball bearings	1/4" (31)	1/4" (31)
Hub spindle	3-1702	3-1702
Wheel spindle castle nut	3-1816	3-1816
Hub cup (large)	3-36	3-36
Hub cup (small)	3-37	3-37
Hub spindle cone (fixed)	3-1241	3-1241
Hub spindle cone (adjusting)	3-34	3-34
Hub spindle cone washer (plain)	3-103	3-103
Hub spindle cone castle nut	3-62	3-62
Hub spindle cone castle nut split pin	35-705	35-705
Hub spindle bracket washer	27-8039	27-8039
Hub shell cap	3-1685	3-1685
MUDGUARD		
Mudguard (up to 1954)	3-1730	3-1730
Mudguard (1955 Models)	3-1828	3-1828
Mudguard stays complete	3-1731	3-1731
Mudguard stay support tube complete	3-1741	3-1741
Support tube lug bolt	3-12(2)	3-12(2)
Support tube lug bolt nut	2-49(2)	2-49(2)
Support tube lug bolt washer (spring)	35-33(2)	35-33(2)
Mudguard upright stay screw	1-5945(2)	1-5945(2)
Mudguard upright stay nut	2-2395(2)	2-2395(2)
Mudguard upright stay screw washer (plain)	27-8560(2)	27-8560(2)
Mudguard upright stay screw washer (spring)	2-1462(2)	2-1462(2)
Mudguard upright stay bolt	28-2338	28-2338
Mudguard upright stay bolt nut	2-49	2-49
Mudguard upright stay bolt washer (plain)	2-2899	2-2899
Mudguard upright stay bolt washer (spring)	24-8784	24-8784
Mudguard rear stay bolt	28-2338	28-2338
Mudguard rear stay bolt nut	2-49	2-49
Mudguard rear stay bolt washer (plain)	2-2899	2-2899
Mudguard rear stay bolt washer (spring)	24-8784	24-8784
Mudguard stay fixing packing washer	3-101(2)	3-101(2)
Front and rear stay bolt	1-5945(4)	1-5945(4)
Front and rear stay bolt nut	2-2395(4)	2-2395(4)
Front and rear stay bolt washer (plain)	27-8560(4)	27-8560(4)
Front and rear stay bolt washer (spring)	2-1462(4)	2-1462(4)
Mudguard support tube bolt	31-7275	31-7275
Mudguard support tube bolt nut	27-6974	27-6974
Mudguard support bolt distance nut	24-5860	24-5860
Mudguard support lug and spindle nut complete	3-1795	3-1795
SUNDRIES		
Sidecar lamp (up to 1954)	19-1109	19-1109
Sidecar lamp (1955 Models)	19-1117	19-1117
Sidecar lamp packing washer (up to 1954)	31-4070	31-4070
Sidecar lamp mounting (rubber) (1955 Models)	3-1825	3-1825
Lamp lead (rubber) (1955 Models)	19-1118	19-1118
Reflector (1955 Models)	66-6825	66-6825
Reflector fixing screw (1955 Models)	1-4606	1-4606
Reflector fixing screw nut (1955 models)	2-47	2-47
Reflector fixing screw washer (shakeproof) (1955 Models)	29-3319	29-3319
Reflector fixing screw washer (plain) (1955 Models)	2-1096	2-1096

Figures in brackets denote number per set

NUMERICAL INDEX—'A' GROUP

Part No.	Page	Ref. No.	Plate	Part No.	Page	Ref. No.	Plate
1-1796	.. 32	.. 15	.. 9	2-84	.. 44	.. 41	.. 15
1-3051	.. 60	.. 3	.. 24	2-100	.. 44	.. 42	.. 15
1-4606	.. 16	.. 97	.. 2	2-129	.. 12	.. 60	.. 1
1-5069	.. 44	.. 84	.. 15	2-129	.. 47	.. 60	.. 16
1-5069	.. 44	.. 93	.. 15	2-130	.. 40	.. 6	.. 14
2-14	.. 49	.. 28	.. 18	2-204	.. 44	.. 86	.. 15
2-14	.. 63	.. 4	.. 25	2-204	.. 45	.. 103	.. 15
2-46	.. 25	.. 11	.. 6	2-220	.. 34	.. 30	.. 10
2-46	.. 25	.. 23	.. 6	2-220	.. 44	.. 64	.. 15
2-46	.. 27	.. 41	.. 6	2-220	.. 51	.. 86	.. 18
2-46	.. 27	.. 51	.. 6	2-220	.. 54	.. 76	.. 19
2-46	.. 27	.. 52	.. 6	2-292	.. 34	.. 48	.. 10
2-46	.. 28	.. 16	.. 7	2-353	.. 49	.. 9	.. 18
2-46	.. 28	.. 3	.. 8	2-433	.. 20	.. 10	.. 4
2-46	.. 28	.. 10	.. 8	2-440	.. 25	.. 22	.. 6
2-46	.. 28	.. 12	.. 8	2-440	.. 27	.. 59	.. 6
2-46	.. 28	.. 23	.. 8	2-440	.. 27	.. 64	.. 6
2-46	.. 28	.. 31	.. 8	2-440	.. 36	.. 28	.. 11
2-46	.. 30	.. 41	.. 8	2-440	.. 36	.. 1	.. 12
2-46	.. 30	.. 54A	.. 8	2-440	.. 40	.. 35	.. 13
2-46	.. 30	.. 80	.. 8	2-440	.. 40	.. 1	.. 14
2-46	.. 32	.. 35	.. 9	2-443	.. 23	.. 17	.. 5
2-46	.. 45	.. 21	.. 16	2-443	.. 40	.. 32	.. 13
2-46	.. 47	.. 40	.. 16	2-443	.. 49	.. 22	.. 17
2-46	.. 55	.. 85	.. 19	2-443	.. 54	.. 83	.. 19
2-46	.. 55	.. 92	.. 19	2-443	.. 63	.. 12	.. 25
2-46	.. 55	.. 6	.. 20	2-449	.. 15	.. 43	.. 2
2-46	.. 57	.. 12	.. 21	2-449	.. 44	.. 67	.. 15
2-46	.. 60	.. 1	.. 23	2-449	.. 51	.. 83	.. 18
2-46	.. 60	.. 5	.. 23	2-498	.. 22	.. 59	.. 4
2-46	.. 60	.. 6	.. 23	2-498	.. 47	.. 34	.. 16
2-47	.. 63	.. 29	.. 25	2-510	.. 40	.. 34	.. 13
2-47	.. 63	.. 42	.. 25	2-510	.. 49	.. 21	.. 17
2-49	.. 10	.. 38	.. 1	2-510	.. 54	.. 82	.. 19
2-49	.. 13	.. 108	.. 1	2-522	.. 28	.. 2	.. 8
2-49	.. 16	.. 98	.. 2	2-522	.. 28	.. 9	.. 8
2-49	.. 16	.. 98	.. 2	2-522	.. 28	.. 11	.. 8
2-49	.. 19	.. 97	.. 3	2-522	.. 28	.. 30	.. 8
2-49	.. 22	.. 73	.. 4	2-522	.. 30	.. 42	.. 8
2-49	.. 23	.. 21	.. 5	2-522	.. 30	.. 54	.. 8
2-49	.. 27	.. 35	.. 6	2-522	.. 30	.. 79	.. 8
2-49	.. 27	.. 46	.. 6	2-522	.. 32	.. 16	.. 9
2-49	.. 30	.. 40	.. 8	2-522	.. 44	.. 68	.. 15
2-49	.. 30	.. 71	.. 8	2-522	.. 51	.. 84	.. 18
2-49	.. 34	.. 29	.. 10	2-522	.. 55	.. 7	.. 20
2-49	.. 36	.. 19	.. 11	2-522	.. 57	.. 11	.. 21
2-49	.. 40	.. 22	.. 13	2-522	.. 60	.. 5	.. 23
2-49	.. 44	.. 32	.. 15	2-522	.. 60	.. 7	.. 23
2-49	.. 44	.. 36	.. 15	2-525	.. 17	.. 37	.. 3
2-49	.. 44	.. 57	.. 15	2-525	.. 20	.. 127	.. 3
2-49	.. 44	.. 78	.. 15	2-525	.. 22	.. 25	.. 4
2-49	.. 47	.. 56	.. 16	2-525	.. 22	.. 33	.. 4
2-49	.. 47	.. 8	.. 17	2-525	.. 51	.. 58	.. 18
2-49	.. 49	.. 5	.. 18	2-525	.. 51	.. 58	.. 18
2-49	.. 49	.. 7	.. 18	2-525	.. 55	.. 91	.. 19
2-49	.. 49	.. 31	.. 18	2-525	.. 60	.. 15	.. 23
2-49	.. 51	.. 52	.. 18	2-537	.. 51	.. 61	.. 18
2-49	.. 51	.. 69	.. 18	2-537	.. 51	.. 68	.. 18
2-49	.. 51	.. 75	.. 18	2-537	.. 51	.. 74	.. 18
2-49	.. 51	.. 89	.. 18	2-803	.. 51	.. 85	.. 18
2-49	.. 51	.. 92	.. 18	2-803	.. 57	.. 13	.. 21
2-49	.. 52	.. 107	.. 18	2-803	.. 60	.. 3	.. 23
2-49	.. 52	.. 10	.. 19	2-833	.. 15	.. 21	.. 2
2-49	.. 52	.. 13	.. 19	2-923	.. 13	.. 124	.. 1
2-49	.. 52	.. 20	.. 19	2-923	.. 16	.. 123	.. 2
2-49	.. 54	.. 66	.. 19	2-923	.. 20	.. 115	.. 3
2-49	.. 55	.. 15	.. 20	2-923	.. 23	.. 105	.. 4
2-49	.. 60	.. 24	.. 23	2-923	.. 25	.. 17	.. 6
2-49	.. 60	.. 25	.. 23	2-923	.. 27	.. 36	.. 6
2-49	.. 63	.. 41	.. 25	2-923	.. 30	.. 56	.. 8
2-51	.. 15	.. 57	.. 2	2-923	.. 30	.. 72	.. 8
2-51	.. 15	.. 81	.. 2	2-923	.. 34	.. 27	.. 10
2-79	.. 47	.. 9	.. 17	2-923	.. 44	.. 45	.. 15
2-79	.. 54	.. 55	.. 19	2-923	.. 44	.. 53	.. 15

NUMERICAL INDEX 'A' GROUP—continued

Part No.	Page	Ref. No.	Plate	Part No.	Page	Ref. No.	Plate
2-923	44	85	15	2-2395	23	4	5
2-923	44	92	15	2-2395	25	31	6
2-923	47	53	16	2-2395	27	69	6
2-923	47	59	16	2-2395	30	53	8
2-923	47	7	17	2-2395	34	50	10
2-923	49	3	18	2-2395	42	14	15
2-923	49	20	18	2-2395	42	17	15
2-923	49	21	18	2-2395	44	76	15
2-923	51	81	18	2-2395	45	100	15
2-923	51	96	18	2-2395	45	108	15
2-923	52	115	18	2-2395	49	17	17
2-923	52	16	19	2-2395	49	25	17
2-923	52	22	19	2-2395	49	15	18
2-923	54	68	19	2-2395	49	30	18
2-923	54	78	19	2-2395	49	34	18
2-923	60	21	23	2-2395	49	36	18
2-923	60	27	23	2-2395	52	99	18
2-923	63	39	25	2-2395	52	99	18
2-1027	44	80	15	2-2395	52	111	18
2-1096	28	26	8	2-2395	52	4	19
2-1309	34	49	10	2-2395	55	12	20
2-1309	63	34	25	2-2395	57	2	21
2-1309	63	44	25	2-2395	60	17	23
2-1354	44	37	15	2-2395	63	7	25
2-1354	44	61	15	2-2395	63	11	25
2-1354	54	62	19	2-2395	63	15	25
2-1354	63	17	25	2-2527	36	25	11
2-1374	63	5	25	2-2527	40	30	13
2-1462	23	16	5	2-2578	20	131	3
2-1462	25	30	6	2-2578	23	114	4
2-1462	30	52	8	2-2579	20	118	3
2-1462	40	33	13	2-2579	23	111	4
2-1462	42	15	15	2-2580	49	12	18
2-1462	42	16	15	2-2580	49	27	18
2-1462	44	73	15	2-2903	16	111	2
2-1462	44	77	15	2-2903	27	53	6
2-1462	45	101	15	2-2903	34	46	10
2-1462	49	16	17	2-2903	60	2	23
2-1462	49	14	18	2-3525	15	52	2
2-1462	49	29	18	2-3718	19	93	3
2-1462	49	35	18	2-3718	22	87	4
2-1462	49	37	18	2-4553	19	69	3
2-1462	51	88	18	2-4553	20	111	3
2-1462	52	100	18	2-4553	22	62	4
2-1462	52	100	18	2-4553	23	99	4
2-1462	60	16	23	2-6537	30	67A	8
2-1588	63	46	25	2-6537	44	72	15
2-1616	30	46	8	2-6537	52	110	18
2-1616	42	13	15	3-110	27	60	6
2-1616	42	21	15	3-110	57	1	22
2-1616	49	17	18	3-720	17	38	3
2-1616	49	26	18	3-720	22	29	4
2-1733	32	18	9	3-720	38	40	12
2-1733	32	30	9	3-720	42	41	14
2-1925	28	6	8	3-1271	57	19	22
2-1925	30	43	8	3-1399	28	9	7
2-1925	57	2	22	3-1399	32	29	9
2-1934	42	11	15	3-1718	27	63	6
2-1934	49	23	18	15-40	12	84	1
2-1945	27	33	6	15-203	10	14	1
2-1945	27	81	6	15-203	51	64	18
2-1945	28	4	8	15-431	36	30A	11
2-1945	30	86	8	15-431	36	3	12
2-1945	32	6	9	15-431	40	37	13
2-1945	54	37	19	15-431	40	3	14
2-1946	27	42	6	15-447	42	9	15
2-1967	12	1	1	15-447	44	63	15
2-1967	28	5	8	15-447	52	108	18
2-1967	30	44	8	15-447	54	64	19
2-1967	32	7	9	15-518	27	55	6
2-2138	57	6	21	15-541	27	34	6
2-2138	57	10	22	15-541	36	24	11
2-2395	15	12	2	15-541	40	27	13

NUMERICAL INDEX 'A' GROUP—continued

Part No.	Page	Ref. No.	Plate	Part No.	Page	Ref. No.	Plate
15-541	.. 47	.. 48	.. 16	21-2880	.. 42	.. 2	.. 15
15-716	.. 36	.. 23	.. 11	21-5102	.. 10	.. 42	.. 1
15-716	.. 40	.. 26	.. 13	21-5102	.. 45	.. 111	.. 15
15-716	.. 47	.. 49	.. 16	21-5102	.. 52	.. 119	.. 18
15-832	.. 60	.. 17	.. 24	21-5104	.. 17	.. 149	.. 2
15-1312	.. 28	.. 17	.. 7	21-5842	.. 17	.. 7	.. 3
15-1312	.. 49	.. 26	.. 17	21-6187	.. 10	.. 45	.. 1
15-1312	.. 52	.. 3	.. 19	24-195	.. 16	.. 110	.. 2
15-1355	.. 13	.. 102	.. 1	24-563	.. 10	.. 25	.. 1
15-1355	.. 13	.. 115	.. 1	24-563	.. 32	.. 36	.. 9
15-1485	.. 17	.. 36	.. 3	24-868	.. 22	.. 41	.. 4
15-1485	.. 22	.. 34	.. 4	24-978	.. 10	.. 10	.. 1
15-1555	.. 13	.. 4	.. 2	24-4065	.. 20	.. 3	.. 4
15-1560	.. 13	.. 5	.. 2	24-4065	.. 19	.. 66	.. 3
15-1566	.. 13	.. 5	.. 2	24-4217	.. 19	.. 100	.. 3
15-4207	.. 44	.. 69	.. 15	24-4217	.. 20	.. 14	.. 4
15-4240	.. 23	.. 108	.. 4	24-4263	.. 17	.. 27	.. 3
15-5155	.. 12	.. 78	.. 1	24-4263	.. 22	.. 55	.. 4
15-5155	.. 20	.. 132	.. 3	24-5160	.. 13	.. 91	.. 1
15-5155	.. 23	.. 113	.. 4	24-5160	.. 13	.. 9	.. 2
15-5155	.. 34	.. 12	.. 10	24-5160	.. 25	.. 16	.. 6
15-5290	.. 36	.. 11	.. 11	24-5160	.. 34	.. 31	.. 10
15-5290	.. 38	.. 19	.. 12	24-5658	.. 57	.. 3	.. 22
15-5290	.. 38	.. 8	.. 13	24-5860	.. 32	.. 8	.. 9
15-5290	.. 40	.. 23	.. 14	24-5860	.. 38	.. 44	.. 12
15-5664	.. 30	.. 47	.. 8	24-5914	.. 32	.. 40	.. 9
15-5753	.. 32	.. 38	.. 9	24-5914	.. 57	.. 13	.. 22
15-6524	.. 30	.. 57	.. 8	24-6035	.. 34	.. 21	.. 10
15-7161	.. 25	.. 28	.. 6	24-6040	.. 10	.. 36	.. 1
15-7161	.. 42	.. 27	.. 15	24-6040	.. 13	.. 112	.. 1
15-7161	.. 44	.. 31	.. 15	24-6040	.. 13	.. 120	.. 1
15-7161	.. 49	.. 40	.. 18	24-6040	.. 27	.. 75	.. 6
15-7161	.. 51	.. 47	.. 18	24-6040	.. 30	.. 78	.. 8
15-7161	.. 55	.. 11	.. 20	24-6770	.. 30	.. 55	.. 8
15-7161	.. 57	.. 2	.. 21	24-6770	.. 44	.. 52	.. 15
15-7161	.. 60	.. 14	.. 23	24-6770	.. 60	.. 20	.. 23
15-7354	.. 42	.. 23	.. 15	24-7000	.. 16	.. 83	.. 2
15-7354	.. 49	.. 22	.. 18	24-7000	.. 22	.. 52	.. 4
15-7354	.. 51	.. 51	.. 18	24-7000	.. 42	.. 48	.. 14
15-7354	.. 52	.. 23	.. 19	24-7148	.. 52	.. 102	.. 18
15-7383	.. 63	.. 9	.. 25	24-7178	.. 20	.. 120	.. 3
15-7563	.. 23	.. 19	.. 5	24-7178	.. 23	.. 112	.. 4
19-511/37	.. 63	.. 24	.. 25	24-7178	.. 49	.. 11	.. 18
19-512/39	.. 63	.. 24	.. 25	24-7343	.. 30	.. 66	.. 8
19-513/24	.. 63	.. 24	.. 25	24-7343	.. 45	.. 107	.. 15
19-526	.. 63	.. 24	.. 25	24-7343	.. 52	.. 113	.. 18
19-649	.. 63	.. 26	.. 25	24-8045	.. 38	.. 43	.. 12
19-657	.. 63	.. 21	.. 25	24-8328	.. 51	.. 59	.. 18
19-690	.. 63	.. 21	.. 25	24-8328	.. 51	.. 59	.. 18
19-1000	.. 63	.. 35	.. 25	24-8504	.. 47	.. 43	.. 16
19-1106	.. 63	.. 50	.. 25	24-8504	.. 54	.. 74	.. 19
19-1114	.. 63	.. 33	.. 25	24-8784	.. 10	.. 16	.. 1
19-1203	.. 63	.. 27	.. 25	24-8784	.. 13	.. 107	.. 1
19-1207	.. 63	.. 28	.. 25	24-8784	.. 13	.. 113	.. 1
19-1210	.. 63	.. 27	.. 25	24-8784	.. 13	.. 119	.. 1
19-1429	.. 15	.. 36	.. 2	24-8784	.. 13	.. 122	.. 1
19-1472	.. 63	.. 19	.. 25	24-8784	.. 19	.. 98	.. 3
19-1473	.. 15	.. 40	.. 2	24-8784	.. 22	.. 74	.. 4
19-1515	.. 63	.. 14	.. 25	24-8784	.. 25	.. 40	.. 5
19-1552	.. 63	.. —	.. 25	24-8784	.. 30	.. 33	.. 8
19-2012	.. 63	.. 18	.. 25	24-8784	.. 42	.. 1	.. 15
19-2109	.. 63	.. 23	.. 25	24-8784	.. 42	.. 12	.. 15
19-2111	.. 63	.. 23	.. 25	24-8784	.. 42	.. 22	.. 15
19-2111	.. 63	.. 23	.. 25	24-8784	.. 44	.. 33	.. 15
19-2112	.. 63	.. 23	.. 25	24-8784	.. 44	.. 48	.. 15
19-2112	.. 63	.. 23	.. 25	24-8784	.. 47	.. 36	.. 16
19-2121	.. 63	.. 23	.. 25	24-8784	.. 49	.. 6	.. 18
19-2122	.. 63	.. 23	.. 25	24-8784	.. 49	.. 8	.. 18
19-2122	.. 63	.. 23	.. 25	24-8784	.. 49	.. 10	.. 18
19-2123	.. 63	.. 23	.. 25	24-8784	.. 49	.. 18	.. 18
19-2123	.. 63	.. 25	.. 25	24-8784	.. 49	.. 25	.. 18
19-2126	.. 63	.. 20	.. 25	24-8784	.. 51	.. 53	.. 18
21-431	.. 27	.. 67	.. 6	24-8784	.. 51	.. 90	.. 18
21-431	.. 40	.. 5	.. 14	24-8784	.. 51	.. 93	.. 18

NUMERICAL INDEX 'A' GROUP—continued

Part No.	Page	Ref. No.	Plate	Part No.	Page	Ref. No.	Plate
24-8784	..	51	.. 95	..	18		
24-8784	..	52	.. 106	..	18		
24-8784	..	52	.. 8	..	19		
24-8784	..	52	.. 21	..	19		
24-8784	..	60	.. 26	..	23		
24-8784	..	63	.. 6	..	25		
24-8927	..	44	.. 71	..	15		
24-8927	..	63	.. 37	..	25		
24-8930	..	23	.. 12	..	5		
24-8957	..	60	.. 21	..	24		
24-9569	..	54	.. 28	..	19		
24-9570	..	52	.. 26	..	19		
24-9571	..	54	.. 27	..	19		
24-9572	..	54	.. 32	..	19		
24-9573	..	54	.. 29	..	19		
25-5241	..	34	.. 53	..	10		
25-5247	..	34	.. 24	..	10		
25-6014	..	36	.. 27	..	11		
25-6014	..	40	.. 28	..	13		
25-7151	..	16	.. 94	..	2		
25-7180	..	63	.. 16	..	25		
26-650	..	17	.. 24	..	3		
27-410	..	52	.. 109	..	18		
27-1386	..	16	.. 93	..	2		
27-1589	..	15	.. 27	..	2		
27-4258	..	22	.. 60	..	4		
27-4401	..	20	.. 113	..	3		
27-4401	..	23	.. 102	..	4		
27-5135	..	34	.. 14	..	10		
27-5152	..	34	.. 52	..	10		
27-5674	..	52	.. 14	..	19		
27-5676	..	45	.. 5	..	16		
27-5683	..	28	.. 8	..	8		
27-5683	..	55	.. 9	..	20		
27-5690	..	28	.. 29	..	8		
27-5690	..	47	.. 4	..	17		
27-5705	..	30	.. 48	..	8		
27-6037	..	47	.. 52	..	16		
27-6037	..	60	.. 19	..	23		
27-6037	..	60	.. 28	..	23		
27-6275	..	57	.. 6	..	22		
27-6275	..	25	.. 14	..	6		
27-6276	..	30	.. 35	..	8		
27-6810	..	36	.. 5	..	11		
27-6810	..	38	.. 2	..	13		
27-6810	..	40	.. 20	..	14		
27-6813	..	38	.. 32	..	12		
27-8560	..	44	.. 28	..	15		
27-8560	..	44	.. 30	..	15		
27-8560	..	44	.. 70	..	15		
27-8560	..	44	.. 82	..	15		
27-8560	..	45	.. 102	..	15		
27-8560	..	49	.. 38	..	18		
27-8560	..	51	.. 46	..	18		
27-8560	..	51	.. 87	..	18		
27-8560	..	55	.. 2	..	20		
27-8560	..	57	.. 2	..	21		
27-8560	..	63	.. 8	..	25		
27-8560	..	63	.. 10	..	25		
28-243	..	19	.. 70	..	3		
28-243	..	20	.. 112	..	3		
28-243	..	22	.. 63	..	4		
28-243	..	23	.. 100	..	4		
28-2080	..	20	.. 125	..	3		
28-2080	..	23	.. 104	..	4		
28-2080	..	25	.. 5	..	6		
28-2080	..	25	.. 17A	..	6		
28-2080	..	25	.. 26	..	6		
28-2080	..	28	.. 10	..	7		
28-2080	..	28	.. 18	..	8		
28-2080	..	30	.. 62	..	8		
28-2080	..	32	.. 2	..	9		
28-2080	..	36	.. 31	..	11		
28-2080	..	40	.. 39	..	13		
28-2338	..	30	.. 82	..	8		
28-2338	..	34	.. 26	..	10		
28-2338	..	42	.. 20	..	15		
28-2338	..	51	.. 48	..	18		
28-2338	..	51	.. 48	..	18		
28-2338	..	51	.. 80	..	18		
28-2338	..	51	.. 97	..	18		
28-2338	..	54	.. 77	..	19		
28-2338	..	63	.. 36	..	25		
28-4265	..	60	.. 1	..	24		
29-410	..	10	.. 1	..	1		
29-541	..	10	.. 43	..	1		
29-541	..	15	.. 13	..	2		
29-541	..	15	.. 58	..	2		
29-541	..	15	.. 80	..	2		
29-541	..	17	.. 6	..	3		
29-541	..	44	.. 65	..	15		
29-541	..	45	.. 109	..	15		
29-541	..	45	.. 112	..	15		
29-541	..	52	.. 112	..	18		
29-541	..	52	.. 118	..	18		
29-905	..	57	.. 12	..	22		
29-2203	..	15	.. 25	..	2		
29-3250	..	20	.. 129	..	3		
29-3250	..	22	.. 24	..	4		
29-3319	..	17	.. 9	..	3		
29-3319	..	28	.. 24	..	8		
29-3319	..	47	.. 33	..	16		
29-3319	..	63	.. 30	..	25		
29-3319	..	63	.. 43	..	25		
29-3319	..	63	.. 47	..	25		
29-3448	..	22	.. 58	..	4		
29-3449	..	22	.. 57	..	4		
29-3860	..	20	.. 11	..	4		
29-4100	..	44	.. 34	..	15		
29-4101	..	16	.. 100	..	2		
29-4101	..	16	.. 100	..	2		
29-4657	..	47	.. 28	..	16		
29-4661	..	47	.. 30	..	16		
29-4662	..	15	.. 22	..	2		
29-4662	..	47	.. 29	..	16		
29-4664	..	47	.. 32	..	16		
29-4665	..	47	.. 31	..	16		
29-5283	..	34	.. 36	..	10		
29-5289	..	51	.. 60	..	18		
29-5310	..	34	.. 40	..	10		
29-5313	..	34	.. 41	..	10		
29-5315	..	34	.. 8	..	10		
29-5320	..	34	.. 42	..	10		
29-5338	..	34	.. 35	..	10		
29-5347	..	34	.. 43	..	10		
29-5871	..	40	.. 31	..	13		
29-6110	..	57	.. 9	..	22		
29-7368	..	49	.. 29	..	17		
29-7368	..	52	.. 1	..	19		
29-7551	..	25	.. 10	..	6		
29-7551	..	32	.. 12	..	9		
29-7560	..	27	.. 72	..	6		
29-7560	..	30	.. 76	..	8		
29-7561	..	27	.. 76	..	6		
29-7561	..	30	.. 74	..	8		
29-7564	..	27	.. 73	..	6		
29-7564	..	30	.. 75	..	8		
29-7581	..	27	.. 84	..	6		
29-7581	..	30	.. 89	..	8		
29-7583	..	27	.. 85	..	6		
29-7583	..	30	.. 90	..	8		
29-7670	..	44	.. 46	..	15		
29-7670	..	55	.. 13	..	20		
29-7670	..	57	.. 17	..	21		
29-7796	..	13	.. 104	..	1		
29-7898	..	45	.. 7	..	16		
29-7898	..	54	.. 40	..	19		
29-7962	..	44	.. 94	..	15		

NUMERICAL INDEX 'A' GROUP—continued

Part No.	Page	Ref. No.	Plate	Part No.	Page	Ref. No.	Plate
29-7971	.. 44	.. 87	.. 15	36-382	.. 47	.. 55	.. 16
29-7971	.. 45	.. 95	.. 15	36-382	.. 47	.. 58	.. 16
29-8740	.. 28	.. 21	.. 8	36-382	.. 47	.. 6	.. 17
29-8810	.. 45	.. 8	.. 16	36-382	.. 49	.. 32	.. 18
29-8810	.. 54	.. 34	.. 19	36-382	.. 54	.. 67	.. 19
29-8820	.. 45	.. 16	.. 16	36-382	.. 55	.. 14	.. 20
29-8820	.. 54	.. 49	.. 19	36-382	.. 60	.. 23	.. 23
29-9132	.. 45	.. 98	.. 15	36-382	.. 63	.. 40	.. 25
29-9221	.. 63	.. 25	.. 25	36-382	.. 10	.. 37	.. 1
29-9251	.. 60	.. 2	.. 24	36-481	.. 10	.. 28	.. 1
29-9252	.. 60	.. 11	.. 24	42-48	.. 10	.. 13	.. 1
29-9253	.. 60	.. 4	.. 24	42-52	.. 13	.. 116	.. 1
29-9342	.. 63	.. 38	.. 25	42-53	.. 13	.. 123	.. 1
30-196	.. 55	.. 89	.. 19	42-54	.. 13	.. 118	.. 1
30-659	.. 57	.. 16	.. 22	42-55	.. 13	.. 114	.. 1
30-659	.. 57	.. 21	.. 22	42-56	.. 13	.. 117	.. 1
30-733	.. 27	.. 66	.. 6	42-62	.. 13	.. 121	.. 1
30-1194	.. 49	.. 4	.. 18	42-63	.. 13	.. 125	.. 1
31-68	.. 27	.. 39	.. 6	42-2761	.. 10	.. 30	.. 1
31-222	.. 15	.. 75	.. 2	42-2763	.. 10	.. 32	.. 1
31-7275	.. 57	.. 18	.. 22	42-2766	.. 10	.. 30	.. 1
32-194	.. 25	.. 18A	.. 6	42-2768	.. 10	.. 32	.. 1
32-194	.. 36	.. 22	.. 11	42-2774	.. 51	.. 82	.. 18
32-194	.. 40	.. 25	.. 13	42-2775	.. 51	.. 82	.. 18
32-194	.. 49	.. 24	.. 18	42-3006	.. 22	.. 50	.. 4
33-4089	.. 52	.. 114	.. 18	42-3010	.. 20	.. 23	.. 4
35-33	.. 23	.. 20	.. 5	42-3018	.. 22	.. 72	.. 4
35-33	.. 52	.. 11	.. 19	42-3019	.. 22	.. 72	.. 4
35-33	.. 52	.. 17	.. 19	42-3020	.. 22	.. 89	.. 4
35-33	.. 54	.. 79	.. 19	42-3023	.. 22	.. 90	.. 4
35-37	.. 36	.. 26	.. 11	42-3052	.. 23	.. —	.. 5
35-37	.. 40	.. 29	.. 13	42-3054	.. 25	.. 27	.. 5
35-698	.. 25	.. 6	.. 6	42-3056	.. 23	.. 7	.. 5
35-698	.. 40	.. 8	.. 14	42-4071	.. 30	.. 39	.. 8
35-701	.. 36	.. 10	.. 11	42-4074	.. 30	.. 50	.. 8
35-701	.. 36	.. 13	.. 11	42-4075	.. 30	.. 49	.. 8
35-701	.. 38	.. 5	.. 13	42-4076	.. 30	.. 45	.. 8
35-701	.. 40	.. 15	.. 13	42-4077	.. 28	.. 7	.. 8
35-702	.. 17	.. 35	.. 3	42-4078	.. 28	.. 20	.. 8
35-702	.. 22	.. 28	.. 4	42-4080	.. 52	.. 9	.. 19
35-703	.. 12	.. 75	.. 1	42-4102	.. 32	.. 32	.. 9
35-709	.. 13	.. 1	.. 2	42-4112	.. 32	.. 26	.. 9
35-709	.. 22	.. 37	.. 4	42-4115	.. 32	.. 27	.. 9
35-710	.. 27	.. 80	.. 6	42-4116	.. 32	.. 13	.. 9
35-710	.. 30	.. 87	.. 8	42-4117	.. 32	.. 14	.. 9
35-722	.. 27	.. 43	.. 6	42-4132	.. 30	.. 51	.. 8
35-1896	.. 16	.. 88	.. 2	42-4155	.. 32	.. 31	.. 9
35-4005	.. 17	.. 151	.. 2	42-4211	.. 28	.. 17	.. 8
35-4224	.. 15	.. 42	.. 2	42-4272	.. 30	.. 60	.. 8
35-6436	.. 36	.. 10	.. 12	42-4277	.. 28	.. 14	.. 8
35-6436	.. 40	.. 11	.. 14	42-4278	.. 30	.. 36	.. 8
36-382	.. 12	.. 59	.. 1	42-4279	.. 30	.. 36	.. 8
36-382	.. 13	.. 92	.. 1	42-4280	.. 30	.. 37	.. 8
36-382	.. 13	.. 10	.. 2	42-4281	.. 30	.. 37	.. 8
36-382	.. 15	.. 16	.. 2	42-4283	.. 28	.. 15	.. 8
36-382	.. 16	.. 99	.. 2	42-4286	.. 32	.. 25	.. 9
36-382	.. 16	.. 99	.. 2	42-4289	.. 32	.. 21	.. 9
36-382	.. 25	.. 3	.. 6	42-4291	.. 32	.. 22	.. 9
36-382	.. 25	.. 16A	.. 6	42-4292	.. 32	.. 28	.. 9
36-382	.. 27	.. 47	.. 6	42-4294	.. 32	.. 20	.. 9
36-382	.. 27	.. 56	.. 6	42-4297	.. 32	.. 25	.. 9
36-382	.. 27	.. 74	.. 6	42-4299	.. 32	.. 20	.. 9
36-382	.. 30	.. 58	.. 8	42-4300	.. 32	.. 25	.. 9
36-382	.. 30	.. 77	.. 8	42-4302	.. 32	.. 20	.. 9
36-382	.. 30	.. 84	.. 8	42-4309	.. 30	.. 73A	.. 8
36-382	.. 32	.. 24	.. 9	42-4502	.. 30	.. 65	.. 8
36-382	.. 34	.. 28	.. 10	42-4503	.. 30	.. 64	.. 8
36-382	.. 34	.. 32	.. 10	42-4503	.. 30	.. 70	.. 8
36-382	.. 36	.. 20	.. 11	42-4505	.. 30	.. 68	.. 8
36-382	.. 40	.. 23	.. 13	42-4506	.. 30	.. 69	.. 8
36-382	.. 44	.. 35	.. 15	42-4514	.. 30	.. 63	.. 8
36-382	.. 44	.. 38	.. 15	42-4515	.. 30	.. 59	.. 8
36-382	.. 44	.. 56	.. 15	42-4516	.. 30	.. 64	.. 8
36-382	.. 44	.. 79	.. 15	42-4573	.. 28	.. 28	.. 8
36-382	.. 44	.. 91	.. 15	42-4574	.. 28	.. 25	.. 8

NUMERICAL INDEX 'A' GROUP—*continued*

Part No.	Page	Ref. No.	Plate	Part No.	Page	Ref. No.	Plate
42-4582	.. 30	.. 61	.. 8	42-7510	.. 25	.. 37	.. 5
42-4585	.. 28	.. 28	.. 8	42-7701	.. 49	.. 1	.. 18
42-4713	.. 32	.. 4	.. 9	42-7703	.. 52	.. 116	.. 18
42-4714	.. 32	.. 5	.. 9	42-8010	.. 54	.. 35	.. 19
42-4725	.. 32	.. 1	.. 9	42-8011	.. 54	.. 36	.. 19
42-4769	.. 30	.. 80	.. 8	42-8012	.. 54	.. 38	.. 19
42-4772	.. 30	.. 83	.. 8	42-8020	.. 45	.. 23A	.. 16
42-4776	.. 30	.. 85	.. 8	42-8020	.. 54	.. 54	.. 19
42-4804	.. 32	.. 10	.. 9	42-8034	.. 45	.. 24	.. 16
42-4805	.. 32	.. 41	.. 9	42-8034	.. 54	.. 53	.. 19
42-4806	.. 32	.. 9	.. 9	42-8043	.. 54	.. 39	.. 19
42-4808	.. 32	.. 11	.. 9	42-8044	.. 54	.. 39	.. 19
42-4899	.. 60	.. —	.. 23	42-8045	.. 54	.. 39	.. 19
42-4900	.. 60	.. 10	.. 23	42-8046	.. 54	.. 39	.. 19
42-4904	.. 60	.. 5	.. 23	42-8047	.. 54	.. 39	.. 19
42-4905	.. 60	.. 8	.. 23	42-8048	.. 54	.. 39	.. 19
42-4906	.. 57	.. 5	.. 21	42-8051	.. 54	.. 71	.. 19
42-4906	.. 60	.. 4	.. 23	42-8052	.. 54	.. 70	.. 19
42-4907	.. 60	.. 11	.. 23	42-8058	.. 54	.. 69	.. 19
42-4910	.. 60	.. 12	.. 23	42-8070	.. 55	.. 90	.. 19
42-4914	.. 60	.. 13	.. 23	42-8075	.. 55	.. 93	.. 19
42-5005	.. 34	.. —	.. 10	42-8326	.. 51	.. 66	.. 18
42-5010	.. 34	.. 5	.. 10	42-8329	.. 51	.. 70	.. 18
42-5012	.. 34	.. 19	.. 10	42-8330	.. 51	.. 72	.. 18
42-5014	.. 34	.. 23	.. 10	42-8331	.. 51	.. 63	.. 18
42-5015	.. 34	.. 19	.. 10	42-8331	.. 51	.. 71	.. 18
42-5033	.. 34	.. —	.. 10	42-8334	.. 51	.. 49	.. 18
42-5035	.. 34	.. 55	.. 10	42-8339	.. 51	.. 62	.. 18
42-6030	.. 42	.. 46	.. 14	42-8339	.. 52	.. 12	.. 19
42-6033	.. 42	.. 44	.. 14	42-8340	.. 51	.. 65	.. 18
42-6034	.. 40	.. 10	.. 14	42-8341	.. 51	.. 67	.. 18
42-6036	.. 40	.. 7	.. 14	42-8341	.. 51	.. 73	.. 18
42-6037	.. 40	.. 9	.. 14	42-8342	.. 51	.. 41	.. 18
42-6040	.. 32	.. 37	.. 9	42-8343	.. 51	.. 50	.. 18
42-6045	.. 42	.. 51	.. 14	42-8346	.. 51	.. 54	.. 18
42-6046	.. 42	.. 50	.. 14	42-8347	.. 51	.. 55	.. 18
42-6759	.. 51	.. 57	.. 18	42-8351	.. 51	.. 76A	.. 18
42-6759	.. 51	.. 57	.. 18	42-8367	.. 51	.. 44	.. 18
42-6761	.. 52	.. 98	.. 18	42-9009	.. 63	.. 3	.. 25
42-6762	.. 52	.. 98	.. 18	42-9012	.. 63	.. 13	.. 25
42-6763	.. 32	.. 17	.. 9	42-9026	.. 60	.. 7	.. 24
42-6782	.. 52	.. 101	.. 18	42-9027	.. 63	.. 31	.. 25
42-6782	.. 52	.. 101	.. 18	42-9031	.. 60	.. 20	.. 24
42-6783	.. 52	.. 103	.. 18	42-9032	.. 30	.. 67	.. 8
42-6799	.. 52	.. 18	.. 19	42-9033	.. 40	.. 13	.. 14
42-6820	.. 52	.. 105	.. 18	42-9038	.. 52	.. 6	.. 19
42-6822	.. 51	.. 91	.. 18	42-9045	.. 63	.. 2	.. 25
42-6824	.. 51	.. 91	.. 18	42-9057	.. 54	.. 81	.. 19
42-6839	.. 52	.. 104	.. 18	42-9058	.. 54	.. 80	.. 19
42-6841	.. 52	.. 104	.. 18	42-9060	.. 54	.. 75	.. 19
42-6853	.. 51	.. 56	.. 18	42-9061	.. 52	.. 15	.. 19
42-6853	.. 51	.. 56	.. 18	42-9063	.. 54	.. 81	.. 19
42-6856	.. 52	.. 104	.. 18	42-9072	.. 52	.. 19	.. 19
42-6858	.. 51	.. 91	.. 18	42-9075	.. 60	.. 22	.. 23
42-6860	.. 51	.. 91	.. 18	42-9080	.. 60	.. 18	.. 24
42-6920	.. 60	.. 18	.. 23	65-109	.. 23	.. 18	.. 5
42-7003	.. 54	.. 84	.. 19	65-114	.. 10	.. 47	.. 1
42-7007	.. 52	.. 5	.. 19	65-213	.. 10	.. 46	.. 1
42-7012	.. 55	.. 87	.. 19	65-292	.. 49	.. 2	.. 18
42-7205	.. 57	.. —	.. 21	65-292	.. 52	.. 7	.. 19
42-7206	.. 57	.. 14	.. 21	65-311	.. 10	.. 27	.. 1
42-7207	.. 57	.. 3	.. 21	65-317	.. 10	.. 12	.. 1
42-7208	.. 57	.. 10	.. 21	65-440	.. 12	.. 64	.. 1
42-7208	.. 57	.. 16	.. 21	65-615	.. 12	.. 85	.. 1
42-7210	.. 57	.. 7	.. 21	65-695	.. 32	.. 39	.. 9
42-7211	.. 57	.. 8	.. 21	65-1162	.. 12	.. 57	.. 1
42-7212	.. 57	.. 9	.. 21	65-1232	.. 12	.. 57	.. 1
42-7503	.. 23	.. 23	.. 5	65-1232	.. 12	.. 57	.. 1
42-7504	.. 23	.. 24	.. 5	65-1340	.. 10	.. 47	.. 1
42-7506	.. 25	.. 38	.. 5	65-2060	.. 42	.. 4	.. 15
42-7507	.. 25	.. 29	.. 5	65-2060	.. 44	.. 89	.. 15
42-7509	.. 25	.. 39	.. 5	65-2060	.. 45	.. 97	.. 15
				65-2153	.. 10	.. 9	.. 1

NUMERICAL INDEX 'A' GROUP—*continued*

Part No.	Page	Ref. No.	Plate	Part No.	Page	Ref. No.	Plate
65-2157	.. 22	.. 43	.. 4	65-5883	.. 36	.. 6	.. 11
65-2252	.. 15	.. 71	.. 2	65-5883	.. 38	.. 21	.. 12
65-2352	.. 15	.. 24	.. 2	65-5883	.. 38	.. 30	.. 12
65-2352	.. 45	.. 27	.. 16	65-5883	.. 38	.. 7	.. 13
65-2353	.. 47	.. 39	.. 16	65-5883	.. 40	.. 13	.. 13
65-3061	.. 22	.. 27	.. 4	65-5883	.. 40	.. 14	.. 14
65-3063	.. 15	.. 49	.. 2	65-5883	.. 42	.. 25	.. 14
65-3063	.. 23	.. 3	.. 5	65-5884	.. 38	.. 29	.. 12
65-3337	.. 19	.. 84	.. 3	65-5884	.. 42	.. 35	.. 14
65-3360	.. 19	.. 40	.. 3	65-5885	.. 40	.. 19	.. 14
65-3360	.. 22	.. 31	.. 4	65-5886	.. 42	.. 27	.. 14
65-3361	.. 20	.. 126	.. 3	65-5887	.. 42	.. 26	.. 14
65-3361	.. 22	.. 26	.. 4	65-5890	.. 42	.. 29	.. 14
65-3364	.. 17	.. 142	.. 2	65-5899	.. 38	.. 42	.. 12
65-3364	.. 25	.. 36	.. 5	65-5901	.. 36	.. 9	.. 12
65-3375	.. 17	.. 32	.. 3	65-5901	.. 42	.. 43	.. 14
65-3375	.. 22	.. 81	.. 4	65-5903	.. 36	.. 11	.. 12
65-3377	.. 17	.. 34	.. 3	65-5903	.. 40	.. 12	.. 14
65-3377	.. 22	.. 79	.. 4	65-5904	.. 36	.. 33	.. 11
65-3381	.. 23	.. 115	.. 4	65-5904	.. 38	.. 41	.. 12
65-3381	.. 20	.. 119	.. 3	65-5904	.. 40	.. 19	.. 13
65-3390	.. 17	.. 31	.. 3	65-5904	.. 42	.. 42	.. 14
65-3390	.. 22	.. 82	.. 4	65-5905	.. 36	.. 8	.. 12
65-3391	.. 17	.. 29	.. 3	65-5907	.. 36	.. 30	.. 11
65-3391	.. 22	.. 84	.. 4	65-5907	.. 40	.. 38	.. 13
65-3392	.. 17	.. 30	.. 3	65-5912	.. 63	.. 49	.. 25
65-3392	.. 22	.. 83	.. 4	65-6274	.. 49	.. 27	.. 17
65-3397	.. 20	.. 130	.. 3	65-6274	.. 52	.. 2	.. 19
65-3397	.. 23	.. 116	.. 4	65-6576	.. 47	.. 15	.. 17
65-3403	.. 17	.. 39	.. 3	65-6576	.. 49	.. 39	.. 18
65-3403	.. 22	.. 30	.. 4	65-6605	.. 49	.. 18	.. 17
65-3417	.. 20	.. 128	.. 3	65-6606	.. 42	.. 19	.. 15
65-3822	.. 25	.. 33	.. 5	65-6606	.. 54	.. 61	.. 19
65-3824	.. 25	.. 30	.. 5	65-6606	.. 49	.. 20	.. 17
65-3833	.. 23	.. 14	.. 5	65-6607	.. 49	.. 19	.. 17
65-3857	.. 25	.. 31	.. 5	65-6608	.. 49	.. 23	.. 17
65-3858	.. 23	.. 8	.. 5	65-8038	.. 16	.. 125	.. 2
65-3872	.. 23	.. 26	.. 5	65-8201	.. 47	.. 12	.. 17
65-3873	.. 23	.. 13	.. 5	65-8205	.. 47	.. 10	.. 17
65-3910	.. 23	.. 10	.. 5	65-8205	.. 54	.. 72	.. 19
65-3911	.. 23	.. 9	.. 5	65-8206	.. 47	.. 10	.. 17
65-3912	.. 25	.. 28	.. 5	65-8206	.. 54	.. 72	.. 19
65-4182	.. 28	.. 1	.. 8	65-8220	.. 45	.. 23	.. 16
65-4182	.. 28	.. 13	.. 8	65-8220	.. 54	.. 56	.. 19
65-4185	.. 32	.. 19	.. 9	65-8317	.. 45	.. 22	.. 16
65-4185	.. 60	.. 9	.. 23	65-8317	.. 54	.. 57	.. 19
65-4727	.. 32	.. 3	.. 9	65-8326	.. 45	.. 6	.. 16
65-4742	.. 27	.. 79	.. 6	65-8420	.. 42	.. 6	.. 15
65-4742	.. 30	.. 88	.. 8	65-8421	.. 42	.. 8	.. 15
65-4811	.. 32	.. 42	.. 9	65-8422	.. 42	.. 3	.. 15
65-4960	.. 45	.. 18	.. 16	65-8422	.. 42	.. 5	.. 15
65-4960	.. 54	.. 42	.. 19	65-8422	.. 44	.. 81	.. 15
65-5111	.. 42	.. 47	.. 14	65-8422	.. 44	.. 88	.. 15
65-5126	.. 34	.. 16	.. 10	65-8422	.. 44	.. 90	.. 15
65-5127	.. 34	.. 18	.. 10	65-8422	.. 45	.. 99	.. 15
65-5295	.. 34	.. 45	.. 10	65-8424	.. 42	.. 7	.. 15
65-5327	.. 34	.. 51	.. 10	65-8500	.. 44	.. 51	.. 15
65-5328	.. 34	.. 25	.. 10	65-8500	.. 51	.. 42	.. 18
65-5331	.. 34	.. 6	.. 10	65-8501	.. 45	.. 9	.. 16
65-5332	.. 34	.. 7	.. 10	65-8501	.. 54	.. 33	.. 19
65-5333	.. 34	.. 13	.. 10	65-8502	.. 54	.. 48	.. 19
65-5334	.. 34	.. 11	.. 10	65-8502	.. 45	.. 15	.. 16
65-5380	.. 34	.. 22	.. 10	65-8503	.. 52	.. 24	.. 19
65-5390	.. 34	.. 38	.. 10	65-8504	.. 52	.. 25	.. 19
65-5391	.. 34	.. 38	.. 10	65-8505	.. 54	.. 30	.. 19
65-5420	.. 34	.. 44	.. 10	65-8506	.. 54	.. 31	.. 19
65-5424	.. 34	.. 39	.. 10	65-8675	.. 45	.. 19	.. 16
65-5430	.. 34	.. 5	.. 10	65-8714	.. 45	.. 13	.. 16
65-5435	.. 34	.. 33	.. 10	65-8714	.. 54	.. 46	.. 19
65-5448	.. 34	.. 55	.. 10	65-9125	.. 60	.. 13	.. 24
65-5674	.. 36	.. 6	.. 12	65-9205	.. 60	.. 6	.. 24
65-5674	.. 40	.. 4	.. 14	65-9228	.. 63	.. 48	.. 25
65-5883	.. 42	.. 36	.. 14	65-9231	.. 63	.. 45	.. 25
65-5883	.. 36	.. 1	.. 11	65-9235	.. 63	.. 32	.. 25

NUMERICAL INDEX 'A' GROUP—*continued*

Part No.	Page	Ref. No.	Plate	Part No.	Page	Ref. No.	Plate
65-9240	..	60	.. 14	..	24		
65-9243	..	60	.. 19	..	24		
65-9245	..	60	.. 8	..	24		
65-9246	..	60	.. 9	..	24		
65-9267	..	63	.. 22	..	25		
65-9271	..	28	.. 19	..	8		
66-102	..	10	.. 48	..	1		
66-954	..	12	.. 63	..	1		
66-1683	..	15	.. 70	..	2		
66-2010	..	32	.. 23	..	9		
66-3074	..	15	.. 44	..	2		
66-3074	..	16	.. 132	..	2		
66-3074	..	20	.. 109	..	3		
66-3074	..	23	.. 97	..	4		
66-3074	..	23	.. 22	..	5		
66-3781	..	23	.. 6	..	5		
66-3787	..	25	.. 34	..	5		
66-3800	..	23	.. 5	..	5		
66-3891	..	23	.. 11	..	5		
66-3903	..	25	.. 32	..	5		
66-4149	..	28	.. 16	..	8		
66-4163	..	30	.. 38	..	8		
66-4175	..	25	.. 32	..	6		
66-4603	..	28	.. 18	..	7		
66-4707	..	16	.. 120	..	2		
66-4707	..	17	.. 150	..	2		
66-4707	..	25	.. 12	..	6		
66-4707	..	25	.. 24	..	6		
66-4707	..	27	.. 40	..	6		
66-4707	..	27	.. 49	..	6		
66-4707	..	28	.. 7	..	7		
66-4707	..	28	.. 22	..	8		
66-4707	..	32	.. 34	..	9		
66-4707	..	45	.. 20	..	16		
66-4707	..	47	.. 41	..	16		
66-4707	..	55	.. 86	..	19		
66-4708	..	25	.. 21	..	6		
66-4708	..	25	.. 25	..	6		
66-4708	..	27	.. 65	..	6		
66-4708	..	36	.. 29	..	11		
66-4708	..	36	.. 2	..	12		
66-4708	..	40	.. 36	..	13		
66-4708	..	40	.. 2	..	14		
66-4708	..	57	.. 17	..	22		
66-4708	..	57	.. 20	..	22		
66-4822	..	57	.. 22	..	22		
66-4823	..	57	.. 22	..	22		
66-5089	..	34	.. 19	..	10		
66-5097	..	34	.. 8	..	10		
66-5204	..	34	.. 15	..	10		
66-7351	..	55	.. 16	..	20		
66-7353	..	55	.. 1	..	20		
66-7353	..	57	.. 15	..	21		
66-7363	..	57	.. 11	..	22		
66-7518	..	44	.. 29	..	15		
66-7520	..	23	.. 25	..	5		
66-7523	..	23	.. 15	..	5		
66-8810	..	45	.. 14	..	16		
66-8810	..	54	.. 47	..	19		
66-8896	..	45	.. 10	..	16		
66-8896	..	54	.. 45	..	19		
66-9132	..	60	.. 16	..	24		
67-31	..	10	.. 5	..	1		
67-33	..	10	.. 6	..	1		
67-34	..	10	.. 2	..	1		
67-42	..	16	.. 141	..	2		
67-42	..	25	.. 35	..	5		
67-42	..	44	.. 50	..	15		
67-42	..	51	.. 43	..	18		
67-56	..	10	.. 24	..	1		
67-60	..	10	.. 21	..	1		
67-61	..	10	.. 29	..	1		
67-62	..	10	.. 22	..	1		
67-64	..	10	.. 20	..	1		
67-74	..	15	.. 14	..	2		
67-74	..	15	.. 20	..	2		
67-101	..	12	.. 63	..	1		
67-101	..	12	.. 63	..	1		
67-120	..	12	.. 58	..	1		
67-130	..	15	.. 79	..	2		
67-132	..	15	.. 48	..	2		
67-133	..	15	.. 47	..	2		
67-133	..	15	.. 50	..	2		
67-134	..	16	.. 82	..	2		
67-135	..	16	.. 82	..	2		
67-136	..	16	.. 82	..	2		
67-137	..	16	.. 82	..	2		
67-226	..	12	.. 74	..	1		
67-254	..	10	.. 39	..	1		
67-255	..	12	.. 49	..	1		
67-256	..	12	.. 50	..	1		
67-258	..	10	.. 40	..	1		
67-259	..	10	.. 15	..	1		
67-261	..	10	.. 17	..	1		
67-263	..	10	.. 11	..	1		
67-264	..	10	.. 33	..	1		
67-265	..	10	.. 31	..	1		
67-266	..	10	.. 23	..	1		
67-267	..	10	.. 26	..	1		
67-268	..	12	.. 87	..	1		
67-276	..	13	.. 96	..	1		
67-277	..	10	.. 18	..	1		
67-278	..	12	.. 53	..	1		
67-279	..	10	.. 8	..	1		
67-280	..	12	.. 56	..	1		
67-281	..	15	.. 28	..	2		
67-282	..	15	.. 45	..	2		
67-283	..	12	.. 52	..	1		
67-283	..	12	.. 52	..	1		
67-284	..	15	.. 35	..	2		
67-286	..	15	.. 77	..	2		
67-287	..	15	.. 46	..	2		
67-296	..	15	.. 37	..	2		
67-297	..	12	.. 77	..	1		
67-298	..	13	.. 88	..	1		
67-299	..	13	.. 97	..	1		
67-301	..	12	.. 73	..	1		
67-302	..	12	.. 79	..	1		
67-311	..	12	.. 62	..	1		
67-314	..	12	.. 61	..	1		
67-317	..	12	.. 66	..	1		
67-320	..	12	.. 68	..	1		
67-323	..	10	.. 7	..	1		
67-324	..	10	.. 19	..	1		
67-331	..	13	.. 94	..	1		
67-332	..	13	.. 98	..	1		
67-333	..	13	.. 99	..	1		
67-334	..	16	.. 89	..	2		
67-335	..	15	.. 78	..	2		
67-337	..	16	.. 85	..	2		
67-339	..	13	.. 89	..	1		
67-340	..	16	.. 107	..	2		
67-343	..	12	.. 55	..	1		
67-346	..	10	.. 35	..	1		
67-347	..	10	.. 34	..	1		
67-350	..	15	.. 18	..	2		
67-350	..	30	.. 34	..	8		
67-352	..	16	.. 101	..	2		
67-352	..	16	.. 101	..	2		
67-352	..	17	.. 147	..	2		
67-353	..	15	.. 26	..	2		
67-354	..	25	.. 15A	..	6		
67-355	..	15	.. 17	..	2		
67-356	..	16	.. 89	..	2		
67-360	..	13	.. 101	..	1		
67-362	..	13	.. 100	..	1		
67-382	..	12	.. 49	..	1		
67-382	..	12	.. 49	..	1		

NUMERICAL INDEX 'A' GROUP—continued

Part No.	Page	Ref. No.	Plate	Part No.	Page	Ref. No.	Plate
67-384	..	12	.. 86	..	13	.. 4	.. 2
67-386	..	12	.. 66	..	13	.. 3	.. 2
67-389	..	12	.. 87	..	13	.. 2	.. 2
67-392	..	12	.. 64	..	17	.. 156	.. 2
67-392	..	12	.. 64	..	17	.. 153	.. 2
67-393	..	13	.. 88	..	15	.. 19	.. 2
67-394	..	10	.. 7	..	16	.. 136	.. 2
67-395	..	10	.. 19	..	16	.. 137	.. 2
67-396	..	13	.. 101	..	16	.. 135	.. 2
67-398	..	13	.. 100	..	16	.. 134	.. 2
67-407	..	12	.. 62	..	12	.. 54	.. 1
67-407	..	12	.. 62	..	12	.. 54	.. 1
67-410	..	12	.. 61	..	13	.. 110	.. 1
67-410	..	12	.. 61	..	15	.. 11	.. 2
67-423	..	12	.. 65	..	25	.. 13	.. 6
67-439	..	10	.. 4	..	13	.. 8	.. 2
67-440	..	10	.. 3	..	13	.. 7	.. 2
67-450	..	10	.. 13	..	16	.. 127	.. 2
67-453	..	17	.. 146	..	16	.. 128	.. 2
67-455	..	17	.. 148	..	16	.. 126	.. 2
67-460	..	12	.. 65	..	16	.. 124	.. 2
67-527	..	12	.. 58	..	16	.. 130	.. 2
67-529	..	10	.. 47	..	16	.. 129	.. 2
67-531	..	10	.. 7	..	16	.. 109	.. 2
67-532	..	10	.. 19	..	16	.. 108	.. 2
67-533	..	12	.. 65	..	15	.. 73	.. 2
67-540	..	16	.. 112	..	15	.. 74	.. 2
67-566	..	13	.. 127	..	15	.. 15	.. 2
67-642	..	12	.. 82	..	28	.. 32	.. 8
67-643	..	12	.. 80	..	15	.. 59	.. 2
67-644	..	12	.. 81	..	15	.. 56	.. 2
67-645	..	13	.. 90	..	15	.. 55	.. 2
67-648	..	12	.. 83	..	15	.. 64	.. 2
67-664	..	12	.. 86	..	15	.. 60	.. 2
67-670	..	12	.. 70	..	15	.. 61	.. 2
67-671	..	12	.. 69	..	15	.. 54	.. 2
67-672	..	12	.. 69	..	15	.. 53	.. 2
67-674	..	12	.. 72	..	15	.. 51	.. 2
67-685	..	16	.. 84	..	15	.. 62	.. 2
67-686	..	16	.. 87	..	15	.. 63	.. 2
67-686	..	16	.. 90	..	15	.. 65	.. 2
67-686	..	16	.. 91	..	15	.. 67	.. 2
67-707	..	16	.. 92	..	15	.. 66	.. 2
67-708	..	15	.. 76	..	15	.. 68	.. 2
67-721	..	15	.. 41	..	16	.. 104	.. 2
67-727	..	15	.. 38	..	16	.. 103	.. 2
67-729	..	15	.. 39	..	16	.. 118	.. 2
67-922	..	16	.. 96	..	16	.. 121	.. 2
67-923	..	16	.. 95	..	16	.. 122	.. 2
67-1033	..	12	.. 67	..	16	.. 119	.. 2
67-1034	..	12	.. 76	..	17	.. 152	.. 2
67-1061	..	10	.. 41	..	15	.. 32	.. 2
67-1063	..	10	.. 41	..	15	.. 33	.. 2
67-1065	..	10	.. 41	..	15	.. 29	.. 2
67-1070	..	13	.. 93	..	15	.. 30	.. 2
67-1074	..	13	.. 93	..	15	.. 34	.. 2
67-1085	..	16	.. 102	..	16	.. 139	.. 2
67-1087	..	16	.. 106	..	16	.. 140	.. 2
67-1093	..	15	.. 72	..	16	.. 138	.. 2
67-1097	..	13	.. 6	..	16	.. 131	.. 2
67-1098	..	13	.. 2	..	17	.. 145	.. 2
67-1101	..	13	.. 126	..	20	.. 117	.. 3
67-1110	..	10	.. 5	..	23	.. 103	.. 4
67-1112	..	13	.. 106	..	16	.. 133	.. 2
67-1114	..	12	.. 52	..	20	.. 123	.. 3
67-1115	..	10	.. 39	..	23	.. 1	.. 5
67-1116	..	10	.. 39	..	17	.. 144	.. 2
67-1117	..	13	.. 111	..	23	.. 2	.. 5
67-1118	..	13	.. 103	..	17	.. 154	.. 2
67-1119	..	13	.. 109	..	44	.. 74	.. 15
67-1120	..	13	.. 105	..	17	.. 143	.. 2
67-1132	..	13	.. 5	..	23	.. 1	.. 5
67-1133	..	13	.. 5	..	15	.. 23	.. 2
67-1134	..	17	.. 155	..	16	.. 86	.. 2
67-1135	..	13	.. 4	..	16	.. 86	.. 2
67-1136	..	13	.. 3
67-1137	..	13	.. 2
67-1138	..	17	.. 156
67-1235	..	17	.. 153
67-1236	..	15	.. 19
67-1241	..	16	.. 136
67-1242	..	16	.. 137
67-1243	..	16	.. 135
67-1244	..	16	.. 134
67-1245	..	12	.. 54
67-1245	..	12	.. 54
67-1245	..	13	.. 110
67-1245	..	15	.. 11
67-1251	..	25	.. 13
67-1258	..	13	.. 8
67-1259	..	13	.. 7
67-1261	..	16	.. 127
67-1262	..	16	.. 128
67-1263	..	16	.. 126
67-1264	..	16	.. 124
67-1266	..	16	.. 130
67-1268	..	16	.. 129
67-1280	..	16	.. 109
67-1281	..	16	.. 108
67-1285	..	15	.. 73
67-1288	..	15	.. 74
67-1292	..	15	.. 15
67-1292	..	28	.. 32
67-1382	..	15	.. 59
67-1383	..	15	.. 56
67-1384	..	15	.. 55
67-1385	..	15	.. 64
67-1386	..	15	.. 60
67-1387	..	15	.. 61
67-1388	..	15	.. 54
67-1389	..	15	.. 53
67-1390	..	15	.. 51
67-1391	..	15	.. 62
67-1392	..	15	.. 63
67-1393	..	15	.. 65
67-1394	..	15	.. 67
67-1395	..	15	.. 66
67-1396	..	15	.. 68
67-1400	..	16	.. 104
67-1401	..	16	.. 103
67-1461	..	16	.. 118
67-1463	..	16	.. 121
67-1466	..	16	.. 122
67-1467	..	16	.. 119
67-1467	..	17	.. 152
67-1496	..	15	.. 32
67-1498	..	15	.. 33
67-1499	..	15	.. 29
67-1503	..	15	.. 30
67-1505	..	15	.. 34
67-1701	..	16	.. 139
67-1702	..	16	.. 140
67-1703	..	16	.. 138
67-1704	..	16	.. 131
67-1705	..	17	.. 145
67-1705	..	20	.. 117
67-1705	..	23	.. 103
67-1706	..	16	.. 133
67-1706	..	20	.. 123
67-1706	..	23	.. 1
67-1709	..	17	.. 144
67-1709	..	23	.. 2
67-1710	..	17	.. 154
67-1710	..	44	.. 74
67-1711	..	17	.. 143
67-1711	..	23	.. 1
67-1876	..	15	.. 23
67-1882	..	16	.. 86

NUMERICAL INDEX 'A' GROUP—continued

Part No.	Page	Ref. No.	Plate	Part No.	Page	Ref. No.	Plate
67-2050	.. 16	.. 114	.. 2	67-3134	.. 19	.. 52	.. 3
67-2054	.. 16	.. 117	.. 2	67-3135	.. 19	.. 51	.. 3
67-2055	.. 16	.. 115	.. 2	67-3136	.. 19	.. 54	.. 3
67-2056	.. 12	.. 71	.. 1	67-3137	.. 17	.. 5	.. 3
67-2057	.. 12	.. 71	.. 1	67-3140	.. 19	.. 42	.. 3
67-2058	.. 12	.. 71	.. 1	67-3143	.. 19	.. 44	.. 3
67-2062	.. 13	.. 3	.. 2	67-3144	.. 19	.. 47	.. 3
67-2062	.. 16	.. 116	.. 2	67-3145	.. 19	.. 46	.. 3
67-2071	.. 16	.. 113	.. 2	67-3146	.. 19	.. 45	.. 3
67-2675	.. 10	.. 30	.. 1	67-3147	.. 19	.. 43	.. 3
67-2679	.. 10	.. 32	.. 1	67-3151	.. 19	.. 95	.. 3
67-2694	.. 10	.. 44	.. 1	67-3151	.. 22	.. 75	.. 4
67-2711	.. 45	.. 110	.. 15	67-3152	.. 19	.. 99	.. 3
67-2720	.. 10	.. 30	.. 1	67-3152	.. 22	.. 76	.. 4
67-2722	.. 10	.. 32	.. 1	67-3153	.. 19	.. 91	.. 3
67-3014	.. 17	.. 1	.. 3	67-3153	.. 22	.. 86	.. 4
67-3017	.. 19	.. 57	.. 3	67-3161	.. 20	.. 102	.. 3
67-3021	.. 20	.. 114	.. 3	67-3161	.. 20	.. 16	.. 4
67-3023	.. 19	.. 71	.. 3	67-3162	.. 20	.. 103	.. 3
67-3023	.. 22	.. 61	.. 4	67-3162	.. 20	.. 18	.. 4
67-3024	.. 20	.. 121	.. 3	67-3163	.. 20	.. 108	.. 3
67-3024	.. 23	.. 110	.. 4	67-3163	.. 20	.. 22	.. 4
67-3026	.. 20	.. 1	.. 4	67-3164	.. 20	.. 107	.. 3
67-3026	.. 19	.. 68	.. 3	67-3164	.. 20	.. 21	.. 4
67-3027	.. 17	.. 3	.. 3	67-3167	.. 20	.. 106	.. 3
67-3028	.. 20	.. 101	.. 3	67-3167	.. 20	.. 20	.. 4
67-3028	.. 20	.. 15	.. 4	67-3168	.. 20	.. 105	.. 3
67-3031	.. 17	.. 2	.. 3	67-3168	.. 20	.. 19	.. 4
67-3032	.. 20	.. 110	.. 3	67-3169	.. 20	.. 104	.. 3
67-3033	.. 20	.. 122	.. 3	67-3169	.. 20	.. 17	.. 4
67-3033	.. 23	.. 109	.. 4	67-3170	.. 19	.. 50	.. 3
67-3034	.. 23	.. 106	.. 4	67-3170	.. 22	.. 42	.. 4
67-3053	.. 17	.. 26	.. 3	67-3173	.. 19	.. 94A	.. 3
67-3053	.. 22	.. 56	.. 4	67-3173	.. 22	.. 85	.. 4
67-3061	.. 19	.. 73	.. 3	67-3174	.. 19	.. 92	.. 3
67-3064	.. 17	.. 28	.. 3	67-3174	.. 22	.. 88	.. 4
67-3065	.. 17	.. 28	.. 3	67-3175	.. 17	.. 33	.. 3
67-3065	.. 22	.. 54	.. 4	67-3175	.. 22	.. 80	.. 4
67-3067	.. 19	.. 67	.. 3	67-3176	.. 20	.. 124	.. 3
67-3067	.. 20	.. 2	.. 4	67-3176	.. 23	.. 107	.. 4
67-3073	.. 20	.. 4	.. 4	67-3178	.. 19	.. 94	.. 3
67-3073	.. 19	.. 65	.. 3	67-3178	.. 22	.. 77	.. 4
67-3080	.. 19	.. 64	.. 3	67-3180	.. 22	.. 32	.. 4
67-3080	.. 20	.. 6	.. 4	67-3180	.. 19	.. 41	.. 3
67-3088	.. 19	.. 89	.. 3	67-3183	.. 19	.. 72	.. 3
67-3088	.. 22	.. 78	.. 4	67-3190	.. 19	.. 73	.. 3
67-3093	.. 19	.. 96	.. 3	67-3191	.. 19	.. 58	.. 3
67-3093	.. 23	.. 94	.. 4	67-3191	.. 20	.. 13	.. 4
67-3097	.. 19	.. 83	.. 3	67-3192	.. 19	.. 63	.. 3
67-3099	.. 19	.. 88	.. 3	67-3192	.. 20	.. 5	.. 4
67-3099	.. 23	.. 96	.. 4	67-3194	.. 19	.. 86	.. 3
67-3101	.. 19	.. 75	.. 3	67-3195	.. 19	.. 86	.. 3
67-3101	.. 19	.. 85	.. 3	67-3196	.. 19	.. 80	.. 3
67-3101	.. 20	.. 12	.. 4	67-3197	.. 19	.. 81	.. 3
67-3101	.. 22	.. 71	.. 4	67-3198	.. 19	.. 82	.. 3
67-3112	.. 17	.. 4	.. 3	67-3198	.. 22	.. 91	.. 4
67-3113	.. 19	.. 55	.. 3	67-3199	.. 19	.. 76	.. 3
67-3116	.. 19	.. 60	.. 3	67-3199	.. 19	.. 83	.. 3
67-3116	.. 22	.. 49	.. 4	67-3199	.. 23	.. 93	.. 4
67-3117	.. 19	.. 61	.. 3	67-3201	.. 19	.. 62	.. 3
67-3117	.. 22	.. 53	.. 4	67-3201	.. 20	.. 7	.. 4
67-3119	.. 22	.. 64	.. 4	67-3202	.. 19	.. 59	.. 3
67-3120	.. 19	.. 79	.. 3	67-3202	.. 20	.. 8	.. 4
67-3120	.. 22	.. 67	.. 4	67-3203	.. 19	.. 87	.. 3
67-3121	.. 19	.. 77	.. 3	67-3203	.. 22	.. 92	.. 4
67-3121	.. 22	.. 65	.. 4	67-3204	.. 19	.. 56	.. 3
67-3122	.. 19	.. 78	.. 3	67-3204	.. 22	.. 69	.. 4
67-3122	.. 22	.. 66	.. 4	67-3206	.. 19	.. 73	.. 3
67-3128	.. 19	.. 90	.. 3	67-3207	.. 19	.. 63	.. 3
67-3128	.. 23	.. 95	.. 4	67-3209	.. 19	.. 62	.. 3
67-3130	.. 19	.. 47	.. 3	67-3210	.. 19	.. 62	.. 3
67-3131	.. 19	.. 48	.. 3	67-3211	.. 19	.. 82	.. 3
67-3132	.. 19	.. 53	.. 3	67-3212	.. 19	.. 82	.. 3
67-3133	.. 19	.. 49	.. 3	67-3230	.. 22	.. 70	.. 4

NUMERICAL INDEX 'A' GROUP—continued

Part No.	Page	Ref. No.	Plate	Part No.	Page	Ref. No.	Plate
67-3237	.. 17	.. 22	.. 3	67-4847	.. 27	.. 77	.. 6
67-3240	.. 17	.. 19	.. 3	67-4848	.. 25	.. 4	.. 6
67-3241	.. 17	.. 16	.. 3	67-4851	.. 25	.. 8	.. 6
67-3242	.. 17	.. 17	.. 3	67-4852	.. 25	.. 9	.. 6
67-3244	.. 17	.. 18	.. 3	67-4856	.. 25	.. 9	.. 6
67-3245	.. 17	.. 15	.. 3	67-4873	.. 57	.. 14	.. 22
67-3247	.. 17	.. 13	.. 3	67-4875	.. 57	.. 15	.. 22
67-3248	.. 17	.. 14	.. 3	67-4902	.. 27	.. 83	.. 6
67-3249	.. 17	.. 12	.. 3	67-4903	.. 27	.. 83	.. 6
67-3251	.. 19	.. 74	.. 3	67-4907	.. 27	.. 82	.. 6
67-3253	.. 17	.. 21	.. 3	67-4907	.. 30	.. 81	.. 8
67-3257	.. 17	.. 20	.. 3	67-4919	.. 57	.. —	.. 22
67-3263	.. 17	.. 11	.. 3	67-4920	.. 57	.. 5	.. 22
67-3264	.. 17	.. 10	.. 3	67-4925	.. 57	.. 4	.. 22
67-3266	.. 17	.. 8	.. 3	67-4926	.. 57	.. —	.. 22
67-3271	.. 17	.. 23	.. 3	67-4928	.. 57	.. 8	.. 22
67-3276	.. 17	.. 25	.. 3	67-4932	.. 57	.. 7	.. 22
67-3277	.. 17	.. 25	.. 3	67-5009	.. 34	.. 37	.. 10
67-3278	.. 17	.. 25	.. 3	67-5021	.. 34	.. 20	.. 10
67-3327	.. 22	.. 68	.. 4	67-5023	.. 34	.. 10	.. 10
67-3328	.. 22	.. 51	.. 4	67-5024	.. 34	.. 9	.. 10
67-3329	.. 20	.. 9	.. 4	67-5050	.. 34	.. 44	.. 10
67-3330	.. 20	.. 9	.. 4	67-5057	.. 34	.. 47	.. 10
67-3332	.. 22	.. 48	.. 4	67-5077	.. 34	.. —	.. 10
67-3335	.. 22	.. 38	.. 4	67-5080	.. 34	.. 2	.. 10
67-3340	.. 22	.. 36	.. 4	67-5084	.. 34	.. 4	.. 10
67-3341	.. 22	.. 39	.. 4	67-5087	.. 34	.. 1	.. 10
67-3342	.. 22	.. 40	.. 4	67-5088	.. 34	.. 3	.. 10
67-3344	.. 22	.. 44	.. 4	67-5103	.. 34	.. —	.. 10
67-3346	.. 22	.. 46	.. 4	67-5542	.. 36	.. —	.. 11
67-3347	.. 22	.. 47	.. 4	67-5542	.. 38	.. —	.. 13
67-3350	.. 22	.. 45	.. 4	67-5543	.. 36	.. 36	.. 11
67-3351	.. 23	.. 101	.. 4	67-5543	.. 38	.. 10	.. 13
67-3353	.. 22	.. 35	.. 4	67-5544	.. 36	.. 12	.. 11
67-3354	.. 23	.. 98	.. 4	67-5544	.. 38	.. 1	.. 13
67-4027	.. 27	.. 62	.. 6	67-5545	.. 36	.. 4	.. 11
67-4027	.. 27	.. 68	.. 6	67-5545	.. 38	.. 11	.. 13
67-4028	.. 25	.. 41	.. 5	67-5547	.. 36	.. 3	.. 11
67-4028	.. 25	.. 2	.. 6	67-5547	.. 38	.. 9	.. 13
67-4029	.. 25	.. 7	.. 8	67-5555	.. 36	.. 18	.. 11
67-4030	.. 30	.. 63	.. 6	67-5555	.. 40	.. 21	.. 13
67-4030	.. 44	.. 43	.. 15	67-5558	.. 36	.. 34	.. 11
67-4030	.. 25	.. 27	.. 6	67-5558	.. 40	.. 42	.. 13
67-4032	.. 55	.. 88	.. 19	67-5561	.. 36	.. 8	.. 11
67-4036	.. 25	.. 19	.. 6	67-5561	.. 38	.. 4	.. 13
67-4038	.. 25	.. 1	.. 6	67-5562	.. 36	.. 14	.. 11
67-4040	.. 27	.. 37	.. 6	67-5562	.. 40	.. 16	.. 13
67-4040	.. 30	.. 73	.. 8	67-5563	.. 36	.. 7	.. 11
67-4041	.. 25	.. 7	.. 6	67-5563	.. 38	.. 6	.. 13
67-4056	.. 25	.. 18	.. 6	67-5564	.. 36	.. 35	.. 11
67-4094	.. 27	.. 45	.. 6	67-5564	.. 40	.. 14	.. 13
67-4120	.. 27	.. 44	.. 6	67-5565	.. 36	.. 2	.. 11
67-4122	.. 27	.. 54	.. 6	67-5565	.. 38	.. 12	.. 13
67-4125	.. 28	.. 11	.. 7	67-5566	.. 36	.. 9	.. 11
67-4126	.. 28	.. 11	.. 7	67-5566	.. 38	.. 3	.. 13
67-4127	.. 28	.. 19	.. 7	67-5567	.. 40	.. 40	.. 13
67-4128	.. 27	.. 48	.. 6	67-5571	.. 36	.. 17	.. 11
67-4129	.. 27	.. 50	.. 6	67-5571	.. 40	.. 18	.. 13
67-4129	.. 32	.. 33	.. 9	67-5572	.. 36	.. 32	.. 11
67-4130	.. 27	.. 38	.. 6	67-5572	.. 40	.. 41	.. 13
67-4132	.. 28	.. 6	.. 7	67-5575	.. 36	.. 15	.. 11
67-4166	.. 28	.. 1	.. 7	67-5575	.. 40	.. 17	.. 13
67-4171	.. 25	.. 20	.. 6	67-5576	.. 36	.. 16	.. 11
67-4173	.. 25	.. 15	.. 6	67-5576	.. 40	.. 20	.. 13
67-4183	.. 27	.. 71	.. 6	67-5578	.. 36	.. 21	.. 11
67-4183	.. 27	.. 71	.. 6	67-5578	.. 40	.. 24	.. 13
67-4189	.. 27	.. 39A	.. 6	67-6005/41	.. 38	.. 35	.. 12
67-4588	.. 45	.. 26	.. 16	67-6005/42	.. 38	.. 35	.. 12
67-4588	.. 28	.. 27	.. 8	67-6005/43	.. 38	.. 35	.. 12
67-4589	.. 47	.. 1	.. 17	67-6005	.. 40	.. 21	.. 14
67-4594	.. 47	.. 38	.. 16	67-6011	.. 40	.. —	.. 14
67-4596	.. 45	.. 25	.. 16	67-6012/41	.. 36	.. —	.. 12
67-4600	.. 47	.. 37	.. 16	67-6012/42	.. 36	.. —	.. 12
67-4816	.. 27	.. 78	.. 6	67-6012/43	.. 36	.. —	.. 12

NUMERICAL INDEX "A" GROUP—continued

Part No.	Page	Ref. No.	Plate	Part No.	Page	Ref. No.	Plate
67-6016	.. 38	.. 33	.. 12	67-6851	.. 51	.. 76	.. 18
67-6016	.. 42	.. 31	.. 14	67-6921	.. 25	.. 29	.. 6
67-6017	.. 38	.. 18	.. 12	67-7026	.. 27	.. 58	.. 6
67-6017	.. 40	.. 22	.. 14	67-7027	.. 27	.. 61	.. 6
67-6027	.. 42	.. 44	.. 14	67-7031	.. 49	.. 28	.. 17
67-6028	.. 42	.. 30	.. 14	67-7032	.. 27	.. 57	.. 6
67-6030	.. 40	.. 17	.. 14	67-7033	.. 49	.. 24	.. 17
67-6031	.. 42	.. 38	.. 14	67-7037	.. 27	.. 70	.. 6
67-6032	.. 42	.. 45	.. 14	67-7201	.. 55	—	.. 20
67-6033	.. 40	.. 15	.. 14	67-7202	.. 55	.. 10	.. 20
67-6034	.. 40	.. 16	.. 14	67-7203	.. 55	.. 8	.. 20
67-6038	.. 38	.. 31	.. 12	67-7204	.. 55	.. 4	.. 20
67-6038	.. 42	.. 37	.. 14	67-7205	.. 55	.. 3	.. 20
67-6039	.. 38	.. 39	.. 12	67-7205	.. 55	.. 5	.. 20
67-6039	.. 42	.. 40	.. 14	67-7205	.. 57	.. 4	.. 21
67-6046	.. 42	.. 49	.. 14	67-7208	.. 55	.. 17	.. 20
67-6051	.. 38	.. 27	.. 12	67-7208	.. 57	.. 1	.. 21
67-6051	.. 42	.. 33	.. 14	67-7778	.. 45	.. 104	.. 15
67-6053	.. 36	.. 4	.. 12	67-8059	.. 55	.. 94	.. 19
67-6060	.. 38	.. 36	.. 12	67-8060	.. 55	.. 95	.. 19
67-6061	.. 38	.. 28	.. 12	67-8070	.. 47	.. 13	.. 17
67-6066	.. 38	.. 26	.. 12	67-8070	.. 54	.. 52	.. 19
67-6067	.. 38	.. 16	.. 12	67-8071	.. 47	.. 13	.. 17
67-6072	.. 38	.. 15	.. 12	67-8071	.. 54	.. 51	.. 19
67-6073	.. 38	.. 46	.. 12	67-8076	.. 47	.. 13	.. 17
67-6074	.. 38	.. 45	.. 12	67-8085	.. 47	.. 5	.. 17
67-6075	.. 38	.. 24	.. 12	67-8087	.. 55	.. 90	.. 19
67-6076	.. 38	.. 17	.. 12	67-8087	.. 47	.. 47	.. 16
67-6076	.. 38	.. 23	.. 12	67-8088	.. 47	.. 47	.. 16
67-6077	.. 38	.. 22	.. 12	67-8092	.. 47	.. 46	.. 16
67-6078	.. 36	.. 12	.. 12	67-8092	.. 54	.. 73	.. 19
67-6081	.. 36	.. 5	.. 12	67-8104	.. 45	.. 2	.. 16
67-6101	.. 38	.. 37	.. 12	67-8105	.. 47	.. 3	.. 17
67-6101	.. 40	.. 18	.. 14	67-8108	.. 45	.. 3	.. 16
67-6123	.. 38	.. 38	.. 12	67-8108	.. 47	.. 44	.. 16
67-6124	.. 38	.. 38	.. 12	67-8109	.. 45	.. 4	.. 16
67-6126	.. 38	.. 20	.. 12	67-8109	.. 47	.. 42	.. 16
67-6128	.. 38	.. 25	.. 12	67-8110	.. 47	.. 45	.. 16
67-6133	.. 42	.. 28	.. 14	67-8111	.. 47	.. 2	.. 17
67-6136	.. 40	.. 24	.. 14	67-8116	.. 47	.. 11	.. 17
67-6149	.. 42	.. 39	.. 14	67-8116	.. 54	.. 50	.. 19
67-6150	.. 38	.. 38	.. 12	67-8126	.. 45	.. 2	.. 16
67-6154	.. 38	.. 38	.. 12	67-8309	.. 45	.. 96	.. 15
67-6161	.. 42	.. 32	.. 14	67-8313	.. 44	.. 39	.. 15
67-6164	.. 38	.. 34	.. 12	67-8313	.. 44	.. 49	.. 15
67-6180	.. 36	.. 7	.. 12	67-8313	.. 47	.. 35	.. 16
67-6530	.. 42	.. 10	.. 15	67-8313	.. 51	.. 94	.. 18
67-6530	.. 54	.. 63	.. 19	67-8324	.. 45	.. 106	.. 15
67-6543	.. 42	.. 26	.. 15	67-8326	.. 45	.. 105	.. 15
67-6543	.. 54	.. 65	.. 19	67-8334	.. 44	.. 47	.. 15
67-6544	.. 42	.. 24	.. 15	67-8521	.. 45	.. 11	.. 16
67-6544	.. 54	.. 59	.. 19	67-8521	.. 54	.. 44	.. 19
67-6546	.. 42	.. 18	.. 15	67-8555	.. 45	.. 12	.. 16
67-6546	.. 54	.. 60	.. 19	67-8555	.. 54	.. 43	.. 19
67-6547	.. 42	.. 25	.. 15	67-8592	.. 54	.. 43	.. 19
67-6547	.. 54	.. 58	.. 19	67-8592	.. 45	.. 12	.. 16
67-6556	.. 51	.. 45	.. 18	67-8595	.. 45	.. 11	.. 16
67-6557	.. 49	.. 19	.. 18	67-8595	.. 54	.. 44	.. 19
67-6558	.. 49	.. 16	.. 18	67-8610	.. 45	.. 19	.. 16
67-6559	.. 49	.. 33	.. 18	67-8610	.. 54	.. 41	.. 19
67-6560	.. 49	.. 13	.. 18	67-8681	.. 45	.. 17	.. 16
67-6761	.. 44	.. 44	.. 15	67-8681	.. 54	.. 51	.. 19
67-6766	.. 44	.. 40	.. 15	67-9002	.. 44	.. 75	.. 15
67-6767	.. 44	.. 83	.. 15	67-9023	.. 60	.. 12	.. 24
67-6772	.. 44	.. 62	.. 15	67-9026	.. 60	.. 10	.. 24
67-6774	.. 44	.. 66	.. 15	67-9028	.. 60	.. 15	.. 24
67-6830	.. 44	.. 58	.. 15	67-9041	.. 38	.. 13	.. 12
67-6830	.. 44	.. 58	.. 15	67-9045	.. 38	.. 13	.. 12
67-6830	.. 51	.. 77	.. 18	67-9046	.. 38	.. 13	.. 12
67-6830	.. 51	.. 77	.. 18	67-9047	.. 60	.. 13	.. 24
67-6839	.. 44	.. 59	.. 15	67-9054	.. 44	.. 54	.. 15
67-6839	.. 51	.. 79	.. 18	67-9063	.. 63	.. 22	.. 25
67-6841	.. 44	.. 60	.. 15	67-9067	.. 44	.. 58A	.. 15
67-6851	.. 44	.. 55	.. 15	67-9067	.. 51	.. 78	.. 18

NUMERICAL INDEX "A" GROUP—*continued*

Part No.	Page	Ref. No.	Plate	Part No.	Page	Ref. No.	Plate
67-9068	.. 63	.. 1	.. 25	89-4240	.. 28	.. 12	.. 7
67-9069	.. 45	.. 113	.. 15	89-4241	.. 28	.. 13	.. 7
67-9069	.. 52	.. 117	.. 18	89-4247	.. 28	.. 6	.. 7
67-9087	.. 45	.. 1	.. 16	89-4248	.. 28	.. 3	.. 7
67-9089	.. 47	.. 50	.. 16	89-4249	.. 28	.. 4	.. 7
67-9093	.. 47	.. 57	.. 16	89-4257	.. 28	.. 5	.. 7
67-9094	.. 47	.. 54	.. 16	89-4258	.. 28	.. 14	.. 7
67-9095	.. 47	.. 51	.. 16	89-4259	.. 28	.. 15	.. 7
67-9114	.. 60	.. 5	.. 24	89-5036	.. 34	.. 38	.. 10
67-9121	.. 60	.. 16	.. 24	89-5061	.. 34	.. 34	.. 10
67-9126	.. 28	.. 19	.. 8	$\frac{1}{8}$ " dia.	.. 13	.. 95	.. 1
89-3022	.. 38	.. 14	.. 12	$\frac{1}{4}$ " dia.	.. 16	.. 105	.. 2
89-4041	.. 28	.. 2	.. 7	$\frac{1}{2}$ " dia.	.. 34	.. 17	.. 10
89-4046	.. 28	.. 8	.. 7	$\frac{3}{8}$ " dia.	.. 15	.. 31	.. 2



THERE'S OVER 90 YEARS' REPUTATION FOR QUALITY
BEHIND THE B.S.A. TRADE MARKS, WHICH ARE YOUR
SAFEGUARD

NUMERICAL INDEX SIDE-CAR CHASSIS—'A' GROUP

Part No.	Page	Part No.	Page	Part No.	Page
1-4606	.. 68	3-663	.. 65	3-1795	.. 68
1-5945	.. 68	3-664	.. 65	3-1816	.. 68
1-5945	.. 68	3-839	.. 66	3-1825	.. 68
2-46	.. 65	3-861	.. 66	3-1828	.. 68
2-46	.. 65	3-953	.. 65	3-9077	.. 68
2-46	.. 65	3-953	.. 65	3-9263	.. 65
2-46	.. 66	3-953	.. 66	3-9264	.. 66
2-46	.. 66	3-1021	.. 66	3-9380	.. 68
2-47	.. 68	3-1080	.. 66	3-9381	.. 68
2-49	.. 66	3-1137	.. 65	15-716	.. 65
2-49	.. 68	3-1241	.. 68	15-5753	.. 66
2-49	.. 68	3-1252	.. 65	19-1109	.. 68
2-49	.. 68	3-1258	.. 65	19-1117	.. 68
2-130	.. 65	3-1259	.. 65	19-1118	.. 68
2-803	.. 66	3-1271	.. 65	24-875	.. 66
2-803	.. 66	3-1271	.. 65	24-5860	.. 68
2-995	.. 66	3-1271	.. 65	24-5914	.. 65
2-1096	.. 68	3-1289	.. 65	24-5914	.. 65
2-1462	.. 68	3-1290	.. 65	24-5914	.. 66
2-1462	.. 68	3-1369	.. 66	24-8784	.. 68
2-1813	.. 66	3-1372	.. 65	24-8784	.. 68
2-1925	.. 65	3-1373	.. 65	27-6810	.. 68
2-1925	.. 65	3-1379	.. 66	27-6974	.. 68
2-1925	.. 65	3-1383	.. 66	27-7010	.. 68
2-1945	.. 66	3-1393	.. 65	27-8039	.. 68
2-1946	.. 65	3-1509	.. 66	27-8560	.. 68
2-2395	.. 68	3-1603	.. 65	27-8560	.. 68
2-2395	.. 68	3-1685	.. 68	28-2080	.. 65
2-2899	.. 68	3-1700	.. 65	28-2080	.. 66
2-2899	.. 68	3-1701	.. 65	28-2080	.. 68
3-12	.. 68	3-1702	.. 68	28-2338	.. 68
3-34	.. 68	3-1703	.. 66	28-2338	.. 68
3-36	.. 68	3-1704	.. 66	29-3319	.. 68
3-37	.. 68	3-1706	.. 66	30-650	.. 66
3-62	.. 68	3-1706	.. 66	30-1215	.. 66
3-101	.. 68	3-1709	.. 65	31-4070	.. 68
3-103	.. 68	3-1712	.. 66	31-7275	.. 68
3-107	.. 66	3-1714	.. 66	35-33	.. 66
3-107	.. 65	3-1715	.. 66	35-33	.. 66
3-108	.. 65	3-1716	.. 65	35-33	.. 68
3-110	.. 65	3-1719	.. 65	35-705	.. 68
3-111	.. 65	3-1720	.. 65	35-708	.. 66
3-111	.. 65	3-1724	.. 65	35-713	.. 65
3-111	.. 66	3-1725	.. 65	35-713	.. 65
3-111	.. 66	3-1730	.. 68	35-713	.. 66
3-345	.. 65	3-1731	.. 68	35-722	.. 65
3-603	.. 66	3-1741	.. 68	65-4185	.. 66
3-619	.. 65	3-1746	.. 66	66-5524	.. 65
3-619	.. 65	3-1748	.. 65	66-6825	.. 68
3-641	.. 66	3-1750	.. 66	‡ dia.	.. 68

ENGINE—A10 ROAD ROCKET

As STANDARD A10 MODEL except the following

Part No.	Description	Number per Set
67-1105	.. Cylinder head with fixed fittings ..	1
67-1110	.. Inlet and exhaust valve guide ..	4
67-1114	.. Cylinder head holding down bolt (short)	3
67-1115	.. Cylinder head holding down bolt (medium)	4
67-1116	.. Cylinder head holding down bolt (long)	2
67-1117	.. Rocker box cylinder head stud ..	4
67-1118	.. Rocker box cylinder head stud nut (rear)	2
29-7796	.. Rocker box stud washer ..	4
67-1112	.. Induction pipe ..	1
67-1113	.. Induction pipe insert ..	2
67-1119	.. Induction pipe stud (bottom) ..	2
67-1245	.. Induction pipe stud (top) ..	2
67-1120	.. Induction pipe joint washer ..	2
2-49	.. Induction pipe stud nut ..	4
24-8784	.. Induction pipe stud washer (spring)	4
67-1141	.. Rocker box complete with studs ..	1
67-572	.. Piston complete (8-1 C.R.) ..	2
67-356	.. Camshaft ..	1
65-1340	.. Sparking plug ..	2
65-1419	.. Carburettor flange distance washer ..	1
67-712	.. Timing cover ..	1
67-714	.. Timing cover sealing plate ..	1
65-9165	.. Timing cover sealing plate bolt ..	2
67-715	.. Timing cover sealing plate joint washer	1
67-967	.. Exhaust valve ..	2
67-968	.. Inlet valve ..	2
67-885	.. Valve spring collar ..	4
65-1624	.. Valve spring cotter ..	4
67-886	.. Valve spring bottom cup ..	4
67-884	.. Valve spring (outer) ..	4
67-883	.. Valve spring (inner) ..	4
67-540	.. Magneto driving pinion assembled	1
24-195	.. Magneto driving pinion nut ..	1
2-2903	.. Magneto driving pinion washer ..	1
42-2795	.. Exhaust pipe complete (offside) ..	1
42-2796	.. Exhaust pipe complete (nearside) ..	1
42-2785	.. Silencer complete (offside) ..	1
42-2786	.. Silencer complete (nearside) ..	1
67-1134	.. Cush drive bearing (1955 models) ..	1
67-1135	.. Cush drive sleeve (1955 models) ..	1
67-1137	.. Cush drive nut (1955 models) ..	1
67-1136	.. Cush drive spring (1955 models) ..	1
67-1138	.. Cush drive distance piece (1955 models)	1
67-1133	.. Engine sprocket (21T) (1955 models) ..	1
GEARBOX		
A10 ROAD ROCKET		
As A10 SWINGING ARM Model except the following		
42-3037	.. Kickstarter crank complete (folding pedal) ..	1
42-3038	.. Kickstarter crank only (folding pedal)	1
65-3427	.. Kickstarter crank pedal ..	1
65-3428	.. Kickstarter crank pedal spring ..	1
29-5156	.. Kickstarter pedal bolt ..	1
66-4707	.. Kickstarter pedal bolt washer (shakeproof)	1
2-220	.. Kickstarter crank spring bolt ..	1
29-541	.. Kickstarter crank spring bolt washer ..	1
FRAME AND FITTINGS		
42-4309	.. Frame complete with fixed fittings (1955 models) ..	1
65-5445	.. Steering head lock (1955 models) ..	1
65-5446	.. Steering head lock grub screw (1955 models) ..	1

Part No.	Description	Number per Set
REAR SUSPENSION		
42-4297	.. Rear suspension unit complete (110 lbs. rate) (1955 models) ..	2
42-4300	.. Rear suspension unit complete (130 lbs. rate) (1955 models) ..	2
42-4299	.. Rear suspension damper spring (110 lbs. rate) (1955 models) ..	2
42-4302	.. Rear suspension damper spring 130 lbs. rate) (1955 models) ..	2
FRONT FORK AND FITTINGS (LESS COWL)		
42-5002	.. Front fork complete ..	1
42-5033	.. Front fork complete (1955 models) ..	1
67-5042	.. Front fork outer sleeve complete (nearside) ..	1
67-5044	.. Front fork outer sleeve complete (offside)	1
42-5015	.. Front fork bottom yoke complete ..	1
29-5289	.. Bottom yoke bolt ..	2
2-204	.. Steering lock stop bolt ..	2
2-2395	.. Steering lock stop bolt nut ..	2
65-5426	.. Steering damper knob securing plate ..	1
2-6026	.. Handlebar clip and damper knob securing bolt ..	2
2-370	.. Handlebar clip and damper knob securing bolt distance piece ..	2
65-5334	.. Handlebar and yoke clip bolt ..	2
42-5011	.. Front fork top yoke ..	1
42-5035	.. Front fork top yoke (1955 models) ..	1
FRONT WHEEL AND FITTINGS		
67-5598	.. Front wheel complete (less brake and tyre) ..	1
67-5599	.. Front wheel rim ..	1
REAR WHEEL AND FITTINGS		
42-6005	.. Rear wheel complete (less brake and tyre)	1
65-6298	.. Rear wheel rim ..	1
FRONT MUDGUARD AND FITTINGS		
67-6554	.. Front mudguard with fixed fittings ..	1
67-6557	.. Front mudguard stay ..	1
67-6559	.. Front mudguard bridge ..	1
67-6560	.. Mudguard stiffener ..	1
24-7178	.. Mudguard stiffener screw ..	2
2-2580	.. Mudguard stiffener washer ..	2
2-2395	.. Mudguard securing nut ..	6
27-8560	.. Mudguard securing nut washer ..	4
2-1462	.. Mudguard securing nut washer (spring)	6
15-7161	.. Mudguard securing screw ..	4
42-6520	.. Front mudguard rocket motif ..	1
2-2395	.. Motif fixing nut ..	2
2-1462	.. Motif fixing washer (spring) ..	2
28-2338	.. Mudguard bridge securing bolt (offside)	2
32-194	.. Mudguard bridge securing bolt (nearside)	2
2-49	.. Mudguard bridge securing bolt nut ..	4
36-382	.. Mudguard bridge securing bolt washer (shakeproof) ..	4
24-7178	.. Front number plate fixing hole bolt ..	1
2-1462	.. Front number plate fixing hole bolt washer spring ..	1
2-2395	.. Front number plate fixing hole bolt nut	1

ENGINE—A10 ROAD ROCKET—*continued*

As STANDARD A10 MODEL except the following

Part No.	Description	Number per Set
FRONT STAND		
67-6558	Front stand complete	1
2-14	Front stand screw	1
2-2580	Front stand washer (thin)	1
2-6537	Front stand washer (thick)	1
27-410	Front stand locknut	1
15-447	Front stand support nut	1
2-1934	Front stand swivel screw	2
2-1616	Stay securing nut	4
2-923	Stay securing nut washer	4
24-8784	Stay securing nut washer (spring)	4
15-7354	Stay securing screw	2
PETROL TANK AND FITTINGS		
42-8046	Petrol tank (4 gallon)	1
42-8043	Petrol tank (2 gallon)	1
65-8220	Petrol tank badge	2
42-8020	Petrol tank badge clip	2
65-8173	Flexible petrol pipe (short)	1
42-8022	Flexible petrol pipe (long)	1
65-8171	Petrol tap	2
2-930	Petrol tap washer (fibre)	2
27-8443	Petrol tank filter complete	2
24-8504	Petrol tank filter washer (fibre)	2
HANDLEBAR AND CONTROLS (WESTERN TYPE)		
65-4963	Handlebar (less controls, Western type)	1
67-8607	Front brake cable and cover complete	1
67-8687	Clutch control cable and cover complete	1
67-8524	Air control cable and cover complete	1
67-8525	Air control cable only	1
67-8526	Air control cable cover (long)	1
65-8839	Air control cable cover (short)	1
67-8527	Throttle control cable and cover complete	1
67-8528	Throttle control cable only	1
67-8529	Throttle control cable cover (long)	1
65-8835	Throttle control cable cover (short)	1

Part No.	Description	Number per Set
The following parts are for use with Manual Control Magneto		
66-8810	Ignition control lever complete	1
67-8620	Ignition control cable and cover complete	1
67-8621	Ignition control cable only	1
67-8622	Ignition control cable cover	1
ELECTRICAL EQUIPMENT		
19-527	Headlamp	1
19-1203	Magneto with manual control	1
SPEEDOMETER AND FITTINGS		
19-2107	Speedometer head	1
67-9057	Speedometer cable	1
65-9111	Speedometer bracket	1
65-9179	Speedometer bracket bolt	2
15-7383	Speedometer bracket rubber	4
2-1374	Speedometer bracket washer	2
REV. COUNTER AND FITTINGS		
67-713	Rev counter driving member	1
65-9164	Rev counter gearbox	1
65-9166	Rev counter head	1
65-9172	Rev counter cable	1
The following parts are required when Rev counter and speedo is fitted:		
65-9174	Speedo and rev counter mounting bracket	1
2-204	Speedo and rev counter mounting bracket screw	2
2-1462	Speedo and rev counter mounting bracket washer	2
The following parts are required when Rev counter only is fitted:		
65-9167	Rev counter fixing bracket	1
15-7383	Rev counter support bracket rubber	4
27-8560	Rev counter support bracket washer	8
24-8328	Rev counter bracket fixing bolt	2

NUMERICAL INDEX

A10 ROAD ROCKET

Part No.	Page	Part No.	Page	Part No.	Page	Part No.	Page
2-14	84	2-2395	83	24-8784	83	42-4297	83
2-49	83	2-2580	83	24-8784	84	42-4299	83
2-49	83	2-2580	84	27-410	84	42-4300	83
2-204	84	2-2903	83	27-8443	84	42-4302	83
2-204	83	2-6026	83	27-8560	83	42-4309	83
2-220	83	2-6537	84	27-8560	84	42-5002	83
2-370	83	15-447	84	28-2338	83	42-5011	83
2-923	84	15-7161	83	29-541	83	42-5015	83
2-930	84	15-7354	84	29-5156	83	42-5033	83
2-1374	84	15-7383	84	29-5289	83	42-5035	83
2-1462	83	15-7383	84	29-7796	83	42-6005	83
2-1462	83	19-527	84	32-194	83	42-6520	83
2-1462	83	19-1203	84	36-382	83	42-8020	84
2-1462	84	19-2107	84	42-2785	83	42-8022	84
2-1616	84	24-195	83	42-2786	83	42-8043	84
2-1934	84	24-7178	83	42-2795	83	42-8046	84
2-2395	83	24-7178	83	42-2796	83	65-1340	83
2-2395	83	24-8328	84	42-3037	83	65-1419	83
2-2395	83	24-8504	84	42-3038	83	65-1624	83

NUMERICAL INDEX—Continued
A10 ROAD ROCKET

Part No.	Page	Part No.	Page	Part No.	Page	Part No.	Page
65-3427	.. 83	65-9174	.. 84	67-1112	.. 83	67-5598	.. 83
65-3428	.. 83	65-9179	.. 84	67-1113	.. 83	67-5599	.. 83
65-4963	.. 84	66-4707	.. 83	67-1114	.. 83	67-6554	.. 83
65-5334	.. 83	66-8810	.. 84	67-1115	.. 83	67-6558	.. 84
65-5426	.. 83	67-356	.. 83	67-1116	.. 83	67-6559	.. 83
65-5445	.. 83	67-540	.. 83	67-1117	.. 83	67-6560	.. 83
65-5446	.. 83	67-572	.. 83	67-1118	.. 83	67-8524	.. 84
65-6298	.. 83	67-712	.. 83	67-1119	.. 83	67-8525	.. 84
65-8171	.. 84	67-713	.. 84	67-1120	.. 83	67-8526	.. 84
65-8173	.. 84	67-714	.. 83	67-1133	.. 83	67-8527	.. 84
65-8220	.. 84	67-715	.. 83	67-1134	.. 83	67-8528	.. 84
65-8835	.. 84	67-883	.. 83	67-1135	.. 83	67-8529	.. 84
65-8839	.. 84	67-884	.. 83	67-1136	.. 83	67-8607	.. 84
65-9111	.. 84	67-885	.. 83	67-1137	.. 83	67-8620	.. 84
65-9164	.. 84	67-886	.. 83	67-1138	.. 83	67-8621	.. 84
65-9165	.. 83	67-967	.. 83	67-1141	.. 83	67-8622	.. 84
65-9166	.. 84	67-968	.. 83	67-1245	.. 83	67-8687	.. 84
65-9167	.. 84	67-1105	.. 83	67-5042	.. 83	67-9057	.. 84
65-9172	.. 84	67-1110	.. 83	67-5044	.. 83		



PISTON CHART 1954 AND 1955

MODEL	Compression ratio	PISTON COMPLETE (2)			COMPRESSION RING (4)			PISTON SCRAPER RING (2)		
		Standard	½ mm. O.S.	1 mm. O.S.	Standard	½ mm. O.S.	1 mm. O.S.	Standard	½ mm. O.S.	1 mm. O.S.
A7 500 c.c. O.H.V. ..	6.7	67-460	67-462	67-464	67-407	67-408	67-409	67-410	67-411	67-412
Star Twin and Shooting Star 500 c.c. O.H.V... ..	7.25	67-533	67-535	67-537	67-407	67-408	67-409	67-410	67-411	67-412
	8.0	67-566	67-568	67-570	67-407	67-408	67-409	67-410	67-411	67-412
A10 650 c.c. Twin O.H.V.	6.5	67-423	67-425	67-427	67-311	67-312	67-313	67-314	67-315	67-316
A10 650 c.c. Twin Road Rocket	8.0	67-572	67-574	67-576	67-311	67-312	67-313	67-314	67-315	67-316

CARBURETTORS AND SETTINGS 1954 AND 1955

MESSRS AMALGAMATED CARBURETTORS LTD., PERRY BARR, BIRMINGHAM

Models	Type	Choke Size (Inches)	Main Jet	Throttle Valve	Needle Position	Needle Jet	Engine End Size (Inches)	Year
A7 Plunger and Swinging Arm	276EU/1DB ..	⅝	140	6/4	4	.107	⅝	
A7 Star Twin Plunger and Swinging Arm	276FD/1DB ..	1	160	6/4	3	.107	1 ⅛	1954
A10 Plunger and Swinging Arm	276GG/1DB ..	1 ⅛	170	6/4	2	.107	1 ⅛	
A7 Shooting Star	276GK/1BS ..	1	160	6/4	3	.107	1 ⅛	
A10 Plunger	276GG/1DB ..	1 ⅛	170	6/4	2	.107	1 ⅛	
A7 Swinging Arm	376/4	⅝	210	376/3 ¼	2	.107	⅝	1955
A7 Shooting Star	376/15	1	260	376/3 ½	3	.107	1 ⅛	
A10 Swinging Arm	376/1	1 ⅛	240	376/4	3	.1065	1 ⅛	
A10 Road Rocket	10.TT/9	1 ⅛	340	6	4	.109	1 ⅛	1954-1955

EVERY OWNER OF A B.S.A. MOTOR CYCLE IS STRONGLY ADVISED TO BUY ONLY—GENUINE B.S.A. SPARE PARTS

ENGINE AND FRAME MARKINGS

1954 PLUNGER FRAME MODELS

Model	Type	Engine	Frame
A7	500 c.c. O.H.V. Twin	BA7-20001 upwards	
A7	500 c.c. O.H.V. Star Twin	BA7S-20001 upwards	BA7S-8950 upwards
A10	650 c.c. O.H.V. Twin	BA10-70001 upwards	

1954 SWINGING ARM MODELS

Model	Type	Engine	Frame
A7	500 c.c. O.H.V. Twin	CA7-101 upwards	
A7	500 c.c. O.H.V. Star Twin	CA7S-101 upwards	CA7-101 upwards
A7	500 c.c. O.H.V. Shooting Star	CA7SS-101 upwards	
A10	650 c.c. O.H.V. Twin	CA10-101 upwards	

1955 PLUNGER FRAME MODELS

Model	Type	Engine	Frame
A7	500 c.c. O.H.V. Twin	BA7-3001 upwards	
A7	500 c.c. O.H.V. Star Twin	BA7S-2601 upwards	BA7S-15001 upwards
A10	650 c.c. O.H.V. Twin	BA10-11001 upwards	

1955 SWINGING ARM MODELS

Model	Type	Engine	Frame
A7	500 c.c. O.H.V. Twin	CA7-1501 upwards	
A7	500 c.c. O.H.V. Shooting Star	CA7SS-501 upwards	CA7-7001 upwards
A10	650 c.c. O.H.V. Twin	CA10-4501 upwards	
A10	650 c.c. O.H.V. Road Rocket	CA10R-601 upwards	

**WHEN REPLACEMENTS BECOME NECESSARY FOR YOUR
B.S.A. MOTOR CYCLE ALWAYS FIT GENUINE B.S.A. SPARES**