

LUCAS
GIRLING

**EQUIPMENT AND
SERVICE PARTS**

BRITCYCLE
www.britcycle.com.au

CE830/66

TRIUMPH

Motor Cycles

1966



www.britcycle.com.au



EQUIPMENT SPECIFICATIONS AND PAGE INDEX

UNIT	See page	200 c.c. T20 "Tiger Cub"		200 c.c. T20 SH 200 c.c. T20 SR "Sports Cub"		200 c.c. T20 SM		200 c.c. T20 TR T10 Automatic Scooter (Ignition Coil only)	
		Model	Part No.	Model	Part No.	Model	Part No.	Model	Part No.
ALTERNATOR (serviced by)									
Rotor	4	RM18	54213903	RM18	54213903	RM19	54213901	RM19	54213901
Stator	4	RM18	47161B	RM18	47161B	RM19	47173B	RM19	47173B
AMMETER	4		CZU27 **36084F						
BATTERY	—		PUZ5E/11 24082094	PUZ5E/11	24082094				
BATTERY (Later)	—		54028459						
HARNESS	8		54934996		54933224		54932226		54943884
HARNESS (Later)	8		54939733						
COIL, IGNITION	4	MA6	45152B	MA6	45152B	3ET (L.H.) 3ET (R.H.)	*45150A *45149A *47624A (54415296 & 54417989)	3ET (L.H.) 3ET (R.H.) 4CA	*45150A †*45149A *47625A (54415296 & 54415748)
CONTACT BREAKER	4	4CA	*47621A/D (54415296 & 54416405)	4CA	*47621A/D (54415296 & 54416405)				
HORN	5	BH	70169D	BH	70169D				
HORN PUSH AND DIPPER SWITCH	5	255A	31563D						
HORN PUSH	5			4A	76204D				
HORN-PUSH-PAD	5		380459						
LAMPS									
Head									
Home — Export	6 and 7	MCF575P	58975B	MCH66	58935D	MCH66	58395F		
Later	7	MCH56	59629A						
Export — France	6	MCF575P	58977B						
Export — U.S.A.	6	MCF575	59004B						
Stop tail, number plate and reflex	7	564	53394D	564	53394D	679	53972B		
Stop tail, number plate and reflex U.S.A.	7			679	53972B				
RECTIFIER	4	2D5506	49072A	2D5506	49072A				
SWITCHES									
Dipper	5			PS9	**31620F	PS9	**31620F		
Engine cut-out	5					4A	76204D	4A	76204D
Ignition	5	885A	34427B 5433617B	885A	34427B 5433617B				
Cover	5		*54330485 (54330576)		*54330485 (54330576)				
Escutcheon plate	5		34289A	885A	34289A	PS6	**31356B		
Lighting	5		54330934		54330934				
Knob	5		*54330485 (54330576)		*54330485 (54330576)				
Escutcheon plate	5		*31437B (54033234)		*31437B (54033234)				
Stop Lamp	5	22B		22B		22B	*31437B (54033234)		
Spring	5						31573B		
REAR SUSPENSION UNIT (Serviced by Girling Ltd.)	—		3112		3112		3112		3112

UNIT	See page	650 c.c. 6T "Thunderbird" 500 c.c. 5TA "Speed Twin" 350 c.c. 3TA "Twenty-One"		350 c.c. T90 "Tiger 90" 500 c.c. T100 "Tiger 100" 650 c.c. TR6 "Trophy" 650 c.c. T120 "Bonnevillie"		650 c.c. T120R "Bonnevillie" 650 c.c. TR6R "Trophy" 500 c.c. T100R "Tiger 100" (Export U.S.A.)		650 c.c. TR6C "Trophy" 500 c.c. T120 TT "Special" 500 c.c. T100C "Tiger 100" (Export U.S.A.)	
		Model	Part No.	Model	Part No.	Model	Part No.	Model	Part No.
ALTERNATOR (serviced by)									
Rotor	4	RM19	54213901	RM19	54213901	RM19	54213901	RM19	54213901
Stator	4	RM19	47162A	RM19	47162A	RM19	47162A	RM19	47188B
AMMETER	4	2AR	36296A	2AR	**36296A	2AR	36296A		
BATTERY	—		MKZ9E/2 54028050	MKZ9E/2	54028050	MKZ9E/2	54028050		
BATTERY (Later)	—		PUZ5A 54027029	PUZ5A	54027029	PUZ5A	54027029		
HARNESS	8		54938942		54938941		54938941		54937097
HARNESS	4						‡54441582		54441582
CONDENSER	4	MA12	45110D	MA12	45110D	MA12	45110D	3ET (L.H.) 3ET (R.H.)	45150A 45149A *47602D (425379 54415746)
COIL, IGNITION	4	4CA	47605D	4CA	47605D	4CA	47605D	4CA	
CONTACT BREAKER	4	4CA	47605D	4CA	47605D	4CA	47605D		
DIODE, ZENER	4	ZD715	49345A	ZD715	49345A	ZD715	49345A		
FUSED EARTH LEAD	0		54938986		54938986		54938986		
HORN	5	BH	70164D	BH	70164D	BH	70164D		
HORN PUSH AND DIPPER SWITCH	5	255A	31563D	255A	31563D	255A	31563D		
LAMPS									
Head									
Home — Export	6 and 7	MCF700P	59176A	SS700P	59579A	SS700P	59579A	MCH66	58395F
Export — Europe	6	MCF700P	59177A	SS700P	59602A				
Export — France	6	MCF700P	59178B	SS700P	59601A				
Export — U.S.A.	7	564	53454D	564	53454D				
Stop tail, number plate and reflex	7	679	53973B			679	53973B	679	53972B
Stop tail, number plate and reflex U.S.A.	7								
RECTIFIER	4	2D5506	49072A	2D5506	49072A	2D5506	49072A		
SWITCHES									
Dipper	5							PS9	**31620F
Engine cut-out	5	SS5	35601A	SS5	35601A	SS5	35601A	SS5	*31071D (31107D)
Ignition	5	885A	34427B 5433617B	545	31899B	545	31899B		
Cover	5		54330576						
Escutcheon plate	5		34289A	885A	34289A	885A	34289A	PS6	**31356B
Lighting	5		54330934		54330934		54330934		
Knob	5		54330576		54330576		54330576		
Escutcheon plate	5		*31437B (54033234)		*31437B (54033234)		*31437B (54033234)		*31437B (54033234)
Stop lamp	5	22B		22B		22B		22B	
Spring	5		31573B	WL15	**38189A	WL15	**38189A		
WARNING LIGHT	8								
REAR SUSPENSION UNIT (Serviced by Girling Ltd.)	—		3509 (3A3) *4200 (3B3)		4506 (5B4)				

† Also fitted to T10 Automatic Scooter
‡ Alternative fitting on single cyl. machines

* When ordering, quote part number shown in brackets
‡ T100R and TR6R only

§ T205R only
* STA only

** Part of headlamp



ALTERNATOR STATORS

Part No.	47161B	47162A 47173B	47188B
Model	RM18	RM19	RM19
Cable clip	54213907	54210167	54211644
Washer, cable clip	131023	131023	131023

RECTIFIER

Part No.	49072A
Model	2D5506
Nut, fixing	156594

AMMETER

Part No.	36084F	36296A
Model	CZU27	2AR
Screw or nut, terminal	166043	166043
Washer, terminal	185040	185040
Ring, rubber	523986	—

CONTACT BREAKER UNITS

Part No.	47602F	47605F	47621A/D
Model	4CA	4CA	4CA
Contact breaker	425379	425379	54415296
Contact set	54415803	54415803	54415803
Nut, condenser angle plate fixing	169194	169194	169194
Plate, condenser terminal insulating	425382	425382	425382
Condenser	425377	425377	425377
Plate, contact breaker base	425370	425370	425370
Felt, cam lubricating	425378	425378	425378
Auto Advance Unit	54415746	54415750	54416405
Cam	54415473	5441729	54440602
Springs, auto advance	54415641	54415642	54415640
Weights, auto advance	425359	425359	54440031
Sleeve and action plate	54415747	54415751	54415749

Part No.	47624A	47625A
Model	4CA	4CA
Contact breaker	54415296	54415296
Contact set	54415803	54415803
Nut, condenser angle plate fixing	169194	169194
Plate, condenser terminal insulating	425382	425382
Condenser	425377	425377
Plate, contact breaker base	425370	425370
Felt, cam lubricating	425378	425378
Auto advance unit	54417989	54415748
Cam	54415053	54415053
Springs, auto advance	54417992	54415640
Weights, auto advance	54440031	54440031
Sleeve and action plate	54417203	54415749

IGNITION COILS

Part No.	45110D	45149A 45150A	45152B
Model	MA12	3ET	MA6
Grommet, rubber	421554	—	421554
Clip, cable contact	421863	—	421863
Nut, terminal	166043	—	166043
Washer, shakeproof terminal	188330	—	188330
Washer, plain terminal	131023	—	131023
Clip, coil retaining	—	54441104	—
Lamination	—	54441946	—
Eyelet	—	187736	—
Connector, double, male, Lucar	54190108	864980	54190108
Connector, female, Lucar	—	54942078	—
Sleeve, Lucar insulating	—	54190042	—



Stator (typical)



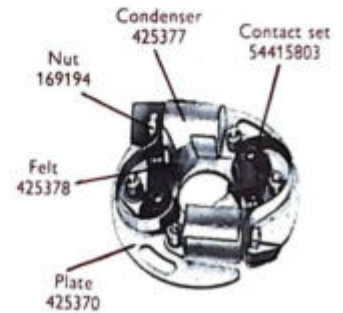
54213901
54213903



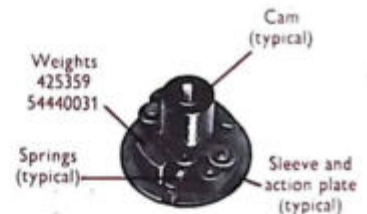
49072



36296



36084



MODEL 4CA



Grommet
421554



45152
45110 (12 volt)



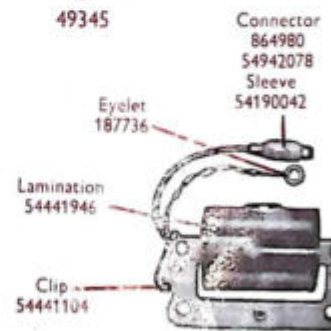
Clip
421863



Connector
54190108

54441582

49345



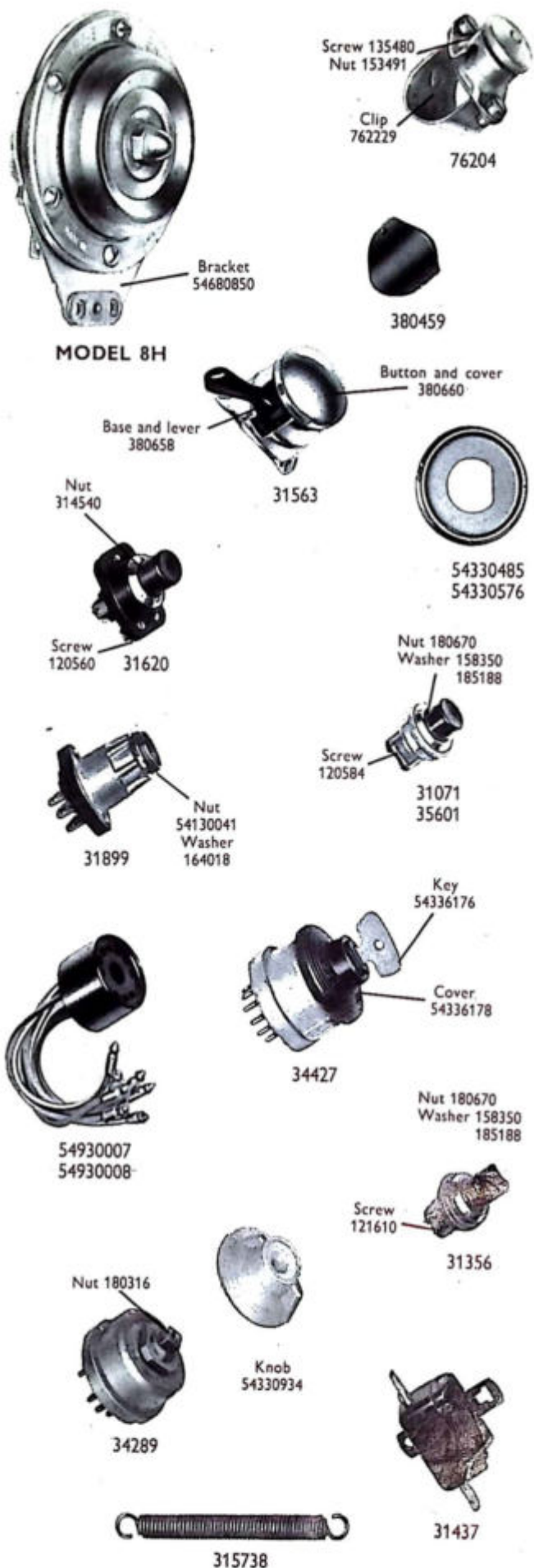
Eyelet
187736

Lamination
54441946

Clip
54441104

Connector
864980
54942078
Sleeve
54190042

45149
45150



HORNS

Part No. Model	70164D 8H	70169D 8H
Bracket	54680850	54680850

HORN PUSH

Part No. Model	76204D 4A
Screw, terminal	119520
Screw, fixing	135480
Nut, fixing	153491
Clip, fixing	762229
Pad, horn push	†380459

HORN PUSH AND DIPPER SWITCH

Part No. Model	31563D 25SA
Button and cover	380660
Base and lever	380658
Screw, terminal	120610

DIPPER SWITCH

Part No. Model	31620F PS9
Nut, fixing	314540
Screw, terminal	120560

ENGINE CUT-OUT SWITCHES

Part No. Model	31071D 55S	35601A 55S	76204D 4A
Nut, fixing	180670	180670	153491
Washer, spring	185188	185188	—
Washer, fixing	158350	158350	—
Screw, fixing	—	—	135480
Clip, fixing	—	—	762229
Screw, terminal	120584	120584	119520

IGNITION SWITCHES

Part No. Model	31899B S45	34427B 88SA
Key	—	54336176
Nut, fixing	54130041	54336177
Washer, nut fixing	164018	—
Socket with cables	—	†54930008
Cover, nut fixing	—	†54336178

LIGHTING SWITCHES

Part No. Model	31356B PS6	34289A 88SA
Screw, terminal	121610	—
Nut, fixing	180670	180316
Washer, flat, nut fixing	158350	—
Washer, spring, nut fixing	185188	—
Socket with cables	—	†54930007

STOP LIGHT SWITCH

Part No. Model	31437B 22B
Spring	†315738

† Order separately

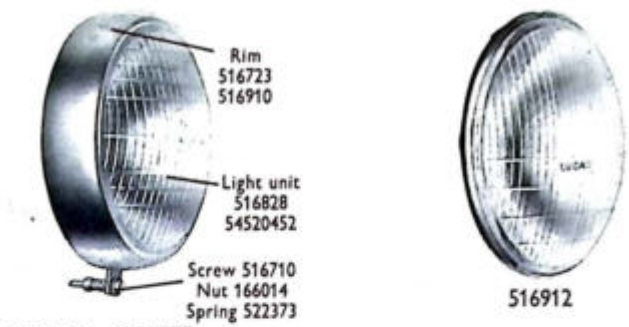


HEADLAMPS

Part No. Model	58975B MCF575P	58977B MCF575P	59004B MCF575
Rim or door	516723	516910	516723
Plate, rim fixing	516709	516709	516709
Screw, rim fixing	516710	516710	516710
Nut, rim screw	166014	166014	166014
Spring, rim fixing	552373	552373	552373
Light unit	516828	516912	54520452
Wire, light unit fixing	500291	516911	500291
Backshell	—	553470	—
Bulbholder	—	562303	—
Clip and screw, bulbholder	—	562306	—
Sleeve, terminal	—	555910	—
Bulbholder, main	554602	—	554602
Sleeve, terminal	555910	—	555910
Bulbholder, pilot	554710	554710	—
Interior, pilot	553780	553780	—
Ring, rubber, seating	554354	554354	—
Washer, cable grip	516285	516285	—
Bulb, main	312	—	312
Bulb, pilot	988	988	—

Part No. Model	59176A MCF700P	59177A MCF700P	59178B MCF700P
Rim or door	553248	553248	553248
Wire, light unit fixing	504665	504665	504665
Screw, rim fixing	144921	144921	144921
Plate, rim fixing	554408	554408	554408
Ring, fixing	553267	553267	553267
Light unit	516810	516811	516802
Bulbholder, main	554602	554602	—
Sleeve, terminal	555910	555910	—
Backshell	—	—	552943
Bulbholder	—	—	562303
Clip and screw, bulbholder	—	—	562306
Sleeve, terminal	—	—	555910
Bulbholder, pilot	554710	554710	554710
Interior, bulbholder	553780	553780	553780
Ring, bulbholder seating	554354	554354	554354
Bulb, main	446	350	372
Bulb, pilot	989	989	989

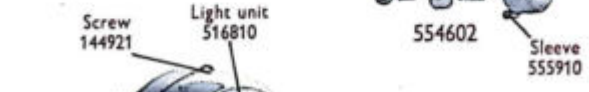
Part No. Model	59602A SS700P	59601A SS700P	59579A SS700P
Rim or door	553248	553248	553248
Wire, fixing	504665	504665	504665
Screw, rim fixing	144921	144921	144921
Plate, rim fixing	534296	534296	534296
Ammeter (see page 4 for details)	36296	36296	36296
Warning light body assy.	38189	38189	38189
Sealing washer, warning light	54140331	54140331	54140331
Light unit	516798	516802	516801
Bulbholder, main	554602	—	554602
Sleeve, terminal	555910	—	555910
Backshell	—	552943	—
Bulbholder	—	562303	—
Clip and screw, bulbholder	—	562306	—
Sleeve, terminal	—	555910	—
Bulbholder, pilot	554710	554710	554710
Interior, pilot	553780	553780	553780
Ring, bulbholder seating	554354	554354	554354
Washer, cable grip pilot	516285	516285	516285
Screw, lamp fixing	112201	112201	112201
Washer, lamp screw fixing	137498	137498	137498
Body	54523022	54523022	54523022
Bulb, main	446	—	370
Bulb, pilot	989	989	989



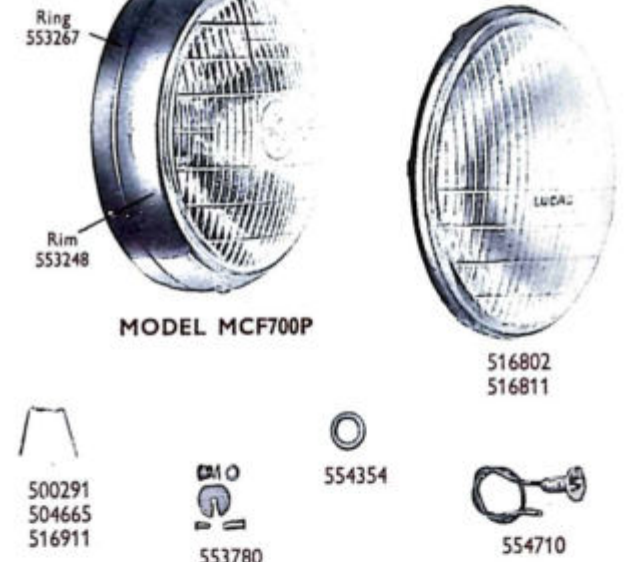
MODEL MCF575 & MCF575P

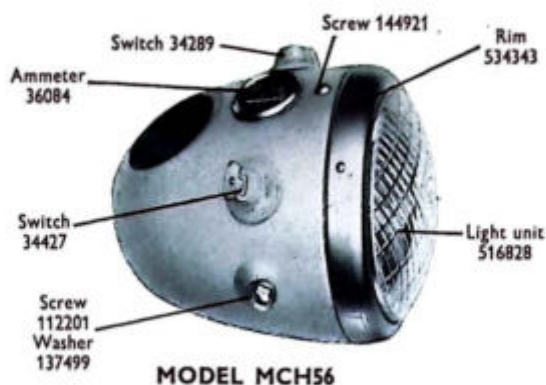


MODEL MCF700P

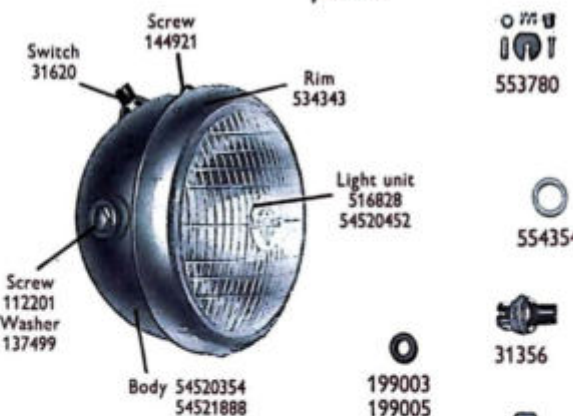
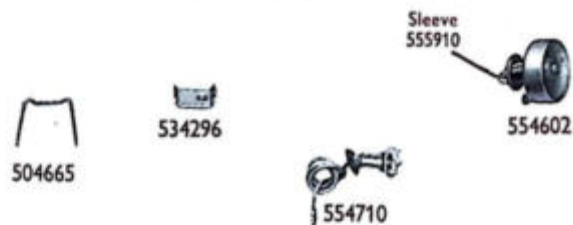


MODEL SS700P

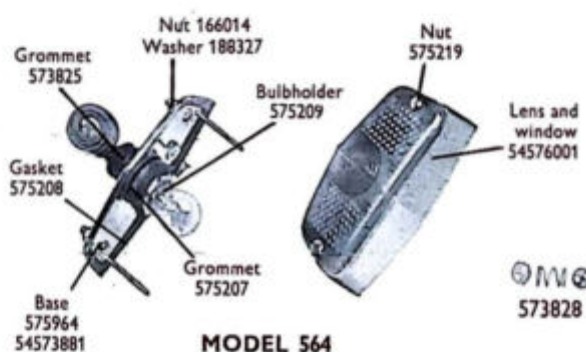




MODEL MCH56



MODEL MCH66



MODEL 564



MODEL 679

HEADLAMPS

Part No. ...	Model ...	59629A MCH56
Rim or door	...	534343
Wire, light unit fixing	...	504665
Screw, rim fixing	...	144921
Plate, rim fixing	...	534296
Ammeter (see page 4 for details)	...	36084
Switch, lighting (see page 5 for details)	...	34289
Knob, lighting switch	...	54330934
Screw, fixing knob	...	101371
Washer, dished, screw seating	...	332529
Nut, locking, switch fixing	...	180316
Washer, nut locking	...	188350
Switch, ignition (see page 5 for details)	...	34427
Nut, locking, switch fixing	...	54336177
Cover, ignition switch	...	54336307
Light unit	...	516828
Bulbholder, main	...	554602
Sleeve, terminal	...	555910
Bulbholder, pilot	...	554710
Interior, bulbholder	...	553870
Ring, rubber seating	...	554354
Washer, cable grip	...	516285
Screw, lamp fixing	...	112201
Washer, screw fixing	...	137499
Grommet, cable entry	...	199005
Bung	...	54190874
Bulb, main	...	312
Bulb, pilot	...	988

Part No. ...	Model ...	58395F MCH66	58935D MCH66
Rim or door	...	534343	534343
Wire, reflector fixing	...	504665	504665
Screw, rim fixing	...	144921	144921
Plate, rim fixing	...	534296	534296
Switch, lighting (see page 5 for details)	...	31356	—
Switch, dip (see page 5 for details)	...	31620	31620
Light unit	...	54520452	516828
Bulbholder, main	...	554602	554602
Sleeve, terminal	...	555910	555910
Grommet, cable entry	...	199003	—
Bulbholder, pilot	...	—	554710
Interior, bulbholder	...	—	553870
Ring, bulbholder seating	...	—	554354
Screw, lamp fixing	...	112201	112201
Washer, screw fixing	...	137499	137499
Body	...	54520354	54521888
Bulb, main	...	166	166
Bulb, pilot	...	—	988

STOP TAIL, NUMBER PLATE ILLUMINATION AND REFLEX LAMPS

Part No. ...	Model ...	53394D 564	53454D 564
Lens and window	...	54576001	54576001
Nut, barrel, lens fixing	...	575219	575219
Gasket, lens seating	...	575208	575208
Base	...	54573881	575964
Grommet, bulbholder	...	575207	575207
Bulbholder, shell	...	575209	575209
Interior bulbholder	...	573828	573828
Grommet, cable	...	573825	573825
Nut, lamp fixing	...	166014	166014
Washer, shakeproof	...	188327	188327
Washer, spacer, bolt fixing	...	131023	131023
Bulb	...	352	380

Part No. ...	Model ...	53972B 679	53973B 679
Lens	...	54572932	54572932
Screw, lens fixing	...	572289	572289
Bulbholder with reflector	...	54574348	54574348
Interior, bulbholder	...	573828	573828
Baseplate	...	54571319	54571319
Gasket, lamp seating	...	54571677	54571677
Screw, lamp fixing	...	127684	127684
Washer, screw fixing	...	188483	188483
Bulb	...	384	380



WARNING LIGHT

Part No. ...	38189A
Model ...	WL15
Bulbholder ...	†54945043
Bulb ...	1281

FUSED EARTH LEAD

Part No. ...	54938986
Eyelet, 1/8" ...	900450
Eyelet, 1/4" ...	850406
Fuseholder ...	54190387
Fuse, 35 amp. ...	188218

BULBS

Part No.	Volts	Watts	Contact	Filament
166	6	24/24	B.P.F.	Transverse, vertical dip
281	12	2	B.A.75	Sub-Miniature coil
282	6	6	M.B.	Coil
312	6	30/24	B.P.F.	Transverse, vertical dip
350	12	35/35	B.P.F.	Transverse, vertical dip, Duplo
352	6	18/3	S.B.C.	Transverse
370	12	45/50	offset pin B.P.F.	Transverse and Hooded Axial vertical dip
380	12	21/6	S.B.C.	Transverse
384	6	18/6	offset pin S.B.C.	Transverse
446	12	50/40	offset pin B.P.F.	Transverse, vertical dip
988	6	3	M.C.C.	Coil
989	12	6	M.C.C.	Coil

B.P.F. British Pre-Focus S.B.C. Small Bayonet Cap
M.C.C. Miniature Centre Contact M.B. Miniature Bayonet



54945043



MODEL WL15



281, 282



352, 380, 384



166, 312, 446



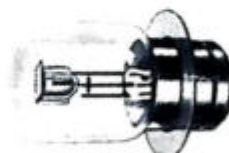
988, 989



900450



850406



350, 370



54190387



188218

CABLE HARNESSES

Part No.	54932326	54933224	54934996	54937097	54938941	54938942	54939733	54943884
Eyelet 1/8" ...	850406	850406	850406	—	850406	850406	850406	850406
Eyelet 1/4" ...	—	850405	—	—	—	850405	—	—
Eyelet 1/2" ...	—	—	—	900450	—	—	—	—
Connector, Lucar, 17-5 amp. ...	—	54942078	54942078	—	54942078	54942078	54942078	54942078
Connector, Lucar 35 amp. ...	—	—	—	—	54942079	54942079	—	—
Connector, Lucar, 17-5 amp. double ...	54942747	54942747	54942747	—	54942747	54942747	54942747	—
Sleeve, Lucar, 17-5 amp. ...	—	54190042	54190042	—	54190042	54190042	54190042	54190042
Sleeve, Lucar, 35 amp. ...	—	—	—	—	54190043	54190043	—	—
Sleeve, Lucar, 17-5 amp double ...	54190119	54190119	54190119	—	54190119	54190119	54190119	—
Connector tube, 2 way ...	900288	900288	900288	—	900288	900288	900288	900288
Connector tube 4 way ...	850641	850641	—	850641	850641	850641	—	850641
Connector tube 6 way ...	—	850844	850844	—	850844	—	850844	—
Connector tube 10 way ...	850839	—	—	—	—	—	—	—
Nipple ...	900269	900269	900269	900269	900269	900269	900269	900269
Boot ...	—	862724	—	—	—	—	—	—
Grommet ...	—	199003	—	—	—	—	—	—
Bulb holder ...	—	54941458	54941458	—	54933910	—	54941458	—
Bulb ...	—	282	282	—	281	—	281	—

† Order separately