

BSA **SPARES**

1954/7

**Models C10L, C11G, C12
250 c.c. S.V. 250 c.c. O.H.V.**

**Rigid, Spring, and
Swinging Arm Frames**

1954 - 1957

MODELS

- CI0L . 250 c.c. S.V. (Spring Frame) 3-speed
- CI0L . 250 c.c. S.V. (Spring Frame) 4-speed
- CI1G . 250 c.c. O.H.V. (Rigid Frame) 3-speed
- CI1G . 250 c.c. O.H.V. (Spring Frame) 3-speed
- CI1G . 250 c.c. O.H.V. (Spring Frame) 4-speed
- CI2 . 250 c.c. O.H.V. (Swinging Arm) 4-speed

CATALOGUE OF



BSA *Motor Cycles*

All communications relating to Spare Parts or Repairs to Motor Cycles to be addressed to B.S.A. Motor Cycles Ltd.
Service Department, Montgomery Street, Birmingham, 11

B.S.A. MOTOR CYCLES LTD.

Registered Offices and Works - - -
Telephones: BIRMINGHAM VICTORIA 2381 (30 lines)

Service, Spares and Repairs Department

ARMOURY ROAD, BIRMINGHAM, 11
Telegrams and Cables: SELMOTO, BIRMINGHAM"

Telephones: VICTORIA 2234 (6 lines)
Telegrams and Cables: "SELSEV BIRMINGHAM"

Contractors to Her Majesty's Government, the War Office, the Admiralty, the Post Office, the Colonial and Foreign Governments

GENERAL INDEX

	<i>Page</i>
Carburettor Settings	78
Clutch and Front Chaincase	22-24
Colour Finishes	3
Electrical Equipment	72-76
Engine (General)	10-14
Engine and Frame Markings	77
Frame and Fittings	24-34
Front Hub and Wheel Fittings	41-46
Front Fork and Fittings	36-41
Gearbox	14-22
Index (Numerical)	79-94
Legshields	70-71
Legshields add Bumper Bars	72-73
Mudguards, Oil Tank, Toolbox, Chainguards, Silencers	55-61
Petrol Tank, Handlebar, Dual Seat, Battery Carrier	53-55, 61-64
Prop Stand, Mudguards, Oil Tank, Toolbox and Chainguard	66-68
Pistons	78
Rear Hub and Wheel Fittings	47-53
Rear Mudguard, Chainguard, Rear Brake Control and Silencer	64-66
Rear Suspension	34-36
Spares and Repairs	4
Stockists	5-9
Tools and Sundries	69-70

**SUFFIX NUMBERS TO BE USED TO IDENTIFY VARYING FINISHES FOR "C" GROUP
MOTOR CYCLES.**

- /1. Cadmium.
- /3. Bright Chrome.
- /7. Black Enamel.
- /36. Maroon and Chrome, lined gold (Petrol Tank) (C11G), (C12).
- /37. B.S.A. Maroon (Hubs) (C11G), (C12).
- /40. Dark Green (Hubs) (C10L).
- /41. Chrome and Maroon (Wheels) (C11G), (C12).
- /42. Chrome and Dark Green (Wheels) (C10L).
- /58. Dark Green, Light Green, lined gold (Petrol Tanks) (C10L).
- /72. Maroon and Green Panel, lined gold and maroon (Petrol Tank) (C12).
- /74. Dark Green, Chrome Panel, lined gold (Petrol Tank) (C10L).

When ordering components with varying finishes—i.e., Petrol Tanks, Wheels, Hubs, Rims—please state finish required by adding the appropriate suffix number to the part number.

Example—Petrol Tank, Model C11G, Maroon and Chrome, lined gold.
29-7802/36.

SPARKING PLUGS.

Champion Sparking Plugs Ltd., Feltham, Middlesex.

ELECTRICAL EQUIPMENT.

J. Lucas Ltd., Great King Street, Birmingham.
Messrs. Wico-Pacy, Denbigh Road, Bletchley, Bucks.

SPEEDOMETERS.

Smith's Motor Accessories Ltd., Cricklewood Works, London.

EVERY OWNER
OF A
B.S.A. MOTOR CYCLE
IS STRONGLY ADVISED
TO BUY ONLY



WHEN REPLACEMENTS
BECOME NECESSARY

Plate 1

ENGINE
C10L, C11G and C12

Plate Ref. Number.	Model.	Part No.	Description.	Number per set.
1	C10L, C11G, C12	66-1705	Engine sprocket alignment washer (.064")	as reqd.
2	C10L, C11G, C12	24-389	Engine sprocket alignment washer (.010")	as reqd.
3	C10L, C11G, C12	29-2027	Engine breather collar	1
4	C10L, C11G, C12	29-1970	Crankcase oil seal	1
5	C10L, C11G, C12	2-51	Crankcase stud nut	10
6	C10L	25-496	Crankcase and barrel stud	4
6	C11G, C12	25-496	Crankcase and barrel stud	6
7	C10L	2-2903	Crankcase and barrel stud washer (spring)	4
7	G11G, C12	2-2903	Crankcase and barrel stud washer (spring)	6
8	C10L	2-46	Crankcase and barrel stud nut	4
8	C11G, C12	2-46	Crankcase and barrel stud nut	6
9	C10L, C11G, C12	*29-1963	Crankcase complete with fixed fittings (drive side)	1
10	C10L, C11G, C12	65-438	Gudgeon pin retaining circlip	2
11	C10L, C11G, C12	65-437	Gudgeon pin	1
12	C10L, C11G, C12	29-776	Crankpin nut	2
13	C10L, C11G, C12	29-2196	Crankpin	1
14	C10L, C11G, C12	29-778	Crankpin roller	15
15	C10L	29-2561	Piston complete with rings, gudgeon pin and retaining circlips	1
16	C10L	65-443	Connecting rod complete	1
16	C11G, C12	29-2276	Connecting rod complete	1
17	C10L	65-730	Piston scraper ring	1
17	C11G, C12	29-2623	Piston scraper ring	1
18	C10L, C11G, C12	29-2620	Piston ring	2
19	C10L, C11G, C12	65-441	Gudgeon pin bush	1
20	C10L	27-6260	Cylinder head bolt (short)	3
21	C10L	29-2017	Cylinder head bolt washer (plain)	8
22	C10L	29-2335	Cylinder head (1954/5)	1
22	C10L	29-1939	Cylinder head (1956)	1
23	C10L	29-2039	Cylinder head gasket...	1
24	C10L	29-2544	Cylinder barrel complete with fixed fittings (1954/5)	1
24	C10L	29-1934	Cylinder barrel with fixed fittings (1956)	1
25	C10L, C11G, C12	27-1366	Carburetter flange joint washer (Hallite)	1
26	C10L	15-1367	Carburetter flange stud	2
—	C10L	29-306	Carburetter (with air bell) (1955/6)	1
—	C10L	29-307	Carburetter (less air bell) (1955/6)	1
—	C11G	29-308	Carburetter (with air bell) (1955)	1
—	C11G, C12	29-309	Carburetter (less air bell) (1955/6)	1
—	C10L	19-2323	Carburetter (1954)	1
—	C11G	19-2322	Carburetter (1954)	1
27	C10L, C11G, C12	2-36	Crankpin key	1
28	C10L, C11G, C12	65-479	Crankpin grub screw	1
29	C10L, C11G, C12	2-49	Carburetter flange stud nut...	2
30	C10L, C11G, C12	24-8784	Carburetter flange stud washer (spring)	2
31	C10L	24-8328	Cylinder head timing bolt	1
32	C10L, C11G, C12	66-102	Sparking plug washer	1
33	C10L	65-113	Sparking plug	1
33	C11G, C12	65-114	Sparking plug	1
34	C10L	27-5156	Cylinder head bolt (long)	4
34A	C10L	29-2033	Cylinder head and engine steady stay bolt	1
34B	C10L	2-923	Cylinder head and engine steady stay bolt washer	1
34C	C10L	2-49	Cylinder head and engine steady stay bolt nut	1
34D	C10L	29-2032	Engine steady stay	1
35	C10L	29-2120	Inlet valve	1
36	C10L, C11G	31-106	Valve spring	2
36	C11G, C12	31-106	Valve spring (outer)	2
37	C10L	29-2121	Exhaust valve...	1
38	C10L	29-2110	Exhaust valve guide	1
39	C10L	66-221	Valve spring cup	2
40	C10L, C11G, C12	29-410	Valve spring split collar	4 halves
41	C10L	29-252	Tappet head adjuster	2
42	C10L	24-6040	Tappet head locknut	2
43	C10L	29-2180	Inlet and exhaust tappet	2
44	C10L	65-42	Inlet and exhaust tappet guide	2
45	C10L, C11G, C12	29-1994	Cam rocker spindle	1
46	C10L	29-2148	Inlet and exhaust cam rocker	2
47	C10L, C11G, C12	29-2171	Cam rocker spindle distance piece	1
48	C10L, C11G, C12	29-2170	Cam rocker spindle circlip	1
49	C10L, C11G, C12	29-2162	Camshaft pinion	1
50	C10L, C11G, C12	2-36	Camshaft pinion key	1
51	C10L	29-2075	Camshaft	1
51	C11G	29-2076	Camshaft (1955)	1
51	C12	29-2076	Camshaft (1956)	1

* C10L supplied only as crankcase complete (assembled) 2 halves 29-1961. C11G, C12 supplied only as crankcase complete (assembled) 2 halves 29-1973

Plate 1

ENGINE
C10L, C11G and C12

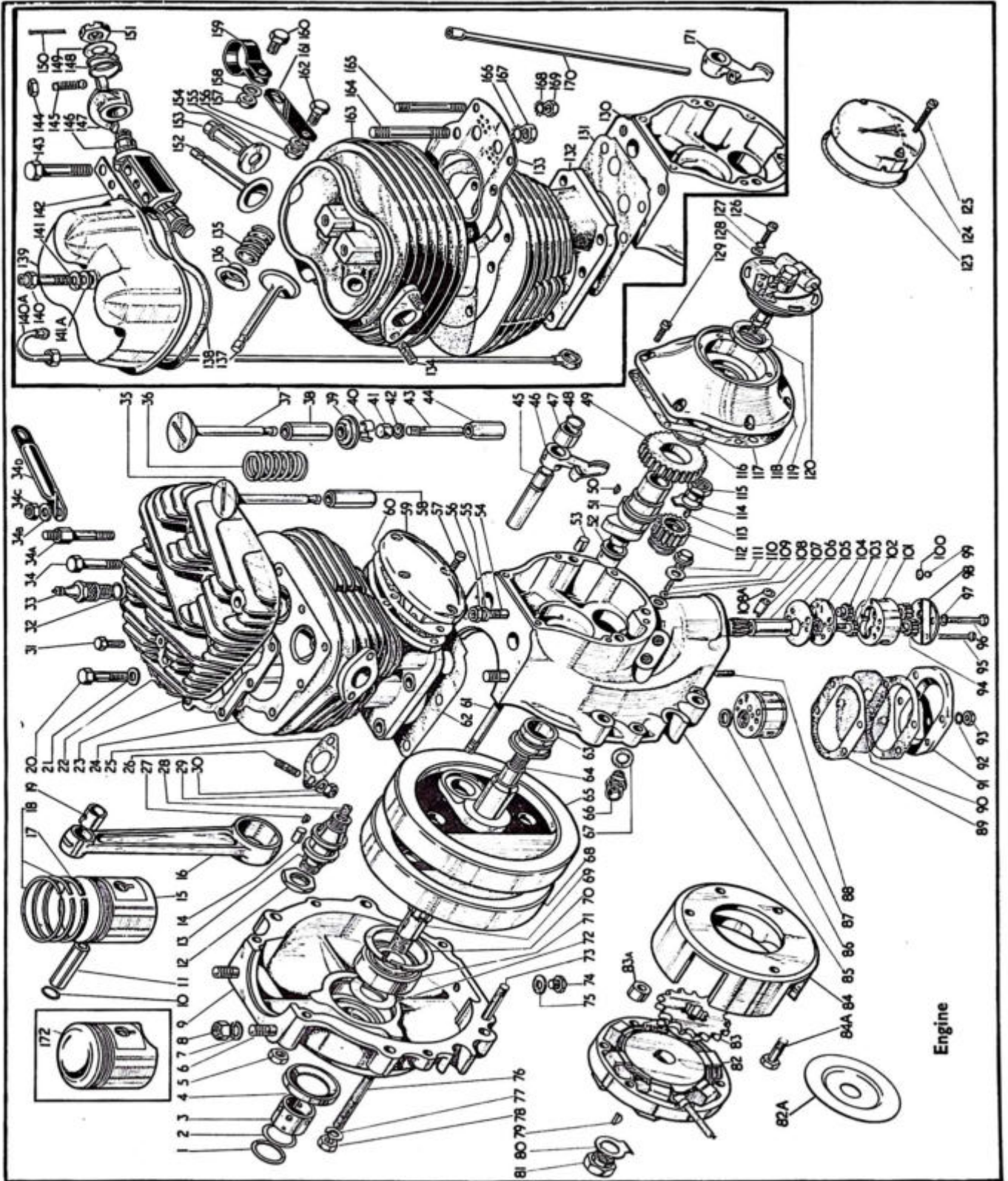


Plate 1—continued.

ENGINE
C10L, C11G and C12

Plate Ref. Number.	Model.	Part No.	Description.	Number per set.
52	... C10L, C11G, C12	... 29-2141	... Camshaft crankcase bush ...	1
53	... C10L, C11G, C12	... 27-1589	... Timing cover dowel ...	2
54	... C10L	... 29-565	... Crankcase and barrel stud (front)	1
55	... C10L	... 24-8784	... Crankcase and barrel nut washer (spring)	1
56	... C10L	... 15-6524	... Crankcase and barrel stud nut (front)	1
57	... C10L	... 66-1933	... Tappet cover screw ...	4
58	... C10L	... 29-2109	... Inlet valve guide ...	1
59	... C10L	... 29-2028	... Tappet cover (1954/5) ...	1
59	... C10L	... 29-1941	... Tappet cover (1956) ...	1
60	... C10L	... 29-2159	... Tappet cover washer (paper) (1954/5)	1
60	... C10L	... 29-1942	... Tappet cover washer (1956) ...	1
61	... C10L, C11G, C12	... 29-2332	... Crankcase stud (top)...	2
62	... C10L	... 29-2111	... Cylinder base washer ...	1
63	... C10L, C11G	... 65-2052	... Engine shaft bush (gear side)	1
64	... C10L, C11G, C12	... 65-617	... Engine shaft (gear side) ...	1
65	... C10L, C11G, C12	... 65-554	... Flywheel and shaft assembled (gear side)	1
66	... C10L, C11G, C12	... 65-2252	... Crankcase oil pipe adaptor ...	2
67	... C10L, C11G, C12	... 66-1683	... Crankcase oil pipe adaptor washer (fibre)	2
68	... C10L, C11G, C12	... 29-1986	... Flywheel and shaft assembled (drive side)	1
69	... C10L, C11G, C12	... 29-1988	... Engine shaft (drive side) ...	1
70	... C10L, C11G, C12	... 66-1701	... Crankcase bearing spring ring	1
71	... C10L, C11G, C12	... 24-732	... Crankcase bearing (drive side)	1
72	... C10L, C11G, C12	... 24-2112	... Crankcase bearing oil retaining washer (drive side)	2
73	... C10L, C11G, C12	... 27-279	... Crankcase stud (short) ...	4
74	... C10L, C11G, C12	... 28-243	... Crankcase drain plug ...	1
75	... C10L, C11G, C12	... 2-4553	... Crankcase drain plug washer (fibre)	1
76	... C10L, C11G, C12	... 29-1971	... Alternator stator fixing stud ...	4
77	... C10L, C11G, C12	... 2-1462	... Alternator stator fixing stud washer (spring)	6
78	... C10L, C11G, C12	... 2-2395	... Alternator stator fixing stud nut ...	6
79	... C10L, C11G, C12	... 29-925	... Alternator key ...	1
80	... C10L, C11G	... 29-2024	... Engine shaft lockwasher ...	1
81	... C10L, C11G	... 29-2023	... Engine shaft nut ...	1
81	... C12	... 29-2053	... Engine shaft nut ...	1
82	... C10L	... 29-1975	... Alternator (Wico Pacy) (1954 5)	1
82	... C10L	... 29-1978	... Alternator (Wico Pacy) (1956)/	1
82	... C11G	... 29-1974	... Alternator (Lucas) ...	1
82	... C12	... 29-1976	... Alternator (Lucas) ...	1
82A	... C10L, C11G, C12	... 29-2031	... Alternator spinner ...	1
83	... C10L	... 29-1999	... Engine sprocket (16T) ...	1
83	... C11G, C12	... 29-2034	... Engine sprocket (17T) ...	1
84	... C10L, C11G	... 29-1977	... Alternator housing ...	1
85	... C10L	... *29-1966	... Crankcase complete with fixed fittings (gear side)	1
86	... C10L, C11G, C12	... 65-2606	... Oil pump top plate washer	1
87	... C10L, C11G	... 65-2619	... Oil pump complete (1954/5)...	1
87	... C10L, C12	... 65-2589	... Oil pump complete (1956) ...	1
88	... C10L, C11G, C12	... 31-222	... Crankcase scavenger cover stud	4
89	... C10L, C11G, C12	... 65-2612	... Crankcase scavenge cover washer	2
90	... C10L, C11G, C12	... 65-2623	... Oil pump filter ...	1
91	... C10L, C11G, C12	... 65-2611	... Crankcase scavenge cover ...	1
92	... C10L, C11G, C12	... 2-1462	... Crankcase scavenge cover washer (spring)	4
93	... C10L, C11G, C12	... 2-51	... Crankcase scavenge cover stud nut	4
94	... C10L, C11G	... †65-2599	... Oil pump scavenge gear (1954/5)	2
94	... C10L, C12	... 65-2590	... Oil pump scavenge gear (1956)	2
95	... C10L, C11G, C12	... 65-2604	... Oil pump fixing bolt	2
96	... C10L, C11G, C12	... 15-848	... Oil pump bolt...	2
97	... C10L, C11G, C12	... 24-978	... Oil pump fixing bolt washer (spring)	2
98	... C10L, C11G, C12	... 65-2625	... Oil pump bottom plate complete	1
99	... C10L, C11G, C12	... 7/32" dia.	... Oil pump valve body ball ...	1
100	... C10L, C11G, C12	... 65-2622	... Oil pump valve body circlip	1
101	... C10L, C11G, C12	... 65-2596	... Oil pump body ...	1
102	... C10L, C11G	... †65-2601	... Oil pump feed gear (driver) (1954/5)	1
102	... C10L, C12	... 65-2592	... Oil pump feed gear (driver) (1956)	1
103	... C10L, C11G	... †65-2600	... Oil pump feed gear (driven) (1954/5)	1
103	... C10L, C12	... 65-2591	... Oil pump feed gear (driven) (1956)	1
104	... C10L, C11G, C12	... 65-2598	... Oil pump top plate ...	1
105	... C10L, C11G, C12	... 65-2618	... Oil pump and crankcase joint washer (fibre)	1
106	... C10L, C11G, C12	... 65-2602	... Oil pump driving spindle ...	1
107	... C10L, C11G, C12	... 65-2603	... Oil pump driving retaining pin	1
108	... C10L, C11G, C12	... 3/16" dia.	... Crankcase oil valve ball ...	1
109	... C10L, C11G, C12	... 66-1682	... Crankcase oil valve spring ...	1

* C10L supplied only as crankcase complete (assembled) 2 halves 29-1961.
 † 65-2599 replaced by 65-2590(2). 65-2600 replaced by 65-2591. 65-2601 replaced by 65-2592.
 For replacement purposes these gears are only supplied in sets of four.

Plate 1—continued.

ENGINE
C10L, C11G and C12

Plate Ref. Number.	Model.	Part No.	Description.	Number per set.
110	... C10L, C11G, C12	... 66-1683	... Crankcase oil valve retaining screw washer (fibre)	... 1
111	... C10L, C11G, C12	... 65-2188	... Crankcase oil valve retaining screw	... 1
112	... C10L, C11G, C12	... 29-2182	... Engine shaft timing pinion	... 1
113	... C10L, C11G, C12	... 15-40	... Engine shaft timing pinion key	... 1
114	... C10L, C11G, C12	... 15-1410	... Engine shaft timing pinion locking washer	... 1
115	... C10L, C11G, C12	... 65-691	... Engine shaft timing pinion nut	... 1
116	... C10L, C11G, C12	... 29-1995	... Contact breaker casing bush	... 1
117	... C10L, C11G, C12	... 29-1997	... Contact breaker casing joint washer (paper)	... 1
118	... C10L	... 29-1979	... Contact breaker casing complete with fixed fittings	... 1
118	... C11G, C12	... 29-1981	... Contact breaker casing complete with fixed fittings	... 1
119	... C10L, C11G, C12	... 29-1996	... Camshaft oil seal	... 1
120	... C10L	... 19-57	... Contact breaker (Wico Pacy) (1954/5)	... 1
120	... C11G	... 29-2071	... Contact breaker (Lucas) (1954/5)	... 1
120	... C12	... 29-2071	... Contact breaker (Lucas) (1956)	... 1
120	... C10L	... 29-2070	... Contact breaker (Wico Pacy) (1956)	... 1
121	... C10L, C11G, C12	... 27-8560	... Contact breaker bolt washer (plain)	... 1
122	... C10L, C11G, C12	... 29-1998	... Contact breaker bolt	... 1
123	... C10L, C11G, C12	... 29-1985	... Contact breaker outer cover joint washer (paper)	... 1
124	... C10L, C11G, C12	... 29-1972	... Contact breaker casing outer cover	... 1
125	... C10L, C11G, C12	... 29-1984	... Contact breaker casing outer cover screw	... 2
126	... C10L, C11G, C12	... 29-1983	... Contact breaker screw	... 2
127	... C10L, C11G, C12	... 29-3319	... Contact breaker washer (shakeproof)	... 2
128	... C10L, C11G, C12	... 2-1096	... Contact breaker washer (plain)	... 2
129	... C10L, C11G, C12	... 65-2158	... Contact breaker casing screw	... 6
130	... C11G, C12	... *29-1969	... Crankcase complete with fixed fittings (gear side)	... 1
131	... C11G, C12	... 29-2262	... Cylinder base washer (paper)	... 1
132	... C11G, C12	... 29-1950	... Cylinder barrel	... 1
133	... C11G, C12	... 29-2265	... Cylinder head gasket...	... 1
134	... C11G, C12	... 15-1367	... Carburetter flange stud	... 2
135	... C11G, C12	... 31-108	... Valve spring (inner)	... 2
136	... C11G, C12	... 31-111	... Valve spring collar	... 2
137	... C11G, C12	... 29-2124	... Inlet valve	... 1
138	... C11G, C12	... 29-2261	... Valve rocker cover joint washer (Hallite)	... 1
139	... C11G, C12	... 29-2029	... Valve rocker cover	... 1
140	... C11G	... 65-109	... Valve rocker cover bolt (1954/5)	... 1
140	... C12	... 29-2092	... Valve rocker cover and oil feed bolt	... 1
140A	... C12	... 29-2086	... Rocker oil feed pipe complete	... 1
141	... C11G, C12	... 2-4553	... Valve rocker cover bolt washer (fibre)	... 1
141A	... C12	... 2-537	... Valve rocker cover bolt washer	... 1
142	... C11G	... 29-2269	... Valve rocker trunnion locking plate (1954/5)	... 2
142	... C12	... 45-2454	... Valve rocker trunnion locking plate	... 1
143	... C11G, C12	... 29-2267	... Valve rocker trunnion bolt	... 2
144	... C11G, C12	... 24-563	... Rocker adjusting screw nut	... 2
145	... C11G, C12	... 29-2271	... Rocker adjusting screw	... 2
146	... C11G	... 29-2266	... Valve rocker trunnion (1954/5)	... 1
146	... C12	... 29-2091	... Valve rocker trunnion	... 1
147	... C11G, C12	... 29-2268	... Inlet and exhaust valve rocker	... 2
148	... C11G, C12	... 29-2270	... Rocker fulcrum pin spring	... 2
149	... C11G, C12	... 24-5914	... Rocker trunnion washer	... 2
150	... C11G, C12	... 35-698	... Rocker trunnion nut split pin	... 2
151	... C11G, C12	... 28-118	... Rocker trunnion nut	... 2
152	... C11G, C12	... 65-208	... Exhaust valve...	... 1
153	... C11G, C12	... 65-37	... Inlet and exhaust valve guides	... 2
154	... C11G, C12	... 15-1215	... Inlet and exhaust valve spring cup	... 2
155	... C11G, C12	... 2-49	... Cylinder head and engine steady strap bolt nut	... 1
156	... C11G, C12	... 24-8784	... Cylinder head and engine steady strap bolt washer	... 1
157	... C10L, C11G, C12	... 2-49	... Engine steady strap down tube clip bolt nut	... 1
158	... C10L, C11G, C12	... 24-8784	... Engine steady strap down tube clip bolt washer	... 1
159	... C10L, C11G, C12	... 29-1208	... Engine steady strap down tube clip	... 1
160	... C10L, C11G, C12	... 24-6770	... Engine steady strap down tube clip bolt	... 1
161	... C11G, C12	... 29-2026	... Engine steady strap	... 1
162	... C11G, C12	... 27-6037	... Cylinder head and engine steady strap bolt	... 1
163	... C11G, C12	... 29-1954	... Cylinder head with fixed fittings	... 1
164	... C11G, C12	... 29-1956	... Cylinder head stud	... 5
165	... C11G, C12	... 29-1957	... Cylinder head stud	... 2
166	... C11G, C12	... 66-4707	... Cylinder head stud washer	... 5
167	... C11G, C12	... 2-46	... Cylinder head stud nut	... 5
168	... C11G, C12	... 36-382	... Cylinder head stud washer	... 2
169	... C11G, C12	... 2-49	... Cylinder head stud nut	... 2

* C11G, C12 supplied only as crankcase complete (assembled) 2 halves 29-1973.

Plate 1—continued.

ENGINE
C10L, C11G and C12

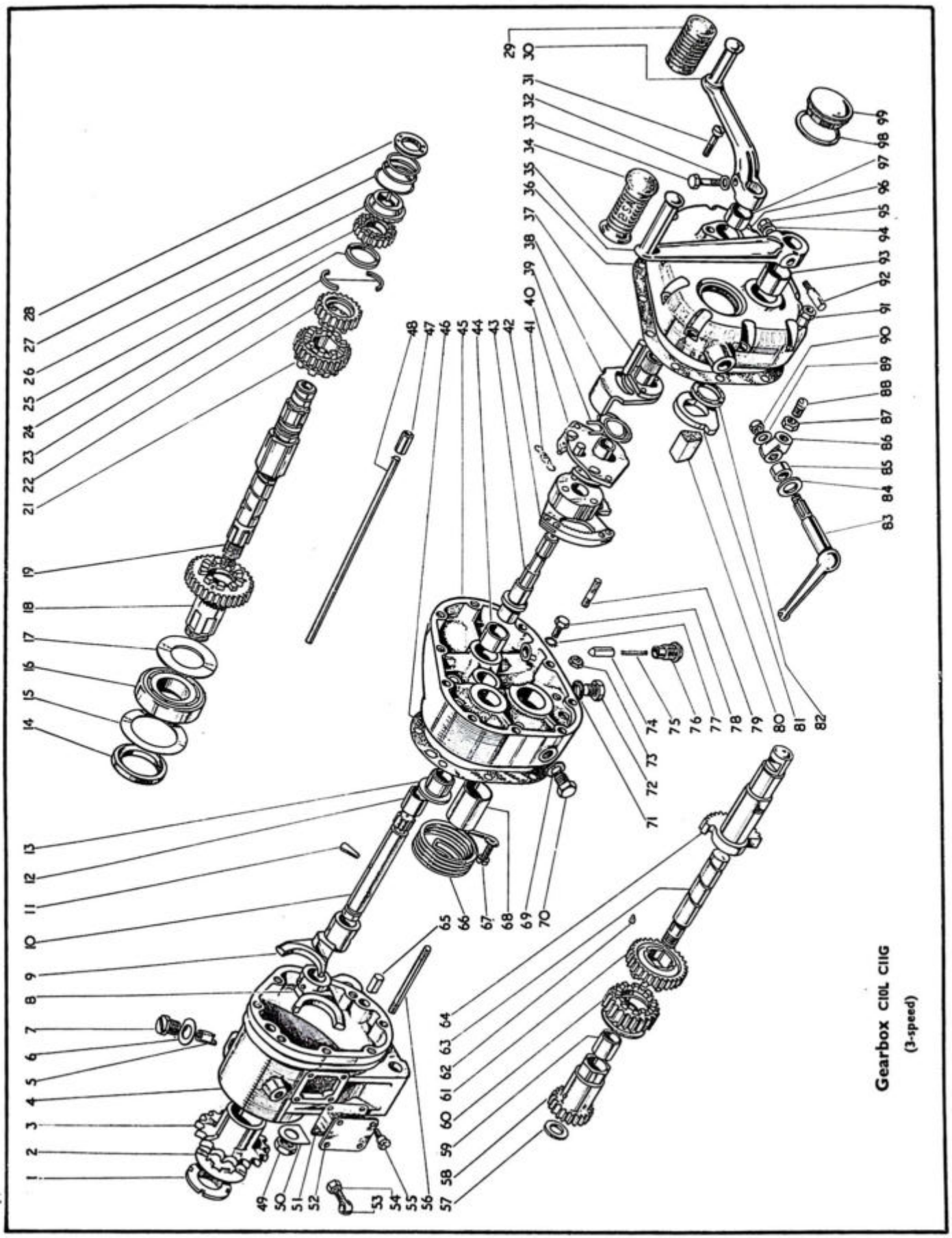
Plate Ref. Number.	Model.	Part No.	Description.	Number per set.
170 ...	C11G, C12	... 29-224	... Valve push rod ...	2
171 ...	C11G, C12	... 29-2285	... Inlet and exhaust cam rocker ...	2
172 ...	C11G, C12	... 29-2568	... Piston complete with rings, gudgeon pin and circlips ...	1
— ...	C10L	... 29-1920	... Exhaust pipe complete ...	1
— ...	C11G, C12	... 29-2995	... Exhaust pipe complete ...	1
— ...	C11G Rigid	... 29-2971	... Exhaust pipe (1954) ...	1

Plate 2

GEARBOX
C10L, C11G (three-speed).

Plate Ref. Number.	Model.	Part No.	Description.	Number per set.
1 ...	C10L, C11G	... 27-4057	... Gearbox sprocket locknut ...	1
2 ...	C10L, C11G	... 27-4063	... Gearbox sprocket locking washer ...	1
3 ...	C10L	... 29-3783	... Gearbox sprocket (19T) ...	1
3 ...	C11G	... 29-3432	... Gearbox sprocket (17T) ...	1
4 ...	C10L, C11G	... 29-3254	... Gearbox shell complete with fixed fittings ...	1
4 ...	C10L, C11G	... 29-3255	... Gearbox shell only ...	1
5 ...	C10L, C11G	... 65-2603	... Gear control shaft retaining pin ...	1
6 ...	C10L, C11G	... 66-3250	... Gear control shaft lockwasher ...	1
7 ...	C10L, C11G	... 29-3243	... Gear control shaft retaining plug pin ...	1
8 ...	C10L, C11G	... 29-3286	... Gear operating fork (layshaft) (low gear) ...	1
9 ...	C10L, C11G	... 29-3284	... Gear operating fork (mainshaft) (high gear) ...	1
10 ...	C10L, C11G	... 29-3282	... Gear control shaft ...	1
11 ...	C10L, C11G	... 66-3291	... Gear control shaft peg ...	2
12 ...	C10L, C11G	... 29-3266	... Gear control shaft bush (inner cover) ...	1
13 ...	C10L, C11G	... 15-268	... Gearbox mainshaft bush (inner cover) ...	1
14 ...	C10L, C11G	... 29-3272	... Gearbox mainshaft oil seal ring ...	1
15 ...	C10L, C11G	... 29-3274	... Gearbox mainshaft oil seal shim ...	1
16 ...	C10L, C11G	... 27-4027	... Gearbox mainshaft ballrace ...	1
17 ...	C10L, C11G	... 27-4033	... Gearbox oil retaining washer ...	1
18 ...	C10L, C11G	... 29-3825	... Gearbox pinion sleeve ...	1
19 ...	C10L, C11G	... 29-3781	... Gearbox mainshaft ...	1
21 ...	C10L, C11G	... 27-4424	... Gearbox mainshaft sliding pinion (27T) ...	1
22 ...	C10L, C11G	... 27-4429	... Gearbox mainshaft pinion (22T) ...	1
23 ...	C10L, C11G	... 27-4093	... Gearbox mainshaft split washer ...	1
24 ...	C10L, C11G	... 27-4099	... Gearbox mainshaft split washer retaining ring ...	1
25 ...	C10L, C11G	... 27-4106	... Gearbox kickstarter ratchet pinion ...	1
26 ...	C10L, C11G	... 27-4112	... Gearbox kickstarter ratchet... ...	1
27 ...	C10L, C11G	... 27-4447	... Gearbox kickstarter ratchet spring ...	1
28 ...	C10L, C11G	... 15-267	... Gearbox kickstarter ratchet spring nut ...	1
29 ...	C10L, C11G	... 29-3250	... Gearbox operating lever spindle rubber ...	1
30 ...	C10L, C11G	... 29-3412	... Gear control operating lever ...	1
31 ...	C10L, C11G	... 65-2162	... Gearbox cover screw ...	3
32 ...	C10L, C11G	... 2-525	... Gear operating lever clamp bolt washer ...	1
33 ...	C10L, C11G	... 65-3361	... Gear operating pedal clamp bolt ...	1
34 ...	C10L, C11G	... 65-3397	... Kickstarter crank rubber ...	1
35 ...	C11G	... 65-3381	... Kickstarter crank (3-speed gearbox) ...	1
35 ...	C10L	... 65-3381	... Kickstarter crank ...	1
35 ...	C11G Rigid	... 29-3244	... Kickstarter crank (1954) ...	1
36 ...	C10L, C11G	... 29-3312	... Gearbox outer cover washer ...	1
37 ...	C10L, C11G	... 29-3269	... Footchange return spring stop ...	1
38 ...	C10L, C11G	... 66-3415	... Footchange operating plate and sleeve ...	1
39 ...	C10L, C11G	... 29-3302	... Footchange return spring ...	1
40 ...	C10L, C11G	... 29-3404	... Pawl carrier plate ...	1
41 ...	C10L, C11G	... 29-3303	... Pawl spring ...	1
42 ...	C10L, C11G	... 29-3298	... Gear control quadrant ...	1
43 ...	C10L, C11G	... 29-3248	... Gear operating spindle ...	1
44 ...	C10L, C11G	... 29-3265	... Gear operating spindle bush ...	1
45 ...	C10L, C11G	... 29-3258	... Gearbox inner cover complete with fixed fittings ...	1
46 ...	C10L, C11G	... 29-3313	... Gearbox inner cover washer ...	1
47 ...	C10L, C11G	... 29-3260	... Clutch push rod bush (mainshaft)...	1
48 ...	C10L, C11G	... 29-3475	... Clutch push rod (three-speed) ...	1
49 ...	C10L, C11G	... 2-1925	... Layshaft nut ...	1

GEARBOX
C10L and C11G (3-speed)



Gearbox C10L C11G
(3-speed)

Plate 2—continued.

GEARBOX
C10L and C11G (3-speed).

Plate Ref. Number.	Model.	Part No.	Description.	Number per set.							
50	...	C10L, C11G	...	29-3289	...	Layshaft nut locking washer	1
51	...	C10L, C11G	...	29-3297	...	Gearbox inspection cover washer	1
52	...	C10L, C11G	...	29-3296	...	Gearbox inspection cover	1
53	...	C10L, C11G	...	27-1163	...	Clutch cable stop	1
54	...	C10L, C11G	...	2-443	...	Clutch cable stop locknut	1
55	...	C10L, C11G	...	27-4258	...	Gearbox inspection cover screw	4
56	...	C10L, C11G	...	29-3304	...	Gearbox cover stud (long)	5
57	...	C10L, C11G	...	27-4276	...	Layshaft thrust washer	1
58	...	C10L, C11G	...	29-3837	...	Layshaft pinion sleeve	1
59	...	C10L, C11G	...	27-4290	...	Layshaft sleeve bush...	2
60	...	C10L, C11G	...	27-4436	...	Layshaft sliding pinion	1
61	...	C10L, C11G	...	27-4146	...	Layshaft pinion (30T)	1
62	...	C10L, C11G	...	27-347	...	Layshaft key	1
63	...	C10L, C11G	...	29-3288	...	Layshaft	1
64	...	C10L, C11G	...	29-3290	...	Kickstarter quadrant...	1
65	...	C10L, C11G	...	27-1589	...	Gearbox inner cover dowel	2
66	...	C10L, C11G	...	29-3307	...	Kickstarter crank return spring	1
67	...	C10L, C11G	...	24-4214	...	Kickstarter spring anchor pin	1
68	...	C10L, C11G	...	29-3267	...	Kickstarter quadrant bush (inner cover)	1
69	...	C10L, C11G	...	2-4553	...	Gearbox oil level plug washer (fibre)	1
70	...	C10L, C11G	...	28-243	...	Gearbox oil level plug	1
71	...	C10L, C11G	...	2-4553	...	Gearbox drain plug washer (fibre)	1
72	...	C10L, C11G	...	28-243	...	Gearbox drain plug	1
73	...	C10L, C11G	...	2-53	...	Kickstarter spring anchor pin nut...	1
74	...	C10L, C11G	...	15-4035	...	Gear control plunger	2
75	...	C10L, C11G	...	24-68	...	Gear control plunger spring	2
76	...	C10L, C11G	...	15-4040	...	Gear control plunger spring cup plug	1
77	...	C10L, C11G	...	29-541	...	Gearbox inner cover bolt washer (shakeproof)	3
78	...	C10L, C11G	...	21-2889	...	Gearbox inner cover bolt	3
79	...	C10L, C11G	...	65-2152	...	Gearbox inner cover stud	2
80	...	C10L, C11G	...	29-3308	...	Kickstarter return stop rubber	1
81	...	C10L, C11G	...	65-3296	...	Kickstarter return stop plate	2
82	...	C10L, C11G	...	65-3354	...	Kickstarter quadrant washer (cork)	1
83	...	C10L, C11G	...	29-3245	...	Clutch control lever	1
85	...	C10L, C11G	...	66-3256	...	Clutch operating spindle distance piece	1
86	...	C10L, C11G	...	66-3421	...	Clutch operating spindle lug complete with ball	1
87	...	C10L, C11G	...	2-2395	...	Clutch push rod thrust pin nut	1
88	...	C10L, C11G	...	29-3794	...	Clutch push rod thrust pin	1
89	...	C10L, C11G	...	31-424	...	Clutch operating spindle nut lockwasher	1
90	...	C10L, C11G	...	15-6524	...	Clutch operating spindle nut	1
91	...	C10L, C11G	...	29-3242	...	Gearbox cover stud nut	7
92	...	C10L, C11G	...	2-2579	...	Kickstarter crank cotter pin	1
93	...	C10L, C11G	...	29-3268	...	Kickstarter quadrant bush (outer cover)	1
94	...	C10L, C11G	...	15-5155	...	Kickstarter crank cotter pin washer	1
95	...	C10L, C11G	...	2-2578	...	Kickstarter crank cotter pin nut	1
96	...	C10L, C11G	...	29-3240	...	Gearbox outer cover with fixed fittings	1
97	...	C10L, C11G	...	29-3265	...	Gear operating spindle bush	1
98	...	C10L, C11G	...	67-42	...	Gearbox outer cover plug washer (leather)	1
99	...	C10L, C11G	...	65-3364	...	Gearbox outer cover plug	1
—	...	C10L, C11G	...	29-3183	...	Mainshaft packing washer	as reqd.
—	...	C10L, C11G	...	29-3184	...	Mainshaft packing washer	as reqd.
—	...	C10L, C11G	...	29-3287	...	Layshaft packing washer	as reqd.
—	...	C10L, C11G	...	29-3314	...	Footchange plate stop	2
—	...	C10L, C11G	...	2-498	...	Footchange plate stop screw	2
—	...	C10L, C11G	...	29-3319	...	Footchange plate stop washer	2

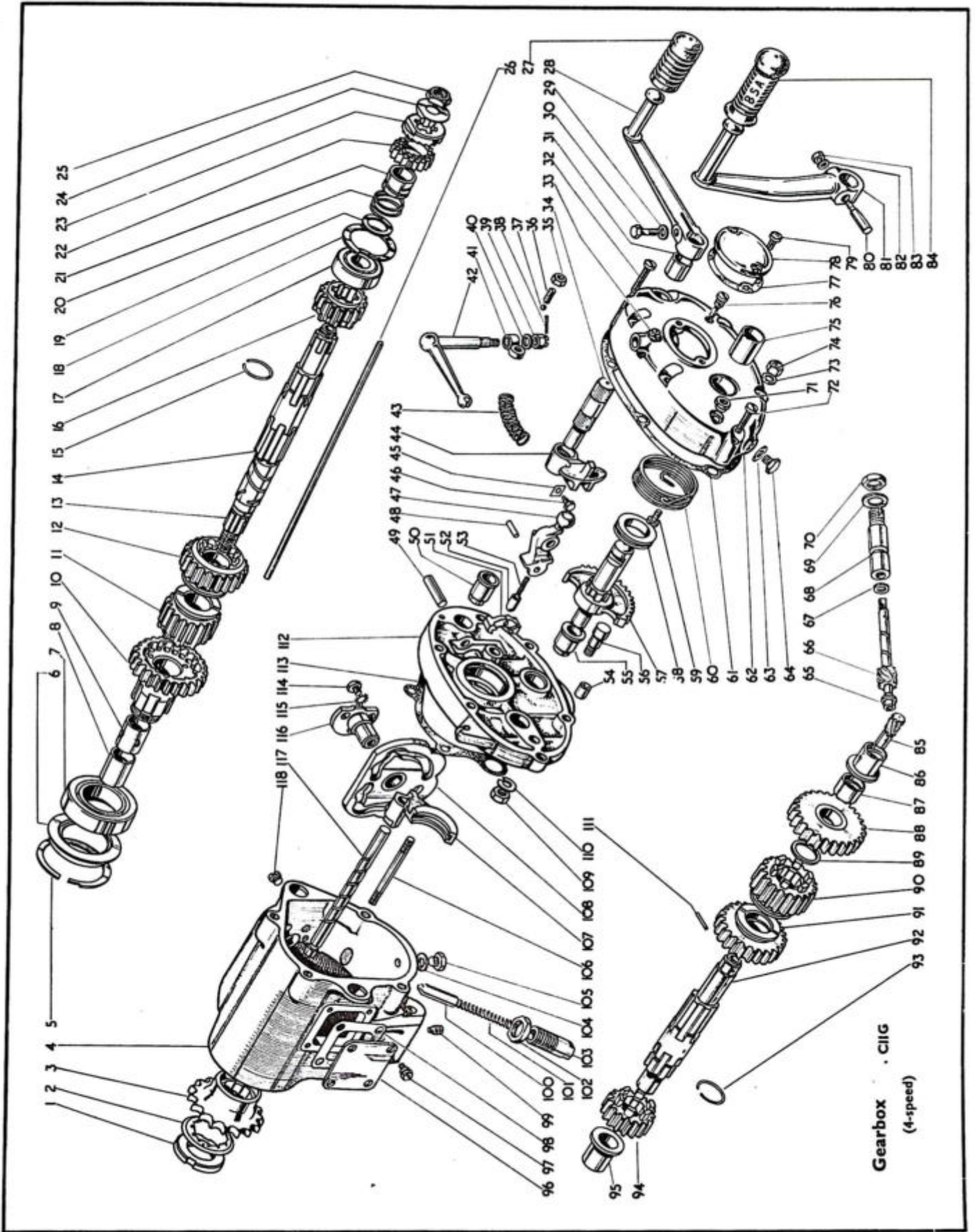
Plate 3

GEARBOX
C11G (4-speed).

Plate Ref. Number.	Model.	Part No.	Description.	Number per set.							
1	...	C11G	...	67-3053	...	Gearbox sprocket nut	1
2	...	C11G	...	24-4263	...	Gearbox sprocket locking washer	1
3	...	C11G	...	29-3450	...	Gearbox sprocket (17T)	1
4	...	C11G	...	29-3444	...	Gearbox casing complete with fixed fittings	1

Plate 3

GEARBOX
C11G (4-speed)



Gearbox - C11G
(4-speed)

Plate 3—continued.

GEARBOX
C11G (4-speed)

Plate Ref. Number.	Model.	Part No.	Description.	Number per set.
5	...	C11G ... 67-3026	Ball bearing spring ring ...	1
6	...	C11G ... 67-3067	Gearbox sprocket oil seal ...	1
7	...	C11G ... 24-4065	Constant mesh gear ball bearing ...	1
8	...	C11G ... 67-3073	Constant mesh gear bush ...	1
9	...	C11G ... 67-3073	Constant mesh gear bush (drilled) ...	1
10	...	C11G ... 67-3192	Constant mesh gear with bush (26T) ...	1
11	...	C11G ... 67-3201	Mainshaft sliding gear (20T) ...	1
12	...	C11G ... 67-3202	Mainshaft sliding gear (24T) ...	1
13	...	C11G ... 29-3784	Mainshaft with gear ...	1
14	...	C11G ... 29-3782	Gearbox mainshaft ...	1
15	...	C11G ... 67-3101	Mainshaft and layshaft gear locating ring ...	1
16	...	C11G ... 67-3191	Gearbox mainshaft gear (16T) ...	1
17	...	C11G ... 24-4217	Mainshaft bearing ...	1
18	...	C11G ... 67-3028	Mainshaft bearing spring ring ...	1
19	...	C11G ... 67-3161	Kickstarter ratchet pinion sleeve washer ...	1
20	...	C11G ... 67-3162	Kickstarter ratchet spring ...	1
21	...	C11G ... 67-3169	Kickstarter ratchet pinion bush ...	1
22	...	C11G ... 67-3168	Kickstarter ratchet pinion ...	1
23	...	C11G ... 67-3167	Kickstarter ratchet ...	1
24	...	C11G ... 67-3164	Kickstarter ratchet and mainshaft lockwasher ...	1
25	...	C11G ... 67-3163	Kickstarter ratchet and mainshaft nut ...	1
26	...	C11G ... 29-3477	Clutch push rod ...	1
27	...	C11G ... 29-3250	Foot operating lever rubber ...	1
28	...	C11G ... 65-3380	Gear change operating lever ...	1
29	...	C11G ... 2-525	Foot operating lever screw washer (plain) ...	1
30	...	C11G ... 65-3361	Selector lever foot operating screw ...	1
31	...	C11G ... 67-3140	Gearchange lever spindle bush ...	1
32	...	C11G ... 67-1706	Outer cover fixing screw (long) ...	2
33	...	C11G ... 28-2080	Outer cover grease nipple ...	1
34	...	C11G ... 67-3147	Selector lever spindle ...	1
35	...	C11G ... 3-720	Clutch push rod adjusting screw nut ...	1
36	...	C11G ... 65-3403	Clutch push rod adjusting screw ...	1
37	...	C11G ... 1/4" dia.	Clutch push rod adjusting screw ball ...	1
38	...	C11G ... 35-702	Clutch push rod lever nut split pin ...	1
39	...	C11G ... 15-1485	Clutch push rod lever nut ...	1
40	...	C11G ... 2-525	Clutch push rod lever washer (plain) ...	1
41	...	C11G ... 65-3360	Clutch push rod lever ...	1
42	...	C11G ... 67-3180	Clutch operating lever ...	1
43	...	C11G ... 67-3146	Selector lever return spring ...	2
44	...	C11G ... 67-3143	Selector lever ...	1
45	...	C11G ... 67-3145	Selector lever screw lockwasher ...	1
46	...	C11G ... 67-3144	Selector lever screw ...	1
—	...	C11G ... 67-3130	Gearchange selector arm complete ...	1
47	...	C11G ... 67-3131	Gearchange selector arm ...	1
48	...	C11G ... 67-3133	Gearchange selector arm claw pivot ...	1
49	...	C11G ... 67-3136	Gearchange selector arm pivot pin ...	1
50	...	C11G ... 67-3170	Footchange lever spindle bush ...	1
51	...	C11G ... 67-3132	Gearchange selector arm claw ...	1
52	...	C11G ... 67-3134	Gearchange selector arm plunger ...	1
53	...	C11G ... 67-3135	Gearchange selector arm plunger spring ...	1
54	...	C11G ... 66-3074	Dowel ...	2
55	...	C11G ... 67-3151	Kickstarter spindle bush ...	1
56	...	C11G ... 67-3152	Kickstarter quadrant stop ...	1
57	...	C11G ... *67-3178	Kickstarter crank spindle assembly ...	1
58	...	C11G ... 67-3173	Kickstarter spindle sleeve ...	1
59	...	C11G ... 2-3718	Kickstarter spring screw ...	1
60	...	C11G ... 67-3174	Kickstarter spring ...	1
61	...	C11G ... 67-3032	Gearbox outer cover joint washer ...	1
62	...	C11G ... 67-3021	Gearbox outer cover with fixed fittings ...	1
63	...	C11G ... 2-4553	Oil level plug washer (fibre) ...	1
64	...	C11G ... 28-243	Oil level plug ...	1
65	...	C11G ... 65-3377	Speedometer gear bush ...	1
66	...	C11G ... 67-3175	Speedometer driven gear ...	1
67	...	C11G ... 65-3375	Speedometer driven gear thrust washer ...	1
68	...	C11G ... 65-3390	Speedometer driven gear bush ...	1
69	...	C11G ... 65-3392	Speedometer driven gear bush washer (fibre) ...	1
70	...	C11G ... 65-3391	Speedometer driven gear bush nut ...	1
71	...	C11G ... 27-4401	Kickstarter spring screw locknut ...	1
72	...	C11G ... 67-1705	Outer cover fixing screw (short) ...	1
73	...	C11G ... 2-923	Outer cover fixing nut washer (plain) ...	4

* Supplied as 67-3374 kickstart spindle and quadrant and 67-3376 kickstart ratchet pinion.

Plate 3—continued.

GEARBOX
C11G (4-speed)

Plate Ref. Number.	Model.	Part No.	Description.	Number per set.
74 ...	C11G	67-3034	Outer cover fixing nut	4
75 ...	C11G	67-3153	Kickstarter lever spindle bush	1
76 ...	C11G	67-3176	Speedometer driven gear retaining pin	1
77 ...	C11G	67-3033	Inspection cover joint washer (fibre)	1
78 ...	C11G	67-3024	Inspection cover	1
79 ...	C11G	24-7178	Inspection cover fixing screw	2
80 ...	C11G	2-2579	Kickstarter crank cotter	1
81 ...	C11G	29-3455	Kickstarter crank	1
82 ...	C11G	15-5155	Kickstarter crank cotter washer (plain)	1
83 ...	C11G	2-2578	Kickstarter crank cotter pin	1
84 ...	C11G	65-3397	Kickstarter crank rubber	1
85 ...	C11G	67-3088	Speedometer driving gear	1
86 ...	C11G	67-3099	Layshaft bush	1
87 ...	C11G	67-3093	Layshaft gear bush	1
88 ...	C11G	67-3199	Layshaft gear complete with bush (27T)	1
89 ...	C11G	67-3203	Layshaft thrust washer	1
90 ...	C11G	67-3198	Layshaft sliding gear (19T)	1
91 ...	C11G	67-3197	Layshaft sliding gear (23T)	1
91 ...	C11G	67-3194	Layshaft complete with gears	1
92 ...	C11G	67-3195	Layshaft	1
93 ...	C11G	67-3101	Mainshaft and layshaft gear locating ring	1
94 ...	C11G	67-3196	Layshaft gear (17T)	1
95 ...	C11G	65-3337	Layshaft bush	1
96 ...	C11G	29-3448	Gearbox inspection cover	1
97 ...	C11G	27-4258	Gearbox inspection cover screw	4
98 ...	C11G	29-3449	Gearbox inspection cover washer	1
99 ...	C11G	67-3117	Gear shifter fork shaft grub screw	1
100 ...	C11G	67-3119	Gear control cam plate plunger	1
101 ...	C11G	67-3121	Gear control cam plate plunger spring	1
102 ...	C11G	67-3122	Gear control cam plate plunger housing nut	1
103 ...	C11G	67-3120	Gear control cam plate plunger housing	1
104 ...	C11G	2-4553	Drain plug washer (fibre)	1
105 ...	C11G	28-243	Drain plug	1
106 ...	C11G	67-3023	Outer cover stud	4
107 ...	C11G	67-3204	Gear shifter fork	2
108 ...	C11G	67-3113	Gear control cam plate	1
109 ...	C11G	2-49	Kickstarter quadrant stop nut	1
110 ...	C11G	24-8784	Kickstarter quadrant stop washer (spring)	1
111 ...	C11G	67-3128	Layshaft speedo driving gear ring	1
112 ...	C11G	67-3017	Gearbox inner cover complete with fixed fittings	1
113 ...	C11G	67-3031	Gearbox inner cover joint washer	1
114 ...	C11G	21-5842	Selector cam plate bearing screw	3
115 ...	C11G	29-541	Selector cam plate bearing screw washer (shakeproof)	3
116 ...	C11G	29-3451	Selector cam plate bearing	1
117 ...	C11G	67-3116	Gear shifter fork shaft	1
118 ...	C11G	67-3027	Gearbox inspection hole plug	2

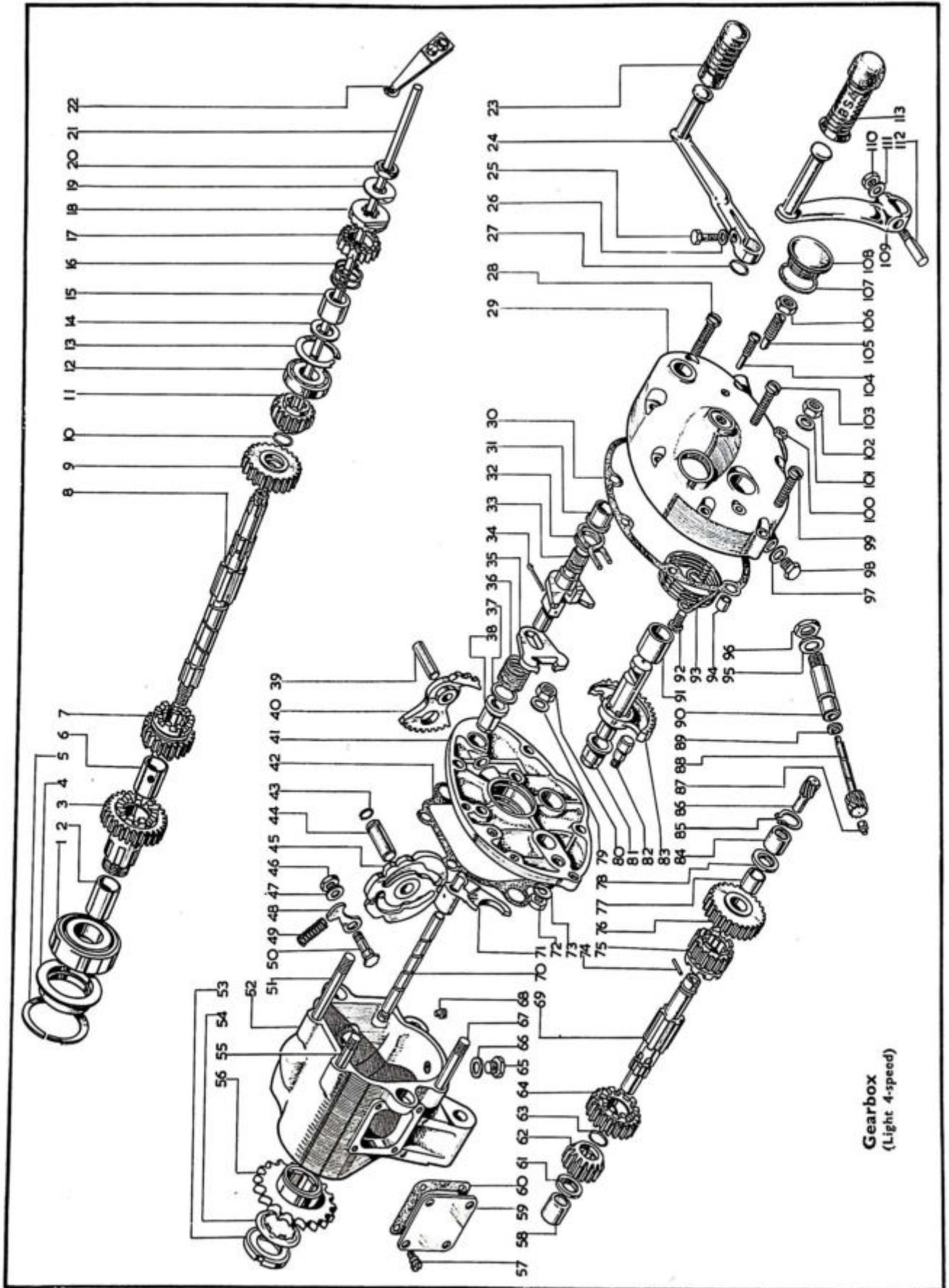
Plate 4

GEARBOX
C10L, C12 (Light 4-speed)

Plate Ref. Number.	Model.	Part No.	Description.	Number per set.
1 ...	C10L, C12	29-3857	Pinion sleeve bearing	1
2 ...	C10L, C12	29-3600	Pinion sleeve bush	1
3 ...	C10L, C12	29-3598	Pinion sleeve with 27T pinion and bushes	1
4 ...	C10L, C12	29-3608	Gearbox sprocket oil seal	1
5 ...	C10L, C12	29-3588	Ball bearing spring ring	1
6 ...	C10L, C12	29-3601	Pinion sleeve bush (drilled)	1
7 ...	C10L, C12	29-3614	Mainshaft sliding gear (21T)	1
8 ...	C10L, C12	29-3612	Gearbox mainshaft only	1
9 ...	C10L, C12	29-3615	Mainshaft pinion (3rd gear)	1
10 ...	C10L, C12	29-3584	Mainshaft gear locating circlip	1
11 ...	C10L, C12	29-3613	Mainshaft gear (17T)	1
12 ...	C10L, C12	90-11	Mainshaft bearing	1

Plate 4

GEARBOX
C10L, C12 (Light 4-speed)



Gearbox
(Light 4-speed)

Plate 4—continued

GEARBOX
C10L, C12 (Light 4-speed)

Plate Ref. Number.	Model.	Part No.	Description.	Number per set.						
13	...	C10L, C12	...	29-3586	Mainshaft bearing spring ring	1
14	...	C10L, C12	...	3-1049	Kickstart ratchet pinion bush washer	1
15	...	C10L, C12	...	29-3637	Kickstart ratchet pinion bush	1
16	...	C10L, C12	...	67-3162	Kickstart ratchet pinion spring	1
17	...	C10L, C12	...	67-3376	Kickstart ratchet pinion	1
18	...	C10L, C12	...	29-3636	Kickstart ratchet	1
19	...	C10L, C12	...	29-3585	Kickstart ratchet and mainshaft nut lockwasher	1
20	...	C10L, C12	...	2-124	Kickstart ratchet and mainshaft nut	1
21	...	C10L, C12	...	29-3643	Clutch push rod	1
22	...	C10L, C12	...	29-3663	Clutch operating lever	1
23	...	C10L, C12	...	29-3250	Gearchange pedal rubber	1
24	...	C10L, C12	...	42-3010	Gearchange operating lever	1
25	...	C10L, C12	...	65-3361	Gearchange operating lever bolt	1
26	...	C10L, C12	...	2-525	Gearchange operating lever washer	1
27	...	C10L, C12	...	15-4240	Gearchange operating lever circlip	1
28	...	C10L, C12	...	65-3062	Outer cover fixing screw (long)	1
29	...	C10L, C12	...	29-3575	Gearbox outer cover with fixed fittings	1
30	...	C10L, C12	...	29-3577	Gearbox outer cover joint washer	1
31	...	C10L, C12	...	67-3353	Gearchange lever spindle bush (outer)	1
32	...	C10L, C12	...	67-3340	Footchange stop plate return spring	1
33	...	C10L, C12	...	67-3335	Selector spindle complete	1
34	...	C10L, C12	...	35-709	Gear selector plate split pin	1
35	...	C10L, C12	...	67-3341	Gear selector plate	1
36	...	C10L, C12	...	67-3342	Gear selector plate spring	1
37	...	C10L, C12	...	24-868	Gear selector plate spring thrust washer	1
38	...	C10L, C12	...	29-3632	Footchange lever spindle bush (inner)	1
39	...	C10L, C12	...	67-3350	Gearchange quadrant pivot pin	1
40	...	C10L, C12	...	29-3593	Gearchange quadrant complete	1
41	...	C10L, C12	...	29-3573	Gearbox inner cover with fixed fittings	1
42	...	C10L, C12	...	29-3633	Gearbox inner cover joint washer	1
43	...	C10L, C12	...	29-3607	Gear cam plate pivot pin locating ring	1
44	...	C10L, C12	...	29-3606	Gear cam plate pivot pin	1
45	...	C10L, C12	...	29-3589	Gear control cam plate complete	1
46	...	C10L, C12	...	1-6032	Cam plate selector hammer pivot bolt nut	1
47	...	C10L, C12	...	2-525	Cam plate selector hammer pivot bolt washer	1
48	...	C10L, C12	...	29-3591	Cam plate selector hammer	2
49	...	C10L, C12	...	29-3629	Cam plate selector hammer spring	1
50	...	C10L, C12	...	29-3630	Cam plate selector hammer pivot bolt	1
51	...	C10L, C12	...	29-3603	Outer cover stud (long)	2
52	...	C10L, C12	...	29-3571	Gearbox casing with fixed fittings	1
53	...	C10L, C12	...	29-3835	Gearbox sprocket nut	1
54	...	C10L, C12	...	29-3836	Gearbox sprocket locking washer	1
55	...	C10L, C12	...	29-3605	Gear inner cover stud	1
56	...	C10L	...	29-3610	Gearbox sprocket (19T)	1
56	...	C12	...	29-3609	Gearbox sprocket (19T)	1
57	...	C10L, C12	...	27-4258	Gearbox inspection cover screw	4
58	...	C10L, C12	...	29-3579	Layshaft bearing	1
59	...	C10L, C12	...	29-3448	Gearbox inspection cover	1
60	...	C10L, C12	...	29-3449	Gearbox inspection cover washer	1
61	...	C10L, C12	...	29-3626	Layshaft thrust washer	1
62	...	C10L, C12	...	29-3618	Layshaft gear (16T)	1
63	...	C10L, C12	...	29-3584	Layshaft gear locating circlip	1
64	...	C10L, C12	...	29-3622	Layshaft 2nd gear pinion (22T)	1
65	...	C10L, C12	...	28-243	Gearbox drain plug	1
66	...	C10L, C12	...	2-4553	Gearbox drain plug washer (fibre)	1
67	...	C10L, C12	...	29-3604	Gearbox outer cover stud (short)	1
68	...	C10L, C12	...	67-3117	Gear shifter fork shaft grub screw	1
69	...	C10L, C12	...	29-3617	Layshaft	1
—	...	C10L, C12	...	29-3616	Layshaft complete with gears	1
70	...	C10L, C12	...	29-3627	Gear shifter fork shaft	1
71	...	C10L, C12	...	29-3628	Gear shifter fork	2
72	...	C10L, C12	...	2-49	Kickstarter quadrant stop nut	1
73	...	C10L, C12	...	24-8784	Kickstarter quadrant stop nut washer	1
74	...	C10L, C12	...	29-3620	Speedometer driving gear peg	1
75	...	C10L, C12	...	29-3621	Layshaft sliding gear (18T)	1
76	...	C10L, C12	...	29-3623	Layshaft 1st gear pinion with bush (26T)	1
77	...	C10L, C12	...	29-3625	Layshaft 1st gear pinion bush	1
78	...	C10L, C12	...	29-3626	Layshaft thrust washer	1
79	...	C10L, C12	...	15-5155	Inner cover fixing nut washer	1
80	...	C10L, C12	...	67-3034	Inner cover fixing nut	1
81	...	C10L, C12	...	29-3631	Kickstart spindle bush	1

Plate 4—continued

GEARBOX
C10L, C12 (Light 4-speed)

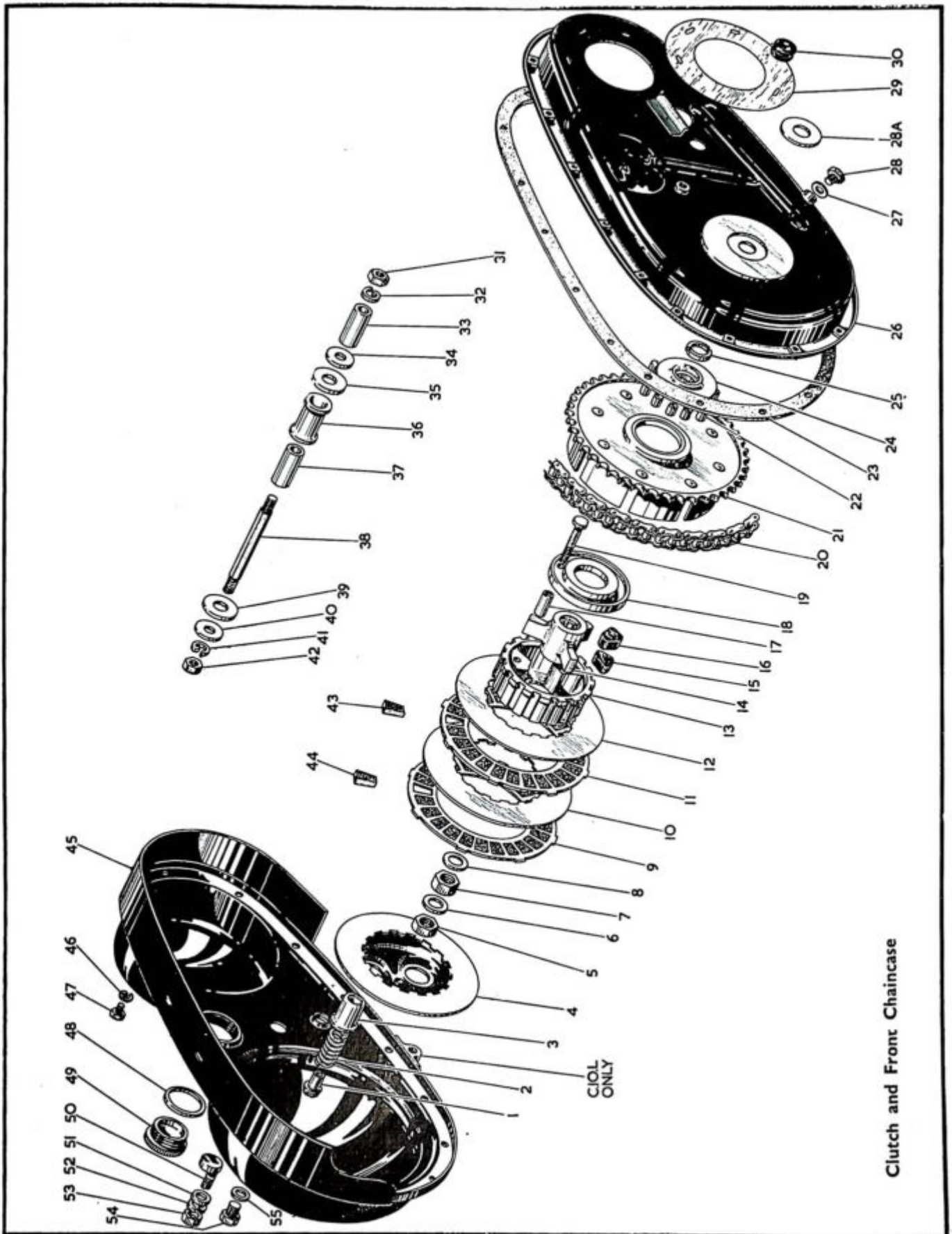
Plate Ref. Number.	Model.	Part No.	Description.	Number per set.
82	... C10L, C12	... 67-3152	... Kickstart quadrant stop ...	1
83	... C10L, C12	... 29-3634	... Kickstart quadrant and spindle complete ...	1
84	... C10L, C12	... 29-3578	... Layshaft bearing ...	1
85	... C10L, C12	... 29-3639	... Layshaft bearing circlip ...	1
86	... C10L, C12	... 29-3619	... Speedometer driving gear (6T) ...	1
87	... C10L, C12	... 29-3580	... Speedometer gear thrust button ...	1
88	... C10L, C12	... 29-3638	... Speedometer driven gear (13T) ...	1
89	... C10L, C12	... 65-3375	... Speedometer driven gear thrust washer ...	1
90	... C10L, C12	... 65-3390	... Speedometer driven gear bush ...	1
91	... C10L, C12	... 67-3153	... Kickstart lever spindle bush ...	1
92	... C10L, C12	... 27-4405	... Kickstart spring screw ...	1
93	... C10L, C12	... 67-3174	... Kickstart spring ...	1
94	... C10L, C12	... 66-3074	... Gearbox outer cover dowel ...	2
95	... C10L, C12	... 65-3392	... Speedometer gear bush washer (fibre) ...	1
96	... C10L, C12	... 65-3391	... Speedometer gear bush nut ...	1
97	... C10L, C12	... 2-4553	... Oil level plug washer ...	1
98	... C10L, C12	... 28-243	... Oil level plug ...	1
99	... C10L, C12	... 67-1705	... Outer cover fixing screw (short) ...	1
100	... C10L, C11	... 2-51	... Kickstart spring screw locknut ...	1
101	... C10L, C12	... 15-5155	... Outer cover fixing nut washer (plain) ...	3
102	... C10L, C12	... 67-3034	... Outer cover fixing nut ...	3
103	... C10L, C12	... 67-1706	... Outer cover fixing screw (medium) ...	2
104	... C10L, C12	... 67-3176	... Speedometer gear retaining pin ...	1
105	... C10L, C12	... 29-3641	... Clutch operating lever pivot pin ...	1
106	... C10L, C12	... 29-3642	... Clutch operating lever pivot pin locknut ...	1
107	... C10L, C12	... 67-42	... Gearbox outer cover cap washer (fibre) ...	1
108	... C10L, C12	... 65-3364	... Gearbox outer cover cap ...	1
109	... C10L, C12	... 65-3381	... Kickstart crank ...	1
110	... C10L, C12	... 2-2578	... Kickstart crank cotter nut ...	1
111	... C10L, C12	... 15-5155	... Kickstart crank cotter pin nut washer ...	1
112	... C10L, C12	... 2-2579	... Kickstart crank cotter pin ...	1
113	... C10L, C12	... 65-3397	... Kickstart crank rubber ...	1

Plate 5

CLUTCH and FRONT CHAINCASE
C10L, C11G and C12

Plate Ref. Number.	Model.	Part No.	Description.	Number per set.
1	... C10L, C11G, C12	... 67-3249	... Clutch spring nut ...	3
2	... C10L, C11G, C12	... 29-3469	... Clutch spring ...	3
3	... C10L, C11G, C12	... 29-3470	... Clutch spring cup ...	3
4	... C10L, C11G, C12	... 29-3467	... Clutch spring plate complete ...	1
5	... C10L, C11G, C12	... 66-7028	... Clutch securing locknut ...	1
6	... C10L, C11G, C12	... 15-431	... Clutch securing locknut washer ...	1
7	... C10L, C11G, C12	... 29-905	... Clutch securing nut ...	1
8	... C10L, C11G, C12	... 15-39	... Clutch securing nut washer ...	1
9	... C10L, C11G, C12	... 29-3476	... Clutch driving plate with inserts ...	1
10	... C10L, C11G, C12	... 67-3241	... Clutch driven plate ...	1
11	... C10L, C11G, C12	... 29-3476	... Clutch driving plate with inserts ...	1
12	... C10L, C11G, C12	... 67-3240	... Clutch driven plate (rear) ...	1
13	... C10L, C11G, C12	... 29-3464	... Clutch centre ...	1
14	... C10L, C11G, C12	... 29-3465	... Vane for clutch centre ...	1
15	... C10L, C11G, C12	... 29-1990	... Cush drive rubber (small) ...	3
16	... C10L, C11G, C12	... 29-1989	... Cush drive rubber (large) ...	3
17	... C10L, C11G, C12	... 29-3472	... Clutch spring nut distance tube ...	3
18	... C10L, C11G, C12	... 29-3466	... Clutch centre end plate ...	1
19	... C10L, C11G, C12	... 29-3471	... Clutch spring bolt ...	3
20	... C10L	... 24-8931	... Transmission chain (front) ...	1
20	... C11G, C12	... 24-8932	... Transmission chain (front) ...	1
21	... C10L, C11G, C12	... 29-3461	... Clutch chainwheel complete ...	1
22	... C10L, C11G, C12	... 26-650	... Clutch ballrace roller ...	18
23	... C10L, C11G, C12	... 29-8101	... Chaincase joint washer (cork) ...	1
24	... C10L, C11G, C12	... 29-3473	... Clutch thrust washer ...	1
25	... C10L, C11G, C12	... 29-3474	... Clutch thrust washer abutment ring ...	1
26	... C10L	... 29-8112	... Chaincase back with sliding oil seal ...	1

CLUTCH and FRONT CHAINCASE
C10L, C11G and C12



Clutch and Front Chaincase

Plate 5—continued.

CLUTCH and FRONT CHAINCASE
C10L, C11G and C12

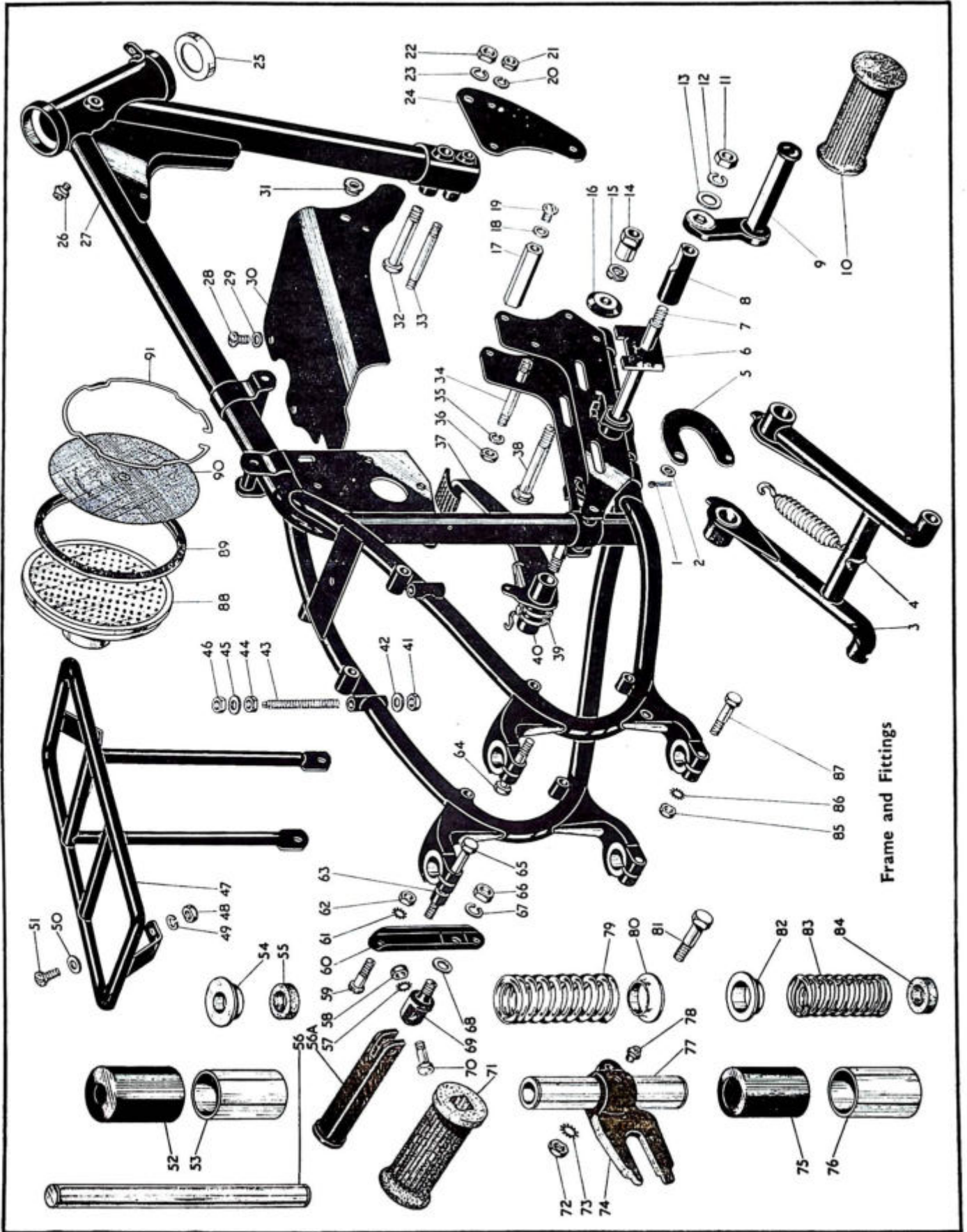
Plate Ref. Number.	Model.	Part No.	Description.	Number per set.
26	... C11G, C12	... 29-8102	Chaincase back with sliding oil seal	1
27	... C10L, C11G, C12	... 66-7518	Oil drain plug washer	1
28	... C10L, C11G, C12	... 15-645	Oil drain plug	1
28A	... C10L, C11G, C12	... 29-8115	Chaincase oil seal washer	1
29	... C10L, C11G, C12	... 29-8110	Chaincase and crankcase joint washer	1
30	... C10L, C11G, C12	... 29-8111	Chaincase cable grommet	1
31	... C10L	... 21-5103	Chaincase support stud nut	1
32	... C10L	... 24-8784	Chaincase support stud washer (spring)	1
33	... C10L	... 29-7531	Chaincase support stud distance tube	1
34	... C10L	... 24-5909	Chaincase support washer (large)	1
35	... C10L	... 66-4902	Chaincase distance sleeve washer	1
36	... C10L	... 66-4903	Chaincase distance sleeve	1
37	... C10L	... 29-7531	Chaincase support stud distance tube	1
38	... C10L	... 29-8109	Chaincase support stud	1
39	... C10L	... 66-4902	Chaincase distance sleeve washer	1
40	... C10L	... 36-5344	Chaincase support stud washer (small)	1
41	... C10L	... 24-8784	Chaincase support stud washer (spring)	1
42	... C10L	... 21-5103	Chaincase support stud nut	1
43	... C10L, C11G, C12	... 65-3827	Clutch driving plate inserts (cork)	24
44	... C10L, C11G, C12	... 65-3827	Clutch driving plate inserts (cork)	24
45	... C10L	... 29-8096	Chaincase front with fixed fittings	1
45	... C11G	... 29-8099	Chaincase front with fixed fittings	1
45	... C12	... 29-8120	Chaincase front with fixed fittings	1
46	... C10L, C11G, C12	... 29-3319	Chaincase fixing screw washer (spring)	16
47	... C10L, C11G, C12	... 1-4606	Chaincase front and back fixing screw	16
48	... C10L, C11G, C12	... 67-42	Chaincase inspection cap washer	1
49	... C10L, C11G, C12	... 65-3364	Chaincase inspection cap	1
50	... C10L	... 29-7393	Rear brake pedal adjuster	1
51	... C10L	... 2-2580	Rear brake adjuster washer (plain)	1
52	... C10L	... 2-1462	Rear brake adjuster washer (spring)	1
53	... C10L	... 21-5102	Rear brake adjuster nut	1
54	... C10L, C11G, C12	... 66-7517	Oil level plug	1
55	... C10L, C11G, C12	... 2-930	Oil level plug washer (fibre)	1

Plate 6

FRAME and FITTINGS
C10L (Spring Frame)

Plate Ref. Number.	Model.	Part No.	Description.	Number per set.
1	... C10L	... 35-705	Central stand connecting link split pin	1
2	... C10L	... 2-2138	Central stand connecting link washer	1
3	... C10L	... 90-4721	Central stand complete	1
4	... C10L	... 29-4887	Central stand spring	1
5	... C10L	... 90-4716	Central stand connecting link	1
6	... C10L	... 29-7574	Footrest rod locating plate	2
7	... C10L	... 29-7578	Footrest rod	1
8	... C10L	... 29-4886	Central stand sleeve	1
9	... C10L	... 29-7550	Footrest bracket	2
10	... C10L	... 29-7575	Footrest rubber	2
11	... C10L	... 21-5105	Footrest rod nut	2
12	... C10L	... 3-110	Footrest rod washer (spring)	2
13	... C10L	... 24-5914	Footrest rod washer (plain)	2
14	... C10L	... 29-5315	Gearbox connecting bolt nut	2
15	... C10L	... 2-995	Gearbox connecting bolt washer (double spring)	2
16	... C10L	... 65-4189	Gearbox connecting bolt washer (serrated)	2
17	... C10L	... 29-4477	Crankcase cover distance nut	1
18	... C10L	... 2-525	Crankcase cover screw washer	1
19	... C10L	... 21-6172	Crankcase cover screw	1
20	... C10L	... 24-8784	Front engine plate frame front stud washer (spring)	2
21	... C10L	... 24-5160	Front engine plate frame front stud nut	2
22	... C10L	... 2-440	Front engine plate frame bolt nut	1
23	... C10L	... 2-1967	Front engine plate frame bolt washer (spring)	1
24	... C10L	... 29-4454	Front engine plate	2
25	... C10L	... 65-4465	Steering head ballrace cup	2

FRAME and FITTINGS
C10L (Spring Frame)



Frame and Fittings

Plate 6—continued

FRAME and FITTINGS

C10L (Spring Frame)

Plate Ref. Number.	Model.	Part No.	Description.	Number per set.
26 ...	C10L	28-2080	Steering head grease nipple	1
27 ...	C10L	29-4405	Frame complete (1954/5)	1
27 ...	C10L	29-4580	Frame complete (1956)	1
28 ...	C10L	21-6172	Crankcase cover screw	2
29 ...	C10L	2-525	Crankcase cover screw washer	2
30 ...	C10L	29-4461	Crankcase cover complete (1954/5)	1
30 ...	C10L	29-4498	Crankcase cover complete	1
31 ...	C10L	89-4283	Grommet for cables (crankcase cover)	1
32 ...	C10L	29-4102	Front engine plate frame bolt	1
33 ...	C10L	29-4481	Front engine plate frame front stud	1
34 ...	C10L	29-4481	Crankcase and engine plate stud	4
35 ...	C10L	24-8784	Crankcase and engine plate stud washer (spring)	8
36 ...	C10L	24-5160	Crankcase and engine plate stud nut	7
37 ...	C10L	29-7390	Rear brake pedal complete	1
38 ...	C10L	29-4458	Gearbox connecting bolt	2
39 ...	C10L	29-7392	Rear brake pedal return spring	1
40 ...	C10L	90-4708	Central stand brake pedal pivot sleeve	1
41 ...	C10L	2-49	Saddle rear fixing stud nut	2
42 ...	C10L	2-923	Saddle rear fixing stud washer	2
43 ...	C10L	66-4647	Saddle rear fixing stud	2
44 ...	C10L	2-49	Saddle rear fixing stud nut	2
45 ...	C10L	2-923	Saddle rear fixing stud washer	2
46 ...	C10L	2-49	Saddle rear fixing stud nut	2
47 ...	C10L	90-6818	Carrier complete	1
48 ...	C10L	21-5102	Carrier fixing screw nut	2
49 ...	C10L	2-1462	Carrier fixing screw washer (spring)	2
50 ...	C10L	27-8560	Carrier fixing screw washer (plain)	2
51 ...	C10L	21-6173	Carrier fixing screw	2
52 ...	C10L	90-4111	Plunger spring shroud (outer)	2
53 ...	C10L	90-4110	Plunger spring shroud (inner)	2
54 ...	C10L	90-4115	Plunger spring collar (top)	2
55 ...	C10L	90-4105	Plunger stop rubber buffer	2
56 ...	C10L	90-4121	Plunger column complete	2
56A ...	C10L	29-7581	Pillion footrest	2
57 ...	C10L	36-382	Pillion footrest swivel bolt washer (shakeproof)	2
58 ...	C10L	24-6040	Pillion footrest swivel bolt nut	2
59 ...	C10L	21-5667	Pillion footrest fixing bolt (nearside)	2
60 ...	C10L	29-7576	Pillion footrest support complete	2
61 ...	C10L	24-8784	Pillion footrest fixing bolt washer (shakeproof) (nearside)	2
62 ...	C10L	21-5103	Pillion footrest fixing bolt nut (nearside)	2
63 ...	C10L	66-8347	Plunger column top bolt distance piece (1954/5)	2
64 ...	C10L	21-5672	Plunger column top bolt (offside)	1
65 ...	C10L	21-5677	Plunger column top bolt (nearside)	1
66 ...	C10L	2-46	Pillion footrest anchor bolt nut	2
67 ...	C10L	2-522	Pillion footrest anchor bolt washer (spring)	2
68 ...	C10L	24-5914	Pillion footrest anchor bolt washer (plain) (1954/5)	2
69 ...	C10L	85-4917	Pillion footrest anchor bolt	2
70 ...	C10L	29-7564	Pillion footrest swivel bolt	2
71 ...	C10L	29-7583	Pillion footrest rubber	2
72 ...	C10L	21-5104	Plunger to lug bolt nut	2
73 ...	C10L	66-4707	Plunger to lug bolt washer (shakeproof)	2
74 ...	C10L	90-6051	Rear hub mounting lug (offside)	1
74 ...	C10L	90-6050	Rear hub mounting lug (nearside)	1
75 ...	C10L	90-4120	Rebound spring shroud (outer)	2
76 ...	C10L	90-4119	Rebound spring shroud (inner)	2
77 ...	C10L	90-4113	Plunger with bushes	2
78 ...	C10L	28-2080	Rear hub mounting lug grease nipple	2
79 ...	C10L	90-4103	Plunger spring (top)	2
80 ...	C10L	90-4112	Plunger spring collar (bottom)	2
81 ...	C10L	21-5720	Bolt (plunger to lug)	2
82 ...	C10L	90-4112	Rebound spring collar (top)	2
83 ...	C10L	90-4104	Rebound spring (bottom)	2
84 ...	C10L	90-4105	Plunger stop rubber buffer	2
85 ...	C10L	21-5103	Plunger column bolt nut	4
86 ...	C10L	36-382	Plunger column bolt washer (shakeproof)	4
87 ...	C10L	21-5669	Plunger column bottom bolt	2
88 ...	C10L	29-9299	Air cleaner	1
89 ...	C10L	42-4593	Air cleaner sealing ring (rubber)	1
90 ...	C10L	42-4591	Air cleaner element	1
91 ...	C10L	42-4594	Air cleaner spring retaining clip	1

Plate 7

FRAME and FITTINGS
C11G (3 and 4-speed Gearbox).

Plate Ref. Number.	Model.	Part No.	Description.	Number per set.
1	C11G	29-7575	Footrest rubber (4-speed gearbox)...	2
2	C11G	29-7571	Footrest bracket (offside) (4-speed gearbox)	1
3	C11G	27-8059	Footrest rod nut (4-speed gearbox)	2
4	C11G	3-110	Footrest rod washer (spring) (4-speed gearbox)...	2
5	C11G	29-7530	Footrest rod distance tube (right-hand) (4-speed gearbox)	1
6	C11G	3-812	Rear engine plate bolt (seat tube) (4-speed gearbox)	1
7	C11G	15-431	Rear engine plate bolt washer (seat tube) (4-speed gearbox)	1
8	C11G	29-4075	Engine plate (front) (4-speed gearbox)	2
9	C11G	2-440	Front engine plate frame bolt nut (4-speed gearbox)	1
10	C11G	65-4465	Ball head cup	2
11	C11G	29-4488	Frame front (4-speed gearbox)	1
12	C11G	28-2080	Ball head grease nipple	1
13	C11G	24-6040	Front saddle fixing bolt nut	1
14	C11G	29-4465	Crankcase cover complete (4-speed gearbox)	1
15	C11G	29-4103	Front engine plate frame bolt (4-speed gearbox)	1
16	C11G	24-5160	Crankcase and engine plate stud nut (4-speed gearbox)	10
17	C11G	24-8784	Crankcase and engine plate stud washer (spring) (4-speed gearbox)	10
18	C11G	29-4100	Crankcase and engine plate stud (4-speed gearbox)	5
19	C11G	29-7504	Footrest rod distance tube (between engine plates) (4-speed gearbox)	1
20	C11G	29-7572	Footrest rod (4-speed gearbox)	1
21	C11G	15-541	Backstay frame bolt nut	1
22	C11G	15-716	Backstay frame bolt washer (spring)	1
23	C11G	28-2080	Front saddle fixing bolt grease nipple	1
24	C11G	33-4089	Front saddle fixing bolt	1
25	C11G	29-4376	Locating tube (backstay and seat lug)	1
26	C11G	15-431	Backstay frame bolt washer (plain)	1
27	C11G	29-4103	Backstay frame bolt	1
28	C11G	29-4379	Rear engine plate complete (offside) (3-speed gearbox)	1
29	C11G	29-4380	Rear engine plate (nearside) (3-speed gearbox)	1
30	C11G	2-49	Saddle rear fixing stud nut	4
31	C11G	2-923	Saddle rear fixing stud washer (plain)	4
32	C11G	67-4040	Saddle rear fixing stud	2
33	C11G	24-5160	Mudguard fixing bolt nut	2
34	C11G	35-33	Mudguard fixing bolt washer (spring)	2
35	C11G	15-7563	Horn distance piece	1
36	C11G	24-102	Horn and mudguard bolt (nearside)	1
37	C11G	29-7550	Footrest bracket (nearside) (4-speed gearbox)	1
38	C11G	29-4367	Chainstay and backstay complete (3 and 4-speed gearbox)	1
39	C11G	2-46	Pillion footrest anchor bolt nut	2
40	C11G	2-522	Pillion footrest anchor bolt washer (spring)	2
41	C11G	29-7564	Pillion footrest swivel bolt	2
42	C11G	67-4871	Pillion footrest anchor bolt	2
43	C11G	36-382	Pillion footrest swivel bolt washer (shakeproof)	2
44	C11G	24-6040	Pillion footrest swivel bolt nut	2
45	C11G	29-7581	Pillion footrest (1955)	2
45A	C11G Spring	29-7583	Pillion footrest rubber	2
46	C11G	65-4743	Prop stand lug complete	1
47	C11G	36-382	Prop stand clip bolt washer (shakeproof)	2
48	C11G	28-2338	Prop stand clip bolt	2
49	C11G	15-2018	Mudguard fixing bolt (offside)	1
50	C11G	29-7373	Rear brake pedal stop plate	1
51	C11G	29-7532	Footrest rod distance tube (left-hand) (4-speed gearbox)	1
52	C11G	15-4100	Front chaincase sealing washer (4-speed gearbox)	1
53	C11G	66-4902	Footrest cork washer (4-speed gearbox)	1
54	C11G	66-4903	Front chaincase distance sleeve (4-speed gearbox)	1
55	C11G	29-7531	Footrest rod distance tube (left-hand) (4-speed gearbox)	1
56	C11G	66-4902	Footrest cork washer (4-speed gearbox)	1
57	C11G	2-440	Rear engine plate bolt nut (seat tube) (4-speed gearbox)	1
58	C11G	15-716	Rear engine plate bolt washer (spring) (seat tube) (4-speed gearbox).	1
59	C11G	29-7545	Footrest rod distance tube (left-hand) (4-speed gearbox)	1
60	C11G	30-729	Front chaincase sealing washer (4-speed gearbox)	1
61	C11G	65-4540	Gearbox connecting bolt (4-speed gearbox)	2
62	C11G	15-5290	Bridge tube grease nipple	1
63	C11G	65-4189	Gearbox connecting stud washer (serrated) (4-speed gearbox)	2
64	C11G	29-4382	Rear engine plate complete (nearside) (4-speed gearbox)	1
65	C11G	29-4181	Chainstay central stand anchor lug	1
66	C11G	29-4378	Locating tube (chainstay and engine plate)	1
67	C11G	29-4381	Rear engine plate complete (offside) (4-speed gearbox)	1

FRAME and FITTINGS
C11G (3 and 4-speed Gearbox)

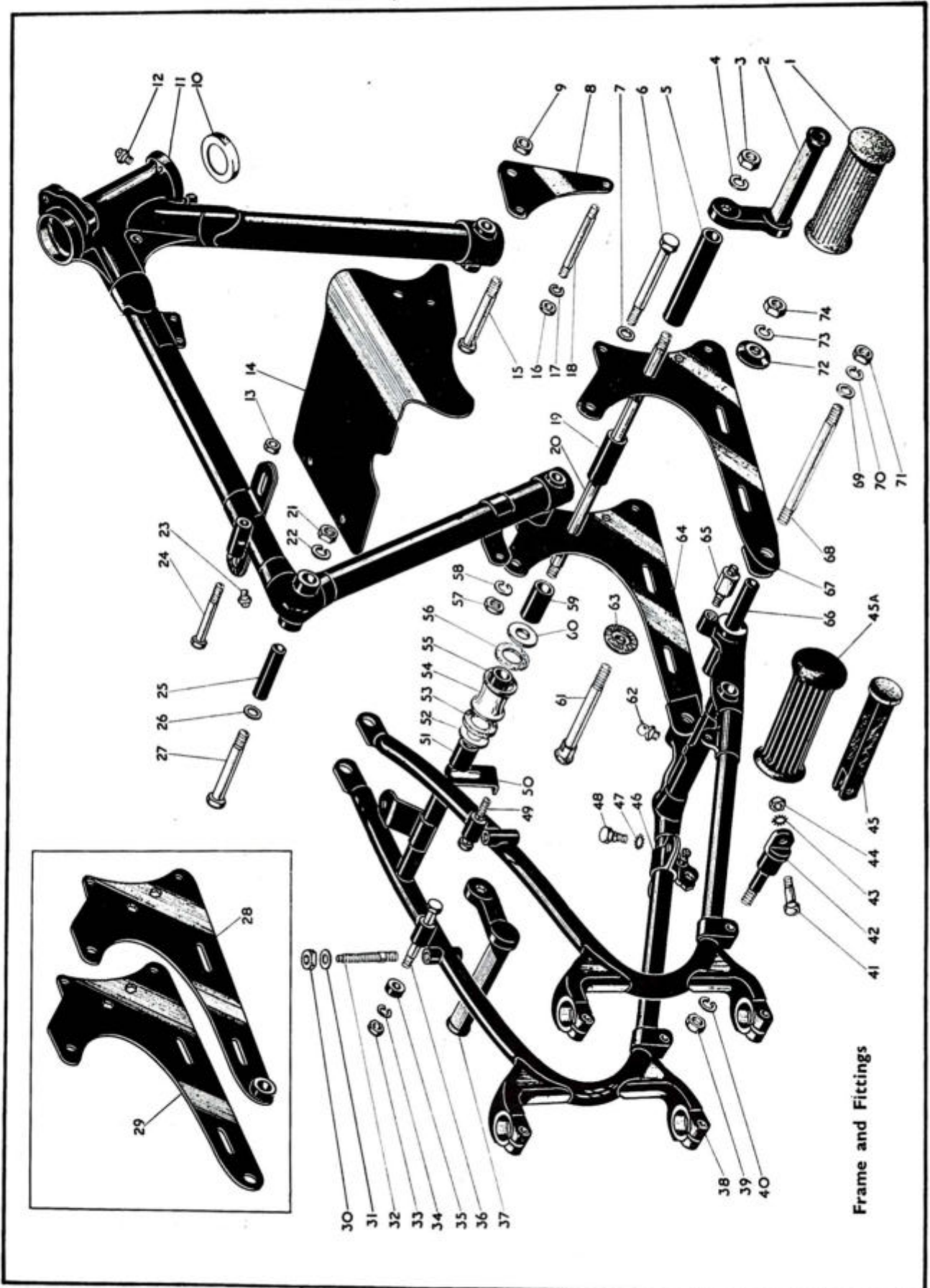


Plate 7—continued.

FRAME and FITTINGS

C11G (3 and 4-speed Gearbox)

Plate Ref. Number.	Model.	Part No.	Description.	Number per set.
68 ...	C11G	29-4290	Chainstay engine plate stud (4-speed gearbox) ...	1
69 ...	C11G	15-431	Chainstay engine plate bolt washer (plain) (4-speed gearbox)	2
70 ...	C11G	15-716	Chainstay engine plate bolt washer (spring) (4-speed gearbox)	2
71 ...	C11G	2-1925	Chainstay engine plate bolt nut (4-speed gearbox) ...	2
72 ...	C11G	65-4541	Gearbox connecting stud washer (serrated) (4-speed gearbox)	2
73 ...	C11G	2-522	Gearbox connecting stud washer (spring) (4-speed gearbox) ...	2
74 ...	C11G	29-5315	Gearbox connecting stud nut (4-speed gearbox) ...	2

Plate 8

FRAME and FITTINGS

C11G (Rigid and Spring) (3-speed Gearbox).

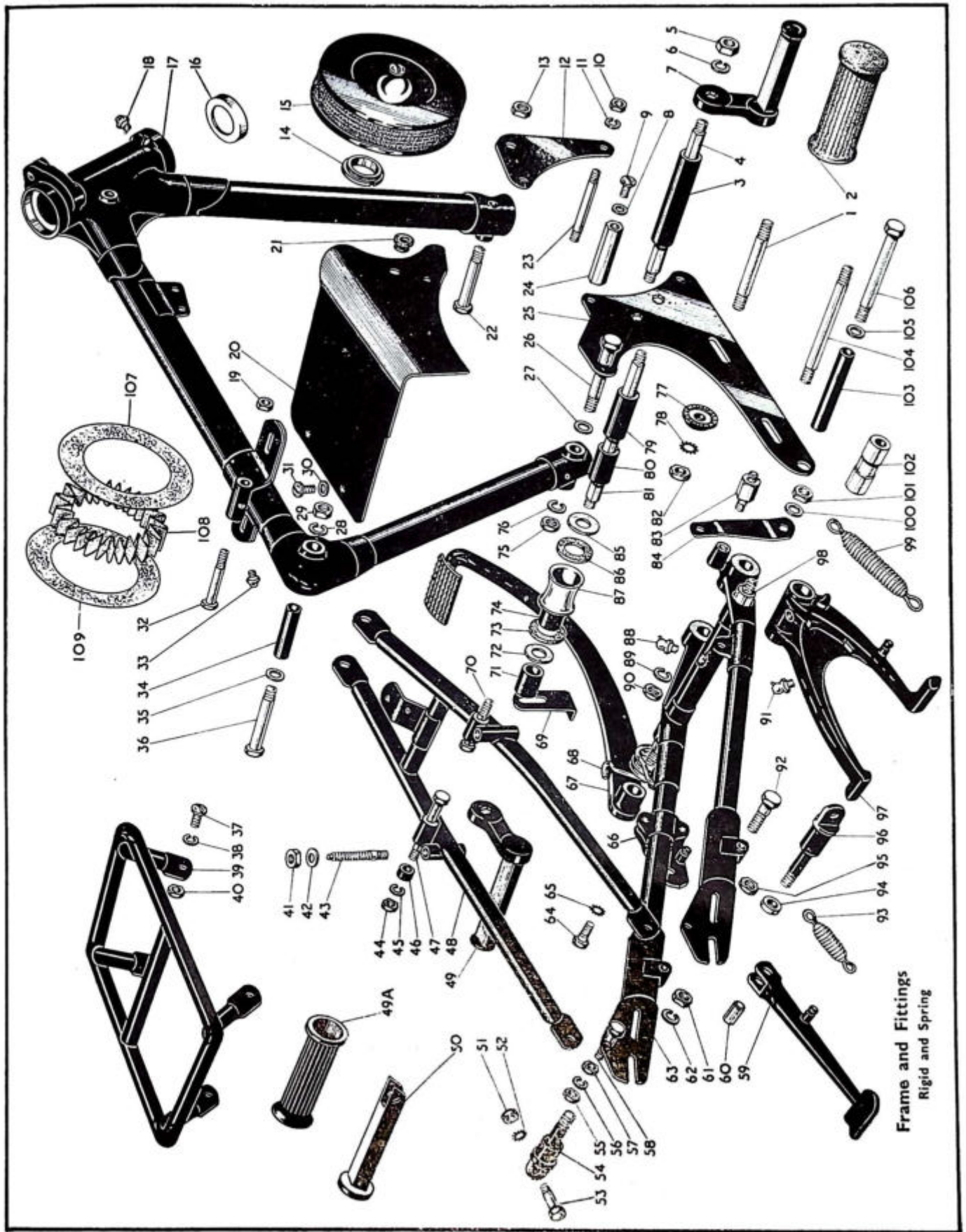
Plate Ref. Number.	Model.	Part No.	Description.	Number per set.
1	...C11G Rigid and Spring...	27-5683	Gearbox connecting stud ...	2
2	...C11G Rigid and Spring...	29-7575	Footrest rubber (3-speed gearbox) ...	2
3	...C11G Rigid and Spring...	29-7530	Footrest rod distance tube (right-hand) (3-speed gearbox)	1
4	...C11G Rigid and Spring...	29-7529	Footrest rod (right-hand) (3-speed gearbox) ...	1
5	...C11G Rigid and Spring...	27-8059	Footrest rod nut (3-speed gearbox) ...	4
6	...C11G Rigid and Spring...	3-110	Footrest rod washer (spring) (3-speed gearbox) ...	4
7	...C11G Rigid and Spring...	29-7549	Footrest bracket (offside) (3-speed gearbox) ...	1
8	...C11G Rigid and Spring...	2-525	Crankcase cover screw washer ...	1
9	...C11G Rigid and Spring...	21-6172	Crankcase cover screw ...	1
10	...C11G Rigid and Spring...	24-5160	Crankcase and engine plate stud nut ...	7
11	...C11G Rigid and Spring...	24-8784	Crankcase and engine plate stud washer (spring) ...	8
12	...C11G Rigid and Spring...	29-4075	Engine plate (front) ...	2
13	...C11G Rigid and Spring...	2-440	Front engine plate frame bolt nut ...	1
14	...C11G Rigid and Spring...	29-9291	Air cleaner adapter ...	1
15	...C11G Rigid and Spring...	29-9290	Air cleaner complete ...	1
16	...C11G Rigid and Spring...	65-4465	Ball head cup ...	2
17	... C11G Spring ...	29-4486	Frame front (3-speed) (1955) ...	1
18	...C11G Rigid and Spring...	28-2080	Ball head grease nipple ...	1
19	...C11G Rigid and Spring...	24-6040	Front saddle fixing bolt nut ...	1
20	...C11G Rigid and Spring...	29-4463	Crankcase cover complete ...	1
21	...C11G Rigid and Spring...	89-4283	Crankcase cover cable grommet ...	1
22	...C11G Rigid and Spring...	29-4103	Front engine plate frame bolt ...	1
23	...C11G Rigid and Spring...	29-4100	Crankcase and engine plate stud ...	4
24	...C11G Rigid and Spring...	29-4477	Crankcase cover distance nut ...	1
25	...C11G Rigid and Spring...	29-4380	Engine plate (rear) ...	2
26	...C11G Rigid and Spring...	3-812	Rear engine plate bolt (seat tube) ...	1
27	...C11G Rigid and Spring...	15-431	Rear engine plate bolt washer (plain) (seat tube)	1
28	... C11G Spring ...	15-716	Backstay frame bolt washer (spring) ...	1
29	...C11G Rigid and Spring...	15-541	Backstay frame bolt nut ...	1
30	...C11G Rigid and Spring...	2-525	Crankcase cover screw washer ...	2
31	...C11G Rigid and Spring...	21-6172	Crankcase cover screw ...	2
32	...C11G Rigid and Spring...	33-4089	Front saddle fixing bolt ...	1
33	...C11G Rigid and Spring...	28-2080	Front saddle fixing bolt grease nipple ...	1
34	...C11G Rigid and Spring...	29-4376	Locating tube (backstay and seat lug) ...	1
35	...C11G Rigid and Spring...	15-431	Backstay frame bolt washer (plain) ...	1
36	... C11G Rigid ...	29-4102	Backstay frame bolt ...	1
36	... C11G Spring ...	29-4103	Backstay frame bolt ...	1
37	...C11G Rigid and Spring...	15-7161	Carrier fixing screw ...	4
37	... C11G Spring ...	24-225	Carrier fixing screw (1955) ...	4
38	...G11C Rigid and Spring...	2-1462	Carrier fixing screw washer (spring) ...	4
39	...C11G Rigid and Spring...	29-7025	Carrier complete ...	1
39	... C11G Spring ...	65-6897	Carrier complete (1955) ...	1
—	... C11G Spring ...	27-8560	Carrier fixing screw washer (1955) ...	4
—	... C11G Spring ...	2-1462	Carrier fixing screw washer (spring) (1955)	4
—	... C11G Spring ...	2-1374	Carrier packing washer (plain) (1955)	4
40	...C11G Rigid and Spring...	2-2395	Carrier fixing screw nut ...	4
41	...C11G Rigid and Spring...	2-46	Saddle rear fixing stud nut ...	4
42	...C11G Rigid and Spring...	2-923	Saddle rear fixing stud washer (plain)	4
43	...C11G Rigid and Spring...	67-4040	Saddle rear fixing stud ...	2
44	...C11G Rigid and Spring...	24-5160	Mudguard fixing bolt nut ...	2

Plate 8—continued

FRAME and FITTINGS
C11G (Rigid and Spring) (3-speed Gearbox)

Plate Ref. Number.	Model.	Part No.	Description.	Number per set.
45	...C11G Rigid and Spring...	35-33	Mudguard fixing bolt washer (spring)	2
46	... C11G Rigid	66-8347	Horn distance piece (1954)	1
46	...C11G Rigid and Spring...	15-7563	Horn distance piece (nearside) (1955)	1
47	...C11G Rigid and Spring...	24-102	Horn and mudguard bolt (nearside)	1
48	... C11G Rigid	29-4366	Backstay complete	1
49	...C11G Rigid and Spring...	29-7550	Footrest bracket (nearside) (3-speed gearbox)	1
49A	... C11G Spring	29-7583	Pillion footrest rubber	2
50	...C11G Rigid and Spring...	29-7581	Pillion footrest	2
51	...C11G Rigid and Spring...	24-6040	Pillion footrest swivel bolt nut	2
52	...C11G Rigid and Spring...	36-382	Pillion footrest swivel bolt washer (shakeproof)	2
53	...C11G Rigid and Spring...	29-7564	Pillion footrest swivel bolt	2
54	... C11G Rigid	29-7560	Pillion footrest anchor bolt (nearside)	1
55	... C11G Rigid	2-1813	Chainstay, backstay, and mudguard stay connecting bolt nut	2
56	... C11G Rigid	2-522	Chainstay, backstay and mudguard stay connecting bolt washer (spring)	2
57	... C11G Rigid	2-1813	Chainstay, backstay and mudguard stay connecting bolt nut	2
58	... C11G Rigid	2-803	Chainstay, backstay and mudguard stay connecting bolt	2
59	...C11G Rigid and Spring...	65-4734	Prop stand complete assembly with lug, bolt and spring	1
60	...C11G Rigid and Spring...	65-4741	Prop stand pivot pin	1
61	...C11G Rigid and Spring...	2-46	Pillion footrest anchor bolt nut	2
62	...C11G Rigid and Spring...	2-522	Pillion footrest anchor bolt washer (spring)	2
63	... C11G Rigid	29-4365	Chainstay complete	1
64	...C11G Rigid and Spring...	28-2338	Prop stand lug clip bolt	2
65	...C11G Rigid and Spring...	36-382	Prop stand lug clip bolt washer (shakeproof)	2
66	... C11G Rigid	65-4739	Prop stand lug complete	1
67	...C11G Rigid and Spring...	29-7363	Rear brake pedal complete	1
68	...C11G Rigid and Spring...	29-7327	Rear brake pedal return spring	1
69	...C11G Rigid and Spring...	29-7373	Rear brake pedal stop plate	1
70	...C11G Rigid and Spring...	65-292	Mudguard fixing bolt (offside)	1
71	...C11G Rigid and Spring...	29-7532	Footrest rod distance tube (left-hand) (3-speed gearbox)	1
72	...C11G Rigid and Spring...	15-4100	Front chaincase sealing washer (3-speed gearbox)	1
73	...C11G Rigid and Spring...	66-4902	Footrest cork washer (3-speed gearbox)	1
74	...C11G Rigid and Spring...	29-7531	Footrest rod distance tube (left-hand) (3-speed gearbox)	1
75	...C11G Rigid and Spring...	2-440	Rear engine plate bolt nut (seat tube)	1
76	...C11G Rigid and Spring...	15-716	Rear engine plate bolt washer (spring)	1
77	...C11G Rigid and Spring...	65-4189	Gearbox connecting stud washer (serrated) (3-speed gearbox)	4
78	...C11G Rigid and Spring...	66-4707	Gearbox connecting stud washer (shakeproof) (3-speed gearbox)	4
79	...C11G Rigid and Spring...	29-7504	Footrest rod distance tube (left-hand) (3-speed gearbox)	1
80	...C11G Rigid and Spring...	29-7545	Footrest rod distance tube (left-hand) (3-speed gearbox)	1
81	...C11G Rigid and Spring...	29-7544	Footrest rod (left-hand) (3-speed gearbox)	1
82	...C11G Rigid and Spring...	2-46	Gearbox connecting stud nut (3-speed gearbox)	4
83	...C11G Rigid and Spring...	29-4181	Chainstay central stand anchor lug	1
84	...C11G Rigid and Spring...	29-7362	Rear brake pedal operating lever	1
85	...C11G Rigid and Spring...	30-729	Front chaincase sealing washer (3-speed gearbox)	1
86	...C11G Rigid and Spring...	66-4902	Footrest cork washer (3-speed gearbox)	1
87	...C11G Rigid and Spring...	66-4903	Front chaincase distance sleeve (3-speed gearbox)	1
88	...C11G Rigid and Spring...	15-5290	Bridge tube grease nipple	1
89	... C11G Spring	15-716	Chainstay engine plate bolt washer (spring)	2
90	... C11G Rigid	2-1925	Chainstay engine plate bolt nut	1
90	... C11G Spring	2-1925	Chainstay engine plate bolt nut	2
91	...C11G Rigid and Spring...	15-5290	Central stand grease nipple	1
92	... C11G Rigid	2-803	Silencer and toolbox fixing bolt (when pillion footrest not fitted)	2
93	...C11G Rigid and Spring...	65-4742	Prop stand spring	1
94	... C11G Rigid	29-7565	Pillion footrest anchor bolt distance piece (offside)	1
95	... C11G Rigid	2-46	Silencer and toolbox fixing bolt nut (when pillion footrest not fitted.)	2
96	... C11G Rigid	65-4894	Pillion footrest anchor bolt (offside)	1
97	... C11G Rigid	65-4755	Central stand complete	1
97	... C11G Spring	29-4880	Central stand complete	1
98	...C11G Rigid and Spring...	29-7388	Rear brake pedal shaft	1
99	...C11G Rigid and Spring...	65-4727	Central stand spring	1
100	...C11G Rigid and Spring...	2-1945	Rear brake pedal shaft washer (plain)	2
101	...C11G Rigid and Spring...	27-8059	Rear brake pedal shaft nut	2
102	... C11G Rigid	29-4840	Central stand engine plate distance piece	1
102	... C11G Spring	29-4387	Central stand engine plate distance piece	1
103	... C11G Rigid	29-4377	Locating tube (chainstay and engine plate)	1
103	... C11G Spring	29-4378	Locating tube (chainstay and engine plate)	1
104	... C11G Spring	29-4290	Chainstay engine plate stand	1
105	... C11G Rigid	15-431	Chainstay engine plate bolt washer	1
105	... C11G Spring	15-431	Chainstay engine plate stud washer	2
106	... C11G Rigid	29-4132	Chainstay engine plate bolt	1
107	...C11G Rigid and Spring...	19-5206	Air cleaner element washer (felt)	1
108	...C11G Rigid and Spring...	19-5202	Air cleaner element	1
109	...C11G Rigid and Spring...	19-5206	Air cleaner element washer (felt)	1

FRAME and FITTINGS
C11G (Rigid and Spring) (3-speed Gearbox)



Frame and Fittings
Rigid and Spring

Plate 9

FRAME and FITTINGS

C12 (Swinging Arm)

Plate Ref. Number.	Model.	Part No.	Description.	Number per set.
—	...	C12	... 29-4522 ... Frame complete with engine plates and central stand ...	1
1	...	C12	... 15-1312 ... Rear brake rod spring ...	1
2	...	C12	... 65-6274 ... Rear brake lever swivel pin ...	1
3	...	C12	... 29-7368 ... Rear brake adjuster nut ...	1
4	...	C12	... 29-7403 ... Rear brake pedal fulcrum thrust washer ...	1
5	...	C12	... 29-7327 ... Rear brake pedal return spring ...	1
6	...	C12	... 29-7400 ... Rear brake pedal complete ...	1
7	...	C12	... 2-2395 ... Rear brake rod spring nut ...	1
8	...	C12	... 2-46 ... Rear suspension pivot pin nut ...	2
9	...	C12	... 2-522 ... Rear suspension pivot pin washer (spring) ...	2
10	...	C12	... 2-1733 ... Rear suspension pivot pin washer (plain) ...	2
11	...	C12	... 90-4242 ... Rear suspension pivot pin washer (large) ...	2
12	...	C12	... 29-4549 ... Swinging arm complete with bushes and distance piece ...	1
13	...	C12	... 90-4250 ... Rear suspension damper complete (100 lbs./inch rate) ...	2
14	...	C12	... 21-5104 ... Rear suspension damper top fixing bolt nut ...	2
15	...	C12	... 2-522 ... Rear suspension damper top fixing washer (spring) ...	2
16	...	C12	... 2-1733 ... Rear suspension damper top fixing bolt washer (plain) ...	2
17	...	C12	... 21-5720 ... Rear suspension damper top fixing bolt ...	2
18	...	C12	... 65-6897 ... Carrier complete ...	1
19	...	C12	... 2-2395 ... Carrier fixing bolt nut ...	4
20	...	C12	... 2-1462 ... Carrier fixing bolt washer (spring) ...	4
21	...	C12	... 2-1374 ... Carrier packing washer ...	4
22	...	C12	... 27-8560 ... Carrier fixing bolt washer (plain) ...	4
23	...	C12	... 24-225 ... Carrier fixing bolt ...	4
24	...	C12	... 29-7571 ... Footrest bracket (offside) ...	1
25	...	C12	... 90-4232 ... Swinging arm fork spindle locknut ...	1
26	...	C12	... 30-729 ... Swinging arm fork spindle washer ...	1
27	...	C12	... 29-4181 ... Chainstay central stand anchor lug ...	1
28	...	C12	... 2-1934 ... Ignition switch and cover fixing bolt (bottom) ...	1
29	...	C12	... 29-7530 ... Footrest rod distance tube (right-hand) ...	1
30	...	C12	... 2-923 ... Ignition switch and cover bottom washer (plain) ...	1
31	...	C12	... 24-8784 ... Ignition switch and cover bottom washer (spring) ...	1
32	...	C12	... 2-49 ... Ignition switch and cover bottom nut ...	1
33	...	C12	... 29-4564 ... Swinging arm fork spindle complete ...	1
34	...	C12	... 65-4541 ... Gearbox connecting bolt washer (offside) ...	1
35	...	C12	... 2-2395 ... Rear brake pedal adjuster screw nut ...	1
36	...	C12	... 67-4801 ... Rear brake pedal adjuster screw ...	1
37	...	C12	... 2-522 ... Rear brake pedal fulcrum pin stud washer (spring) ...	1
38	...	C12	... 27-6276 ... Rear brake pedal fulcrum pin stud ...	1
39	...	C12	... 29-5315 ... Gearbox connecting bolt nut ...	2
40	...	C12	... 29-7572 ... Footrest rod ...	1
41	...	C12	... 29-7504 ... Footrest rod distance tube ...	1
42	...	C12	... 29-4103 ... Rear engine plate bolt (seat tube) ...	1
43	...	C12	... 29-4539 ... Rear sub frame complete ...	1
44	...	C12	... 24-5160 ... Crankcase and engine plate stud nut ...	10
45	...	C12	... 24-8784 ... Crankcase and engine plate stud washer (spring) ...	10
46	...	C12	... 29-4100 ... Crankcase and engine plate stud ...	5
47	...	C12	... 2-49 ... Saddle rear fixing stud nut ...	4
48	...	C12	... 2-923 ... Saddle rear fixing stud washer (plain) ...	4
49	...	C12	... 67-4040 ... Saddle rear fixing stud ...	2
50	...	C12	... 15-541 ... Backstay frame bolt nut ...	1
51	...	C12	... 15-716 ... Backstay frame bolt washer (spring) ...	1
52	...	C12	... 15-431 ... Backstay frame bolt washer (plain) ...	1
53	...	C12	... 2-1813 ... Saddle front fixing bolt nut ...	1
54	...	C12	... 67-4030 ... Saddle front fixing bolt ...	1
55	...	C12	... 28-2080 ... Saddle front support lug grease nipple ...	1
56	...	C12	... 29-4103 ... Backstay frame bolt (seat lug) ...	1
57	...	C12	... 29-4524 ... Frame front ...	1
—	...	C12	... 29-4688 ... Battery carrier complete ...	1
58	...	C12	... 29-4662 ... Battery carrier strap bolt saddle washer ...	1
59	...	C12	... 29-4661 ... Battery carrier strap bolt ...	1
60	...	C12	... 65-2353 ... Battery carrier swivel block (tapped) ...	1
61	...	C12	... 65-2352 ... Battery carrier swivel block (plain) ...	1
62	...	C12	... 29-4657 ... Battery carrier strap ...	1
63	...	C12	... 29-4689 ... Battery bracket ...	1
64	...	C12	... 29-4665 ... Battery locating strip complete ...	1
65	...	C12	... 29-4664 ... Battery carrier strap hinge pin ...	1
66	...	C12	... 2-46 ... Battery carrier front fixing bolt nut ...	1
67	...	C12	... 66-4707 ... Battery carrier front fixing bolt washer (shakeproof) ...	1
68	...	C12	... 65-5663 ... Battery carrier front fixing bolt ...	1
69	...	C12	... 2-440 ... Front engine plate frame bolt nut ...	1

Plate 9

FRAME and FITTINGS

C12 (Swinging Arm)

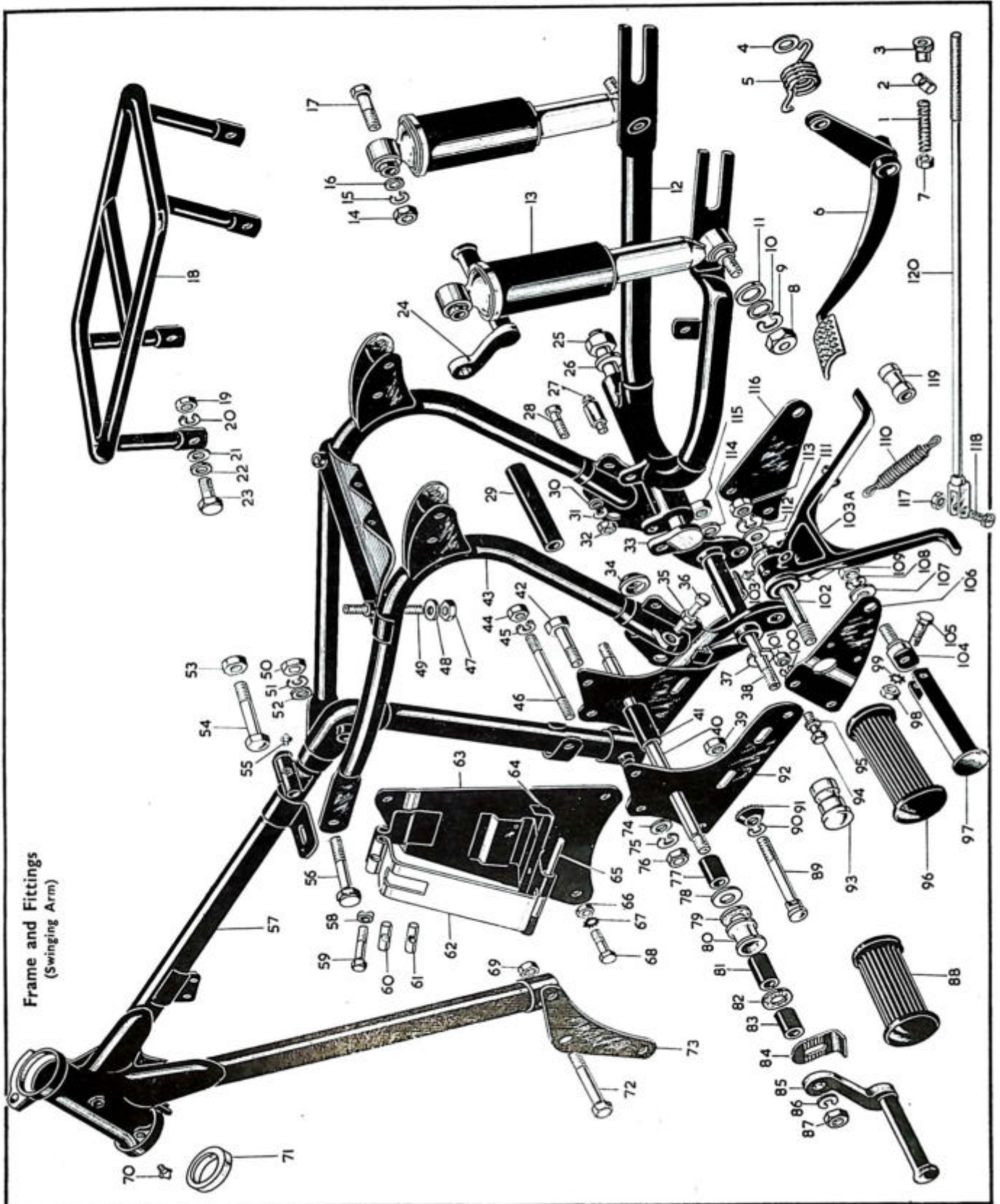


Plate 9—continued.

FRAME and FITTINGS

C12 (Swinging Arm)

Plate Ref. Number.	Model.	Part No.	Description.	Number per set.
70	C12	28-2080	Ball head grease nipple	1
71	C12	65-4465	Ball head cup	2
72	C12	29-4103	Front engine plate frame bolt	1
73	C12	29-4075	Engine plate (front)	2
74	C12	15-431	Chainstay engine plate and central stand washer (plain)	2
75	C12	15-716	Rear engine plate bolt washer (spring)	1
76	C12	2-440	Rear engine plate bolt nut	1
77	C12	29-7545	Footrest rod distance tube (left-hand)	1
78	C12	30-729	Front chaincase sealing washer	2
79	C12	66-4902	Footrest cork washer	1
80	C12	66-4903	Chaincase distance sleeve	1
81	C12	29-7531	Footrest rod distance tube (left-hand)	1
82	C12	66-4902	Footrest washer (cork)	1
83	C12	29-7532	Footrest rod distance tube (left-hand)	1
84	C12	29-7373	Footrest rod brake pedal stop plate	1
85	C12	29-7550	Footrest bracket (nearside)	1
86	C12	3-110	Footrest rod washer (spring)	2
87	C12	27-8059	Footrest rod nut	2
88	C12	29-7575	Footrest rubber	2
89	C12	29-4459	Gearbox connecting bolt	2
90	C12	2-522	Gearbox connecting bolt washer (spring)	2
91	C12	65-4189	Gearbox connecting bolt washer	2
92	C12	29-4559	Engine gearbox plate	2
93	C12	29-7402	Rear brake pedal fulcrum pin	1
94	C12	2-1934	Pillion footrest bracket bolt	4
95	C12	2-923	Pillion footrest bracket bolt washer (plain)	4
96	C12	29-7583	Pillion footrest rubber	2
97	C12	29-7581	Pillion footrest	2
98	C12	24-6040	Pillion footrest swivel bolt nut	2
99	C12	36-382	Pillion footrest swivel bolt washer (shakeproof)	2
100	C12	24-8784	Pillion footrest bracket bolt washer (spring)	4
101	C12	2-49	Pillion footrest bracket bolt nut	4
—	C12	29-7580	Pillion footrest assembled with anchor and swivel bolts, nuts, washers and footrest rubbers.	1
102	C12	66-4175	Chainstay engine plate and central stand stud	1
103	C12	28-2080	Central stand grease nipple	1
103A	C12	29-4882	Central stand complete	1
104	C12	65-4917	Pillion footrest anchor bolt	2
105	C12	29-7564	Pillion footrest swivel bolt	2
106	C12	29-4560	Pillion footrest bracket (nearside)	1
107	C12	24-5914	Pillion footrest anchor bolt washer plain (nearside)	1
108	C12	2-2903	Pillion footrest anchor bolt washer (spring)	2
109	C12	2-46	Pillion footrest anchor bolt nut	2
110	C12	65-4727	Central stand spring	1
111	C12	15-431	Chainstay engine plate and central stand stud nut washer	2
112	C12	15-716	Chainstay engine plate and central stand stud washer (spring)	2
113	C12	2-1925	Chainstay engine plate and central stand stud nut	2
114	C12	2-1733	Brake pedal fulcrum pin bolt washer (plain)	1
115	C12	2-46	Rear brake pedal fulcrum pin stud nut	1
116	C12	29-4561	Pillion footrest and silencer bracket	1
117	C12	2-443	Rear brake rod toggle end nut	1
118	C12	2-510	Rear brake rod toggle end screw	1
119	C12	29-4568	Central stand engine plate distance piece	1
120	C12	29-7365	Rear brake rod complete	1

Plate 10

REAR SUSPENSION

C11G (3 and 4-speed).

Plate Ref. Number.	Model.	Part No.	Description.	Number per set.
1	C11G	90-4112	Rebound spring top collar	2
2	C11G	2-46	Rear wheel mounting lug bolt nut	2
3	C11G	66-4707	Rear wheel mounting lug bolt washer (shakeproof)	2
4	C11G	90-4112	Plunger spring bottom collar	2
5	C11G	29-4326	Plunger spring (top)	2
6	C11G	90-4105	Plunger stop buffer (rubber)	2

REAR SUSPENSION
C11G (3 and 4-speed)

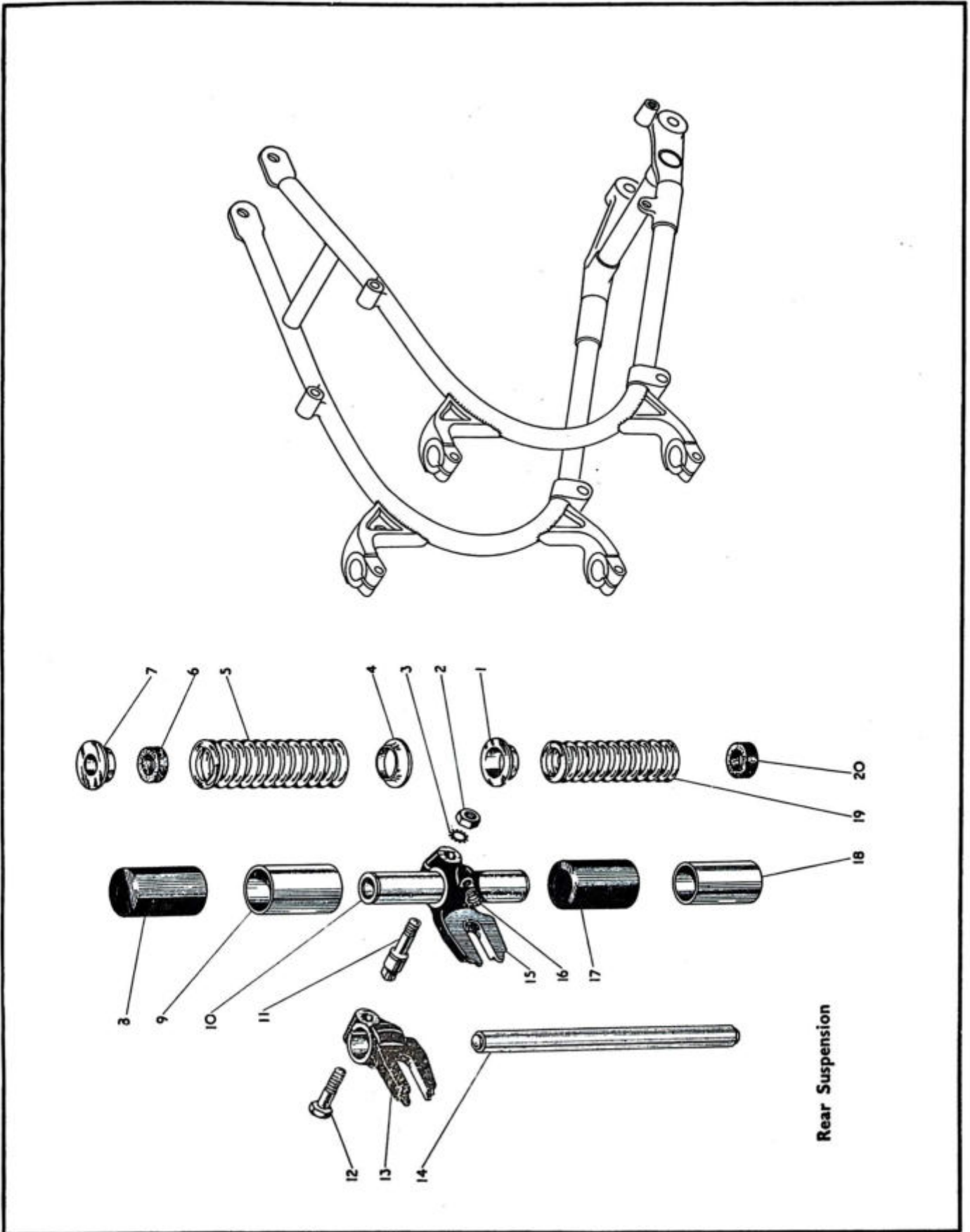


Plate 10—continued

REAR SUSPENSION
C11G (Spring Frame) (3 and 4-speed)

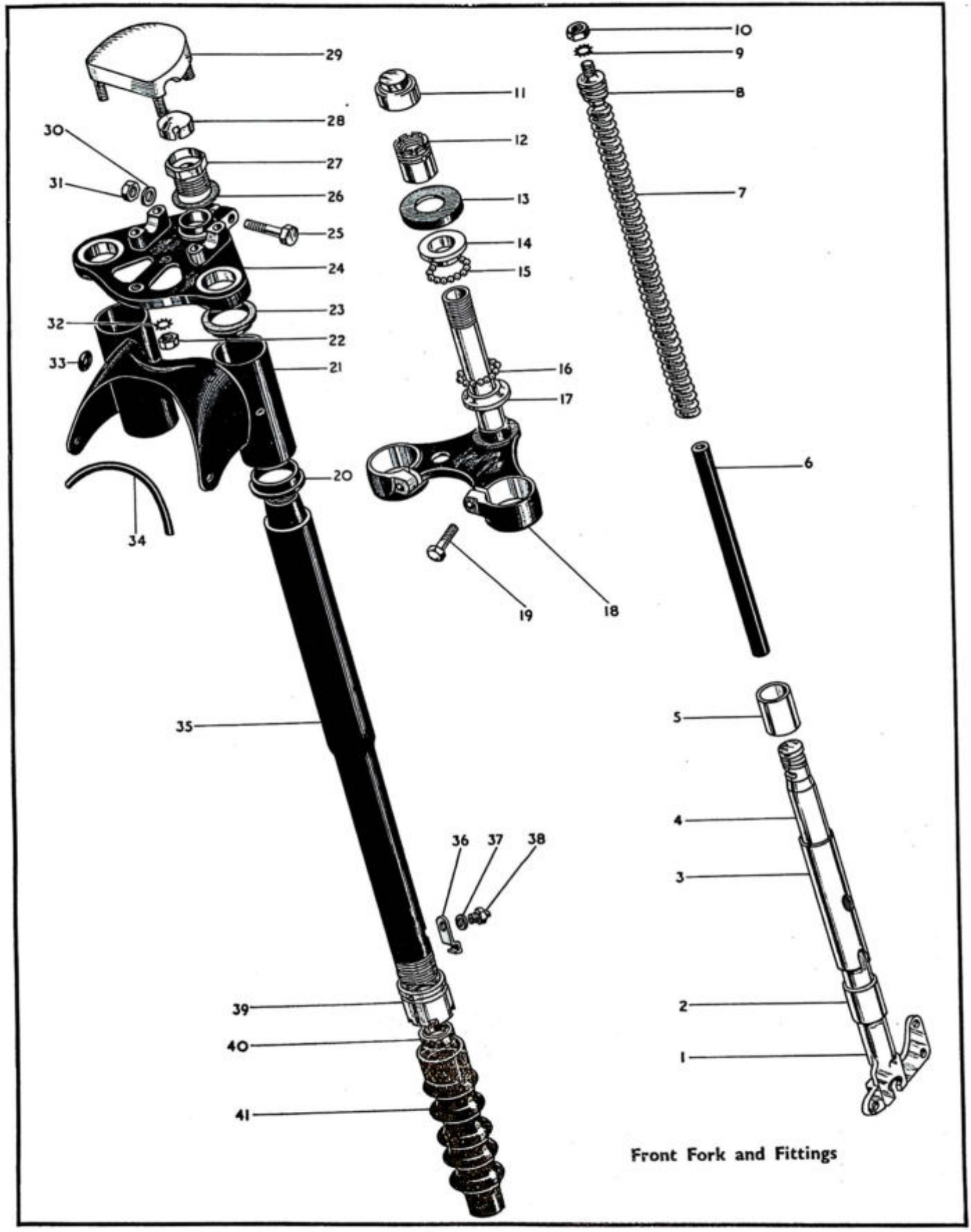
Plate Ref. Number.	Model	Part No.	Description.	Number per set.
7 ...	C11G	... 90-4115 ...	Plunger spring top collar	2
8 ...	C11G	... 90-4111 ...	Plunger spring outer shroud	2
9 ...	C11G	... 90-4110 ...	Plunger spring inner shroud	2
10 ...	C11G	... 90-4113 ...	Plunger tube assembly	2
11 ...	C11G	... 29-4327 ...	Mounting lug and rear brake anchor plate bolt (offside)	1
12 ...	C11G	... 3-1399 ...	Mounting lug bolt (nearside)	1
13 ...	C11G	... 29-6223 ...	Rear hub mounting lug (nearside)	1
14 ...	C11G	... 90-4121 ...	Plunger column	2
15 ...	C11G	... 29-6221 ...	Rear hub mounting lug (offside)	1
16 ...	C11G	... 28-2080 ...	Lug grease nipple	2
17 ...	C11G	... 90-4120 ...	Rebound spring outer shroud	2
18 ...	C11G	... 90-4119 ...	Rebound spring inner shroud	2
19 ...	C11G	... 29-4330 ...	Rebound spring (bottom)	2
20 ...	C11G	... 90-4105 ...	Plunger stop buffer (rubber)	2

Plate 11

FRONT FORK and FITTINGS
C10L, 1954/5

Plate Ref. Number.	Model.	Part No.	Description.	Number per set.
— ...	C10L	... 29-5116 ...	Front fork and fittings assembled	1
1 ...	C10L	... 90-5109 ...	Front fork sliding tube complete (right-hand)	1
2 ...	C10L	... 90-5069 ...	Front fork tube bush	2
3 ...	C10L	... 90-5068 ...	Front fork tube bush distance tube	2
4 ...	C10L	... 90-5110 ...	Front fork sliding tube complete (left-hand)	1
5 ...	C10L	... 90-5069 ...	Front fork tube bush	2
6 ...	C10L	... 90-5079 ...	Front fork shock absorber rubber	2
7 ...	C10L	... 90-5078 ...	Front fork spring	2
8 ...	C10L	... 90-5031 ...	Front fork spring scroll	2
9 ...	C10L	... 66-4707 ...	Front fork spring scroll nut lockwasher	2
10 ...	C10L	... 21-5104 ...	Front fork spring scroll nut	2
11 ...	C10L	... 29-5291 ...	Cap for steering stem adjusting sleeve	1
12 ...	C10L	... 29-5290 ...	Steering stem adjusting sleeve	1
13 ...	C10L	... 65-5321 ...	Steering head dust cap	1
14 ...	C10L	... 65-5319 ...	Steering head ballrace cone (top)	1
15 ...	C10L	... 3/16" ...	Steering head balls	24
16 ...	C10L	... 3/16" ...	Steering head balls	24
17 ...	C10L	... 65-5320 ...	Steering head ballrace cone (bottom)	1
18 ...	C10L	... 29-5138 ...	Front fork bottom yoke complete	1
19 ...	C10L	... 36-7926 ...	Front fork bottom yoke clamp bolt	2
20 ...	C10L	... 29-5134 ...	Headlamp mounting bracket distance rubber	2
21 ...	C10L	... 29-5132 ...	Headlamp mounting complete	1
22 ...	C10L	... 67-302 ...	Handlebar securing cap stud nut	4
23 ...	C10L	... 29-5134 ...	Headlamp mounting bracket distance rubber	2
24 ...	C10L	... 29-5137 ...	Front fork top yoke	1
25 ...	C10L	... 21-5513 ...	Front fork top yoke clamp bolt	1
26 ...	C10L	... 90-5028 ...	Fork outer tube top nut washer	2
27 ...	C10L	... 29-5143 ...	Fork outer tube top nut	2
28 ...	C10L	... 29-5144 ...	Fork outer tube nut cap	2
29 ...	C10L	... 29-5120 ...	Handlebar securing cap with studs	1
30 ...	C10L	... 2-2138 ...	Front fork top yoke clamp bolt nut washer	1
31 ...	C10L	... 21-5104 ...	Front fork spring scroll nut	1
32 ...	C10L	... 36-382 ...	Handlebar securing cap stud lockwasher	4
33 ...	C10L	... 42-9009 ...	Handlebar mounting bracket cable grommet	2
34 ...	C10L	... 67-6851 ...	Headlamp beading rubber extrusion	1
35 ...	C10L	... 29-5140 ...	Fork outer tube complete	2
36 ...	C10L	... 90-5096 ...	Front fork tube bottom nut retaining clip	2
37 ...	C10L	... 29-541 ...	Front fork tube grease nipple lockwasher	2
38 ...	C10L	... 28-2080 ...	Front fork tube grease nipple	2
39 ...	C10L	... 90-5067 ...	Front fork tube bottom nut	2
40 ...	C10L	... 90-5044 ...	Front fork tube oil seal	2
41 ...	C10L	... 90-5081 ...	Front fork tube gaiter	2
— ...	C10L	... 29-5146 ...	Headlamp mounting bracket distance sleeve	2

FRONT FORK and FITTINGS
C10L 1954/5



Front Fork and Fittings

Plate 12

FRONT FORK and FITTINGS

C10L (Spring Frame) 1956

Plate Ref. Number.	Model.	Part No.	Description.	Number per set.
—	...	C10L	... 29-5369 ... Front fork assembled	1
1	...	C10L	... 29-5293 ... Fork end bolt (nearside)	1
2	...	C10L	... 36-382 ... Fork end bolt washer	1
3	...	C10L	... 2-1309 ... Front fork end drain plug	2
4	...	C10L	... 2-292 ... Front fork end drain plug washer	2
5	...	C10L	... 29-5351 ... Fork sliding tube complete (nearside)	1
6	...	C10L	... 29-5346 ... Front fork top bearing	2
7	...	C10L	... 29-5320 ... Front fork top bearing circlip	2
8	...	C10L	... 29-5313 ... Front fork oil seal	2
9	...	C10L	... 29-5310 ... Front fork oil seal holder complete (nearside)	1
10	...	C10L	... 29-5373 ... Front fork spring	2
11	...	C10L	... 29-5340 ... Fork outer sleeve complete (nearside)	1
12	...	C10L	... 29-5374 ... Headlamp distance piece	2
13	...	C10L	... 29-5273 ... Front fork shaft	2
14	...	C10L	... 29-5347 ... Front fork bottom bearing	2
15	...	C10L	... 45-5112 ... Front fork shaft plug	2
16	...	C10L	... 29-5370 ... Front fork bottom yoke complete	1
17	...	C10L	... 45-5107 ... Steering stop bolt	2
18	...	C10L	... 65-5320 ... Steering head ballrace cone (bottom)	1
19	...	C10L	... 3/16" ... Steering head balls	48
20	...	C10L	... 65-5319 ... Steering head ballrace cone (top)	1
21	...	C10L	... 65-5321 ... Steering head dust cap	1
22	...	C10L	... 29-5290 ... Steering stem adjuster sleeve	1
23	...	C10L	... 21-5720 ... Front fork top yoke clamp bolt	1
24	...	C10L	... 45-5110 ... Front fork top yoke	1
25	...	C10L	... 29-5291 ... Cap for steering adjusting sleeve	1
26	...	C10L	... 29-5120 ... Handlebar securing cap with studs	1
27	...	C10L	... 65-5331 ... Front fork top nut	2
28	...	C10L	... 21-5104 ... Front fork top yoke clamp bolt nut	1
29	...	C10L	... 2-2138 ... Front fork top yoke clamp bolt washer	1
30	...	C10L	... 65-5332 ... Front fork top nut washer	2
31	...	C10L	... 36-382 ... Handlebar securing cap stud washer (shakeproof)	4
32	...	C10L	... 67-302 ... Handlebar securing cap stud nut	4
33	...	C10L	... 90-5128 ... Steering lock	1
34	...	C10L	... 24-5160 ... Front fork bottom yoke clip bolt nut	2
35	...	C10L	... 36-382 ... Front fork bottom yoke clip bolt washer (shakeproof)	2
36	...	C10L	... 29-5289 ... Front fork bottom yoke clip bolt	2
37	...	C10L	... 29-5342 ... Fork outer sleeve complete (offside)	1
38	...	C10L	... 29-5310 ... Front fork oil seal holder complete (offside)	1
39	...	C10L	... 29-5353 ... Fork sliding tube complete (offside)	1

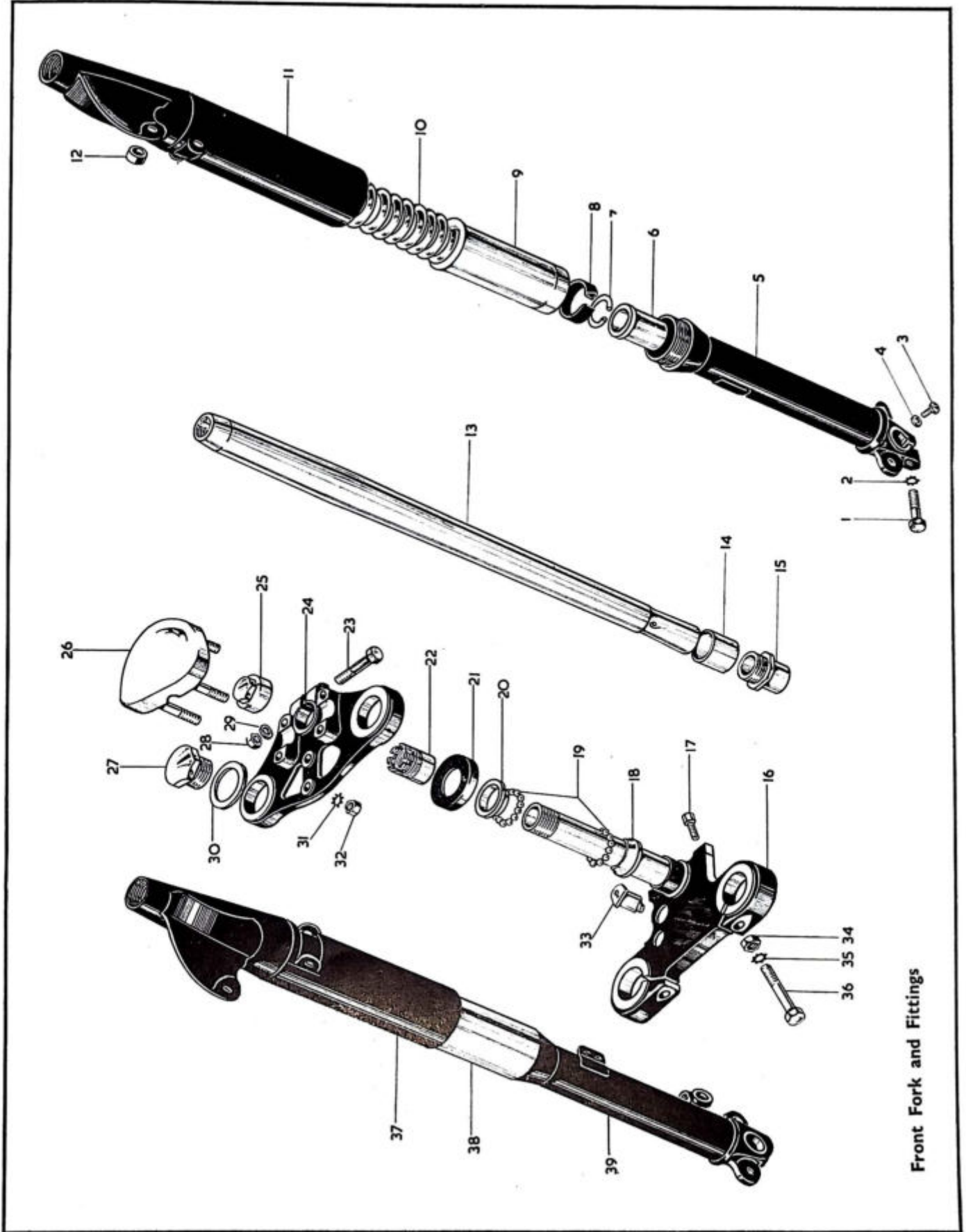
Plate 13

FRONT FORK and FITTINGS

C11G and C12.

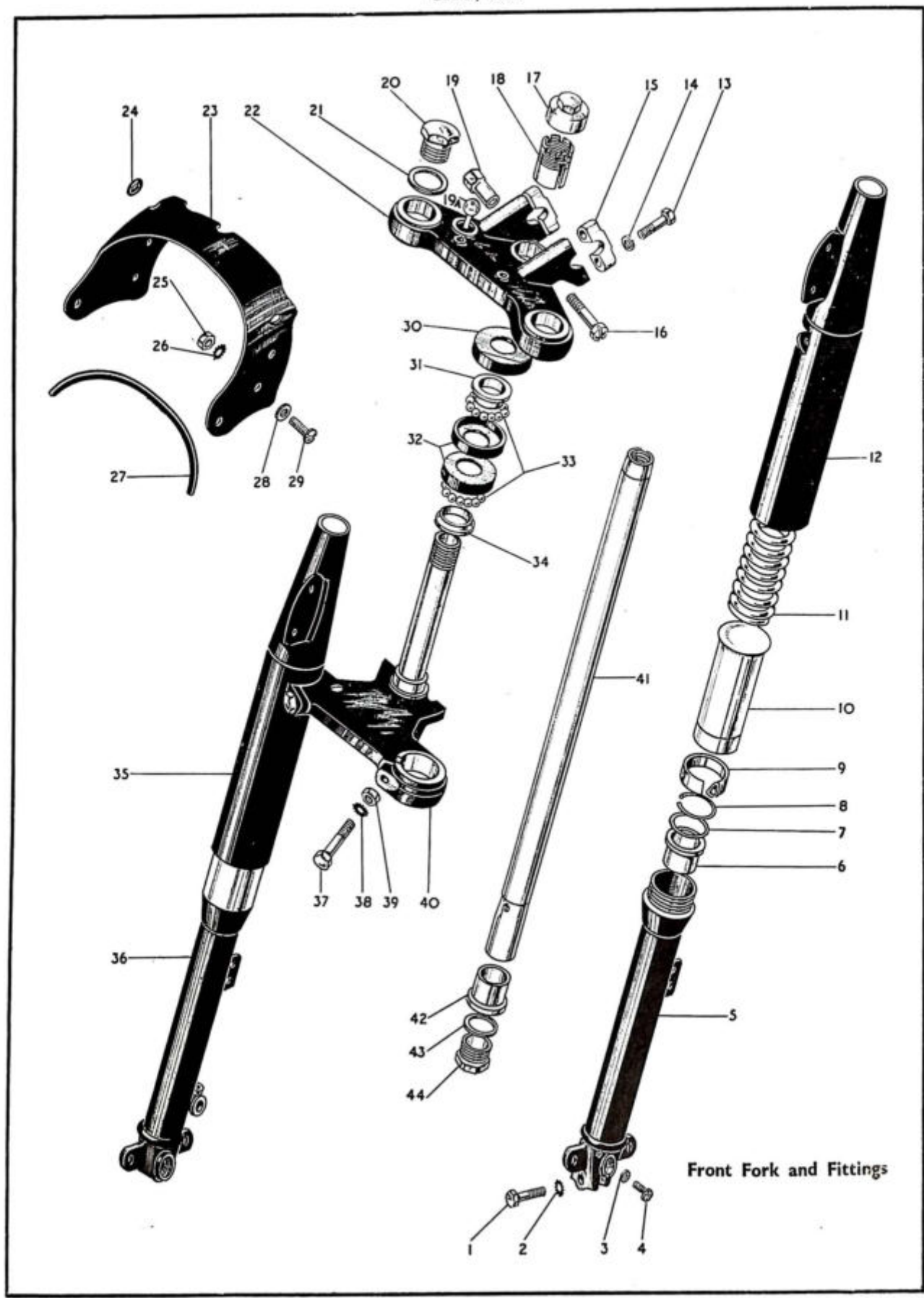
Plate Ref. Number.	Model.	Part No.	Description.	Number per set.
—	...	C11G	... 29-5124 ... Front fork and fittings assembled (1954)	1
—	...	C11G	... 29-5170 ... Front fork and fittings assembled (1955)	1
—	...	C12	... 29-5170 ... Front fork and fittings assembled	1
1	...	C11G	... 29-5293 ... Fork end bolt (nearside)	1
1	...	C12	... 65-5295 ... Fork end bolt (nearside)	1
2	...	C11G, C12	... 36-382 ... Fork end bolt spring washer	1
3	...	C11G, C12	... 2-292 ... Front fork end drain plug washer	2
4	...	C11G, C12	... 2-1309 ... Front fork end drain plug	2
5	...	C11G	... 29-5166 ... Fork sliding tube (nearside) complete (1955)	1
5	...	C12	... 29-5166 ... Fork sliding tube (nearside) complete	1
5	...	C11G	... 29-5351 ... Fork sliding tube (nearside) (1954)	1
6	...	C11G, C12	... 29-5346 ... Front fork top bearing	2
7	...	C11G, C12	... 29-5335 ... Top bush shim (.010")	as reqd.
7	...	C11G, C12	... 29-5336 ... Top bush shim (.020")	as reqd.
7	...	C11G, C12	... 29-5337 ... Top bush shim (.030")	as reqd.
8	...	C11G, C12	... 29-5320 ... Front fork top bearing circlip	2
9	...	C11G, C12	... 29-5313 ... Front fork oil seal	2
10	...	C11G, C12	... 29-5310/3... Front fork oil seal holder complete	2
11	...	C11G, C12	... 65-5390 ... Front fork spring	2

FRONT FORK and FITTINGS
C10L (Spring Frame) 1956



Front Fork and Fittings

FRONT FORK and FITTINGS
C11G, C12



Front Fork and Fittings

Plate 13—continued

FRONT FORK and FITTINGS
C11G and C12

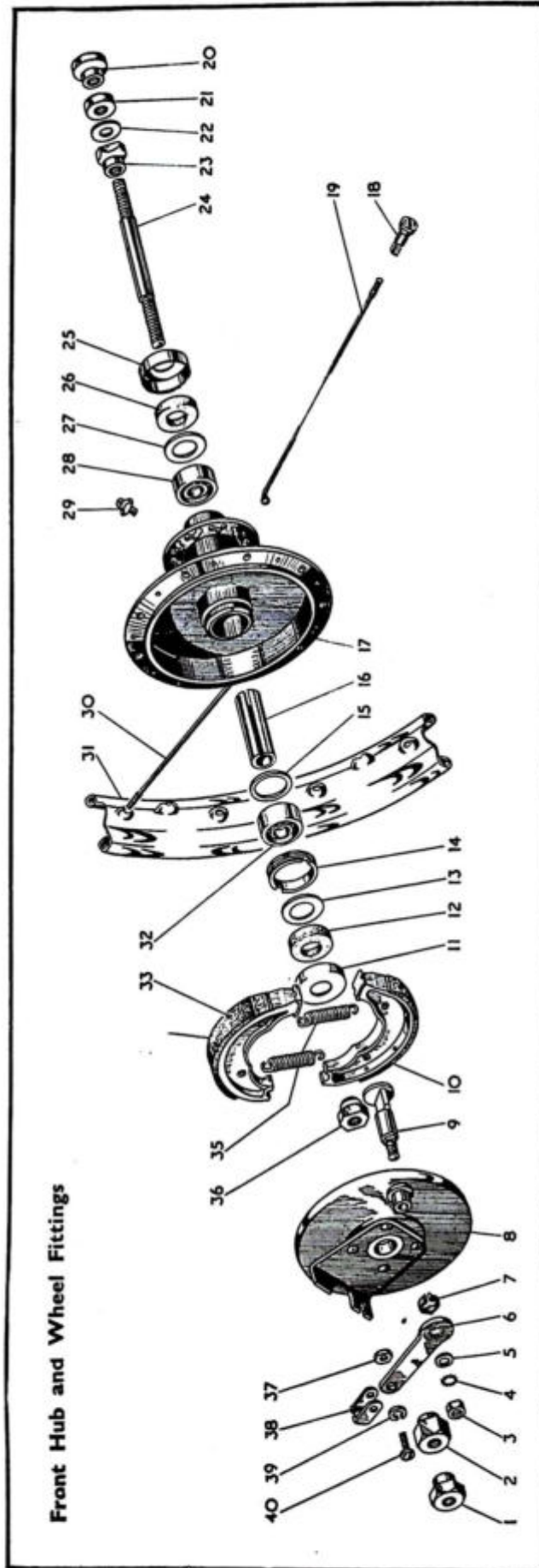
Plate Ref. Number.	Model.	Part No.	Description.	Number per set.
12 ...	C11G, C12	29-5129	Fork outer sleeve complete (nearside)	1
13 ...	C11G, C12	65-5334	Handlebar clip bolt	4
14 ...	C11G, C12	15-5155	Handlebar clip bolt washer	4
15 ...	C11G, C12	65-5333	Handlebar clip	2
16 ...	C11G, C12	27-5135	Top yoke clip bolt	1
17 ...	C11G, C12	29-5291	Steering stem adjusting cap	1
18 ...	C11G, C12	29-5290	Steering stem adjusting sleeve	1
19 ...	C11G, C12	29-5315	Top yoke clip bolt nut	1
19A ...	C11G, C12	65-5445	Steering head lock	1
20 ...	C11G, C12	65-5331	Front fork top nut	2
21 ...	C11G, C12	65-5332	Front fork top nut washer	2
22 ...	C11G	29-5171	Front fork top yoke (1955)	1
22 ...	C12	29-5171	Front fork top yoke	1
23 ...	C11G, C12	29-5126	Headlamp cowl complete	1
24 ...	C11G, C12	42-9009	Headlamp cowl cable grommet	2
25 ...	C11G, C12	2-2395	Headlamp cowl sleeve bolt nut	4
26 ...	C11G, C12	29-541	Headlamp cowl sleeve bolt washer	4
27 ...	C11G, C12	67-6851	Headlamp beading	1
28 ...	C11G, C12	2-525	Headlamp cowl sleeve bolt washer	8
29 ...	C11G, C12	24-7178	Headlamp cowl sleeve bolt	4
30 ...	C11G, C12	65-5321	Steering head dust cap	1
31 ...	C11G, C12	65-5319	Steering head ballrace cone (top)	1
32 ...	C11G, C12	65-4465	Ball head cup	2
33 ...	C11G, C12	3/16"	Steering head balls	48
34 ...	C11G, C12	65-5320	Steering head ballrace cone (bottom)	1
35 ...	C11G, C12	29-5128	Fork outer sleeve (offside) complete	1
36 ...	C11G	29-5167	Fork sliding tube (offside) complete (1955)	1
36 ...	C12	29-5167	Fork sliding tube (offside) complete	1
36 ...	C11G	29-5353	Fork sliding tube (offside) (1954)	1
37 ...	C11G, C12	29-5289	Front fork bottom yoke clip bolt	2
38 ...	C11G, C12	36-382	Fork bottom yoke clip cup bolt washer	1
39 ...	C11G, C12	24-5160	Front fork bottom yoke clip bolt nut	2
40 ...	C11G, C12	29-5286	Front fork bottom yoke complete	1
41 ...	C11G, C12	29-5273	Front fork shaft	2
42 ...	C11G, C12	29-5347	Front fork bottom bearing	2
43 ...	C11G, C12	29-5338	Fork shaft plug washer	2
44 ...	C11G, C12	29-5283	Front fork shaft plug	2

Plate 14

FRONT HUB and WHEEL FITTINGS
C10L (Spring Frame) (1954/5)

Plate Ref. Number.	Model.	Part No.	Description.	Number per set.
— ...	C10L	29-5924/42	Front wheel complete with spindle and bearings (less brake and tyre).	1
1 ...	C10L	90-5575	Front hub spindle nut	1
2 ...	C10L	90-5544	Hub cover plate locking sleeve	1
3 ...	C10L	2-440	Brake cam nut	1
4 ...	C10L	66-4708	Brake cam nut washer (shakeproof)	1
5 ...	C10L	15-431	Brake cam bearing washer (plain)	1
6 ...	C10L	24-7800	Brake operating lever	1
7 ...	C10L	65-5674	Brake cam bearing oil hole cover	1
8 ...	C10L	29-5935	Front brake cover plate complete	1
9 ...	C10L	29-5856	Brake cam complete	1
10 ...	C10L	29-5850	Brake shoe complete with lining	2
11 ...	C10L	90-5539	Felt retaining cup	1
12 ...	C10L	90-5540	Hub felt washer	1
13 ...	C10L	90-5538	Felt retaining washer (steel)	1
14 ...	C10L	90-5537	Hub bearing lockring	1
15 ...	C10L	90-5536	Bearing locating washer	1
16 ...	C10L	90-5535	Hub bearing distance piece	1
17 ...	C10L	29-5928/40	Front hub shell complete with spindle and bearings	1
18 ...	C10L	27-6813	Front wheel spoke nipple	36
19 ...	C10L	90-5584	Front wheel spoke (left-hand)	18
20 ...	C10L	90-5575	Front hub spindle nut	1
21 ...	C10L	90-5543	Front hub spindle locknut	1

FRONT HUB and WHEEL FITTINGS
C10L (Spring Frame) 1954/5



Front Hub and Wheel Fittings

Plate 14—continued FRONT HUB and WHEEL FITTINGS
C10L (Spring Frame) (1954/5)

Plate Ref. Number.	Models.	Part No.	Description.	Number per set
22 ...	C10L	90-5545	Hub spindle shim (.010") (as required)	1
23 ...	C10L	90-5546	Hub bearing locknut	1
24 ...	C10L	90-5541	Front hub spindle	1
25 ...	C10L	90-5539	Felt retaining cup	1
26 ...	C10L	90-5540	Hub felt washer	1
27 ...	C10L	90-5538	Felt retaining washer (steel)	1
28 ...	C10L	90-5525	Hub bearing	1
29 ...	C10L	28-2080	Hub shell grease nipple	1
30 ...	C10L	29-5940	Front wheel spoke (right-hand)	18
31 ...	C10L	90-5504/3	Front wheel rim (WM1-19)	1
32 ...	C10L	90-5525	Hub bearing	1
33 ...	C10L	29-5853	Brake shoe lining rivet	14
34 ...	C10L	29-5852	Brake shoe lining	2
35 ...	C10L	65-5904	Brake shoe spring	2
36 ...	C10L	90-5546	Hub bearing locknut	1
37 ...	C10L	2-443	Brake operating lever toggle nut	1
38 ...	C10L	29-5871	Brake operating lever toggle	1
39 ...	C10L	2-1462	Brake operating lever toggle washer (spring)	1
40 ...	C10L	2-510	Brake operating lever toggle screw	1

Plate 15 FRONT HUB and WHEEL FITTINGS
C11G (1954) C10L (1956)

Plate Ref. Number.	Model.	Part No.	Description.	Number per set.
— ...	C10L, C11G	29-5770/41	Front wheel complete (less brake and tyre)	1
1 ...	C10L, C11G	29-5837	Front hub spindle	1
2 ...	C10L, C11G	29-5842	Front hub locking nut	1
3 ...	C10L, C11G	29-5833	Front hub adjusting cone	1
4 ...	C10L, C11G	29-5840	Front hub felt retaining cup	1
5 ...	C10L, C11G	24-6790	Front hub washer (felt)	1
6 ...	C10L, C11G	29-5841	Front hub retaining washer	1
7 ...	C10L, C11G	5/16" dia.	Balls	11
8 ...	C10L, C11G	29-5832	Front hub cup	1
9 ...	C11G	15-5290	Front hub grease nipple	1
9 ...	C10L	28-2080	Grease nipple (1956)	1
10 ...	C10L, C11G	29-5825/37	Front hub shell complete with bearing	1
11 ...	C10L, C11G	24-7012	Front wheel spoke (left-hand)	20
12 ...	C10L, C11G	29-5832	Front hub cup	1
13 ...	C10L, C11G	5/16" dia.	Balls	11
14 ...	C10L, C11G	29-5841	Front hub retaining washer	1
15 ...	C10L, C11G	24-6790	Front hub washer (felt)	1
16 ...	C10L, C11G	29-5840	Front hub felt retaining cup	1
17 ...	C10L, C11G	29-5834	Front hub fixed cone	1
18 ...	C10L, C11G	29-5853	Front brake shoe lining rivet	14
19 ...	C10L, C11G	29-5850	Front brake shoe with lining	1
20 ...	C10L, C11G	29-5863	Front brake cover plate	1
21 ...	C10L, C11G	29-5842	Front hub locking nut	1
22 ...	C10L, C11G	29-5852	Front brake shoe lining	2
23 ...	C10L, C11G	2-440	Front brake operating nut	1
24 ...	C10L, C11G	66-4708	Front brake operating lever washer (shakeproof)	1
25 ...	C10L, C11G	15-431	Front brake operating lever washer (plain)	1
26 ...	C10L, C11G	24-7800	Front brake lever	1
27 ...	C10L, C11G	65-5674	Front brake cam bearing oil hole clip	1
28 ...	C10L, C11G	65-5904	Front brake shoe spring	2
30 ...	C10L, C11G	29-5856	Front brake cam complete	1
31 ...	C10L, C11G	29-5776/3	Front wheel rim	1
32 ...	C10L, C11G	29-5839	Front hub spindle nut	1
33 ...	C10L, C11G	29-5835	Front hub spindle sleeve	1
34 ...	C10L, C11G	29-5836	Front hub spindle distance piece	1
35 ...	C10L, C11G	24-7012	Front wheel spoke (right-hand)	20
36 ...	C10L, C11G	27-6813	Front wheel spoke nipple	40

Plate 15

FRONT HUB and WHEEL FITTINGS

C11G (1954), C10L (1956)

Plate 16

C11G (1955)

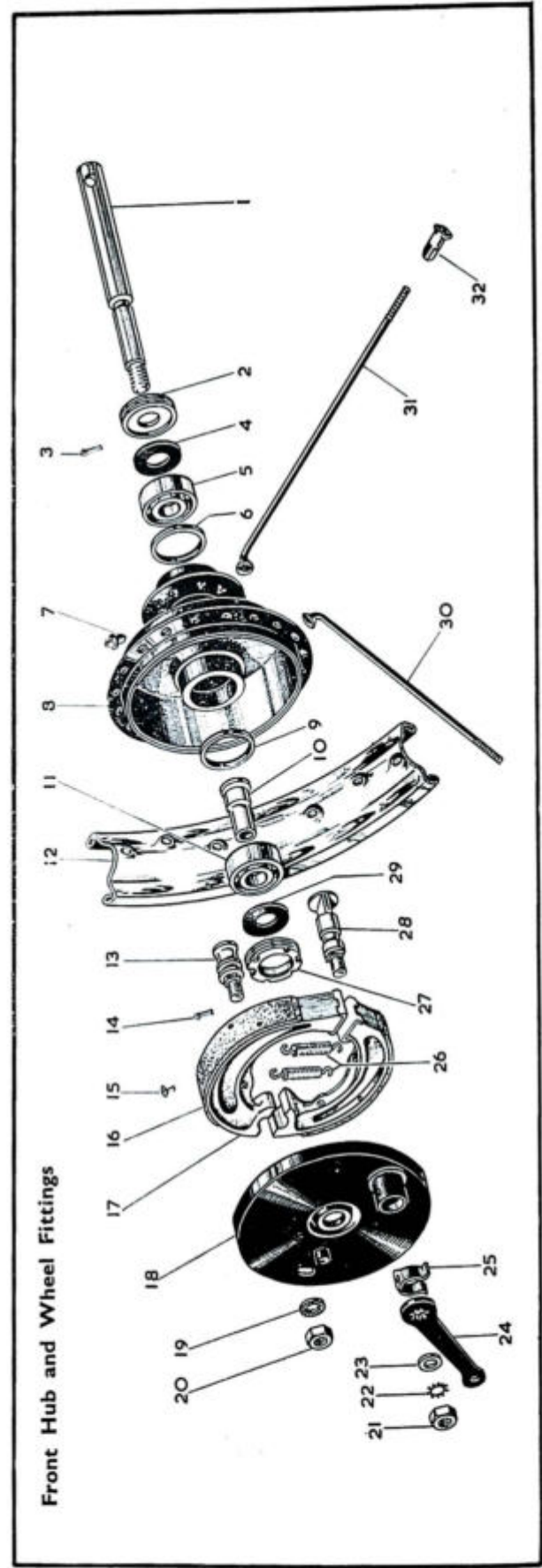
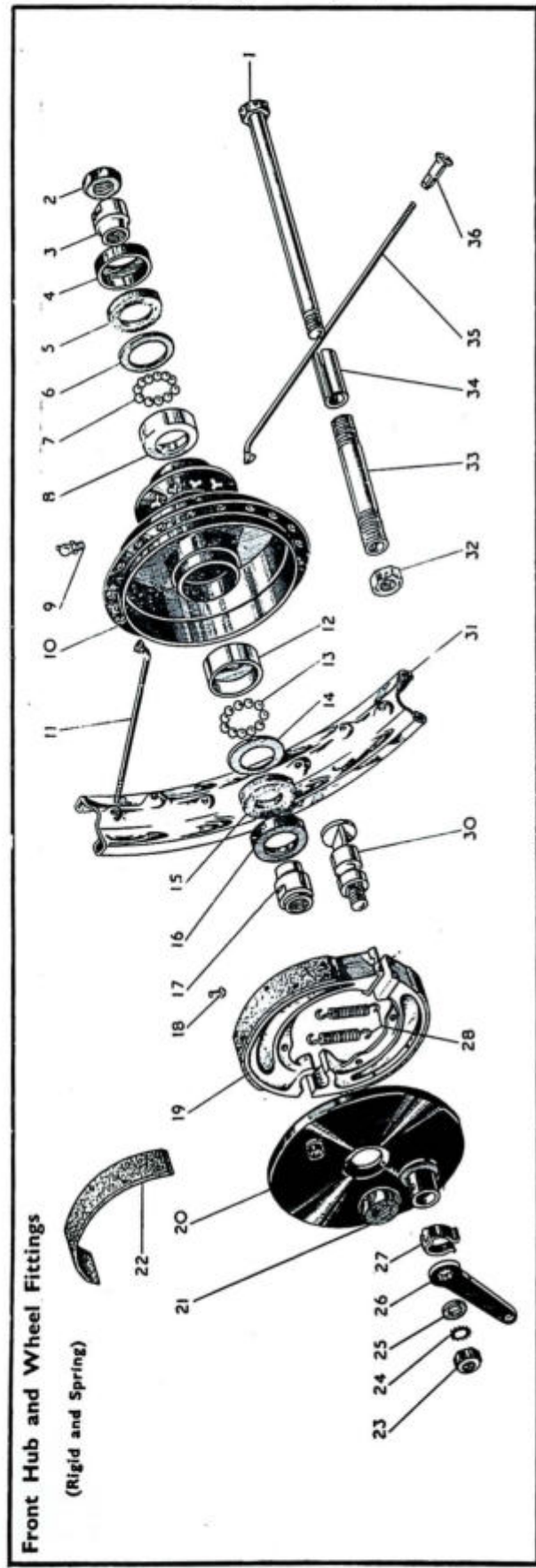


Plate 16

FRONT HUB and WHEEL FITTINGS
C11G (1955)

Plate Ref. Number.	Model.	Part No.	Description.	Number per set.
—	C11G	29-5958	Front wheel complete (less tyres and brake)	1
1	C11G	29-5971	Front hub spindle	1
2	C11G	67-5561	Front hub bearing locking ring (nearside)	1
3	C11G	35-701	Locking ring retaining pin (nearside)	1
4	C11G	67-5563	Front hub washer (nearside) (oil proof synthetic rubber)	1
5	C11G	65-5883	Front hub ball journal (nearside)	1
6	C11G	65-5884	Front hub bearing thrust washer (nearside)	1
7	C11G	28-2080	Front hub grease nipple	1
8	C11G	29-5962	Front hub complete with spindle and bearing (less brake)	1
9	C11G	65-5884	Front hub bearing thrust washer (offside)	1
10	C11G	67-5565	Front hub spindle sleeve	1
11	C11G	65-5883	Front hub ball journal (offside)	1
12	C11G	29-5959	Front wheel rim	1
13	C11G	65-5899	Front brake shoe fulcrum pin	1
14	C11G	35-701	Locking ring retaining pin (offside)	1
15	C11G	35-6436	Front brake shoe lining rivet	14
16	C11G	65-5903	Front brake shoe lining	2
17	C11G	65-5901	Front brake shoe complete with linings	2
18	C11G	29-5968	Front brake cover plate complete	1
19	C11G	24-8045	Front brake shoe fulcrum pin serrated washer	1
20	C11G	24-5860	Front brake shoe fulcrum pin nut	1
21	C11G	2-440	Front brake shoe cam nut	1
22	C11G	66-4708	Front brake shoe cam washer (shakeproof)	1
23	C11G	15-431	Front brake shoe cam washer (plain)	1
24	C11G	65-5907	Front brake shoe cam lever	1
25	C11G	65-5674	Front brake shoe cam bearing oil hole clip	1
26	C11G	65-5904	Front brake shoe spring	2
27	C11G	67-5562	Front hub and bearing locking ring (offside)	1
28	C11G	65-5905	Front brake shoe cam complete	1
29	C11G	67-5564	Front hub rubber washer (oilproof)	1
30	C11G	65-5910	Front wheel spoke (short)	20
31	C11G	27-7012	Front wheel spoke (long)	20
32	C11G	27-6813	Front wheel spoke nipple	40

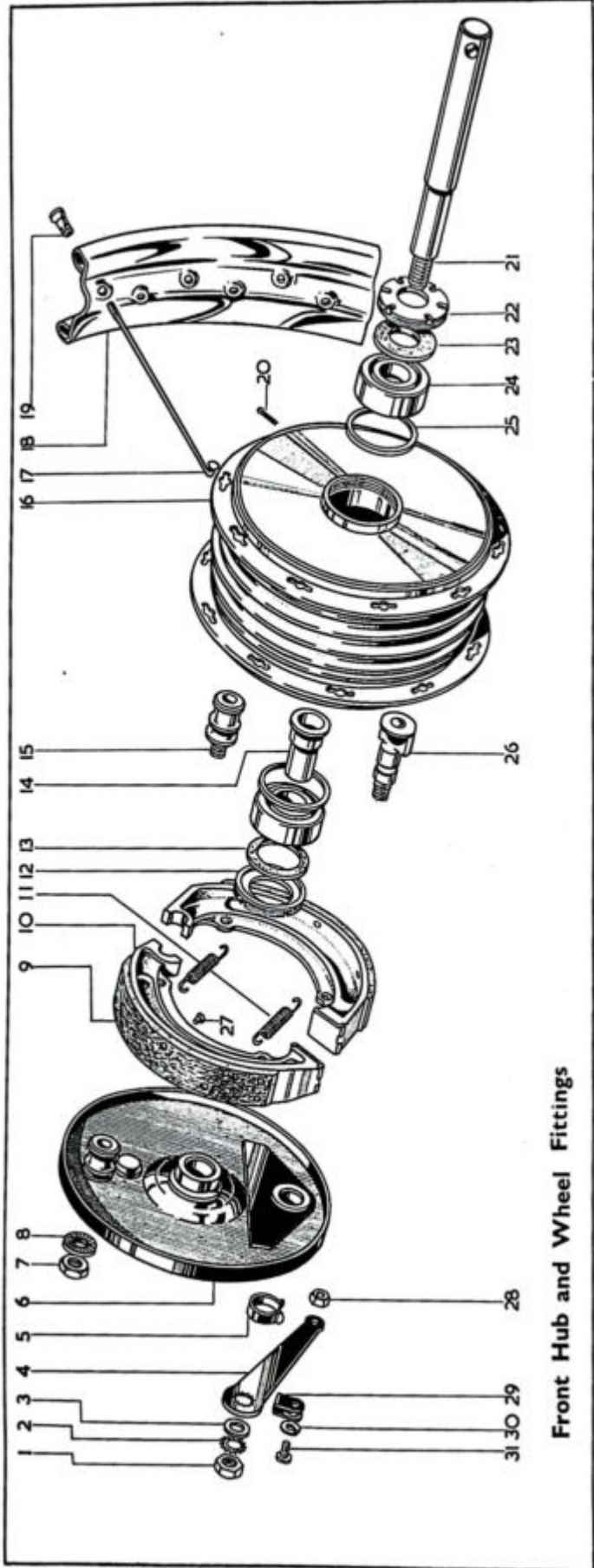
Plate 17

FRONT HUB and WHEEL FITTINGS
C12 (Swinging Arm)

Plate Ref. Number.	Model.	Part No.	Description.	Number per set.
—	C12	29-5973	Front wheel complete with bearings (less brake and tyre)	1
1	C12	2-440	Front brake shoe cam nut	1
2	C12	66-4708	Front brake shoe cam washer (spring)	1
3	C12	15-431	Front brake shoe cam washer (plain)	1
4	C12	65-5907	Front brake shoe cam lever	1
5	C12	65-5674	Front brake shoe cam bearing oil hole clip	1
6	C12	29-5968	Front brake cover plate	1
7	C12	24-5860	Front brake shoe fulcrum pin nut	1
8	C12	24-8045	Front brake shoe fulcrum pin washer (serrated)	1
9	C12	65-5903	Front brake shoe lining	2
10	C12	65-5901	Front brake shoe complete	2
11	C12	65-5904	Front brake shoe spring	2
12	C12	67-5562	Front hub bearing locking ring (offside)	1
13	C12	67-5564	Front hub washer (rubber)	1
14	C12	67-5565	Front hub spindle sleeve	1
15	C12	65-5899	Front brake shoe fulcrum pin	1
16	C12	29-5979	Front hub complete with bearings	1
17	C12	29-5976	Front wheel spoke	40
18	C12	29-5991	Front wheel rim	1
19	C12	27-6813	Front wheel spoke nipple	40
20	C12	35-701	Locking ring retaining pin (offside and nearside)	2
21	C12	29-5971	Front hub spindle	1
22	C12	67-5561	Front hub bearing locking ring (nearside)	1
23	C12	67-5563	Front hub washer (rubber) (nearside)	1
24	C12	65-5883	Front hub ball journal	2
25	C12	65-5884	Front hub bearing thrust washer	2
26	C12	65-5905	Brake shoe cam	1
27	C12	35-6436	Front brake shoe lining rivet	14
28	C12	2-443	Front brake cable toggle end screw nut	1
29	C12	29-5871	Front brake cable toggle end	1
30	C12	2-1462	Front brake cable toggle washer (spring)	1
31	C12	2-510	Front brake cable toggle end screw	1

FRONT HUB and WHEEL FITTINGS

C12 (Swinging Arm)



Front Hub and Wheel Fittings

Plate 18

REAR HUB and WHEEL FITTINGS

C10L

Plate Ref. Number.	Model	Part No.	Description	Number per set.
— ...	C10L	... 90-6153/42	Rear wheel complete with spindle and bearings (less brake and tyre).	1
1 ...	C10L	... 66-5541 ...	Rear hub barrel cap (supplied only when speedometer is not fitted).	1
2 ...	C10L	... 24-5909 ...	Rear hub barrel cap washer (when speedometer is not fitted)	1
3 ...	C10L	... 90-6084 ...	Chain adjuster cap	1
4 ...	C10L	... 2-51 ...	Chain adjuster nut	1
5 ...	C10L	... 90-6067 ...	Hub spindle nut	2
6 ...	C10L	... 90-6085 ...	Chain adjuster	1
7 ...	C10L	... 90-6066 ...	Hub spindle locknut	1
8 ...	C10L	... 29-8740 ...	Speedometer drive washer (1954/5)	1
9 ...	C10L	... 66-6266 ...	Speedometer drive (1954/5)	1
10 ...	C10L	... 90-6072 ...	Felt retaining cap	1
11 ...	C10L	... 90-6073 ...	Hub washer (felt) (offside)	1
12 ...	C10L	... 90-6064 ...	Hub distance piece	1
13 ...	C10L	... 90-6075 ...	Felt retaining washer (steel)	2
14 ...	C10L	... 90-6063 ...	Hub bearing	1
15 ...	C10L	... 90-6092 ...	Hub spindle with nut	1
16 ...	C10L	... 28-2080 ...	Hub grease nipple	1
17 ...	C10L	... 90-6090/40	Rear hub complete with spindle and bearings (1954/5)	1
17 ...	C10L	... 90-6090 ...	Rear hub complete with spindle and bearings (1956)	1
18 ...	C10L	... 15-7072 ...	Rear wheel spoke (left-hand) (1954/5) -	18
18 ...	C10L	... 90-6042 ...	Rear wheel spoke (left-hand) (1956)	18
19 ...	C10L	... 90-6155/3 ...	Rear wheel rim	1
20 ...	C10L	... 90-5522 ...	Brake shoe lining	2
21 ...	C10L	... 90-6072 ...	Felt retaining cup	1
22 ...	C10L	... 90-5549 ...	Brake shoe lining rivets	14
23 ...	C10L	... 90-5520 ...	Brake shoe with lining	2
24 ...	C10L	... 65-5904 ...	Brake shoe spring	2
25 ...	C10L	... 90-6059 ...	Rear hub cover plate complete	1
26 ...	C10L	... 90-6067 ...	Hub spindle nut	1
27 ...	C10L	... 2-51 ...	Chain adjuster nut	1
28 ...	C10L	... 90-6084 ...	Chain adjuster cap	1
29 ...	C10L	... 90-6085 ...	Chain adjuster	1
30 ...	C10L	... 21-5103 ...	Brake operating lever nut	1
31 ...	C10L	... 90-6096 ...	Cover plate locking sleeve	1
32 ...	C10L	... 36-382 ...	Brake operating lever washer	1
33 ...	C10L	... 15-5155 ...	Brake operating lever washer	1
34 ...	C10L	... 90-6043 ...	Brake operating lever	1
35 ...	C10L	... 90-6095 ...	Cover plate distance piece	1
36 ...	C10L	... 90-5533 ...	Brake cam	1
37 ...	C10L	... 90-6074 ...	Hub washer (felt) (nearside)	1
38 ...	C10L	... 90-6071 ...	Hub bearing locking	1
39 ...	C10L	... 90-6075 ...	Felt retaining washer (steel)	1
40 ...	C10L	... 90-6063 ...	Hub bearing	1
41 ...	C10L	... 90-6076 ...	Hub bearing thrust washer	1
42 ...	C10L	... 90-6064 ...	Hub bearing distance piece	1
43 ...	C10L	... 90-5584 ...	Rear wheel spoke (right-hand)	18
44 ...	C10L	... 27-6813 ...	Rear wheel spoke nipple	36
45 ...	C10L	... 29-9317 ...	Transmission chain (110 pitches)	1

Plate 19

REAR HUB and WHEEL FITTINGS

C11G (Spring)

Plate Ref. Number.	Model	Part No.	Description	Number per set.
— ...	C11G	... 29-6201/41	Rear wheel complete (less brake and tyre)	1
1 ...	C11G	... 29-6241 ...	Rear brake operating lever	1
2 ...	C11G	... 15-431 ...	Rear brake operating lever washer (plain)	1
3 ...	C11G	... 66-4708 ...	Rear brake operating lever washer (shakeproof)	1
4 ...	C11G	... 2-440 ...	Rear brake operating nut	1
5 ...	C11G	... 24-7122 ...	Hub spindle nut	1
6 ...	C11G	... 29-6243 ...	Chain adjuster	1
7 ...	C11G	... 36-3528 ...	Hub spacing washer (offside)	1
8 ...	C11G	... 29-6217 ...	Hub cover plate spindle nut	1
9 ...	C11G	... 29-5852 ...	Rear brake shoe lining	2

Plate 18

REAR HUB and WHEEL FITTINGS

Plate 19

C10L

C11G (Spring)

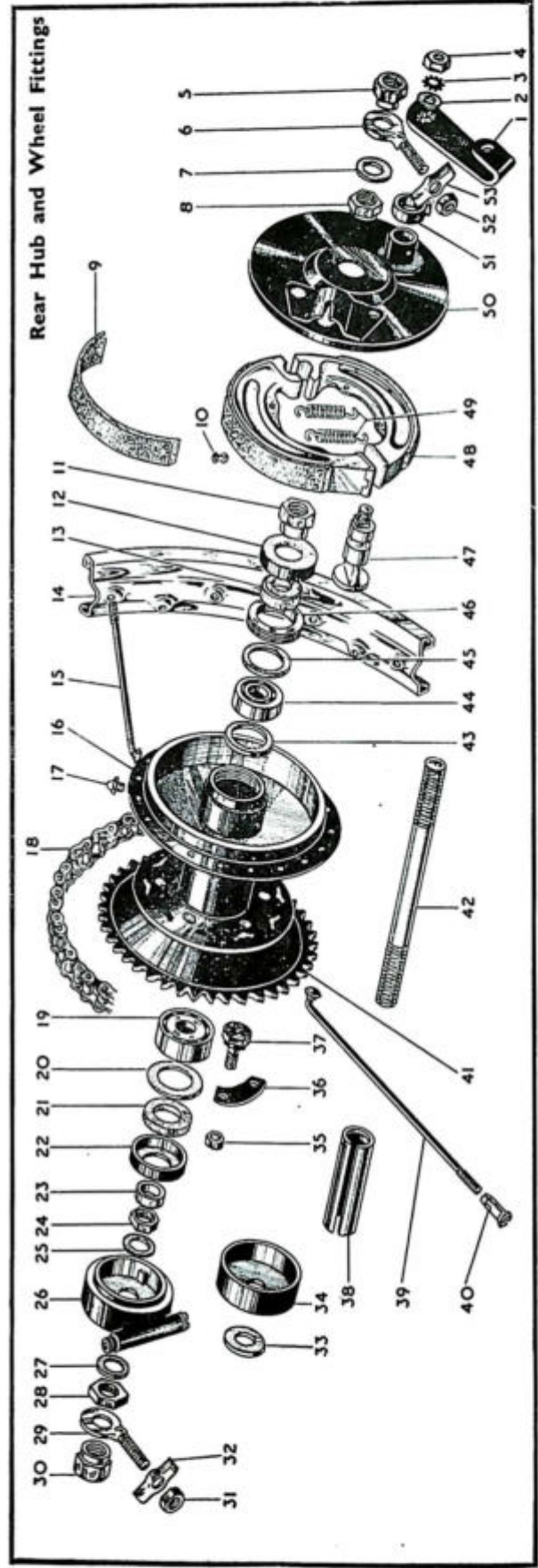
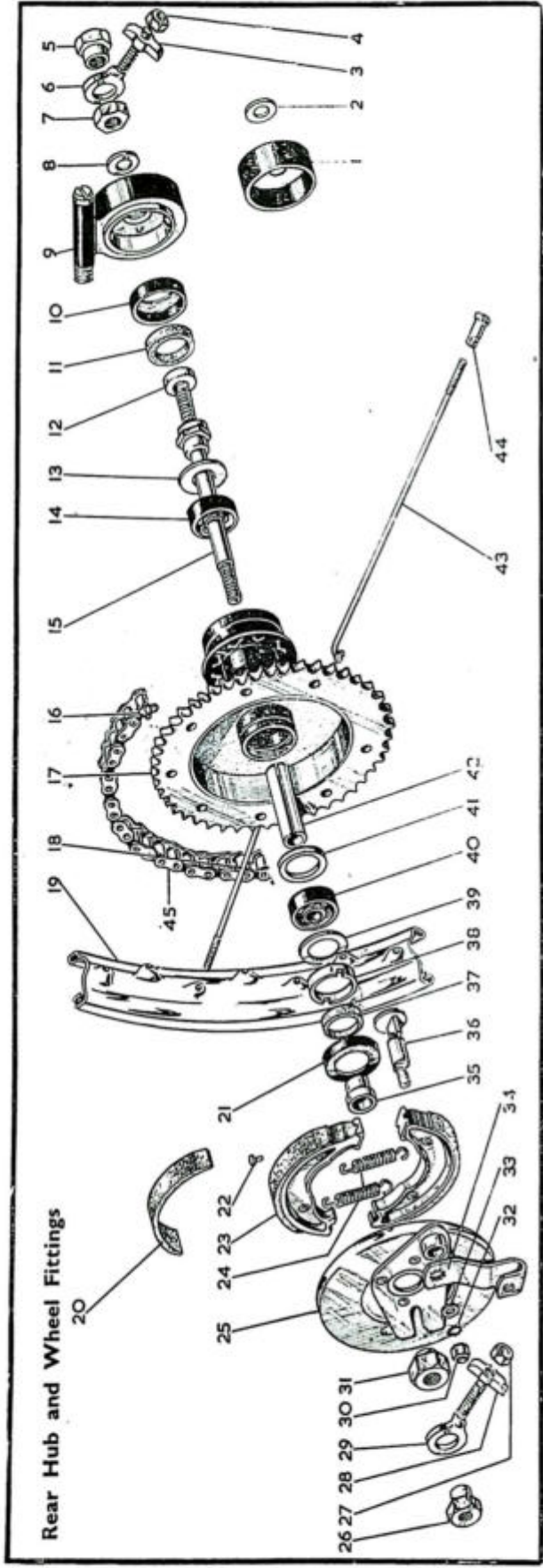


Plate 19—continued. REAR HUB and WHEEL FITTINGS
C11G (Spring)

Plate Ref. Number.	Model.	Part No.	Description.	Number per set.
10	...	C11G	...	14
11	...	C11G	...	1
12	...	C11G	...	1
13	...	C11G	...	1
14	...	C11G	...	1
15	...	C11G	...	1
16	...	C11G	...	20
17	...	C11G	...	1
18	...	C11G	...	1
19	...	C11G	...	1
20	...	C11G	...	1
21	...	C11G	...	1
22	...	C11G	...	1
23	...	C11G	...	1
24	...	C11G	...	1
25	...	C11G	...	1
26	...	C11G	...	1
27	...	C11G	...	1
28	...	C11G	...	1
29	...	C11G	...	1
30	...	C11G	...	1
31	...	C11G	...	1
32	...	C11G	...	1
33	...	C11G	...	1
34	...	C11G	...	1
35	...	C11G	...	6
36	...	C11G	...	3
37	...	C11G	...	6
38	...	C11G	...	1
39	...	C11G	...	20
40	...	C11G	...	40
41	...	C11G	...	1
42	...	C11G	...	1
43	...	C11G	...	1
44	...	C11G	...	1
45	...	C11G	...	1
46	...	C11G	...	1
47	...	C11G	...	1
48	...	C11G	...	2
49	...	C11G	...	2
50	...	C11G	...	1
51	...	C11G	...	1
52	...	C11G	...	1
53	...	C11G	...	1

Plate 20 REAR HUB and WHEEL FITTINGS
C11G (Rigid)

Plate Ref. Number.	Model	Part No.	Description	Number per set.
—	...	C11G	...	1
1	...	C11G	...	20
2	...	C11G	...	1
3	...	C11G	...	1
4	...	C11G	...	1
5	...	C11G	...	1
6	...	C11G	...	1
7	...	C11G	...	1
8	...	C11G	...	1
9	...	C11G	...	1
10	...	C11G	...	1
11	...	C11G	...	1
12	...	C11G	...	1
13	...	C11G	...	10
14	...	C11G	...	1

REAR HUB and WHEEL FITTINGS
C11G (Rigid)

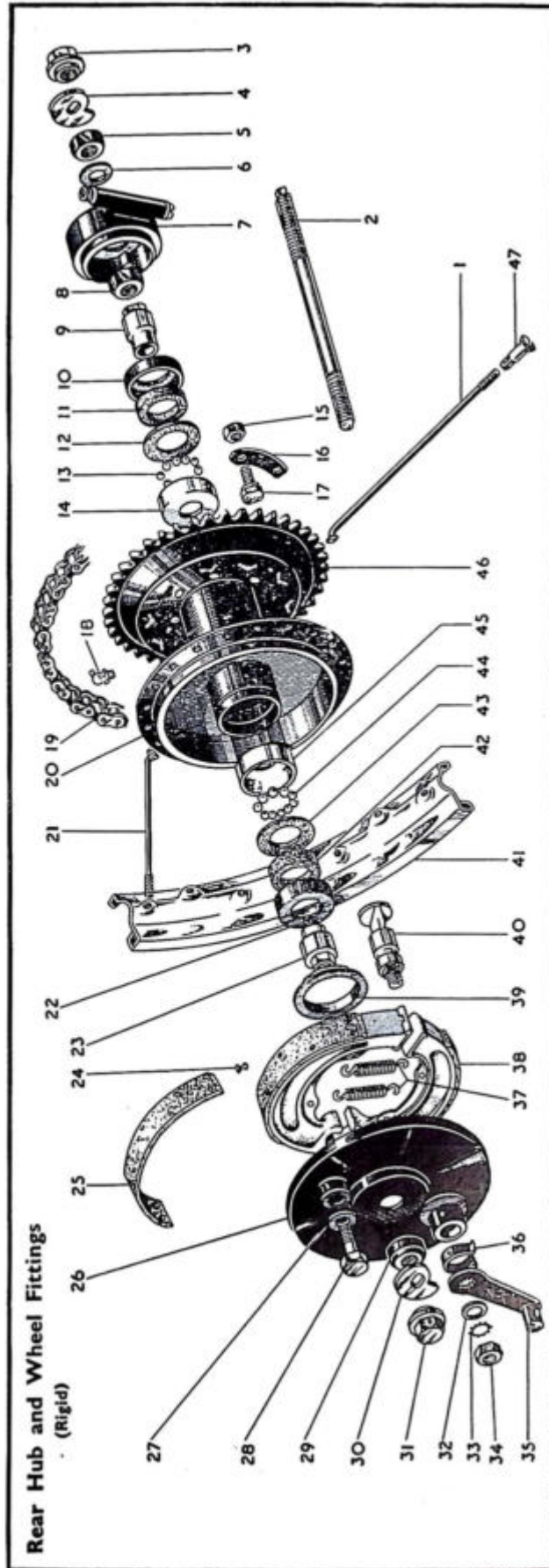


Plate 20—continued

REAR HUB and WHEEL FITTINGS
C11G (Rigid)

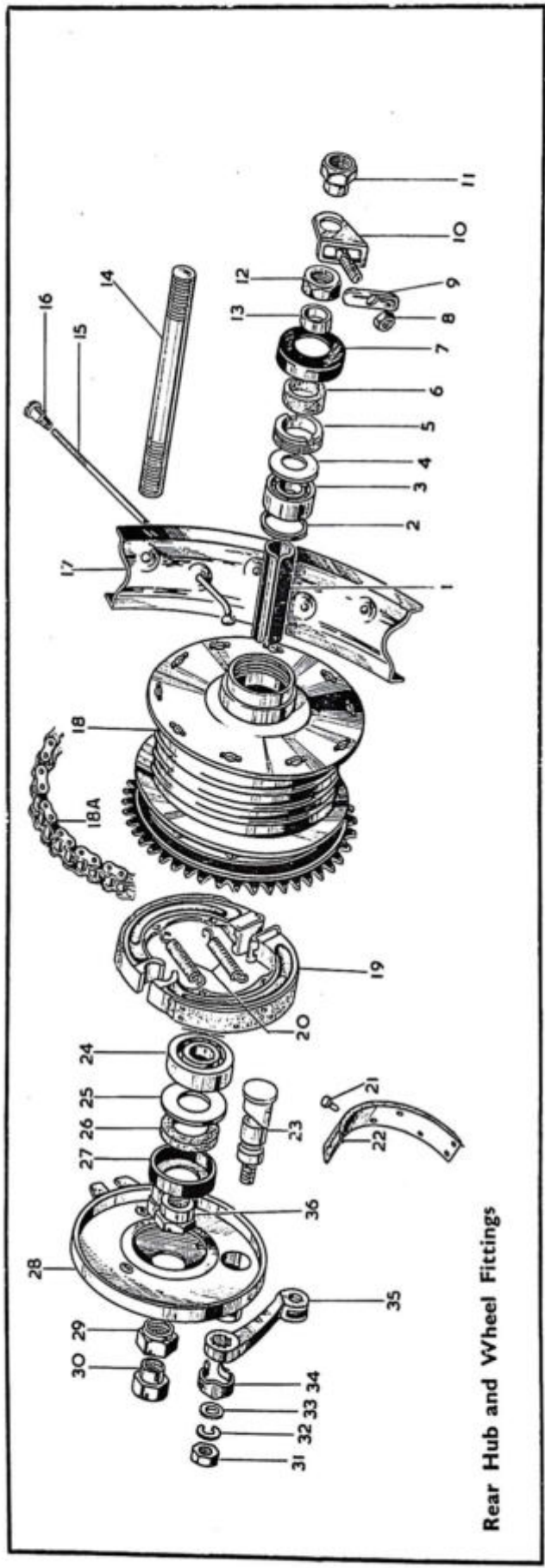
Plate Ref. Number.	Model.	Part No.	Description.	Number per set.
15	C11G	2-833	Rear hub flange and chainwheel bolt nut	6
16	C11G	29-6188	Rear hub flange and chainwheel bolt lock strip	3
17	C11G	29-6187	Rear hub flange and chainwheel bolt	6
18	C11G	15-5290	Rear hub grease nipple	1
19	C11G	65-9188	Rear transmission chain	1
20	C11G	29-6181/37	Rear hub shell complete with bearings	1
21	C11G	24-7014	Rear wheel spoke (right-hand)	20
22	C11G	29-5710	Rear hub felt retaining cup	1
23	C11G	29-5700	Rear hub cone	1
24	C11G	29-5853	Rear brake shoe lining rivet	14
25	C11G	29-5852	Rear brake shoe lining	2
26	C11G	29-6196	Rear hub cover plate with fixed fittings	1
27	C11G	24-7911	Rear brake anchor bolt washer (plain)	1
28	C11G	29-6110	Rear brake anchor bolt	1
29	C11G	65-5832	Rear hub distance piece	1
30	C11G	27-6738	Rear hub adjusting plate	1
31	C11G	27-6732	Rear hub spindle nut	1
32	C11G	15-431	Rear brake operating lever washer (plain)	1
33	C11G	66-4708	Rear brake operating lever washer (shakeproof)	1
34	C11G	2-440	Rear brake operating lever nut	1
35	C11G	29-7360	Rear brake operating lever complete	1
36	C11G	65-5674	Rear brake cam oil hole clip	1
37	C11G	65-5904	Rear brake shoe springs	2
38	C11G	29-5850	Rear brake shoe complete	2
39	C11G	29-5905	Rear hub oil retaining washer	1
40	C11G	29-5856	Rear brake cam complete	1
41	C11G	29-5776/3	Rear wheel rim	1
42	C11G	24-7047	Rear hub washer (felt)	1
43	C11G	29-5715	Rear hub felt retaining washer	1
44	C11G	5/16" dia.	Balls	10
45	C11G	29-5701	Rear hub cup	1
46	C11G	29-6186	Rear hub chainwheel	1
47	C11G	27-6813	Rear wheel spoke nipple	40

Plate 21

REAR HUB and WHEEL FITTINGS
C12 (Swinging Arm)

Plate Ref. Number	Model	Part No.	Description	Number per set
—	C12	29-6276	Rear wheel complete with bearings (less brake and tyre)	1
1	C12	29-6230	Hub bearing distance tube	1
2	C12	29-6229	Hub bearing locating washer (offside)	1
3	C12	90-11	Rear hub bearing (offside)	1
4	C12	29-6231	Hub felt washing retaining ring (offside)	1
5	C12	29-6233	Hub bearing locking ring (offside)	1
6	C12	29-6232	Hub felt washer (offside)	1
7	C12	29-6235	Hub felt washer retaining cup (offside)	1
8	C12	24-563	Chain adjuster nut	2
9	C12	29-6312	Rear chain adjuster cap	2
10	C12	29-6313	Chain adjuster	2
11	C12	29-6311	Hub spindle nut (offside)	1
12	C12	29-6320	Hub spindle locknut (offside)	1
13	C12	29-6237	Hub distance piece (offside)	1
14	C12	29-6310	Hub spindle	1
15	C12	29-5940	Rear wheel spoke	40
16	C12	27-6813	Rear wheel spoke nipple	40
17	C12	29-5991	Rear wheel rim	1
18	C12	29-6284	Rear hub complete with bearings	1
18A	C12	29-9427	Transmission chain (rear)	1
19	C12	29-5850	Rear brake shoe complete	2
20	C12	65-5904	Rear brake shoe spring	2
21	C12	29-5853	Rear brake shoe lining rivet	14
22	C12	29-5852	Rear brake shoe lining	2
23	C12	29-5856	Rear brake cam complete	1
24	C12	29-6211	Rear hub bearing (nearside)	1

REAR HUB and WHEEL FITTINGS
C12 (Swinging Arm)



Rear Hub and Wheel Fittings

Plate 21—continued

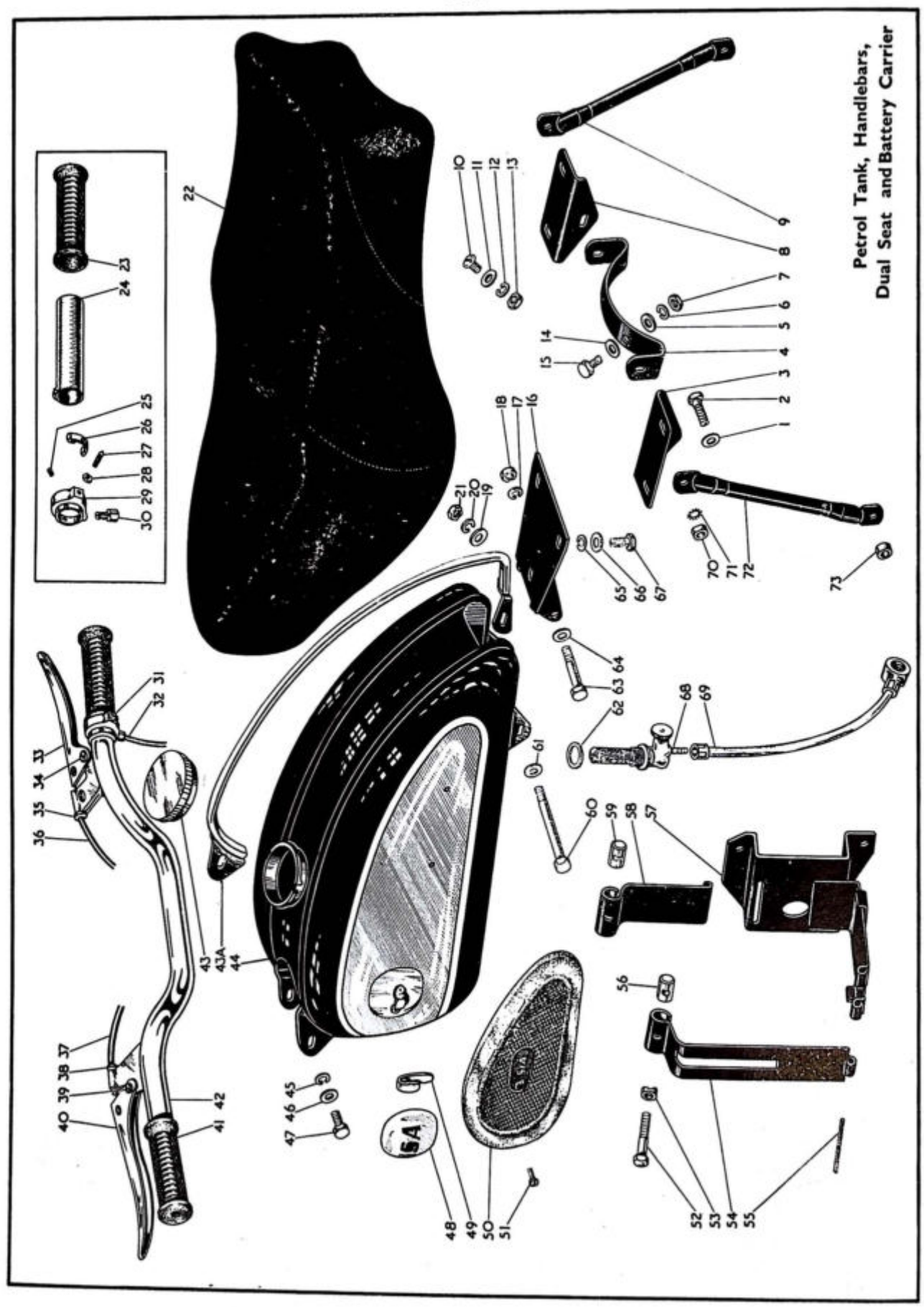
REAR HUB and WHEEL FITTINGS
C12 (Swinging Arm)

Plate Ref. Number.	Model.	Part No.	Description.	Number per set.
25 ...	C12	... 2-520	Hub bearing washer (nearside)	1
26 ...	C12	... 29-6234	Hub felt washer (nearside)	1
27 ...	C12	... 29-6235	Hub felt washer retaining cup (nearside)	1
28 ...	C12	... 29-6274	Rear brake cover plate with fixed fittings	1
29 ...	C12	... 29-6217	Hub cover plate spindle nut	1
30 ...	C12	... 27-6311	Hub spindle nut (nearside)	1
31 ...	C12	... 2-440	Rear brake operating lever nut	1
32 ...	C12	... 66-4708	Rear brake operating lever washer (spring)	1
33 ...	C12	... 15-431	Rear brake operating lever washer (plain)	1
34 ...	C12	... 65-5674	Rear brake cam oil hole clip	1
35 ...	C12	... 29-6319	Rear brake operating lever	1
36 ...	C12	... 29-6216	Hub spindle bearing locknut (nearside)	1

Plate 22 PETROL TANK, HANDLEBAR, DUAL SEAT and BATTERY CARRIER
C10L

Plate Ref. Number.	Model.	Part No.	Description.	Number per set.
1 ...	C10L	... 2-923	Dual seat stay bolt washer (plain) (1954)	2
2 ...	C10L	... 21-5454	Dual seat stay bolt (1954)	2
3 ...	C10L	... 90-9096	Dual seat rear support bracket (1954)	1
4 ...	C10L	... 90-9097	Mudguard bridge (dual seat rear bracket) (1954)	1
5 ...	C10L	... 27-8560	Mudguard bridge bolt washer (plain)	2
6 ...	C10L	... 2-1462	Mudguard bridge bolt washer (spring)	2
7 ...	C10L	... 21-5102	Mudguard bridge bolt nut	2
8 ...	C10L	... 90-9096	Dual seat rear support bracket (1954)	1
9 ...	C10L	... 29-9384	Dual seat stay complete (offside) (1954)	1
10 ...	C10L	... 21-6173	Carrier fixing hole screw	2
11 ...	C10L	... 27-8560	Carrier fixing hole screw washer (plain)	2
12 ...	C10L	... 2-1462	Carrier fixing hole screw washer (spring)	2
13 ...	C10L	... 21-5102	Carrier fixing hole screw nut	2
14 ...	C10L	... 27-8560	Mudguard bridge bolt washer (plain)	2
15 ...	C10L	... 21-5401	Mudguard bridge bolt	2
16 ...	C10L	... 29-9381	Dual seat front support bracket complete (1954)	1
17 ...	C10L	... 35-33	Dual seat front fixing bolt washer (spring) (1955)	1
18 ...	C10L	... 21-5103	Dual seat front fixing bolt nut (1955)	1
19 ...	C10L	... 2-923	Petrol tank rear fixing bolt washer (plain)	1
20 ...	C10L	... 24-8784	Petrol tank rear fixing bolt washer (spring)	1
21 ...	C10L	... 21-5103	Petrol tank rear fixing bolt nut	1
22 ...	C10L	... 29-9395	Dual seat with brackets, bolts and nuts (carrier fixing)	1
— ...	C10L	... 29-9393	Set of dual seat loose fittings (carrier fixing)	1
23 ...	C10L	... 65-8503	Twist grip rubber grip	1
24 ...	C10L	... 90-8537	Twist grip rotor	1
25 ...	C10L	... 90-8538	Twist grip body screw	3
26 ...	C10L	... 90-8539	Twist grip friction spring	1
27 ...	C10L	... 90-8540	Twist grip friction screw	1
28 ...	C10L	... 90-8541	Twist grip friction screw locknut	1
29 ...	C10L	... 90-8536	Twist grip body	1
30 ...	C10L	... 90-8542	Twist grip cable stop	1
31 ...	C10L	... 90-8533	Throttle twist grip	1
32 ...	C10L	... 29-8764	Twist grip cable and cover complete	1
33 ...	C10L	... 29-8812	Front brake control lever	1
34 ...	C10L	... 29-8813	Front brake control lever screw	1
— ...	C10L	... 29-8818	Front brake control lever screw locking washer	1
— ...	C10L	... 29-8814	Front brake control lever screw nut	1
35 ...	C10L	... 90-8506	Front brake control body ferrule	1
36 ...	C10L	... 29-8840	Front brake cable and cover complete (1954/5)	1
36 ...	C10L	... 29-8815	Front brake cable and cover complete (1956)	1
37 ...	C10L	... 29-8835	Clutch control cable and cover complete (1954/5)	1
37 ...	C10L	... 29-8844	Clutch control cable and cover complete (1956)	1
38 ...	C10L	... 90-8506	Clutch control body ferrule	1
39 ...	C10L	... 29-8813	Clutch control lever screw	1
— ...	C10L	... 29-8818	Clutch control lever screw locking washer	1
— ...	C10L	... 29-8814	Clutch control lever screw nut	1

Plate 22 PETROL TANK, HANDLEBAR, DUAL SEAT, BATTERY CARRIER
C10L



**Petrol Tank, Handlebars,
Dual Seat and Battery Carrier**

Plate 22—continued

Petrol Tank, Handlebar, Dual Seat and Battery Carrier

C10L.

Plate Ref. Number.	Model.	Part No.	Description.	Number per set.
40	C10L	29-8832	Clutch control lever	1
41	C10L	65-8502	Dummy grip (left-hand bar)	1
42	C10L	90-4976	Handlebar complete (less controls) (1954/6)	1
42	C10L	29-8540	Handlebar (less controls) (1956)	1
43	C10L	29-7898	Petrol tank filler cap	1
43A	C10L	29-8150	Petrol tank beading complete (nearside)	1
43A	C10L	29-8151	Petrol tank beading complete (offside)	1
44	C10L	29-7798/58	Petrol tank	1
45	C10L	24-8784	Petrol tank front fixing bolt washer (spring)	2
46	C10L	2-923	Petrol tank front fixing bolt washer (plain)	2
47	C10L	21-5662	Petrol tank front fixing bolt	2
48	C10L	29-7820	Petrol tank badge	2
49	C10L	89-8012	Petrol tank badge clip	2
50	C10L	65-8206	Petrol tank knee grip complete (left-hand)	1
—	C10L	65-8205	Petrol tank knee grip complete (right-hand)	1
51	C10L	2-79	Petrol tank knee grip plate screw	4
—	C10L	29-4678	Battery carrier complete with fittings (1954/5)	1
—	C10L	29-4695	Battery carrier complete (1956)	1
52	C10L	29-4661	Battery carrier strap bolt	1
53	C10L	29-4662	Battery carrier strap bolt saddle washer	1
54	C10L	29-4685	Battery carrier strap	1
55	C10L	29-4664	Battery carrier strap hinge pin	1
56	C10L	65-2352	Battery carrier swivel block (plain)	1
57	C10L	29-4679	Battery carrier back with fixed fittings (1954/5)	1
57	C10L	29-4696	Battery carrier back with fixed fittings (1956)	1
58	C10L	29-4681	Battery carrier swivel block anchor strap (1954/5)	1
58	C10L	29-4698	Battery carrier swivel back anchor strap (1956)	1
59	C10L	65-2353	Battery carrier swivel block (tapped)	1
—	C10L	21-5668	Battery carrier securing bolt (1956)	3
—	C10L	24-8784	Battery carrier securing bolt washer (spring) (1956)	3
—	C10L	66-8348	Battery carrier distance piece (1956)	3
60	C10L	21-5466	Petrol tank rear fixing bolt (1954/5)	1
60	C10L	21-5676	Petrol tank rear fixing bolt (1956)	1
61	C10L	2-923	Petrol tank rear fixing bolt washer (plain)	1
62	C10L	24-8504	Petrol tap washer (fibre)	1
63	C10L	21-5461	Dual seat front fixing bolt (1955)	1
63	C10L	21-5671	Dual seat front fixing bolt (1956)	1
64	C10L	2-923	Dual seat front fixing bolt washer (plain)	1
65	C10L	35-33	Dual seat fixing bolt washer (spring)	7
66	C10L	2-923	Dual seat fixing bolt washer (plain) (1954)	7
67	C10L	2-129	Dual seat fixing bolt (1954)	7
68	C10L	29-7765	Petrol tap with pipe complete	1
69	C10L	*29-7805	Petrol pipe (plastic) (1954)	1
70	C10L	21-5103	Dual seat stay bolt nut (1954)	2
71	C10L	36-382	Dual seat stay bolt washer (shakeproof) (1954)	2
72	C10L	29-9386	Dual seat stay complete (nearside) (1954)	1
73	C10L	66-8347	Dual seat nearside stay distance piece (1954)	2

* Supplied only as petrol tap with pipe complete 29-7765

Plate 23 MUDGUARDS, OIL TANK, TOOLBOX, CHAINGUARD and SILENCER

C10L

Plate Ref. Number.	Model.	Part No.	Description.	Number per set.
1	C10L	21-5453	Rear chainguard securing bolt (1954/5)	1
1	C10L	21-5663	Rear chainguard bolt (1956)	1
2	C10L	2-923	Rear chainguard securing bolt washer (plain)	1
3	C10L	24-8784	Rear chainguard securing bolt washer (spring)	1
4	C10L	29-8335	Rear chainguard	1
5	C10L	65-8422	Oil return pipe connection ferrule	1
6	C10L	66-8332	Oil return pipe nut	1
7	C10L	29-8141	Oil tank and crankcase return pipe complete	1
8	C10L	29-8141	Oil tank and crankcase feed pipe complete	1

Plate 23—continued Mudguards, Oil Tank, Toolbox, Chainguard and Silencer

C10L

Plate Ref. Number.	Model.	Part No.	Description.	Number per set.
9	C10L	66-8332	Oil feed pipe nut	2
10	C10L	65-8422	Oil feed pipe connection ferrule	1
11	C10L	65-2060	Oil feed pipe connection (rubber)	1
12	C10L	65-8422	Oil feed pipe connection ferrule	1
13	C10L	65-2060	Oil return pipe connection (rubber)	1
14	C10L	65-8422	Oil return pipe connection ferrule	1
15	C10L	66-8332	Oil return pipe nut	2
16	C10L	29-8137	Oil return pipe complete (1954/5)	1
17	C10L	29-8139	Oil tank feed pipe complete (1954/5)	1
17	C10L	29-8348	Oil feed and return pipe complete (1956)	1
18	C10L	29-7971	Oil feed pipe banjo union washer (fibre) (1954/5)	2
19	C10L	29-7962	Oil tank filter complete (1954/5)	1
19	C10L	42-8334	Oil tank filter assembly (1956)	1
—	C10L	42-8343	Oil tank filter plug washer (fibre) (1956)	1
20	C10L	29-7971	Oil feed pipe banjo union washer (fibre) (1954/5)	1
21	C10L	21-5401	Front mudguard to stay bolt (1954/5)	1
22	C10L	27-8560	Front mudguard to stay bolt washer (plain) (1954/5)	2
23	C10L	90-6531	Front mudguard stay (rear) (1954/5)	2
24	C10L	90-6528	Front mudguard loop stay complete (1954/5)	2
25	C10L	21-5102	Loop stay to fork bolt nut (1954/5)	1
26	C10L	2-1462	Loop stay to fork bolt washer (spring) (1954/5)	4
27	C10L	27-8560	Loop stay to fork bolt washer (plain) (1954/5)	4
28	C10L	21-5403	Loop stay to fork bolt (1954/5)	4
28	C10L	15-7354	Front mudguard stays to fork end bolt (1956)	4
—	C10L	2-1616	Front mudguard stays to fork end bolt nut (1956)	4
—	C10L	2-923	Front mudguard stays to fork end washer (plain) (1956)	4
—	C10L	24-8784	Front mudguard stays to fork end washer (spring) (1956)	5
29	C10L	27-8560	Front mudguard stay fixing bolt washer (plain)	4
30	C10L	21-5401	Front mudguard stay bottom fixing bolt (1954/5)	2
31	C10L	29-541	Front mudguard stay bottom fixing bolt washer (shakeproof) (1954/5)	2
32	C10L	21-5102	Front mudguard stay bottom fixing bolt nut (1954/5)	2
—	C10L	29-6574	Front mudguard support bridge (1956)	1
—	C10L	21-5611	Front mudguard to support bridge bolt (1956)	2
—	C10L	21-5202	Front mudguard to support bridge bolt nut (1956)	2
—	C10L	27-8560	Front mudguard to support bridge bolt washer (plain) (1956)	4
—	C10L	2-1462	Front mudguard to support bridge bolt washer (spring) (1956)	2
33	C10L	27-8560	Mudguard to loop stay fixing bolt washer (plain) (1954/5)	2
34	C10L	21-5401	Mudguard to loop stay fixing bolt (1954/5)	2
35	C10L	2-2395	Front number plate stud nut	2
—	C10L	27-8560	Front number plate fixing stud washer (plain)	2
36	C10L	2-1462	Front number plate stud washer (spring)	2
37	C10L	27-8560	Mudguard to stay fixing bolt washer (plain)	2
38	C10L	21-5401	Mudguard to stay fixing bolt (1954/5)	2
38	C10L	21-5611	Mudguard to stay fixing bolt (1956)	4
—	C10L	2-1462	Mudguard to stay fixing bolt washer (spring) (1956)	4
39	C10L	90-6530	Front mudguard stay (front) (1954/5)	2
—	C10L	29-6573	Front mudguard stay (1956)	4
40	C10L	90-6527	Front mudguard	1
41	C10L	65-6576	Front number plate complete	1
42	C10L	27-8560	Front mudguard to stay fixing bolt washer (plain)	2
43	C10L	29-541	Front mudguard to stay fixing bolt washer (shakeproof) (1954/5)	2
44	C10L	21-5202	Front mudguard to stay fixing bolt nut	2
45	C10L	21-5202	Loop stay to mudguard fixing bolt nut (1954/5)	2
—	C10L	28-2338	Front mudguard to fork bolt (1956)	4
—	C10L	2-49	Front mudguard to fork bolt nut (1956)	4
—	C10L	24-8784	Front mudguard to fork bolt washer (spring)	4
46	C10L	29-541	Loop stay to mudguard fixing bolt washer (shakeproof) (1954/5)	2
47	C10L	27-8560	Loop stay to mudguard fixing bolt washer (plain) (1954/5)	2
48	C10L	27-8560	Front mudguard to stay bolt washer (plain)	2
49	C10L	29-541	Front mudguard to stay bolt washer (shakeproof) (1954/5)	2
50	C10L	21-5202	Front mudguard to stay bolt nut	2
51	C10L	21-5103	Rear mudguard fixing stud nut	2
52	C10L	36-382	Rear mudguard fixing stud washer (shakeproof)	2
53	C10L	90-6793	Rear mudguard fixing stud	1
54	C10L	2-84	Oil tank drain plug	1
55	C10L	2-100	Oil tank drain plug washer (fibre)	1
56	C10L	29-8129	Oil tank with fixed fittings (1954/5)	1
56	C10L	29-8341	Oil tank with fixed fittings (1956)	1
57	C10L	67-42	Oil tank filler cap washer (fibre)	1
58	C10L	65-8500	Oil tank filler cap	1

Plate 23 MUDGUARDS, OIL TANK, TOOLBOX, CHAINGUARD, SILENCER
C10L

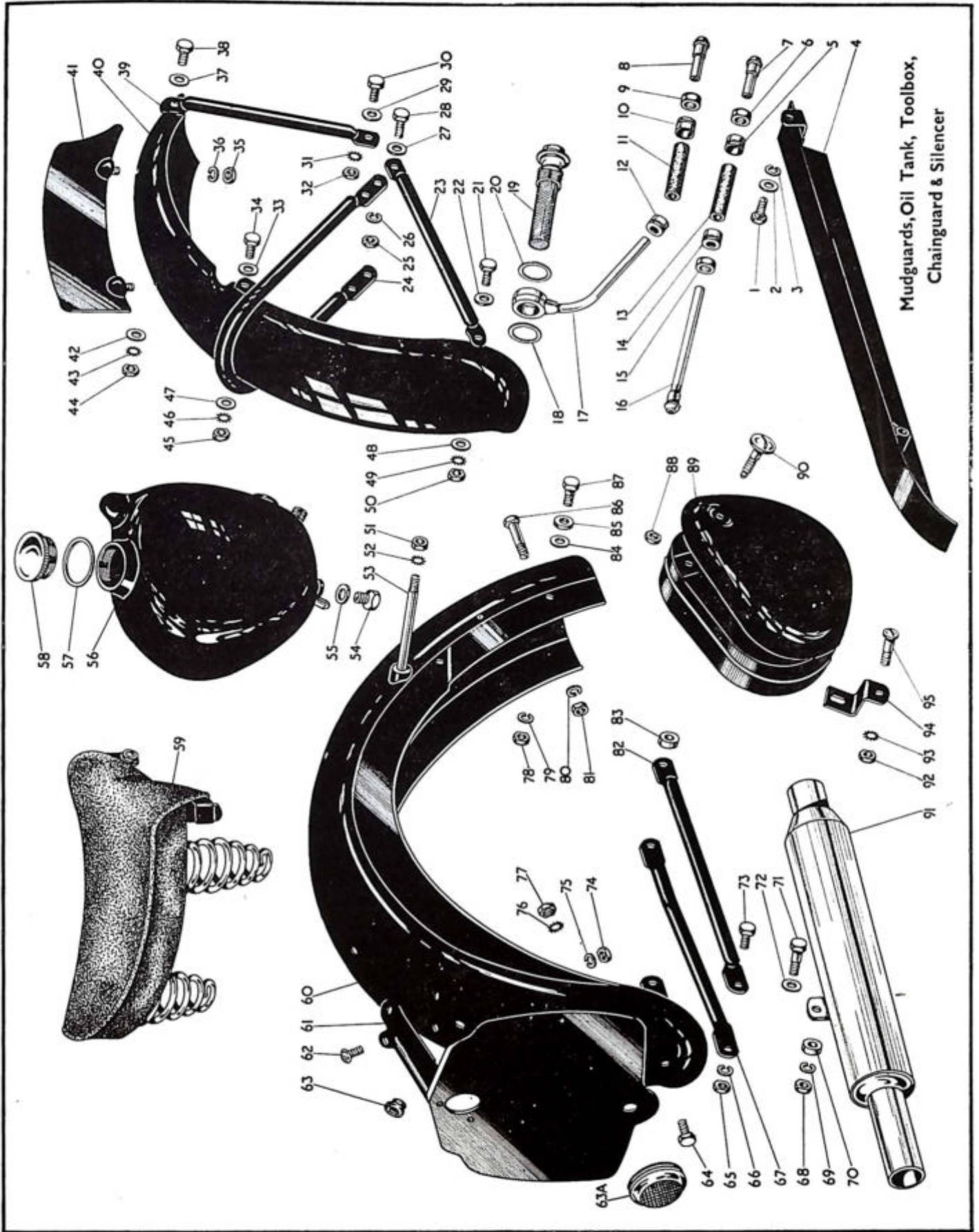


Plate 23—continued Mudguards, Oil Tank, Toolbox, Chainguard and Silencer
C10L

Plate Ref. Number	Model	Part No.	Description	Number per set.
59	...	C10L ... 29-9312	Saddle	1
60	...	C10L ... 29-6830	Rear mudguard with fixed fittings (1955/6)	1
60	...	C10L ... 29-6812	Rear mudguard with fixed fittings (1954)	1
60	...	C10L ... 29-6812	Rear mudguard with fixed fittings (when dual seat is fitted)	1
61	...	C10L ... 90-6839	Rear number plate (1955/6)	1
61	...	C10L ... 90-6794	Rear number plate (1954)	1
62	...	C10L ... 21-6173	Rear number plate fixing screw (tap)	2
63	...	C10L ... 67-6839	Rear mudguard wiring grommet	2
63A	...	C10L ... 67-9069	Reflector (1955/6)	1
63A	...	C10L ... 67-9067	Reflector (1954)	1
64	...	C10L ... 21-5401	Rear number plate bottom fixing bolt (1954/5)	1
64	...	C10L ... 21-5611	Rear number plate bottom fixing bolt (1956)	1
65	...	C10L ... 21-5102	Rear mudguard stay rear fixing bolt nut	2
66	...	C10L ... 2-1462	Rear mudguard stay rear fixing bolt washer (spring)	2
67	...	C10L ... 90-6783	Rear mudguard bottom stay (nearside)	1
68	...	C10L ... 24-563	Silencer support bolt nut (1954/5)	1
68	...	C10L ... 21-5103	Silencer support bolt nut (1956)	1
69	...	C10L ... 24-8784	Silencer support bolt washer (spring)	1
70	...	C10L ... 66-8348	Silencer support bolt distance piece (1954/5)	1
71	...	C10L ... 15-518	Silencer support bolt (1954/5)	1
71	...	C10L ... 21-5668	Silencer support bolt (1956)	1
72	...	C10L ... 2-923	Silencer support bolt washer (plain)	1
73	...	C10L ... 21-5401	Rear mudguard stay fixing bolt (rear) (1954/5)	2
73	...	C10L ... 21-5611	Rear mudguard stay fixing bolt (rear) (1956)	2
74	...	C10L ... 21-5102	Rear number plate top fixing screw nut	2
75	...	C10L ... 2-1462	Rear number plate top fixing washer (spring)	2
76	...	C10L ... 29-541	Reflector stud washer	1
77	...	C10L ... 21-5102	Reflector stud nut	1
78	...	C10L ... 21-5102	Toolbox fixing bolt nut (1954/5)	3
78	...	C10L ... 21-5102	Toolbox securing screw nut (1956)	2
79	...	C10L ... 2-1462	Toolbox fixing bolt washer (spring) (1954/5)	2
79	...	C10L ... 2-1462	Toolbox securing screw washer (1956)	2
80	...	C10L ... 2-923	Rear mudguard front fixing bolt washer (spring)	1
81	...	C10L ... 21-5102	Rear mudguard front fixing bolt nut	1
82	...	C10L ... 90-6784	Rear mudguard bottom stay (offside)	1
83	...	C10L ... 66-8347	Rear mudguard stay distance piece	2
84	...	C10L ... 27-8560	Toolbox fixing bolt washer (plain) (1954/5)	3
84	...	C10L ... 27-8560	Toolbox fixing bolt washer (plain) (1956)	2
85	...	C10L ... 2-370	Toolbox fixing bolt spacing washer	2
86	...	C10L ... 21-5409	Rear mudguard front fixing bolt (1954/5)	1
86	...	C10L ... 21-5619	Rear mudguard front fixing bolt (1956)	1
87	...	C10L ... 21-5612	Toolbox fixing bolt (1954/5)	3
87	...	C10L ... 21-5612	Toolbox securing screw (1956)	2
88	...	C10L ... 2-1027	Toolbox lid fixing screw nut (1954/5)	1
89	...	C10L ... 29-9164	Toolbox complete (1954/5)	1
89	...	C10L ... 29-9175	Toolbox complete (1956)	1
90	...	C10L ... 29-9132	Toolbox lid fixing screw complete (1954/5)	1
91	...	C10L ... 29-1925	Silencer complete (1954/5)	1
91	...	C10L ... 29-3010	Silencer complete (1956)	1
92	...	C10L ... 2-49	Toolbox bracket fixing bolt nut (not required when pillion footrest fitted) (1954/5).	1
93	...	C10L ... 36-382	Toolbox bracket fixing bolt washer (shakeproof) (not required when pillion footrest fitted) (1954/5).	1
94	...	C10L ... 29-9166	Toolbox bracket (1954/5)	1
95	...	C10L ... 2-2980	Toolbox bracket fixing screw (1954/5)	1
—	...	C10L ... 21-5668	Toolbox bracket fixing bolt (1956)	1
—	...	C10L ... 21-5103	Toolbox bracket fixing bolt nut (1956)	1
—	...	C10L ... 24-8784	Toolbox bracket fixing bolt washer (spring) (1956)	1
—	...	C10L ... 2-923	Toolbox bracket fixing bolt washer (plain) (1956)	1

Plate 24 MUDGUARDS, OIL TANK, TOOLBOX, CHAINGUARD and SILENCER C11G (Rigid and Spring)

Plate Ref. Number	Model	Part No.	Description	Number per set.
1	... C11G Rigid	29-8325	Rear chainguard complete	1
2	...C11G Rigid and Spring...	2-129	Rear chainguard strap bolt (top)	1
3	...C11G Rigid and Spring...	36-382	Rear chainguard strap bolt washer (shakeproof)	1
4	...C11G Rigid and Spring...	2-49	Rear chainguard strap bolt nut	1
5	...C11G Rigid and Spring...	66-8332	Oil feed pipe union nut	1
6	...C11G Rigid and Spring...	29-7990	Oil feed pipe complete (crankcase)	1
7	...C11G Rigid and Spring...	66-8332	Oil return pipe union nut	1
8	...C11G Rigid and Spring...	29-7996	Oil return pipe complete (crankcase)	1
9	...C11G Rigid and Spring...	65-8422	Oil return pipe connection ferrule	1
10	...C11G Rigid and Spring...	65-2060	Oil return pipe connection (rubber)	1
11	...C11G Rigid and Spring...	65-8422	Oil return pipe connection ferrule	1
12	...C11G Rigid and Spring...	66-8332	Oil return pipe union nut	1
13	...C11G Rigid and Spring...	29-7998	Oil return pipe complete (oil tank)	1
14	...C11G Rigid and Spring...	29-6565	Front mudguard bottom stay	1
15	...C11G Rigid and Spring...	15-7354	Front mudguard stay centre fixing bolt	4
16	...C11G Rigid and Spring...	24-8784	Front mudguard stay centre fixing bolt washer (spring)	4
17	...C11G Rigid and Spring...	2-1616	Front mudguard stay centre fixing bolt nut	4
18	...C11G Rigid and Spring...	2-2395	Front mudguard support bridge fixing bolt nut	2
19	...C11G Rigid and Spring...	2-1462	Front mudguard support bridge fixing bolt washer (spring)	2
20	...C11G Rigid and Spring...	66-7518	Front mudguard support bridge fixing bolt washer (fibre)	2
21	...C11G Rigid and Spring...	2-49	Front mudguard support bridge fork fixing bolt nut	4
22	...C11G Rigid and Spring...	36-382	Front mudguard support bridge fork fixing bolt washer (shakeproof)	4
23	...C11G Rigid and Spring...	29-6554	Front mudguard support bridge	1
24	...C11G Rigid and Spring...	2-1462	Front number plate stud washer (spring)	2
25	...C11G Rigid and Spring...	2-2395	Front number plate stud nut	2
26	...C11G Rigid and Spring...	28-2338	Front mudguard support bridge fork fixing bolt	4
27	...C11G Rigid and Spring...	2-1462	Front mudguard top and bottom stay fixing screw washer (spring)	4
28	...C11G Rigid and Spring...	2-2395	Front mudguard top and bottom stay fixing screw nut	4
29	...C11G Rigid and Spring...	29-6565	Front mudguard top stay	1
30	...C11G Rigid and Spring...	27-8560	Front mudguard top and bottom stay fixing screw washer (plain)	4
31	...C11G Rigid and Spring...	15-7161	Front mudguard top and bottom stay fixing screw	4
32	...C11G Rigid and Spring...	65-6576	Front number plate complete	1
33	...C11G Rigid and Spring...	29-6564	Front mudguard complete with fixed fittings	1
33	... C11G Spring	29-6570	Front mudguard with fixed fittings (1955)	1
34	...C11G Rigid and Spring...	15-7161	Front mudguard support bridge fixing bolt	2
35	...C11G Rigid and Spring...	27-8560	Front mudguard support bridge fixing bolt washer (plain)	2
36	...C11G Rigid and Spring...	65-8500	Oil tank filler cap	1
37	...C11G Rigid and Spring...	67-42	Oil tank filler cap washer (fibre)	1
38	...C11G Rigid and Spring...	29-7981	Oil tank complete with fixed fittings	1
39	... C11G Rigid	2-1354	Toolbox and mudguard fixing bolt (front)	2
40	... C11G Rigid	2-370	Toolbox and mudguard fixing bolt spacing washer	2
41	... C11G Rigid	15-7161	Rear mudguard front stay fixing screw (used only when pillion seat is fitted)	2
42	... C11G Rigid	29-6815	Rear mudguard complete with fixed fittings	1
43	... C11G Rigid	2-1462	Rear mudguard front stay fixing screw washer (spring) (used only when pillion seat is fitted)	2
44	... C11G Rigid	2-2395	Rear mudguard front stay fixing screw nut (used only when pillion seat is fitted)	2
45	...C11G Rigid and Spring...	29-9314	Saddle	1
46	...C11G Rigid and Spring...	67-6851	Rear number plate rubber extrusion	1
47	...C11G Rigid and Spring...	67-6830	Rear number plate complete (with small hole for reflector)	1
—	... C11G Spring	67-9067	Reflector (1954)	1
—	... C11G Spring	67-9069	Reflector (1955)	1
—	... C11G Spring	21-5102	Rear reflector nut (1955)	1
—	... C11G Spring	29-541	Rear reflector nut washer (1955)	1
48	... C11G Rigid	29-6897	Rear mudguard lifting handle and stay complete	1
49	... C11G Rigid	2-2395	Rear mudguard lifting handle and stay top bolt nut	2
50	... C11G Rigid	2-1462	Rear mudguard lifting handle and stay top bolt washer (spring)	2
51	... C11G Rigid	27-8560	Rear mudguard lifting handle and stay top bolt washer (plain)	2
52	... C11G Rigid	2-204	Rear mudguard bottom stay bolt	2
53	... C11G Rigid	29-6871	Rear mudguard bottom stay (right-hand)	1
54	... C11G Rigid	15-447	Rear mudguard bottom stay bolt nut	2
55	... C11G Rigid	2-803	Silencer and toolbox bracket fixing bolt	1
56	... C11G Rigid	2-46	Silencer and toolbox bracket fixing bolt nut	1
57	... C11G Rigid	15-7161	Toolbox and chainstay bracket bolt (rear)	1
58	... C11G Rigid	29-9140	Toolbox fixing bracket	1
59	... C11G Rigid	2-525	Toolbox and chainstay bracket bolt washer (plain)	1
60	... C11G Rigid	29-541	Toolbox and chainstay bracket bolt washer (shakeproof)	1
61	... C11G Rigid	2-2395	Toolbox and chainstay bracket bolt nut	1
62	...C11G Rigid and Spring...	29-541	Rear number plate fixing bolt washer (shakeproof)	4
—	... C11G Spring	2-1462	Rear number plate fixing bolt washer (1955)	4

Plate 24 MUDGUARDS, OIL TANK, TOOLBOX, CHAINGUARD, SILENCER
C11G (Rigid and Spring)

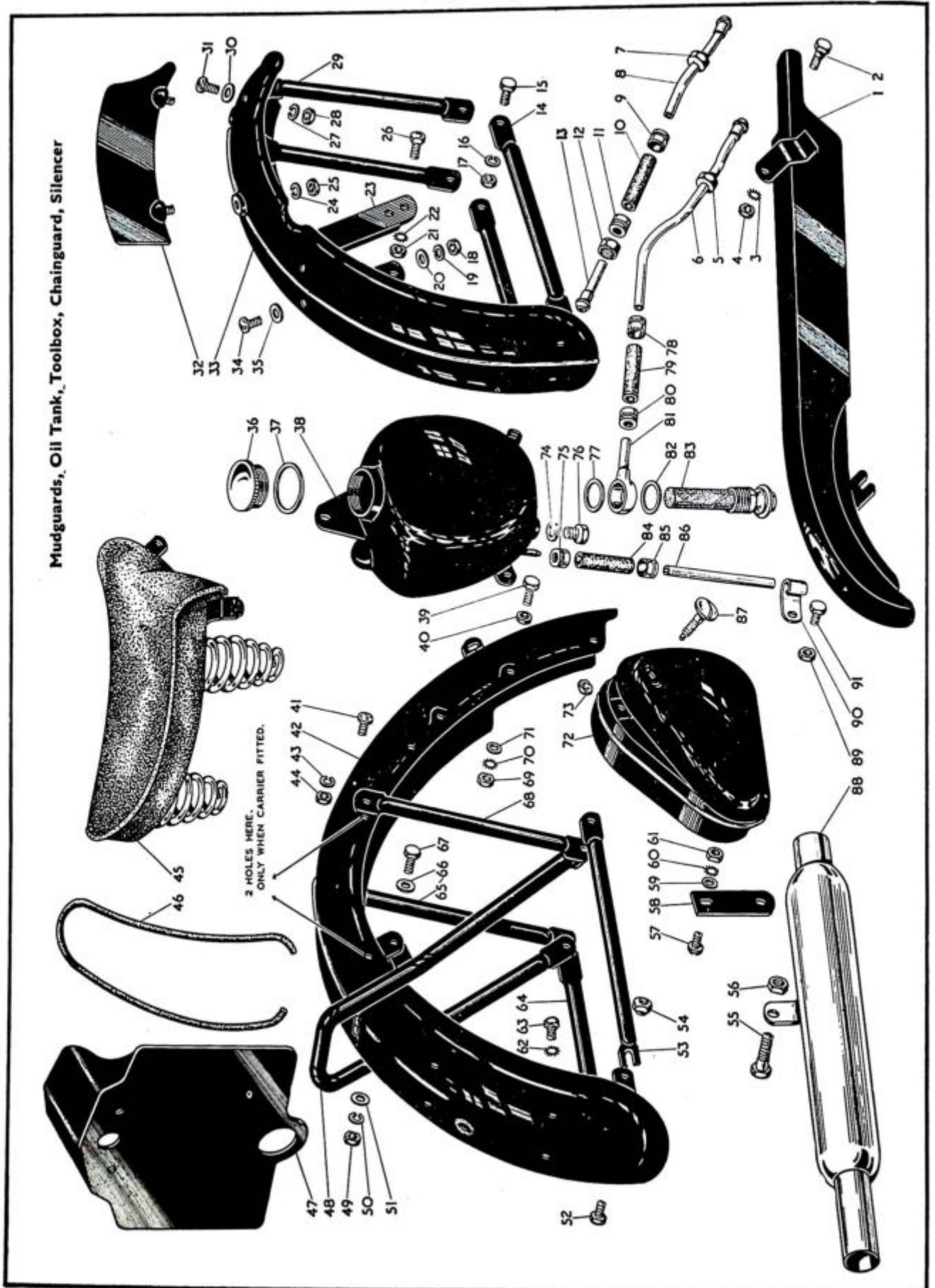


Plate 24—continued

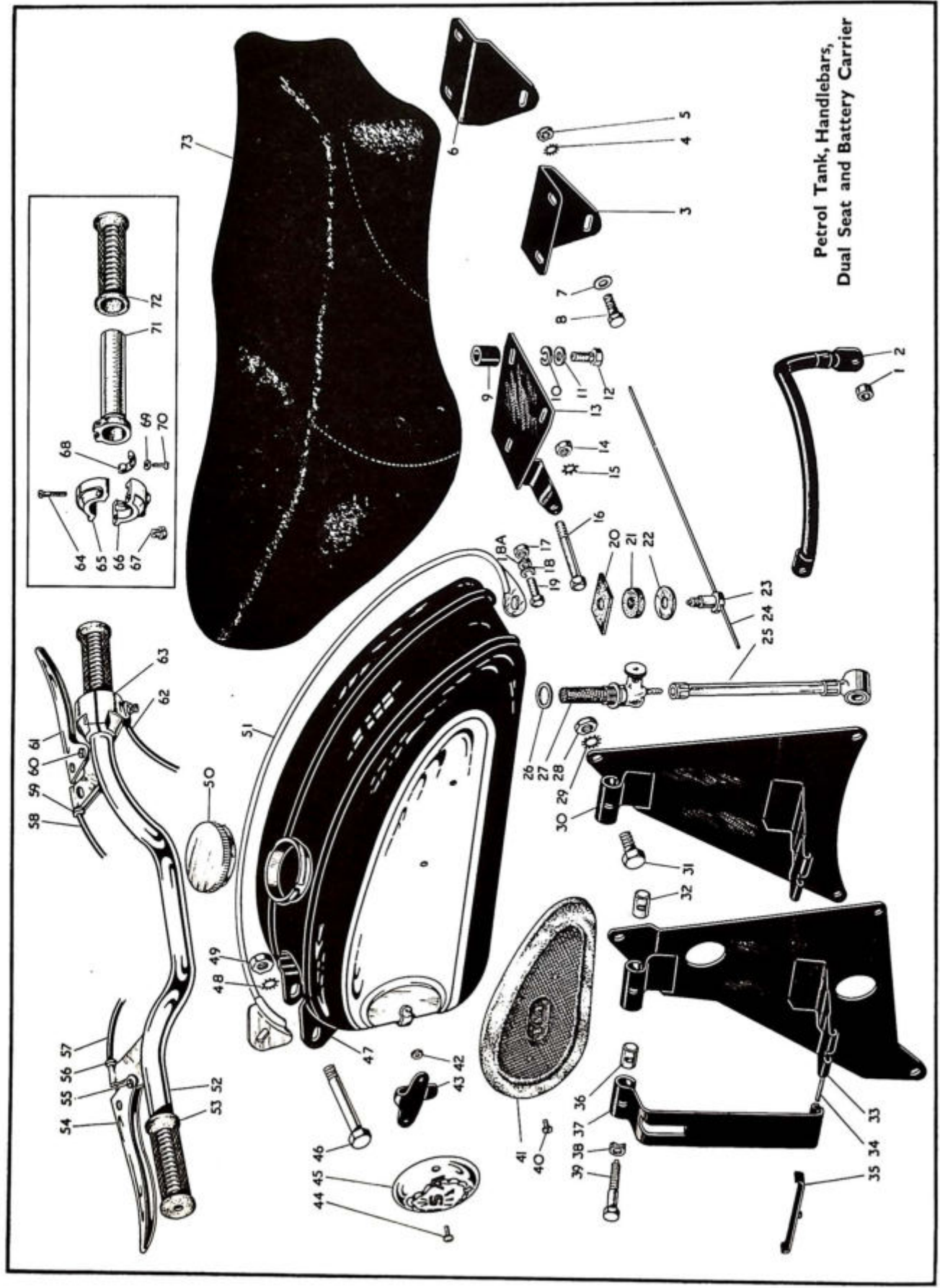
Mudguards, Oil Tank, Toolbox, Chainguard, and Silencer
C11G (Rigid and Spring)

Plate Ref. Number.	Model	Part No	Description	Number per set.
63	...C11G Rigid and Spring...	2-220	Rear number plate fixing bolt	4
—	... C11G Spring	27-8560	Rear number plate fixing bolt washer (plain) (1955)	4
64	... C11G Rigid	29-6882	Rear mudguard bottom stay (left-hand)	1
65	... C11G Rigid	29-6883	Rear mudguard front stay (left-hand) (used only when pillion seat is fitted)	1
66	... C11G Rigid	27-8560	Rear mudguard lifting handle and stay top bolt washer (plain)	2
67	... C11G Rigid	2-1354	Rear mudguard lifting handle and stay top bolt...	2
68	... C11G Rigid	29-6875	Rear mudguard front stay (right-hand) (used only when pillion seat is fitted)	1
69	... C11G Rigid	2-2395	Toolbox and mudguard fixing bolt nut	2
70	... C11G Rigid	29-541	Toolbox and mudguard fixing bolt washer (shakeproof)	2
71	... C11G Rigid	2-525	Toolbox and mudguard fixing bolt washer (plain)	2
72	...C11G Rigid and Spring...	29-9161	Toolbox complete	1
73	...C11G Rigid and Spring...	2-1027	Toolbox lid fixing screw nut	1
74	...C11G Rigid and Spring...	2-100	Oil tank drain plug washer	1
75	...C11G Rigid and Spring...	65-8422	Oil tank breather pipe connection ferrule...	1
76	...C11G Rigid and Spring...	2-84	Oil tank drain plug	1
77	...C11G Rigid and Spring...	29-7971	Oil tank feed pipe banjo union washer	1
78	...C11G Rigid and Spring...	65-8422	Oil tank feed pipe connection ferrule	1
79	...C11G Rigid and Spring...	65-2060	Oil tank feed pipe connection (rubber)	1
80	...C11G Rigid and Spring...	65-8422	Oil tank feed pipe connection ferrule	1
81	...C11G Rigid and Spring...	29-7994	Oil tank feed pipe complete (oil tank)	1
82	...C11G Rigid and Spring...	29-7971	Oil tank feed pipe banjo union washer	1
83	...C11G Rigid and Spring...	29-7962	Oil tank filter complete	1
84	...C11G Rigid and Spring...	65-2060	Oil tank breather pipe connection	1
85	...C11G Rigid and Spring...	65-8422	Oil tank breather pipe connection ferrule	1
86	...C11G Rigid and Spring...	29-7949	Oil tank breather pipe extension	1
87	...C11G Rigid and Spring...	29-9132	Toolbox lid fixing screw complete	1
88	... C11G Rigid	29-2975	Silencer complete	1
89	...C11G Rigid and Spring...	2-2395	Oil tank breather pipe clip bolt nut	1
90	...C11G Rigid and Spring...	66-8340	Oil tank breather pipe clip	1
91	...C11G Rigid and Spring...	2-204	Oil tank breather pipe clip bolt	1

Plate 25 PETROL TANK, HANDLEBAR, BATTERY CARRIER and DUAL SEAT
C11G, C12

Plate Ref. Number.	Model.	Part No.	Description.	Number per set.
1	... C11G	15-7563	Lifting handle distance piece	1
2	... C11G	29-6911	Lifting handle complete	1
3	... C11G	29-9374	Dual seat support bracket (nearside) (1954/5)	1
4	... C11G	36-382	Dual seat rear support stay fixing bolt washer (shakeproof) (1954/5)	2
5	... C11G	2-49	Dual seat rear support stay fixing bolt nut (1954/5)	2
6	... C11G	29-9373	Dual seat rear support bracket (offside) (1954/5)	1
7	... C11G	2-923	Dual seat rear support bracket fixing bolt washer (plain)	2
8	... C11G	2-1934	Dual seat rear support stay fixing bolt (1954/5)	2
9	... C11G	29-9388	Dual seat front fixing distance piece (1954/5)	3
10	... C11G	35-33	Dual seat base fixing bolt washer (spring) (1954/5)	7
11	... C11G	2-923	Dual seat base fixing bolt washer (plain) (1954/5)	7
12	... C11G	2-129	Dual seat base fixing bolt (rear) (1954/5)	4
12	... C12	42-9061	Dual seat rear support bolt (1956)	2
13	... C11G	29-9361	Dual seat front support bracket complete (1954/5)	1
13	... C12	29-9405	Dual seat front support bracket (1956)	1
14	... C11G	2-49	Dual seat front fixing bolt nut (1954/5)	1
15	... C11G	36-382	Dual seat front fixing bolt washer (shakeproof) (1954/5)	1
16	... C11G	33-4089	Dual seat front fixing bolt (1954/5)...	1
16	... C12	28-2338	Dual seat front support bolt (1956)	2
16	... C11G	15-1355	Dual seat front fixing bolt (1955)	3
17	... C11G, C12	2-2395	Petrol tank beading fixing bolt nut (rear)	2
18	... C11G, C12	2-1462	Petrol tank beading fixing bolt washer (spring)	2
18A	... C11G, C12	27-8560	Petrol tank beading fixing bolt washer (plain)	2
19	... C11G, C12	2-204	Petrol tank beading fixing bolt (rear)	2
—	... C12	29-9429	Twin seat handrail complete (1956)	1
—	... C12	24-6770	Handrail mudguard bolt (1956)	4
—	... C12	2-49	Handrail mudguard bolt nut (1956)	4
—	... C12	2-923	Handrail mudguard bolt washer (plain)	8
—	... C12	36-382	Handrail mudguard bolt washer (shakeproof)	4

Plate 25 PETROL TANK, HANDLEBAR, BATTERY CARRIER and DUAL SEAT
C11G, C12



Petrol Tank, Handlebars,
Dual Seat and Battery Carrier

Petrol Tank, Handlebar, Battery Carrier and Dual Seat
C11G, C12

Plate Ref. Number	Model	Part No.	Description	Number per set.
20	C11G, C12	29-7817	Petrol tank rear fixing bolt support rubber (top)	2
21	C11G, C12	65-8033	Petrol tank rear fixing bolt support rubber (bottom)	2
22	C11G, C12	30-660	Petrol tank rear fixing bolt washer	2
23	C11G, C12	65-8034	Petrol tank rear fixing bolt	2
24	C11G, C12	65-8038	Petrol tank rear fixing bolt wire	1
25	C11G, C12	29-7764	Petrol pipe complete with tap	1
26	C11G, C12	24-8504	Petrol tap washer (fibre)	1
28	C11G	2-46	Battery carrier front fixing bolt nut	1
29	C11G	66-4707	Battery carrier front fixing bolt washer (shakeproof) (4-speed gearbox)	1
—	C11G	29-4675	Battery carrier complete (3-speed gearbox)	1
—	C11G	29-4670	Battery carrier complete (4-speed gearbox)	1
30	C11G	29-4671	Battery bracket complete (4-speed gearbox)	1
31	C11G	65-5663	Battery carrier front fixing bolt (4-speed gearbox)	1
32	C11G	65-2353	Battery carrier swivel block (tapped)	1
33	C11G	29-4676	Battery bracket complete (3-speed gearbox)	1
34	C11G	29-4664	Battery carrier strap hinge pin	1
35	C11G	29-4665	Battery locating strip complete	1
36	C11G	65-2352	Battery carrier swivel block (plain)	1
37	C11G	29-4657	Battery carrier strap	1
38	C11G	29-4662	Battery carrier strap bolt saddle washer	1
39	C11G	29-4661	Battery carrier strap bolt	4
40	C11G, C12	2-79	Petrol tank knee grip plate screw	4
41	C11G, C12	65-8206	Petrol tank knee grip complete (left-hand)	1
41	C11G, C12	65-8205	Petrol tank knee grip (right-hand)	1
42	C11G, C12	42-8034	Petrol tank badge clip screw nut	4
43	C11G, C12	42-8020	Petrol tank badge clip	2
44	C11G, C12	65-8317	Petrol tank badge clip screw	4
45	C11G, C12	65-8220	Petrol tank badge	1
46	C11G, C12	67-8076	Petrol tank front support bolt	1
47	C11G	29-7802/36	Petrol tank	1
47	C12	29-7802/72	Petrol tank	1
48	C11G, C12	66-4707	Petrol tank front support bolt washer (shakeproof)	1
49	C11G, C12	2-46	Petrol tank front support bolt nut	1
50	C11G, C12	29-7898	Petrol tank filler cap	1
51	C11G, C12	29-8157	Petrol tank beading (offside)	1
51	C11G, C12	29-8158	Petrol tank beading (nearside)	1
52	C11G	90-4976	Handlebar complete less controls	1
53	C11G, C12	65-8502	Dummy grip (left-hand bar)	1
54	C11G, C12	29-8832	Clutch control lever	1
—	C11G, C12	29-8814	Clutch control fixing screw nut	1
—	C11G, C12	29-8818	Clutch control fixing screw washer	1
55	C11G, C12	29-8813	Clutch control lever fixing screw	1
56	C11G, C12	90-8506	Clutch control body ferrule	1
57	C11G	29-8827	Clutch control cable and cover complete (3-speed gearbox)	1
57	C11G	67-8681	Clutch control cable and cover complete (4-speed gearbox)	1
57	C12	29-8852	Clutch control cable and cover complete	1
—	C11G, C12	29-8818	Front brake lever fixing screw washer	1
—	C11G, C12	29-8814	Front brake lever fixing screw nut	1
58	C11G, C12	29-8815	Front brake cable and cover complete	1
59	C11G, C12	90-8506	Front brake control body ferrule	1
60	C11G, C12	29-8813	Front brake control lever fixing screw	1
61	C11G, C12	29-8812	Front brake control lever	1
62	C11G, C12	29-8760	Throttle twist grip cable and cover complete	1
63	C11G, C12	65-8501	Trottle twist grip	2
64	C11G, C12	24-9573	Twist grip body screw	1
65	C11G, C12	65-8505	Twist grip body (top half)	1
66	C11G, C12	65-8506	Twist grip body (bottom half)	1
67	C11G, C12	24-9572	Twist grip cable stop	1
68	C11G, C12	24-9569	Twist grip friction spring	1
69	C11G, C12	24-9571	Twist grip friction screw locknut	1
70	C11G, C12	24-9570	Twist grip friction screw	1
71	C11G, C12	65-8504	Twist grip and rotor and rotor sleeve complete	1
72	C11G, C12	65-8503	Twist grip rubber grip	1
73	C11G Rigid	29-9397	Dual seat complete with fittings (1954/5)	1
73	C11G Spring	29-9390	Dual seat complete with fittings (1954/5)	1
73	C12	29-9435	Dual seat complete with fittings (1956)	1
—	C12	29-9436	Set of dual seat loose fittings only (1956)	1
—	C11G Rigid	29-9368	Dual seat rear support stay (nearside) (1954)	1
—	C11G Rigid	29-9367	Dual seat rear support stay (offside) (1954)	1
—	C11G Rigid	2-1462	Dual seat rear support fixing bolt washer (1954)	2

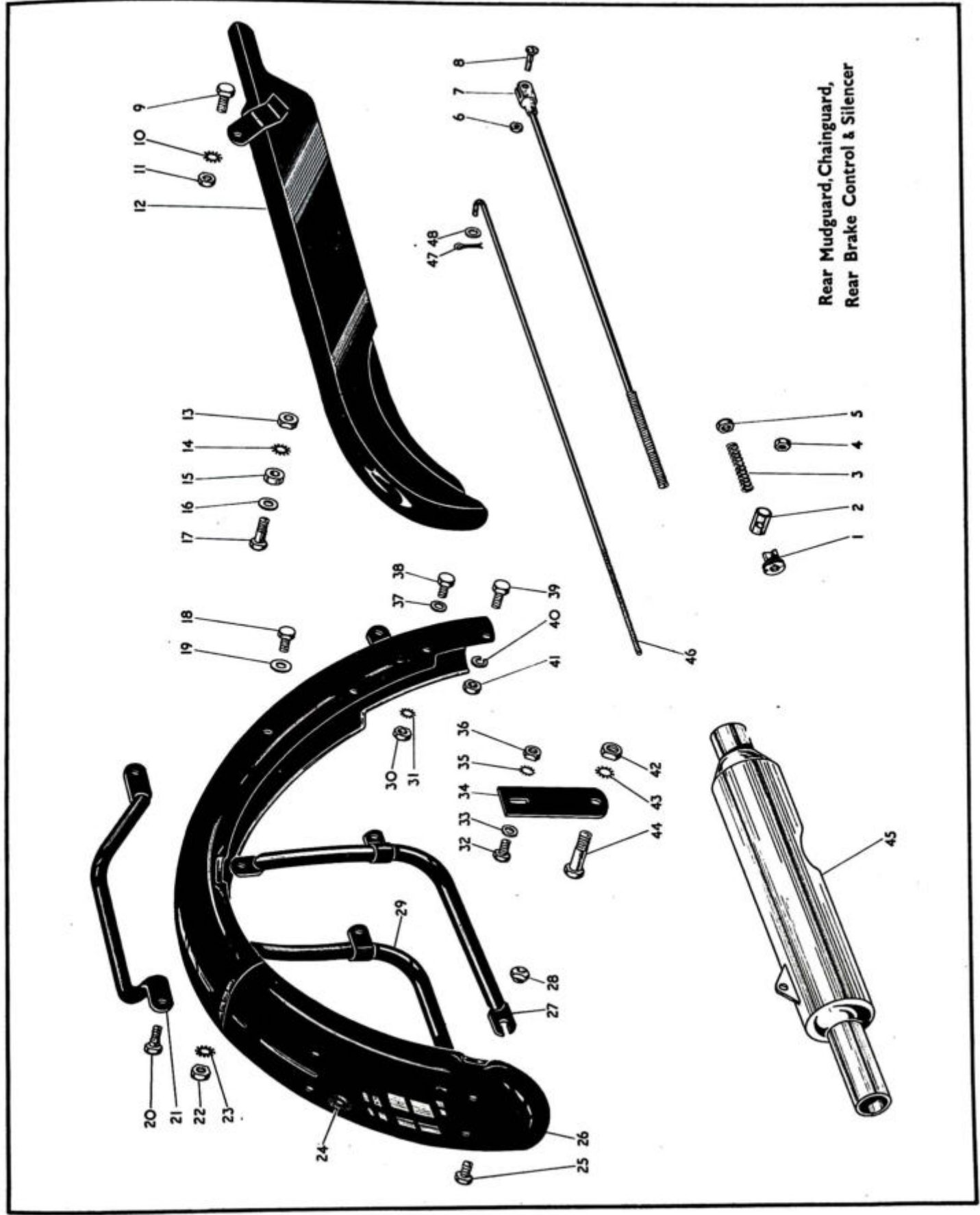
Plate 25—continued Petrol Tank, Handlebar, Battery Carrier and Dual Seat
C11G

Plate Ref. Number	Model	Part No.	Description	Number per set.
— ...	C12	29-9406	Dual seat front support pin (1956)	1
— ...	C12	15-645	Dual seat front support pin bolt (1956)	1
— ...	C12	90-9164	Dual seat support rubber (1956)	2
— ...	C12	29-9408	Dual seat support rubber bolt (1956)	2
— ...	C12	2-49	Dual seat support rubber bolt nut (1956)	4
— ...	C12	3-101	Dual seat support rubber bolt washer (plain) (1956)	2
— ...	C12	2-923	Dual seat support rubber bolt washer (plain) (1956)	2
— ...	C11G Rigid	2-2395	Dual seat rear support fixing bolt nut (1954)	2
— ...	C11G Rigid	2-204	Dual seat rear support strap fixing bolt (1954)	2
— ...	C11G Rigid	27-8560	Dual seat rear support strap fixing bolt washer (1954)	2
— ...	C11G Rigid	29-9366	Dual seat rear support strap (1954)	1
— ...	C11G Rigid	2-129	Dual seat base fixing bolt (1954)	7

Plate 26 REAR MUDGUARD, CHAINGUARD, REAR BRAKE ROD, SILENCER
C10L C11G

Plate Ref. Number	Model	Part No.	Description	Number per set.
1 ...	C10L	90-7006	Rear brake rod adjuster ferrule	1
1 ...	C11G	29-7368	Rear brake rod adjuster ferrule	1
2 ...	C10L, C11G	65-6274	Rear brake rod swivel pin	1
3 ...	C10L, C11G	15-1312	Rear brake rod spring	1
— ...	C11G Rigid	29-7328	Rear brake rod toggle bush	1
5 ...	C10L	21-5102	Rear brake rod spring adjusting nut	1
5 ...	C11G	2-2395	Rear brake rod spring adjusting nut	1
6 ...	C11G	2-443	Rear brake rod toggle end screw nut	1
7 ...	C11G	29-7365	Rear brake rod	1
8 ...	C11G	2-510	Rear brake rod toggle end screw	1
9 ...	C11G	2-129	Rear chainguard strap top bolt	1
10 ...	C11G	36-382	Rear chainguard strap top bolt washer (shakeproof)	1
11 ...	C11G	2-49	Rear chainguard strap top bolt nut	1
12 ...	C11G	29-8330	Rear chainguard complete	1
12 ...	C11G Rigid	29-8325	Rear chainguard complete (1954)	1
13 ...	C11G	2-49	Rear chainguard bottom strap bolt nut	1
14 ...	C11G	36-382	Rear chainguard bottom strap bolt washer (shakeproof)	1
15 ...	C11G	66-8347	Rear chainguard bottom strap bolt distance piece	1
16 ...	C11G	2-923	Rear chainguard bottom strap bolt washer (plain)	1
17 ...	C11G	32-194	Rear chainguard bottom strap bolt	1
18 ...	C11G	15-7354	Rear mudguard support top bolt (offside)	1
19 ...	C11G	2-923	Rear mudguard support top bolt washer (plain)	2
20 ...	C11G	2-1934	Rear mudguard support top bolt (nearside)	1
21 ...	C11G	29-6910	Lifting handle	1
22 ...	C11G	2-49	Rear mudguard support top bolt nut	2
23 ...	C11G	36-382	Rear mudguard support top bolt washer (shakeproof)	2
24 ...	C11G	67-6839	Rear mudguard tail lamp wiring grommet	2
25 ...	C11G	2-204	Rear mudguard support bottom bolt	2
26 ...	C11G	29-6818	Rear mudguard complete with fixed fittings	1
26 ...	C11G Spring	29-6817	Rear mudguard with fixed fittings (1954)	1
27 ...	C11G	29-6760	Rear mudguard support complete (offside)	1
27 ...	C11G Spring	29-6902	Rear mudguard support complete (offside) (1954)	1
28 ...	C11G	15-447	Rear mudguard support bottom bolt nut	2
29 ...	C11G	29-6762	Rear mudguard support complete (nearside)	1
29 ...	C11G Spring	29-6904	Rear mudguard support complete (nearside) (1954)	1
30 ...	C11G	2-2395	Toolbox and mudguard fixing bolt nut	2
31 ...	C11G	29-541	Toolbox and mudguard fixing bolt washer (shakeproof)	2
32 ...	C11G	2-204	Toolbox bracket fixing bolt	1
33 ...	C11G	2-525	Toolbox bracket fixing bolt washer (plain)	1
34 ...	C11G	29-9143	Toolbox fixing bracket	1
35 ...	C11G	29-541	Toolbox bracket fixing bolt washer (shakeproof)	1
36 ...	C11G	2-2395	Toolbox bracket fixing bolt nut	1
37 ...	C11G	2-525	Toolbox and mudguard fixing bolt washer (plain)	2
38 ...	C11G	2-204	Toolbox and mudguard fixing bolt	2
39 ...	C11G	2-1354	Rear mudguard bottom front fixing bolt (offside)	1
40 ...	C11G	24-978	Rear mudguard bottom front fixing bolt washer (spring) (offside)	1

Plate 26 REAR MUDGUARD, CHAINGUARD, REAR BRAKE ROD, SILENCER
C10L, C11G



Rear Mudguard, Chainguard,
Rear Brake Control & Silencer

Plate 26—continued

Rear Mudguard, Chainguard, Rear Brake Rod, Silencer
C10L, C11G

Plate Ref. Number.	Model.	Part No.	Description.	Number per set.
41 ...	C11G	2-2395	Rear mudguard bottom front fixing bolt nut (offside)	1
42 ...	C11G	2-46	Toolbox bracket fixing bolt nut	1
43 ...	C11G	66-4707	Toolbox bracket fixing bolt washer (shakeproof)	1
44 ...	C11G	3-1088	Toolbox bracket fixing bolt...	1
45 ...	C11G	29-2998	Silencer complete	1
46 ...	C10L	90-7012	Rear brake rod	1
47 ...	C10L	35-704	Rear brake rod split pin	1
48 ...	C10L	2-525	Rear brake rod washer	1

Plate 27 Prop Stand, Mudguards, Oil Tank, Toolbox and Chainguard
C12

Plate Ref. Number.	Model.	Part No.	Description.	Number per set.
1 ...	C12	2-49	Rear chainguard fixing bolt nut (rear)	1
2 ...	C12	24-8784	Rear chainguard fixing bolt washer (rear)	1
3 ...	C12	2-923	Rear chainguard fixing bolt washer (rear)	1
4 ...	C12	42-7703	Rear chainguard distance tube	1
5 ...	C12	65-292	Rear chainguard fixing bolt (rear)	1
6 ...	C12	29-8336	Rear chainguard	1
7 ...	C12	24-8784	Rear chainguard fixing bolt washer (front)	2
8 ...	C12	2-353	Rear chainguard fixing bolt (front)	2
9 ...	C12	27-6312	Toolbox bottom fixing bracket bolt	1
10 ...	C12	2-923	Toolbox bottom fixing bracket washer (plain)	1
11 ...	C12	24-8784	Toolbox bottom fixing washer (spring)	1
12 ...	C12	2-49	Toolbox bottom fixing bracket bolt nut	1
13 ...	C12	90-9083	Toolbox lid fastener	1
14 ...	C12	29-4503	Crankcase cover complete	1
15 ...	C12	29-4477	Crankcase cover distance nut	1
16 ...	C12	2-525	Crankcase cover screw washer (plain)	3
17 ...	C12	21-6172	Crankcase cover screw	3
18 ...	C12	89-4283	Crankcase cover cable grommet	1
19 ...	C12	28-2338	Front mudguard bridge fork fixing bolt	4
20 ...	C12	15-7354	Front mudguard stay fixing bolt (centre)	4
21 ...	C12	29-6532	Front mudguard bottom stay	1
22 ...	C12	29-6531	Front mudguard with fixed fittings	1
23 ...	C12	24-8784	Front mudguard stay fixing bolt washer (spring)	4
24 ...	C12	2-1616	Front mudguard stay fixing bolt nut	4
25 ...	C12	2-2395	Front mudguard support bridge fixing bolt nut	2
26 ...	C12	2-1462	Front mudguard support bridge fixing washer (spring)	2
27 ...	C12	24-8784	Front mudguard bridge fork fixing bolt washer (spring)	4
28 ...	C12	2-49	Front mudguard bridge fork fixing bolt nut	4
29 ...	C12	29-6533	Front mudguard support bridge	1
30 ...	C12	29-6532	Front mudguard top stay	1
31 ...	C12	2-2395	Front number plate fixing stud nut	2
32 ...	C12	2-1462	Front number plate fixing washer (spring)	2
33 ...	C12	27-8560	Front number plate washer (plain)	2
34 ...	C12	65-6576	Front number plate complete	1
35 ...	C12	65-8424	Oil return pipe nut	1
36 ...	C12	2-204	Front mudguard top and bottom stay fixing bolt	2
37 ...	C12	27-8560	Front mudguard support bridge fixing bolt washer (plain)	2
38 ...	C12	2-1462	Front mudguard top and bottom stay fixing washer (spring)	4
39 ...	C12	2-2395	Front mudguard top and bottom stay fixing bolt nut	4
40 ...	C12	66-8332	Oil return pipe nut	1
41 ...	C12	27-8560	Front mudguard top and bottom stay fixing bolt washer (plain)	4
42 ...	C12	2-204	Front mudguard top and bottom stay fixing bolt	2
43 ...	C12	42-8334	Oil tank filter complete	1
44 ...	C12	42-8343	Oil tank filter plug washer (fibre)	1
45 ...	C12	29-7996	Oil return pipe complete (crankcase)	1
46 ...	C12	65-8422	Oil pipe connection ferrule	2
47 ...	C12	65-2060	Oil pipe connection	1
48 ...	C12	65-8421	Oil return pipe nut washer	1
49 ...	C12	65-8420	Oil return pipe connection	1

Plate 27 Prop Stand, Mudguards, Oil Tank, Toolbox and Chainguard

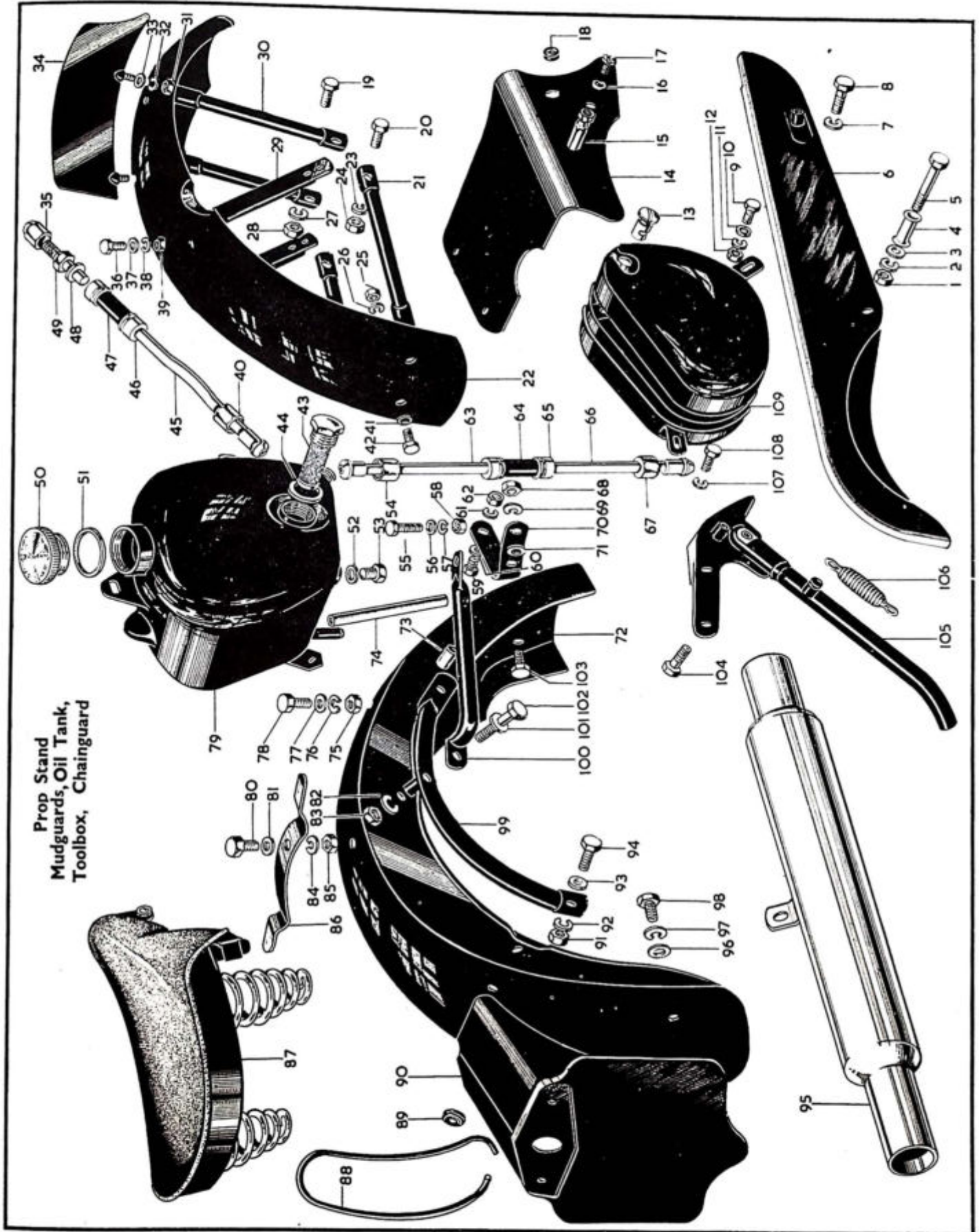


Plate 27—continued Prop Stand, Mudguards, Oil Tank, Toolbox and Chainguard
C12

Plate Ref. Number.	Model.	Part No.	Description.	Number per set.
50	C12	65-8500	Oil tank filler cap	1
51	C12	67-42	Oil tank filler cap washer (fibre)	1
52	C12	2-100	Oil tank drain plug washer (fibre)	1
53	C12	2-84	Oil tank drain plug	1
54	C12	66-8332	Oil pipe nipple nut	1
55	C12	15-2018	Mudguard stay to frame bolt	2
56	C12	2-923	Mudguard stay to frame bolt washer (plain)	2
57	C12	24-8784	Rear mudguard stay to frame bolt washer (spring)	2
58	C12	2-49	Rear mudguard stay to frame bolt nut	2
59	C12	2-1934	Mudguard bottom fixing bracket to battery carrier bolt	1
60	C12	2-923	Mudguard bottom fixing washer	1
61	C12	24-8784	Mudguard bottom fixing bracket to battery carrier washer (spring)	1
62	C12	2-49	Mudguard bottom fixing nut	1
63	C12	29-8350	Oil feed pipe complete	1
64	C12	65-2060	Oil pipe connection	1
65	C12	65-8422	Oil pipe connection ferrule	2
66	C12	29-7996	Oil feed pipe complete (crankcase)	1
67	C12	66-8332	Oil pipe nipple nut	1
68	C12	2-49	Rear mudguard to bracket fixing nut	2
69	C12	24-8784	Rear mudguard to bracket washer (spring)	2
70	C12	29-6737	Rear mudguard bottom fixing bracket	1
71	C12	2-923	Rear mudguard to bracket fixing washer (plain)	1
72	C12	29-6731	Rear mudguard with fixed fittings	1
73	C12	42-8331	Mudguard top pivot distance tube	2
74	C12	42-8072	Oil tank breather pipe extension	1
—	C12	15-2018	Mudguard stay to frame bolt	2
—	C12	2-923	Mudguard stay to frame washer (plain)	2
—	C12	24-8784	Mudguard stay to frame spring washer	2
—	C12	2-49	Mudguard stay to frame nut	2
75	C12	2-49	Mudguard bracket nut	2
76	C12	24-8784	Mudguard bracket washer (spring)	2
77	C12	2-923	Mudguard bracket washer (plain)	2
78	C12	15-7354	Mudguard bracket bolt	2
79	C12	29-8354	Oil tank with fixed fittings	1
80	C12	2-1934	Twin seat rear support bracket to mudguard bolt	2
80	C12	2-220	Mudguard bridge bolt (centre) when dual seat is not fitted	2
81	C12	2-923	Mudguard bridge washer centre (plain)	2
81	C12	2-923	Twin seat fixing bolt washer (plain)	2
82	C12	24-8784	Mudguard stay spring washer (centre)	2
83	C12	2-49	Mudguard stay nut (centre)	2
84	C12	24-8784	Rear support bracket to mudguard washer (spring)	2
84	C12	35-33	Twin seat fixing bolt washer (spring)	4
84	C12	24-8784	Twin seat support bracket to mudguard washer (spring)	2
85	C12	2-49	Rear support bracket to mudguard nut	2
85	C12	2-49	Mudguard bridge bolt nut (centre)	2
86	C12	29-9404	Twin seat rear support bracket	2
87	C12	29-8420	Saddle	1
88	C12	67-6851	Rear number plate rubber extrusion	1
89	C12	67-6839	Rear mudguard tail lamp wire grommet	2
90	C12	67-6885	Rear number plate complete	1
91	C12	2-49	Mudguard stay nut (rear)	2
92	C12	24-8784	Mudguard stay washer (rear) (spring)	2
93	C12	2-923	Mudguard stay washer (rear) (plain)	2
94	C12	28-2338	Mudguard stay bolt (rear)	2
95	C12	29-3005	Silencer	1
96	C12	27-8560	Rear number plate fixing bolt washer (plain)	4
97	C12	2-1462	Rear number plate fixing bolt washer (spring)	4
98	C12	2-220	Rear number plate fixing bolt	4
99	C12	29-6733	Rear mudguard stay (offside)	1
99	C12	29-6732	Rear mudguard stay (nearside)	1
100	C12	29-6743	Lifting handle (nearside)	1
100	C12	29-6742	Lifting handle (offside)	1
101	C12	2-923	Mudguard stay washer centre (plain)	4
102	C12	15-2018	Mudguard stay bolt (centre)	2
103	C12	15-7354	Rear mudguard bottom fixing bolt	2
104	C12	15-480	Pillion footrest bracket and prop stand bolt (when prop stand and pillion footrests are fitted (nearside)).	2
105	C12	29-4764	Prop stand complete	1
106	C12	65-4742	Prop stand spring	1
107	C12	24-8784	Toolbox top fixing bolt washer (spring)	1
108	C12	67-8313	Toolbox fixing bolt	1
109	C12	29-9170	Toolbox complete	1

Plate 28

TOOLS and SUNDRIES

C10L, C11G and C12.

Plate Ref. Number	Model.	Part No.	Description.	Number per set.
—	C10L	29-9243	Toolbag complete with tools	1
—	C10L	29-9248	Toolbag complete with tools (1954/5)	1
—	C12	29-9244	Toolbag complete with tools	1
1	C10L, C11G, C12	65-9115	Box spanner	1
2	C11G, C12	29-9256	Hub spindle nut and alternator spanner	1
3	C10L	90-9018	Tyre lever	1
3	C11G, C12	29-9252	Tyre lever	1
4	C10L, C11G, C12	24-8957	Tommy bar	1
5	C10L, C11G, C12	66-9132	Sparking plug spanner	1
6	C10L	1-3051	Double ended spanner	1
7	C10L, C11G	65-9170	Pillion seat	1
8	C10L, C11G, C12	42-9026	Inflator	1
9	C11G, C12	15-832	Box spanner	1
10	C10L, C11G, C12	29-9254	Combination spanner	1
11	C10L, C11G, C12	29-9221	Licence holder	1
12	C10L	90-9071	Cone spanner	2
13	C11G, C12	29-9255	Front hub cone spanner	1
14	C10L	90-9071	Rear hub spindle nut and generator spanner	1
15	C10L, C11G, C12	29-9257	Clutch centre nut spanner	1
16	C10L, C11G	15-7161	Pillion seat bolt	4
17	C10L, C11G	2-1462	Pillion seat bolt washer (spring)	4
18	C10L, C11G	2-2395	Pillion seat bolt nut	4
19	C10L, C11G, C12	66-9036	Box spanner	1
20	C10L, C11G, C12	29-9253	Tommy bar	1
21	C11G, C12	65-9243	Front fork top nut spanner	1
22	C10L, C11G, C12	65-9130	Tappet feelers (set)	1
23	C11G, C12	67-9028	Spanner	1
24	C10L	65-9132	Tappet adjusting spanner	1
25	C11G	65-9240	Grinding tool	1
26	C10L	90-9013	Toolbag only (1954/5)	1
26	C10L, C11G, C12	65-9205	Toolbag only	1
27	C10L, C11G, C12	65-9133	Tappet adjusting spanner	1
28	C10L, C11G	65-9246	Combination spanner (1954/5)	1
29	C12	65-9246	Combination spanner	1

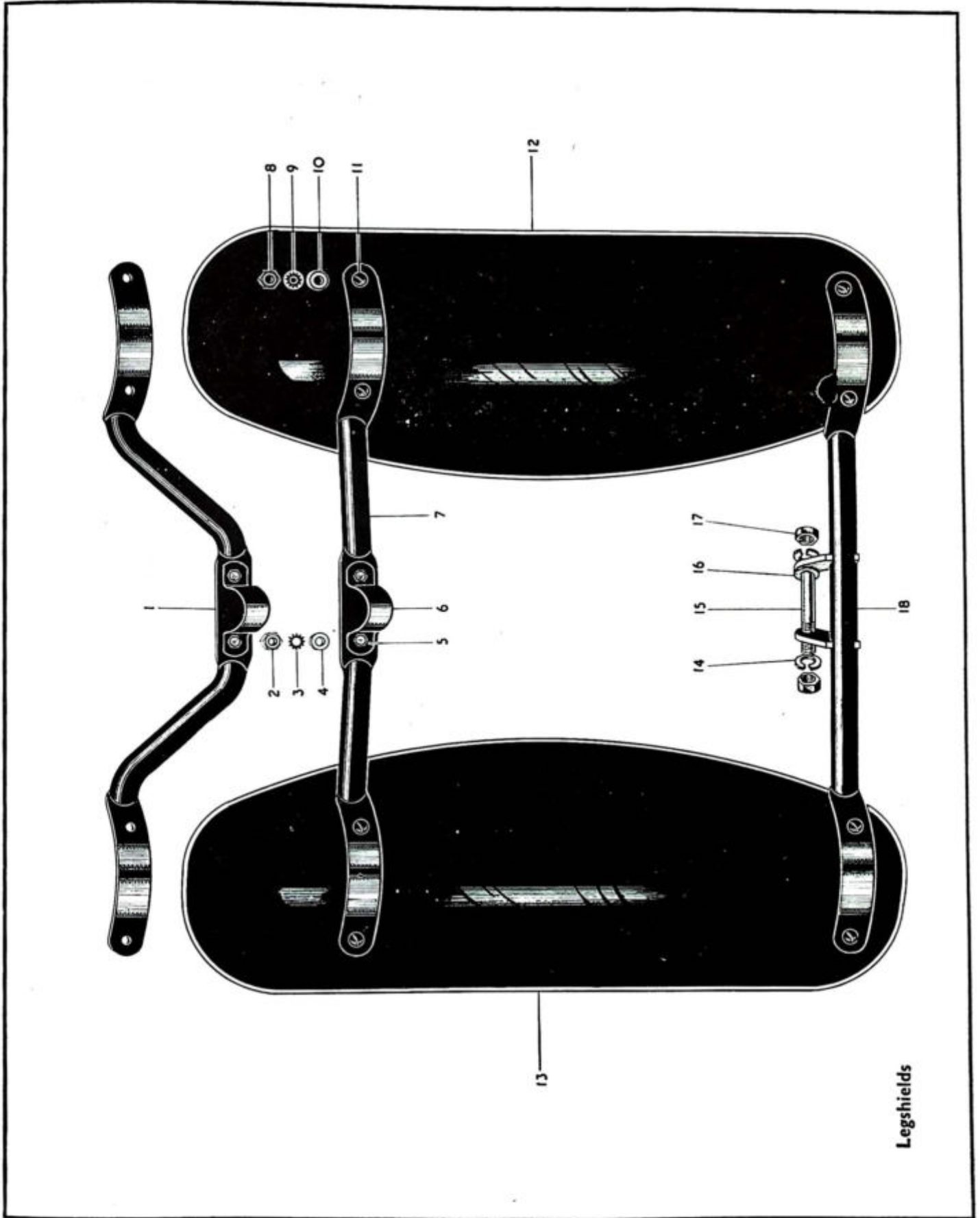
Plate 29

LEGSHIELDS

C10L, C11G and C12

Plate Ref. Number.	Model.	Part No.	Description.	Number per set.
—	C10L	29-7465	Legshields assembled complete	1
—	C11G, C12	29-7466	Legshields assembled complete	1
1	C10L	29-7469	Legshield top support tube	1
2	C10L, C11G, C12	21-5102	Legshield support tube clip bolt nut	2
3	C10L, C11G, C12	29-541	Legshield support tube clip bolt washer	2
4	C10L, C11G, C12	2-525	Legshield support tube clip bolt washer (plain)	2
5	C10L, C11G, C12	21-5402	Legshield support tube clip bolt	2
5	C10L	21-5612	Legshield support tube clip bolt (1956)	2
6	C10L, C11G, C12	29-7474	Legshield top support tube clip	1
7	C11G, C12	29-7470	Legshield top support tube	1
8	C10L, C11G, C12	21-5102	Legshield support tube screw nut	8
9	C10L, C11G, C12	29-541	Legshield support tube screw washer	8
10	C10L, C11G, C12	2-525	Legshield support tube screw washer (plain)	8
11	C10L, C11G, C12	21-6173	Legshield support tube screw	8
12	C10L, C11G, C12	29-7467	Legshield (nearside)	1
13	C10L, C11G, C12	29-7468	Legshield (offside)	1
14	C10L, C11G	24-8784	Engine plate and legshield fixing stud washer	2
15	C10L, C11G, C12	29-4101	Engine plate and legshield fixing stud	1
16	C10L, C11G	2-2899	Bottom support distance washer	1
17	C10L, C11G	24-5160	Engine plate and legshield fixing stud nut	2
18	C10L, C11G, C12	29-7471	Legshield bottom support tube	1

LEGSHIELDS
C10L and C11G



Legshields

Plate 30

LEGSIELDS and BUMPER BARS

C10L, C11G and C12

Plate Ref. Number.	Model.	Part No.	Description	Number per set.
—	... C10L	... 29-7665	... Legshields and bumper bar assembly	1
—	... C11G, C12	... 29-7620	... Legshields and bumper bar assembly	1
1	... C10L, C11G, C12	... 29-7621	... Legshield (offside)	1
2	... C10L, C11G, C12	... 29-7622	... Legshield (nearside)	1
3	... C10L	... 29-7664	... Front bumper bar assembly with clips, bolts, nuts, and washers	1
3	... C11G, C12	... 29-7619	... Front bumper bar assembly with clips, bolts, nuts and washers	1
4	... C10L	... 29-4101	... Front bumper bar bracket stud	1
4	... C11G, C12	... 29-7670	... Front bumper bar bracket stud	1
5	... C10L, C11G, C12	... 15-7161	... Legshield clip screw	8
6	... C10L, C11G, C12	... 27-8560	... Legshield clip screw washer (plain)	8
7	... C10L, C11G, C12	... 24-8928	... Legshield clip	8
8	... C10L, C11G, C12	... 2-1462	... Legshield clip screw spring washer	8
9	... C10L, C11G, C12	... 2-2395	... Legshield clip screw nut	8
10	... C10L, C11G, C12	... 27-6037	... Front bumper bar clip bolt	2
11	... C10L, C11G, C12	... 2-923	... Front bumper bar bolt washer (plain)	2
12	... C10L, C11G, C12	... 24-8784	... Front bumper bar bolt washer (spring)	2
13	... C10L, C11G, C12	... 2-49	... Front bumper bar bolt nut	2
14	... C11G, C12	... 29-7627	... Front bumper bar clip	1
15	... C10L	... 29-7663	... Front bumper bar clip	1

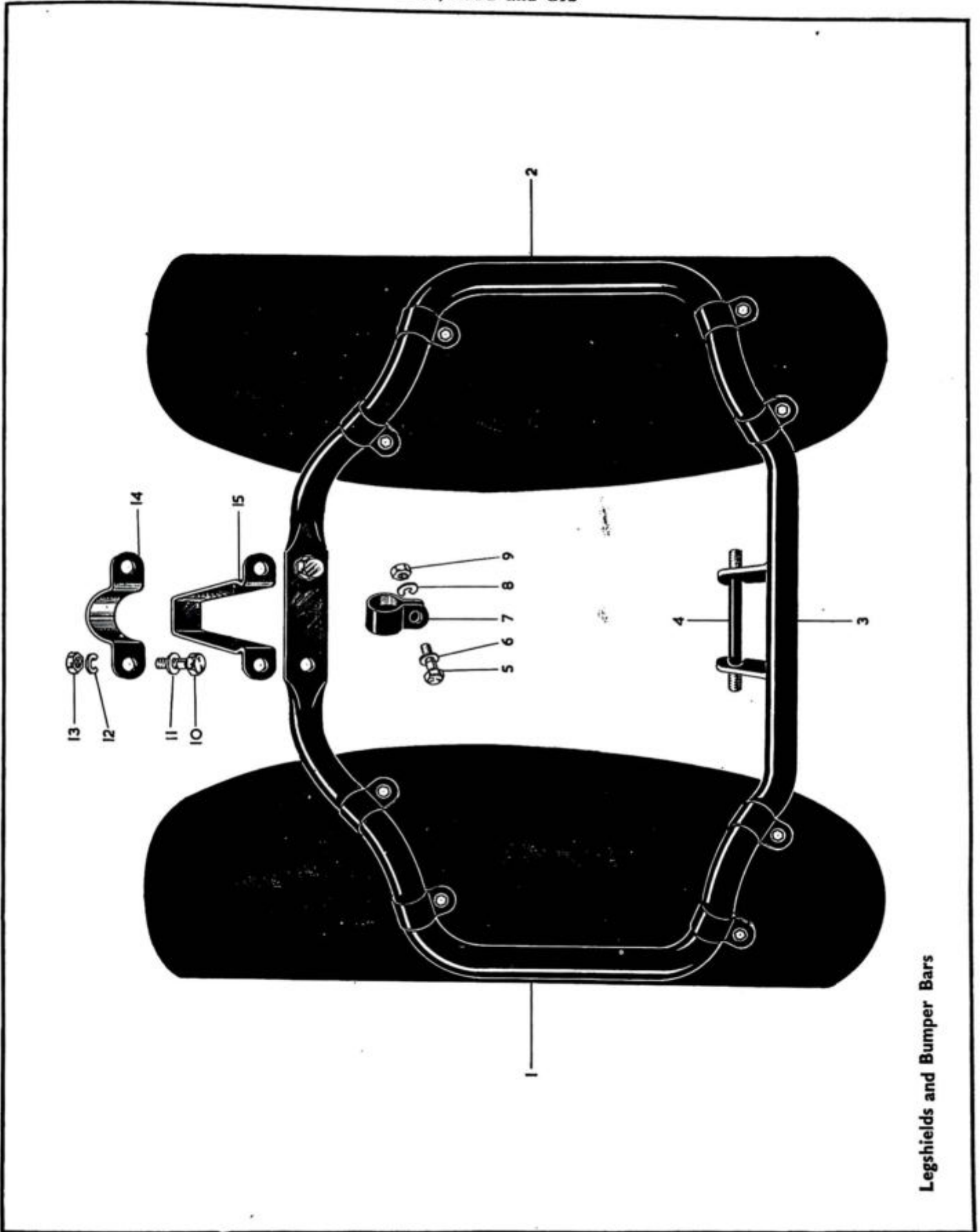
Plate 31

ELECTRICAL EQUIPMENT

C10L.

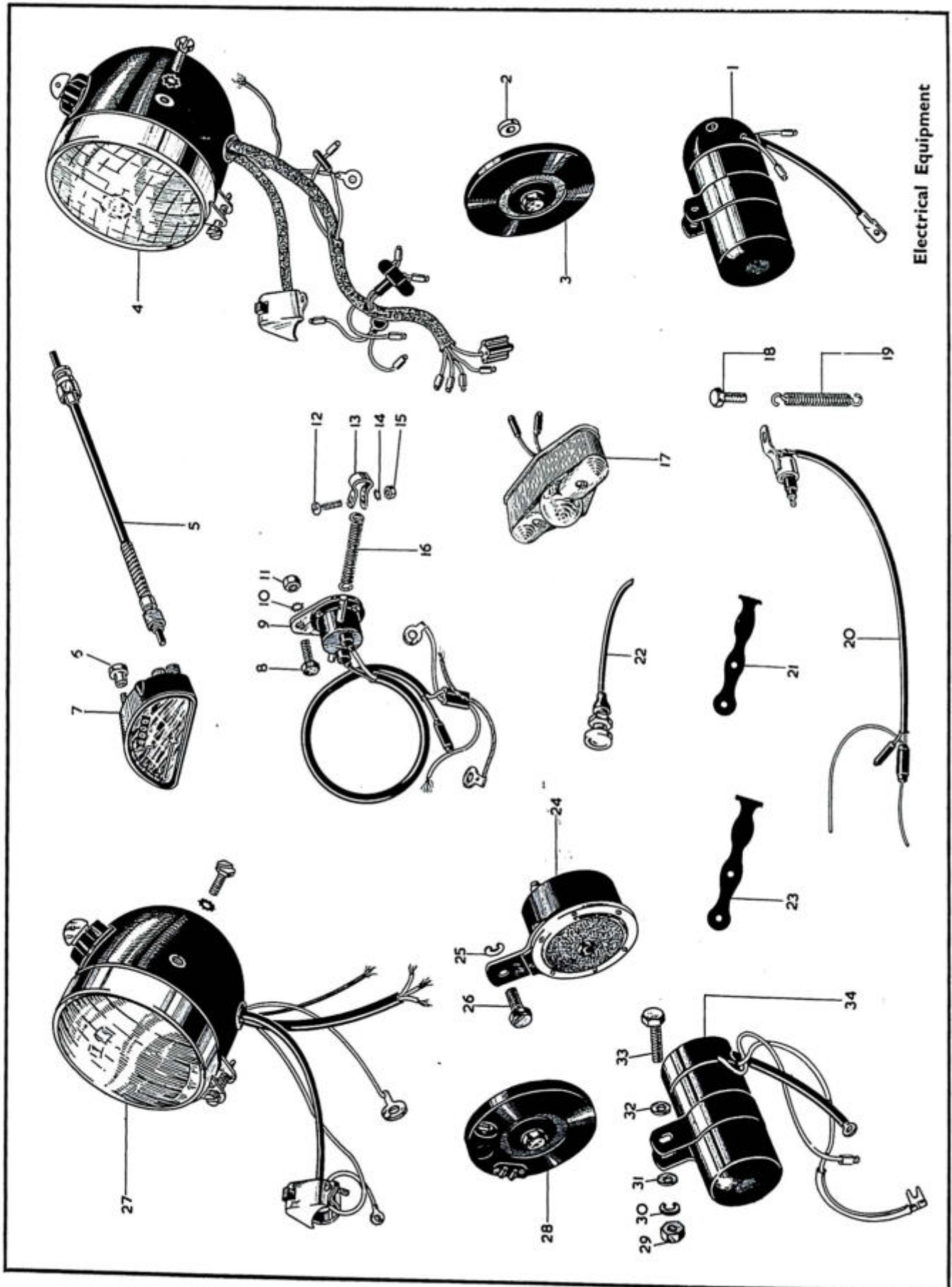
Plate Ref. Number	Model.	Part No.	Description.	Number per set.
1	... C10L	... 29-9371	... Ignition coil (1956)	1
2	... C10L	... 15-7563	... Rectifier distance piece (1956)	1
3	... C10L	... 19-81	... Rectifier (1954/5)	1
4	... C10L	... 19-13	... Headlamp complete (1956)	1
5	... C10L	... 90-9021	... Speedometer cable (1954/5)	1
5	... C10L	... 29-9402	... Speedometer cable (1956)	1
6	... C10L	... 29-9294	... Speedometer fixing nut	1
6	... C10L	... 29-9295	... Speedometer fixing nut	1
7	... C10L	... 29-9293	... Speedometer head (m.p.h.)	1
7	... C10L	... 19-2113	... Speedometer head (k.p.h.)	1
8	... C10L	... 2-2980	... Stop light switch fixing bolt (1954/5)	1
9	... C10L	... 90-9120	... Stop and tail lamp switch (1954/5)	1
10	... C10L	... 29-541	... Stop light switch fixing bolt washer (1954/5) (shakeproof)	1
11	... C10L	... 2-49	... Stop light switch fixing bolt nut (1954/5)	1
12	... C10L	... 65-5912	... Stop light brake rod clip screw (1954/5)	1
13	... C10L	... 65-9228	... Stop light brake rod clip (1954/5)	1
14	... C10L	... 29-3319	... Stop light brake rod clip washer (shakeproof) (1954/5)	1
15	... C10L	... 2-1588	... Stop light brake rod clip nut (1954/5)	1
16	... C10L	... 65-9231	... Stop and tail lamp operating spring (1954/5)	1
17	... C10L	... 19-68	... Stop and tail lamp (1955/6)	1
18	... C10L	... 2-204	... Stop light switch fixing bolt (1956)	1
19	... C10L	... 90-9124	... Stop and tail lamp operating spring (1956)	1
20	... C10L	... 19-181	... Stop and tail lamp switch (1956)	1
21	... C10L	... 90-9024	... Rubber cable clip (small)	2
22	... C10L	... 29-9349	... Horn push with cable	1
23	... C10L	... 66-9049	... Rubber cable clip (large)	6
24	... C10L	... 29-9355	... Electric horn	1
25	... C10L	... 24-8784	... Horn securing bolt washer (spring)	1
26	... C10L	... 21-5452	... Horn securing bolt	1
27	... C10L	... 19-6	... Headlamp complete	1
28	... C10L	... 19-81	... Rectifier (1956)	1
29	... C10L	... 21-5102	... Ignition coil bolt nut	1
30	... C10L	... 2-1462	... Ignition coil bolt nut washer (spring)	1
31	... C10L	... 27-8560	... Ignition coil bolt nut washer (plain)	1
32	... C10L	... 27-8560	... Ignition coil bolt nut washer (plain)	1
33	... C10L	... 21-5619	... Coil ignition bolt	1
34	... C10L	... 29-9359	... Ignition coil (1954/5)	1
—	... C10L	... 19-1552	... Battery	1

LEGSIELDS and BUMPER BARS
C10L, C11G and C12



Legshields and Bumper Bars

ELECTRICAL EQUIPMENT
C10L

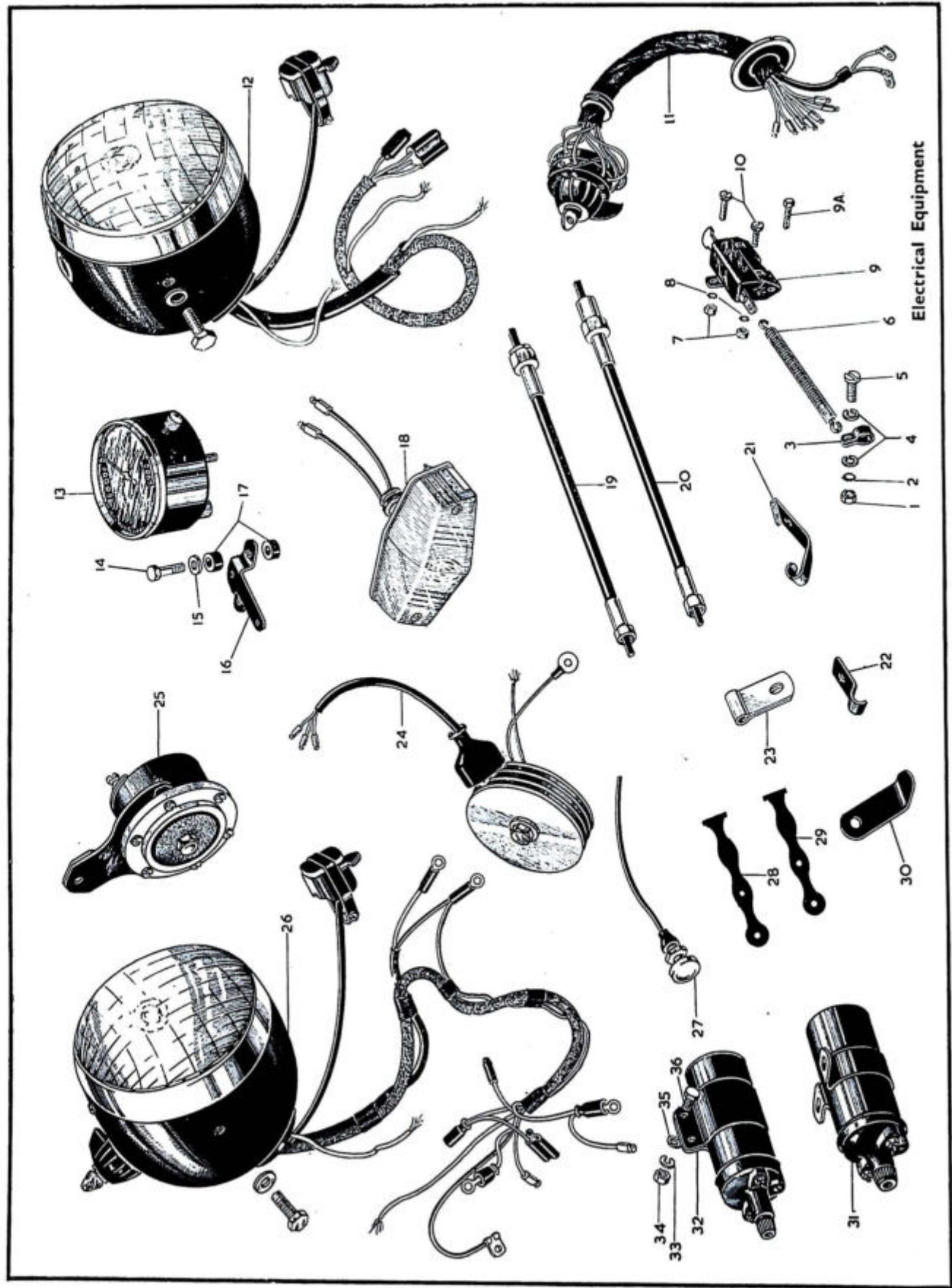


Electrical Equipment

Plate 32

ELECTRICAL EQUIPMENT
C11G and C12

Plate Ref. Number	Model.	Part No.	Description.	Number per set
1	C11G	2-1588	Stop lamp switch operating spring clip bolt nut	1
2	C11G	29-541	Stop lamp switch operating spring clip washer (shakeproof)	1
3	C11G	65-9228	Stop lamp switch operating spring clip	1
4	C11G	2-1096	Stop lamp switch operating spring clip washer (spring)	1
5	C11G	2-1584	Stop lamp switch operating spring clip bolt	1
6	C11G	65-9231	Stop light switch tension spring	1
6	C12	29-9426	Stop light switch tension spring	1
7	C11G, C12	2-47	Stop lamp switch screw nut	2
8	C11G, C12	29-3319	Stop lamp switch screw washer (shakeproof)	2
9	C11G, C12	19-1114	Stop lamp switch	1
9A	C12	15-4169	Stop light switch bolt	2
10	C11G	24-7065	Stop light switch screw	2
11	C12	19-707	Switch and cable assembly	1
12	C12	19-531	Headlamp (right-hand dip)	1
13	C12	29-9293	Speedometer head (m.p.h.)	1
13	C11G	19-2105	Speedometer head (m.p.h.)	1
13	C11G	19-2116	Speedometer head (k.p.h.)	1
13	C12	19-2113	Speedometer head (k.p.h.)	1
14	C11G, C12	65-9179	Speedometer bracket bolt	2
15	C11G, C12	2-1374	Speedometer mounting bolt washer (plain)	2
16	C11G, C12	65-9111	Speedometer bracket	1
17	C11G, C12	15-7383	Speedometer mounting rubber	4
18	C11G	19-1000	Stop and tail lamp	1
18	C12	19-1011	Stop and tail lamp	1
19	C11G, C12	67-9057	Speedometer cable (4-speed gearbox)	1
20	C11G	29-9341	Speedometer cable (3-speed gearbox) 1955	1
21	C11G	67-9039	Speedometer cable clip (engine bolt) (4-speed gearbox)	1
21	C12	67-9039	Speedometer cable clip (engine bolt)	1
22	C11G	90-9060	Front brake cable clip	1
23	C11G	67-9060	Speedometer cable clip (3-speed gearbox)	1
24	C12	19-1644	Rectifier	1
24	C11G	19-1644	Rectifier	1
25	C11G	19-2016	Electric horn	1
25	C12	42-9046	Electric horn	1
26	C11G	19-523	Headlamp complete	1
27	C11G	19-2017	Electric horn push	1
27	C12	29-9349	Electric horn push	1
28	C11G, C12	66-9049	Speedometer cable clip (rubber) (large)	6
29	C11G, C12	90-9024	Speedometer cable clip (rubber) (small)	2
30	C11G	29-9331	Speedometer cable clip (head lug) (4-speed gearbox)	1
30	C12	29-9331	Speedometer cable clip (head lug)	1
31	C12	19-708	Coil	1
32	C11G	19-691	Coil	1
—	C11G, C12	19-1552	Battery	1
33	C12	24-978	Coil fixing bolt spring washer	2
34	C12	2-2395	Coil fixing bolt nut	2
35	C12	27-8560	Coil fixing bolt washer (plain)	2
36	C12	2-204	Coil fixing bolt	2



Electrical Equipment

Plate 32

ELECTRICAL EQUIPMENT
C11G and C12

Plate Ref. Number	Model	Part No.	Description.	Number per set
1	...	C11G
2	...	C11G	2-1588 ... Stop lamp switch operating spring clip bolt nut ...	1
3	...	C11G	29-541 ... Stop lamp switch operating spring clip washer (shakeproof) ...	1
4	...	C11G	65-9228 ... Stop lamp switch operating spring clip ...	1
5	...	C11G	2-1096 ... Stop lamp switch operating spring clip washer (spring) ...	1
6	...	C11G	2-1584 ... Stop lamp switch operating spring clip bolt ...	1
6	...	C12	65-9231 ... Stop light switch tension spring ...	1
7	...	C11G, C12	29-9426 ... Stop light switch tension spring ...	1
8	...	C11G, C12	2-47 ... Stop lamp switch screw nut ...	2
9	...	C11G, C12	29-3319 ... Stop lamp switch screw washer (shakeproof) ...	2
9A	...	C12	19-1114 ... Stop lamp switch ...	1
10	...	C11G	15-4169 ... Stop light switch bolt ...	2
11	...	C12	24-7065 ... Stop light switch screw ...	2
12	...	C12	19-707 ... Switch and cable assembly ...	1
13	...	C12	19-531 ... Headlamp (right-hand dip) ...	1
13	...	C11G	29-9293 ... Speedometer head (m.p.h.) ...	1
13	...	C11G	19-2105 ... Speedometer head (m.p.h.) ...	1
13	...	C12	19-2116 ... Speedometer head (k.p.h.) ...	1
14	...	C11G, C12	19-2113 ... Speedometer head (k.p.h.) ...	1
15	...	C11G, C12	65-9179 ... Speedometer bracket bolt ...	2
16	...	C11G, C12	2-1374 ... Speedometer mounting bolt washer (plain) ...	2
17	...	C11G, C12	65-9111 ... Speedometer bracket ...	1
18	...	C11G	15-7383 ... Speedometer mounting rubber ...	4
18	...	C12	19-1000 ... Stop and tail lamp ...	1
19	...	C11G, C12	19-1011 ... Stop and tail lamp ...	1
20	...	C11G	67-9057 ... Speedometer cable (4-speed gearbox) ...	1
21	...	C11G	29-9341 ... Speedometer cable (3-speed gearbox) 1955 ...	1
21	...	C12	67-9039 ... Speedometer cable clip (engine bolt) (4-speed gearbox) ...	1
22	...	C11G	67-9039 ... Speedometer cable clip (engine bolt) ...	1
23	...	C11G	90-9060 ... Front brake cable clip ...	1
24	...	C12	67-9060 ... Speedometer cable clip (3-speed gearbox) ...	1
24	...	C11G	19-1644 ... Rectifier ...	1
25	...	C11G	19-1644 ... Rectifier ...	1
25	...	C12	19-2016 ... Electric horn ...	1
26	...	C11G	42-9046 ... Electric horn ...	1
27	...	C11G	19-523 ... Headlamp complete ...	1
27	...	C12	19-2017 ... Electric horn push ...	1
28	...	C11G, C12	29-9349 ... Electric horn push ...	1
29	...	C11G, C12	66-9049 ... Speedometer cable clip (rubber) (large) ...	6
30	...	C11G	90-9024 ... Speedometer cable clip (rubber) (small) ...	2
30	...	C12	29-9331 ... Speedometer cable clip (head lug) (4-speed gearbox) ...	1
31	...	C12	29-9331 ... Speedometer cable clip (head lug) ...	1
32	...	C11G	19-708 ... Coil ...	1
32	...	C11G	19-691 ... Coil ...	1
33	...	C12	19-1552 ... Battery ...	1
34	...	C12	24-978 ... Coil fixing bolt spring washer ...	2
35	...	C12	2-2395 ... Coil fixing bolt nut ...	2
35	...	C12	27-8560 ... Coil fixing bolt washer (plain) ...	2
36	...	C12	2-204 ... Coil fixing bolt ...	2

ENGINE AND FRAME MARKINGS
for C10L and C11G 1954.

Model	Type.	Engine.	Frame.
C10L	250c.c. S.V. (Spring Frame)	BC10L-101 upwards	BC10LS-101 upwards
C11G	250c.c. O.H.V. (Rigid Frame)	BC11G-101 upwards	BC11-101 upwards
C11G	250c.c. O.H.V. (Spring Frame) (3-speed)	BC11-G101 upwards	BC11S-101 upwards
C11G	250c.c. O.H.V. (Spring Frame) (4-speed)	BC11G-101 upwards	BC11S4 101 upwards

ENGINE AND FRAME MARKINGS
for C10L and C11G 1955

Model.	Type.	Engine.	Frame.
C10L	250c.c. S.V. (Spring Frame)	BC10L-4001 upwards	BC10LS-4501 upwards
C11G	250c.c. O.H.V. (Spring Frame) (3-speed)	BC11G-11501 upwards	BC11S-4001 upwards
C11G	250c.c. O.H.V. (Spring Frame) (4-speed)	BC11G-11501 upwards	BC11S4-8001 upwards

ENGINE AND FRAME MARKINGS
for C10L and C12 1956

Model.	Type.	Engine	Frame.
C1L0	250c.c. S.V. (Spring Frame)	BC10L-7001	DC10S-101
C12	250c.c. O.H.V. (Swinging Hrm)	BC11G-23001	EC12-101

CARBURETTERS AND SETTINGS

MESSRS. AMALGAMATED CARBURETTERS LTD., PERRY BARR, BIRMINGHAM.

Part No.	Model	Type	Choke Size (inches)	Main Jet	Throttle Valve	Needle Position	Needle Jet	Engine End Size (inches)	Year
19-2323	C10L	274BT/3EG	25/32	90	4/4	2	.1055	25/32	1954
19-2322	C11G	274BU/1EH	25/32	80	4/4	3	.1065	25/32	1954
29-306 with air bell	C10L	Monobloc 375/2	25/32	120	375/3½	2	.1055	25/32	1955/6
29-307 for filter fitting	C10L	Monobloc 375/2	25/32	85	375/3½	2	.1055	25/32	1955/6
29-308 with air bell	C11G	Monobloc 375/4	25/32	140	375/3½	3	.1055	25/32	1955
29-309 for filter fitting	C11G	375/4	25/32	100	375/3½	3	.1055	25/32	1955
29-308 with air bell	C12	Monobloc 375/4	25/32	140	375/3½	3	.1055	25/32	1956
29-309 for filter fitting	C12	375/4	25/32	100	375/3½	3	.1055	25/32	1956

PISTONS 1954/5/6

MODELS	Comp- ression Ratio	PISTONS COMPLETE			COMPRESSION RINGS			SCRAPER RINGS		
		Standard	½ mm. OS	1 mm. OS	Standard	½ mm. OS	1 mm. OS	Standard	½ mm. OS	1 mm. OS
C10L	5 to 1	29-2561	29-2562	29-2563	29-2620(2)	29-2621(2)	29-2622(2)	65-730	65-731	65-732
C11G	6.5 to 1	29-2568	29-2569	29-2570	29-2620(2)	29-2621(2)	29-2622(2)	29-2623	29-2624	29-2625
C12	6.5 to 1	29-2568	29-2569	29-2570	29-2620(2)	29-2621(2)	29-2622(2)	29-2623	29-2624	29-2625

NUMERICAL INDEX

C Group

Part No	Page	Ref. No.	Plate
1-3051	70	6	28
1-4606	24	47	5
2-36	10	27	1
2-36	10	50	1
2-46	13	167	1
2-46	10	8	1
2-46	10	8	1
2-46	26	66	6
2-46	27	39	7
2-46	29	41	8
2-46	30	61	8
2-46	30	82	8
2-46	30	95	8
2-46	32	8	9
2-46	32	66	9
2-46	34	109	9
2-46	34	115	9
2-46	34	2	10
2-46	59	56	24
2-46	63	28	25
2-46	63	49	25
2-46	66	42	26
2-47	75	7	32
2-49	10	29	1
2-49	10	34C	1
2-49	13	155	1
2-49	13	157	1
2-49	13	169	1
2-49	19	109	3
2-49	21	72	4
2-49	26	41	6
2-49	26	44	6
2-49	26	46	6
2-49	27	30	7
2-49	32	32	9
2-49	32	47	9
2-49	34	101	9
2-49	56	—	23
2-49	58	92	23
2-49	59	4	24
2-49	59	21	24
2-49	61	5	25
2-49	61	14	25
2-49	61	—	25
2-49	64	—	25
2-49	64	11	26
2-49	64	13	26
2-49	64	22	26
2-49	66	1	27
2-49	66	12	27
2-49	66	28	27
2-49	68	58	27
2-49	68	62	27
2-49	68	68	27
2-49	68	—	27
2-49	68	75	27
2-49	68	83	27
2-49	68	85	27
2-49	68	85	27
2-49	68	91	27
2-49	72	13	30
2-49	72	11	31
2-51	21	46	4
2-51	22	100	4
2-51	47	4	18
2-51	47	27	18
2-51	49	31	19
2-51	49	52	19
2-51	10	5	1
2-51	12	93	1
2-53	16	73	2

Part No.	Page	Ref. No.	Plate
2-79	55	51	22
2-79	63	40	25
2-84	56	54	23
2-84	61	76	24
2-84	68	53	27
2-100	56	55	23
2-100	61	74	24
2-100	68	52	27
2-124	21	20	4
2-129	55	67	22
2-129	59	2	24
2-129	61	12	25
2-129	64	—	25
2-129	64	9	26
2-204	59	52	24
2-204	61	91	24
2-204	61	19	25
2-204	64	—	25
2-204	64	25	26
2-204	64	32	26
2-204	64	38	26
2-204	66	36	27
2-204	66	42	27
2-204	72	18	31
2-204	75	36	32
2-220	61	63	24
2-220	68	80	27
2-220	68	98	27
2-292	38	4	12
2-292	38	3	13
2-353	66	8	27
2-370	58	85	23
2-370	59	40	24
2-440	24	22	6
2-440	27	9	7
2-440	27	57	7
2-440	29	18	8
2-440	30	75	8
2-440	32	69	8
2-440	34	76	9
2-440	41	3	14
2-440	43	23	15
2-440	45	21	16
2-440	45	1	17
2-440	47	4	19
2-440	51	34	20
2-440	53	31	21
2-443	16	54	2
2-443	34	117	9
2-443	43	37	14
2-443	45	28	17
2-443	64	6	26
2-452	18	35	3
2-498	16	—	2
2-510	34	118	9
2-510	43	40	14
2-510	45	31	17
2-510	64	8	26
2-520	49	20	19
2-520	53	25	21
2-522	26	67	6
2-522	27	40	7
2-522	29	73	7
2-522	30	56	8
2-522	30	62	8
2-522	32	9	9
2-522	32	15	9
2-522	32	37	9
2-522	34	90	9
2-525	70	4	29
2-525	70	10	29

NUMERICAL INDEX—continued

C Group

Part No.	Page	Ref. No.	Plate
2-525	14	32	2
2-525	18	29	3
2-525	18	40	3
2-525	21	26	4
2-525	21	47	4
2-525	24	18	6
2-525	26	29	6
2-525	29	8	8
2-525	29	30	8
2-525	41	28	13
2-525	59	59	24
2-525	61	71	24
2-525	64	33	26
2-525	64	37	26
2-525	66	48	26
2-525	66	16	27
2-537	13	141A	1
2-803	30	58	8
2-803	30	92	8
2-803	59	55	24
2-833	51	15	20
2-923	10	34B	1
2-923	18	73	3
2-923	26	42	6
2-923	26	45	6
2-923	27	31	7
2-923	29	42	8
2-923	32	30	9
2-923	32	48	9
2-923	34	95	9
2-923	53	1	22
2-923	53	19	22
2-923	55	46	22
2-923	55	61	22
2-923	55	64	22
2-923	55	66	22
2-923	55	2	23
2-923	56	—	23
2-923	58	72	23
2-923	58	80	23
2-923	58	—	23
2-923	61	7	25
2-923	61	11	25
2-923	61	—	25
2-923	64	—	25
2-923	64	16	26
2-923	64	19	26
2-923	66	3	27
2-923	66	10	27
2-923	68	56	27
2-923	68	60	27
2-923	68	71	27
2-923	68	—	27
2-923	68	77	27
2-923	68	81	27
2-923	68	81	27
2-923	68	93	27
2-923	68	101	27
2-923	72	11	30
2-930	24	55	5
2-995	24	15	6
2-1027	58	88	23
2-1027	61	73	24
2-1096	75	4	32
2-1096	13	128	1
2-1309	38	3	12
2-1309	38	4	13
2-1354	59	39	24
2-1354	61	67	24
2-1354	64	39	26
2-1374	29	—	8

Part No.	Page	Ref. No.	Plate
2-1374	32	21	9
2-1374	75	15	32
2-1462	12	77	1
2-1462	12	92	1
2-1462	24	52	5
2-1462	26	49	6
2-1462	29	38	8
2-1462	29	—	8
2-1462	32	20	9
2-1462	43	39	14
2-1462	45	30	17
2-1462	53	6	22
2-1462	53	12	22
2-1462	56	26	23
2-1462	56	36	23
2-1462	56	—	23
2-1462	56	—	23
2-1462	58	66	23
2-1462	58	75	23
2-1462	58	79	23
2-1462	58	79	23
2-1462	59	19	24
2-1462	59	24	24
2-1462	59	27	24
2-1462	59	43	24
2-1462	59	50	24
2-1462	59	—	24
2-1462	61	18	25
2-1462	63	—	25
2-1462	66	26	27
2-1462	66	32	27
2-1462	66	38	27
2-1462	68	97	27
2-1462	70	17	28
2-1462	72	8	30
2-1462	72	30	31
2-1584	75	5	32
2-1588	75	1	32
2-1588	72	15	31
2-1616	56	—	23
2-1616	59	17	24
2-1616	66	24	27
2-1733	32	10	9
2-1733	32	16	9
2-1733	34	114	9
2-1813	30	55	8
2-1813	30	57	8
2-1813	32	53	9
2-1925	14	49	2
2-1925	29	71	7
2-1925	30	90	8
2-1925	30	90	8
2-1925	34	113	9
2-1934	32	28	9
2-1934	34	94	9
2-1934	61	8	25
2-1934	64	20	26
2-1934	68	59	27
2-1934	68	80	27
2-1945	30	100	8
2-1967	24	23	6
2-2138	24	2	6
2-2138	36	30	11
2-2138	38	29	12
2-2395	12	78	1
2-2395	16	87	2
2-2395	29	40	8
2-2395	32	7	9
2-2395	32	19	9
2-2395	32	35	9
2-2395	41	25	13

NUMERICAL INDEX—continued

C Group

Part No.	Page	Ref. No.	Plate
2-2395	56	35	23
2-2395	59	18	24
2-2395	59	25	24
2-2395	59	28	24
2-2395	59	44	24
2-2395	59	49	24
2-2395	59	61	24
2-2395	61	69	24
2-2395	61	89	24
2-2395	61	17	25
2-2395	64	—	25
2-2395	64	5	26
2-2395	64	30	26
2-2395	64	36	26
2-2395	66	41	26
2-2395	66	25	27
2-2395	66	31	27
2-2395	66	39	27
2-2395	70	18	28
2-2395	72	9	30
2-2395	75	34	32
2-2578	16	95	2
2-2578	19	83	3
2-2578	22	110	4
2-2579	16	92	2
2-2579	19	80	3
2-2579	22	112	4
2-2580	24	51	5
2-2899	70	16	29
2-2903	10	7	1
2-2903	10	7	1
2-2903	34	108	9
2-2980	58	95	23
2-2980	72	8	31
2-3718	18	59	3
2-4553	12	75	1
2-4553	13	141	1
2-4553	16	69	2
2-4553	16	71	2
2-4553	18	63	3
2-4553	19	104	3
2-4553	21	66	4
2-4553	22	97	4
3-101	64	—	25
3-110	24	12	6
3-110	27	4	7
3-110	29	6	8
3-110	34	86	9
3-812	27	6	7
3-812	29	26	8
3-1049	21	14	4
3-1088	66	44	26
3-1399	36	12	10
15-39	22	8	5
15-39	49	6	20
15-40	13	113	1
15-267	14	28	2
15-268	14	13	2
15-431	22	6	5
15-431	27	7	7
15-431	27	26	7
15-431	29	69	7
15-431	29	27	8
15-431	29	35	8
15-431	30	105	8
15-431	30	105	8
15-431	32	50	9
15-431	32	52	9
15-431	34	74	9
15-431	34	111	9
15-431	41	5	14

Part No.	Page	Ref. No.	Plate
15-431	43	25	15
15-431	45	23	16
15-431	45	3	17
15-431	47	2	19
15-431	51	32	20
15-431	53	33	21
15-447	59	54	24
15-447	64	28	26
15-480	68	104	27
15-518	58	71	23
15-541	27	21	7
15-541	29	29	8
15-645	24	28	5
15-645	64	—	25
15-716	27	22	7
15-716	27	58	7
15-716	29	70	7
15-716	29	28	8
15-716	30	76	8
15-716	30	89	8
15-716	32	51	9
15-716	34	75	9
15-716	34	112	9
15-832	70	9	28
15-848	12	96	1
15-1215	13	154	1
15-1312	32	1	9
15-1312	64	3	26
15-1355	61	16	25
15-1367	10	26	1
15-1367	13	134	1
15-1410	13	114	1
15-1485	18	39	3
15-2018	27	49	7
15-2018	68	55	27
15-2018	68	102	27
15-2018	68	—	27
15-4035	16	74	2
15-4040	16	76	2
15-4100	27	52	7
15-4100	30	72	8
15-4169	75	9A	32
15-4240	21	27	4
15-5155	16	94	2
15-5155	19	82	3
15-5155	21	79	4
15-5155	22	101	4
15-5155	22	111	4
15-5155	41	14	13
15-5155	47	33	18
15-5290	30	88	8
15-5290	43	9	15
15-5290	51	18	20
15-5290	27	62	7
15-5290	30	91	8
15-6524	12	56	1
15-6524	16	90	2
15-7072	47	18	18
15-7161	29	37	8
15-7161	59	31	24
15-7161	59	34	24
15-7161	59	41	24
15-7161	59	57	24
15-7161	70	16	28
15-7161	72	5	30
15-7354	56	28	23
15-7354	59	15	24
15-7354	64	18	26
15-7354	66	20	27
15-7354	68	78	27
15-7354	68	103	27

NUMERICAL INDEX—*continued*

C Group

Part No.	Page	Ref. No.	Plate
15-7383	75	17	32
15-7563	27	35	7
15-7563	30	46	8
15-7563	61	1	25
15-7563	72	2	31
19-6	72	27	31
19-13	72	4	31
19-57	13	120	1
19-68	72	17	31
19-81	72	3	31
19-81	72	28	31
19-181	72	20	31
19-523	75	26	32
19-531	75	12	32
19-691	75	32	32
19-707	75	11	32
19-708	75	31	32
19-1000	75	18	32
19-1011	75	18	32
19-1114	75	9	32
19-1552	72	—	31
19-1552	75	—	32
19-1644	75	24	32
19-2016	75	25	32
19-2017	75	27	32
19-2105	75	13	32
19-2113	72	7	31
19-2113	75	13	32
19-2116	75	13	32
19-2322	10	—	1
19-2323	10	—	1
19-5202	30	108	8
19-5206	30	107	8
19-5206	30	109	8
21-2889	16	78	2
21-5102	24	53	5
21-5102	26	48	6
21-5102	53	7	22
21-5102	53	13	22
21-5102	56	25	23
21-5102	56	32	23
21-5102	58	65	23
21-5102	58	74	23
21-5102	58	77	23
21-5102	58	78	23
21-5102	58	78	23
21-5102	58	81	23
21-5102	59	—	24
21-5102	64	5	26
21-5102	70	2	29
21-5102	70	8	29
21-5102	72	29	31
21-5103	24	31	5
21-5103	24	42	5
21-5103	26	62	6
21-5103	26	85	6
21-5103	47	30	18
21-5103	53	18	22
21-5103	53	21	22
21-5103	55	70	22
21-5103	56	51	23
21-5103	58	68	23
21-5103	58	—	23
21-5104	26	72	6
21-5104	32	14	9
21-5104	36	10	11
21-5104	36	31	11
21-5104	38	28	12
21-5105	24	11	6
21-5202	56	—	23
21-5202	56	44	23

Part No.	Page	Ref. No.	Plate
21-5202	56	45	23
21-5202	56	50	23
21-5401	53	15	22
21-5401	56	21	23
21-5401	56	30	23
21-5401	56	34	23
21-5401	56	38	23
21-5401	58	64	23
21-5401	58	73	23
21-5402	70	5	29
21-5403	56	28	23
21-5409	58	86	23
21-5452	72	26	31
21-5453	55	1	23
21-5454	53	2	22
21-5461	55	63	22
21-5466	55	60	22
21-5513	36	25	11
21-5611	56	—	23
21-5611	56	38	23
21-5611	58	64	23
21-5611	58	73	23
21-5612	58	87	23
21-5612	58	87	23
21-5612	70	5	29
21-5619	58	86	23
21-5619	72	33	31
21-5662	55	47	22
21-5663	55	1	23
21-5667	26	59	6
21-5668	55	—	22
21-5668	58	71	23
21-5668	58	—	23
21-5669	26	87	6
21-5671	55	63	22
21-5672	26	64	6
21-5676	55	60	22
21-5677	26	65	6
21-5720	26	81	6
21-5720	32	17	9
21-5720	38	23	12
21-5842	19	114	3
21-6172	24	19	6
21-6172	26	28	6
21-6172	29	9	8
21-6172	29	31	8
21-6172	66	17	27
21-6173	26	51	6
21-6173	53	10	22
21-6173	58	62	23
21-6173	70	11	29
24-68	16	75	2
24-102	27	36	7
24-102	30	47	8
24-225	29	37	8
24-225	32	23	9
24-389	10	2	1
24-563	13	144	1
24-563	51	8	21
24-563	58	68	23
24-732	12	71	1
24-868	21	37	4
24-898	49	24	19
24-978	12	97	1
24-978	64	40	26
24-978	75	33	32
24-2112	12	72	1
24-4065	18	7	3
24-4214	16	67	2
24-4217	18	17	3
24-4263	16	2	3

NUMERICAL INDEX—continued

C Group

Part No.	Page	Ref. No.	Plate
24-5160	24	21	6
24-5160	26	36	6
24-5160	27	16	7
24-5160	27	33	7
24-5160	29	10	8
24-5160	29	44	8
24-5160	32	44	9
24-5160	38	34	12
24-5160	41	39	13
24-5160	70	17	29
24-5860	45	20	16
24-5860	45	7	17
24-5909	24	34	5
24-5909	47	2	18
24-5914	13	149	1
24-5914	24	13	6
24-5914	26	68	6
24-5914	34	107	9
24-6040	10	42	1
24-6040	26	58	6
24-6040	27	13	7
24-6040	27	44	7
24-6040	29	19	8
24-6040	30	51	8
24-6040	34	98	9
24-6770	13	160	1
24-6770	61	—	25
24-6790	43	5	15
24-6790	43	15	15
24-7012	43	11	15
24-7012	43	35	15
24-7012	49	39	19
24-7012	49	1	20
24-7014	49	15	19
24-7014	51	21	20
24-7047	49	11	20
24-7047	51	22	20
24-7065	75	10	32
24-7122	47	5	19
24-7122	49	30	19
24-7178	19	79	3
24-7178	41	29	13
24-7800	41	6	14
24-7800	43	26	15
24-7911	51	27	20
24-8045	45	19	16
24-8045	45	8	17
24-8328	10	31	1
24-8504	55	62	22
24-8504	63	26	25
24-8784	10	30	1
24-8784	12	55	1
24-8784	13	156	1
24-8784	13	158	1
24-8784	19	110	3
24-8784	21	73	4
24-8784	24	32	5
24-8784	24	41	5
24-8784	24	20	6
24-8784	26	35	6
24-8784	26	61	6
24-8784	27	17	7
24-8784	29	11	8
24-8784	32	31	9
24-8784	32	45	9
24-8784	34	100	9
24-8784	53	20	22
24-8784	55	45	22
24-8784	55	—	22
24-8784	55	3	23
24-8784	56	—	23

Part No.	Page	Ref. No.	Plate
24-8784	56	—	23
24-8784	58	69	23
24-8784	58	—	23
24-8784	59	16	24
24-8784	66	2	27
24-8784	66	7	27
24-8784	66	11	27
24-8784	66	23	27
24-8784	66	27	27
24-8784	68	61	27
24-8784	68	69	27
24-8784	68	—	27
24-8784	68	76	27
24-8784	68	82	27
24-8784	68	84	27
24-8784	68	84	27
24-8784	68	92	27
24-8784	68	107	27
24-8784	68	57	27
24-8784	70	14	29
24-8784	72	12	30
24-8784	72	25	31
24-8928	72	7	30
24-8931	22	20	5
24-8932	22	20	5
24-8957	70	4	28
24-9569	63	68	25
24-9570	63	70	25
24-9571	63	69	25
24-9572	63	67	25
24-9573	63	64	25
25-496	10	6	1
25-496	10	6	1
26-650	22	22	5
27-279	12	73	1
27-347	16	62	2
27-1163	16	53	2
27-1366	10	25	1
27-1589	12	53	1
27-1589	16	65	2
27-4027	14	16	2
27-4033	14	17	2
27-4057	14	1	2
27-4063	14	2	2
27-4093	14	23	2
27-4099	14	24	2
27-4106	14	25	2
27-4112	14	26	2
27-4146	16	61	2
27-4258	16	55	2
27-4258	19	97	3
27-4258	21	57	4
27-4276	16	57	2
27-4290	16	59	2
27-4401	18	71	3
27-4405	22	92	4
27-4424	14	21	2
27-4429	14	22	2
27-4436	16	60	2
27-4447	14	27	2
27-5135	41	16	13
27-5156	10	34	1
27-5683	29	1	8
27-6037	13	162	1
27-6037	72	10	30
27-6260	10	20	1
27-6276	32	38	9
27-6311	53	30	21
27-6312	66	9	27
27-6716	49	5	20
27-6716	49	8	20

NUMERICAL INDEX—continued

C Group

Part No.	Page	Ref. No.	Plate	Part No.	Page	Ref. No.	Plate
27-6732	49	3	20	28-2080	43	29	14
27-6732	51	31	20	28-2080	43	9	15
27-6738	49	4	20	28-2080	45	7	16
27-6738	51	30	20	28-2080	47	16	18
27-6813	41	18	14	28-2080	49	17	19
27-6813	43	36	15	28-2338	27	48	7
27-6813	45	32	16	28-2338	30	64	8
27-6813	45	19	17	28-2338	56	—	23
27-6813	47	44	18	28-2338	59	26	24
27-6813	49	40	19	28-2338	61	16	25
27-6813	51	47	20	28-2338	66	19	27
27-6813	51	16	21	28-2338	68	94	27
27-7012	45	31	16	29-224	14	170	1
27-8059	27	3	7	29-252	10	41	1
27-8059	29	5	8	29-306	10	—	1
27-8059	30	101	8	29-307	10	—	1
27-8059	34	87	9	29-308	10	—	1
27-8560	13	121	1	29-309	10	—	1
27-8560	26	50	6	29-410	10	40	1
27-8560	29	—	8	29-541	16	77	2
27-8560	32	22	9	29-541	19	115	3
27-8560	53	5	22	29-541	36	37	11
27-8560	53	11	22	29-541	41	26	13
27-8560	53	14	22	29-541	56	31	23
27-8560	56	22	23	29-541	56	43	23
27-8560	56	27	23	29-541	56	46	23
27-8560	56	29	23	29-541	56	49	23
27-8560	56	—	23	29-541	58	76	23
27-8560	56	33	23	29-541	59	—	24
27-8560	56	—	23	29-541	59	60	24
27-8560	56	37	23	29-541	59	62	24
27-8560	56	42	23	29-541	61	70	24
27-8560	56	47	23	29-541	64	31	26
27-8560	56	48	23	29-541	64	55	26
27-8560	58	84	23	29-541	70	3	29
27-8560	58	84	23	29-541	70	9	29
27-8560	59	30	24	29-541	72	10	31
27-8560	59	35	24	29-541	75	2	32
27-8560	59	51	24	29-565	12	54	1
27-8560	61	—	24	29-776	10	12	1
27-8560	61	66	24	29-778	10	14	1
27-8560	61	18A	25	29-905	22	7	5
27-8560	64	—	25	29-925	12	79	1
27-8560	66	33	27	29-1208	13	159	1
27-8560	66	37	27	29-1920	14	—	1
27-8560	66	41	27	29-1925	58	91	23
27-8560	68	96	27	29-1934	10	24	1
27-8560	72	6	30	29-1939	10	22	1
27-8560	72	31	31	29-1941	12	59	1
27-8560	72	32	31	29-1942	12	60	1
27-8560	75	35	32	29-1950	13	132	1
28-118	13	151	1	29-1954	13	163	1
28-243	12	74	1	29-1956	13	164	1
28-243	16	70	2	29-1957	13	165	1
28-243	16	72	2	29-1961	10	—	1
28-243	18	64	3	29-1970	10	4	1
28-243	19	105	3	29-1971	12	76	1
28-243	21	65	4	29-1972	13	124	1
28-243	22	98	4	29-1973	10	—	1
28-2080	18	33	3	29-1974	12	82	1
28-2080	26	26	6	29-1975	12	82	1
28-2080	26	78	6	29-1976	12	82	1
28-2080	27	12	7	29-1977	12	84	1
28-2080	27	23	7	29-1978	12	82	1
28-2080	29	18	8	29-1979	13	118	1
28-2080	29	33	8	29-1981	13	118	1
28-2080	32	55	9	29-1983	13	126	1
28-2080	34	70	9	29-1984	13	125	1
28-2080	34	103	9	29-1985	13	123	1
28-2080	36	16	10	29-1986	12	68	1
28-2080	36	38	11	29-1988	12	69	1

NUMERICAL INDEX—continued

C Group

Part No.	Page	Ref. No.	Plate
29-1989	22	16	5
29-1990	22	15	5
29-1994	10	45	1
29-1995	13	116	1
29-1996	13	119	1
29-1997	13	117	1
29-1998	13	122	1
29-1999	12	83	1
29-2017	10	21	1
29-2023	12	81	1
29-2024	12	80	1
29-2026	13	161	1
29-2027	10	3	1
29-2028	12	59	1
29-2029	13	139	1
29-2031	12	82A	1
29-2032	10	34D	1
29-2033	10	34A	1
29-2034	12	83	1
29-2039	10	23	1
29-2053	12	81	1
29-2070	13	120	1
29-2071	13	120	1
29-2075	10	51	1
29-2076	10	51	1
29-2076	10	51	1
29-2086	13	140A	1
29-2091	13	146	1
29-2092	13	140	1
29-2109	12	58	1
29-2110	10	38	1
29-2111	12	62	1
29-2120	10	35	1
29-2121	10	37	1
29-2124	13	137	1
29-2141	12	52	1
29-2148	10	46	1
29-2159	12	60	1
29-2162	10	49	1
29-2170	10	48	1
29-2171	10	47	1
29-2180	10	43	1
29-2182	13	112	1
29-2196	10	13	1
29-2261	13	138	1
29-2262	13	131	1
29-2265	13	133	1
29-2266	13	146	1
29-2267	13	143	1
29-2268	13	147	1
29-2269	13	142	1
29-2270	13	148	1
29-2271	13	145	1
29-2276	10	16	1
29-2285	14	171	1
29-2332	12	61	1
29-2335	10	22	1
29-2544	10	24	1
29-2561	10	15	1
29-2568	14	172	1
29-2620	10	18	1
29-2623	10	17	1
29-2971	14	—	1
29-2975	61	88	24
29-2995	14	—	1
29-2998	66	45	26
29-3005	68	95	27
29-3010	58	91	23
29-3183	16	—	2
29-3184	16	—	2
29-3240	16	96	2

Part No.	Page	Ref. No.	Plate
29-3242	16	91	2
29-3243	14	7	2
29-3244	14	35	2
29-3245	16	83	2
29-3248	14	43	2
29-3250	14	29	2
29-3250	18	27	3
29-3250	21	23	4
29-3254	14	4	2
29-3255	14	4	2
29-3258	14	45	2
29-3260	14	47	2
29-3265	14	44	2
29-3265	16	97	2
29-3266	14	12	2
29-3267	16	68	2
29-3268	16	93	2
29-3269	14	37	2
29-3272	14	14	2
29-3274	14	15	2
29-3282	14	10	2
29-3284	14	9	2
29-3286	14	8	2
29-3287	16	—	2
29-3288	16	63	2
29-3289	16	50	2
29-3290	16	64	2
29-3296	16	52	2
29-3297	16	51	2
29-3298	14	42	2
29-3302	14	39	2
29-3303	14	41	2
29-3304	16	56	2
29-3307	16	66	2
29-3308	16	80	2
29-3312	14	36	2
29-3313	14	46	2
29-3314	16	—	2
29-3319	13	127	1
29-3319	16	—	2
29-3319	24	46	5
29-3319	72	14	31
29-3319	75	8	32
29-3404	14	40	2
29-3412	14	30	2
29-3432	14	3	2
29-3444	16	4	3
29-3448	19	96	3
29-3448	21	59	4
29-3449	19	98	3
29-3449	21	60	4
29-3450	16	3	3
29-3451	19	116	3
29-3455	19	81	3
29-3461	22	21	5
29-3464	22	13	5
29-3465	22	14	5
29-3466	22	18	5
29-3467	22	4	5
29-3469	22	2	5
29-3470	22	3	5
29-3471	22	19	5
29-3472	22	17	5
29-3473	22	24	5
29-3474	22	25	5
29-3475	14	48	2
29-3476	22	9	5
29-3476	22	11	5
29-3477	18	26	3
29-3571	21	52	4
29-3573	21	41	4

NUMERICAL INDEX—*continued*

C Group

Part No.	Page	Ref. No.	Plate	Part No.	Page	Ref. No.	Plate
29-3575	21	29	4	29-4101	70	15	29
29-3577	21	30	4	29-4101	72	4	30
29-3578	22	84	4	29-4102	26	32	6
29-3579	21	58	4	29-4102	29	36	8
29-3580	22	87	4	29-4103	27	15	7
29-3584	19	10	4	29-4103	27	27	7
29-3584	21	63	4	29-4103	29	22	8
29-3585	21	19	4	29-4103	29	36	8
29-3586	21	13	4	29-4103	32	42	9
29-3588	19	5	4	29-4103	32	56	9
29-3589	21	45	4	29-4103	34	72	9
29-3591	21	48	4	29-4132	30	106	8
29-3593	21	40	4	29-4181	27	65	7
29-3598	19	3	4	29-4181	30	83	8
29-3600	19	2	4	29-4181	32	27	9
29-3601	19	6	4	29-4290	29	68	7
29-3603	21	51	4	29-4290	30	104	8
29-3604	21	67	4	29-4326	34	5	10
29-3605	21	55	4	29-4327	36	11	10
29-3606	21	44	4	29-4330	36	19	10
29-3607	21	43	4	29-4365	30	63	8
29-3608	19	4	4	29-4366	30	48	8
29-3609	21	56	4	29-4367	27	38	7
29-3610	21	56	4	29-4376	27	25	7
29-3612	19	8	4	29-4376	29	34	8
29-3613	19	11	4	29-4377	30	103	8
29-3614	19	7	4	29-4378	30	103	8
29-3615	19	9	4	29-4378	27	66	7
29-3616	21	—	4	29-4379	27	28	7
29-3617	21	69	4	29-4380	27	29	7
29-3618	21	62	4	29-4380	29	25	8
29-3619	22	86	4	29-4381	27	67	7
29-3620	21	74	4	29-4382	27	64	7
29-3621	21	75	4	29-4387	30	102	8
29-3622	21	64	4	29-4405	26	27	6
29-3623	21	76	4	29-4454	24	24	6
29-3625	21	77	4	29-4458	26	38	6
29-3626	21	61	4	29-4459	34	89	9
29-3626	21	78	4	29-4461	26	30	6
29-3627	21	70	4	29-4463	29	20	8
29-3628	21	71	4	29-4465	27	14	7
29-3629	21	49	4	29-4477	24	17	6
29-3630	21	50	4	29-4477	29	24	8
29-3631	21	81	4	29-4477	66	15	27
29-3632	21	38	4	29-4481	26	33	6
29-3633	21	42	4	29-4481	26	34	6
29-3634	22	83	4	29-4486	29	17	8
29-3636	21	18	4	29-4488	27	11	7
29-3637	21	15	4	29-4498	26	30	6
29-3638	22	88	4	29-4503	66	14	27
29-3639	22	85	4	29-4522	32	—	9
29-3641	22	105	4	29-4524	32	57	9
29-3642	22	106	4	29-4539	32	43	9
29-3643	21	21	4	29-4549	32	12	9
29-3663	21	22	4	29-4559	34	92	9
29-3781	14	19	2	29-4560	34	106	9
29-3782	18	14	3	29-4561	34	116	9
29-3783	14	3	2	29-4564	32	33	9
29-3784	18	13	3	29-4568	34	119	9
29-3794	16	88	2	29-4580	26	27	6
29-3825	14	18	2	29-4657/3	32	62	9
29-3835	21	53	4	29-4657/7	63	37	25
29-3836	21	54	4	29-4661	55	52	22
29-3837	16	58	2	29-4661	63	39	25
29-3857	19	1	4	29-4661	32	59	9
29-4075	27	8	7	29-4662	32	58	9
29-4075	29	12	8	29-4662	55	53	22
29-4075	34	73	9	29-4662	63	38	25
29-4100	27	18	7	29-4664	32	65	9
29-4100	29	23	8	29-4664	55	55	22
29-4100	32	46	9	29-4664	63	34	25

NUMERICAL INDEX—*continued*

C Group

Part No.	Page	Ref. No.	Plate
29-4665	32	64	9
29-4665	63	35	25
29-4670	63	—	25
29-4671	63	30	25
29-4675	63	—	25
29-4676	63	33	25
29-4678	55	—	22
29-4679	55	57	22
29-4681	55	58	22
29-4685	55	54	22
29-4688	32	—	9
29-4689	32	63	9
29-4695	55	—	22
29-4696	55	57	22
29-4698	55	58	22
29-4764	68	105	27
29-4840	30	102	8
29-4880	30	97	8
29-4882	34	103A	9
29-4886	24	8	6
29-4887	24	4	6
29-5116	36	—	11
29-5120	36	29	11
29-5120	38	26	12
29-5124	38	—	13
29-5126	41	23	13
29-5128	41	35	13
29-5129	41	12	13
29-5132	36	21	11
29-5134	36	20	11
29-5134	36	23	11
29-5137	36	24	11
29-5138	36	18	11
29-5140	36	35	11
29-5143	36	27	11
29-5144	36	28	11
29-5146	36	—	11
29-5166	38	5	13
29-5167	41	36	13
29-5170	38	—	13
29-5171	41	22	13
29-5273	38	13	12
29-5273	41	41	13
29-5283	41	44	13
29-5286	41	40	13
29-5289	38	36	12
29-5289	41	37	13
29-5290	36	12	11
29-5290	38	22	12
29-5290	41	18	13
29-5291	36	11	11
29-5291	38	25	12
29-5291	41	17	13
29-5293	38	1	12
29-5293	38	1	13
29-5310/3	38	10	13
29-5310/7	38	9	12
29-5310/7	38	38	12
29-5310/3	38	8	12
29-5313	38	9	13
29-5315	24	14	6
29-5315	29	74	7
29-5315	32	39	9
29-5315	41	19	13
29-5320	38	7	12
29-5320	38	8	13
29-5335	38	7	13
29-5336	38	7	13
29-5337	38	7	13
29-5338	41	43	13
29-5340	38	11	12

Part No.	Page	Ref. No.	Plate
29-5342	38	37	12
29-5346	38	6	12
29-5346	38	6	13
29-5347	38	14	12
29-5347	41	42	13
29-5351	38	5	12
29-5351	38	5	13
29-5353	38	39	12
29-5353	41	36	13
29-5369	38	—	12
29-5370	38	16	12
29-5373	38	10	12
29-5374	38	12	12
29-5700	51	23	20
29-5701	49	14	20
29-5701	51	45	20
29-5702	49	9	20
29-5710	49	10	20
29-5710	51	22	20
29-5715	49	12	20
29-5715	51	43	20
29-5737	49	26	19
29-5738	49	7	20
29-5770/41	43	—	15
29-5776/3	43	31	15
29-5776/3	49	14	19
29-5776/3	51	41	20
29-5791	49	2	20
29-5825/37	43	10	15
29-5832	43	12	15
29-5832	43	8	15
29-5833	43	3	15
29-5834	43	17	15
29-5835	43	33	15
29-5836	43	34	15
29-5837	43	1	15
29-5839	43	32	15
29-5840	43	4	15
29-5840	43	16	15
29-5841	43	6	15
29-5841	43	14	15
29-5842	43	2	15
29-5842	43	21	15
29-5850	41	10	14
29-5850	43	19	15
29-5850	49	48	19
29-5850	51	38	20
29-5850	51	19	21
29-5852	43	34	14
29-5852	43	22	15
29-5852	47	9	19
29-5852	51	25	20
29-5852	51	22	21
29-5853	43	33	14
29-5853	43	18	15
29-5853	49	10	19
29-5853	51	24	20
29-5853	51	21	21
29-5856	41	9	14
29-5856	43	30	15
29-5856	49	47	19
29-5856	51	40	20
29-5856	51	23	21
29-5863	43	20	15
29-5871	43	38	14
29-5871	45	29	17
29-5905	51	39	20
29-5924/42	41	—	14
29-5928/40	41	17	14
29-5935	41	8	14
29-5940	43	13	14

NUMERICAL INDEX—continued

C Group

Part No.	Page	Ref. No.	Plate
29-5940	51	15	21
29-5958	45	—	16
29-5959	45	12	16
29-5962	45	8	16
29-5968	45	6	17
29-5968	45	18	16
29-5971	45	1	16
29-5971	45	21	17
29-5973	45	—	17
29-5976	45	17	17
29-5979	45	16	17
29-5991	51	17	21
29-5991	45	18	17
29-6110	51	28	20
29-6170/41	49	—	20
29-6181/37	51	20	20
29-6186	49	41	19
29-6186	51	46	20
29-6187	51	17	20
29-6187	49	37	19
29-6188	49	36	19
29-6188	51	16	20
29-6196	51	26	20
29-6201/41	47	—	19
29-6207	49	50	19
29-6211	49	19	19
29-6211	51	24	21
29-6216	49	11	19
29-6216	53	36	21
29-6217	47	8	19
29-6217	53	29	21
29-6221	36	15	19
29-6223	36	13	10
29-6226/37	49	16	19
29-6229	49	43	19
29-6229	51	2	21
29-6230	49	38	19
29-6230	51	1	21
29-6231	49	45	19
29-6231	51	4	21
29-6232	49	13	19
29-6232	51	6	21
29-6233	49	46	19
29-6233	51	5	21
29-6234	49	21	19
29-6234	53	26	21
29-6235	49	12	19
29-6235	49	22	19
29-6235	51	7	21
29-6235	53	27	21
29-6236	49	42	19
29-6237	51	13	21
29-6237	49	23	19
29-6238	49	28	19
29-6240	49	35	19
29-6241	47	1	19
29-6243	47	6	19
29-6243	49	29	19
29-6274	53	28	21
29-6276	51	—	21
29-6284	51	18	21
29-6310	51	14	21
29-6311	51	11	21
29-6312	51	9	21
29-6313	51	10	21
29-6319	53	35	21
29-6320	51	12	21
29-6531	66	22	27
29-6532	66	21	27
29-6532	66	30	27
29-6533	66	29	27

Part No.	Page	Ref. No.	Plate
29-6554	59	23	24
29-6564	59	33	24
29-6565	59	14	24
29-6565	59	29	24
29-6570	59	33	24
29-6573	56	—	23
29-6574	56	—	23
29-6731	68	72	27
29-6732	68	99	27
29-6733	68	99	27
29-6737	68	70	27
29-6742	68	100	27
29-6743	68	100	27
29-6760	64	27	26
29-6762	64	29	26
29-6812	58	60	23
29-6815	59	42	24
29-6817	64	26	26
29-6818	64	26	26
29-6830	58	60	23
29-6871	59	53	24
29-6875	61	68	24
29-6882	61	64	24
29-6883	61	65	24
29-6897	59	48	24
29-6902	64	27	26
29-6904	64	29	26
29-6910	64	21	26
29-6911	61	2	25
29-7025	29	39	8
29-7327	30	68	8
29-7327	32	5	9
29-7328	64	—	26
29-7360	51	35	20
29-7362	30	84	8
29-7363	30	67	8
29-7365/3	34	120	9
29-7365/7	64	7	26
29-7368	32	3	9
29-7368	64	1	26
29-7373	27	50	7
29-7373	30	69	8
29-7373	34	84	9
29-7388	30	98	8
29-7390	26	37	6
29-7392	26	39	6
29-7393	24	50	5
29-7400	32	6	9
29-7402	34	93	9
29-7403	32	4	9
29-7465	70	—	29
29-7466	70	—	29
29-7467	70	12	29
29-7468	70	13	29
29-7469	70	1	29
29-7470	70	7	29
29-7471	70	18	29
29-7474	70	6	29
29-7504	27	19	7
29-7504	30	79	8
29-7504	32	41	9
29-7529	29	4	8
29-7530	27	5	7
29-7530	29	3	8
29-7530	32	29	9
29-7531	24	33	5
29-7531	24	37	5
29-7531	27	55	7
29-7531	30	74	8
29-7531	34	81	9
29-7532	27	51	7

NUMERICAL INDEX—continued

C Group

Part No.	Page	Ref. No.	Plate
29-7532	30	71	8
29-7532	34	83	9
29-7544	30	81	8
29-7545	27	59	7
29-7545	30	80	8
29-7545	34	77	9
29-7549	29	7	8
29-7550	24	9	6
29-7550	27	37	7
29-7550	30	49	8
29-7550	34	85	9
29-7560	30	54	8
29-7564	26	70	6
29-7564	27	41	7
29-7564	30	53	8
29-7564	34	105	9
29-7565	30	94	8
29-7571	27	2	7
29-7571	32	24	9
29-7572	27	20	7
29-7572	32	40	9
29-7574	24	6	6
29-7575	24	10	6
29-7575	27	1	7
29-7575	29	2	8
29-7575	34	88	9
29-7576	26	60	6
29-7578	24	7	6
29-7580	34	—	9
29-7581	26	56A	6
29-7581	27	45	7
29-7581	30	50	8
29-7581	34	97	9
29-7583	26	71	6
29-7583	27	45A	7
29-7583	30	49A	8
29-7583	34	96	9
29-7619	72	3	30
29-7620	72	—	30
29-7621	72	1	30
29-7622	72	2	30
29-7627	72	14	30
29-7663	72	15	30
29-7664	72	3	30
29-7665	55	68	22
29-7665	72	—	30
29-7670	72	4	30
29-7764	63	25	25
29-7798/58	55	44	22
29-7802/36	63	47	25
29-7802/72	63	47	25
29-7814	55	48	22
29-7817	63	20	25
29-7898	55	43	22
29-7898	63	50	25
29-7949	61	86	24
29-7962	56	19	23
29-7962	61	83	24
29-7971	56	18	23
29-7971	56	20	23
29-7971	61	77	24
29-7971	61	82	24
29-7981	59	38	24
29-7990	59	6	24
29-7994	61	81	24
29-7996	59	8	24
29-7996	66	45	27
29-7996	68	66	27
29-7998	59	13	24
29-8096	24	45	5
29-8099	24	45	5

Part No.	Page	Ref. No.	Plate
29-8101	22	23	5
29-8102	24	26	5
29-8109	24	29	5
29-8109	24	38	5
29-8111	24	30	5
29-8112	22	26	5
29-8115	24	28A	5
29-8120	24	45	5
29-8129	56	56	23
29-8137	56	16	23
29-8139	56	17	23
29-8141	55	7	23
29-8141	55	8	23
29-8150	55	43A	22
29-8151	55	43A	22
29-8157	63	51	25
29-8158	63	51	25
29-8325	59	1	24
29-8325	64	12	26
29-8330	64	12	26
29-8335	55	4	23
29-8336	66	6	27
29-8341	56	56	23
29-8348	56	17	23
29-8350	68	63	27
29-8354	68	79	27
29-8540	55	42	22
29-8740	47	8	10
29-8760	63	62	25
29-8764	53	32	22
29-8812	53	33	22
29-8812	63	61	25
29-8813	53	34	22
29-8813	53	39	22
29-8813	63	55	25
29-8813	63	60	25
29-8814	53	—	22
29-8814	53	—	22
29-8814	63	—	25
29-8814	63	—	25
29-8815	53	36	22
29-8815	63	58	25
29-8818	53	—	22
29-8818	53	—	22
29-8818	63	—	25
29-8818	63	—	25
29-8827	63	57	25
29-8832	55	40	22
29-8832	63	54	25
29-8835	53	37	22
29-8840	53	36	22
29-8844	53	37	22
29-8852	63	57	25
29-9132	58	90	23
29-9132	61	87	24
29-9140	59	58	24
29-9143	64	34	26
29-9161	61	72	24
29-9164	58	89	23
29-9166	58	94	23
29-9170	68	109	27
29-9175	58	89	23
29-9221	70	11	28
29-9243	70	—	28
29-9244	70	—	28
29-9248	70	—	28
29-9252	70	3	28
29-9253	70	20	28
29-9254	70	10	28
29-9255	70	13	28
29-9256	70	2	28

C Group

Part No.	Page	Ref. No.	Plate
29-9257	70	15	28
29-9290	29	15	8
29-9291	29	14	8
29-9293	72	7	31
29-9293	75	13	32
29-9294	72	6	31
29-9295	72	6	31
29-9299	26	88	6
29-9312	58	59	23
29-9314	59	45	24
29-9317	47	45	18
29-9331	75	30	32
29-9341	75	20	32
29-9349	72	22	31
29-9349	75	27	32
29-9355	72	24	31
29-9359	72	34	31
29-9361	61	13	25
29-9366	64	—	25
29-9367	63	—	25
29-9368	63	—	25
29-9371	72	1	31
29-9373	61	6	25
29-9374	61	3	25
29-9381	53	16	22
29-9384	53	9	22
29-9386	55	72	22
29-9388	61	9	25
29-9390	63	73	25
29-9393	53	—	22
29-9395	53	22	22
29-9397	63	73	25
29-9402	72	5	31
29-9404	68	86	27
29-9405	61	13	25
29-9406	64	—	25
29-9408	64	—	25
29-9420	68	87	27
29-9426	75	6	32
29-9427	51	18A	21
29-9429	61	—	25
29-9435	63	73	25
29-9436	63	—	25
30-660	63	22	25
30-729	27	60	7
30-729	30	85	8
30-729	32	26	9
30-729	34	78	9
31-106	10	36	1
31-106	10	36	1
31-108	13	135	1
31-111	13	136	1
31-222	12	88	1
31-424	16	89	2
32-194	64	17	26
33-4089	27	24	7
33-4089	29	32	8
33-4089	61	16	25
35-33	27	34	7
35-33	30	45	8
35-33	53	17	22
35-33	55	65	22
35-33	61	10	25
35-33	68	84	27
35-698	13	150	1
35-701	45	3	16
35-701	45	14	16
35-701	45	20	17
35-702	18	38	3
35-704	66	47	26
35-705	24	1	6
35-709	21	34	4

Part No.	Page	Ref. No.	Plate
35-6436	45	15	16
35-6436	45	27	17
36-382	13	168	1
36-382	26	57	6
35-382	26	86	6
36-382	27	43	7
36-382	27	47	7
36-382	30	52	8
36-382	30	65	8
36-382	34	99	9
36-382	36	32	11
36-382	38	2	12
36-382	38	31	12
36-382	38	35	12
36-382	38	2	13
36-382	41	38	13
36-382	47	32	18
36-382	55	71	22
36-382	56	52	23
36-382	58	93	23
36-382	59	3	24
36-382	59	22	24
36-382	61	4	25
36-382	61	15	25
36-382	61	—	25
36-382	64	10	26
36-382	64	14	26
36-382	64	23	26
36-3528	47	7	19
36-3528	49	33	19
36-5344	24	40	5
36-7926	36	19	11
42-3010	21	24	4
42-4591	26	90	6
42-4595	26	89	6
42-4594	26	91	6
42-7703	66	4	27
42-8020	63	43	25
42-8072	68	74	27
42-8034	63	42	25
42-8331	68	73	27
42-8334	56	19	23
42-8334	66	43	27
42-8343	56	—	23
42-8343	66	44	27
42-9009	36	33	11
42-9009	41	24	13
42-9026	70	8	28
42-9046	75	25	32
42-9061	61	12	25
45-2454	13	142	1
45-5107	38	17	12
45-5110	38	24	12
45-5112	38	15	12
65-37	13	153	1
65-42	10	44	1
65-109	13	140	1
65-113	10	33	1
65-114	10	33	1
65-208	13	152	1
65-292	30	70	8
65-292	66	5	27
65-437	10	11	1
65-438	10	10	1
65-441	10	19	1
65-443	10	16	1
65-479	10	28	1
65-554	12	65	1
65-617	12	64	1
65-691	13	115	1
65-730	10	17	1
65-2052	12	63	1

NUMERICAL INDEX—continued

C Group

Part No.	Page	Ref. No.	Plate	Part No.	Page	Ref. No.	Plate
65-2060	56	11	23	65-4465	29	16	8
65-2060	56	13	23	65-4465	34	71	9
65-2060	59	10	24	65-4465	41	32	13
65-2060	61	79	24	65-4540	27	61	7
65-2060	61	84	24	65-4541	29	72	7
64-2060	66	47	27	65-4541	32	34	9
65-2060	68	64	27	65-4727	30	99	8
65-2152	16	79	2	65-4727	34	110	9
65-2158	13	129	1	65-4734	30	59	8
65-2162	14	31	2	65-4739	30	66	8
65-2188	13	111	1	65-4741	30	60	8
65-2252	12	66	1	65-4742	30	93	8
65-2352	32	61	9	65-4742	68	106	27
65-2352	55	56	22	65-4743	27	46	7
65-2352	63	36	25	65-4755	30	97	8
65-2353	32	60	9	65-4894	30	96	8
65-2353	55	59	22	65-4917	26	69	6
65-2353	63	32	25	65-4917	34	104	9
65-2589	12	87	1	65-5295	38	1	13
65-2590	12	94	1	65-5319	36	14	11
65-2591	12	103	1	65-5319	38	20	12
65-2592	12	102	1	65-5319	41	31	13
65-2596	12	101	1	65-5320	36	17	11
65-2598	12	104	1	65-5320	38	18	12
65-2602	12	106	1	65-5320	41	34	13
65-2603	12	107	1	65-5321	36	13	11
65-2603	14	5	2	65-5321	38	21	12
65-2604	12	95	1	65-5321	41	30	13
65-2606	12	86	1	65-5331	41	20	13
65-2611	12	91	1	65-5331	38	27	12
65-2612	12	89	1	65-5332	38	30	12
65-2618	12	105	1	65-5332	41	21	13
65-2619	12	87	1	65-5333	41	15	13
65-2622	12	100	1	65-5334	41	13	13
65-2623	12	90	1	65-5390	38	11	13
65-2625	12	98	1	65-5445	41	19A	13
65-3062	21	28	4	65-5663	32	68	9
65-3296	16	81	2	65-5663	63	31	25
65-3337	19	95	3	65-5674	41	7	14
65-3354	16	82	2	65-5674	43	27	15
65-3360	18	41	3	65-5674	45	25	16
65-3361	14	33	2	65-5674	45	5	17
65-3361	18	30	3	65-5674	49	51	19
65-3361	21	25	4	65-5674	51	36	20
65-3364	16	99	2	65-5674	53	34	21
65-3364	22	108	4	65-5832	51	29	20
65-3364	24	49	5	65-5883	45	5	16
65-3375	18	67	3	65-5883	45	11	16
65-3375	22	89	4	65-5883	45	24	17
65-3377	18	65	3	65-5884	45	6	16
65-3380	18	28	3	65-5884	45	9	16
65-3381	14	35	2	65-5884	45	25	17
65-3381	14	35	2	65-5899	45	15	17
65-3381	22	109	4	65-5899	45	13	16
65-3390	22	90	4	65-5901	45	17	16
65-3390	18	68	3	65-5901	45	10	17
65-3391	18	70	3	65-5901	43	28	15
65-3391	22	96	4	65-5903	45	16	16
65-3392	18	69	3	65-5903	45	9	17
65-3392	22	95	4	65-5904	43	35	14
65-3397	14	34	2	65-5904	45	26	16
65-3397	19	84	3	65-5904	45	11	17
65-3397	22	113	4	65-5904	47	24	18
65-3403	18	36	3	65-5904	49	49	19
65-3827	24	43	5	65-5904	51	37	20
65-3827	24	44	5	65-5904	51	20	21
65-4189	24	16	6	65-5905	45	28	16
65-4189	27	63	7	65-5905	45	26	17
65-4189	30	77	8	65-5907	45	24	16
65-4189	34	91	9	65-5907	45	4	17
65-4465	24	25	6	65-5910	45	30	16
65-4465	27	10	7	65-5912	72	12	31

NUMERICAL INDEX—continued

C Group

Part No.	Page	Ref. No.	Plate
65-6274	32	2	9
65-6274	64	2	26
65-6576	56	41	23
65-6576	59	32	24
65-6576	66	34	27
65-6897	29	39	8
65-6897	32	18	9
65-8033	63	21	25
65-8034	63	23	25
65-8038	63	24	25
65-8205	55	—	22
65-8205	63	41	25
65-8206	55	50	22
65-8206	63	41	25
65-8220	63	45	25
65-8317	63	44	25
65-8420	66	49	27
65-8421	66	48	27
65-8422	55	5	23
65-8422	56	10	23
65-8422	56	12	23
65-8422	56	14	23
65-8422	59	9	24
65-8422	59	11	24
65-8422	61	75	24
65-8422	61	78	24
65-8422	61	80	24
65-8422	61	85	24
65-8422	66	46	27
65-8422	68	65	27
65-8424	66	35	27
65-8500	56	58	23
65-8500	59	36	24
65-8500	68	50	27
65-8501	63	63	25
65-8502	55	41	22
65-8502	63	53	25
65-8503	53	23	22
65-8503	63	72	25
65-8504	63	71	25
65-8505	63	65	25
65-8506	63	66	25
65-9111	75	16	32
65-9115	70	1	28
65-9130	70	22	28
65-9132	70	24	28
65-9133	70	27	28
65-9170	70	7	28
65-9179	75	14	32
65-9184	49	18	19
65-9188	51	19	20
65-9205	70	26	28
65-9228	72	13	31
65-9228	75	3	32
65-9231	72	16	31
65-9231	75	6	32
65-9240	70	25	28
65-9243	70	21	28
65-9246	70	28	28
65-9246	70	29	28
66-102	10	32	1
66-221	10	39	1
66-1682	12	109	1
66-1683	12	67	1
66-1683	13	110	1
66-1701	12	70	1
66-1705	10	1	1
66-1933	12	57	1
66-3074	18	54	3
66-3074	22	94	4
66-3250	14	6	2
66-3256	16	85	2

Part No.	Page	Ref. No.	Plate
66-3291	14	11	2
66-3415	14	38	2
66-3421	16	86	2
66-4175	34	102	9
66-4647	26	43	6
66-4707	13	166	1
66-4707	26	73	6
66-4707	30	78	8
66-4707	32	67	9
66-4707	34	3	10
66-4707	36	9	11
66-4707	63	29	25
66-4707	63	48	25
66-4707	66	43	26
66-4708	41	4	14
66-4708	43	24	15
66-4708	45	22	16
66-4708	45	2	17
66-4708	47	3	19
66-4708	51	33	20
66-4708	53	32	21
66-4902	24	35	5
66-4902	24	39	5
66-4902	27	53	7
66-4902	27	56	7
66-4902	30	73	8
66-4902	30	86	8
66-4902	34	79	9
66-4902	34	82	9
66-4903	24	36	5
66-4903	27	54	7
66-4903	30	87	8
66-4903	34	80	9
66-5524	49	25	19
66-5524	49	27	19
66-5541	49	34	19
66-5541	47	1	18
66-6266	47	9	18
66-7028	22	5	5
66-7517	24	54	5
66-7518	24	27	5
66-7518	59	20	24
66-8332	55	6	23
66-8332	56	9	23
66-8332	56	15	23
66-8332	59	5	24
66-8332	59	7	24
66-8332	59	12	24
66-8332	66	40	27
66-8332	68	54	27
66-8332	68	67	27
66-8340	61	90	24
66-8347	26	63	6
66-8347	30	46	8
66-8347	55	73	22
66-8347	58	83	23
66-8347	64	15	26
66-8348	55	—	22
66-8348	58	70	23
66-9036	70	19	28
66-9049	72	23	31
66-9049	75	28	32
66-9132	70	5	28
67-42	16	98	2
67-42	22	107	4
67-42	24	48	5
67-42	56	57	23
67-42	59	37	24
67-42	68	51	27
67-302	36	22	11
67-302	38	32	12
67-1705	18	72	3

NUMERICAL INDEX—continued

C Group

Part No.	Page	Ref. No.	Plate	Part No.	Page	Ref. No.	Plate
67-1705	...	22	...	99	...	4	...
67-1706	...	18	...	32	...	3	...
67-1706	...	22	...	103	...	4	...
67-3017	...	19	...	112	...	3	...
67-3021	...	18	...	62	...	3	...
67-3023	...	19	...	106	...	3	...
67-3024	...	19	...	78	...	3	...
67-3026	...	18	...	5	...	3	...
67-3027	...	19	...	118	...	3	...
67-3028	...	18	...	18	...	3	...
67-3031	...	19	...	113	...	3	...
67-3032	...	18	...	61	...	3	...
67-3033	...	19	...	77	...	3	...
67-3034	...	19	...	74	...	3	...
67-3034	...	21	...	80	...	4	...
67-3034	...	22	...	102	...	4	...
67-3053	...	16	...	1	...	3	...
67-3067	...	18	...	6	...	3	...
67-3073	...	18	...	8	...	3	...
67-3073	...	18	...	9	...	3	...
67-3088	...	19	...	85	...	3	...
67-3093	...	19	...	87	...	3	...
67-3099	...	19	...	86	...	3	...
67-3101	...	18	...	15	...	3	...
67-3101	...	19	...	93	...	3	...
67-3113	...	19	...	108	...	3	...
67-3116	...	19	...	117	...	3	...
67-3117	...	19	...	99	...	3	...
67-3117	...	21	...	68	...	4	...
67-3119	...	19	...	100	...	3	...
67-3120	...	19	...	103	...	3	...
67-3121	...	19	...	101	...	3	...
67-3122	...	19	...	102	...	3	...
67-3128	...	19	...	111	...	3	...
67-3130	...	18	...	—	...	3	...
67-3131	...	18	...	47	...	3	...
67-3132	...	18	...	51	...	3	...
67-3133	...	18	...	48	...	3	...
67-3134	...	18	...	52	...	3	...
67-3135	...	18	...	53	...	3	...
67-3136	...	18	...	49	...	3	...
67-3140	...	18	...	31	...	3	...
67-3143	...	18	...	44	...	3	...
67-3144	...	18	...	46	...	3	...
67-3145	...	18	...	45	...	3	...
67-3146	...	18	...	43	...	3	...
67-3147	...	18	...	34	...	3	...
67-3151	...	18	...	55	...	3	...
67-3152	...	18	...	56	...	3	...
67-3152	...	22	...	82	...	4	...
67-3153	...	19	...	75	...	3	...
67-3153	...	22	...	91	...	4	...
67-3161	...	18	...	19	...	3	...
67-3162	...	18	...	20	...	3	...
67-3162	...	21	...	16	...	4	...
67-3163	...	18	...	25	...	3	...
67-3164	...	18	...	24	...	3	...
67-3167	...	18	...	23	...	3	...
67-3168	...	18	...	22	...	3	...
67-3169	...	18	...	21	...	3	...
67-3170	...	18	...	50	...	3	...
67-3173	...	18	...	58	...	3	...
67-3174	...	18	...	60	...	3	...
67-3174	...	22	...	93	...	4	...
67-3175	...	18	...	66	...	3	...
67-3176	...	19	...	76	...	3	...
67-3176	...	22	...	104	...	4	...
67-3180	...	18	...	42	...	3	...
67-3191	...	18	...	16	...	3	...
67-3192	...	18	...	10	...	3	...
67-3194	...	19	...	91	...	3	...
67-3195	...	19	...	92	...	3	...
67-3196	...	19	...	94	...	3	...
67-3197	...	19	...	91	...	3	...
67-3198	...	19	...	90	...	3	...
67-3199	...	19	...	88	...	3	...
67-3201	...	18	...	11	...	3	...
67-3202	...	18	...	12	...	3	...
67-3203	...	19	...	89	...	3	...
67-3204	...	19	...	107	...	3	...
67-3240	...	22	...	12	...	5	...
67-3241	...	22	...	10	...	5	...
67-3249	...	22	...	1	...	5	...
67-3335	...	21	...	33	...	4	...
67-3340	...	21	...	32	...	4	...
67-3341	...	21	...	35	...	4	...
67-3342	...	21	...	36	...	4	...
67-3350	...	21	...	99	...	4	...
67-3353	...	21	...	31	...	4	...
67-3374	...	18	...	57	...	3	...
67-3376	...	18	...	57	...	3	...
67-3376	...	21	...	17	...	4	...
67-4030	...	32	...	54	...	9	...
67-4040	...	27	...	32	...	7	...
67-4040	...	29	...	43	...	8	...
67-4040	...	32	...	49	...	9	...
67-4801	...	32	...	36	...	9	...
67-4871	...	27	...	42	...	7	...
67-5561	...	45	...	2	...	16	...
67-5561	...	45	...	22	...	17	...
67-5562	...	45	...	27	...	16	...
67-5562	...	45	...	12	...	17	...
67-5563	...	45	...	4	...	16	...
67-5563	...	45	...	23	...	17	...
67-5564	...	45	...	29	...	16	...
67-5564	...	45	...	13	...	17	...
67-5565	...	45	...	10	...	16	...
67-5565	...	45	...	14	...	17	...
67-6830	...	59	...	47	...	24	...
67-6839	...	58	...	63	...	23	...
67-6839	...	64	...	24	...	26	...
67-6839	...	68	...	89	...	27	...
67-6851	...	36	...	34	...	11	...
67-6851	...	41	...	27	...	13	...
67-6851	...	59	...	46	...	24	...
67-6851	...	68	...	88	...	27	...
67-6885	...	68	...	90	...	27	...
67-8076	...	63	...	46	...	25	...
67-8313	...	68	...	108	...	27	...
67-8681	...	63	...	57	...	25	...
67-9028	...	70	...	23	...	28	...
67-9039	...	75	...	21	...	32	...
67-9057	...	75	...	19	...	32	...
67-9060	...	75	...	23	...	32	...
67-9067	...	59	...	—	...	24	...
67-9067	...	58	...	63A	...	23	...
67-9069	...	59	...	—	...	24	...
89-4283	...	26	...	31	...	6	...
89-4283	...	29	...	21	...	8	...
89-4283	...	66	...	18	...	27	...
89-8012	...	55	...	49	...	22	...
90-11	...	19	...	12	...	4	...
90-11	...	49	...	44	...	19	...
90-11	...	51	...	3	...	21	...
90-4103	...	26	...	79	...	6	...
90-4104	...	26	...	83	...	6	...
90-4105	...	26	...	55	...	6	...
90-4105	...	26	...	84	...	6	...
90-4105	...	34	...	6	...	10	...
90-4105	...	36	...	20	...	10	...
90-4110	...	26	...	53	...	6	...
90-4110	...	36	...	9	...	10	...
90-4111	...	26	...	52	...	6	...
90-4111	...	36	...	8	...	10	...

NUMERICAL INDEX—continued

C Group

Part No.	Page	Ref. No.	Plate
90-4112	26	80	6
90-4112	26	82	6
90-4112	34	1	10
90-4112	34	4	10
90-4113	26	77	6
90-4113	36	10	10
90-4115	26	54	6
90-4115	36	7	10
90-4119	26	76	6
90-4119	36	18	10
90-4120	26	75	6
90-4120	36	17	10
90-4121	26	56	6
90-4121	36	14	10
90-4232	32	25	9
90-4242	32	11	9
90-4250	32	13	9
90-4708	26	40	6
90-4716	24	5	6
90-4721	24	3	6
90-4976	55	42	22
90-4976	63	52	25
90-5028	36	26	11
90-5031	36	8	11
90-5044	36	40	11
90-5067	36	39	11
90-5068	36	3	11
90-5069	36	2	11
90-5069	36	5	11
90-5078	36	7	11
90-5079	36	6	11
90-5081	36	41	11
90-5096	36	36	11
90-5109	36	1	11
90-5110	36	4	11
90-5128	38	33	12
90-5504/3	43	31	14
90-5520	47	23	18
90-5522	47	20	18
90-5525	43	28	14
90-5525	43	32	14
90-5533	47	36	18
90-5535	41	16	14
90-5536	41	15	14
90-5537	41	14	14
90-5538	41	13	14
90-5538	43	27	14
90-5539	41	11	14
90-5539	43	25	14
90-5540	41	12	14
90-5540	43	26	14
90-5541	43	24	14
90-5543	41	21	14
90-5544	41	2	14
90-5545	43	22	14
90-5546	43	23	14
90-5546	43	36	14
90-5549	47	22	18
90-5575	41	1	14
90-5575	41	20	14
90-5584	41	19	14
90-5584	47	43	18
90-6042	47	18	8
90-6043	47	34	18
90-6050	26	74	6
90-6051	26	74	6
90-6059	47	25	18
90-6063	47	14	18
90-6063	47	40	18
90-6064	47	12	18
90-6064	47	42	18
90-6066	47	7	18

Part No.	Page	Ref. No.	Plate
90-6067	47	26	18
90-6067	47	5	18
90-6071	47	38	18
90-6072	47	10	18
90-6072	47	21	18
90-6073	47	11	18
90-6074	47	37	18
90-6075	47	13	18
90-6075	47	39	18
90-6076	47	41	18
90-6084	47	3	18
90-6084	47	28	18
90-6084	49	32	19
90-6084	49	53	19
90-6085	47	6	18
90-6085	47	29	18
90-6090	47	17	18
90-6092	47	15	18
90-6095	47	35	18
90-6096	47	31	18
90-6153/42	47	—	18
90-6155/3	47	19	18
90-6527	56	40	23
90-6528	56	24	23
90-6530	56	39	23
90-6531	56	23	23
90-6783	58	67	23
90-6784	58	82	23
90-6793	56	53	23
90-6794	58	61	23
90-6818	26	47	6
90-6839	58	61	23
90-7006	64	1	26
90-7012	66	46	26
90-8506	53	35	22
90-8506	53	38	22
90-8506	63	59	25
90-8506	63	56	25
90-8533	53	31	22
90-8536	53	29	22
90-8537	53	24	22
90-8538	53	25	22
90-8539	53	26	22
90-8540	53	27	22
90-8541	53	28	22
90-8542	53	30	22
90-9013	70	26	28
90-9018	70	3	28
90-9021	72	5	31
90-9024	72	21	31
90-9024	75	29	32
90-9060	75	22	32
90-9071	70	14	28
90-9071	70	12	28
90-9083	66	13	27
90-9096	53	8	22
90-9096	53	3	22
90-9097	53	4	22
90-9120	72	9	31
90-9124	72	19	31
90-9164	64	—	25
3/16" dia.	41	13	13
3/16" dia.	12	108	1
3/16" dia.	36	15	11
3/16" dia.	36	16	11
3/16" dia.	38	19	12
7/32" dia.	12	99	1
1/4" dia.	18	37	3
5/16" dia.	43	7	15
5/16" dia.	43	13	15
5/16" dia.	49	13	20
5/16" dia.	51	44	20

STANDARD BOLTS. All Bolts are C.E.I. unless otherwise stated.

Part No.	Length under Head.	Thickness of Head.	Length of Thread.	Across Flats.	Diameter.
2-14	1.132"	3/16"	13/16"	.440" Hex.	1/4"
2-204	1/2"	3/16"	1/2"	.440 Hex.	1/4"
2-220	3/8"	3/16"	3/8"	.440" Hex.	1/4"
2-1354	.641"	.187"	.641"	.440" Hex.	1/4"
2-1402	7/8"	1/8"	3/8"	.440" Hex.	1/4"
2-2273	7/16"	5/32"	3/8"	.440" Hex.	1/4"
24-225	.750"	.187"	3/8"	.440" Hex.	1/4"
1-5089	.625"	.187"	.625"	.525" Hex.	5/16"
2-129	.750"	.250"	.625"	.440" Hex.	5/16"
2-1934	.750"	.156"	.625"	.440" Hex.	5/16"
2-6026	1.187"	.156"	.625"	.440" Hex.	5/16"
15-480	1.109"	.250"	.781"	.525" Hex.	5/16"
15-1355	1.500"	.218"	.625"	.525" Hex.	5/16"
15-7354	.625"	.156"	.625"	.440" Hex.	5/16"
27-6311	.750"	.125"	.625"	.440" Hex.	5/16"
28-2338	.718"	.218"	.687"	.525" Hex.	5/16"
24-649	.877"	.187"	.877"	.594" Hex.	3/8"
65-4185	2.687"	.250"	.750"	.504" Hex.	3/8"

All Bolts are C.E.I. (Screwdriver slotted) unless otherwise stated.

Part No.	Length under Head.	Thickness of Head.	Length of Thread.	Across Head.	Diameter.
1-4606	.500"	.125"	.500"	.312"	3/16"
2-360	.406"	.078"	.406"	.312"	3/16"
2-498	.312"	.062"	.312"	.312"	3/16" Whit.
2-1309	.343"	.062"	.343"	.312"	3/16"
2-2582	.343"	.125"	.343"	.250"	3/16" Whit.
24-7065	.250"	.062"	.250"	.312"	3/16"
2-77	.312"	.062"	.312"	.375"	1/4"
2-79	.500"	.109"	.500"	.375"	1/4"
2-510	.656"	.093"	.375"	.375"	1/4"
2-1500	.687"	.109"	.375"	.375"	1/4"
2-2210	.718"	.062"	.562"	.562"	1/4"
2-3718	.656"	.109"	.656"	.375"	1/4"
15-7161	.500"	.125"	.312"	.500"	1/4"
2-2980	1.25"	.93"	.625"	.562"	5/16"

STANDARD NUTS. All Nuts are C.E.I. unless otherwise stated.

Part No.	Across Flats.	Thickness.	Size.	Part No.	Across Flats.	Thickness.	Size.
1-4616	.340" Hex.	.162"	3/16"	2-1813	.594" Hex.	.218"	3/8"
2-47	.312" Hex.	.140"	3/16"	3-720	.594 Hex.	.187"	3/8"
2-1588	.255" Hex.	.110"	3/16"	24-5161	.594" Hex.	.343"	3/8"
15-8147	.340" Hex.	.125"	3/16"	24-5764	.782" Hex.	.312"	3/8"
25-7151	.340" Hex.	.187"	3/16"	2-440	.594" Hex.	.312"	7/16"
1-6032	.340" Hex.	3/16"	1/4"	2-933	.525" Hex.	.375"	7/16"
2-51	.440" Hex.	.250"	1/4"	2-1925	.782" Hex.	.375"	7/16"
2-53	.440" Hex.	.109"	1/4" Whit.	15-152	.592" Hex.	.406"	7/16"
2-443	.440" Hex.	.109"	1/4"	15-541	.782" Hex.	.281"	7/16"
2-1027	.340" Hex.	1/8"	1/4"	24-5860	.594" Hex.	.187"	7/16"
2-2395	.440" Hex.	.187"	1/4"	25-4325	.919" Hex.	.540"	7/16"
2-49	.525" Hex.	.218"	5/16"	2-52	.919" Hex.	.406"	1/2"
2-833	.440" Hex.	.343"	5/16"	2-124	.782" Hex.	.203"	1/2"
2-1616	.440" Hex.	.125"	5/16"	24-7000	.782" Hex.	.250"	1/2"
15-5196	.525" Hex.	.281"	5/16"	27-6716	.782" Hex.	.187"	1/2"
15-6524	.525" Hex.	.175"	5/16"	2-835	.919" Hex.	.375"	9/16"
24-563	.440" Hex.	.187"	5/16"	15-1455	.782" Hex.	.218"	9/16"
24-6040	.525" Hex.	.156"	5/16"	24-4255	.919" Hex.	.187"	9/16"
1-1706	.594" Hex.	.250"	3/8"	28-53	.782" Hex.	.344"	9/16"
2-46	.594" Hex.	.312"	3/8"				

STANDARD WASHERS (Plain).

Part No.	Outside Dia.	Inside Dia.	Thickness.	Part No.	Outside Dia.	Inside Dia.	Thickness.
1-1804680"385"072"	2-2580500"275"064"
2-130687"380"080"	3-3525562"218"048"
2-370625"317"156"	15-39843"505"064"
2-525500"255"048"	15-431750"442"064"
2-861750"380"081"	15-5155525"328"048"
2-923625"317"062"	24-594937"505"092"
2-1096375"192"044"	24-7911875"380"156"
2-1291750"522"080"	25-7180	... 1.00"281"048"
2-1374656"255"080"	26-9461562"203"048"
2-1945875"442"064"	27-5676	... 1.00"380"092"
2-2138750"380"064"	27-8560625"255"048"

STANDARD WASHERS (Spring).

Part No.	Outer Dia.	Inside Dia.	Thickness.	Part No.	Outer Dia.	Inside Dia.	Thickness.
2-522750"390"056"	15-716937"453"064"
2-995656"380"040" double	24-978437"255"040"
2-1462593"255"040"	24-6035593"317"040" double
2-1967875"440"064"	27-6043750"437"046" double
2-2903562"406"062"	24-8784625"315"040"
3-110441"281"080"	35-33500"343"080"
3-111614"406"104"				

STANDARD WASHERS (Shakeproof).

Part No.	Outer Diameter.	Inside Diameter.	Part No.	Outer Diameter.	Inside Diameter.
29-541	... 1/2"	... 1/4"	36-399	... 11/16"	... 3/8"
29-3319	... 3/8"	... 3/16"	65-595	... 7/8"	... 1/2"
36-341	... 9/16"	... 5/16"	66-4707	... 11/16"	... 3/8"
36-382	... 9/16"	... 5/16"	66-4708	... 3/4"	... 7/16"