

BSA SPARES

**“A” MODELS
TWIN CYLINDER
500 c.c. and 650 c.c.**



1949 to 1953

MODELS

A7	.	.	500 c.c.	O.H.V.	(Rigid Frame)
A7	.	.	500 c.c.	„	(Spring Frame)
STAR TWIN			500 c.c.	„	(Spring Frame)
A10	.	.	650 c.c.	„	(Rigid Frame)
A10	.	.	650 c.c.	„	(Spring Frame)
A10 SUPER FLASH			650 c.c.	„	(Spring Frame)

CATALOGUE OF



BSA Motor Cycles

All communications relating to Spare Parts or Repairs to Motor Cycles to be addressed to B.S.A. Motor Cycles Ltd.
Service Department, Birmingham, 11

B.S.A. MOTOR CYCLES LTD.

Directors: Sir BERNARD DOCKER, K.B.E., J.P. (*Chairman*). J. LEEK, C.B.E. J. A. T. DICKINSON, O.B.E.

Registered Offices and Works - - -
Telephones: BIRMINGHAM VICTORIA 2381 (30 lines)

ARMOURY ROAD, BIRMINGHAM, 11
Telegrams and Cables: "SELMOTO, BIRMINGHAM"

Service, Spares and Repairs Department

Telephone: VICTORIA 2234 (6 lines)
Telegrams and Cables: "SELSERV, BIRMINGHAM"

Contractors to Her Majesty's Government, the War Office, the Admiralty, the Post Office, the Colonial and Foreign Governments



**SUFFIX NUMBERS TO BE USED TO IDENTIFY VARYING FINISHES FOR
'A' GROUP MOTOR CYCLES**

/001	Cadmium
/003	Bright Chrome
/007	Black Enamel
/017	Chrome Plate, Black Lined Gold
/019	Chrome Plate, Matt Silver Lined Red
/021	Polished Aluminium
/024	Polychromatic Silver Beige
/026	Chrome Plate and Silver Beige Lined Red
/036	Maroon and Chrome Lined Gold
/037	Maroon only
/038	Metallic Green and Chrome Plate Lined Dark Green
/039	Metallic Green
/040	Dark Green
/041	Chrome Rim and Maroon Hub
/042	Chrome Rim and Dark Green Hub
/043	Chrome Rim and Beige Hub
/044	Chrome Rim and Black Hub

When ordering components with varying finishes, i.e., Petrol Tanks, Wheels, Rims, Brake Rods, Front Fork Oil Seal Holder — please state finish required by adding the appropriate suffix number to part number.

EXAMPLE. Petrol Tank

Metallic Green and Chrome Plate Lined Dark Green — 67 - 8104/038

SPARKING PLUGS

Champion Sparking Plugs Ltd., Feltham, Middlesex

ELECTRICAL EQUIPMENT

J. Lucas Ltd., Great King Street, Birmingham

SPEEDOMETERS

Smith's Motor Accessories, Cricklewood Works, London

SPARES

Please carry out the following in order to ensure prompt attention and correct execution of orders:

When ordering parts the frame and engine numbers must be quoted. The former will be found stamped on the seat or the head tube lug, and the latter on the nearside of the crankcase immediately below the cylinder base. It is essential that the component numbers of the parts required be clearly stated.

IMPORTANT.—In quoting engine and frame numbers the full numbers including prefix letters, **MUST BE GIVEN.**

B.S.A. Motor Cycles Ltd. reserve the right to alter the designs or any constructional details of their manufactures at any time without giving notice.

COPY OF B.S.A. MOTOR CYCLE SPARE PARTS GUARANTEE

We give the following guarantee with B.S.A. Motor Cycle Spare Parts, instead of the guarantee implied by statute or otherwise, as to the quality or fitness of such parts for the purpose for which they are intended, any such implied guarantee being in all cases excluded, nor can any claim for consequential damages be entertained.

WE GUARANTEE, subject to the conditions mentioned below, that all precautions which are usual and reasonable have been taken by us to secure excellence of materials and workmanship, but this guarantee is to extend and be in force for six months only from the date of purchase, and the damages for which we make ourselves responsible under this guarantee are limited to the replacement of any part which may have proved defective.

WE UNDERTAKE, subject to the conditions mentioned below, to make good at any time within six months any defects in these respects. As motor cycles are easily liable to derangement by neglect or misuse, this guarantee does not apply to defects caused by wear and tear, misuse, or neglect. The term 'misuse' shall include among others the following acts: The attaching of a sidecar to the motor cycle in such a manner as to cause damage or calculated to render the latter unsafe when ridden; the use of a motor cycle or a motor cycle and sidecar combined when carrying more persons or a greater weight than they were designed to bear.

CONDITIONS OF GUARANTEE

We do not guarantee the specialities of other firms, such as tyres, electrical equipment, saddles, etc. or any component part supplied to the order of the purchaser differing from our standard specifications, whether supplied with our motor cycles or otherwise.

B.S.A. OVERSEAS DISTRIBUTORS

ABYSSINIA ..	Arabian Trading Co., (P.O. Box 23), 155, Cunningham St., Addis Ababa.
ADEN ..	Arabian Trading Co., Esplanade.
ALGERIA ..	Fernand Seyfried, 61, Rue de Lyon, Alger.
ANGOLA ..	Casa Americana Ltda., Caixa Postal 1208, Luanda.
ARGENTINA ..	Ditlevsen & Cia. Ltda., Av. Ingeniero. Huergo 1335, Buenos Aires.
AUSTRALIA	
South Australia ..	J. N. Taylor & Co., 121/5, Grenfell St., Adelaide.
Victoria ..	Finlay Bros. (Pty.) Ltd., 316/20, Elizabeth St., Melbourne, C.I.
West Australia ..	Mortlock Bros., 914, Hay Street, Perth.
N.S.W. ..	Bennett & Wood (Pty.) Ltd., Cor. Bathurst and Pitt Sts., Sydney.
Tasmania ..	Sim King (Pty.) Ltd., 63, Brisbane St., Launceston.
AUSTRIA ..	A.u.R. Hinteregger, Johnstrasse 31, Vienna XV.
AZORES ..	Hayes & Travell Ltd., P.O. Box 56, Ponta Delgada, St. Michael's.
BAHAMAS ..	Nassau Bicycle Co., P.O. Box 191, Nassau.
BAHRAIN ..	S. Muljee, Manama, Bahrain Islands, Persian Gulf.
BARBADOS ..	Redman & Taylors Garage Ltd., P.O. Box 269, Bridgetown.
BELGIAN CONGO	
Albertville ..	Tanganyika Trading Co., P.O. Box 189.
Costermansville ..	Capelluto Touriel & Co., P.O. Box 542.
Coquilhatville ..	Solbena S.C.R.L., P.O. Box, 624 Leopoldville.
Elisabethville ..	La Sima, P.O. Box 671.
Leopoldville ..	Solbena S.C.R.L., P.O. Box 624.
Ruanda-Urundi ..	Capelluto Touriel & Co., P.O. Box 501, Usumbura.
Stanleyville ..	Nassers Trading Co. Ltd., P.O. Box 71.
BELGIUM ..	Famo S.A., 571, Grande Chaussée, Berchem, Antwerp.
BERMUDA ..	Holmes, Williams & Purvey, Ltd., P.O. Box 444, Pembroke.
BOLIVIA ..	Gibbs Williamson (Bolivia) Ltda., Casilla 957, La Paz.
BORNEO	
Br. N. Borneo ..	Harrisons & Crosfield (Borneo) Ltd., Import Dept., Jesselton.
Sarawak ..	The Borneo Co. Ltd., Thomson Road, Kuching.
BRAZIL ..	Mesbla S.A., Rua de Passeio 48/54, Rio de Janeiro.
BRITISH E. AFRICA	
Kenya ..	Bedford, E. A. Ltd. (George Edwards), P.O. Box 1658, Nairobi.
Tanganyika ..	International Motor Mart, P.O. Box 409, Dar-es-Salaam.
Uganda ..	The Uganda Co. (Africa) Ltd., P.O. Box 1, Kampala.
Nyasaland ..	African Lakes Corp. Ltd., Mandala, Blantyre.
Zanzibar ..	Musa Jusabani, P.O. Box 366, Zanzibar.
BRITISH GUIANA	Bookers Stores Ltd., 49/53, Water St., Georgetown.
BRITISH HONDURAS	C. Melhado & Sons, Belize.
BRITISH SOMALILAND	Arabian Trading Co., Berbera.
BRITISH W. AFRICA	
Gambia ..	Cie. F.A.O., Bathurst.
Gold Coast ..	Cie. F.A.O., P.O. Box 70, Accra.
Nigeria ..	Cie. F.A.O., P.O. Box 160, Lagos.
Sierra Leone ..	Cie. F.A.O., Freetown.
BRITISH W. INDIES	
Antigua ..	Stephen R. Mendes Ltd., Colonial House, 18, Thames St., St. John's.
Dominica ..	A. C. Shillingford & Co., The Garage, Roseau.
St. Kitts ..	J. W. Thurston & Co. Ltd., Fort St., Basseterre.
St. Lucia ..	Peter & Co., Castries.
Montserrat ..	M. S. Osborne, Trescellian House.
Nevis ..	J. W. Thurston & Co. Ltd., Fort St., Basseterre, St. Kitts.
St. Vincent ..	The Caribbean Trading Co., P.O. Box 27, Kingstown.
BURMA ..	U.B. Trading Corporation, 187, Phayre St., Rangoon.
CANADA	
British Columbia	Fred Deeley Ltd., 606, E. Broadway Ave., Vancouver.
Newfoundland ..	Edwin Murray Ltd., 256, Water St., St. John's.
Nova Scotia ..	British Car Sales Ltd., Cor. North Park & Cornwallis Sts., Halifax.
Ontario ..	Brown's Sports & Cycle Co. Ltd., 343, Yonge St., Toronto.
Quebec ..	Arlington Cycle & Sports Ltd., 1194, University St., Montreal.
Saskatchewan ..	Nicholson Bros., 245, Second Ave. North, Saskatoon.
CANARY ISLANDS	J. Gonzales Suarez, (Apartado No. 9), Nicholas Estevañez 4, Las Palmas.
CEYLON ..	Cargills (Ceylon) Ltd., Fort, Colombo.
CHILE ..	Williamson Balfour & Co., S.A., Blanco 759, Valparaiso.
CHINA ..	Dong Chong & Son, 367, Yunnan Rd., Shanghai.
COOK ISLANDS	W. H. Watson, Raratonga.
COLOMBIA ..	Tracey & Co. S.A., Apartado 1196, Bogota.
COSTA RICA ..	Tiberio Paganella, Ciclo Sport La Casa del Ciclista, Apartado 2321, San Jose.
CUBA ..	Isidro Rodriguez, P.O. Box 62, Matanzas.
CYPRUS ..	B. C. Petrides & Co., P.O. Box 91, Nicosia.
CYRENAICA ..	Mackenzie Metcalfe & Co., P.O. Box 81, Benghazi.
DENMARK ..	B.S.A. Motors & Cycles (H. V. Hansen), Vesterbrogade 101, Copenhagen. Friis-Hansen, 7, Osteralle, Copenhagen.
DOMINICAN REPUBLIC	General Sales Co. C-por-a, Calle Mercedes 98/100, Esq. Hostos, Ciudad Trujillo.
DUTCH GUIANA	The New Motor Supply & Importing Co. (P.O. Box 422), Watermolen St., Paramaribo.
ECUADOR ..	Soc. Com. Anglo-Ecuatoriana Lda. S.A., Apartado 410, Guayaquil.
EIRE ..	Huet Bros. Ltd., 7 & 8, Bachelor's Walk, Dublin, C.9.

EGYPT	T. W. M. Forsyth, 7 Sharia Maspero, Cairo.	INDIA (continued)	Peary Lal & Sons Ltd., Queens Way, New Delhi.
ERITREA	Arabian Trading Co., Asmara.		Peary Lal & Co. (E. Punjab) Ltd., Kashmere Gate, Delhi.
FALKLAND ISLANDS	McAtasney & Sedgwick, Falkland Store, Stanley.	INDONESIA ..	Handelmaatschappij L. Platon N.V., Postrommel Dak 776, Djakarta-Kota.
FAROE ISLES ..	Havgrimmur Johannessen, Torshavn.	IRAN	H. Mohammed Tavakolipoor, Ave. Boozarjomehri, Tehran.
FIJI	Morris Hedstrom Ltd., Suva.	IRAQ	E. M. Hakkak & Sons, Ltd., P.O. Box No. 16, Baghdad.
FINLAND ..	S. & N. Osakeyhtio, Aleksanterinkatu 21A, Helsinki.	ISLE OF REUNION	Movea S.A., 79 Avenue de la Grande Armée, Paris XVIe, France.
FRANCE	Movea S.A., 79, Ave. de la Grande Armée, Paris XVIe.	ISRAEL	S. Gousman & Son, 16, Hakishon St., Tel-Aviv.
FRENCH EQ. AFRICA		ITALIAN SOMALILAND	
French Guinea ..	Cie. du Niger Français, Conakry.		Arabian Trading Co., Esplanade, Aden.
French Sudan ..	Cie. du Niger Français, Bamako.	ITALY	A. di Palma, Via Cenisio 4, Milan.
Senegal	Nouvelle Societé Commerciale Africaine, 31 Boulevard Pinet-Laprade, Dakar.	JAMAICA ..	B.S.A. Agency Ltd., 9, King St., Kingston.
FRENCH INDO CHINA		JAPAN	Balcom Trading Co. Inc., Japan Red Cross Bldg. Annexe, 5-1, Shiba Park, Minatu-Ku, Tokio.
	Movea S.A., 79, Ave. de la Grande Armée, Paris XVIe, France.	KUWAIT ..	Abdul Kahman Albisher & Zaid Alkazemi, Kuwait, Persian Gulf.
FRENCH MOROCCO		LIBERIA ..	Cie. F.A.O., Monrovia.
	African and Eastern (Near East) Ltd., P.O. Box 519, Casablanca.	LUXEMBOURG ..	Famo S.A., 571 Grande Chaussée, Berchem, Antwerp, Belgium.
FRENCH SOMALILAND		MADAGASCAR ..	Movea, S.A., 79 Ave. de la Grande Armée, Paris XVIe, France.
	Arabian Trading Co., Djibouti.	MADEIRA ..	A. Gomez Loja, P.O. Box 52, Funchal.
FRENCH W. AFRICA		MALAYA ..	Cycle & Carriage Co. (1926), Ltd., (P.O. Box 142), Orchard Road, Singapore.
Dahomey ..	Cie. F.A.O., Service Autos, Cotonou.		Cycle & Carriage Co. (1926), Ltd., P.O. Box 709, Kuala Lumpur.
French Camerouns	Cie. F.A.O., Duala.	MALTA ..	G. Anastasi, 27 and 35 opp. St. John's Church, Valletta.
Ivory Coast ..	Cie. F.A.O., Abidjan.	MAURITIUS ..	Lising & Co., 32, Royal St., Port Louis.
GERMANY ..	Ubersee Motor Import, G.M.B.H., Kari Rudolf Strasse 163, Düsseldorf.	MEXICO ..	Watson Phillips & Cia. Succs. S.A., Apartado Postal No.67, Mexico 6 D.F. Alejandro Dominguez, Calle 60, Num. 536, Merida, Yucatan.
GIBRALTAR ..	F. J. Bado, 16, Main Street.	NETHERLANDS ANTILLES (D.W.I.)	Caribbean Sales (P.B. Box 43), Noordstraat No. 543, Oranjestad, Aruba. Caribbean Sales, P.O. Box 135, Willemstad, Curacao.
GILBERT and ELLICE ISLANDS		NEW CALEDONIA	Agence Automobile, Avenues de Maréchal Foch et de la Victoire, Nouméa.
	Morris Hedstrom Ltd., Apia, Samoa.	NEW GUINEA ..	J. L. Doe, Wau Transport, Wau.
GREECE	D. F. Papoutsas, 56, Chalcocondillis St., Athens.	NEW ZEALAND	Skeates & White Ltd., 48, Fort St., Auckland, C.1.
GRENADA ..	Glean's Garage, St. Patrick's.	NICARAGUA ..	J. A. Estrada & Cia. Ltda. (Apartado No. 11), Avenida Roosevelt, Managua.
GUADELOUPE ..	Maison F. D'Alexis, 44, Rue Frebault, Pointe-à-Pitre.	NORWAY ..	Erling Sande, Grubbegaten 2/4, Oslo.
GUATEMALA ..	H. J. Nicol & Co. S.C., 8A Avenida Sur No. 109, Guatemala City.	PAKISTAN ..	Shahnawaz Ltd. (P.O. Box 655), Victoria Rd., Karachi.
HADRAMUT ..	Arabian Trading Co., Esplanade, Aden.		Crescent Cycle & Motor Co., 161, Nawabpur Rd., Dacca, E. Pakistan.
HAITI	Valles & Bajoux, Grande Rue 185, (P.O. Box 856), Port-au-Prince.	PANAMA ..	Panamusica S.A., P.O. Box 3227, Panama.
HAWAII ISLANDS	Schubert's Cyclery Stores (P.O. Box 3443), Cor. Archer and South King Sts., Honolulu, Hawaii.	PARAGUAY ..	J. & F. Perez, 14 de Mayo Pte. Franco, Asuncion.
HOLLAND ..	Hart Nibbrig & Greece N.V., Parkstraat 91A, The Hague.	PERU	Milne & Co. S.A., Apartado 684, Lima.
HONDURAS ..	M. Liebers, Apartado 51, Tegucigalpa, D.C.	PHILLIPINES ..	Campos Rueda & Sons, 421/7, Juan Islands, Manilla.
HONG KONG ..	British Bicycle Co., 16, Hennessy Rd.		
ICELAND ..	Falkinn Ltd., P.O. Box 997, Reykjavik.		
INDIA	Noble Cycle & Motor Co., 225, Hornby Road, Fort, Bombay. Bentinck Cycle Co., 1/2 Chowringhee Rd., Calcutta. Janki Dass & Sons, Jullunder. Union Co. (Motor) Ltd., Mount Rd., Madras.		

PORTO RICO ..	M. Castro Fernandez & Co., Ltd., (P.O. Box 1579), San Juan 7, Porto Rico.	SPANISH MOROCCO	Marrache & Levy, (P.O. Box 132), Casa Riera 26/28, Tangier, Tangiers.
PORTUGAL (North)	Silva Neto & Ca., Anadia.	SUDAN	Geo. Djerdjian & Sons, P.O. Box 364, Khartoum.
(South)	Stand Vidal, Travessa de S. Mamede 23/5, Lisbon.	SWEDEN	A-B. E. Fleron, Malmo.
PORTUGUESE EAST AFRICA	F. L. Simoes & Co., P.O. Box 13, Beira.	SWITZERLAND ..	Fibag, Postfach Zurich 39, Zurich. Van Leisen S.A., 34, Rue de la Syna- gogue, Geneva.
	A. A. Azevedo, P.O. Box 482, Lourenco Marques.	SYRIA and LEBANON	M. Chafik Khiami & Co., Rue el Nasr 169, Damascus, Syria.
	Gordhandas Valabhdas & Filhos, P.O. Box 34, Mozambique.	TAHITI	H. Jean Hamon, Papeete.
	J. Carvalho Furstenau, P.O. Box 27, Quelimane.	TANGIERS ..	Marrache & Levy, (P. Box 132), Casa Riera 26/28, Tangier.
PORTUGUESE GUINEA	Nunes & Irmao, C.P. 83, Bissau.	THAILAND ..	Traingle Co. Ltd., (P.O. Box 70), Asdang Rd., Bangkok.
PORTUGUESE INDIA	M.S.B. Caculo, Nova Goa.	TONGA	G. H. Jones, P.O. Box 34, Nukualofa, Tonga Islands.
RHODESIA (NORTHERN)	Alick Stuart Ltd., P.O. Box 306, Bulawayo, Southern Rhodesia.	TRINIDAD ..	Sports & Games Ltd., (P.O. Box 271), 19, Henry St., Port of Spain.
	Van Rooyen Motor Cycle Works Ltd., 124, Gray St., Bulawayo, Southern Rhodesia.	TRIPOLITANIA ..	Filli Pagani Soc. Coll., Via G. Gor- ciani 3, Filiali di Tripoli, Tripoli.
	Central African Motors Ltd., P.O. Box 1905, N'dola, Northern Rhodesia.	TUNISIA	Etabs. Jean Borg, 35, Rue de Marseille, Tunis.
	Pals Motors, P.O. Box 51, Lusaka, Northern Rhodesia.	TURKEY	Turkish Automobile Trade Co., Beyoglu Istiklal Caddesi 239, (P.O. Box 2032), Istanbul.
	Gammon Bros., P.O. Box 151, Umtali, Southern Rhodesia.	UNION OF SOUTH AFRICA	
	Umtali Cycle Co., P.O. Box 149, Umtali, Southern Rhodesia.	Cape Province ..	Robb Motors (Pty.) Ltd., 102 Strand St., Cape Town.
RHODESIA (SOUTHERN)	Alick Stuart Ltd., P.O. Box 306, Bulawayo, Southern Rhodesia.		Barnes Garage Ltd., P.O. Box 438, East London.
	Van Rooyen Motor Cycle Works Ltd., 124, Gray St., Bulawayo, Southern Rhodesia.		The Union Cycle Works, P.O. Box 442, Kimberley.
	Kimpton's (Midlands) Ltd., P.O. Box 91, Gwelo.		Sahd Bros., P.O. Box 149, Queens- town.
	Gammon Bros., P.O. Box 151, Umtali.	Natal	Mitchley Haigh Motors (Pty.) Ltd., P.O. Box 1160, Port Elizabeth.
	Car Electric Service Ltd., P.O. Box 229, Salisbury.		S. & W. Killerby, 469, Smith St., Durban.
	Johnsons Motor Supplies, 28, Pioneer St., Salisbury.		Percy Briggs (Pty.) Ltd., P.O. Box 564, Durban.
	Umtali Cycle Co., P.O. Box 149, Umtali.	Orange Free State	E. Hoehne & Co., P.O. Box 619, Bloemfontein.
SALVADOR ..	La Agencia Nacional Ltda., San Salvador.	Transvaal ..	Shimwell Bros. (Pty.), Ltd., P.O. Box 2035, Johannesburg.
SAMOA	Morris Hedstrom Ltd., Apia.	UNITED STATES OF AMERICA	
SAUDI ARABIA ..	Ebrahim Abdullah Juffali & Bros., P.O. Box 297, Jeddah.	East Coast ..	Rich Child Cycle Co. Inc., 639, Passaic Ave, Nutley 10, New Jersey.
SEYCHELLES ..	Chenard & Co., P.O. Box 5, Mahe.	West Coast ..	Hap Alzina, 3074 Broadway, Oakland 11, California.
SOLOMON ISLANDS	Morris Hedstrom Ltd., Apia, Samoa.	URUGUAY ..	Linn & Cia. S.A., Casilla Correo 1027, Montevideo.
SOUTH W. AFRICA	Terry's Motors, P.O. Box 784, Wind- hoek.	VENEZUELA ..	Agencias B.S.A. de Venezuela C.A., Peligro a Pele el Ojo 24/2, Caracas. Rafael E. Montero, Calle Soledad, 73, Maracaibo, Zulia.
SPAIN	Commercial Yacobi, Jose Antonio 45, Madrid.	YEMEN	Arabian Trading Co., Esplanade, Aden.
SPANISH GUINEA	J. Gonzalez Suarez, (Apartado No. 9), Nicholas Esteveañez 4, Las Palmas, Canary Islands.		



**OFFERS
YOU**

THE WORLD'S WIDEST RANGE

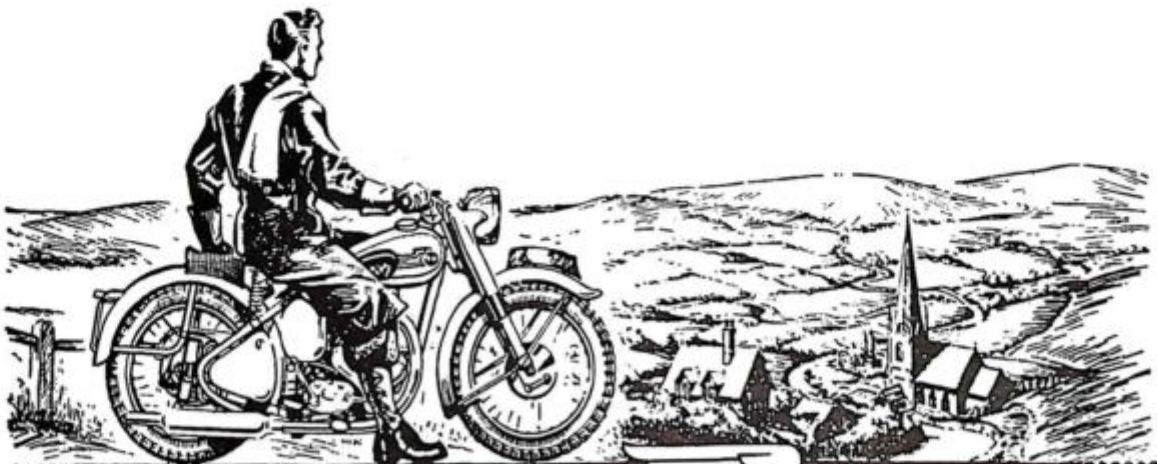
From the Bantam to the Golden Flash
There's a B.S.A. to suit your needs and pocket

THE WORLD'S FINEST VALUE

More people ride B.S.A. than any other make
Proof positive of B.S.A, value for money

THE WORLD'S BEST SERVICE

Only B.S.A. gives you complete 'On the Spot' service
in practically every country of the world



LEAVE IT TO YOUR



SPOKE SIZES—1949 to 1953

YEAR	MODEL	FRONT						REAR								
		RIM SIZE			LEFT			RIGHT			LEFT			RIGHT		
		LENGTH	GAUGE	PART NO.	LENGTH	GAUGE	PART NO.	LENGTH	GAUGE	PART NO.	LENGTH	GAUGE	PART NO.			
1949	A7 Rigid and Spring	WM2-19	8 3/8"	10	65-5872	7 1/2"	10	65-5910	WM2-19	7 3/8"	10/12	67-6008	7 3/8"	10	67-6008	
1950	A7 Rigid and Spring	WM2-19	8 3/8"	10	65-5872	7 1/2"	10	65-5910	WM2-19	7 3/8"	10	67-6008	7 3/8"	10	67-6008	
1950	A10, Star Twin Rigid and Spring	WM2-19	8 1/2"	10	67-5545	5 3/8"	10	67-5544	WM2-19	7 3/8"	10	67-6008	7 3/8"	10	67-6008	
1951	A7 Rigid and Spring	WM2-19	8 3/8"	10	65-5872	7 1/2"	10	65-5910	WM2-19	7 3/8"	10	67-6017	7 3/8"	10	67-6016	
1951	A10, Star Twin Rigid and Spring	WM2-19	8 1/2"	10	67-5545	5 3/8"	10	67-5544	WM2-19	7 3/8"	10	67-6017	7 3/8"	10	67-6016	
1952	A7 Rigid and Spring	WM2-19	8 3/8"	10	65-5872	7 1/2"	10	65-5910	WM2-19	7 3/8"	10	67-6017	7 3/8"	10	67-6016	
1952	A10, Star Twin Rigid and Spring	WM2-19	8 1/2"	10	67-5545	5 3/8"	10	67-5544	WM2-19	7 3/8"	10	67-6017	7 3/8"	10	67-6016	
1953	A7, Star Twin, A10 Rigid and Spring	WM2-19	8 3/8"	10	67-5545	5 3/8"	10	67-5544	WM2-19	7 3/8"	10	65-6303	7 3/8"	10	65-6302	
1953	A10 Super Flash	WM2-19	8 3/8"	10	67-5545	5 3/8"	10	67-5544	WM2-19	7 3/8"	10	65-6303	7 3/8"	10	65-6302	

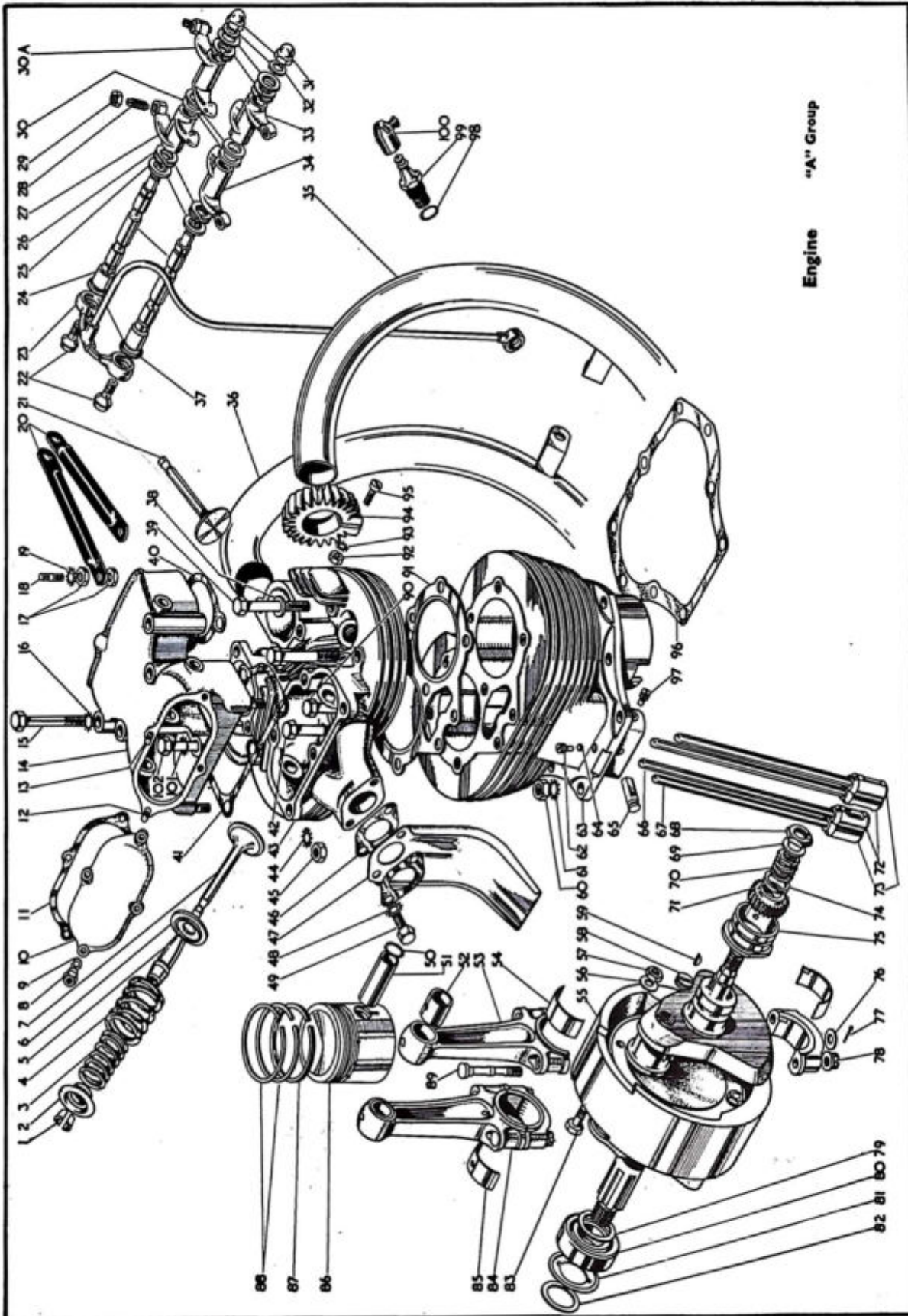
Plate 1

ENGINE—"A" GROUP

Plate Ref. Number.	Model.	Part No.	Description.	Number per set.
1	.. A7, A10 and Star Twin	.. 29-410	.. Valve spring cotter	.. 4
2	.. A7, A10 and Star Twin	.. 67-34	.. Valve spring collar	.. 4
3	.. A7, A10 and Star Twin	.. 67-440	.. Valve spring (inner)	.. 4
4	.. A7, A10 and Star Twin	.. 67-439	.. Valve spring (outer)	.. 4
5	.. A7, A10 and Star Twin	.. 67-31	.. Valve guide (exhaust)	.. 2
6	.. A7, A10 and Star Twin	.. 67-33	.. Valve spring cup (bottom)	.. 4
7	.. A7	.. 67-394	.. Valve (inlet)	.. 2
	.. A10	.. 67-323	.. Valve (inlet)	.. 2
	.. A7, Star Twin	.. 67-531	.. Valve (inlet)	.. 2
	.. A7	.. 67-29	.. Valve (inlet) (up to 1951)	.. 2
	.. Star Twin	.. 67-189	.. Valve (inlet) (up to 1951)	.. 2
8	.. A7, A10 and Star Twin	.. 65-2153	.. Rocker box inspection cover stud nut	.. 8
9	.. A7, A10 and Star Twin	.. 24-978	.. Rocker box inspection cover nut washer	.. 8
10	.. A7, A10 and Star Twin	.. 67-263	.. Rocker box inspection cover	.. 2
11	.. A7, A10 and Star Twin	.. 67-279	.. Rocker box inspection cover joint washer	.. 2
12	.. A7, A10 and Star Twin	.. 67-280	.. Rocker box inspection cover stud	.. 7
13	.. A7, A10 and Star Twin	.. 67-343	.. Rocker box cover stud	.. 1
14	.. A7, A10 and Star Twin	.. 67-259	.. Rocker box	.. 1
15	.. A7, A10 and Star Twin	.. 67-261	.. Rocker box bolt (long)	.. 4
16	.. A7, A10 and Star Twin	.. 24-8784	.. Rocker box bolt washer	.. 4
17	.. A7, A10 and Star Twin	.. 24-6040	.. Rocker box steady stay stud nut	.. 4
18	.. A7, A10 and Star Twin	.. 67-1245	.. Rocker box stud	.. 4
19	.. A7, A10 and Star Twin	.. 36-382	.. Rocker box stud nut washer	.. 2
20	.. A7, A10 and Star Twin	.. 67-346	.. Engine steady stay	.. 2
21	.. A7	.. 67-395	.. Valve (exhaust)	.. 2
	.. A10	.. 67-324	.. Valve (exhaust)	.. 2
	.. A7, Star Twin	.. 67-532	.. Valve (exhaust)	.. 2
	.. A7	.. 67-30	.. Valve (exhaust) (up to 1951)	.. 2
	.. Star Twin	.. 67-190	.. Valve (exhaust) (up to 1951)	.. 2
22	.. A7, A10 and Star Twin	.. 65-306	.. Rocker oil feed pipe banjo screw	.. 1
23	.. A7, A10 and Star Twin	.. 67-450	.. Rocker oil feed pipe complete	.. 2
24	.. A7, A10 and Star Twin	.. 67-64	.. Valve Rocker spindle	.. 2
25	.. A7, A10 and Star Twin	.. 67-61	.. Valve rocker thrust washer	.. 4
26	.. A7, A10 and Star Twin	.. 67-62	.. Valve rocker spindle washer (spring)	.. 1
27	.. A7, A10 and Star Twin	.. 67-266	.. Exhaust valve rocker (N/S)	.. 4
28	.. A7, A10 and Star Twin	.. 67-56	.. Rocker adjusting screw	.. 4
29	.. A7, A10 and Star Twin	.. 24-563	.. Rocker adjusting nut	.. 6
30	.. A7, A10 and Star Twin	.. 67-60	.. Valve rocker thrust washer	.. 1
30A	.. A7, A10 and Star Twin	.. 67-267	.. Exhaust valve rocker (O/S)	.. 2
31	.. A7, A10 and Star Twin	.. 65-311	.. Valve rocker spindle nut	.. 2
32	.. A7, A10 and Star Twin	.. 36-481	.. Valve rocker spindle washer	.. 1
33	.. A7, A10 and Star Twin	.. 67-265	.. Valve rocker (inlet) (O/S)	.. 1
34	.. A7, A10 and Star Twin	.. 67-264	.. Valve rocker (inlet) (N/S)	.. 1
35	.. A7 and Star Twin	.. 67-2675	.. Exhaust pipe (O/S)	.. 1
	.. A10	.. 67-2720	.. Exhaust pipe (O/S)	.. 1
36	.. A7 and Star Twin	.. 67-2679	.. Exhaust pipe (N/S)	.. 1
	.. A10	.. 67-2722	.. Exhaust pipe (N/S)	.. 2
37	.. A7, A10 and Star Twin	.. 15-203	.. Rocker oil feed pipe union washer	.. 9
38	.. A7, A10 and Star Twin	.. 2-2138	.. Cylinder and head bolt washer	.. 2
39	.. A7, A10 and Star Twin	.. 67-258	.. Cylinder head bolt (medium)	.. 2
40	.. A7, A10 and Star Twin	.. 67-274 217	.. Rocker box joint washer (small)	.. 1
41	.. A7, A10 and Star Twin	.. 67-278	.. Rocker box joint washer	.. 4
42	.. A7, A10 and Star Twin	.. 67-254	.. Cylinder and head bolt	.. 1
43	.. A7	.. 67-380	.. Cylinder head with fixed fittings	.. 1
	.. A7 and Star Twin	.. 67-524	.. Cylinder head with fixed fittings	.. 1
	.. A10	.. 67-250	.. Cylinder head with fixed fittings	.. 1
	.. A7	.. 67-24	.. Cylinder head with fixed fittings (up to 1951)	.. 1
	.. Star Twin	.. 67-182	.. Cylinder head with fixed fittings (up to 1951)	.. 1
44	.. A7, A10 and Star Twin	.. 36-382	.. Rocker box stud nut washer	.. 2
45	.. A7, A10 and Star Twin	.. 2-49	.. Rocker box stud nut	.. 2
46	.. A7	.. 65-1162	.. Carburetter joint washer	.. 3
	.. A10 and Star Twin	.. 65-1232	.. Carburetter joint washer	.. 3
47	.. A7 and A10	.. 67-120	.. Carburetter drip shield	.. 1
	.. Star Twin	.. 67-527	.. Carburetter drip shield	.. 1
48	.. A7, A10 and Star Twin	.. 36-382	.. Carburetter fixing bolt washer	.. 2
49	.. A7, A10 and Star Twin	.. 2-129	.. Carburetter fixing bolt	.. 2
50	.. A7 and Star Twin	.. 67-101	.. Gudgeon pin circlip	.. 4
	.. A10	.. 66-954	.. Gudgeon pin circlip	.. 4
51	.. A7 and Star Twin	.. 67-392	.. Gudgeon pin	.. 2
	.. A10	.. 65-440	.. Gudgeon pin	.. 2
52	.. A7 and Star Twin	.. 67-393	.. Gudgeon pin bush	.. 2
	.. A10	.. 67-298	.. Gudgeon pin bush	.. 2

Plate 1

ENGINE—"A" GROUP



Engine "A" Group

Plate 1—continued

ENGINE—"A" GROUP

Plate Ref. Number.	Model.	Part No.	Description.	Number per set.
53	.. A7 and Star Twin	.. 67-389	.. Connecting rod with bushes, bolts and nuts (Gearside)	.. 1
	.. A10	.. 67-268	.. Connecting rod with bushes, bolts and nuts (Gearside)	.. 1
	.. A7 and Star Twin	.. 67-228	.. Connecting rod with bushes, bolts and nuts (Gearside) (up to 1951)	.. 1
	.. A10	.. 67-268	.. Connecting rod with bushes, bolts and nuts (Gearside) (up to 1951)	.. 1
54	.. A7, A10 and Star Twin	.. 67-226	.. Connecting rod big end bush (halves)	.. 3
55	.. A7 and Star Twin	.. 67-384	.. Crankshaft and flywheel assembled	.. 1
	.. A10	.. 67-664	.. Crankshaft and flywheel assembled	.. 1
	.. A7 and Star Twin	.. 67-615	.. Crankshaft and flywheel assembled (up to 1951)	.. 1
56	.. A7, A10 and Star Twin	.. 15-5155	.. Flywheel bolt washer	.. 6
57	.. A7, A10 and Star Twin	.. 67-302	.. Flywheel bolt nut	.. 6
58	.. A7, A10 and Star Twin	.. 65-615	.. Crankshaft oil hole grub screw	.. 2
59	.. A7, A10 and Star Twin	.. 15-40	.. Crankshaft pinion gear key	.. 1
60	.. A7, A10 and Star Twin	.. 24-5160	.. Crankcase and cylinder barrel stud nut	.. 9
61	.. A7, A10 and Star Twin	.. 36-382	.. Crankcase and cylinder barrel stud washer	.. 9
62	.. A7, A10 and Star Twin	.. 67-276	.. Tappet securing screw	.. 1
63	.. A7 and Star Twin	.. 67-378	.. Cylinder barrel	.. 1
	.. A7 and Star Twin	.. 67-50	.. Cylinder barrel (up to 1951)	.. 1
	.. A10	.. 67-253	.. Cylinder barrel	.. 1
64	.. A7, A10 and Star Twin	.. $\frac{1}{4}$ in.	.. Tappet locating pin ball	.. 1
65	.. A7, A10 and Star Twin	.. 67-331	.. Tappet locating pin	.. 1
66	.. A7 and Star Twin	.. 67-398	.. Valve push rod (exhaust)	.. 2
	.. A10	.. 67-362	.. Valve push rod (exhaust)	.. 2
67	.. A7 and Star Twin	.. 67-396	.. Valve push rod (inlet)	.. 2
	.. A10	.. 67-360	.. Valve push rod (inlet)	.. 2
68	.. A7, A10 and Star Twin	.. 67-643	.. Crankshaft nut	.. 1
69	.. A7, A10 and Star Twin	.. 67-644	.. Crankshaft nut locking washer	.. 1
70	.. A7, A10 and Star Twin	.. 67-642	.. Crankshaft pump gear	.. 1
71	.. A7, A10 and Star Twin	.. 67-339	.. Crankshaft pinion	.. 1
72	.. A7, A10 and Star Twin	.. 67-333	.. Exhaust tappet	.. 2
73	.. A7, A10 and Star Twin	.. 67-332	.. Inlet tappet	.. 2
74	.. A7, A10 and Star Twin	.. 67-645	.. Crankshaft pump gear washer	.. 1
75	.. A7, A10 and Star Twin	.. 67-648	.. Crankshaft bush (Gearside)	.. 1
76	.. A7, A10 and Star Twin	.. 67-297	.. Connecting rod big end bolt washer	.. 4
77	.. A7, A10 and Star Twin	.. 35-702	.. Connecting rod bolt split pin	.. 4
78	.. A7, A10 and Star Twin	.. 67-272	.. Connecting rod bolt nut	.. 4
79	.. A7, A10 and Star Twin	.. 67-671	.. Crankshaft shim (.005in.)	.. —
		.. 67-672	.. Crankshaft shim (.010in.)	.. —
80	.. A7, A10 and Star Twin	.. 67-670	.. Crankcase roller bearing	.. 1
81	.. A7, A10 and Star Twin	.. 67-349	.. Bearing shim (Drive side)	.. 1
82	.. A7, A10 and Star Twin	.. 67-2056	.. Engine sprocket distance piece (.005in.)	.. —
		.. 67-2057	.. Engine sprocket distance piece (.010in.)	.. —
		.. 67-2058	.. Engine sprocket distance piece (.030in.)	.. —
83	.. A7, A10 and Star Twin	.. 67-301	.. Flywheel bolt	.. 6
84	.. A7 and Star Twin	.. 67-386	.. Connecting rod complete with bushes, bolts and nuts (Drive side)	.. 1
	.. A10	.. 67-317	.. Connecting rod complete with bushes, bolts and nuts (Drive side)	.. 1
	.. A7 and Star Twin	.. 67-228	.. Connecting rod complete with bushes, bolts and nuts (Drive side) (up to 1951)	.. 1
	.. A10	.. 67-268	.. Connecting rod complete with bushes, bolts and nuts (Drive side) (up to 1951)	.. 1
85	.. A7, A10 and Star Twin	.. 67-320	.. Connecting rod big end bush (drilled)	.. 1
86	.. A7	.. 67-460	.. Piston complete	.. 2
	.. A7, Star Twin	.. 67-533	.. Piston complete	.. 2
	.. A10	.. 67-423	.. Piston complete	.. 2
	.. A7	.. 67-81	.. Piston complete (up to 1951)	.. 2
	.. Star Twin	.. 67-103	.. Piston complete (up to 1951)	.. 2
	.. A10	.. 67-304	.. Piston complete (up to 1951)	.. 2
87	.. A7 and Star Twin	.. 67-410	.. Piston scraper ring	.. 2
	.. A10	.. 67-314	.. Piston scraper ring	.. 2
88	.. A7 and Star Twin	.. 67-407	.. Compression ring	.. 4
	.. A10	.. 67-311	.. Compression ring	.. 4
89	.. A7, A10 and Star Twin	.. 67-271	.. Connecting rod bolt	.. 4
90	.. A7, A10 and Star Twin	.. 67-283	.. Cylinder and head bolt (short)	.. 3
91	.. A7 and Star Twin	.. 67-382	.. Cylinder head joint washer	.. 1
	.. A10	.. 67-255	.. Cylinder head joint washer	.. 1
92	.. A7, A10 and Star Twin	.. 21-5102	.. Exhaust pipe finned collar nut	.. 2
93	.. A7, A10 and Star Twin	.. 29-541	.. Exhaust pipe finned collar nut washer	.. 2
94	.. A7, A10 and Star Twin	.. 67-2694	.. Exhaust pipe finned collar	.. 2
95	.. A7, A10 and Star Twin	.. 21-6187	.. Exhaust pipe finned collar screw	.. 2

Plate 1—continued

ENGINE—"A" GROUP

Plate Ref. Number.	Model.	Part No.	Description.	Number per set.
96 ..	A7, A10 and Star Twin	67-256	Cylinder barrel base washer	1
97 ..	A7, A10 and Star Twin	67-299	Tappet retaining screw	2
98 ..	A7, A10 and Star Twin	66-102	Sparking plug washer	2
99 ..	A7 and A10	65-114	Sparking plug	2
..	A7 and Star Twin	67-529	Sparking plug	2
100 ..	A7, A10 and Star Twin	65-213	Sparking plug cover	2
101 ..	A7, A10 and Star Twin	24-8784	Rocker box bolt washer	1
102 ..	A7, A10 and Star Twin	15-1355	Rocker box bolt	1

Plate 2

ENGINE—"A" GROUP

Plate Ref. Number	Model.	Part No.	Description.	Number per set.
1 ..	A7, A10 and Star Twin	67-1704	Primary chain cover screw (long)	1
2 ..	A7, A10 and Star Twin	67-1706	Primary chain cover screw (medium)	7
3 ..	A7, A10 and Star Twin	67-1701	Primary chain cover	1
4 ..	A7, A10 and Star Twin	67-1703	Primary chain	1
5 ..	A7 and Star Twin	67-42	Primary chain cover oil filler plug washer	1
..	A10	65-3365	Primary chain cover oil filler plug washer	1
6 ..	A7, A10 and Star Twin	65-3364	Primary chain oil filler plug	1
7 ..	A7, A10 and Star Twin	67-1705	Primary chain cover screw (short)	3
8 ..	A7, A10 and Star Twin	67-1711	Primary chain cover oil level screw	1
9 ..	A7, A10 and Star Twin	67-1709	Primary chain oil level screw washer	1
10 ..	A7, A10 and Star Twin	67-453	Crankcase with fixed fittings (D/S)	1
..	A7 and Star Twin	67-1227	Crankcase with fixed fittings (D/S) (up to 1951)	1
..	A10	67-291	Crankcase with fixed fittings (D/S) (up to 1951)	1
11 ..	A7, A10 and Star Twin	67-1292	Crankcase connecting bolt nut (top)	1
12 ..	A7, A10 and Star Twin	36-382	Crankcase connecting bolt washer (top)	1
13 ..	A7, A10 and Star Twin	67-1259	Magneto fixing nut (long)	1
14 ..	A7, A10 and Star Twin	67-1258	Magneto joint washer	1
15 ..	A7, A10 and Star Twin	24-5160	Magneto fixing nut	2
16 ..	A7, A10 and Star Twin	36-382	Magneto fixing stud washer	3
17 ..	A7, A10 and Star Twin	67-1245	Magneto fixing stud	3
18 ..	A7, A10 and Star Twin	67-350	Crankcase engine plate connecting stud	3
19 ..	A7, A10 and Star Twin	67-352	Crankcase connecting stud (front)	2
20 ..	A7, A10 and Star Twin	67-74	Crankcase connecting stud	1
21 ..	A7, A10 and Star Twin	67-1401	Oil retaining ball grub screw	1
22 ..	A7, A10 and Star Twin	67-1400	Oil retaining ball spring	1
23 ..	A7, A10 and Star Twin	in.	Oil retaining ball	1
24 ..	A7, A10 and Star Twin	67-74	Cylinder barrel fixing stud	9
25 ..	A7, A10 and Star Twin	67-686	Camshaft bush (D/S)	1
26 ..	A7 and A10	67-334	Camshaft	1
..	A7 and Star Twin	67-356	Camshaft	1
..	A7 and Star Twin	67-695	Camshaft (up to 1951)	1
27 ..	A7, A10 and Star Twin	67-686	Camshaft bush (G/S)	2
28 ..	A7, A10 and Star Twin	67-337	Camshaft driving pinion	1
29 ..	A7, A10 and Star Twin	67-686	Idler pinion bush	1
30 ..	A7, A10 and Star Twin	67-707	Idler pinion spindle	1
31 ..	A7, A10 and Star Twin	27-1386	Idler pinion key	1
32 ..	A7, A10 and Star Twin	67-335	Idler pinion complete	1
33 ..	A7, A10 and Star Twin	67-286	Idler pinion spindle bush	1
34 ..	A7, A10 and Star Twin	67-708	Idler pinion spindle oil seal	1
35 ..	A7, A10 and Star Twin	35-1896	Camshaft pinion key	1
36 ..	A7, A10 and Star Twin	67-685	Camshaft pinion lockwasher	1
37 ..	A7, A10 and Star Twin	24-7000	Camshaft pinion nut	1
38 ..	A7, A10 and Star Twin	67-134	Crankcase breather washer (cork) (1/8 in.)	-
..	..	67-135	Crankcase breather washer (cork) (1/8 in.)	-
..	..	67-136	Crankcase breather washer (cork) (1/8 in.)	-
..	..	67-137	Crankcase breather washer (cork) (1/8 in.)	-
..	..	67-158	Crankcase breather washer (cork) (.115 in.)	-
..	..	67-159	Crankcase breather washer (cork) (.135 in.)	-
..	..	67-160	Crankcase breather washer (cork) (.145 in.)	-
39 ..	A7, A10 and Star Twin	67-130	Crankcase breather	1
40 ..	A7 and A10	67-1882	Auto advance unit	1

Plate 2—continued

ENGINE—"A" GROUP

Plate Ref. Number	Model.	Part No.	Description.	Number per set.
41 ..	A7, A10 and Star Twin	67-1505	Oil release valve body plug	1
42 ..	A7, A10 and Star Twin	67-1498	Oil release valve body plug washer	1
43 ..	A7, A10 and Star Twin	67-1496	Oil release valve spring	1
44 ..	A7, A10 and Star Twin	$\frac{3}{8}$ in.	Oil release valve ball	1
45 ..	A7, A10 and Star Twin	67-1503	Oil release valve body	1
46 ..	A7, A10 and Star Twin	67-1499	Oil release valve washer (fibre)	1
	A7, A10 and Star Twin	67-1502	Oil release valve complete assembled	1
47 ..	A7, A10 and Star Twin	67-284	Timing cover (inner)	1
	A7 and Star Twin	67-142	Timing cover (inner) (up to 1951)	1
48 ..	A7, A10 and Star Twin	19-1429	Dynamo packing washer (supplied by Lucas)	1
49 ..	A7, A10 and Star Twin	67-296	Dynamo driving chain	1
50 ..	A7, A10 and Star Twin	67-727	Dynamo driven sprocket	1
51 ..	A7, A10 and Star Twin	19-1577	Dynamo sprocket washer (supplied by Lucas)	1
52 ..	A7, A10 and Star Twin	19-1473	Dynamo sprocket nut (supplied by Lucas)	1
53 ..	A7, A10 and Star Twin	35-698	Dynamo sprocket nut split pin	1
54 ..	A7, A10 and Star Twin	66-3074	Outer cover dowel	2
55 ..	A7, A10 and Star Twin	67-282	Outer timing cover joint washer	1
56 ..	A7, A10 and Star Twin	67-287	Timing cover (outer)	1
	A7	67-146	Timing cover (outer) (up to 1951)	1
	Star Twin	67-157	Timing cover (outer) (up to 1951)	1
57 ..	A7, A10 and Star Twin	67-133	Outer timing cover screw	3
58 ..	A7, A10 and Star Twin	67-132	Outer timing cover screw (long)	4
59 ..	A7, A10 and Star Twin	65-3063	Outer timing cover screw	5
60 ..	A7, A10 and Star Twin	2-449	Dynamo driving sprocket nut	1
61 ..	A7, A10 and Star Twin	35-4224	Dynamo driving sprocket lockwasher	1
62 ..	A7, A10 and Star Twin	67-721	Dynamo driving sprocket	1
63 ..	A7, A10 and Star Twin	67-133	Inner timing cover screw	4
	A7, A10 and Star Twin	67-1381	Oil pump complete	1
64 ..	A7, A10 and Star Twin	67-1390	Oil pump driving spindle spring ring	1
65 ..	A7, A10 and Star Twin	2-3525	Oil pump driving spindle washer	1
66 ..	A7, A10 and Star Twin	67-1389	Oil pump driving spindle	1
67 ..	A7, A10 and Star Twin	67-1388	Oil pump driving spindle housing	1
68 ..	A7, A10 and Star Twin	67-1383	Oil pump feed gear (Driver)	1
69 ..	A7, A10 and Star Twin	67-1384	Oil pump feed gear (Driven)	1
70 ..	A7, A10 and Star Twin	67-1382	Oil pump body	1
71 ..	A7, A10 and Star Twin	2-51	Oil pump end fixing nut	3
72 ..	A7, A10 and Star Twin	29-541	Oil pump end fixing nut washer	3
73 ..	A7, A10 and Star Twin	67-340	Scavenge pipe complete	1
74 ..	A7, A10 and Star Twin	31-222	Scavenge cover fixing stud	4
75 ..	A7, A10 and Star Twin	67-1288	Scavenge cover joint washer	1
76 ..	A7, A10 and Star Twin	67-1285	Scavenge cover complete	1
77 ..	A7, A10 and Star Twin	29-541	Scavenge cover fixing nut washer	4
78 ..	A7, A10 and Star Twin	2-51	Scavenge cover fixing stud nut	4
79 ..	A7, A10 and Star Twin	67-1280	Scavenge pipe fixing bolt	1
80 ..	A7, A10 and Star Twin	67-1281	Scavenge pipe fixing bolt lockwasher	1
81 ..	A7, A10 and Star Twin	67-1391	Oil pump end plate	1
82 ..	A7, A10 and Star Twin	67-1392	Oil pump end screw	4
83 ..	A7, A10 and Star Twin	67-1466	Oil pipe union joint washer	1
85 ..	A7, A10 and Star Twin	67-1461	Oil pipe union with pipes	1
86 ..	A7, A10 and Star Twin	66-4707	Oil pipe union fixing bolt washer	1
87 ..	A7, A10 and Star Twin	67-1467	Oil pipe union fixing bolt	1
88 ..	A7, A10 and Star Twin	67-2053	Cush drive bearing	1
89 ..	A7, A10 and Star Twin	67-2050	Engine sprocket with sleeve and key	1
90 ..	A7, A10 and Star Twin	67-2055	Cush drive sliding sleeve	1
91 ..	A7, A10 and Star Twin	67-2062	Cush drive spring	1
92 ..	A7, A10 and Star Twin	67-2054	Cush drive bearing nut	1
93 ..	A7, A10 and Star Twin	35-709	Cush drive bearing nut split pin	1
94 ..	A7, A10 and Star Twin	67-1266	Primary chain tensioner adjuster nut	1
95 ..	A7, A10 and Star Twin	67-1268	Primary chain tensioner adjuster screw	1
96 ..	A7, A10 and Star Twin	67-1261	Primary chain tensioner	1
97 ..	A7, A10 and Star Twin	66-3074	Crankcase and primary chain cover dowel	2
98 ..	A7, A10 and Star Twin	67-1702	Primary chain cover joint washer	1
99 ..	A7, A10 and Star Twin	67-1710	Primary chain cover and bottom chainguard screw nut	1
100 ..	A7, A10 and Star Twin	67-1244	Crankcase oil flinger rivet	3
101 ..	A7, A10 and Star Twin	67-1243	Crankcase oil seal washer	1
102 ..	A7, A10 and Star Twin	67-1242	Crankcase oil seal	1
103 ..	A7, A10 and Star Twin	67-1241	Crankcase oil flinger	1
104 ..	A7, A10 and Star Twin	25-7151	Breather pipe clip bolt nut	1
105 ..	A7, A10 and Star Twin	67-923	Breather pipe clip	1
106 ..	A7, A10 and Star Twin	1-4606	Breather pipe clip screw	1
107 ..	A7, A10 and Star Twin	67-922	Breather pipe	1
108 ..	A7, A10 and Star Twin	67-1263	Primary chain tensioner spring plate	1

Plate 2—continued

ENGINE—"A" GROUP

Plate Ref. Number	Model	Part No.	Description.	Number per set.
109	.. A7, A10 and Star Twin	.. 2-923	.. Primary chain tensioner stud washer 2
110	.. A7, A10 and Star Twin	.. 67-1264	.. Primary chain tensioner stud nut 2
111	.. A7, A10 and Star Twin	.. 65-8038	.. Primary chain tensioner stud nut locking wire 1
112	.. A7, A10 and Star Twin	.. 67-1235	.. Crankcase connecting stud (Gearbox housing) 2
113	.. A7, A10 and Star Twin	.. 29-4101	.. Crankcase connecting stud (bottom, rear) 1
114	.. A7, A10 and Star Twin	.. 67-1467	.. Gearbox fixing bolt (crankcase top fixing) 2
115	.. A7, A10 and Star Twin	.. 67-1262	.. Primary chain tensioner stud 2
116	.. A7, A10 and Star Twin	.. 36-382	.. Crankcase connecting stud washer 13
117	.. A7, A10 and Star Twin	.. 2-49	.. Crankcase connecting stud nut 13
118	.. A7, A10 and Star Twin	.. 67-455	.. Crankcase with fixed fittings (G/S) 1
	.. A7 and Star Twin	.. 67-1231	.. Crankcase with fixed fittings (G/S) (up to 1951) 1
	.. A10	.. 67-293	.. Crankcase with fixed fittings (G/S) (up to 1951) 1
119	.. A7, A10 and Star Twin	.. 66-4707	.. Crankcase and gearbox stud nut washer 4
120	.. A7, A10 and Star Twin	.. 21-5104	.. Crankcase and gearbox stud nut 2
121	.. A7, A10 and Star Twin	.. 67-1387	.. Oil pump scavenge gear spindle 1
122	.. A7, A10 and Star Twin	.. 67-1386	.. Oil pump scavenge gear (Driven) 1
123	.. A7, A10 and Star Twin	.. 67-1385	.. Oil pump scavenge gear (Driver) 1
124	.. A7, A10 and Star Twin	.. 67-1393	.. Oil pump body joint washer 1
125	.. A7, A10 and Star Twin	.. 35-4005	.. Gearbox fixing stud (crankcase bottom fixing) 2
126	.. A7, A10 and Star Twin	.. 67-1394	.. Oil pump end joint washer (small) 1
127	.. A7, A10 and Star Twin	.. 67-1395	.. Oil pump fixing stud (long) 2
128	.. A7, A10 and Star Twin	.. 67-1396	.. Oil pump fixing stud (short) 1
129	.. A7, A10 and Star Twin	.. 67-281	.. Inner timing cover joint washer 1
130	.. A7, A10 and Star Twin	.. 27-1589	.. Crankcase and inner timing cover dowel 2
131	.. A7, A10 and Star Twin	.. 67-353	.. Dynamo strap stud 2
132	.. A7, A10 and Star Twin	.. 29-2203	.. Dynamo strap eyebolt 1
133	.. A7, A10 and Star Twin	.. 65-2352	.. Dynamo strap plug 1
134	.. A7, A10 and Star Twin	.. 67-1876	.. Dynamo strap 1
135	.. A7, A10 and Star Twin	.. 29-4662	.. Dynamo strap saddle washer 1
136	.. A7, A10 and Star Twin	.. 2-833	.. Dynamo strap eyebolt nut 1
137	.. A7, A10 and Star Twin	.. 67-355	.. Crankcase stud (top) (rear) 1
138	.. A7, A10 and Star Twin	.. 67-1236	.. Crankcase dowel 1
139	.. A7 and Star Twin	.. 67-540	.. Magneto driving pinion 1

CARBURETTERS AND SETTINGS

MESSRS. AMALGAMATED CARBURETTERS LTD., PERRY BARR, BIRMINGHAM

	A7	A7 Star Twin	A10	A10 Super Flash
Carburettor (Type)	276EU/1DB	276FD/1DB	276ER/1DB	10.T.T.9
Choke Size (inches)	15/16	1	1 1/16	1 1/16
Jet Number	140	160	170	360
Throttle Valve Number	6/4	6/4	6/4	6
Needle Position	4	3	2	4
Needle Jet107	.107	.108	9
Engine End Size (inches)	15/16	1 1/16"	1 1/16"	1 1/16"

Plate 3

GEARBOX—"A" GROUP

Plate Ref. Number.	Model.	Part No.	Description.	Number per set.
1	A7, A10 and Star Twin	67-3014	Gearbox with fixed fittings	1
2	A7, A10 and Star Twin	67-3031	Gearbox inner cover joint washer	1
3	A7, A10 and Star Twin	67-3027	Gearbox inspection hole plug	2
4	A7, A10 and Star Twin	67-3112	Selector cam plate bearing washer	1
5	A7, A10 and Star Twin	67-3111	Selector cam plate bearing	1
6	A7, A10 and Star Twin	29-541	Selector cam plate bearing washer	2
7	A7, A10 and Star Twin	21-5842	Selector cam plate bearing screw	2
8	A7, A10 and Star Twin	67-3266	Clutch cover bolt nut	12
9	A7, A10 and Star Twin	29-3319	Clutch cover bolt nut washer	12
10	A7, A10 and Star Twin	67-3264	Clutch cover washer	1
11	A7, A10 and Star Twin	67-3263	Clutch cover	1
12	A7, A10 and Star Twin	67-3249	Clutch spring adjusting nut	6
13	A7, A10 and Star Twin	67-3247	Clutch spring	6
14	A7, A10 and Star Twin	67-3248	Clutch spring cup	6
15	A7, A10 and Star Twin	67-3245	Clutch spring plate	1
16	A7, A10 and Star Twin	67-3241	Clutch driven plate	5
17	A7, A10 and Star Twin	67-3242	Clutch driving plate	5
18	A7, A10 and Star Twin	67-3244	Clutch driving plate insert	120
19	A7, A10 and Star Twin	67-3240	Clutch driven plate (rear)	1
20	A7, A10 and Star Twin	67-3257	Clutch centre and mainshaft nut	1
21	A7, A10 and Star Twin	67-3253	Clutch centre and mainshaft nut washer	1
22	A7, A10 and Star Twin	67-3237	Clutch centre complete	1
23	A7, A10 and Star Twin	67-3271	Clutch chainwheel complete	1
24	A7, A10 and Star Twin	26-650	Clutch chainwheel rollers	18
25	A7, A10 and Star Twin	67-3276	Clutch thrust washer (.122in.-.126in.)	-
		67-3277	Clutch thrust washer (.138in.-.140in.)	-
		67-3278	Clutch thrust washer (.148in.-.150in.)	-
26	A7, A10 and Star Twin	67-3053	Gearbox sprocket nut	1
27	A7, A10 and Star Twin	24-4263	Gearbox sprocket locking washer	1
28	A7 and Star Twin	67-3064	Gearbox sprocket (18T) (Standard)	1
	A7 and Star Twin	67-3065	Gearbox sprocket (19T)	1
	A10	67-3065	Gearbox sprocket (19T) (Standard)	1
29	A7, A10 and Star Twin	65-3391	Speedometer driven gear bush nut	1
30	A7, A10 and Star Twin	65-3392	Speedometer driven gear bush washer	1
31	A7, A10 and Star Twin	65-3390	Speedometer driven gear bush	1
32	A7, A10 and Star Twin	65-3375	Speedometer driven gear thrust washer	1
33	A7, A10 and Star Twin	67-3175	Speedometer driven gear	1
34	A7, A10 and Star Twin	65-3377	Speedometer gear bush	1
35	A7, A10 and Star Twin	35-702	Clutch push rod lever nut split pin	1
36	A7, A10 and Star Twin	15-1485	Clutch push rod lever nut	1
37	A7, A10 and Star Twin	2-525	Clutch push rod lever washer	1
38	A7, A10 and Star Twin	3-720	Clutch push rod lever adjusting screw nut	1
39	A7, A10 and Star Twin	65-3403	Clutch push rod adjustment screw	1
40	A7, A10 and Star Twin	65-3360	Clutch push rod lever	1
41	A7, A10 and Star Twin	67-3180	Clutch operating lever	1
42	A7, A10 and Star Twin	67-3140	Gearchange lever spindle bush	1
43	A7, A10 and Star Twin	67-3147	Gear selector lever spindle	1
44	A7, A10 and Star Twin	67-3143	Gear selector lever	1
45	A7, A10 and Star Twin	67-3146	Selector lever return spring	2
46	A7, A10 and Star Twin	67-3145	Selector lever screw lockwasher	1
47	A7, A10 and Star Twin	67-3144	Selector lever screw	1
		67-3130	Gearchange selector arm complete	1
48	A7, A10 and Star Twin	67-3131	Gearchange selector arm only	1
49	A7, A10 and Star Twin	67-3133	Gearchange selector arm claw pivot	1
50	A7, A10 and Star Twin	67-3170	Footchange lever spindle bush	1
51	A7, A10 and Star Twin	67-3135	Gearchange selector arm plunger spring	1
52	A7, A10 and Star Twin	67-3134	Gearchange selector arm plunger	1
53	A7, A10 and Star Twin	67-3132	Gearchange selector arm claw	1
54	A7, A10 and Star Twin	67-3136	Gearchange selector arm pivot pin	1
55	A7, A10 and Star Twin	67-3113	Gear control cam plate	1
56	A7, A10 and Star Twin	67-3204	Gear shifter fork	2
57	A7, A10 and Star Twin	67-3017	Gearbox inner cover with fixed fittings	1
58	A7, A10 and Star Twin	67-3191	Mainshaft gear (16T)	1
59	A7, A10 and Star Twin	67-3202	Mainshaft sliding gear (24T)	1
60	A7, A10 and Star Twin	67-3116	Gear shifter fork shaft	1
61	A7, A10 and Star Twin	67-3117	Gear shifter fork shaft grub screw	1
62	A7, A10 and Star Twin	67-3201	Mainshaft sliding gear (20T)	1
63	A7, A10 and Star Twin	67-3192	Constant mesh gear complete with bushes	1
64	A7, A10 and Star Twin	67-3080	Constant mesh gear bush (drilled)	1
65	A7, A10 and Star Twin	67-3073	Constant mesh gear bush (plain)	1
66	A7, A10 and Star Twin	24-4065	Constant mesh gear ball bearing	1
67	A7, A10 and Star Twin	67-3067	Gearbox sprocket oil seal	1

Plate 3

GEARBOX—"A" GROUP

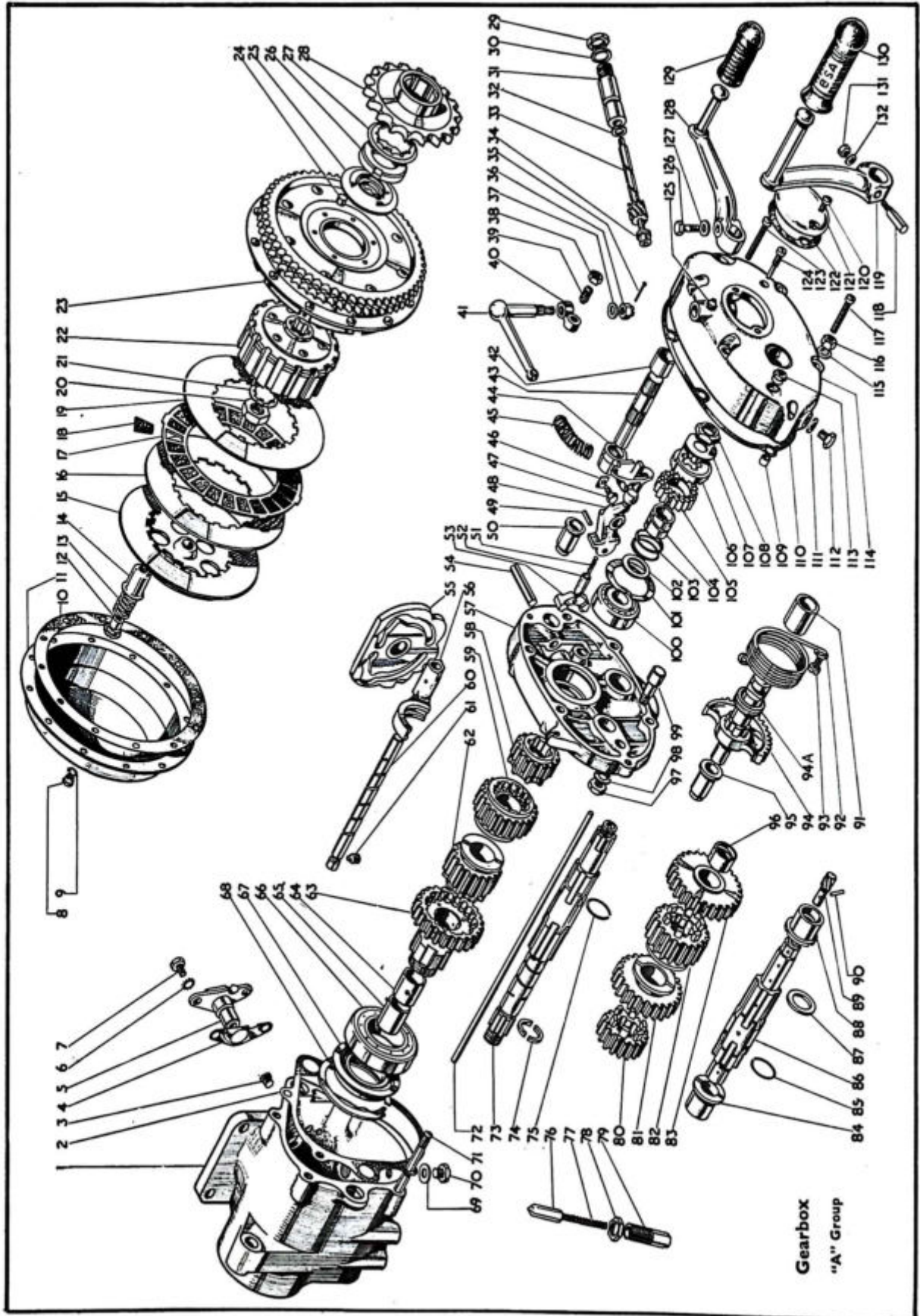


Plate 3—continued

GEARBOX—"A" GROUP

Plate Ref. Number.	Model.	Part No.	Description.	Number per set.
68	.. A7, A10 and Star Twin	.. 67-3026	.. Ball bearing spring ring	1
69	.. A7, A10 and Star Twin	.. 2-4553	.. Gearbox drain plug washer	1
70	.. A7, A10 and Star Twin	.. 28-243	.. Gearbox drain plug	1
71	.. A7, A10 and Star Twin	.. 67-3023	.. Gearbox outer cover stud	4
72	.. A7, A10 and Star Twin	.. 67-3183	.. Clutch push rod	1
73	.. A7, A10 and Star Twin	.. 67-3061	.. Gearbox mainshaft only	1
		.. 67-3190	.. Gearbox mainshaft complete with gear	1
74	.. A7, A10 and Star Twin	.. 67-3251	.. Clutch thrust washer abutment ring	1
75	.. A7, A10 and Star Twin	.. 67-3101	.. Mainshaft gear locating ring	1
76	.. A7, A10 and Star Twin	.. 67-3119	.. Gear control cam plate plunger	1
77	.. A7, A10 and Star Twin	.. 67-3121	.. Gear control cam plate plunger spring	1
78	.. A7, A10 and Star Twin	.. 67-3122	.. Gear control cam plate plunger housing nut	1
79	.. A7, A10 and Star Twin	.. 67-3120	.. Gear control cam plate plunger housing	1
80	.. A7, A10 and Star Twin	.. 67-3196	.. Layshaft gear (17T)	1
81	.. A7, A10 and Star Twin	.. 67-3197	.. Layshaft sliding gear (23T)	1
82	.. A7, A10 and Star Twin	.. 67-3198	.. Layshaft sliding gear (19T)	1
83	.. A7, A10 and Star Twin	.. 67-3199	.. Layshaft gear complete	1
84	.. A7, A10 and Star Twin	.. 65-3337	.. Layshaft bush	1
85	.. A7, A10 and Star Twin	.. 67-3101	.. Layshaft gear locating ring	1
86	.. A7, A10 and Star Twin	.. 67-3195	.. Layshaft only	1
		.. 67-3194	.. Layshaft complete with gears	1
87	.. A7, A10 and Star Twin	.. 67-3203	.. Layshaft thrust washer	1
88	.. A7, A10 and Star Twin	.. 67-3099	.. Layshaft bush	1
89	.. A7, A10 and Star Twin	.. 67-3088	.. Speedometer driving gear (6T)	1
90	.. A7, A10 and Star Twin	.. 67-3128	.. Speedometer driving gear peg	1
91	.. A7, A10 and Star Twin	.. 67-3153	.. Kickstart lever spindle bush	1
92	.. A7, A10 and Star Twin	.. 67-3174	.. Kickstarter spring	1
93	.. A7, A10 and Star Twin	.. 2-3718	.. Kickstarter spring screw	1
94	.. A7, A10 and Star Twin	.. 67-3178	.. Kickstart spindle and quadrant	1
94A	.. A7, A10 and Star Twin	.. 67-3173	.. Kickstart spindle sleeve	1
95	.. A7, A10 and Star Twin	.. 67-3151	.. Kickstart spindle bush	1
96	.. A7, A10 and Star Twin	.. 67-3093	.. Layshaft gear bush	1
97	.. A7, A10 and Star Twin	.. 2-49	.. Kickstarter quadrant stop nut	1
98	.. A7, A10 and Star Twin	.. 24-8784	.. Kickstarter quadrant stop washer	1
99	.. A7, A10 and Star Twin	.. 67-3152	.. Kickstart quadrant stop	1
100	.. A7, A10 and Star Twin	.. 24-4217	.. Mainshaft bearing	1
101	.. A7, A10 and Star Twin	.. 67-3028	.. Mainshaft bearing spring ring	1
102	.. A7, A10 and Star Twin	.. 67-3161	.. Kickstart ratchet pinion sleeve washer	1
103	.. A7, A10 and Star Twin	.. 67-3162	.. Kickstart ratchet spring -	1
104	.. A7, A10 and Star Twin	.. 67-3169	.. Kickstart ratchet pinion bush	1
105	.. A7, A10 and Star Twin	.. 67-3168	.. Kickstart ratchet pinion	1
106	.. A7, A10 and Star Twin	.. 67-3167	.. Kickstart ratchet	1
107	.. A7, A10 and Star Twin	.. 67-3164	.. Kickstart ratchet and mainshaft lockwasher	1
108	.. A7, A10 and Star Twin	.. 67-3163	.. Kickstart ratchet and mainshaft nut	1
109	.. A7, A10 and Star Twin	.. 66-3074	.. Gearbox cover dowel	2
110	.. A7, A10 and Star Twin	.. 67-3032	.. Gearbox outer cover joint washer	1
111	.. A7, A10 and Star Twin	.. 2-4553	.. Oil level plug washer	1
112	.. A7, A10 and Star Twin	.. 28-243	.. Oil level plug	1
113	.. A7, A10 and Star Twin	.. 27-4401	.. Kickstarter spring screw locknut	1
114	.. A7, A10 and Star Twin	.. 67-3021	.. Gearbox outer cover with fixed fittings	1
115	.. A7, A10 and Star Twin	.. 2-923	.. Gearbox outer cover fixing washer	4
116	.. A7, A10 and Star Twin	.. 67-3034	.. Gearbox outer cover fixing nut	4
117	.. A7, A10 and Star Twin	.. 67-1705	.. Gearbox outer cover fixing screw (short)	1
118	.. A7, A10 and Star Twin	.. 2-2579	.. Kickstarter crank cotter	1
119	.. A7, A10 and Star Twin	.. 65-3381	.. Kickstarter crank	1
120	.. A7, A10 and Star Twin	.. 24-7178	.. Gearbox inspection cover screw	2
121	.. A7, A10 and Star Twin	.. 67-3024	.. Gearbox inspection cover	1
122	.. A7, A10 and Star Twin	.. 67-3033	.. Gearbox inspection cover joint washer	1
123	.. A7, A10 and Star Twin	.. 67-1706	.. Gearbox outer cover fixing screw (long)	2
124	.. A7, A10 and Star Twin	.. 67-3176	.. Speedometer driven gear retaining pin	1
125	.. A7, A10 and Star Twin	.. 28-2080	.. Gearbox outer cover grease nipple	1
126	.. A7, A10 and Star Twin	.. 65-3361	.. Selector lever foot operating screw	1
127	.. A7, A10 and Star Twin	.. 2-525	.. Foot operating lever screw washer	1
128	.. A7, A10 and Star Twin	.. 65-3417	.. Gear change operating lever	1
129	.. A7, A10 and Star Twin	.. 29-3250	.. Footchange operating lever rubber	1
130	.. A7, A10 and Star Twin	.. 65-3397	.. Kickstart crank rubber	1
131	.. A7, A10 and Star Twin	.. 2-2578	.. Kickstart crank cotter nut	1
132	.. A7, A10 and Star Twin	.. 15-5155	.. Kickstart crank cotter washer	1

Plate 4

FRAME AND FITTINGS—"A" GROUP

Plate Ref. Number.	Model.	Part No.	Description.	Number per set.
1	.. A7, A10 and Star Twin	.. 67-4038	.. Gearbox foot set screw locking wire (4in.)	.. 1
2	.. A7, A10 and Star Twin	.. 67-4028	.. Gearbox foot set screw	.. 2
3	.. A7, A10 and Star Twin	.. 36-382	.. Gearbox foot set screw washer (shakeproof)	.. 2
4	.. A7, A10 and Star Twin	.. 67-4848	.. Central stand pin	.. 2
5	.. A7, A10 and Star Twin	.. 28-2080	.. Central stand pin grease nipple	.. 2
6	.. A7, A10 and Star Twin	.. 35-698	.. Central stand split pin	.. 2
7	.. A7, A10 and Star Twin	.. 67-4029	.. Footrest stud (offside)	.. 1
7	.. A7, A10 and Star Twin	.. 67-4041	.. Footrest stud (nearside)	.. 1
8	.. A7, A10 and Star Twin	.. 67-4851	.. Footrest bracket	.. 2
9	.. A7, A10 and Star Twin	.. 67-4852	.. Footrest bracket nut complete (offside)	.. 1
	.. A7, A10 and Star Twin	.. 67-4856	.. Footrest bracket nut complete (nearside)	.. 1
10	.. A7, A10 and Star Twin	.. 29-7551	.. Footrest Rubber	.. 2
11	.. A7, A10 and Star Twin	.. 2-46	.. Crankcase and exhaust pipe lug stud nut	.. 2
12	.. A7, A10 and Star Twin	.. 66-4707	.. Crankcase and exhaust pipe lug stud washer (shakeproof)	.. 2
13	.. A7, A10 and Star Twin	.. 67-1251	.. Crankcase and exhaust pipe lug stud (solo machines)	.. 1
14	.. A7, A10 and Star Twin	.. 27-6275	.. Crankcase and exhaust pipe lug stud (when sidecar fitted)	.. 1
15	.. A7, A10 and Star Twin	.. 67-4173	.. Front engine plate complete (offside)	.. 1
15A	.. A7, A10 and Star Twin	.. 67-4026	.. Front engine support bolt	.. 1
16	.. A7, A10 and Star Twin	.. 24-5160	.. Engine steady stay bolt nut	.. 1
16A	.. A7, A10 and Star Twin	.. 36-382	.. Engine steady stay bolt washer (shakeproof)	.. 1
17	.. A7, A10 and Star Twin	.. 2-923	.. Engine steady stay bolt washer (plain)	.. 1
17A	.. A7, A10 and Star Twin	.. 28-2080	.. Bail head grease nipple	.. 1
18	.. A7, A10 and Star Twin	.. 67-4056	.. Frame front complete	.. 1
18A	.. A7, A10 and Star Twin	.. 32-194	.. Engine steady stay bolt	.. 1
19	.. A7, A10 and Star Twin	.. 67-4036	.. Engine plate insert complete	.. 1
20	.. A7, A10 and Star Twin	.. 67-4171	.. Front engine plate complete (nearside)	.. 1
21	.. A7, A10 and Star Twin	.. 66-4708	.. Front engine support bolt washer (shakeproof)	.. 1
22	.. A7, A10 and Star Twin	.. 2-440	.. Front engine support bolt nut	.. 1
23	.. A7, A10 and Star Twin	.. 2-46	.. Saddle front pivot bolt nut	.. 1
24	.. A7, A10 and Star Twin	.. 66-4707	.. Saddle front pivot bolt washer (shakeproof)	.. 1
25	.. A7, A10 and Star Twin	.. 66-4708	.. Backstay and seat lug washer (shakeproof)	.. 1
26	.. A7, A10 and Star Twin	.. 28-2080	.. Saddle pivot grease nipple	.. 1
27	.. A7, A10 and Star Twin	.. 67-4030	.. Saddle front pivot bolt	.. 1
28	.. A7, A10 and Star Twin	.. 15-7161	.. Carrier fixing screw	.. 4
29	.. A7, A10 and Star Twin	.. 67-6921	.. Carrier complete	.. 1
30	.. A7, A10 and Star Twin	.. 2-1462	.. Carrier fixing screw washer (spring)	.. 4
31	.. A7, A10 and Star Twin	.. 2-2395	.. Carrier fixing screw nut	.. 4
32	.. A7, A10 and Star Twin	.. 66-4175	.. Backstay and seat lug stud	.. 1
33	.. A7, A10 and Star Twin	.. 2-1945	.. Backstay and seat lug stud washer	.. 2
34	.. A7, A10 and Star Twin	.. 15-541	.. Backstay and seat lug stud nut	.. 2
35	.. A7, A10 and Star Twin	.. 2-49	.. Saddle rear fixing stud nut	.. 4
36	.. A7, A10 and Star Twin	.. 2-923	.. Saddle rear fixing stud washer	.. 4
37	.. A7, A10 and Star Twin	.. 67-4040	.. Saddle rear fixing stud	.. 2
38	.. A7, A10 and Star Twin	.. 67-4130	.. Lifting handle	.. 1
39	.. A7, A10 and Star Twin	.. 31-68	.. Plunger column bolt (top)	.. 2
40	.. A7, A10 and Star Twin	.. 66-4707	.. Plunger column bolt washer (top) (shakeproof)	.. 2
41	.. A7, A10 and Star Twin	.. 2-46	.. Plunger column bolt nut (top)	.. 2
42	.. A7, A10 and Star Twin	.. 2-1946	.. Sidecar chainstay lug stud nut	.. 1
43	.. A7, A10 and Star Twin	.. 35-722	.. Sidecar chainstay lug stud split pin	.. 2
44	.. A7, A10 and Star Twin	.. 67-4120	.. Sidecar chainstay lug stud	.. 1
45	.. A7, A10 and Star Twin	.. 67-4094	.. Chainstay and backstay complete	.. 1
	.. A7, A10, Rigid Frame	.. 67-4070	.. Chainstay and backstay complete (up to 1951)	.. 1
	.. A7, A10, Rigid Frame	.. 67-4102	.. Chainstay and backstay complete (up to 1953)	.. 1
46	.. A7, A10 and Star Twin	.. 2-49	.. Plunger carrier and bottom clip and silencer support bolt nut	.. 2
47	.. A7, A10 and Star Twin	.. 36-382	.. Plunger carrier and bottom clip and silencer support bolt washer (shakeproof)	.. 2
48	.. A7, A10 and Star Twin	.. 67-4128	.. Plunger carrier and bottom clip and silencer support bolt	.. 2
49	.. A7, A10 and Star Twin	.. 66-4707	.. Plunger carrier and bottom clip bolt washer (shakeproof)	.. 2
50	.. A7, A10 and Star Twin	.. 67-4129	.. Plunger carrier and bottom clip and silencer support bolt distance washer	.. 2
51	.. A7, A10 and Star Twin	.. 2-46	.. Plunger carrier and bottom clip bolt nut	.. 2
52	.. A7, A10 and Star Twin	.. 2-46	.. Pillion footrest anchor bolt nut	.. 2
53	.. A7, A10 and Star Twin	.. 2-2903	.. Pillion footrest anchor bolt washer (spring)	.. 2
54	.. A7, A10 and Star Twin	.. 67-4122	.. Sidecar chainstay lug stud locknut	.. 1
55	.. A7, A10 and Star Twin	.. 15-518	.. Rear brake pedal pinch bolt	.. 1
56	.. A7, A10 and Star Twin	.. 36-382	.. Rear brake pedal pinch bolt washer (shakeproof)	.. 1
57	.. A7, A10 and Star Twin	.. 67-7032	.. Rear brake pedal return spring	.. 1
58	.. A7, A10 and Star Twin	.. 67-7026	.. Rear brake pedal complete	.. 1
59	.. A7, A10 and Star Twin	.. 2-440	.. Gearbox top fixing bolt nut	.. 1
60	.. A7, A10 and Star Twin	.. 3-110	.. Gearbox top fixing bolt washer (spring)	.. 1
61	.. A7, A10 and Star Twin	.. 67-7027	.. Rear brake pedal operating lever	.. 1
62	.. A7, A10 and Star Twin	.. 67-4027	.. Gearbox top fixing bolt	.. 1

Plate 4

FRAME AND FITTINGS—"A" GROUP

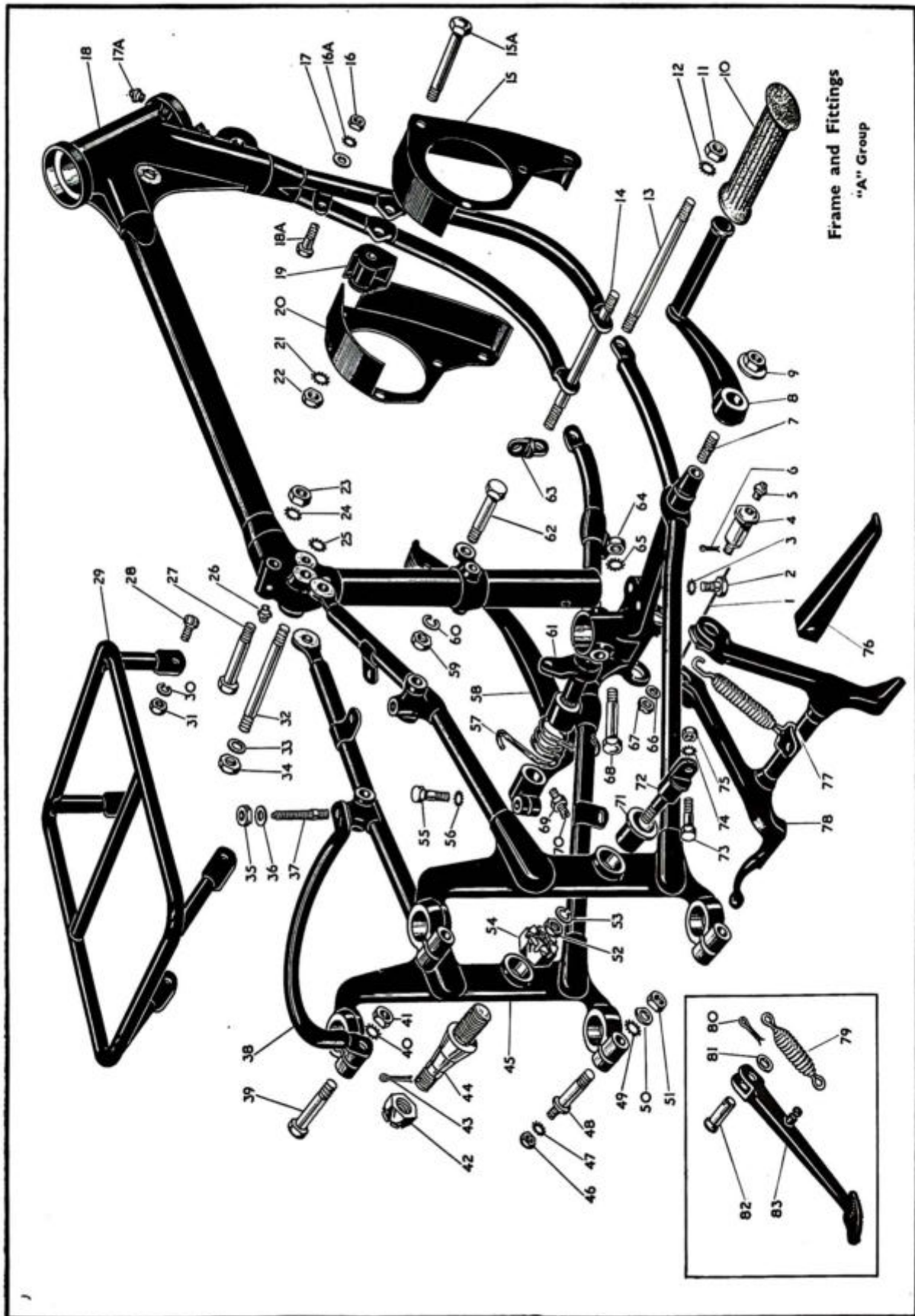


Plate 4—continued **FRAME AND FITTINGS—“A” GROUP**

Plate Ref. Number.	Model.	Part No.	Description.	Number per set.
63 ..	A7, A10 and Star Twin	3-1718	Front bottom connecting link (when sidecar fitted)	1
64 ..	A7, A10 and Star Twin	2-440	Chainstay bridge clamp bolt nut	1
65 ..	A7, A10 and Star Twin	66-4708	Chainstay bridge clamp bolt washer (shakeproof)	1
66 ..	A7, A10 and Star Twin	30-733	Central stand pin washer	2
67 ..	A7, A10 and Star Twin	21-431	Central stand pin nut	2
68 ..	A7, A10 and Star Twin	67-4027	Chainstay bridge clamp bolt	1
69 ..	A7, A10 and Star Twin	2-2395	Rear brake pedal adjusting screw nut	1
70 ..	A7, A10 and Star Twin	67-7037	Rear brake pedal adjusting screw	1
71 ..	A7, A10 and Star Twin	67-4183	Pillion footrest adaptor (solo)	2
	A7, A10 and Star Twin	67-4183	Pillion footrest adaptor (sidecar)	1
72 ..	A7, A10 and Star Twin	29-7560	Pillion footrest anchor bolt	2
73 ..	A7, A10 and Star Twin	29-7564	Pillion footrest swivel bolt	2
74 ..	A7, A10 and Star Twin	36-382	Pillion footrest swivel bolt washer (shakeproof)	2
75 ..	A7, A10 and Star Twin	24-6040	Pillion footrest swivel bolt nut	2
76 ..	A7, A10 and Star Twin	29-7561	Pillion footrest complete	2
77 ..	A7, A10 and Star Twin	67-4847	Central stand spring	1
78 ..	A7, A10 and Star Twin	67-4816	Central stand complete	1
79 ..	A7, A10 and Star Twin	65-4742	Prop stand spring	1
80 ..	A7, A10 and Star Twin	35-710	Prop stand split pin	1
81 ..	A7, A10 and Star Twin	2-1945	Prop stand pivot pin washer	1
82 ..	A7, A10 and Star Twin	67-4909	Prop stand pivot pin	1
83 ..	A7, A10 and Star Twin	67-4903	Prop stand leg	1
	A7, A10 and Star Twin	67-4902	Prop stand assembly	1
	A7, A10 and Star Twin	67-4879	Prop stand assembly (up to 1953)	1

Plate 5 **REAR SUSPENSION—“A” GROUP**

Plate Ref. Number.	Model.	Part No.	Description.	Number per set.
1 ..	A7, A10 and Star Twin	89-4045	Plunger carrier column screw plug	2
2 ..	A7, A10 and Star Twin	89-4041	Plunger carrier column assembly	2
3 ..	A7, A10 and Star Twin	89-4248	Plunger spring outer shroud	2
4 ..	A7, A10 and Star Twin	89-4249	Plunger spring inner shroud	2
5 ..	A7, A10 and Star Twin	89-4257	Plunger spring top collar	2
6 ..	A7, A10 and Star Twin	67-4132	Plunger spring (top)	2
7 ..	A7, A10 and Star Twin	66-4707	Clamp lug bolt washer (shakeproof)	2
8 ..	A7, A10 and Star Twin	89-4046	Plunger tube with bushes	2
9 ..	A7, A10 and Star Twin	3-1399	Clamp lug bolt	2
10 ..	A7, A10 and Star Twin	28-2080	Rear spindle clamp lug grease nipple	2
11 ..	A7, A10 and Star Twin	67-4125	Rear spindle clamp lug (nearside)	1
11 ..	A7, A10 and Star Twin	67-4126	Rear spindle clamp lug (offside)	1
12 ..	A7, A10 and Star Twin	89-4240	Rebound spring shroud (outer)	2
13 ..	A7, A10 and Star Twin	89-4241	Rebound spring shroud (inner)	2
14 ..	A7, A10 and Star Twin	89-4258	Rebound spring bottom collar	2
15 ..	A7, A10 and Star Twin	89-4259	Rebound spring (bottom)	2
16 ..	A7, A10 and Star Twin	2-46	Clamp lug bolt nut	2
17 ..	A7, A10 and Star Twin	15-1312	Rear wheel adjusting screw spring	2
18 ..	A7, A10 and Star Twin	66-4603	Rear wheel adjusting screw	2
19 ..	A7, A10 and Star Twin	67-4127	Rebound spring top collar	2

Plate 5

REAR SUSPENSION—"A" GROUP

**Rear Suspension
"A" Group**

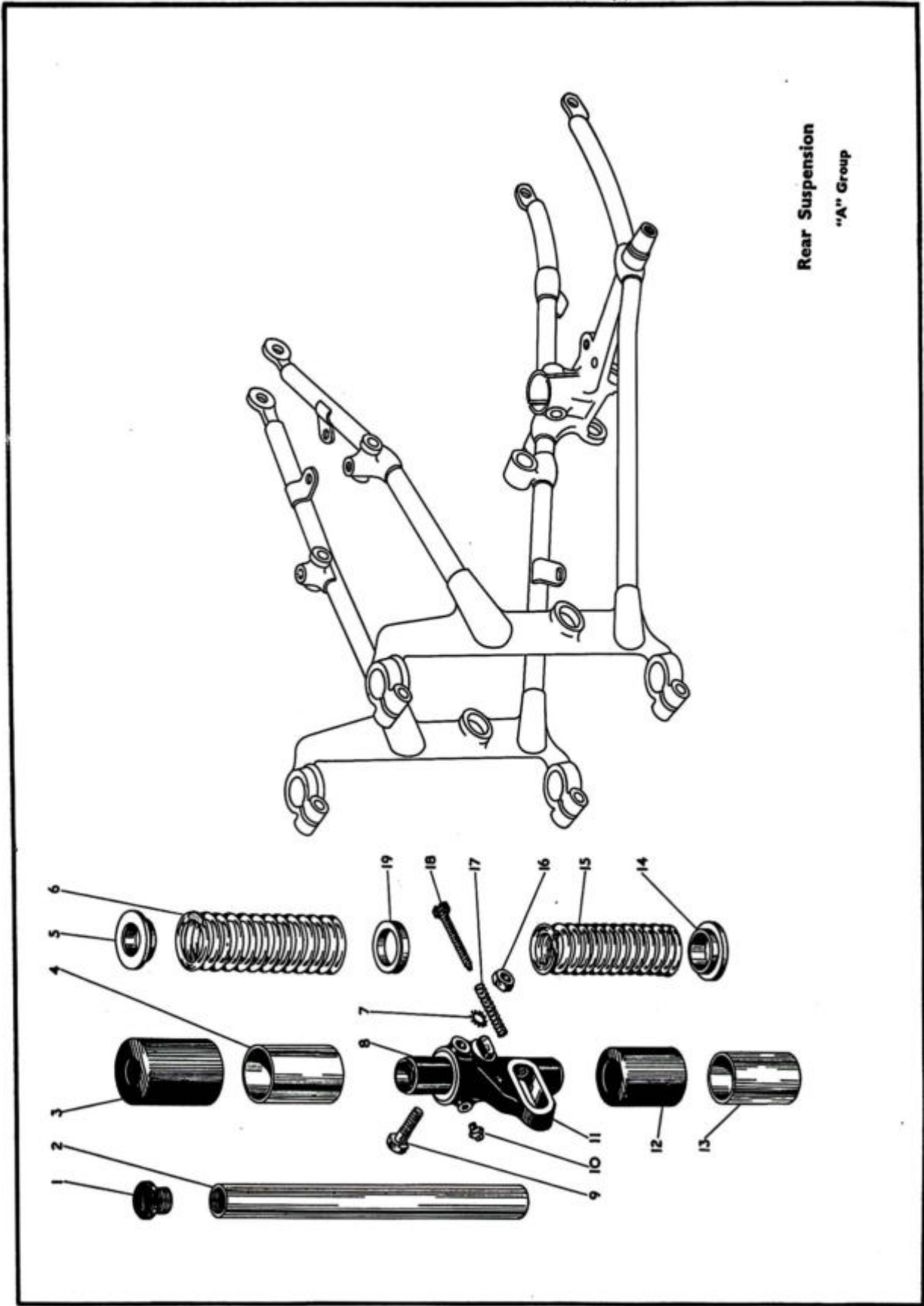


Plate 6 FRONT FORK AND FITTINGS—"A" GROUP

Plate Ref. Number	Model.	Part No.	Description.	Number per set.
	A7, A10 and Star Twin	67-5077	Front fork complete	1
	A7 and Star Twin	65-5400	Front fork complete (up to 1951)	1
	A7	67-5054	Front fork complete (up to 1952)	1
	Star Twin	67-5060	Front fork complete (up to 1952)	1
	A10	67-5049	Front fork complete (up to 1952)	1
1	A7, A10 and Star Twin	65-5295	Fork end bolt (N/S)	1
2	A7, A10 and Star Twin	2-2903	Fork end bolt washer (spring)	1
3	A7, A10 and Star Twin	67-5057	Front fork sliding tube (N/S)	1
	A7	65-5408	Front fork sliding tube (N/S) (up to 1953)	1
	Star Twin	65-5408	Front fork sliding tube (N/S) (up to 1951)	1
4	A7, A10 and Star Twin	29-5283	Fork shaft plug	2
5	A7, A10 and Star Twin	29-5347	Fork bottom bearing	2
6	A7, A10 and Star Twin	89-5061	Fork shaft	2
7	A7, A10 and Star Twin	65-5424	Fork top bearing	2
8	A7, A10 and Star Twin	29-5320	Fork top bearing circlip	2
9	A7, A10 and Star Twin	29-5313	Fork oil seal	2
10	A7, A10 and Star Twin	29-5310/3	Fork oil seal holder complete	1
11	A7, A10 and Star Twin	65-5391	Fork spring (sidecar machines)	2
		89-5036	Fork spring (solo machines)	2
12	A7, A10 and Star Twin	67-5009	Fork outer sleeve (N/S)	1
	A7, A10 and Star Twin	67-5042	Fork outer sleeve (N/S) (up to 1953)	1
13	A7, A10 and Star Twin	27-5135	Fork top yoke clip bolt	1
14	A7, A10 and Star Twin	65-5333	Handlebar clip	2
15	A7, A10 and Star Twin	15-5155	Handlebar clip bolt washer	4
16	A7, A10 and Star Twin	65-5334	Handlebar clip bolt	4
17	A7, A10 and Star Twin	67-5023	Steering stem adjusting sleeve	1
18	A7, A10 and Star Twin	67-5024	Steering stem adjusting sleeve cap	1
19	A10	66-5097	Fork top yoke clip bolt nut	1
	A7 and Star Twin	29-5315	Fork top yoke clip bolt nut	1
20	A7, A10 and Star Twin	65-5331	Fork tube nut	2
21	A7, A10 and Star Twin	65-5332	Fork tube nut washer	2
22	A7, A10 and Star Twin	65-5430	Fork top yoke	1
	A7, A10 and Star Twin	66-5088	Fork top yoke (up to 1953)	1
23	A7, A10 and Star Twin	66-5203	Steering head dust cap	1
24	A7, A10 and Star Twin	65-5126	Steering head ballrace cone (top)	1
25	A7, A10 and Star Twin	1/2 in. diam.	Steering head balls	20
26	A7, A10 and Star Twin	66-4149	Ball head cup	1
27	A7, A10 and Star Twin	66-4149	Ball head cup	1
28	A7, A10 and Star Twin	1/2 in. diam.	Steering head balls	20
29	A7, A10 and Star Twin	65-5127	Steering head ballrace cone (bottom)	1
30	A7, A10 and Star Twin	66-5089	Fork bottom yoke	1
31	A7, A10 and Star Twin	24-5160	Fork bottom yoke bolt nut	2
32	A7, A10 and Star Twin	36-382	Fork bottom yoke bolt washer	1
33	A7, A10 and Star Twin	65-5435	Fork bottom yoke bolt	2
34	A7, A10 and Star Twin	29-5310/3	Fork oil seal holder complete	1
35	A7, A10 and Star Twin	2-1309	Fork end drain plug	2
36	A7, A10 and Star Twin	2-292	Fork end drain plug washer	2
37	A7, A10 and Star Twin	67-5050	Fork sliding tube (O/S)	1
	A7 and Star Twin	65-5410	Fork sliding tube (O/S) (up to 1950)	1
	A7	67-5055	Fork sliding tube (O/S) (up to 1953)	1
38	A7, A10 and Star Twin	65-5328	Steering damper centre	1
39	A7, A10 and Star Twin	25-5247	Steering damper star washer	1
40	A7, A10 and Star Twin	25-5241	Steering damper bottom plate	1
41	A7, A10 and Star Twin	27-5152	Steering damper anchor plate	1
42	A7, A10 and Star Twin	65-5380	Steering damper friction washer	2
43	A7, A10 and Star Twin	24-6035	Steering damper knob spring washer	1
44	A7, A10 and Star Twin	2-49	Steering damper anchor plate stud nut	1
45	A7, A10 and Star Twin	36-382	Steering damper anchor plate stud washer	1
46	A7, A10 and Star Twin	2-923	Steering damper anchor plate stud washer	1
47	A7, A10 and Star Twin	65-5327	Steering damper anchor plate stud	1
48	A7, A10 and Star Twin	67-5021	Steering damper adjusting rod	1
49	A7, A10 and Star Twin	67-5009	Fork outer sleeve (O/S)	1
	A7, A10 and Star Twin	67-5044	Fork outer sleeve (O/S) (up to 1953)	1

Plate 6

FRONT FORK AND FITTINGS "A" GROUP

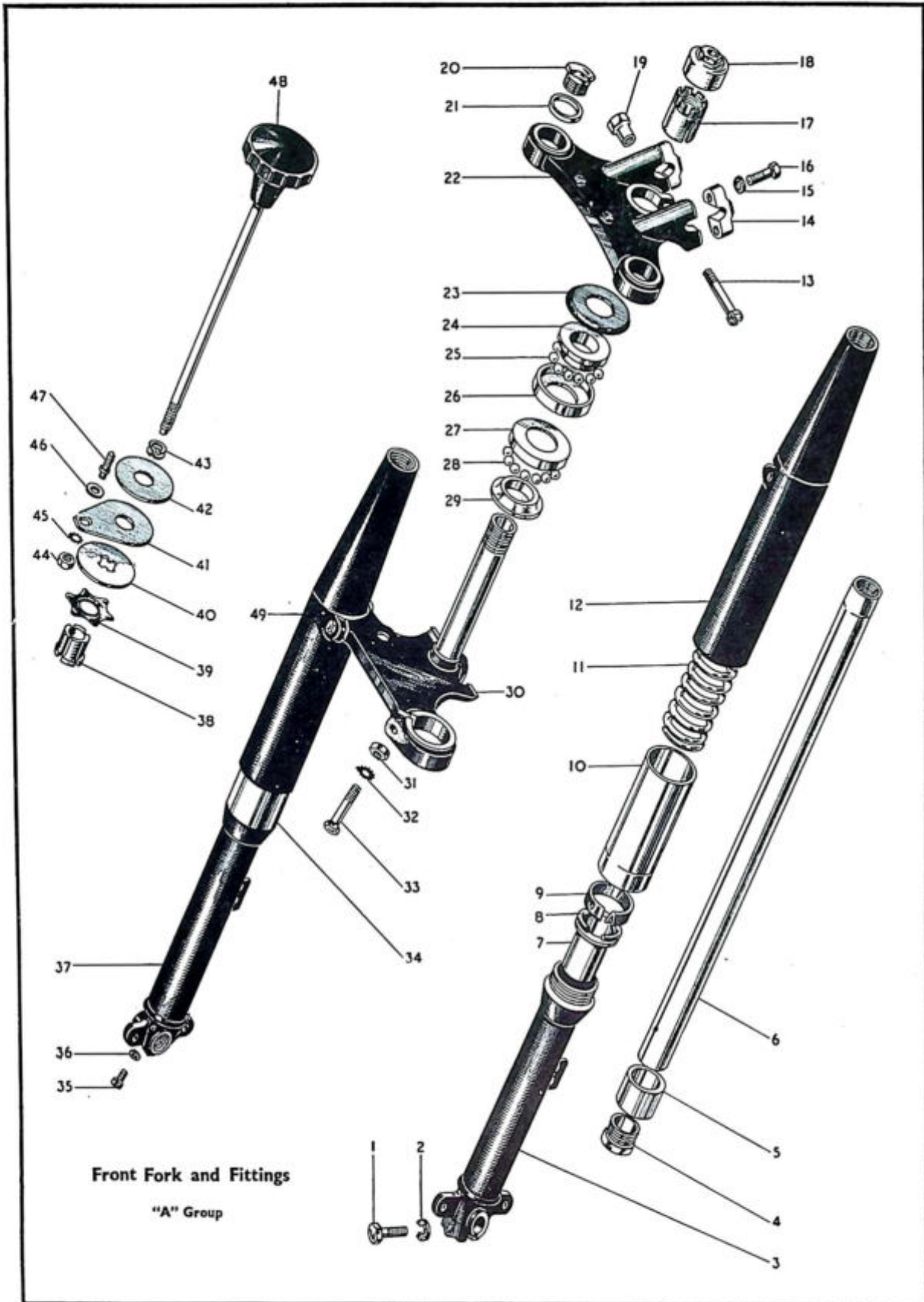


Plate 7

FRONT HUB AND WHEEL FITTINGS
"A" GROUP

Plate Ref. Number.	Model.	Part No.	Description.	Number per set.
	A7	67-5542/41	Front wheel complete (less brake and tyre)	1
	Star Twin	67-5542/42	Front wheel complete (less brake and tyre)	1
	A10	67-5542/43	Front wheel complete (less brake and tyre)	1
	A7	67-5538/17	Front wheel complete (less brake and tyre) (up to 1953)	1
	Star Twin	67-5538/19	Front wheel complete (less brake and tyre) (up to 1952)	1
	Star Twin	67-5542/19	Front wheel complete (less brake and tyre) (up to 1953)	1
	A10	67-5542/17	Front wheel complete (less brake and tyre) (up to 1953)	1
	A10	67-5542/26	Front wheel complete (less brake and tyre) (up to 1953)	1
1 ..	A7, A10 and Star Twin	65-5883	Front hub ball journal	1
2 ..	A7, A10 and Star Twin	67-5565	Front hub spindle sleeve	1
3 ..	A7, A10 and Star Twin	67-5547	Front hub complete with spindle and bearings	1
	A7	65-5876	Front hub complete with spindle and bearings (up to 1953)	1
	Star Twin	65-5876	Front hub complete with spindle and bearings (up to 1951)	1
4 ..	A7, A10 and Star Twin	67-5545	Front wheel spoke (long)	20
5 ..	A7, A10 and Star Twin	27-6810	Front wheel spoke nipple	40
6 ..	A7, A10 and Star Twin	65-5883	Front hub ball journal	1
7 ..	A7, A10 and Star Twin	67-5563	Hub bearing oil retaining washer (N/S)	1
8 ..	A7, A10 and Star Twin	67-5561	Hub bearing locking ring (N/S)	1
9 ..	A7, A10 and Star Twin	67-5566	Front hub spindle	1
10 ..	A7, A10 and Star Twin	35-701	Hub bearing locking ring retaining pin	1
11 ..	A7, A10 and Star Twin	15-5290	Front hub grease nipple	1
12 ..	A7, A10 and Star Twin	67-5544	Front wheel spoke (short)	20
13 ..	A7, A10 and Star Twin	35-701	Hub bearing locking ring retaining pin	1
14 ..	A7, A10 and Star Twin	67-5562	Hub bearing locking ring (O/S)	1
15 ..	A7, A10 and Star Twin	67-5575	Brake shoe lining rivet	14
16 ..	A7, A10 and Star Twin	67-5576	Front brake fulcrum and adjusting pin	1
17 ..	A7, A10 and Star Twin	67-5571	Front brake shoe lining	2
18 ..	A7, A10 and Star Twin	67-5555/3	Front brake cover plate with fixed fittings	1
	A7	65-5895/3	Front brake cover plate with fixed fittings (up to 1953)	1
	Star Twin	65-5895/3	Front brake cover plate with fixed fittings (up to 1951)	1
19 ..	A7, A10 and Star Twin	2-49	Front brake anchor strap bolt nut	2
20 ..	A7, A10 and Star Twin	36-382	Front brake anchor strap bolt washer	2
21 ..	A7, A10 and Star Twin	67-5578	Front brake anchor strap	1
22 ..	A7, A10 and Star Twin	32-194	Front brake anchor strap bolt	2
23 ..	A7, A10 and Star Twin	15-716	Front brake cover plate and anchor strap washer	2
24 ..	A7, A10 and Star Twin	15-541	Front brake cover plate and anchor strap nut	1
25 ..	A7, A10 and Star Twin	2-2527	Front brake fulcrum and adjusting pin nut	1
26 ..	A7, A10 and Star Twin	35-37	Front brake fulcrum and adjusting pin washer	1
27 ..	A7, A10 and Star Twin	25-6014	Front brake fulcrum and adjusting pin washer (plain)	1
28 ..	A7, A10 and Star Twin	2-440	Front brake shoe cam nut	1
29 ..	A7, A10 and Star Twin	66-4708	Front brake shoe cam washer	1
30 ..	A7, A10 and Star Twin	65-5907	Front brake operating lever	1
31 ..	A7, A10 and Star Twin	28-2080	Front brake fulcrum pin grease nipple	1
32 ..	A7, A10 and Star Twin	67-5572	Front brake shoe cam	1
33 ..	A7, A10 and Star Twin	65-5904	Front brake shoe spring	2
34 ..	A7, A10 and Star Twin	67-5558	Front brake shoe complete	2
35 ..	A7, A10 and Star Twin	67-5564	Hub bearing oil retaining washer (O/S)	1
36 ..	A7, A10 and Star Twin	67-5543/3	Front wheel rim	1
	A7	65-5871/17	Front wheel rim (up to 1953)	1
	Star Twin	65-5871/19	Front wheel rim (up to 1952)	1
	Star Twin	67-5543/19	Front wheel rim (up to 1953)	1
	A10	67-5543/17	Front wheel rim (up to 1953)	1
	A10	67-5543/26	Front wheel rim (up to 1953)	1

Plate 7

**FRONT HUB AND REAR HUB WHEEL FITTINGS
"A" GROUP**

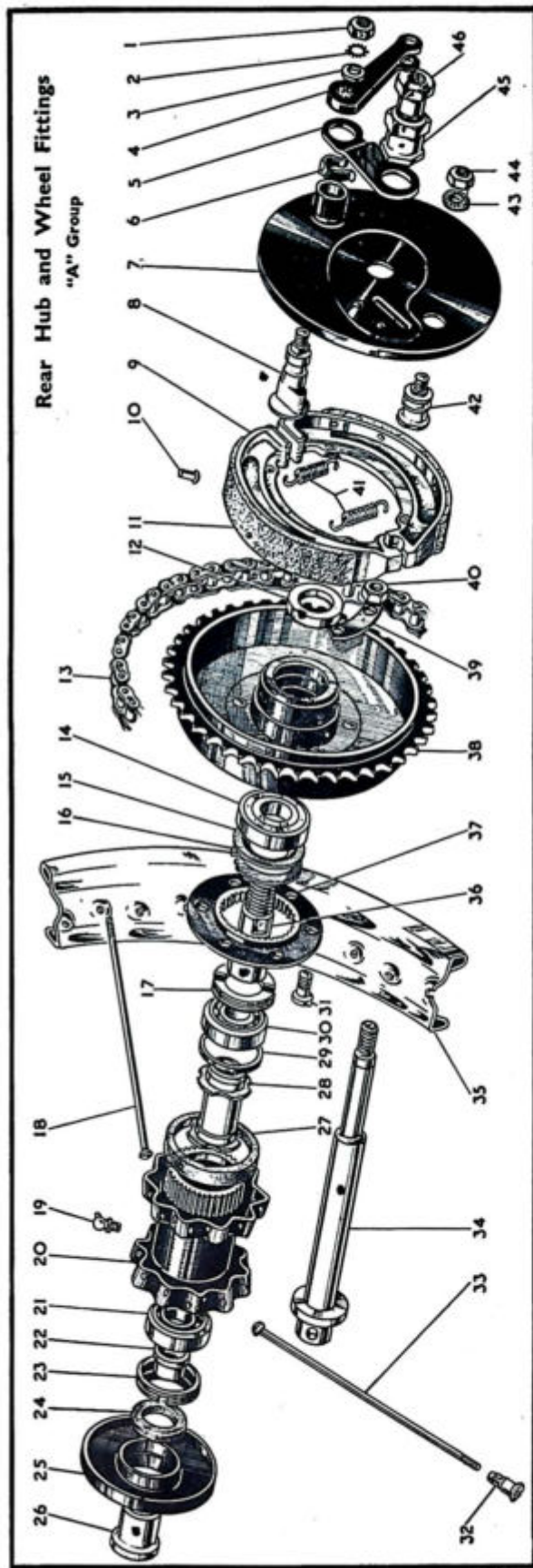
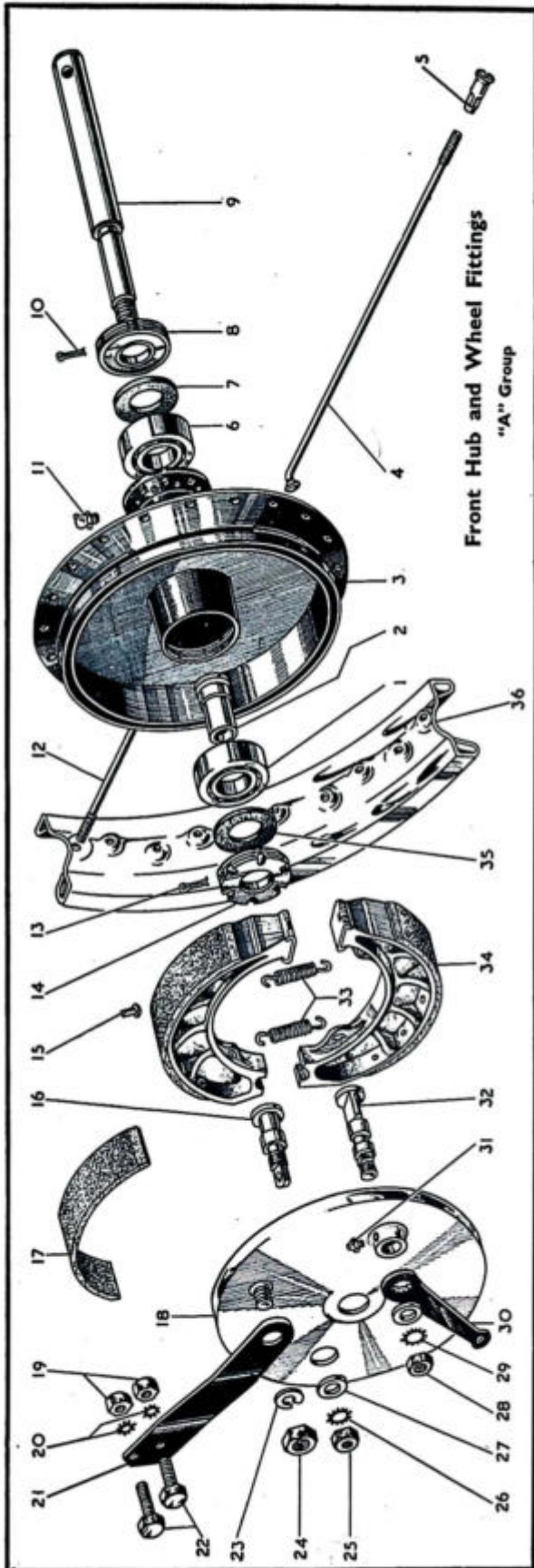


Plate 7—continued

REAR HUB AND WHEEL FITTINGS
"A" GROUP

Plate Ref. Number.	Model.	Part No.	Description.	Number per set.
	A7	67-6012/41	Rear wheel complete (less brake and tyre)	1
	A10	67-6012/43	Rear wheel complete (less brake and tyre)	1
	A7 Star Twin	67-6012/42	Rear wheel complete (less brake and tyre)	1
1 ..	A7, A10 and Star Twin	2-440	Rear brake operating lever nut	1
2 ..	A7, A10 and Star Twin	66-4708	Rear brake operating lever washer	1
3 ..	A7, A10 and Star Twin	15-431	Rear brake operating lever washer (plain)	1
4 ..	A7, A10 and Star Twin	67-6053	Rear brake operating lever	1
5 ..	A7, A10 and Star Twin	67-6081	Brake lever steady strap	1
6 ..	A7, A10 and Star Twin	65-5674	Cam bearing oil hole clip	1
7 ..	A7, A10 and Star Twin	67-6180/3	Rear brake cover plate	1
	A7, A10 and Star Twin	67-6180/7	Rear brake cover plate	1
8 ..	A7, A10 and Star Twin	65-5905	Rear brake cam	1
9 ..	A7, A10 and Star Twin	65-5901	Rear brake shoe complete	2
10 ..	A7, A10 and Star Twin	35-6436	Shoe lining rivet	14
11 ..	A7, A10 and Star Twin	65-5903	Brake shoe lining	2
12 ..	A7, A10 and Star Twin	67-6078	Hub collar (L/H)	1
13 ..	A7, A10 and Star Twin	67-9045	Rear driving chain (sidecar)	1
	A7 and Star Twin	67-9041	Rear driving chain (solo)	1
	A10	67-9046	Rear driving chain (solo)	1
14 ..	A7, A10 and Star Twin	89-3022	Brake drum and chainwheel bearing	1
15 ..	A7, A10 and Star Twin	67-6072	Ball bearing shim	1
16 ..	A7, A10 and Star Twin	67-6067	Ball bearing retaining ring	1
17 ..	A7, A10 and Star Twin	67-6076	Bearing locking ring	1
18 ..	A7, A10 and Star Twin	65-6303	Wheel spoke (N/S)	20
19 ..	A7, A10 and Star Twin	15-5290	Hub grease nipple	1
20 ..	A7, A10 and Star Twin	67-6126	Hub shell complete with bearing	1
21 ..	A7, A10 and Star Twin	65-5883	Rear hub ball bearing	1
22 ..	A7, A10 and Star Twin	67-6077	Hub collar (R/H)	1
23 ..	A7, A10 and Star Twin	67-6076	Bearing locking ring	1
24 ..	A7, A10 and Star Twin	67-6075	Rear hub washer (felt)	1
25 ..	A7, A10 and Star Twin	67-6128	Rear hub shell cover	1
26 ..	A7, A10 and Star Twin	67-6066	Rear hub distance piece (R/H)	1
27 ..	A7, A10 and Star Twin	67-6051	Rear hub shell washer (rubber)	1
28 ..	A7, A10 and Star Twin	67-6061	Bearing distance tube and retainers	1
29 ..	A7, A10 and Star Twin	65-5884	Hub bearing thrust washer	1
30 ..	A7, A10 and Star Twin	65-5883	Rear hub ball bearing	1
31 ..	A7, A10 and Star Twin	67-6038	Brake drum securing bolt	6
32 ..	A7, A10 and Star Twin	27-6813	Rear wheel spoke nipple	40
33 ..	A7, A10 and Star Twin	65-6302	Wheel spoke (O/S)	20
34 ..	A7, A10 and Star Twin	67-6164	Rear hub spindle	1
35 ..	A7	67-6005/41	Rear wheel rim	1
	A10	67-6005/43	Rear wheel rim	1
	A7 and Star Twin	67-6005/42	Rear wheel rim	1
36 ..	A7, A10 and Star Twin	67-6060	Rear hub bearing sleeve	1
37 ..	A7, A10 and Star Twin	67-6101	Driving flange	1
38 ..	Star Twin	67-6154	Brake drum and chainwheel (solo)	1
	A7, A10 and Star Twin	67-6124	Brake drum and chainwheel (sidecar)	1
	A7	67-6123	Brake drum and chainwheel (solo)	1
	A10	67-6150	Brake drum and chainwheel (solo)	1
39 ..	A7, A10 and Star Twin	67-6039	Brake drum securing bolt lock strip	3
40 ..	A7, A10 and Star Twin	3-720	Brake drum securing bolt nut	6
41 ..	A7, A10 and Star Twin	65-5904	Rear brake spring	2
42 ..	A7, A10 and Star Twin	65-5899	Rear brake fulcrum pin	1
43 ..	A7, A10 and Star Twin	24-8045	Rear brake fulcrum washer (serrated)	1
44 ..	A7, A10 and Star Twin	24-5860	Rear brake fulcrum pin nut	1
45 ..	A7, A10 and Star Twin	67-6074	Rear hub bearing sleeve nut	1
46 ..	A7, A10 and Star Twin	67-6073	Rear hub spindle nut	1

Plate 8

ACCESSORIES "A" GROUP

A7, A10 and Star Twin

Plate Ref. Number.	Model.	Part No.	Description.	Number per set.
1	A7, A10 and Star Twin	24-8784	Chainguard to crankcase fixing bolt washer (spring)	1
2	A7, A10 and Star Twin	21-2880	Chainguard to crankcase fixing bolt	1
3	A7, A10 and Star Twin	65-8422	Oil return pipe connection ferrule	1
4	A7, A10 and Star Twin	65-2060	Oil return pipe connection (rubber)	1
5	A7, A10 and Star Twin	65-8422	Oil return pipe connection ferrule	1
6	A7, A10 and Star Twin	65-8420	Oil return pipe connection	1
7	A7, A10 and Star Twin	65-8424	Oil return pipe nut	1
8	A7, A10 and Star Twin	65-8421	Oil return pipe nut washer (fibre)	1
9	A7, A10 and Star Twin	15-447	Front stand fixing bolt nut	2
10	A7 and A10	67-6530	Front stand complete	1
11	A7, A10 and Star Twin	2-1934	Front stand fork end fixing bolt	2
12	A7, A10 and Star Twin	24-8784	Front stand fork end fixing bolt washer (spring)	2
13	A7, A10 and Star Twin	2-1616	Front stand fork end fixing bolt nut	2
14	A7, A10 and Star Twin	2-2395	Front mudguard support bridge fixing bolt nut	2
15	A7, A10 and Star Twin	2-1462	Front mudguard support bridge fixing bolt washer (spring)	2
16	A7, A10 and Star Twin	2-1462	Front mudguard stay fixing bolt washer (spring)	2
17	A7, A10 and Star Twin	2-2395	Front mudguard stay fixing bolt nut	2
18	A10	67-6546	Front mudguard bridge stay insulator	2
19	A7, A10 and Star Twin	65-6606	Front mudguard support bridge	1
20	A7, A10 and Star Twin	28-2338	Support bridge bottom fixing bolt	4
21	A7, A10 and Star Twin	2-1616	Front mudguard stay fork end fixing bolt nut	2
22	A7, A10 and Star Twin	24-8784	Front mudguard stay fork end fixing bolt washer (spring)	2
23	A7, A10 and Star Twin	15-7354	Front mudguard stay fork end fixing bolt	2
24	A7 and A10	67-6544	Front mudguard stay	1
25	A10	67-6547	Front mudguard stay insulator	2
26	A7 and A10	67-6543	Front mudguard with fixed fittings	1
	A7	65-6605	Front mudguard with fixed fittings (up to 1953)	1
27	A7, A10 and Star Twin	15-7161	Front mudguard fixing bolt	2
28	A7, A10 and Star Twin	27-8560	Front mudguard fixing bolt washer (plain)	2
29	A7, A10 and Star Twin	66-7518	Front mudguard support bridge fixing bolt washer (fibre)	2
30	A7, A10 and Star Twin	27-8560	Front mudguard support bridge fixing bolt washer	2
31	A7, A10 and Star Twin	15-7161	Front mudguard support bridge fixing bolt	2
32	A7, A10 and Star Twin	2-49	Oil tank and air cleaner fixing stud nut	4
33	A7, A10 and Star Twin	24-8784	Oil tank and air cleaner fixing stud washer (spring)	4
34	A7, A10 and Star Twin	29-4100	Oil tank and air cleaner fixing stud (top)	1
35	A7, A10 and Star Twin	36-382	Support bridge bottom fixing bolt-washer (shakeproof)	4
36	A7, A10 and Star Twin	2-49	Support bridge bottom fixing bolt nut	4
37	A7, A10 and Star Twin	2-1354	Front stand fixing bolt	2
38	A7, A10 and Star Twin	36-382	Mudguard chainstay bridge bolt washer (shakeproof)	2
39	A7, A10 and Star Twin	67-8313	Mudguard chainstay bridge bolt	2
40	A7, A10 and Star Twin	67-6766	Mudguard front bracket (nearside)	1
41	A7, A10 and Star Twin	2-84	Oil tank drain plug	1
42	A7, A10 and Star Twin	2-100	Oil tank drain plug washer	1
43	A7, A10 and Star Twin	67-4030	Mudguard fixing bolt (seatstay)	2
44	A7, A10 and Star Twin	67-6761	Mudguard fixing bolt (seatstay) spacing washer	2
45	A7, A10 and Star Twin	2-923	Oil tank and air cleaner fixing stud washer	2
46	A7, A10 and Star Twin	29-4101	Oil tank and air cleaner fixing stud (bottom)	1
47	A7, A10 and Star Twin	67-8334	Oil tank with fixed fittings	1
	A7, A10 (Rigid)	67-8320	Oil tank with fixed fittings (up to 1953)	1
48	A7, A10 and Star Twin	24-8784	Oil tank fixing bolt washer (spring)	1
49	A7, A10 and Star Twin	67-8313	Oil tank fixing bolt	1
50	A7, A10 and Star Twin	67-42	Oil tank filler cap washer (fibre)	1
51	A7, A10 and Star Twin	65-8500	Oil tank filler cap	1
52	A7, A10 and Star Twin	24-6770	Mudguard support bracket stay bolt	2
53	A7, A10 and Star Twin	2-923	Mudguard support bracket stay bolt washer	2
54	A7, A10 and Star Twin	67-9054	Saddle	1
	A7, A10 and Star Twin	67-9053	Saddle	1
55	A7, A10 and Star Twin	67-6851	Rear number plate rubber extrusion	1
56	A7, A10 and Star Twin	36-382	Mudguard support bracket stay bolt washer (shakeproof)	2
57	A7, A10 and Star Twin	2-49	Mudguard support bracket stay bolt nut	2
58	A7, A10 and Star Twin	67-6830	Rear number plate complete	1
	A7, A10 and Star Twin	29-6885	Rear number plate complete (up to 1951)	1
	A7, A10 and Star Twin	65-6825	Rear number plate complete (up to 1953)	1
59	A7, A10 and Star Twin	67-6839	Rear mudguard tail lamp wiring grommet	2
60	A7, A10 and Star Twin	67-6841	Rear mudguard with fixed fittings	1
	A7, A10 (Rigid)	67-6752	Rear mudguard with fixed fittings (up to 1953)	1
	A7, A10 & Star Twin (Spring)	67-6771	Rear mudguard with fixed fittings (up to 1953)	1
61	A7, A10 and Star Twin	2-1354	Mudguard support bolt (bottom)	2
62	A7, A10 and Star Twin	67-6772	Mudguard support complete (offside)	1
63	A7, A10 and Star Twin	15-447	Mudguard support bolt nut (bottom)	2

Plate 8

ACCESSORIES "A" GROUP

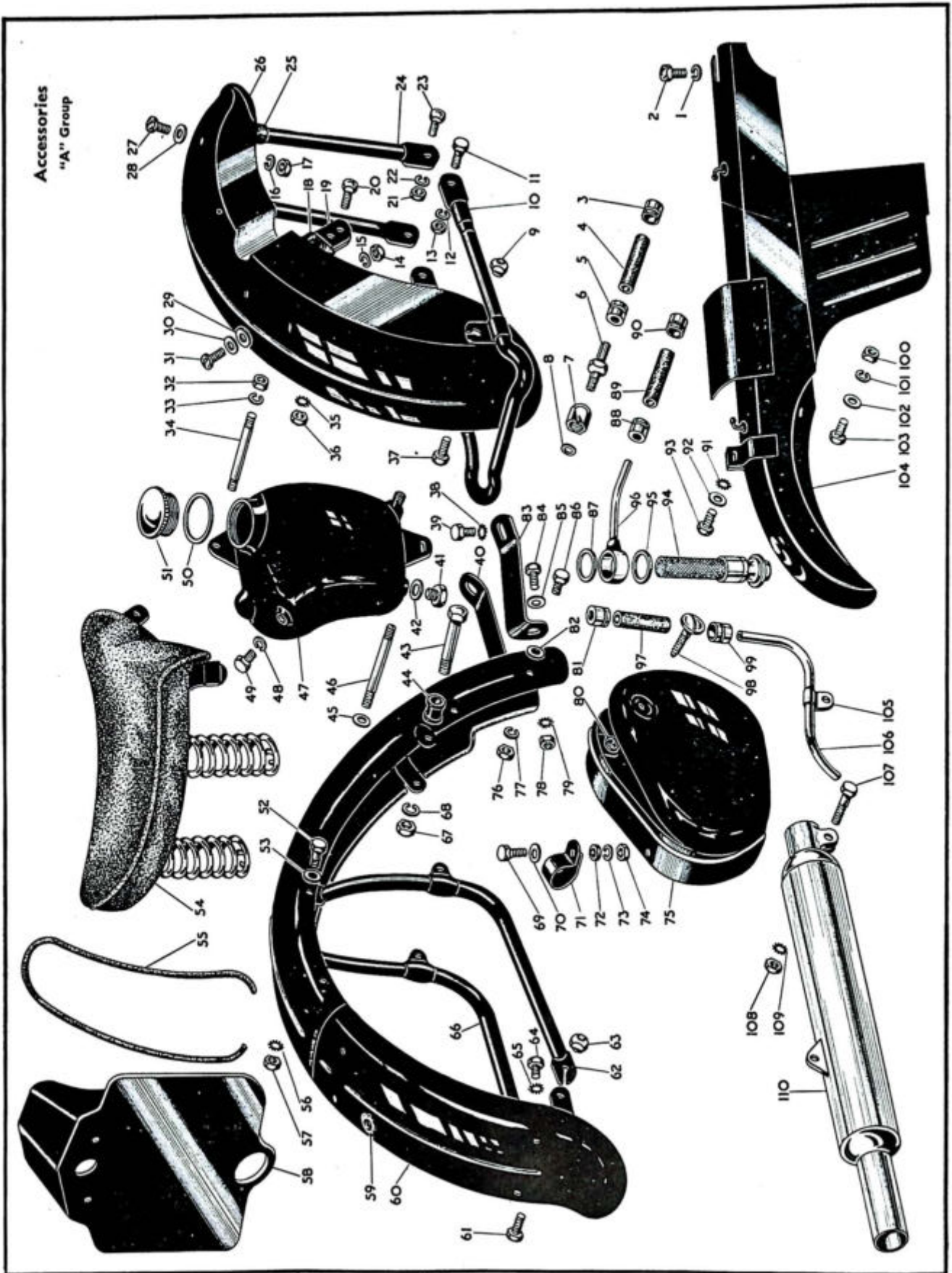


Plate 8—continued

ACCESSORIES "A" GROUP

A7, A10 and Star Twin

Plate Ref. Number.	Model.	Part No.	Description.	Number per set.
64	.. A7, A10 and Star Twin	.. 2-220	.. Rear number plate fixing bolt	4
65	.. A7, A10 and Star Twin	.. 29-541	.. Rear number plate fixing bolt washer (shakeproof)	4
66	.. A7, A10 and Star Twin	.. 67-6774	.. Mudguard support complete (nearside)	1
67	.. A7, A10 and Star Twin	.. 2-449	.. Mudguard fixing bolt (seatstay) nut	2
68	.. A7, A10 and Star Twin	.. 2-522	.. Mudguard fixing bolt (seatstay) washer (spring)	2
69	.. A7, A10 and Star Twin	.. 15-4207	.. Toolbox fixing clip bolt	1
70	.. A7, A10 and Star Twin	.. 27-8560	.. Toolbox fixing clip bolt washer	1
71	.. A7, A10 and Star Twin	.. 24-8927	.. Toolbox fixing clip	1
72	.. A7, A10 and Star Twin	.. 2-6537	.. Toolbox fixing clip distance washer	1
73	.. A7, A10 and Star Twin	.. 2-1462	.. Toolbox fixing clip bolt washer (spring)	1
74	.. A7, A10 and Star Twin	.. 2-2395	.. Toolbox fixing clip bolt nut	1
75	.. A7, A10 and Star Twin	.. 67-9002	.. Toolbox complete	1
	A7 and A10 (Rigid)	.. 65-9080	.. Toolbox complete (up to 1953)	1
	A7 and Star Twin (Spring)	.. 67-9007	.. Toolbox complete (up to 1951)	1
76	.. A7, A10 and Star Twin	.. 2-2395	.. Toolbox to mudguard fixing bolt nut	2
77	.. A7, A10 and Star Twin	.. 2-1462	.. Toolbox to mudguard fixing bolt washer (spring)	2
78	.. A7, A10 and Star Twin	.. 2-49	.. Mudguard front bracket fixing bolt nut	2
79	.. A7, A10 and Star Twin	.. 36-382	.. Mudguard front bracket fixing bolt washer (shakeproof)	2
80	.. A7, A10 and Star Twin	.. 2-1027	.. Toolbox lid fixing screw nut	1
81	.. A7, A10 and Star Twin	.. 65-8422	.. Oil breather pipe connection ferrule	1
82	.. A7, A10 and Star Twin	.. 27-8560	.. Toolbox to mudguard fixing bolt washer	2
83	.. A7, A10 and Star Twin	.. 67-6767	.. Mudguard front bracket (offside)	1
84	.. A7, A10 and Star Twin	.. 1-5069	.. Mudguard front bracket fixing bolt	2
85	.. A7, A10 and Star Twin	.. 2-923	.. Mudguard front bracket fixing bolt washer	2
86	.. A7, A10 and Star Twin	.. 2-204	.. Toolbox to mudguard fixing bolt	2
87	.. A7, A10 and Star Twin	.. 29-7971	.. Oil feed banjo washer (fibre)	1
88	.. A7, A10 and Star Twin	.. 65-8422	.. Oil feed pipe connection ferrule	1
89	.. A7, A10 and Star Twin	.. 65-2060	.. Oil feed pipe connection rubber	1
90	.. A7, A10 and Star Twin	.. 65-8422	.. Oil feed pipe connection ferrule	1
91	.. A7, A10 and Star Twin	.. 36-382	.. Chainguard rear fixing bolt washers (shakeproof)	1
92	.. A7, A10 and Star Twin	.. 2-923	.. Chainguard rear fixing bolt washer (plain)	1
93	.. A7, A10 and Star Twin	.. 1-5069	.. Chainguard rear fixing bolt	1
94	.. A7, A10 and Star Twin	.. 29-7962	.. Oil tank filter complete	1
95	.. A7, A10 and Star Twin	.. 29-7971	.. Oil feed banjo washer (fibre)	1
96	.. A7, A10 and Star Twin	.. 67-8309	.. Oil feed pipe complete	1
97	.. A7, A10 and Star Twin	.. 65-2060	.. Oil breather pipe connection (rubber)	1
98	.. A7, A10 and Star Twin	.. 29-9132	.. Toolbox lid fixing screw complete	1
99	.. A7, A10 and Star Twin	.. 65-8422	.. Oil breather pipe connection ferrule	1
100	.. A7, A10 and Star Twin	.. 2-2395	.. Chainguard bottom clip bolt nut	1
101	.. A7, A10 and Star Twin	.. 2-1462	.. Chainguard bottom clip bolt washer (spring)	1
102	.. A7, A10 and Star Twin	.. 27-8560	.. Chainguard bottom clip bolt washer (plain)	1
103	.. A7, A10 and Star Twin	.. 2-204	.. Chainguard bottom clip bolt	1
104	.. A7, A10 and Star Twin	.. 67-7778	.. Rear chainguard with fixed fittings	1
	A7 and A10 Rigid	.. 67-7725	.. Rear chainguard with fixed fittings (up to 1950 frame number ZA7-4487)	1
	A7 and A10 Rigid	.. 67-7726	.. Rear chainguard with fixed fittings (up to 1950 on and after frame number ZA7-4488)	1
	A7, A10 and Star Twin	.. 67-7777	.. Rear chainguard with fixed fittings (up to 1950 frame number ZA7S-7034)	1
105	.. A7, A10 and Star Twin	.. 67-8326	.. Oil tank breather pipe support clip	1
106	.. A7, A10 and Star Twin	.. 67-8324	.. Oil tank breather pipe extension	1
107	.. A7, A10 and Star Twin	.. 24-7343	.. Silencer inlet tube clip bolt	1
108	.. A7, A10 and Star Twin	.. 2-2395	.. Silencer inlet tube clip bolt nut	1
109	.. A7, A10 and Star Twin	.. 29-541	.. Silencer inlet tube clip bolt washer (shakeproof)	1
110	.. A7, A10 and Star Twin	.. 67-2711	.. Silencer complete	1

Plate 9

ACCESSORIES "A" GROUP

A7, A10 and Star Twin

Plate Ref. Number.	Model.	Part No.	Description.	Number per set.
1	A7, A10 and Star Twin	67-9087	Dual seat complete	1
2	A7	67-8104/36	Petrol Tank	1
	Star Twin	67-8104/38	Petrol Tank	1
	A7	67-8015/17	Petrol Tank (fitted up to frame number ZA7-4487 (rigid) and ZA7S-7034 (spring frame) (up to 1950)	1
	A7	67-8045/17	Petrol tank (fitted on and after frame number ZA7-4488 (rigid) and ZA7S-7035 (spring frame) (up to 1950)	1
	Star Twin	67-8016/19	Petrol tank (fitted up to frame number ZA7S-7034) (up to 1950)	1
	Star Twin	67-8046/19	Petrol Tank (fitted on and after frame number ZA7S-7035) (up to 1950)	1
	A7	67-8047/17	Petrol Tank (up to 1953)	1
	Star Twin	67-8047/19	Petrol Tank (up to 1953)	1
3	A7, A10 and Star Twin	67-8108	Petrol tank front mounting tube bush (rubber)	2
4	A7, A10 and Star Twin	67-8109	Petrol tank front mounting tube	2
5	A7, A10 and Star Twin	27-5676	Petrol tank front fixing bolt washer	2
6	A7 and Star Twin	65-8326	Petrol tank front fixing bolt	1
7	A7, A10 and Star Twin	29-7898	Petrol tank filler cap	1
8	A7, A10 and Star Twin	29-8810	Front brake control complete (less cable and cover)	1
9	A7, A10 and Star Twin	65-8501	Throttle twist grip	1
10	A7, A10 and Star Twin	66-8896	Air control complete (less cable and cover)	1
11	A7 and Star Twin	67-8521	Throttle cable and cover complete	1
	A10	67-8595	Throttle cable and cover complete	1
12	A7 and Star Twin	67-8555	Air control cable and cover complete	1
	A10	67-8592	Air control cable and cover complete	1
13	Star Twin	65-8714	Ignition control cable and cover complete (for use with manual control magneto)	1
14	Star Twin	66-8810	Ignition control lever complete (for use with manual control magneto)	1
15	A7, A10 and Star Twin	65-8502	Dummy grip (left hand)	1
16	A7, A10 and Star Twin	29-8820	Clutch control complete (less cable and cover)	1
17	A7, A10 and Star Twin	67-8681	Clutch control cable and cover complete	1
18	A7, A10 and Star Twin	65-4960	Handlebar complete (less controls)	1
19	A7 and Star Twin	65-8675	Front brake cable and cover complete	1
	A10	67-8610	Front brake cable and cover complete	1
20	A7, A10 and Star Twin	66-4707	Petrol tank front fixing bolt washer (shakeproof)	1
21	A7, A10 and Star Twin	2-46	Petrol tank front fixing bolt nut	1
22	A7 and A10	65-8317	Petrol tank badge screw	4
23	A7	65-8217	Petrol tank badge screw washer	2
24	A7	65-8209	Petrol tank badge complete (nearside)	1
	A7	65-8207	Petrol tank badge complete (offside)	1
25	A7 and Star Twin	67-4596	Air cleaner and carburettor connection (rubber)	1
26	A7, A10 and Star Twin	67-4588	Air cleaner and carburettor connection spring clip	1
27	A7, A10 and Star Twin	65-2352	Battery carrier swivel block (plain)	1
28	A7, A10 and Star Twin	29-4657	Battery carrier strap	1
29	A7, A10 and Star Twin	29-4662	Battery strap bolt saddle washer	1
30	A7, A10 and Star Twin	29-4661	Battery strap bolt	1
31	A7, A10 and Star Twin	29-4665	Battery locating strip complete	1
32	A7, A10 and Star Twin	29-4664	Battery carrier hinge pin	1
33	A7, A10 and Star Twin	29-3319	Air cleaner element fixing screw washer (shakeproof)	2
34	A7, A10 and Star Twin	2-498	Air cleaner element fixing screw	3
35	A7, A10 and Star Twin	67-8313	Air cleaner fixing screw	1
36	A7, A10 and Star Twin	24-8784	Air cleaner fixing screw washer (spring)	1
37	A7, A10 and Star Twin	67-4600	Air cleaner element	1
38	A7, A10 and Star Twin	67-4594	Air cleaner and battery carrier complete (less element)	1
39	A7, A10 and Star Twin	65-2353	Battery carrier swivel block (tapped)	1
40	A7, A10 and Star Twin	2-46	Petrol tank rear support stud nut	2
41	A7, A10 and Star Twin	66-4707	Petrol tank rear support stud washer (shakeproof)	2
42	A7, A10 and Star Twin	67-8109	Petrol tank rear mounting tube	2
43	A7, A10 and Star Twin	24-8504	Petrol tap washer (fibre)	2
44	A7, A10 and Star Twin	67-8108	Petrol tank rear mounting tube bush (rubber)	2
45	A7, A10 and Star Twin	67-8074	Petrol tank rear support stud	1
46	A7, A10 and Star Twin	67-8092	Petrol tap	2
47	A7, A10 and Star Twin	67-8094	Flexible petrol pipe complete	1
48	A7, A10 and Star Twin	15-541	Dual seat front support bracket fixing stud nut	2
49	A7, A10 and Star Twin	2-1945	Dual seat front support bracket fixing stud washer	2
50	A7, A10 and Star Twin	67-9089	Dual seat front support bracket	1
51	A7, A10 and Star Twin	67-9095	Dual seat front support fixing stud	1
52	A7, A10 and Star Twin	27-6037	Dual seat rear support bracket and mudguard stay fixing bolt	2
53	A7, A10 and Star Twin	2-923	Dual seat rear support bracket and mudguard stay fixing bolt washer	2
54	A7, A10 and Star Twin	67-9094	Dual seat rear support bracket (nearside)	1

ACCESSORIES—"A" GROUP

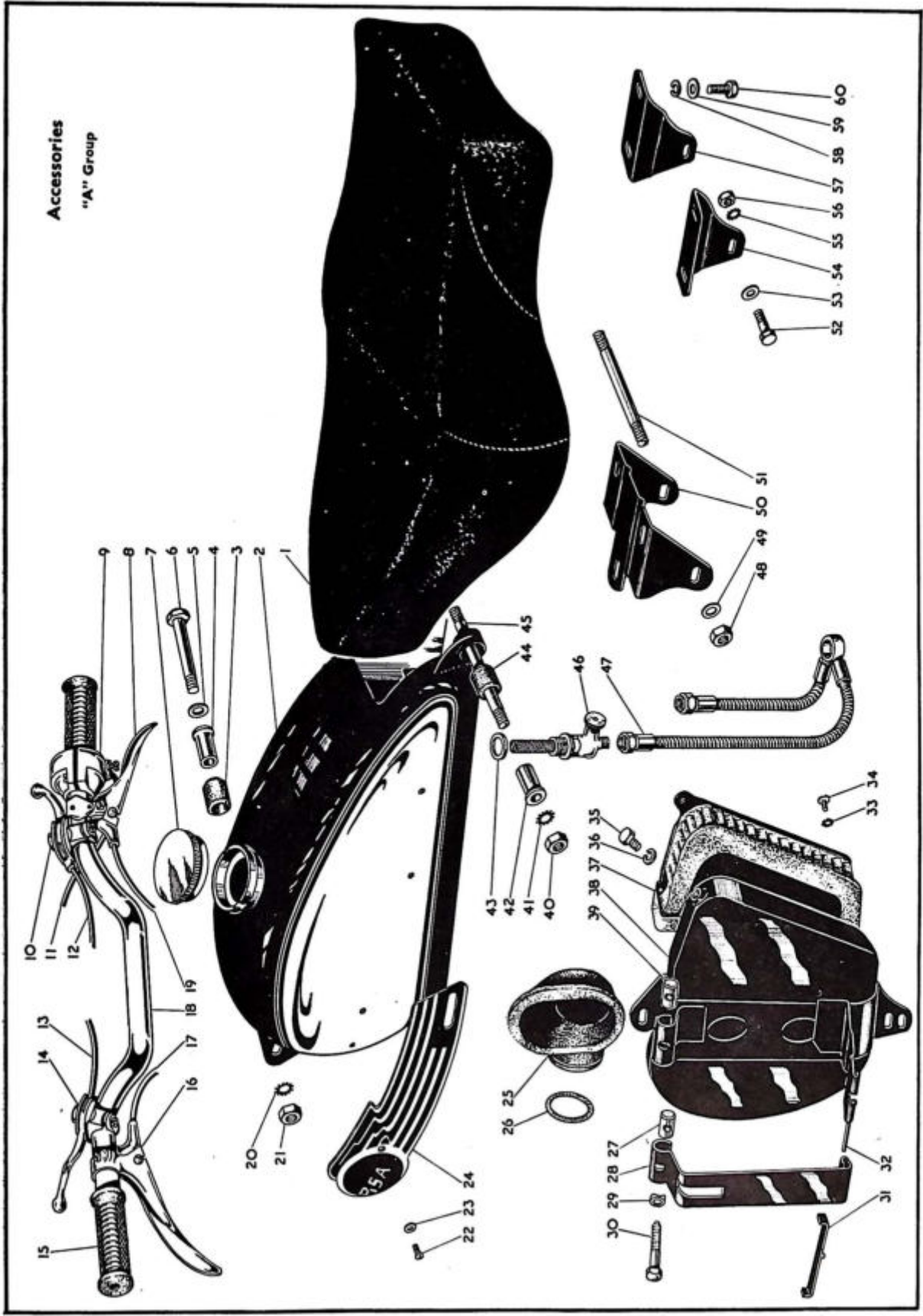


Plate 9—continued

ACCESSORIES—"A" GROUP

A7, A10 and Star Twin

Plate Ref. Number	Model	Part No.	Description	Number per set
55 ..	A7, A10 and Star Twin ..	36-382 ..	Dual seat near support bracket and mudguard stay fixing bolt washer (shakeproof)	2
56 ..	A7, A10 and Star Twin ..	2-49 ..	Dual seat rear support bracket and mudguard stay fixing bolt nut	2
57 ..	A7, A10 and Star Twin ..	67-9093 ..	Dual seat rear support bracket (offside)	1
58 ..	A7, A10 and Star Twin ..	35-33 ..	Dual seat fixing bolt washer (spring)	7
59 ..	A7, A10 and Star Twin ..	2-923 ..	Dual seat fixing bolt washer (plain)	7
60 ..	A7, A10 and Star Twin ..	2-129 ..	Dual seat fixing bolt	7

Plate 10

ACCESSORIES—"A" GROUP

A7, A10 and Star Twin

Plate Ref. Number	Model	Part No.	Description	Number per set
1 ..	A10	67-4589 ..	Air cleaner and carburettor connection (rubber)	1
2 ..	A10	67-8111 ..	Petrol tank rear support stud distance collar	2
3 ..	A10	67-8105/26 ..	Petrol tank	1
	A10	67-8105/17 ..	Petrol tank	1
	A10	67-8072/17 ..	Petrol tank (up to 1953)	1
	A10	67-8072/26 ..	Petrol tank (up to 1953)	1
4 ..	A10	27-5690 ..	Petrol tank rear support stud	1
5 ..	A7, A10 and Star Twin ..	65-8206 ..	Knee grip (left hand)	1
	A7, A10 and Star Twin ..	65-8205 ..	Knee grip (right hand)	1
6 ..	Star Twin	65-8200 ..	Petrol tank badge rubber ring	2
7 ..	Star Twin	67-8116 ..	Petrol tank badge	2
8 ..	Star Twin	65-8201 ..	Petrol tank badge screw	4
9 ..	A10	67-8071 ..	Petrol tank badge (nearside)	1
	A10	67-8070 ..	Petrol tank badge (offside)	1
10 ..	A10	67-8076 ..	Petrol tank front fixing bolt	1
11 ..	Star Twin	65-6576 ..	Front number plate complete	1
12 ..	Star Twin	2-1462 ..	Front number plate stud washer	2
13 ..	Star Twin	2-2395 ..	Front number plate stud nut	2
14 ..	Star Twin	65-6605 ..	Front mudguard with fixed fittings	1
	Star Twin	67-6543 ..	Front mudguard with fixed fittings (up to 1951)	1
15 ..	Star Twin	65-6607 ..	Front mudguard stay	1
16 ..	Star Twin	65-6606 ..	Front mudguard support bridge	1
17 ..	A7, A10 and Star Twin ..	2-510 ..	Rear brake rod toggle end screw	1
18 ..	A7, A10 and Star Twin ..	2-443 ..	Rear brake toggle end screw nut	1
19 ..	Star Twin	65-6608 ..	Front stand complete	1
20 ..	A7, A10 and Star Twin ..	67-7033 ..	Rear brake rod complete	1
21 ..	A7, A10 and Star Twin ..	2-2395 ..	Rear brake rod abutment nut	1
22 ..	A7, A10 and Star Twin ..	15-1312 ..	Rear brake rod spring	1
23 ..	A7, A10 and Star Twin ..	65-6274 ..	Rear brake rod swivel pin	1
24 ..	A7, A10 and Star Twin ..	67-7031 ..	Rear brake rod adjusting nut extension tube	1
25 ..	A7, A10 and Star Twin ..	29-7368 ..	Rear brake rod adjusting nut	1

Plate 10

ACCESSORIES—"A" GROUP

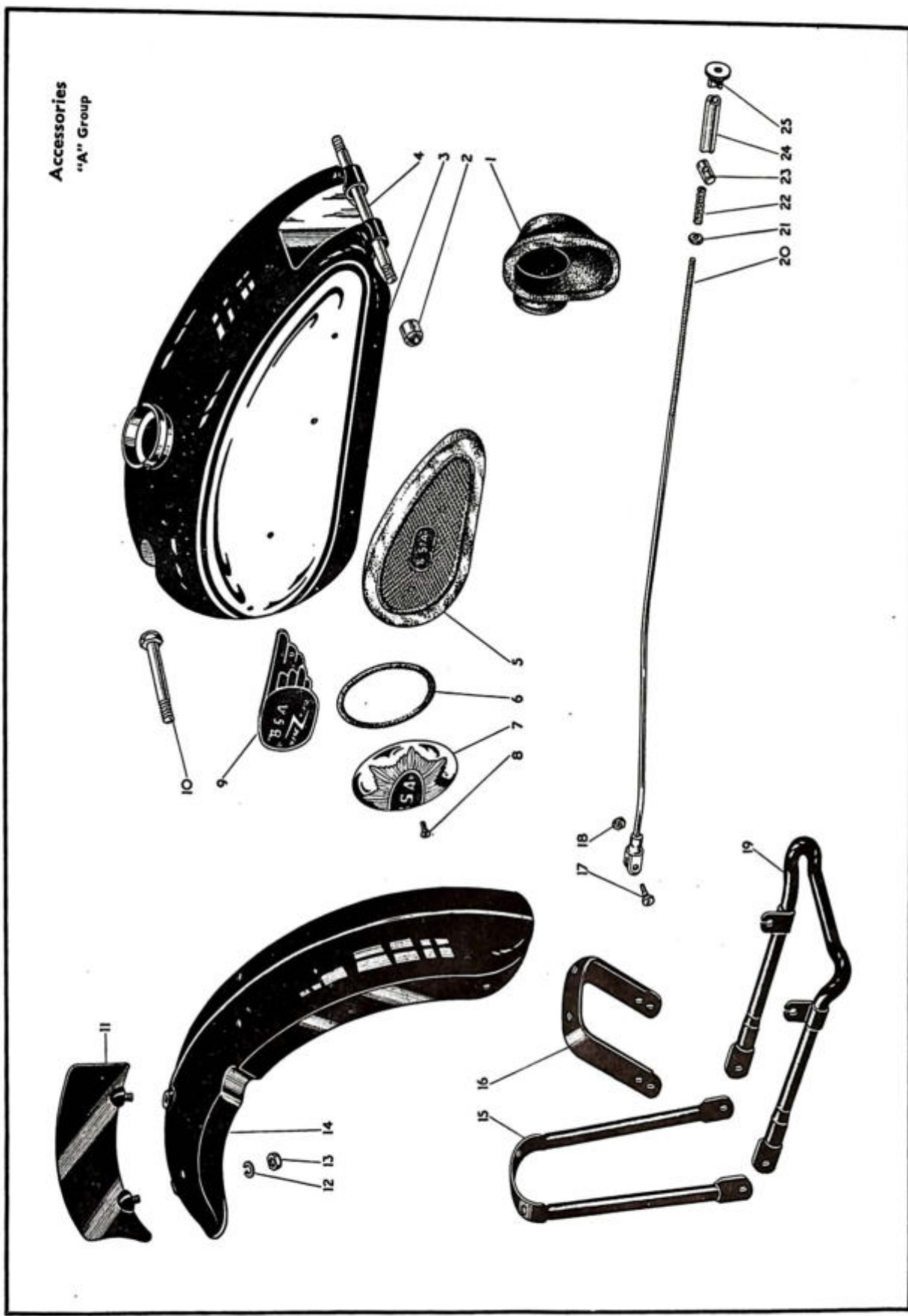


Plate 11

TOOLS & SUNDRIES—"A" GROUP

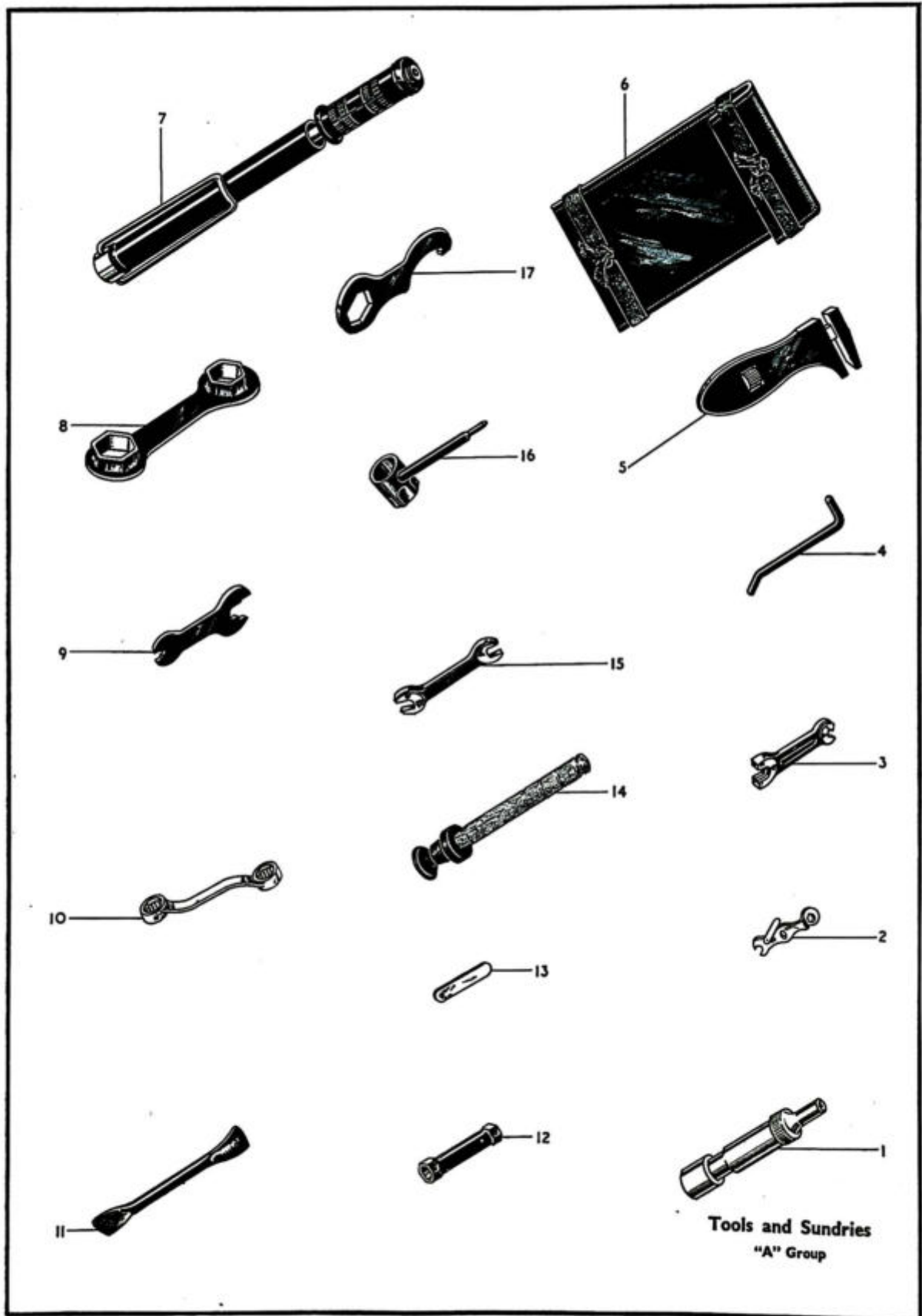


Plate 11

**TOOLS AND SUNDRIES
"A" GROUP**

Plate Ref. Number.	Model.	Part No.	Description.	Number per set.
1	A7, A10 and Star Twin	28-4265	Grease gun	1
2	A7, A10 and Star Twin	29-9251	Magdyno spanner	1
3	A7, A10 and Star Twin	1-3051	Double ended spanner	1
4	A7, A10 and Star Twin	29-9253	Tommy bar	1
5	A7, A10 and Star Twin	2-824	Adjustable spanner	1
6	A7, A10 and Star Twin	65-9205	Toolbag	1
7	A7, A10 and Star Twin	67-9052	Inflator	1
8	A7, A10 and Star Twin	65-9245	Rear hub spindle nut spanner	1
9	A7, A10 and Star Twin	65-9246	Carburettor and tappet adjusting spanner	1
10	A7, A10 and Star Twin	67-9026	Box spanner	1
11	A7, A10 and Star Twin	29-9252	Tyre lever	1
12	A7, A10 and Star Twin	67-9023	Cylinder head bolt box spanner	1
13	A7, A10 and Star Twin	65-9125	Feeler gauge	1
14	A7, A10 and Star Twin	65-9240	Valve grinding tool	1
15	A7, A10 and Star Twin	67-9025	Double ended spanner	1
16	A7, A10 and Star Twin	66-9132	Sparking plug spanner	1
17	A7, A10 and Star Twin	65-9243	Fork top nut and gland nut spanner	1

CRANKCASE

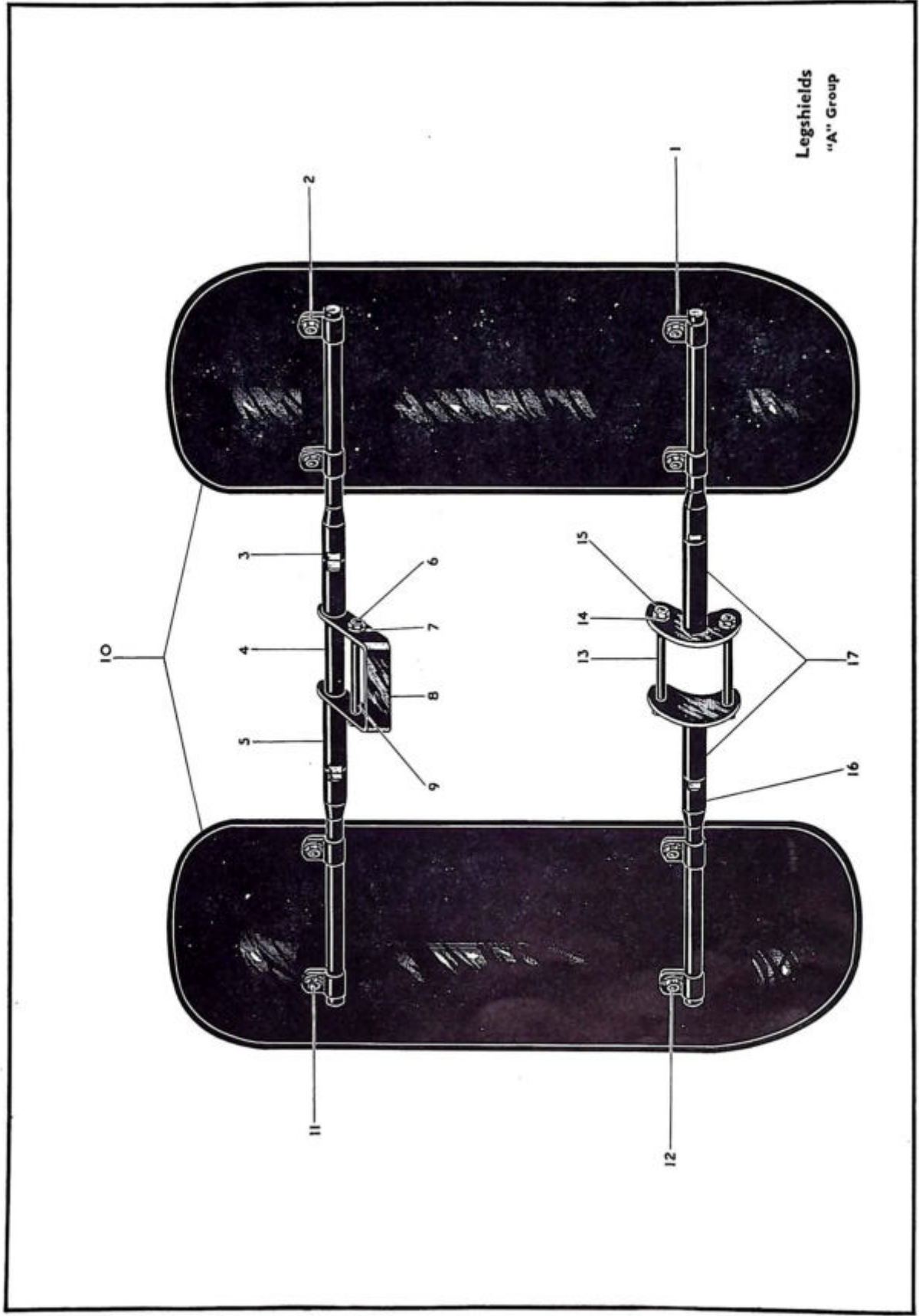
IF ONE SIDE ONLY IS NEEDED THE OTHER SIDE SHOULD
BE SENT TO BE CORRECTLY FITTED. FAILING THIS, A
PERFECT FIT CANNOT BE GUARANTEED



**GOES ALL OVER THE
WORLD**

Plate 12

LEGSIELDS—"A" GROUP



Legshields
"A" Group

Plate 12

**LEGSHIELDS
"A" GROUP**

Plate Ref. Number	Model.	Part No.	Description.	Number per set.
1	A7, A10 and Star Twin	67-7201	Legshields assembled complete	1
2	A7, A10 and Star Twin	66-7353	Legshield support tube clip	8
3	A7, A10 and Star Twin	27-8560	Legshield support tube clip washer	8
4	A7, A10 and Star Twin	67-7205	Legshield top cross tube adaptor	1
5	A7, A10 and Star Twin	67-7204	Legshield top cross tube spacing sleeve	1
6	A7, A10 and Star Twin	67-7205	Legshield top cross tube adaptor	1
7	A7, A10 and Star Twin	2-46	Cross tube adaptor stud nut	2
8	A7, A10 and Star Twin	2-522	Cross tube adaptor stud washer	2
9	A7, A10 and Star Twin	67-7203	Legshield top cross tube clamp	1
10	A7, A10 and Star Twin	27-5683	Legshield top cross tube adaptor stud	2
11	A7, A10 and Star Twin	67-7202	Legshield only	2
12	A7, A10 and Star Twin	15-7161	Legshield support tube clip screw	8
13	A7, A10 and Star Twin	2-2395	Legshield support tube clip nut	8
14	A7, A10 and Star Twin	29-7670	Crankcase and legshield bottom fixing plate stud	2
15	A7, A10 and Star Twin	36-382	Crankcase and legshield bottom fixing plate stud washer	4
16	A7, A10 and Star Twin	2-49	Crankcase and legshield bottom fixing plate stud washer	4
17	A7, A10 and Star Twin	66-7351	Legshield support tube complete	4
		67-7208	Bottom cross tube fixing complete	2

**BUMPER BAR
"A" GROUP**

Part No.	Description	Number per set
67-4920	Front bumper bar assembled complete	1
67-4923	Front bumper bar bracket (top)	2
67-4924	Front bumper bar bracket (bottom)	2
67-4925	Front bumper bar bush	1
24-5658	Front bumper bar bolt	1
2-1925	Front bumper bar nut	1
3-110	Front bumper bar washer (spring)	1
27-6275	Frame, crankcase and exhaust pipe lug stud (replaces 67-1251 when bumper bars are fitted)	1

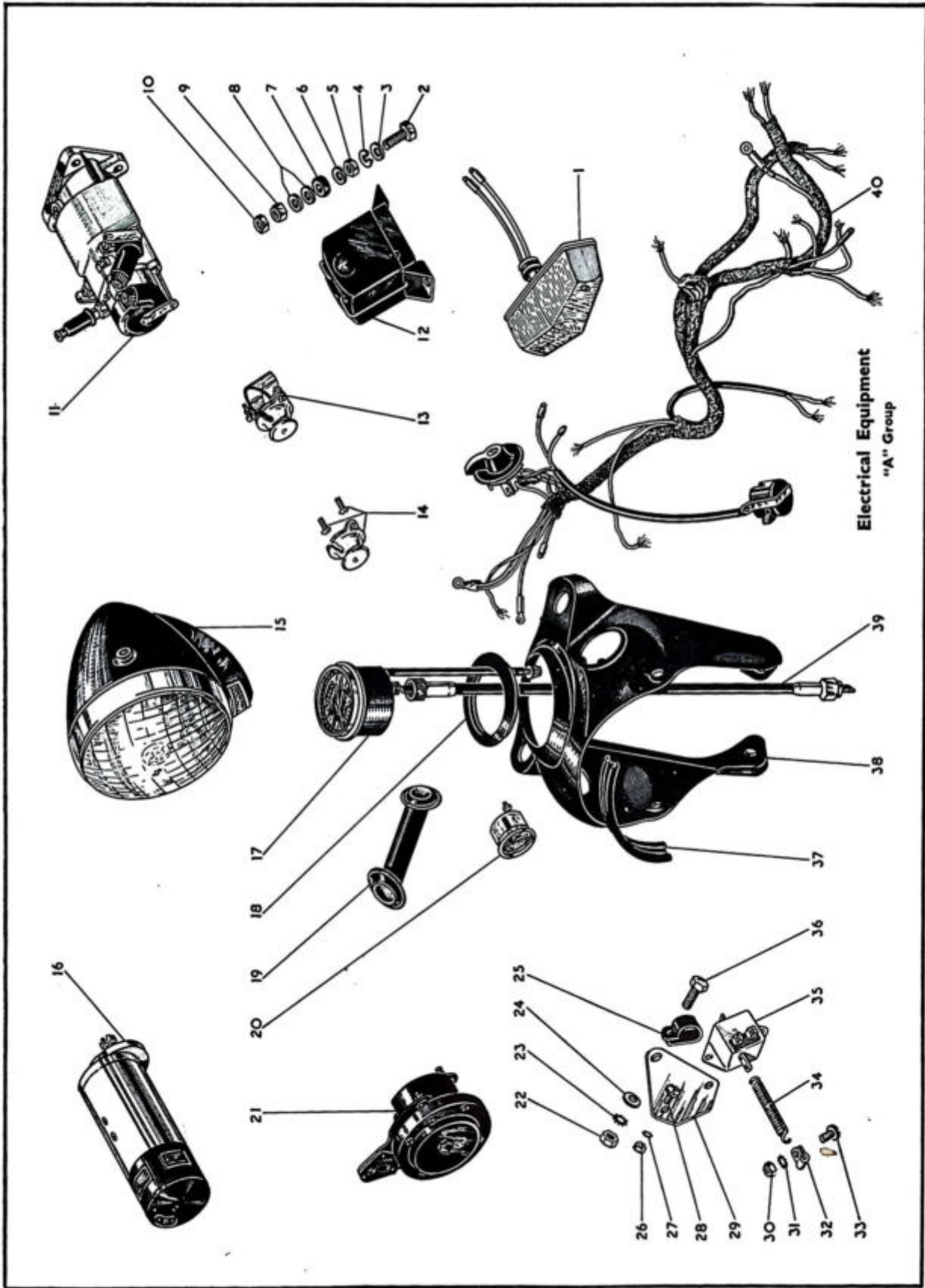
Plate 13

ELECTRICAL EQUIPMENT
"A" GROUP

Plate Ref. Number	Model.	Part No.	Description.	Number per set.
1	A7, A10 and Star Twin	19-1000	Stop lamp	1
	A7, A10 and Star Twin	19-1001/7	Tail lamp (up to 1953)	1
2	A7, A10 and Star Twin	2-14	Voltage control bolt	2
3	A7, A10 and Star Twin	2-1374	Voltage control bolt washer (plain)	2
4	A7, A10 and Star Twin	24-8784	Voltage control bolt washer (shakeproof)	2
5	A7, A10 and Star Twin	2-2395	Voltage control bolt nut	2
6	A7, A10 and Star Twin	27-8560	Voltage control bolt washer (bottom)	2
7	A7, A10 and Star Twin	15-7383	Voltage control support rubber	2
8	A7, A10 and Star Twin	27-8560	Voltage control bolt washer (top)	4
9	A7, A10 and Star Twin	2-2395	Voltage control bolt nut (top)	2
10	A7, A10 and Star Twin	2-443	Voltage control bolt locknut	2
11	A7 and A10	19-1210	Magneto	1
	Star Twin	19-1203	Magneto	1
12	A7, A10 and Star Twin	19-1515	Voltage control	1
13	A7, A10 and Star Twin	19-1472	Cut-out	1
14	A7, A10 and Star Twin	19-2012	Horn push	1
15	A7, A10 and Star Twin	19-511/37	Headlamp (cowl fitting)	1
		19-512/39		
		19-513/24		
	A7, A10 and Star Twin	19-514	Headlamp (up to 1953)	1
16	A7, A10 and Star Twin	19-1207	Dynamo	1
17	A7	19-2112	Speedometer (solo and sidecar) (120 m.p.h.)	1
	A7	19-2123	Speedometer (solo and sidecar) (180 k.p.h.)	1
	Star Twin	19-2109	Speedometer (solo) (120 m.p.h.)	1
	Star Twin	19-2121	Speedometer (solo) (180 k.p.h.)	1
	A10 and Star Twin	19-2112	Speedometer (sidecar) (120 m.p.h.)	1
	A10 and Star Twin	19-2123	Speedometer (sidecar) (180 k.p.h.)	1
	A10	19-2111	Speedometer (solo) (120 m.p.h.)	1
	A10	19-2122	Speedometer (solo) (180 k.p.h.)	1
	A7	19-2106	Speedometer (solo) (120 m.p.h.) (up to 1953)	1
	A7	19-2120	Speedometer (solo) (180 k.p.h.) (up to 1953)	1
	A7, A10 and Star Twin	19-2106	Speedometer (sidecar) (120 m.p.h.) (up to 1953)	1
	A7, A10 and Star Twin	19-2120	Speedometer (sidecar) (180 k.p.h.) (up to 1953)	1
	Star Twin	19-2110	Speedometer (solo) (120 m.p.h.) (up to 1953)	1
	Star Twin	19-2119	Speedometer (solo) (180 k.p.h.) (up to 1953)	1
	A10	19-2107	Speedometer (solo) (120 m.p.h.) (up to 1953)	1
	A10	19-2114	Speedometer (solo) (180 k.p.h.) (up to 1953)	1
18	A7, A10 and Star Twin	67-5088	Speedometer and headlamp cowl rubber ring	1
19	A7, A10 and Star Twin	19-2126	Speedometer cable rubber grommet	1
20	A7, A10 and Star Twin	19-469	Ammeter	1
21	A7, A10 and Star Twin	67-9068	Electric horn	1
	A7, A10 and Star Twin	19-2004	Electric horn (up to 1953)	1
22	A7, A10 and Star Twin	2-49	Stop light switch plate clip bolt nut	1
23	A7, A10 and Star Twin	36-382	Stop light switch plate clip bolt washer	1
24	A7, A10 and Star Twin	2-923	Stop light switch plate clip bolt washer (plain)	1
25	A7, A10 and Star Twin	24-8927	Stop light switch plate clip	1
26	A7, A10 and Star Twin	2-47	Stop light switch screw nut	1
27	A7, A10 and Star Twin	29-3319	Stop light switch screw washer	2
28	A7, A10 and Star Twin	2-1309	Stop light switch screw	2
29	A7, A10 and Star Twin	29-9342	Stop light switch plate	1
30	A7, A10 and Star Twin	2-1588	Stop light spring clip nut	1
31	A7, A10 and Star Twin	29-3319	Stop light spring clip screw washer	1
32	A7, A10 and Star Twin	65-9228	Stop light spring clip	1
33	A7, A10 and Star Twin	65-5912	Stop light spring clip screw	1
34	A7, A10 and Star Twin	65-9231	Stop light operating spring	1
35	A7, A10 and Star Twin	19-1106	Stop light switch	1
36	A7, A10 and Star Twin	28-2338	Stop light switch plate and clip bolt	1
37	A7, A10 and Star Twin	65-5087	Headlamp rubber extrusion	1
38	A7, A10 and Star Twin	67-5084	Headlamp cowl	1
39	A7, A10 and Star Twin	67-9063	Speedometer cable	1
	A7, A10 and Star Twin	67-9057	Speedometer cable (4-speed) (used up to 1953)	1
40	A7, A10 and Star Twin	19-657	Cable harness with switch and dipper switch	1

Plate 13

ELECTRICAL EQUIPMENT—"A" GROUP



Electrical Equipment
"A" Group

SIDECAR CHASSIS

No. 22 and No. 23.

DESCRIPTION.	No. 22	No. 23
FRONT STAY.		
Front stay complete	3-1720	3-1720
Front stay cone nut	3-345	3-345
Front stay cone nut washer (spring)	3-108	3-108
Front stay cone collar	3-1792	3-1792
Front connecting lug	3-1373	3-1748
Front connecting lug bolt	3-1372	3-1372
Front connecting lug bolt split pin	35-713	35-713
Front connecting lug bolt nut	3-953	3-953
Front connecting lug stud nut	—	2-46(2)
Front connecting lug bolt packing washer (plain)	24-5914	24-5914
Front connecting lug stud washer (plain)	—	2-833(2)
Front connecting lug clip bolt	3-1271	3-1271
Front connecting lug clip bolt washer (spring)	3-110	3-111
FRONT SUPPORT TUBE.		
Front support tube complete with bolts and nuts	3-1719	3-1719
Front support tube	3-1716	3-1716
Front bottom connection	3-1259	3-1259
Front bottom connection bolt	3-1271	3-1271
Front bottom connection bolt nut	2-1925	2-1925
Front support tube bolt (motor cycle end)	3-619	3-619
Front bottom tube bolt nut (motor cycle end)	2-46	2-46
SADDLE PILLAR.		
Saddle pillar adjusting tube complete	3-1724	3-1724
Saddle pillar tube complete	3-1725	3-1725
Saddle pillar telescopic tube complete	3-1603	3-1603
Saddle pillar telescopic tube lug	3-1258	3-1258
Saddle pillar tube lug bolt	3-1271	3-1271
Saddle pillar tube lug bolt nut	2-1925	2-1925
Saddle pillar telescopic tube bottom lug	3-1252	3-1252
Saddle pillar telescopic tube bottom lug bolt	3-1289	3-1289
Saddle pillar telescopic tube bottom lug bolt nut	2-1925	2-1925
Saddle pillar telescopic tube bottom washer (spherical)	3-1290(2)	3-1290(2)
Saddle pillar telescopic tube bottom lug bolt washer (spring)	15-716	15-716
Saddle pillar tube lug bolt	3-1393	3-1393
Saddle pillar connecting bolt nut	3-1137	3-1137
Saddle pillar connecting bolt washer (spring)	3-107	3-107
Saddle pillar connecting bolt washer	30-729(2)	30-729(2)
Saddle pillar tube lug bolt	3-619	3-619
Saddle pillar tube lug bolt nut	2-46	2-46
Saddle pillar tube lug bolt washer (spring)	3-111	3-111
INSIDE STRUT.		
Inside strut complete	3-9263	3-9263
Tube end spindle washer (plain)	24-5914	24-5914
Tube end spindle nut	3-953	3-953
Tube end spindle split pin	35-713	35-713
MAIN FRAME.		
Axle tube complete	3-1709	3-1709
Main rear connection	3-1700	3-1700
Main rear connection washer (spherical)	3-663	3-663
Main rear washer (double spring)	3-664	3-664
Main rear connection nut	2-1946	2-1946
Main rear connection grease nipple	28-2080	28-2080
Main rear connection split pin	35-722	35-722
Wheel bracket	3-1701	3-1701

Figures in brackets denote number per set.

SIDE CAR CHASSIS—continued

No. 22 and No. 23.

DESCRIPTION.	No. 22	No. 23
OUTSIDE TIE.		
Outside tie complete	3-9264	3-9264
Tube end spindle washer (plain)	24-5914	24-5914
Tube end spindle nut	3-953	3-953
Tube end spindle split pin	35-713	35-713
FRONT SPRING (TWIN).		
Front spring	3-861(2)	3-861(2)
Front spring cup	3-839(2)	3-839(2)
Front spring bracket	3-603(2)	3-1021(2)
Front spring bracket bolt	30-1215(4)	30-1215(4)
Front spring bracket bolt washer (spring)	35-33(4)	35-33(4)
Front spring clamp plate	3-641(2)	3-641(2)
Front spring connecting bolt nut	2-46(2)	2-46(2)
Front spring bearer bar	3-1369	3-1750
Front spring connecting bolt washer (spring)	3-111(2)	3-111(2)
Front spring (inner)	—	3-1080
Front spring connecting bolt	2-803(2)	2-803(2)
REAR SPRING.		
Rear spring complete with bush	3-1746(2)	3-1746(2)
Rear spring bush	3-1706(2)	3-1706(2)
Rear spring shackle complete with bush	3-1704(2)	3-1704(2)
Rear spring shackle bush	3-1706(2)	3-1706(2)
Rear spring shackle bolt	3-1383(2)	3-1383(2)
Rear spring shackle bolt nut	15-5753(2)	15-5753(2)
Rear spring shackle bolt washer (spring)	3-107(2)	3-107(2)
Rear spring shackle grease nipple	28-2080	28-2080
Rear bearer bar	3-1703	3-1703
Rear bearer bar nut	3-1509(2)	3-1509(2)
Rear bearer bar split pin	35-708(2)	35-708(2)
Rear bearer bar washer (plain)	2-1945(2)	2-1945(2)
Rear bearer bar thrust washer	24-875(2)	24-875(2)
Rear bearer bar connecting bolt (for No. 47 sidecar body only)	65-4185(2)	65-4185(2)
Rear bearer bar connecting bolt nut	2-46(2)	2-46(2)
Rear bearer bar connecting bolt washer (spring)	3-111(2)	3-111(2)
Rear bearer bar connecting bolt clamp washer (plain)	30-650(2)	30-650(2)
Rear bearer bar connecting bolt (for No. 48 commercial box body)	3-1712(2)	3-1712(2)
Rear spring plate	3-1714(4)	3-1714(4)
Rear spring plate clamp stud	3-1715(8)	3-1715(8)
Rear spring plate clamp stud nut	2-49(8)	2-49(8)
Rear spring plate clamp stud washer (spring)	35-33(8)	35-33(8)
SIDE CAR STAND.		
Sidecar stand	3-1379	3-1379
Sidecar stand bolt	2-803	2-803
Sidecar stand bolt nut	2-1813	2-1813
Sidecar stand bolt washer (spring)	2-995	2-995

Figures in brackets denote number per set.

SIDECAR CHASSIS—continued

No. 22 and No. 23.

DESCRIPTION.	No. 22	No. 23
WHEEL AND HUB.		
Wheel complete (less tyre, spindle and bearings)	3-9380	3-9380
Wheel rim (WM 3-19)	3-9381	3-9381
Wheel spoke	27-7010(40)	27-7010(40)
Wheel spoke nipples	27-6810(40)	27-6810(40)
Hub shell complete with cups	3-9077	3-9077
Hub shell grease nipple	28-2080	28-2080
Hub ball bearings	$\frac{1}{2}$ " (31)	$\frac{1}{2}$ " (31)
Hub spindle	3-1702	3-1702
Wheel spindle castle nut	3-1116	3-1116
Wheel spindle split pin	35-705	35-705
Hub cup (large)	3-36	3-36
Hub cup (small)	3-37	3-37
Hub spindle cone (fixed)	3-1241	3-1241
Hub spindle cone (adjusting)	3-34	3-34
Hub spindle cone washer (plain)	3-103	3-103
Hub spindle cone castle nut	3-62	3-62
Hub spindle cone castle nut split pin	35-705	35-705
Hub spindle bracket washer	27-8039	27-8039
Hub shell cap	3-1685	3-1685
MUDGUARD.		
Mudguard	3-1730	3-1730
Mudguard stays complete	3-1731	3-1731
Mudguard stay support tube complete	3-1741	3-1741
Support tube lug bolt	3-12(2)	3-12(2)
Support tube lug bolt nut	2-49(2)	2-49(2)
Support tube lug bolt washer (spring)	35-33(2)	35-33(2)
Mudguard upright stay screw	1-5945(2)	1-5945(2)
Mudguard upright stay nut	2-2395(2)	2-2395(2)
Mudguard upright stay screw washer (plain)	27-8560(2)	27-8560(2)
Mudguard upright stay screw washer (spring)	2-1462(2)	2-1462(2)
Mudguard upright stay bolt	28-2338	28-2338
Mudguard upright stay bolt nut	2-49	2-49
Mudguard upright stay bolt washer (plain)	2-2899	2-2899
Mudguard upright stay bolt washer (spring)	24-8784	24-8784
Mudguard rear stay bolt	28-2338	28-2338
Mudguard rear stay bolt nut	2-49	2-49
Mudguard rear stay bolt washer (plain)	2-2899	2-2899
Mudguard rear stay bolt washer (spring)	24-8784	24-8784
Mudguard stay fixing packing washer	3-101(2)	3-101(2)
Front and rear stay bolt	1-5945(4)	1-5945(4)
Front and rear stay bolt nut	2-2395(4)	2-2395(4)
Front and rear stay bolt washer (plain)	27-8560(4)	27-8560(4)
Front and rear stay bolt washer (spring)	2-1462(4)	2-1462(4)
Mudguard support tube bolt	31-7275	31-7275
Mudguard support tube bolt nut	27-6974	27-6974
Mudguard support bolt distance nut	24-5860	24-5860
Mudguard support lug and spindle nut complete	3-1795	3-1795
SUNDRIES.		
Sidecar lamp (Lucas ref.)	19-1109	19-1109
Sidecar lamp packing washer	31-4070	31-4070

Figures in brackets denote number per set.

STANDARD BOLTS. All Bolts are C.E.I. unless otherwise stated.

Part No.	Length under Head.	Thickness of Head.	Length of Thread.	Across Flats	Diameter.
2-14	1 1/32"	3/16"	13/16"	.440" Hex.	1/4"
2-204	1/2"	3/16"	1/2"	.440" Hex.	1/4"
2-220	3/8"	3/16"	3/8"	.440" Hex.	1/4"
2-1354	.641"	.187"	.641"	.440" Hex.	1/4"
2-1402	7/8"	1/8"	3/8"	.440" Hex.	1/4"
2-2273	7/16"	5/32"	3/8"	.440" Hex.	1/4"
24-225	.750"	.187"	3/8"	.440" Hex.	1/4"
1-5069	.625"	.187"	.625"	.525" Hex.	5/16"
2-129	.750"	.250"	.625"	.440" Hex.	5/16"
2-1934	.750"	.156"	.625"	.440" Hex.	5/16"
2-6026	1.187"	.156"	.625"	.440" Hex.	5/16"
15-480	1.109"	.250"	.781"	.525" Hex.	5/16"
15-1355	1.500"	.218"	.625"	.525" Hex.	5/16"
15-7354	.625"	.156"	.625"	.440" Hex.	5/16"
27-6311	.750"	.125"	.625"	.440" Hex.	5/16"
28-2338	.718"	.218"	.687"	.525" Hex.	5/16"
24-649	.877"	.187"	.877"	.594" Hex.	3/8"
65-4185	2.687"	.250"	.750"	.504" Hex.	3/8"

All Bolts are C.E.I. (Screwdriver slotted) unless otherwise stated.

Part No.	Length under Head.	Thickness of Head.	Length of Thread.	Across Head.	Diameter.
1-4606	.500"	.125"	.500"	.312"	3/16"
2-360	.406"	.078"	.406"	.312"	3/16"
2-498	.312"	.062"	.312"	.312"	3/16" Whit.
2-1309	.343"	.062"	.343"	.312"	3/16"
2-2582	.343"	.125"	.343"	.250"	3/16" Whit.
24-7065	.250"	.062"	.250"	.312"	3/16"
2-77	.312"	.062"	.312"	.375"	1/4"
2-79	.500"	.109"	.500"	.375"	1/4"
2-510	.656"	.093"	.375"	.375"	1/4"
2-1500	.687"	.109"	.375"	.375"	1/4"
2-2210	.718"	.062"	.562"	.562"	1/4"
2-2378	.656"	.109"	.656"	.375"	1/4"
15-7161	.500"	.125"	.312"	.500"	1/4"
2-2980	1.25"	.93"	.625"	.562"	5/16"

STANDARD NUTS. All Nuts are C.E.I. unless otherwise stated.

Part No.	Across Flats.	Thickness.	Size.	Part No.	Across Flats.	Thickness.	Size.
1-4616	.340" Hex.	.162"	3/16"	2-1813	.594" Hex.	.218"	3/8"
2-47	.312" Hex.	.140"	3/16"	3-720	.594" Hex.	.187"	3/8"
2-1588	.255" Hex.	.110"	3/16"	24-5161	.594" Hex.	.343"	3/8"
15-8147	.340" Hex.	.125"	3/16"	24-5764	.782" Hex.	.312"	3/8"
25-7151	.340" Hex.	.187"	3/16"	2-440	.594" Hex.	.312"	7/16"
1-6032	.340" Hex.	3/16"	1/4"	2-933	.525" Hex.	.375"	7/16"
2-51	.440" Hex.	.250"	1/4"	2-1925	.782" Hex.	.375"	7/16"
2-53	.440" Hex.	.109"	1/4" Whit.	15-152	.592" Hex.	.406"	7/16"
2-443	.440" Hex.	.109"	1/4"	15-541	.782" Hex.	.281"	7/16"
2-1027	.340" Hex.	1/8"	1/4"	24-5860	.594" Hex.	.187"	7/16"
2-2395	.440" Hex.	.187"	1/4"	25-4325	.919" Hex.	.540"	7/16"
2-49	.525" Hex.	.218"	5/16"	2-52	.919" Hex.	.406"	1/2"
2-833	.440" Hex.	.343"	5/16"	2-124	.782" Hex.	.203"	1/2"
2-1616	.440" Hex.	.125"	5/16"	24-7000	.782" Hex.	.250"	1/2"
15-5196	.525" Hex.	.281"	5/16"	27-6716	.782" Hex.	.187"	1/2"
15-6524	.525" Hex.	.175"	5/16"	2-835	.919" Hex.	.375"	9/16"
24-563	.440" Hex.	.187"	5/16"	15-1455	.782" Hex.	.218"	9/16"
24-6040	.525" Hex.	.156"	5/16"	24-4255	.919" Hex.	.187"	9/16"
1-1706	.594" Hex.	.250"	3/8"	28-53	.782" Hex.	.344"	9/16"
2-46	.594" Hex.	.312"	3/8"				

STANDARD WASHERS (PLAIN)

Part No.	Outside Dia.	Inside Dia.	Thickness	Part No.	Outside Dia.	Inside Dia.	Thickness
1-1804	.. .680"	.. .385"	.. .072"	2-2580	.. .500"	.. .275"	.. .064"
2-130	.. .687"	.. .380"	.. .080"	3-3525	.. .562"	.. .218"	.. .048"
2-370	.. .625"	.. .317"	.. .156"	15-39	.. .843"	.. .505"	.. .064"
2-525	.. .500"	.. .255"	.. .048"	15-431	.. .750"	.. .442"	.. .064"
2-861	.. .750"	.. .380"	.. .081"	15-5155	.. .525"	.. .328"	.. .048"
2-923	.. .625"	.. .317"	.. .062"	24-594	.. .937"	.. .505"	.. .092"
2-1096	.. .375"	.. .192"	.. .044"	24-7911	.. .875"	.. .380"	.. .156"
2-1291	.. .750"	.. .522"	.. .080"	25-7180	.. 1.00"	.. .281"	.. .048"
2-1374	.. .656"	.. .255"	.. .080"	26-9461	.. .562"	.. .203"	.. .048"
2-1945	.. .875"	.. .442"	.. .064"	27-5676	.. 1.00"	.. .380"	.. .092"
2-2138	.. .380"	.. .750"	.. .064"	27-8560	.. .625"	.. .255"	.. .048"

STANDARD WASHERS (SPRING)

Part No.	Outer Dia.	Inside Dia.	Thickness	Part No.	Outer Dia.	Inside Dia.	Thickness
2-522	.. .750"	.. .390"	.. .056"	15-716	.. .937"	.. .453"	.. .064"
2-995	.. .656"	.. .380"	.. .040" double	24-978	.. .437"	.. .255"	.. .040"
2-1462	.. .593"	.. .255"	.. .040"	24-6035	.. .593"	.. .317"	.. .040" double
2-1967	.. .875"	.. .440"	.. .064"	27-6043	.. .750"	.. .437"	.. .046" double
2-2903	.. .562"	.. .406"	.. .062"	24-8784	.. .625"	.. .315"	.. .040"
3-110	.. .441"	.. .281"	.. .080"	35-33	.. .500"	.. .343"	.. .080"
3-111	.. .614"	.. .406"	.. .104"				

STANDARD WASHERS (SHAKEPROOF)

Part No.	Outer Dia.	Inside Dia.	Part No.	Outer Dia.	Inside Dia.
29-541	.. $\frac{1}{8}$ "	.. $\frac{1}{8}$ "	36-399	.. $\frac{11}{16}$ "	.. $\frac{7}{16}$ "
29-3319	.. $\frac{3}{16}$ "	.. $\frac{1}{8}$ "	65-595	.. $\frac{11}{16}$ "	.. $\frac{7}{16}$ "
36-341	.. $\frac{11}{16}$ "	.. $\frac{11}{16}$ "	66-4707	.. $\frac{11}{16}$ "	.. $\frac{7}{16}$ "
36-382	.. $\frac{11}{16}$ "	.. $\frac{11}{16}$ "	66-4708	.. $\frac{11}{16}$ "	.. $\frac{7}{16}$ "

SPLIT PINS

Part No.	Dia.	Length	Part No.	Dia.	Length
35-698	.. $\frac{1}{16}$ "	.. 1"	35-709	.. $\frac{3}{16}$ "	.. $1\frac{1}{2}$ "
35-701	.. $\frac{1}{8}$ "	.. $1\frac{1}{2}$ "	35-710	.. $\frac{1}{8}$ "	.. $1\frac{1}{2}$ "
35-705	.. $\frac{3}{16}$ "	.. $1\frac{1}{2}$ "	35-700	.. $\frac{1}{8}$ "	.. $1\frac{1}{2}$ "
35-706	.. $\frac{3}{16}$ "	.. 1"	2-856	.. $\frac{1}{8}$ "	.. $1\frac{1}{2}$ "
35-707	.. $\frac{3}{16}$ "	.. 1"			

TRANSMISSION CHAINS—"A" GROUP

Model	Part No.	Description	Number per Set
A7 (Rigid)	67-1703	Front (Duplex) .375" x .250" dia. roller x 80 pitches	1
"	67-9041	Rear (Solo) $\frac{1}{8}$ " x $\frac{3}{8}$ " x .400" roller x 102 pitches	1
"	67-9042	Rear (sidecar) $\frac{1}{8}$ " x $\frac{3}{8}$ " x .400" roller x 103 pitches	1
"	29-2199	Dynamo 8 mm. x 5 mm. dia. roller x 3 mm. wide x 48 pitches	1
A7 (Spring) & Star Twin	67-1703	Front (Duplex) .375" x .250" dia. roller, x 80 pitches	1
"	67-9041	Rear (Solo) $\frac{1}{8}$ " x $\frac{3}{8}$ " x .400" roller x 102 pitches	1
"	67-9045	Rear (sidecar) $\frac{1}{8}$ " x $\frac{3}{8}$ " x .400" roller x 104 pitches	1
"	29-2199	Dynamo 8 mm. x 5 mm. dia. roller x 3 mm. wide x 48 pitches	1
A10 (Rigid)	67-1703	Front (Duplex) .375" x .250" dia. roller x 80 pitches	1
"	67-9046	Rear (solo) $\frac{1}{8}$ " x $\frac{3}{8}$ " x .400" roller x 100 pitches	1
"	67-9042	Rear (sidecar) $\frac{1}{8}$ " x $\frac{3}{8}$ " x .400" roller, x 103 pitches	1
"	29-2199	Dynamo 8 mm. x 5 mm. dia. roller x 3 mm. wide x 48 pitches	1
A10 (Spring)	67-1703	Front (Duplex) .375" x .250" dia. roller x 80 pitches	1
"	67-9046	Rear (solo) $\frac{1}{8}$ " x $\frac{3}{8}$ " x .400" roller x 100 pitches	1
"	67-9045	Rear (sidecar) $\frac{1}{8}$ " x $\frac{3}{8}$ " x .400" roller x 104 pitches	1
"	29-2199	Dynamo 8 mm. x 5 mm. dia. roller x 3 mm. wide x 48 pitches	1

**TO MAINTAIN THE ORIGINAL RELIABILITY AND PERFORMANCE OF YOUR B.S.A. MOTOR CYCLE FIT ONLY SPARES
MADE BY B.S.A.**

ENGINE AND FRAME MARKINGS—1949 to 1953

Year	Model	Type	Engine	Frame
1949	A7	500 cc. O.H.V. (Rigid)	ZA7-101 upwards	ZA7-101 upwards
1949	A7	500 cc. O.H.V. (Spring)	ZA7-101 upwards	ZA7S-101 upwards
1949	Star Twin	500 cc. O.H.V.	ZA7S-101 upwards	ZA7S-101 upwards
1950	A7	500 cc. O.H.V. (Rigid)	ZA7-7001 upwards	ZA7-4001 ¹ upwards
1950	A7	500 cc. O.H.V. (Spring)	ZA7-7001 upwards	ZA7S-6001 upwards
1950	Star Twin	500 cc. O.H.V.	ZA7S-4001 upwards	ZA7S-6001 upwards
1950	A10	650 cc. O.H.V. (Rigid)	ZA10-101 upwards	ZA7-4001 upwards
1950	A10	650 cc. O.H.V. (Spring)	ZA10-101 upwards	ZA7S-6001 upwards
1951	A7	500 cc. O.H.V. (Rigid)	AA7-101 upwards	ZA7-6001 upwards
1951	A7	500 cc. O.H.V. (Spring)	AA7-101 upwards	ZA7S-14001 upwards
1951	Star Twin	500 cc. O.H.V.	AA7S-101 upwards	ZA7S-14001 upwards
1951	A10	650 cc. O.H.V. (Rigid)	ZA10-4001 upwards	ZA7-6001 upwards
1951	A10	650 cc. O.H.V. (Spring)	ZA10-4001 upwards	ZA7S-14001 upwards
1952	A7	500 cc. O.H.V. (Rigid)	AA7-5001 upwards	ZA7-8001 upwards
1952	A7	500 cc. O.H.V. (Spring)	AA7-5001 upwards	ZA7S-26001 upwards
1952	Star Twin	500 cc. O.H.V.	AA7S-1001 upwards	ZA7S-26001 upwards
1952	A10	650 cc. O.H.V. (Rigid)	ZA10-12001 upwards	ZA7-8001 upwards
1952	A10	650 cc. O.H.V. (Spring)	ZA10-12001 upwards	ZA7S-26001 upwards
1953	A7	500 cc. O.H.V. (Rigid)	BA7-101 upwards	BA7-101 upwards
1953	A7	500 cc. O.H.V. (Spring)	BA7-101 upwards	BA7S-101 upwards
1953	Star Twin	500 cc. O.H.V.	BA7S-101 upwards	BA7S-101 upwards
1953	A10	650 cc. O.H.V. (Rigid)	BA10-101 upwards	BA7-101 upwards
1953	A10	650 cc. O.H.V. (Spring)	BA10-101 upwards	BA7S-101 upwards

**WHEN REPLACEMENTS BECOME NECESSARY FOR YOUR
B.S.A. MOTOR CYCLE ALWAYS FIT GENUINE B.S.A. SPARES**

PISTON CHART 1949 to 1953—"A" GROUP

MODEL	Compression ratio	PISTONS COMPLETE			COMPRESSION RINGS			SCRAPER RINGS			YEAR
		Standard	½ mm. O.S.	1 mm. O.S.	Standard	½ mm. O.S.	1 mm. O.S.	Standard	½ mm. O.S.	1 mm. O.S.	
A7	.. 6.6 to 1	.. 67-195	.. 67-197	.. 67-199	.. 67-87	.. 67-88	.. 67-89	.. 67-90	.. 67-91	.. 67-92	.. 1949
A7	.. 7 to 1	.. 67-81	.. 67-83	.. 67-85	.. 67-87	.. 67-88	.. 67-89	.. 67-90	.. 67-91	.. 67-92	.. 1949
A7	.. 7.5 to 1	.. 67-103	.. 67-105	.. 67-107	.. 67-87	.. 67-88	.. 67-89	.. 67-90	.. 67-91	.. 67-92	.. 1949
A7	.. 8.6 to 1	.. 67-93	.. 67-95	.. 67-97	.. 67-87	.. 67-88	.. 67-89	.. 67-90	.. 67-91	.. 67-92	.. 1949
A7	.. 6.6 to 1	.. 67-195	.. 67-197	.. 67-199	.. 67-87	.. 67-88	.. 67-89	.. 67-90	.. 67-91	.. 67-92	.. 1950
A7	.. 7 to 1	.. 67-81	.. 67-83	.. 67-85	.. 67-87	.. 67-88	.. 67-89	.. 67-90	.. 67-91	.. 67-92	.. 1950
A7	.. 7.5 to 1	.. 67-103	.. 67-105	.. 67-107	.. 67-87	.. 67-88	.. 67-89	.. 67-90	.. 67-91	.. 67-92	.. 1950
A7	.. 8.6 to 1	.. 67-93	.. 67-95	.. 67-97	.. 67-87	.. 67-88	.. 67-89	.. 67-90	.. 67-91	.. 67-92	.. 1950
A10	.. 6.5 to 1	.. 67-304	.. 67-306	.. 67-308	.. 67-311	.. 67-312	.. 67-313	.. 67-314	.. 67-315	.. 67-316	.. 1950
A10	.. 7.25 to 1	.. 67-365	.. 67-367	.. 67-369	.. 67-311	.. 67-312	.. 67-313	.. 67-314	.. 67-315	.. 67-316	.. 1950
A7	.. 6.7 to 1	.. 67-460	.. 67-462	.. 67-464	.. 67-407	.. 67-408	.. 67-409	.. 67-410	.. 67-411	.. 67-412	.. 1951-52
A7	.. 7.25 to 1	.. 67-466	.. 67-468	.. 67-470	.. 67-407	.. 67-408	.. 67-409	.. 67-410	.. 67-411	.. 67-412	.. 1951-52
A7 Star Twin	7.25 to 1	.. 67-533	.. 67-535	.. 67-537	.. 67-407	.. 67-408	.. 67-409	.. 67-410	.. 67-411	.. 67-412	.. 1951-52
A10	.. 6.7 to 1	.. 67-423	.. 67-425	.. 67-427	.. 67-311	.. 67-312	.. 67-313	.. 67-314	.. 67-315	.. 67-316	.. 1951-52
A10	.. 7.25 to 1	.. 67-429	.. 67-431	.. 67-433	.. 67-311	.. 67-312	.. 67-313	.. 67-314	.. 67-315	.. 67-316	.. 1951-52
A10	.. 9 to 1	.. 67-545	.. 67-547	.. 67-549	.. 67-311	.. 67-312	.. 67-313	.. 67-314	.. 67-315	.. 67-316	.. 1951-52
A10	.. 14 to 1	.. 67-551	.. 67-553	.. 67-555	.. 67-311	.. 67-312	.. 67-313	.. 67-314	.. 67-315	.. 67-316	.. 1951-52
A7	.. 6.7 to 1	.. 67-460	.. 67-462	.. 67-464	.. 67-407	.. 67-408	.. 67-409	.. 67-410	.. 67-411	.. 67-412	.. 1953
A7	.. 7.25 to 1	.. 67-466	.. 67-468	.. 67-470	.. 67-407	.. 67-408	.. 67-409	.. 67-410	.. 67-411	.. 67-412	.. 1953
A7	.. 8 to 1	.. 67-566	.. 67-568	.. 67-570	.. 67-407	.. 67-408	.. 67-409	.. 67-410	.. 67-411	.. 67-412	.. 1953
A7 Star Twin	7.25 to 1	.. 67-533	.. 67-535	.. 67-537	.. 67-407	.. 67-408	.. 67-409	.. 67-410	.. 67-411	.. 67-412	.. 1953
A10	.. 6.5 to 1	.. 67-423	.. 67-425	.. 67-427	.. 67-311	.. 67-312	.. 67-313	.. 67-314	.. 67-315	.. 67-316	.. 1953
A10	.. 7.25 to 1	.. 67-429	.. 67-431	.. 67-433	.. 67-311	.. 67-312	.. 67-313	.. 67-314	.. 67-315	.. 67-316	.. 1953
A10	.. 9.1 to 1	.. 67-545	.. 67-547	.. 67-549	.. 67-311	.. 67-312	.. 67-313	.. 67-314	.. 67-315	.. 67-316	.. 1953
A10 Super.. Flash	8 to 1	.. 67-572	.. 67-574	.. 67-576	.. 67-311	.. 67-312	.. 67-313	.. 67-314	.. 67-315	.. 67-316	.. 1953

**EVERY OWNER OF A B.S.A. MOTOR CYCLE IS STRONGLY
ADVISED TO BUY ONLY—GENUINE B.S.A. SPARE PARTS**

NUMERICAL INDEX—"A" GROUP

Part No.	Page	Ref. No.	Plate	Part No.	Page	Ref. No.	Plate
1-3051	.. 37	.. 3	.. 11	2-1374	.. 40	.. 3	.. 13
1-4606	.. 15	.. 106	.. 2	2-1462	.. 20	.. 30	.. 4
1-5069	.. 31	.. 84	.. 8	2-1462	.. 29	.. 15	.. 8
1-5069	.. 31	.. 93	.. 8	2-1462	.. 29	.. 16	.. 8
2-14	.. 40	.. 2	.. 13	2-1462	.. 31	.. 73	.. 8
2-46	.. 20	.. 11	.. 4	2-1462	.. 31	.. 77	.. 8
2-46	.. 20	.. 23	.. 4	2-1462	.. 31	.. 101	.. 8
2-46	.. 20	.. 41	.. 4	2-1462	.. 34	.. 12	.. 10
2-46	.. 20	.. 51	.. 4	2-1588	.. 40	.. 30	.. 13
2-46	.. 20	.. 52	.. 4	2-1616	.. 29	.. 13	.. 8
2-46	.. 22	.. 16	.. 5	2-1616	.. 29	.. 21	.. 8
2-46	.. 32	.. 21	.. 9	2-1925	.. 39	.. —	.. —
2-46	.. 32	.. 40	.. 9	2-1934	.. 29	.. 11	.. 8
2-46	.. 39	.. 6	.. 12	2-1945	.. 20	.. 33	.. 4
2-47	.. 40	.. 26	.. 13	2-1945	.. 22	.. 81	.. 4
2-49	.. 10	.. 45	.. 1	2-1945	.. 32	.. 49	.. 9
2-49	.. 16	.. 117	.. 2	2-1946	.. 20	.. 42	.. 4
2-49	.. 19	.. 97	.. 3	2-2138	.. 10	.. 38	.. 1
2-49	.. 20	.. 35	.. 4	2-2395	.. 20	.. 31	.. 4
2-49	.. 20	.. 46	.. 4	2-2395	.. 22	.. 69	.. 4
2-49	.. 24	.. 44	.. 6	2-2395	.. 29	.. 14	.. 8
2-49	.. 26	.. 19	.. 7	2-2395	.. 29	.. 17	.. 8
2-49	.. 29	.. 32	.. 8	2-2395	.. 31	.. 74	.. 8
2-49	.. 29	.. 36	.. 8	2-2395	.. 31	.. 76	.. 8
2-49	.. 29	.. 57	.. 8	2-2395	.. 31	.. 100	.. 8
2-49	.. 31	.. 78	.. 8	2-2395	.. 31	.. 108	.. 8
2-49	.. 34	.. 56	.. 9	2-2395	.. 34	.. 13	.. 10
2-49	.. 39	.. 15	.. 12	2-2395	.. 34	.. 21	.. 10
2-49	.. 40	.. 22	.. 13	2-2395	.. 39	.. 12	.. 12
2-51	.. 15	.. 71	.. 2	2-2395	.. 40	.. 5	.. 13
2-51	.. 15	.. 78	.. 2	2-2395	.. 40	.. 9	.. 13
2-84	.. 29	.. 41	.. 8	2-2527	.. 26	.. 25	.. 7
2-100	.. 29	.. 42	.. 8	2-2578	.. 19	.. 131	.. 3
2-129	.. 10	.. 49	.. 1	2-2579	.. 19	.. 118	.. 3
2-129	.. 34	.. 60	.. 9	2-2903	.. 20	.. 53	.. 4
2-204	.. 31	.. 86	.. 8	2-2903	.. 24	.. 2	.. 6
2-204	.. 31	.. 103	.. 8	2-3525	.. 15	.. 65	.. 2
2-220	.. 31	.. 64	.. 8	2-3718	.. 19	.. 93	.. 3
2-292	.. 24	.. 36	.. 6	2-4553	.. 19	.. 69	.. 3
2-440	.. 20	.. 22	.. 4	2-4553	.. 19	.. 111	.. 3
2-440	.. 20	.. 59	.. 4	2-6537	.. 31	.. 72	.. 8
2-440	.. 22	.. 64	.. 4	3-110	.. 39	.. —	.. —
2-440	.. 26	.. 28	.. 7	3-110	.. 20	.. 60	.. 4
2-440	.. 28	.. 1	.. 7	3-720	.. 17	.. 38	.. 3
2-443	.. 34	.. 18	.. 10	3-720	.. 28	.. 40	.. 7
2-443	.. 40	.. 10	.. 13	3-1399	.. 22	.. 9	.. 5
2-449	.. 15	.. 60	.. 2	3-1718	.. 22	.. 63	.. 4
2-449	.. 31	.. 67	.. 8	15-40	.. 12	.. 59	.. 1
2-498	.. 32	.. 34	.. 9	15-203	.. 10	.. 37	.. 1
2-510	.. 34	.. 17	.. 10	15-431	.. 28	.. 3	.. 7
2-522	.. 31	.. 68	.. 8	15-447	.. 29	.. 9	.. 8
2-522	.. 39	.. 7	.. 12	15-447	.. 29	.. 63	.. 8
2-525	.. 17	.. 37	.. 3	15-518	.. 20	.. 55	.. 4
2-525	.. 19	.. 127	.. 3	15-541	.. 20	.. 34	.. 4
2-824	.. 37	.. 5	.. 11	15-541	.. 26	.. 24	.. 7
2-833	.. 16	.. 136	.. 2	15-541	.. 32	.. 48	.. 9
2-923	.. 16	.. 109	.. 2	15-716	.. 26	.. 23	.. 7
2-923	.. 24	.. 46	.. 6	15-1312	.. 22	.. 17	.. 5
2-923	.. 19	.. 115	.. 3	15-1312	.. 34	.. 22	.. 10
2-923	.. 20	.. 17	.. 4	15-1355	.. 13	.. 102	.. 1
2-923	.. 20	.. 36	.. 4	15-1485	.. 17	.. 36	.. 3
2-923	.. 29	.. 45	.. 8	15-4207	.. 31	.. 69	.. 8
2-923	.. 29	.. 53	.. 8	15-5155	.. 12	.. 56	.. 1
2-923	.. 31	.. 85	.. 8	15-5155	.. 19	.. 132	.. 3
2-923	.. 31	.. 92	.. 8	15-5155	.. 24	.. 15	.. 6
2-923	.. 32	.. 53	.. 9	15-5290	.. 26	.. 11	.. 7
2-923	.. 34	.. 59	.. 9	15-5290	.. 28	.. 19	.. 7
2-923	.. 40	.. 24	.. 13	15-7161	.. 20	.. 28	.. 4
2-1027	.. 31	.. 80	.. 8	15-7161	.. 29	.. 27	.. 8
2-1309	.. 24	.. 35	.. 6	15-7161	.. 29	.. 31	.. 8
2-1309	.. 40	.. 28	.. 13	15-7161	.. 39	.. 11	.. 12
2-1354	.. 29	.. 37	.. 8	15-7354	.. 29	.. 23	.. 8
2-1354	.. 29	.. 61	.. 8	15-7383	.. 40	.. 7	.. 13

NUMERICAL INDEX "A" GROUP—continued

Part No.	Page	Ref. No.	Plate	Part No.	Page	Ref. No.	Plate
19-469	.. 40	.. 20	.. 13	25-7151	.. 15	.. 104	.. 2
19-511/37	.. 40	.. 15	.. 13	26-650	.. 17	.. 24	.. 3
19-512/39	.. 40	.. 15	.. 13	27-1386	.. 13	.. 31	.. 2
19-513/24	.. 40	.. 15	.. 13	27-1589	.. 16	.. 130	.. 2
19-514	.. 40	.. 15	.. 13	27-4401	.. 19	.. 113	.. 3
19-657	.. 40	.. 40	.. 13	27-5135	.. 24	.. 13	.. 6
19-1000	.. 40	.. 1	.. 13	27-5152	.. 24	.. 41	.. 6
19-1001/7	.. 40	.. 1	.. 13	27-5676	.. 32	.. 5	.. 9
19-1106	.. 40	.. 35	.. 13	27-5683	.. 39	.. 9	.. 12
19-1203	.. 40	.. 11	.. 13	27-5690	.. 34	.. 4	.. 10
19-1207	.. 40	.. 16	.. 13	27-6037	.. 32	.. 52	.. 9
19-1210	.. 40	.. 11	.. 13	27-6275	.. 39	.. —	.. —
19-1429	.. 15	.. 48	.. 2	27-6275	.. 20	.. 14	.. 4
19-1472	.. 40	.. 13	.. 13	27-6810	.. 26	.. 5	.. 7
19-1473	.. 15	.. 54	.. 2	27-6813	.. 28	.. 32	.. 7
19-1515	.. 40	.. 12	.. 13	27-8560	.. 29	.. 28	.. 8
19-1577	.. 15	.. 51	.. 2	27-8560	.. 29	.. 30	.. 8
19-2004	.. 40	.. 21	.. 13	27-8560	.. 31	.. 70	.. 8
19-2012	.. 40	.. 14	.. 13	27-8560	.. 31	.. 82	.. 8
19-2106	.. 40	.. 17	.. 13	27-8560	.. 31	.. 102	.. 8
19-2107	.. 40	.. 17	.. 13	27-8560	.. 39	.. 2	.. 12
19-2109	.. 40	.. 17	.. 13	27-8560	.. 40	.. 6	.. 13
19-2110	.. 40	.. 17	.. 13	27-8560	.. 40	.. 8	.. 13
19-2111	.. 40	.. 17	.. 13	28-243	.. 19	.. 70	.. 3
19-2112	.. 40	.. 17	.. 13	28-243	.. 19	.. 112	.. 3
19-2114	.. 40	.. 17	.. 13	28-2080	.. 19	.. 125	.. 3
19-2119	.. 40	.. 17	.. 13	28-2080	.. 20	.. 5	.. 4
19-2120	.. 40	.. 17	.. 13	28-2080	.. 20	.. 17A	.. 4
19-2121	.. 40	.. 17	.. 13	28-2080	.. 20	.. 26	.. 4
19-2122	.. 40	.. 17	.. 13	28-2080	.. 22	.. 10	.. 5
19-2123	.. 40	.. 17	.. 13	28-2080	.. 26	.. 31	.. 7
19-2126	.. 40	.. 19	.. 13	28-2338	.. 29	.. 20	.. 8
21-431	.. 22	.. 67	.. 4	28-2338	.. 40	.. 36	.. 13
21-2880	.. 29	.. 2	.. 5	28-4265	.. 37	.. 1	.. 11
21-5102	.. 12	.. 92	.. 1	29-410	.. 10	.. 1	.. 1
21-5104	.. 16	.. 120	.. 2	29-541	.. 12	.. 93	.. 1
21-5842	.. 17	.. 7	.. 3	29-541	.. 17	.. 6	.. 3
21-6187	.. 12	.. 95	.. 1	29-541	.. 31	.. 65	.. 8
24-563	.. 10	.. 29	.. 1	29-541	.. 31	.. 109	.. 8
24-978	.. 10	.. 9	.. 1	29-541	.. 15	.. 72	.. 2
24-4065	.. 17	.. 66	.. 3	29-541	.. 15	.. 77	.. 2
24-4217	.. 19	.. 100	.. 3	29-2203	.. 16	.. 132	.. 2
24-4263	.. 17	.. 27	.. 3	29-3319	.. 17	.. 9	.. 3
24-5160	.. 12	.. 60	.. 1	29-3319	.. 32	.. 33	.. 9
24-5160	.. 13	.. 15	.. 2	29-3319	.. 40	.. 27	.. 13
24-5160	.. 20	.. 16	.. 4	29-3319	.. 40	.. 31	.. 13
24-5160	.. 24	.. 31	.. 6	29-3250	.. 19	.. 129	.. 3
24-5658	.. 39	.. —	.. —	29-4100	.. 29	.. 34	.. 8
24-5860	.. 28	.. 44	.. 7	29-4101	.. 16	.. 113	.. 2
24-6035	.. 24	.. 43	.. 6	29-4101	.. 29	.. 46	.. 8
24-6040	.. 10	.. 17	.. 1	29-4657	.. 32	.. 28	.. 9
24-6040	.. 22	.. 75	.. 4	29-4661	.. 32	.. 30	.. 9
24-6770	.. 29	.. 52	.. 8	29-4662	.. 16	.. 135	.. 2
24-7000	.. 13	.. 37	.. 2	29-4662	.. 32	.. 29	.. 9
24-7178	.. 19	.. 120	.. 3	29-4664	.. 32	.. 32	.. 9
24-7343	.. 31	.. 107	.. 8	29-4665	.. 32	.. 31	.. 9
24-8045	.. 28	.. 43	.. 7	29-5283	.. 24	.. 4	.. 6
24-8504	.. 32	.. 43	.. 9	29-5310/3	.. 24	.. 10	.. 6
24-8784	.. 10	.. 16	.. 1	29-5310/3	.. 24	.. 34	.. 6
24-8784	.. 13	.. 101	.. 1	29-5313	.. 24	.. 9	.. 6
24-8784	.. 19	.. 98	.. 3	29-5315	.. 24	.. 19	.. 6
24-8784	.. 29	.. 1	.. 8	29-5320	.. 24	.. 8	.. 6
24-8784	.. 29	.. 12	.. 8	29-5347	.. 24	.. 5	.. 6
24-8784	.. 29	.. 22	.. 8	29-6885	.. 29	.. 58	.. 8
24-8784	.. 29	.. 33	.. 8	29-7368	.. 34	.. 25	.. 10
24-8784	.. 29	.. 48	.. 8	29-7551	.. 20	.. 10	.. 4
24-8784	.. 32	.. 36	.. 9	29-7560	.. 22	.. 72	.. 4
24-8784	.. 40	.. 4	.. 13	29-7561	.. 22	.. 76	.. 4
24-8927	.. 31	.. 71	.. 8	29-7564	.. 22	.. 73	.. 4
24-8927	.. 40	.. 25	.. 13	29-7670	.. 39	.. 13	.. 12
25-5241	.. 24	.. 40	.. 6	29-7898	.. 32	.. 7	.. 9
25-5247	.. 24	.. 39	.. 6	29-7962	.. 31	.. 94	.. 8
25-6014	.. 26	.. 27	.. 7	29-7971	.. 31	.. 87	.. 8

NUMERICAL INDEX "A" GROUP—*continued*

Part No.	Page	Ref. No.	Plate	Part No.	Page	Ref. No.	Plate
29-7971	31	95	8	65-3365	13	5	2
29-8810	32	8	9	65-3375	17	32	3
29-8820	32	16	9	65-3377	17	34	3
29-9132	31	98	8	65-3381	19	119	3
29-9251	37	2	11	65-3390	17	31	3
29-9252	37	11	11	65-3391	17	29	3
29-9253	37	4	11	65-3392	17	30	3
29-9342	40	29	13	65-3397	19	130	3
30-733	22	66	4	65-3403	17	39	3
31-68	20	39	4	65-3417	19	128	3
31-222	15	74	2	65-4742	22	79	4
32-194	20	18A	4	65-4960	32	18	19
32-194	26	22	7	65-5087	40	37	3
35-33	34	58	9	65-5126	24	24	6
35-37	26	26	7	65-5127	24	29	6
35-698	15	53	2	65-5295	24	1	6
35-698	20	6	4	65-5327	24	47	6
35-701	26	13	7	65-5328	24	38	6
35-701	26	10	7	65-5331	24	20	6
35-702	17	35	3	65-5332	24	21	6
35-702	12	77	1	65-5333	24	14	6
35-709	15	93	2	65-5334	24	16	6
35-710	22	80	4	65-5380	24	42	6
35-722	20	43	4	65-5391	24	11	6
35-1896	13	35	2	65-5400	24	—	6
35-4005	16	125	2	65-5408	24	3	6
35-4224	15	61	2	65-5410	24	37	6
35-6436	28	10	7	65-5424	24	7	6
36-382	10	19	1	65-5430	24	22	6
36-382	10	44	1	65-5435	24	33	6
36-382	10	48	1	65-5674	28	6	7
36-382	12	61	1	65-5871/17	26	36	7
36-382	13	12	2	65-5871/19	26	36	7
36-382	13	16	2	65-5876	26	3	7
36-382	16	116	2	65-5883	26	1	7
36-382	20	3	4	65-5883	26	6	7
36-382	20	16A	4	65-5883	28	21	7
36-382	20	47	4	65-5883	28	30	7
36-382	20	56	4	65-5884	28	29	7
36-382	22	74	4	65-5895/3	26	18	7
36-382	24	32	6	65-5899	28	42	7
36-382	24	45	6	65-5901	28	9	7
36-382	26	20	7	65-5903	28	11	7
36-382	29	35	8	65-5904	26	33	7
36-382	29	38	8	65-5904	28	41	7
36-382	29	56	8	65-5905	28	8	7
36-382	31	79	8	65-5907	26	30	7
36-382	31	91	8	65-5912	40	33	13
36-382	34	55	9	65-6274	34	23	10
36-382	39	14	12	65-6302	28	33	7
36-382	40	23	13	65-6303	28	18	7
36-481	10	32	1	65-6576	34	11	10
65-114	13	99	1	65-6605	29	26	8
65-213	13	100	1	65-6605	34	14	10
65-306	10	22	1	65-6606	29	19	8
65-311	10	31	1	65-6606	34	16	10
65-440	10	51	1	65-6607	34	15	10
65-615	12	58	1	65-6608	34	19	10
65-1162	10	46	1	65-6825	29	58	8
65-1232	10	46	1	65-8038	16	111	2
65-2060	29	4	8	65-8200	34	6	10
65-2060	31	97	8	65-8201	34	8	10
65-2060	31	89	8	65-8205	34	5	10
65-2153	10	8	1	65-8206	34	5	10
65-2352	16	133	2	65-8207	32	24	9
65-2352	32	27	9	65-8209	32	24	9
65-2353	32	39	9	65-8217	32	23	9
65-3063	15	59	2	65-8317	32	22	9
65-3337	19	84	3	65-8326	32	6	9
65-3360	17	40	3	65-8420	29	6	8
65-3361	19	126	3	65-8421	29	8	8
65-3364	13	6	2	65-8422	29	3	8
				65-8422	29	5	8

NUMERICAL INDEX "A" GROUP—continued

Part No.	Page	Ref. No.	Plate	Part No.	Page	Ref. No.	Plate
65-8422	.. 31	.. 81	.. 8	67-132	.. 15	.. 58	.. 2
65-8422	.. 31	.. 88	.. 8	67-133	.. 15	.. 63	.. 2
65-8422	.. 31	.. 90	.. 8	67-133	.. 15	.. 57	.. 2
65-8422	.. 31	.. 99	.. 8	67-134	.. 13	.. 38	.. 2
65-8424	.. 29	.. 7	.. 8	67-135	.. 13	.. 38	.. 2
65-8500	.. 29	.. 51	.. 8	67-136	.. 13	.. 38	.. 2
65-8501	.. 32	.. 9	.. 9	67-137	.. 13	.. 38	.. 2
65-8502	.. 32	.. 15	.. 9	67-142	.. 15	.. 47	.. 2
65-8675	.. 32	.. 19	.. 9	67-146	.. 15	.. 56	.. 2
65-8714	.. 32	.. 13	.. 9	67-157	.. 15	.. 56	.. 2
65-9080	.. 31	.. 75	.. 8	67-158	.. 13	.. 38	.. 2
65-9125	.. 37	.. 13	.. 11	67-159	.. 13	.. 38	.. 2
65-9205	.. 37	.. 6	.. 11	67-160	.. 13	.. 38	.. 2
65-9228	.. 40	.. 32	.. 13	67-182	.. 10	.. 43	.. 1
65-9231	.. 40	.. 34	.. 13	67-189	.. 10	.. 7	.. 1
65-9240	.. 37	.. 14	.. 11	67-190	.. 10	.. 21	.. 1
65-9243	.. 37	.. 17	.. 11	67-226	.. 12	.. 54	.. 1
65-9245	.. 37	.. 8	.. 11	67-228	.. 12	.. 84	.. 1
65-9246	.. 37	.. 9	.. 11	67-228	.. 12	.. 53	.. 1
66-102	.. 13	.. 98	.. 1	67-250	.. 10	.. 43	.. 1
66-954	.. 10	.. 50	.. 1	67-253	.. 12	.. 63	.. 1
66-3074	.. 15	.. 54	.. 2	67-254	.. 10	.. 42	.. 1
66-3074	.. 15	.. 97	.. 2	67-255	.. 12	.. 91	.. 1
66-3074	.. 19	.. 109	.. 3	67-256	.. 13	.. 96	.. 1
66-4149	.. 24	.. 26	.. 6	67-258	.. 10	.. 39	.. 1
66-4149	.. 24	.. 27	.. 6	67-259	.. 10	.. 14	.. 1
66-4175	.. 20	.. 32	.. 4	67-261	.. 10	.. 15	.. 1
66-4603	.. 22	.. 18	.. 5	67-263	.. 10	.. 10	.. 1
66-4707	.. 15	.. 86	.. 2	67-264	.. 10	.. 34	.. 1
66-4707	.. 16	.. 119	.. 2	67-265	.. 10	.. 33	.. 1
66-4707	.. 20	.. 12	.. 4	67-266	.. 10	.. 27	.. 1
66-4707	.. 20	.. 24	.. 4	67-267	.. 10	.. 30A	.. 1
66-4707	.. 20	.. 40	.. 4	67-268	.. 12	.. 53	.. 1
66-4707	.. 20	.. 49	.. 4	67-268	.. 12	.. 53	.. 1
66-4707	.. 22	.. 7	.. 5	67-268	.. 12	.. 84	.. 1
66-4707	.. 32	.. 20	.. 9	67-271	.. 12	.. 89	.. 1
66-4707	.. 32	.. 41	.. 9	67-272	.. 10	.. 40	.. 1
66-4708	.. 20	.. 21	.. 4	67-272	.. 12	.. 78	.. 1
66-4708	.. 20	.. 25	.. 4	67-276	.. 12	.. 62	.. 1
66-4708	.. 22	.. 65	.. 4	67-278	.. 10	.. 41	.. 1
66-4708	.. 26	.. 29	.. 7	67-279	.. 10	.. 11	.. 1
66-4708	.. 28	.. 2	.. 7	67-280	.. 10	.. 12	.. 1
66-5088	.. 24	.. 22	.. 6	67-281	.. 16	.. 129	.. 2
66-5089	.. 24	.. 30	.. 6	67-282	.. 15	.. 55	.. 2
66-5097	.. 24	.. 19	.. 6	67-283	.. 12	.. 90	.. 1
66-5203	.. 24	.. 23	.. 6	67-284	.. 15	.. 47	.. 2
66-7351	.. 39	.. 16	.. 12	67-286	.. 13	.. 33	.. 2
66-7353	.. 39	.. 1	.. 12	67-287	.. 15	.. 56	.. 2
66-7518	.. 29	.. 29	.. 8	67-291	.. 13	.. 10	.. 2
66-8810	.. 32	.. 14	.. 9	67-293	.. 16	.. 118	.. 2
66-8896	.. 32	.. 10	.. 9	67-296	.. 15	.. 49	.. 2
66-9132	.. 37	.. 16	.. 11	67-297	.. 12	.. 76	.. 1
67-24	.. 10	.. 43	.. 1	67-298	.. 10	.. 52	.. 1
67-29	.. 10	.. 7	.. 1	67-299	.. 13	.. 97	.. 1
67-30	.. 10	.. 21	.. 1	67-301	.. 12	.. 83	.. 1
67-31	.. 10	.. 5	.. 1	67-302	.. 12	.. 57	.. 1
67-33	.. 10	.. 6	.. 1	67-304	.. 12	.. 86	.. 1
67-34	.. 10	.. 2	.. 1	67-311	.. 12	.. 88	.. 1
67-42	.. 13	.. 5	.. 2	67-314	.. 12	.. 87	.. 1
67-42	.. 29	.. 50	.. 8	67-317	.. 12	.. 84	.. 1
67-50	.. 12	.. 63	.. 1	67-320	.. 12	.. 85	.. 1
67-56	.. 10	.. 28	.. 1	67-323	.. 10	.. 7	.. 1
67-60	.. 10	.. 30	.. 1	67-324	.. 10	.. 21	.. 1
67-61	.. 10	.. 25	.. 1	67-331	.. 12	.. 65	.. 1
67-62	.. 10	.. 26	.. 1	67-332	.. 12	.. 73	.. 1
67-64	.. 10	.. 24	.. 1	67-333	.. 12	.. 72	.. 1
67-74	.. 13	.. 20	.. 2	67-334	.. 13	.. 26	.. 2
67-74	.. 13	.. 24	.. 2	67-335	.. 13	.. 32	.. 2
67-81	.. 12	.. 86	.. 1	67-337	.. 13	.. 28	.. 2
67-101	.. 10	.. 50	.. 1	67-339	.. 12	.. 71	.. 1
67-103	.. 12	.. 86	.. 1	67-340	.. 15	.. 73	.. 2
67-120	.. 10	.. 47	.. 1	67-343	.. 10	.. 13	.. 1
67-130	.. 13	.. 39	.. 2	67-346	.. 10	.. 20	.. 1

NUMERICAL INDEX "A" GROUP—*continued*

Part No.	Page	Ref. No.	Plate	Part No.	Page	Ref. No.	Plate
67-349	.. 12	.. 81	.. 1	67-1264	.. 16	.. 110	.. 2
67-350	.. 13	.. 18	.. 2	67-1266	.. 15	.. 94	.. 2
67-352	.. 13	.. 19	.. 2	67-1268	.. 15	.. 95	.. 2
67-353	.. 16	.. 131	.. 2	67-1280	.. 15	.. 79	.. 2
67-355	.. 16	.. 137	.. 2	67-1281	.. 15	.. 80	.. 2
67-356	.. 13	.. 26	.. 2	67-1285	.. 15	.. 76	.. 2
67-360	.. 12	.. 67	.. 1	67-1288	.. 15	.. 75	.. 2
67-362	.. 12	.. 66	.. 1	67-1292	.. 13	.. 11	.. 2
67-378	.. 12	.. 63	.. 1	67-1381	.. 15	.. 68	.. 2
67-380	.. 10	.. 43	.. 1	67-1382	.. 15	.. 70	.. 2
67-382	.. 12	.. 91	.. 1	67-1383	.. 15	.. 68	.. 2
67-384	.. 12	.. 55	.. 1	67-1384	.. 15	.. 69	.. 2
67-386	.. 12	.. 84	.. 1	67-1385	.. 16	.. 123	.. 2
67-389	.. 12	.. 53	.. 1	67-1386	.. 16	.. 122	.. 2
67-392	.. 10	.. 51	.. 1	67-1387	.. 16	.. 121	.. 2
67-393	.. 10	.. 52	.. 1	67-1388	.. 15	.. 67	.. 2
67-394	.. 10	.. 7	.. 1	67-1389	.. 15	.. 66	.. 2
67-395	.. 10	.. 21	.. 1	67-1390	.. 15	.. 64	.. 2
67-396	.. 12	.. 67	.. 1	67-1391	.. 15	.. 81	.. 2
67-398	.. 12	.. 66	.. 1	67-1392	.. 15	.. 82	.. 2
67-407	.. 12	.. 88	.. 1	67-1393	.. 16	.. 124	.. 2
67-410	.. 12	.. 87	.. 1	67-1394	.. 16	.. 126	.. 2
67-423	.. 12	.. 86	.. 1	67-1395	.. 16	.. 127	.. 2
67-439	.. 10	.. 4	.. 1	67-1396	.. 16	.. 128	.. 2
67-440	.. 10	.. 3	.. 1	67-1400	.. 13	.. 22	.. 2
67-450	.. 10	.. 23	.. 1	67-1401	.. 13	.. 21	.. 2
67-453	.. 13	.. 10	.. 2	67-1461	.. 15	.. 85	.. 2
67-455	.. 16	.. 118	.. 2	67-1466	.. 15	.. 83	.. 2
67-460	.. 12	.. 86	.. 1	67-1467	.. 15	.. 87	.. 2
67-524	.. 10	.. 43	.. 1	67-1467	.. 16	.. 114	.. 2
67-527	.. 10	.. 47	.. 1	67-1496	.. 15	.. 43	.. 2
67-529	.. 13	.. 99	.. 1	67-1498	.. 15	.. 42	.. 2
67-531	.. 10	.. 7	.. 1	67-1499	.. 15	.. 46	.. 2
67-532	.. 10	.. 21	.. 1	67-1502	.. 15	.. 46	.. 2
67-533	.. 12	.. 86	.. 1	67-1503	.. 15	.. 45	.. 2
67-540	.. 16	.. 139	.. 2	67-1505	.. 15	.. 41	.. 2
67-615	.. 12	.. 55	.. 1	67-1701	.. 13	.. 3	.. 2
67-642	.. 12	.. 70	.. 1	67-1702	.. 15	.. 98	.. 2
67-643	.. 12	.. 68	.. 1	67-1703	.. 13	.. 4	.. 2
67-644	.. 12	.. 69	.. 1	67-1704	.. 13	.. 1	.. 2
67-645	.. 12	.. 74	.. 1	67-1705	.. 13	.. 7	.. 2
67-648	.. 12	.. 75	.. 1	67-1705	.. 19	.. 117	.. 1
67-664	.. 12	.. 55	.. 1	67-1706	.. 13	.. 2	.. 2
67-670	.. 12	.. 80	.. 1	67-1706	.. 19	.. 123	.. 3
67-671	.. 12	.. 79	.. 1	67-1709	.. 13	.. 9	.. 2
67-672	.. 12	.. 79	.. 2	67-1710	.. 15	.. 99	.. 2
67-685	.. 13	.. 36	.. 2	67-1711	.. 13	.. 8	.. 2
67-686	.. 13	.. 25	.. 2	67-1876	.. 16	.. 134	.. 2
67-686	.. 13	.. 27	.. 2	67-1882	.. 13	.. 40	.. 2
67-686	.. 13	.. 29	.. 2	67-2050	.. 15	.. 89	.. 2
67-695	.. 13	.. 26	.. 2	67-2053	.. 15	.. 88	.. 2
67-707	.. 13	.. 30	.. 2	67-2054	.. 15	.. 92	.. 2
67-708	.. 13	.. 34	.. 2	67-2055	.. 15	.. 90	.. 2
67-721	.. 15	.. 62	.. 2	67-2056	.. 12	.. 82	.. 1
67-727	.. 15	.. 50	.. 2	67-2057	.. 12	.. 82	.. 1
67-922	.. 15	.. 107	.. 2	67-2058	.. 12	.. 82	.. 1
67-923	.. 15	.. 105	.. 2	67-2062	.. 15	.. 91	.. 2
67-1227	.. 13	.. 10	.. 2	67-2675	.. 10	.. 35	.. 1
67-1231	.. 16	.. 118	.. 2	67-2679	.. 10	.. 36	.. 1
67-1235	.. 16	.. 112	.. 2	67-2694	.. 12	.. 94	.. 1
67-1236	.. 16	.. 138	.. 2	67-2711	.. 31	.. 110	.. 8
67-1241	.. 15	.. 103	.. 2	67-2720	.. 10	.. 35	.. 1
67-1242	.. 15	.. 102	.. 2	67-2722	.. 10	.. 36	.. 1
67-1243	.. 15	.. 101	.. 2	67-3014	.. 17	.. 1	.. 3
67-1244	.. 15	.. 100	.. 2	67-3017	.. 17	.. 57	.. 3
67-1245	.. 13	.. 17	.. 2	67-3021	.. 19	.. 114	.. 3
67-1245	.. 10	.. 18	.. 1	67-3023	.. 19	.. 71	.. 3
67-1251	.. 20	.. 13	.. 4	67-3024	.. 19	.. 121	.. 3
67-1258	.. 13	.. 14	.. 2	67-3026	.. 19	.. 68	.. 3
67-1259	.. 13	.. 13	.. 2	67-3027	.. 17	.. 3	.. 3
67-1261	.. 15	.. 96	.. 2	67-3028	.. 19	.. 101	.. 3
67-1262	.. 16	.. 115	.. 2	67-3031	.. 17	.. 2	.. 3
67-1263	.. 16	.. 108	.. 2	67-3032	.. 19	.. 110	.. 3

NUMERICAL INDEX "A" GROUP—*continued*

Part No.	Page	Ref. No.	Plate
67-3033	.. 19	.. 122	.. 3
67-3034	.. 19	.. 116	.. 3
67-3053	.. 17	.. 26	.. 3
67-3061	.. 19	.. 73	.. 3
67-3064	.. 17	.. 28	.. 3
67-3065	.. 17	.. 28	.. 3
67-3065	.. 17	.. 28	.. 3
67-3067	.. 17	.. 67	.. 3
67-3073	.. 17	.. 65	.. 3
67-3080	.. 17	.. 64	.. 3
67-3088	.. 19	.. 89	.. 3
67-3093	.. 19	.. 96	.. 3
67-3099	.. 19	.. 88	.. 3
67-3101	.. 19	.. 75	.. 3
67-3101	.. 19	.. 85	.. 3
67-3111	.. 17	.. 5	.. 3
67-3112	.. 17	.. 4	.. 3
67-3113	.. 17	.. 55	.. 3
67-3116	.. 17	.. 60	.. 3
67-3117	.. 17	.. 61	.. 3
67-3119	.. 19	.. 76	.. 3
67-3120	.. 19	.. 79	.. 3
67-3121	.. 19	.. 77	.. 3
67-3122	.. 19	.. 78	.. 3
67-3128	.. 19	.. 90	.. 3
67-3130	.. 17	.. 47	.. 3
67-3131	.. 17	.. 48	.. 3
67-3132	.. 17	.. 53	.. 3
67-3133	.. 17	.. 49	.. 3
67-3134	.. 17	.. 52	.. 3
67-3135	.. 17	.. 51	.. 3
67-3136	.. 17	.. 54	.. 3
67-3140	.. 17	.. 42	.. 3
67-3143	.. 17	.. 44	.. 3
67-3144	.. 17	.. 47	.. 3
67-3145	.. 17	.. 46	.. 3
67-3146	.. 17	.. 45	.. 3
67-3147	.. 17	.. 43	.. 3
67-3151	.. 19	.. 95	.. 3
67-3152	.. 19	.. 99	.. 3
67-3153	.. 19	.. 91	.. 3
67-3161	.. 19	.. 102	.. 3
67-3162	.. 19	.. 103	.. 3
67-3163	.. 19	.. 108	.. 3
67-3164	.. 19	.. 107	.. 3
67-3167	.. 19	.. 106	.. 3
67-3168	.. 19	.. 105	.. 3
67-3169	.. 19	.. 104	.. 3
67-3170	.. 17	.. 50	.. 3
67-3173	.. 19	.. 94A	.. 3
67-3174	.. 19	.. 92	.. 3
67-3175	.. 17	.. 33	.. 3
67-3176	.. 19	.. 124	.. 3
67-3178	.. 19	.. 94	.. 3
67-3180	.. 17	.. 41	.. 3
67-3183	.. 19	.. 72	.. 3
67-3190	.. 19	.. 73	.. 3
67-3191	.. 17	.. 58	.. 3
67-3192	.. 17	.. 63	.. 3
67-3194	.. 19	.. 86	.. 3
67-3195	.. 19	.. 86	.. 3
67-3196	.. 19	.. 80	.. 3
67-3197	.. 19	.. 81	.. 3
67-3198	.. 19	.. 82	.. 3
67-3199	.. 19	.. 83	.. 3
67-3201	.. 17	.. 62	.. 3
67-3202	.. 17	.. 59	.. 3
67-3203	.. 19	.. 87	.. 3
67-3204	.. 17	.. 56	.. 3
67-3237	.. 17	.. 22	.. 3
67-3240	.. 17	.. 19	.. 3
67-3241	.. 17	.. 16	.. 3
67-3242	.. 17	.. 17	.. 3

Part No.	Page	Ref. No.	Plate
67-3244	.. 17	.. 18	.. 3
67-3245	.. 17	.. 15	.. 3
67-3247	.. 17	.. 13	.. 3
67-3248	.. 17	.. 14	.. 3
67-3249	.. 17	.. 12	.. 3
67-3251	.. 19	.. 74	.. 3
67-3253	.. 17	.. 21	.. 3
67-3257	.. 17	.. 20	.. 3
67-3263	.. 17	.. 11	.. 3
67-3264	.. 17	.. 10	.. 3
67-3266	.. 17	.. 8	.. 3
67-3271	.. 17	.. 23	.. 3
67-3276	.. 17	.. 25	.. 3
67-3277	.. 17	.. 25	.. 3
67-3278	.. 17	.. 25	.. 3
67-4026	.. 20	.. 15A	.. 4
67-4027	.. 20	.. 62	.. 4
67-4027	.. 22	.. 68	.. 4
67-4028	.. 20	.. 2	.. 4
67-4029	.. 20	.. 7	.. 4
67-4030	.. 20	.. 27	.. 4
67-4030	.. 29	.. 43	.. 8
67-4036	.. 20	.. 19	.. 4
67-4038	.. 20	.. 1	.. 4
67-4040	.. 20	.. 37	.. 4
67-4041	.. 20	.. 7	.. 4
67-4056	.. 20	.. 18	.. 4
67-4070	.. 20	.. 45	.. 4
67-4094	.. 20	.. 45	.. 4
67-4102	.. 20	.. 45	.. 4
67-4120	.. 20	.. 44	.. 4
67-4122	.. 20	.. 54	.. 4
67-4125	.. 22	.. 11	.. 5
67-4126	.. 22	.. 11	.. 5
67-4127	.. 22	.. 19	.. 5
67-4128	.. 20	.. 48	.. 4
67-4129	.. 20	.. 50	.. 4
67-4130	.. 20	.. 38	.. 4
67-4132	.. 22	.. 6	.. 5
67-4171	.. 20	.. 20	.. 4
67-4173	.. 20	.. 15	.. 4
67-4183	.. 22	.. 71	.. 4
67-4183	.. 22	.. 71	.. 4
67-4588	.. 32	.. 26	.. 9
67-4589	.. 34	.. 1	.. 10
67-4594	.. 32	.. 38	.. 9
67-4596	.. 32	.. 25	.. 9
67-4600	.. 34	.. 37	.. 9
67-4816	.. 22	.. 78	.. 4
67-4847	.. 22	.. 77	.. 4
67-4848	.. 20	.. 4	.. 4
67-4851	.. 20	.. 8	.. 4
67-4852	.. 20	.. 9	.. 4
67-4856	.. 20	.. 9	.. 4
67-4879	.. 22	.. 83	.. 4
67-4902	.. 22	.. 83	.. 4
67-4903	.. 22	.. 83	.. 4
67-4909	.. 22	.. 82	.. 4
67-4920	.. 39	.. —	.. —
67-4923	.. 39	.. —	.. —
67-4924	.. 39	.. —	.. —
67-4925	.. 39	.. —	.. —
67-5009	.. 24	.. 12	.. 6
67-5009	.. 24	.. 49	.. 6
67-5021	.. 24	.. 48	.. 6
67-5023	.. 24	.. 17	.. 6
67-5024	.. 24	.. 18	.. 6
67-5042	.. 24	.. 12	.. 6
67-5044	.. 24	.. 49	.. 6
67-5049	.. 24	.. —	.. 6
67-5050	.. 24	.. 37	.. 6
67-5054	.. 24	.. —	.. 6
67-5055	.. 24	.. 37	.. 6

NUMERICAL INDEX "A" GROUP—*continued*

Part No.	Page	Ref. No.	Plate	Part No.	Page	Ref. No.	Plate
67-5057	.. 24	.. 3	.. 6	67-6761	.. 29	.. 44	.. 8
67-5060	.. 24	.. —	.. 6	67-6766	.. 29	.. 40	.. 8
67-5077	.. 24	.. —	.. 6	67-6767	.. 31	.. 83	.. 8
67-5084	.. 40	.. 38	.. 13	67-6771	.. 29	.. 60	.. 8
67-5088	.. 40	.. 18	.. 13	67-6772	.. 29	.. 62	.. 8
67-5538/17	.. 26	.. —	.. 7	67-6774	.. 31	.. 66	.. 8
67-5538/19	.. 26	.. —	.. 7	67-6830	.. 29	.. 58	.. 8
67-5542/17	.. 26	.. —	.. 7	67-6839	.. 29	.. 59	.. 8
67-5542/19	.. 26	.. —	.. 7	67-6841	.. 29	.. 60	.. 8
67-5542/26	.. 26	.. —	.. 7	67-6851	.. 29	.. 55	.. 8
67-5542/41	.. 26	.. —	.. 7	67-6921	.. 20	.. 29	.. 4
67-5542/42	.. 26	.. —	.. 7	67-7026	.. 20	.. 58	.. 4
67-5542/43	.. 26	.. —	.. 7	67-7027	.. 20	.. 61	.. 4
67-5543/17	.. 26	.. 36	.. 7	67-7031	.. 34	.. 24	.. 10
67-5543/19	.. 26	.. 36	.. 7	67-7032	.. 20	.. 57	.. 4
67-5543/26	.. 26	.. 36	.. 7	67-7033	.. 34	.. 20	.. 10
67-5543/3	.. 26	.. 36	.. 7	67-7037	.. 22	.. 70	.. 4
67-5544	.. 26	.. 12	.. 7	67-7201	.. 39	.. —	.. 12
67-5545	.. 26	.. 4	.. 7	67-7202	.. 39	.. 10	.. 12
67-5547	.. 26	.. 3	.. 7	67-7203	.. 39	.. 8	.. 12
67-5555/3	.. 26	.. 18	.. 7	67-7204	.. 39	.. 4	.. 12
67-5558	.. 26	.. 34	.. 7	67-7205	.. 39	.. 5	.. 12
67-5561	.. 26	.. 8	.. 7	67-7208	.. 39	.. 17	.. 12
67-5562	.. 26	.. 14	.. 7	67-7225	.. 31	.. 104	.. 8
67-5563	.. 26	.. 7	.. 7	67-7226	.. 31	.. 104	.. 8
67-5564	.. 26	.. 35	.. 7	67-7777	.. 31	.. 104	.. 8
67-5565	.. 26	.. 2	.. 7	67-7778	.. 31	.. 104	.. 8
67-5566	.. 26	.. 9	.. 7	67-8015/17	.. 32	.. 2	.. 9
67-5571	.. 26	.. 17	.. 7	67-8016/19	.. 32	.. 2	.. 9
67-5572	.. 26	.. 32	.. 7	67-8045/17	.. 32	.. 2	.. 9
67-5575	.. 26	.. 15	.. 7	67-8046/19	.. 32	.. 2	.. 9
67-5576	.. 26	.. 16	.. 7	67-8047/17	.. 32	.. 3	.. 9
67-5578	.. 26	.. 21	.. 7	67-8047/19	.. 32	.. 2	.. 9
67-6005/41	.. 28	.. 35	.. 7	67-8070	.. 34	.. 9	.. 10
67-6005/42	.. 28	.. 35	.. 7	67-8071	.. 34	.. 9	.. 10
67-6005/43	.. 28	.. 35	.. 7	67-8072/17	.. 34	.. 3	.. 10
67-6012/41	.. 28	.. —	.. 7	67-8072/26	.. 34	.. 3	.. 10
67-6012/42	.. 28	.. —	.. 7	67-8074	.. 32	.. 45	.. 9
67-6012/43	.. 28	.. —	.. 7	67-8076	.. 34	.. 10	.. 10
67-6038	.. 28	.. 31	.. 7	67-8092	.. 32	.. 46	.. 9
67-6039	.. 28	.. 39	.. 7	67-8094	.. 32	.. 47	.. 9
67-6051	.. 28	.. 27	.. 7	67-8104/36	.. 32	.. 2	.. 9
67-6053	.. 28	.. 4	.. 7	67-8104/38	.. 32	.. 2	.. 9
67-6060	.. 28	.. 36	.. 7	67-8105/17	.. 34	.. 3	.. 10
67-6061	.. 28	.. 28	.. 7	67-8105/26	.. 34	.. 3	.. 10
67-6066	.. 28	.. 26	.. 7	67-8108	.. 32	.. 3	.. 9
67-6067	.. 28	.. 16	.. 7	67-8108	.. 32	.. 44	.. 9
67-6072	.. 28	.. 15	.. 7	67-8109	.. 32	.. 4	.. 9
67-6073	.. 28	.. 46	.. 7	67-8109	.. 32	.. 42	.. 9
67-6074	.. 28	.. 45	.. 7	67-8111	.. 34	.. 2	.. 10
67-6075	.. 28	.. 24	.. 7	67-8116	.. 34	.. 7	.. 10
67-6076	.. 28	.. 17	.. 7	67-8309	.. 31	.. 96	.. 8
67-6076	.. 28	.. 23	.. 7	67-8313	.. 29	.. 39	.. 8
67-6077	.. 28	.. 22	.. 7	67-8313	.. 29	.. 49	.. 8
67-6078	.. 28	.. 12	.. 7	67-8313	.. 32	.. 35	.. 9
67-6081	.. 28	.. 5	.. 7	67-8320	.. 29	.. 47	.. 8
67-6101	.. 28	.. 37	.. 7	67-8324	.. 31	.. 106	.. 8
67-6123	.. 28	.. 38	.. 7	67-8326	.. 31	.. 105	.. 8
67-6124	.. 28	.. 38	.. 7	67-8334	.. 29	.. 47	.. 8
67-6126	.. 28	.. 20	.. 7	67-8521	.. 32	.. 11	.. 9
67-6128	.. 28	.. 25	.. 7	67-8555	.. 32	.. 12	.. 9
67-6150	.. 28	.. 38	.. 7	67-8592	.. 32	.. 12	.. 9
67-6154	.. 28	.. 38	.. 7	67-8595	.. 32	.. 11	.. 9
67-6164	.. 28	.. 34	.. 7	67-8610	.. 32	.. 19	.. 9
67-6180/3	.. 28	.. 7	.. 7	67-8681	.. 32	.. 17	.. 9
67-6180/7	.. 28	.. 7	.. 7	67-9002	.. 31	.. 75	.. 8
67-6530	.. 29	.. 10	.. 8	67-9007	.. 31	.. 75	.. 8
67-6543	.. 29	.. 26	.. 8	67-9023	.. 37	.. 12	.. 11
67-6543	.. 34	.. 14	.. 10	67-9025	.. 37	.. 15	.. 11
67-6544	.. 29	.. 24	.. 8	67-9026	.. 37	.. 10	.. 11
67-6546	.. 29	.. 18	.. 8	67-9041	.. 28	.. 13	.. 7
67-6547	.. 29	.. 25	.. 8	67-9045	.. 28	.. 13	.. 7
67-6752	.. 29	.. 60	.. 8				

NUMERICAL INDEX "A" GROUP—*continued*

Part No.	Page	Ref. No.	Plate	Part No.	Page	Ref. No.	Plate
67-9046	.. 28	.. 13	.. 7	89-4046	.. 22	.. 8	.. 5
67-9052	.. 37	.. 7	.. 11	89-4240	.. 22	.. 12	.. 5
67-9053	.. 29	.. 54	.. 8	89-4241	.. 22	.. 13	.. 5
67-9054	.. 29	.. 54	.. 8	89-4248	.. 22	.. 3	.. 5
67-9057	.. 40	.. 39	.. 13	89-4249	.. 22	.. 4	.. 5
67-9063	.. 40	.. 39	.. 13	89-4257	.. 22	.. 5	.. 5
67-9068	.. 40	.. 21	.. 13	89-4258	.. 22	.. 14	.. 5
67-9087	.. 32	.. 1	.. 9	89-4259	.. 22	.. 15	.. 5
67-9089	.. 32	.. 50	.. 9	89-5036	.. 22	.. 11	.. 6
67-9093	.. 34	.. 57	.. 9	89-5061	.. 24	.. 6	.. 6
67-9094	.. 32	.. 54	.. 9	$\frac{1}{8}$ in.	.. 12	.. 64	.. 1
67-9095	.. 32	.. 51	.. 9	$\frac{1}{4}$ in.	.. 24	.. 28	.. 6
89-3022	.. 28	.. 14	.. 7	$\frac{1}{2}$ in.	.. 24	.. 25	.. 6
89-4041	.. 22	.. 2	.. 5	$\frac{3}{4}$ in.	.. 13	.. 23	.. 2
89-4045	.. 22	.. 1	.. 5	$\frac{1}{2}$ in.	.. 15	.. 44	.. 2



**THERE'S OVER 90 YEARS' REPUTATION
FOR QUALITY BEHIND
THE B.S.A. TRADE MARKS, WHICH ARE
YOUR SAFEGUARD**

NUMERICAL INDEX SIDECAR CHASSIS—"A" GROUP

No. 22 and No. 23

Part No.	Page	Part No.	Page	Part No.	Page
1-5945	.. 44	3-1137	.. 42	3-1748	.. 42
2-46	.. 42	3-1241	.. 44	3-1750	.. 43
2-49	.. 43	3-1252	.. 42	3-1792	.. 42
2-803	.. 43	3-1258	.. 42	3-1795	.. 44
2-833	.. 42	3-1259	.. 42	3-9077	.. 44
2-995	.. 43	3-1271	.. 42	3-9263	.. 42
2-1462	.. 44	3-1289	.. 42	3-9264	.. 43
2-1813	.. 43	3-1290	.. 42	3-9380	.. 44
2-1925	.. 42	3-1369	.. 43	3-9381	.. 44
2-1945	.. 43	3-1372	.. 42	15-716	.. 42
2-1946	.. 42	3-1373	.. 42	15-5753	.. 43
2-2395	.. 44	3-1379	.. 43	19-1109	.. 44
2-2899	.. 44	3-1383	.. 43	24-875	.. 42
3-12	.. 44	3-1393	.. 42	24-5860	.. 44
3-34	.. 44	3-1509	.. 43	24-5914	.. 42
3-36	.. 44	3-1603	.. 42	24-8784	.. 44
3-37	.. 44	3-1685	.. 44	27-6810	.. 44
3-62	.. 44	3-1700	.. 42	27-6974	.. 44
3-101	.. 44	3-1701	.. 42	27-7010	.. 44
3-103	.. 44	3-1702	.. 44	27-8039	.. 44
3-107	.. 42	3-1703	.. 43	27-8560	.. 44
3-108	.. 42	3-1704	.. 43	28-2080	.. 42
3-110	.. 42	3-1706	.. 43	28-2338	.. 44
3-111	.. 42	3-1709	.. 42	30-650	.. 43
3-345	.. 42	3-1712	.. 43	30-729	.. 42
3-603	.. 43	3-1714	.. 43	30-1215	.. 43
3-619	.. 42	3-1715	.. 43	31-4070	.. 44
3-641	.. 43	3-1716	.. 42	31-7275	.. 44
3-663	.. 42	3-1719	.. 42	35-33	.. 43
3-664	.. 42	3-1720	.. 42	35-705	.. 44
3-839	.. 43	3-1724	.. 42	35-708	.. 43
3-861	.. 43	3-1725	.. 42	35-713	.. 42
3-953	.. 42	3-1730	.. 44	35-722	.. 42
3-1021	.. 43	3-1731	.. 44	65-4185	.. 43
3-1080	.. 43	3-1741	.. 44	1/4" (dia.)	.. 44
3-1116	.. 44	3-1746	.. 43		

SUPER FLASH 650 c.c.

As STANDARD A10 MODEL except the following

Part No.	Description	Number per Set
ENGINE		
67-572	.. Piston complete (8 to 1 C.R.) ..	2
67-356	.. Camshaft	1
67-529	.. Sparking plug	2
67-712	.. Timing cover	1
67-714	.. Timing cover sealing plate ..	1
65-9165	.. Timing cover sealing plate bolt ..	2
67-965	.. Cylinder head complete	1
67-715	.. Timing cover sealing plate joint washer	1
67-931	.. Inlet valve guide	2
67-932	.. Exhaust valve guide	2
67-886	.. Valve spring bottom cup	4
67-967	.. Exhaust valve	2
67-968	.. Inlet valve	2
67-956	.. Valve spring (outer)	4
67-957	.. Valve spring (inner)	4
67-885	.. Valve spring collar	4
65-1624	.. Valve spring cotter	4
67-540	.. Magneto driving pinion assembled	1
24-195	.. Magneto driving pinion nut ..	1
2-2903	.. Magneto driving pinion washer ..	1
67-2770	.. Exhaust pipe with baffle (offside) ..	1
67-2774	.. Silencer complete	2
67-974	.. Engine steady stay (rear) (nearside)	1
67-975	.. Engine steady stay (rear) (offside) ..	1
29-4101	.. Battery carrier and oil tank fixing stud	1
24-5160	.. Battery carrier and oil tank fixing stud nut	2
24-6040	.. Engine steady stay nut	4
36-382	.. Engine stay stud nut lockwasher (shakeproof)	2
REV. COUNTER		
67-713	.. Rev counter driving member ..	1
65-9174	.. *Speedo and rev counter mounting bracket	1
2-204	.. *Speedo and rev counter mounting bracket screw	2
2-1462	.. *Speedo and rev counter mounting bracket washer	2
65-9164	.. Rev counter gearbox	1
*Required when Rev. Counter and Speedo is fitted		
65-9166	.. †Rev counter head	1
65-9167	.. †Rev counter fixing bracket ..	1
15-7383	.. †Rev counter support bracket rubber	4
27-8560	.. †Rev counter support bracket washer	8
24-8328	.. †Rev counter bracket fixing bolt ..	2
65-9172	.. †Rev counter cable	1
† Required when rev counter only is fitted		
67-9106	.. Twin seat bracket and mudguard washer	2
GEARBOX		
65-3459	.. Kickstarter crank complete (for folding pedal)	1
65-3460	.. Kickstarter crank only (for folding pedal)	1
65-3427	.. Kickstarter crank pedal	1
65-3428	.. Kickstarter crank pedal spring ..	1
29-5156	.. Kickstarter pedal bolt	1
66-4707	.. Kickstarter pedal bolt washer ..	1
2-220	.. Kickstarter crank spring bolt ..	1
29-541	.. Kickstarter crank spring bolt washer	1

Part No.	Description	Number per Set
FRAME AND FITTINGS		
67-4141	.. Frame front	1
67-4142	.. Chainstay and backstay complete ..	1
BATTERY CARRIER		
67-4623	.. Battery carrier complete	1
29-4665	.. Battery locating strip complete ..	1
29-4657	.. Battery carrier strap	1
29-4664	.. Battery carrier hinge pin	1
65-2353	.. Battery carrier swivel block tapped	1
65-2352	.. Battery carrier swivel block (plain)	1
29-4661	.. Battery strap bolt	1
29-4662	.. Battery strap bolt saddle washer ..	1
2-204	.. Battery carrier support bolt ..	1
27-8560	.. Battery carrier support bolt washer (shakeproof)	1
29-541	.. Battery carrier support bolt washer (shakeproof)	1
2-2395	.. Battery carrier support bolt nut ..	1
PROP STAND		
67-4888	.. Prop stand, complete	1
HANDLEBAR		
65-4963	.. Handlebar (Western type)	1
FRONT FORKS		
67-5060	.. Front fork, complete	1
67-5042	.. Fork outer sleeve, complete (nearside)	1
2-370	.. Headlamp washer	2
65-5421	.. Steering damper knob securing plate	1
2-6026	.. Handlebar and damper knob securing plate bolt	2
2-923	.. Handlebar plate bolt washer ..	4
66-5088	.. Fork top yoke	1
FRONT WHEEL AND FITTINGS		
67-5598/44	.. Front wheel complete (less brake and tyre)	1
67-5599/3	.. Front wheel rim	1
REAR WHEEL AND FITTINGS		
65-6297/44	.. Rear wheel complete (less brake and tyre)	1
65-6298/3	.. Rear wheel rim	1
FRONT MUDGUARDS AND FITTINGS		
67-6556/3	.. Front mudguard with fixed fittings	1
67-6557/3	.. Front mudguard stay	1
67-6559	.. Front mudguard bridge	1
67-6560	.. Front mudguard stiffener	1
24-7178	.. Front mudguard stiffener screw ..	2
2-2580	.. Front mudguard stiffener washer ..	2
2-2395	.. Front mudguard securing nut ..	6
27-8560	.. Front mudguard securing nut washer	4
2-1462	.. Front mudguard securing nut washer (spring)	6
15-7161	.. Front mudguard securing screw ..	4
28-2338	.. Front mudguard bridge securing screw (nearside)	2
32-194	.. Front mudguard bridge securing screw (offside)	2
2-49	.. Front mudguard bridge securing screw nut	4
36-382	.. Front mudguard bridge washer (shakeproof)	4

SUPER FLASH 650 c.c.—continued

As STANDARD A10 MODEL except the following

Part No.	Description	Number per Set	Part No.	Description	Number per Set
FRONT STAND			REAR MUDGUARDS AND FITTINGS—continued		
67-6558/3 ..	Front stand, complete	1	2-449 ..	Rear mudguard to seat stay fixing bolt nut	2
2-14 ..	Front stand screw	1	90-6797 ..	Rear number plate complete	1
2-2580 ..	Front stand washer (thin)	1	15-7161 ..	Rear number plate fixing screw (top)	2
2-6537 ..	Front stand washer (thick)	1	27-8560 ..	Rear number plate fixing screw washer (top) (plain)	2
27-410 ..	Front stand locknut	1	2-1462 ..	Rear number plate fixing screw washer (top) (spring)	2
15-447 ..	Front stand support nut	1	2-2395 ..	Rear number plate fixing screw nut (top)	2
2-1934 ..	Front stand swivel screw	2	15-7161 ..	Rear number plate fixing screw (bottom)	1
2-1616 ..	Stay securing nut	4	27-8560 ..	Rear number plate fixing screw washer (bottom), (plain)	1
2-923 ..	Stay securing nut washer (plain) ..	4	2-1462 ..	Rear number plate fixing screw washer (bottom) (spring)	1
24-8784 ..	Stay securing nut washer (spring) ..	4	2-2395 ..	Rear number plate fixing nut (bottom)	1
15-7354 ..	Stay securing screw	2	2-14 ..	Voltage control support bolt	2
FRONT MUDGUARD AND FITTINGS			27-8560 ..	Voltage control support bolt washer (plain)	6
65-6576 ..	Front number plate with fixing studs	1	2-1374 ..	Voltage control support bolt washer (plain)	2
2-2395 ..	Front number plate fixing screw nut	2	24-8784 ..	Voltage control bolt washer (spring)	2
2-1462 ..	Front number plate fixing washer (spring)	2	15-7383 ..	Voltage control washer (rubber)	2
REAR MUDGUARD AND FITTINGS			2-2395 ..	Voltage control bolt nut	4
67-6861/3 ..	Rear mudguard complete with fixed fittings	1	2-443 ..	Voltage control bolt locknut	2
67-6862 ..	Rear mudguard and toolbox bracket	2	2-1354 ..	Rear mudguard support stay bolt (bottom)	2
15-7161 ..	Rear mudguard and toolbox bracket bolt	4	27-8560 ..	Rear mudguard support stay bolt washer (plain)	2
27-8560 ..	Rear mudguard and toolbox bracket washer (plain)	4	2-1462 ..	Rear mudguard support stay bolt washer (spring)	2
2-1462 ..	Rear mudguard and toolbox bracket washer (spring)	4	2-2395 ..	Rear Mudguard support stay bolt nut	2
2-2395 ..	Rear mudguard and toolbox bracket bolt nut	4	67-6767 ..	Rear mudguard front bracket (off-side)	1
67-6863 ..	Rear mudguard stay top bridge	1	67-6766 ..	Rear mudguard front bracket (near-side)	1
15-7161 ..	Rear mudguard top bridge bolt	2	1-5069 ..	Rear mudguard front bracket bolt	2
27-8560 ..	Rear mudguard top bridge bolt washer (plain)	2	2-923 ..	Rear mudguard front bracket bolt washer (plain)	2
2-1462 ..	Rear mudguard top bridge bolt washer (spring)	2	36-382 ..	Rear mudguard front bracket bolt washer (spring)	2
2-2395 ..	Rear mudguard top bridge bolt nut	2	2-49 ..	Rear mudguard front bracket bolt nut	2
67-6864 ..	Rear mudguard bridge (guard to seat stay)	1	67-8313 ..	Rear mudguard chainstay bridge bolt	2
15-7161 ..	Rear mudguard bridge bolt (guard to seat stay)	2	36-382 ..	Rear mudguard chainstay bridge bolt washer (shakeproof)	2
27-8560 ..	Rear mudguard bridge bolt washer (plain) (stay to guard)	2	67-4030 ..	Rear mudguard bolt (mudguard to seat stay)	2
2-1462 ..	Rear mudguard bridge bolt washer (spring) (stay to guard)	2	67-6761 ..	Rear mudguard spacing washer (mudguard to seat stay)	2
2-2395 ..	Rear mudguard bridge bolt nut (stay to guard)	2	2-522 ..	Rear mudguard spring washer (mudguard to seat stay)	2
67-6866/3 ..	Rear mudguard support stay (top) (offside)	1	67-6844 ..	Tail lamp mounting complete	1
67-6867/3 ..	Rear mudguard support stay (bottom) (offside)	1	67-6848 ..	Tail lamp mounting stud complete	2
67-6868/3 ..	Rear mudguard support stay (near-side)	1	21-5161 ..	Tail lamp mounting stud nut	2
24-6770 ..	Rear mudguard support stay bolt (top)	2	26-9461 ..	Tail lamp mounting stud washer (plain)	4
2-923 ..	Rear mudguard support bolt washer (plain)	2	67-6839 ..	Rubber grommet for cables	2
36-382 ..	Rear mudguard support bolt washer (shakeproof)	2	PETROL TANK AND FITTINGS		
2-49 ..	Rear mudguard support stay bolt nut	2	67-8114/19	Petrol tank (2-gallon capacity)	1
			67-8114/38	Petrol tank (2-gallon capacity)	1

SUPER FLASH 650 c.c.—continued

As STANDARD A10 MODEL except the following

Part No.	Description	Number per Set	Part No.	Description	Number per Set
PETROL TANK AND FITTINGS—continued			HANDLEBAR CONTROLS—continued		
66-8351	Petrol tank filler cap	1	66-8810	Ignition control lever complete (for use with Manual Control Magneto)	1
35-707	Petrol tank filler cap split pin	1	67-8620	Ignition control cable and cover complete (for use with Manual Control Magneto)	1
65-8171	Petrol tap	2	67-8621	Ignition control cable only (for use with Manual Control Magneto) ..	1
2-930	Petrol tap washer (fibre)	as reqd.	67-8622	Ignition control cable cover (for use with Manual Control Magneto) ..	1
65-8173	Petrol pipe (flexible)	1	TOOLBOX		
65-8362	Petrol tank breather pipe	1	67-9014	Toolbox complete	1
27-8346	Petrol tank breather pipe union screw	1	29-9132	Toolbox lid fixing screw complete ..	1
67-8117	Petrol tank transfer	1	2-1027	Toolbox lid fixing screw nut	1
67-8110	Petrol tank rear support stud	1	65-9053	Toolbox lid fixing screw support bush	1
65-8172	Petrol pipe (flexible)	1	24-8927	Toolbox clip (backstay)	1
OIL TANK AND FITTINGS			15-4207	Toolbox clip bolt	1
67-8362	Oil tank with fixed fittings	1	27-8560	Toolbox clip bolt washer (plain) ..	1
66-8351	Oil tank filler cap	1	2-6537	Toolbox clip distance washer	1
35-707	Oil tank filler cap split pin	1	2-1462	Toolbox clip washer (spring)	1
29-7962	Oil tank filter complete	1	67-1710	Toolbox clip nut	1
67-8317	Oil feed pipe complete	1	2-204	Toolbox fixing bolt (to mudguard)	2
29-7971	Oil feed banjo union washer (fibre)	2	27-8560	Toolbox fixing bolt washer (plain) (to mudguard)	2
2-84	Oil tank drain plug	1	2-1462	Toolbox fixing bolt washer (spring) (to mudguard)	2
2-100	Oil tank drain plug washer	1	2-2395	Toolbox fixing bolt nut	2
65-8420	Oil return pipe connection	1	ELECTRICAL EQUIPMENT		
65-8424	Oil return pipe nut	1	19-1203	Magneto with manual control	1
65-8421	Oil return pipe nut washer (fibre) ..	1	19-514	Headlamp	1
65-2060	Oil pipe connection (rubber)	2	19-2019	Electric horn	1
65-8422	Oil pipe ferrule	4	EQUIPMENT		
66-8362	Oil level transfer	1	19-2107	Speedometer (120 m.p.h.)	1
HANDLEBAR CONTROLS			67-9057	Speedometer cable	1
67-8607	Front brake cable and cover complete	1	65-9111	Speedometer bracket	1
67-8608	Front brake cable only	1	65-9179	Speedometer bracket bolt	2
67-8609	Front brake cable cover	1	15-7383	Speedometer bracket rubber	4
67-8687	Clutch control cable and cover complete	1	2-1374	Speedometer bracket washer	2
67-8688	Clutch control cable only	1			
67-8689	Clutch control cable cover	1			
67-8524	Air control cable and cover complete	1			
67-8525	Air control cable	1			
67-8526	Air control cable cover (long)	1			
65-8839	Air control cable cover (short)	1			
67-8527	Throttle control cable and cover complete	1			
67-8528	Throttle control cable	1			
67-8529	Throttle control cable cover (long)	1			
65-8835	Throttle control cable cover (short)	1			

NUMERICAL INDEX—SUPER FLASH

Part No.	Page	Part No.	Page	Part No.	Page
2-14	00	19-2107	60	65-9165	60
2-14	00	21-5161	60	65-9166	60
2-49	00	24-195	60	65-9172	60
2-49	11	24-5160	60	65-9174	60
2-49	00	24-6040	60	65-9179	60
2-84	00	24-6770	60	66-4707	60
2-100	00	24-7178	60	66-5088	60
2-204	00	24-8328	60	66-8351	60
2-204	00	24-8784	60	66-8351	60
2-204	00	24-8784	60	66-8362	60
2-220	00	24-8927	60	66-8810	60
2-370	00	26-9461	60	67-356	60
2-443	00	27-410	60	67-529	60
2-449	00	27-8346	60	67-540	60
2-522	00	27-8560	60	67-572	60
2-923	00	27-8560	60	67-712	60
2-923	00	27-8560	60	67-713	60
2-923	00	27-8560	60	67-714	60
2-923	00	27-8560	60	67-715	60
2-930	00	27-8560	60	67-885	60
2-1027	00	27-8560	60	67-886	60
2-1354	50	27-8560	60	67-931	60
2-1374	00	27-8560	60	67-932	60
2-1374	00	27-8560	60	67-956	60
2-1462	50	27-8560	60	67-957	60
2-1462	50	27-8560	60	67-965	60
2-1462	50	28-2338	60	67-967	60
2-1462	50	29-541	60	67-968	60
2-1462	50	29-541	60	67-974	60
2-1462	50	29-4101	60	67-975	60
2-1462	50	29-4657	60	67-1710	60
2-1462	50	29-4661	60	67-2770	60
2-1462	50	29-4662	60	67-2774	60
2-1462	50	29-4664	60	67-4030	60
2-1462	50	29-4665	60	67-4141	60
2-1616	50	29-5156	60	67-4142	60
2-1934	60	29-7962	60	67-4623	60
2-2395	60	29-7972	60	67-4888	60
2-2395	60	29-9132	60	67-5042	00
2-2395	60	32-19	60	67-5060	60
2-2395	60	35-707	60	67-5556/3	00
2-2395	60	35-707	60	67-5557/3	60
2-2395	60	36-382	60	67-5598/44	60
2-2395	60	36-382	60	67-5599/3	60
2-2395	60	36-382	60	67-6558/3	60
2-2395	60	36-382	60	67-6559	60
2-2395	60	36-382	60	67-6560/3	60
2-2395	60	65-1624	60	67-6761	60
2-2395	60	65-2060	60	67-6766	60
2-2580	60	65-2352	60	67-6767	60
2-2580	60	65-2353	60	67-6839	60
2-2580	60	65-3427	60	67-6844	60
2-2903	60	65-3428	60	67-6848	60
2-5069	60	65-3459	60	67-6861/3	60
2-6026	60	65-3460	60	67-6862	60
2-6537	60	65-4963	60	67-6863	60
2-6537	60	65-5421	60	67-6864	60
15-447	60	65-6297/44	60	67-6865	60
15-4207	60	65-6298/3	66	67-6866/3	60
15-7161	60	65-6576	60	67-6867/3	60
15-7161	60	65-8171	60	67-6868/3	60
15-7161	60	65-8172	60	67-8110	60
15-7161	60	65-8173	60	67-8114/19	60
15-7161	60	65-8362	60	67-8114/38	60
15-7161	60	65-8420	60	67-8117	60
15-7161	60	65-8421	60	67-8313	60
15-7354	60	65-8422	60	67-8319	60
15-7383	60	65-8424	60	67-8362	60
15-7383	60	65-8835	60	67-8524	60
15-7383	60	65-8839	60	67-8525	60
19-514	60	65-9053	60	67-8526	60
19-1203	60	65-9111	60	67-8527	60
19-2019	60	65-9164	60	67-8528	60

NUMERICAL INDEX—SUPER FLASH *(continued)*

Part No.		Page
67-8529	..	60
67-8607	..	60
67-8608	..	60
67-8609	..	60
67-8620	..	60
67-8621	..	60
67-8622	..	60
67-8687	..	60
67-8688	..	60
67-8689	..	60
67-9014	..	60
67-9057	..	60
67-9106	..	60
90-6797	..	60
