



October, 1958

**BRITCYCLE**  
www.britcycle.com.au

LIST No. 521 (Issue No. 3)

**Spare Parts List**  
**for all Models of**  
**AMAL TWIST GRIPS**

**as used on Touring, Racing and  
Sports Motor Cycles, including  
Lightweight Machines and motor  
assisted Pedal Cycles**

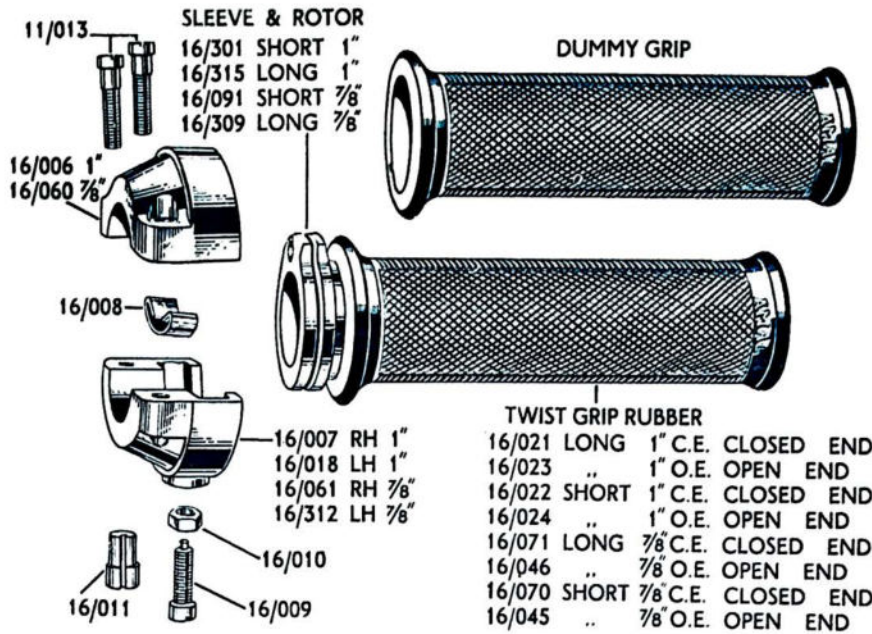
[www.britcycle.com.au](http://www.britcycle.com.au)

**AMAL LTD., HOLDFORD ROAD, WITTON,  
BIRMINGHAM 6, ENGLAND**

'Phone : Birmingham, BIRchfields 4571.  
(P.B.X. 6 lines)

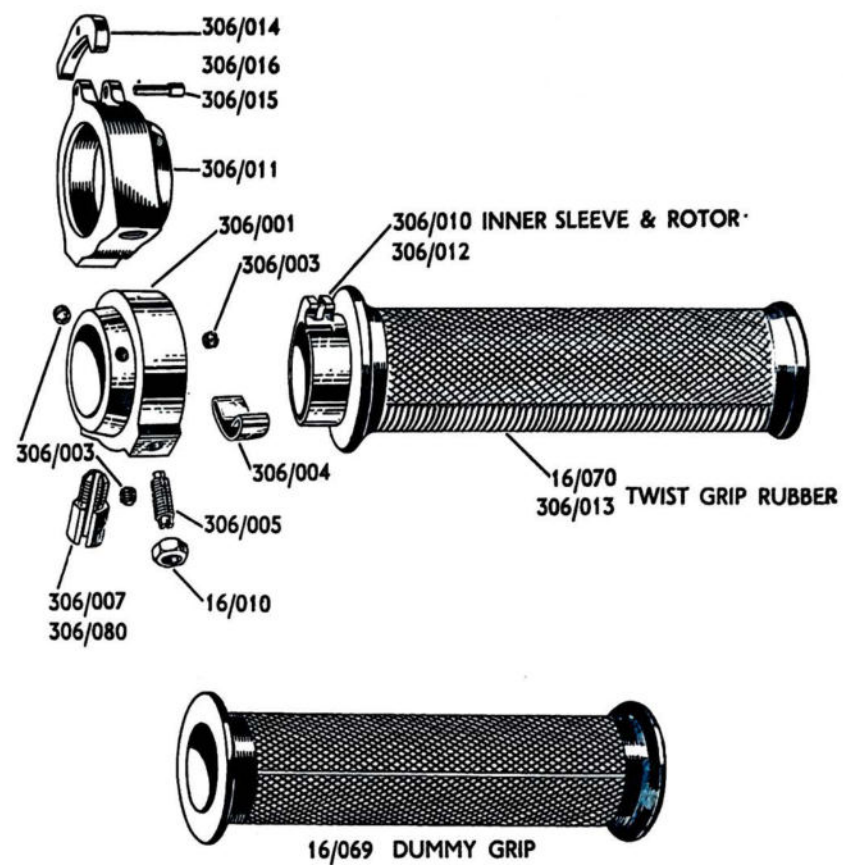
Telegrams : "AMALCARB, 'PHONE.  
BIRMINGHAM."

# Amal Type 16 Standard Twist Grip



	1" diameter BAR		3/4" diameter BAR	
	LONG 7 3/8" OA	SHORT 6" OA	LONG 7 3/8" OA	SHORT 6" OA
<b>RIGHT HAND</b> (To open inwards on RIGHT HAND BAR)				
Twist Grip complete .. .. .	16/102	16/100	16/421	16/417
Dummy Rubber (Closed End) .. ..	16/039	16/040	16/074	16/069
Dummy Rubber (Open End) .. .. .	16/039	16/044	16/073	16/072
Twist Grip Rubber (Closed End) ..	16/021	16/022	16/071	16/070
Twist Grip Rubber (Open End) .. .	16/023	16/024	16/046	16/045
Body, Top Half .. .. .	16/006	16/006	16/060	16/060
Body, Bottom Half .. .. .	16/007	16/007	16/061	16/061
Body Clamp Screws .. .. .	11/013	11/013	11/013	11/013
Friction Spring .. .. .	16/008	16/008	16/008	16/008
Screw for Friction Spring .. .. .	16/009	16/009	16/009	16/009
Nut for Screw for Friction Spring ..	16/010	16/010	16/010	16/010
Cable Stop .. .. .	16/011	16/011	16/011	16/011
Inner Sleeve and Rotor complete ..	16/315	16/301	16/309	16/091
Nipple for Wire .. .. .	12/034	12/034	12/034	12/034
<b>LEFT HAND</b> (To open inwards on LEFT HAND BAR)				
Twist Grip Complete .. .. .	16/110	16/108	16/123	16/119
Dummy Rubber (Closed End) .. ..	16/039	16/040	16/074	16/069
Dummy Rubber (Open End) .. .. .	16/039	16/044	16/073	16/072
Twist Grip Rubber (Closed End) ..	16/021	16/022	16/071	16/070
Twist Grip Rubber (Open End) .. .	16/023	16/024	16/046	16/045
Body, Top Half .. .. .	16/006	16/006	16/060	16/060
Body, Bottom Half .. .. .	16/018	16/018	16/312	16/312
Body Clamp Screws .. .. .	11/013	11/013	11/013	11/013
Friction Spring .. .. .	16/008	16/008	16/008	16/008
Screw for Friction Spring .. .. .	16/009	16/009	16/009	16/009
Nut for Screw for Friction Spring ..	16/010	16/010	16/010	16/010
Cable Stop .. .. .	16/011	16/011	16/011	16/011
Inner Sleeve and Rotor complete ..	16/315	16/301	16/309	16/091
Nipple for Wire .. .. .	12/034	12/034	12/034	12/034

# Amal Type 306 Lightweight Twist Grip

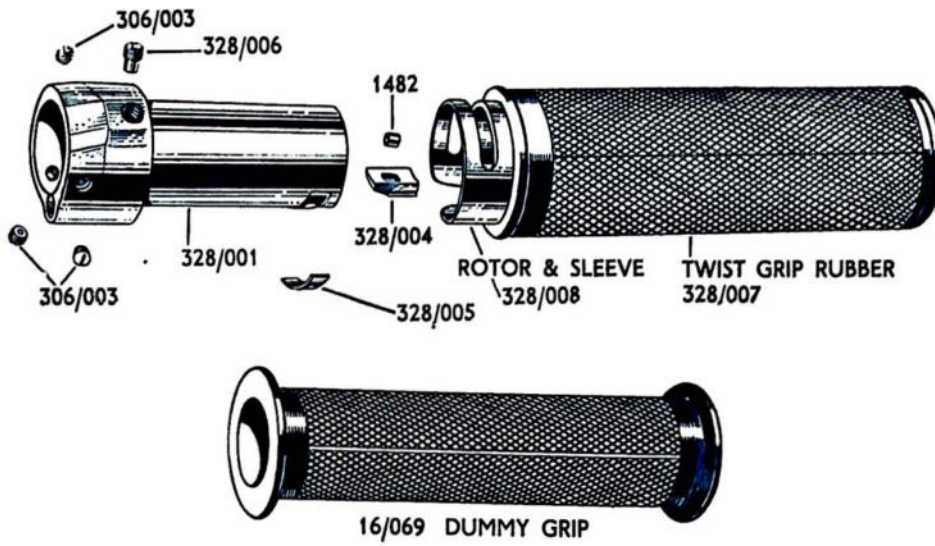


FOR  $\frac{7}{8}$  INCH OR 22 m/m. DIAMETER BAR.  $5\frac{1}{2}$  INCHES OVERALL LENGTH.  
To open inwards on Right Hand Bar.

Component	Part No.	Part No.	Part No.	Part No.
Twist Grip complete .. .. .	306/1	306/2	306 3	306/4
Twist Grip, Plastic .. .. .	16/070	306/013	306 013	306 013
Dummy Grip .. .. .	16/069	306/017	306/017	306 017
Body .. .. .	306/001	306/011	306/001	306 001
Body Grub Screw .. .. .	306/003	306/003	306/003	306/003
Friction Spring .. .. .	306/004	306/004	306/004	306/004
Screw for Friction Spring .. .. .	306/005	306/005	306/005	306/005
Nut for Screw for Friction Spring .. .. .	16/010	16/010	16 010	16/010
Cable Stop .. .. .	306/007	306/080	306/007	306/021
Inner Sleeve and Rotor .. .. .	306/010	306/012	306/020	306/020
Nipple for Wire .. .. .	306/008	355/015	306 008	306/008
Trigger .. .. .	—	306/014	—	—
Trigger Pivot .. .. .	—	306/015	—	—
Trigger Return Spring .. .. .	—	306/016	—	—
Cable Adjuster .. .. .	—	—	—	308/041
Cable Adjuster Locknut .. .. .	—	—	—	308/042

October, 1958

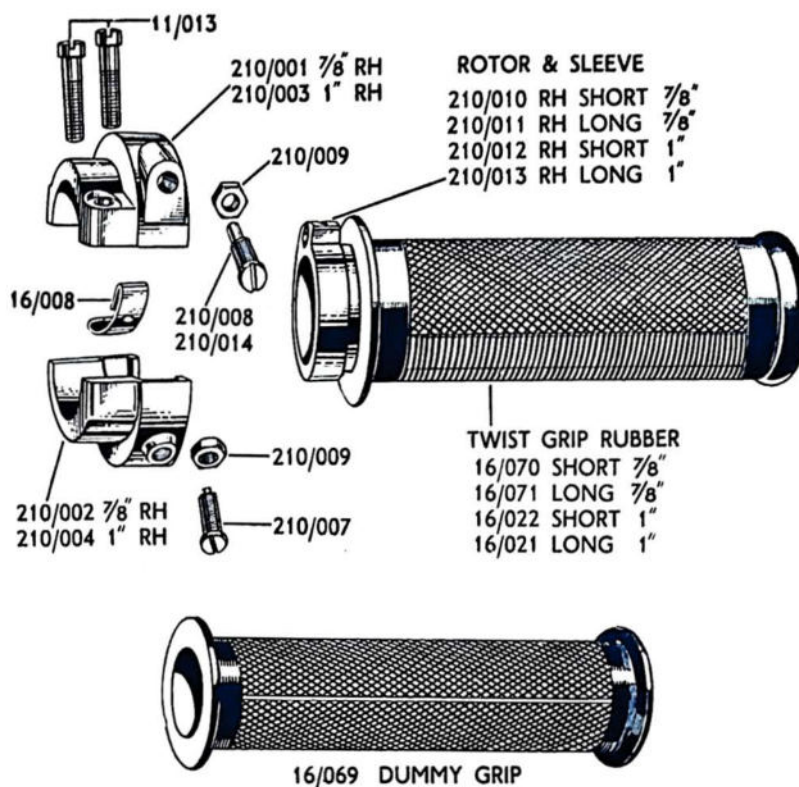
# Amal Type 328 Straight Pull Twist Grip



FOR  $\frac{7}{8}$  INCH BAR.

	Part No.
Twist Grip Complete .. .. .	328/1
Body .. .. .	328/001
Grip, Plastic .. .. .	328/007
Friction Spring .. .. .	328/005
Body Grub Screw .. .. .	306/003
Nipple Slide .. .. .	328/004
Helix Tube and Sleeve .. .. .	328/008
Rotary Stop Screw .. .. .	328/006
Nipple .. .. .	15/1625
Dummy Grip .. .. .	16/069

# Amal Type 210 Positive Stop Racing Twist Grip

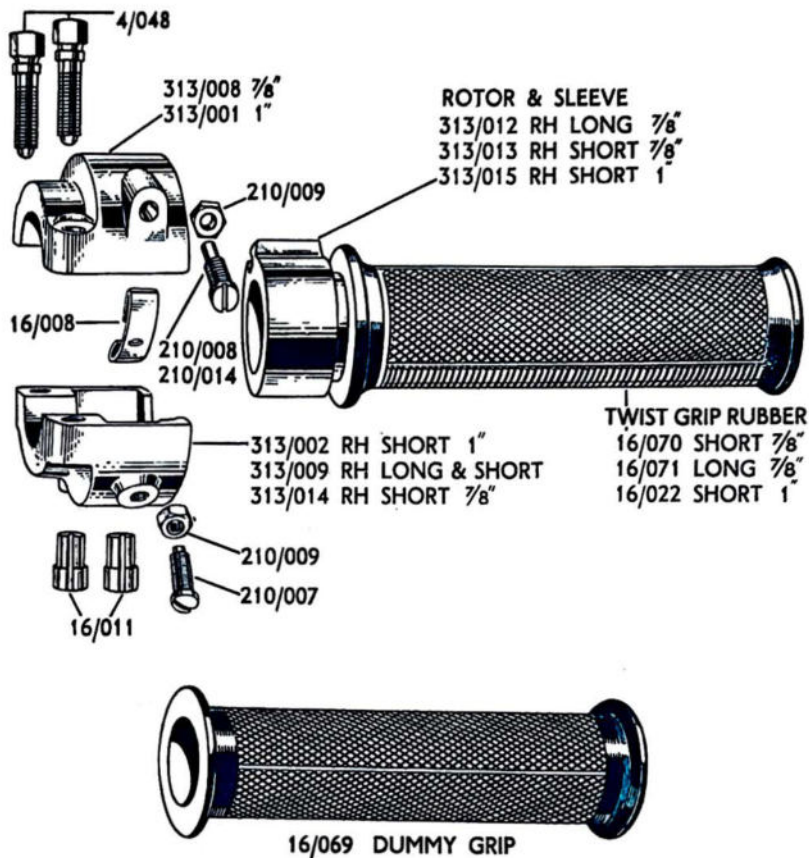


FOR 7/8 INCH AND 1 INCH DIAMETER BARS. RIGHT HAND ONLY.

	7/8" Short	7/8" Long	1" Short	1" Long
Twist Grip Complete .. .. .	210/101	210/102	210/103	210/104
Body, Top Half .. .. .	210/001	210/001	210/003	210/003
Body, Bottom Half .. .. .	210/002	210/002	210/004	210/004
Rotor and Sleeve .. .. .	210/010	210/011	210/012	210/013
Rubber Grip .. .. .	16/070	16/071	16/022	16/021
Friction Spring .. .. .	16/008	16/008	16/008	16/008
Friction Spring Screw .. .. .	210/007	210/007	210/007	210/007
Adjusting Stop Screw (For 1 1/16" to 1 3/16" bore carburetter)	210/008	210/008	210/008	210/008
Adjusting Stop Screw (For 1 5/16" to 1 7/16" bore carburetter)	210/014	210/014	210/014	210/014
Adjusting Stop Screw (For 1 1/4" to 1 5/8" bore carburetter)	210/024	210/024	210/024	210/024
Locknut for Spring Adjusting and Rotor Stop .. .. .	210/009	210/009	210/009	210/009
Body Screws .. .. .	11/013	11/013	11/013	11/013
Cable Nipple .. .. .	12/034	12/034	12/034	12/034

October, 1958

## Amal Type 313 Positive Stop Twist Grip Double Rotor (for Twin Cables)

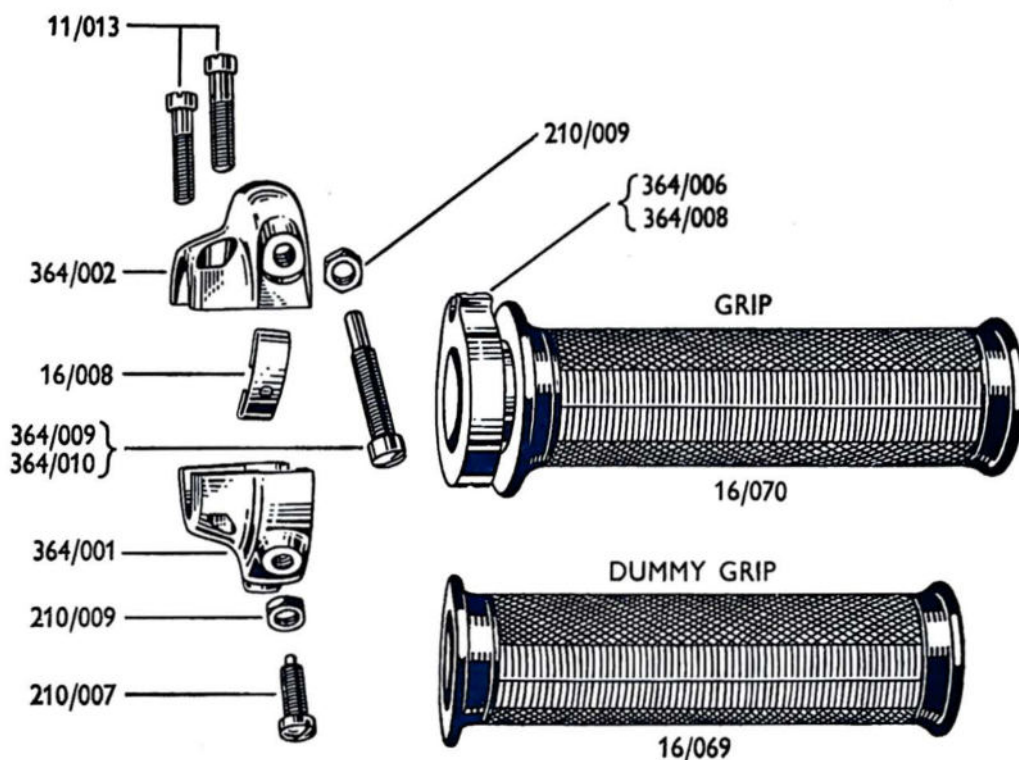


FOR 7/8 INCH AND 1 INCH DIAMETER RIGHT HAND BAR ONLY.  
(Supplied with or without stops).

	7/8\" Long	7/8\" Short	7/8\" Short	1\" Short	1\" Long
Twist Grip Complete .. .. .	313/1	313/2	313/3	313/4	313/5
Twist Grip Rubber .. .. .	16/071	16/070	16/070	16/022	16/021
Body, Top Half .. .. .	313/008	313/008	313/008	313/001	313/001
Body, Bottom Half .. .. .	313/009	313/009	313/014	313/002	313/002
Rotor Sleeve and Rotor .. .. .	313/012	313/013	313/013	313/015	313/017
Clamp Bolts .. .. .	4/048	4/048	4/048	4/048	4/048
Friction Spring .. .. .	16/008	16/008	16/008	16/008	16/008
Spring Adjuster .. .. .	210/007	210/007	210/007	210/007	210/007
Locknut for Spring Adjuster and Rotor Stop .. .. .	210/009	210/009	210/009	210/009	210/009
Cable Stop .. .. .	16/011	16/011	16/011	16/011	16/011
Cable Nipple .. .. .	18/566	18/566	18/566	18/566	18/566
Rotor Stop Screw (For 1 1/16\" to 1 3/16\" bore Carburetters)	210/008	210/008	—	210/008	210/008
Rotor Stop Screw (For 1 5/16\" to 1 7/16\" bore carburetters)	210/014	210/014	—	210/014	210/014
Rotor Stop Screw (For 1 1/4\" to 1 5/32\" bore carburetters)	210/024	210/024	—	210/024	—

# Amal Type 364 Positive Stop Twist Grip

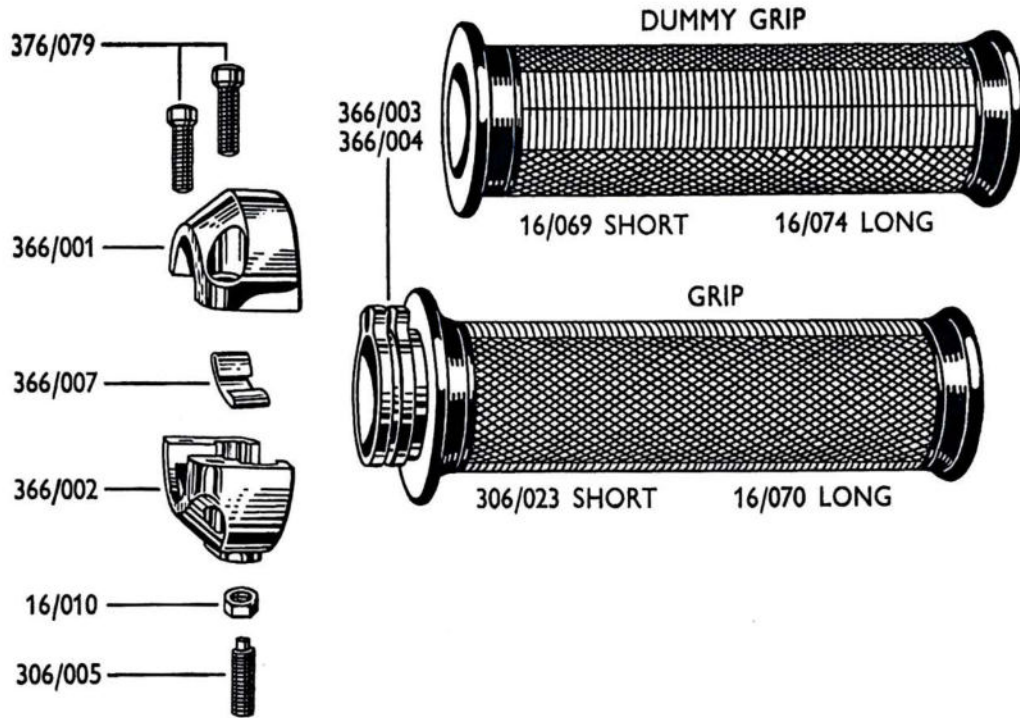
For Types T3, T5, T10 and T15 Carburettors.



FOR  $\frac{7}{8}$  INCH DIAMETER BAR. R.H. ONLY. SHORT 5 INCH.

Component	Short T/G for T10 & T15 Carbs.	Short T/G for T3 & T5 Carbs.
Twist Grip complete .. .. .	364/1	364/2
Body, Top Half .. .. .	364/002	364/002
Body, Bottom Half .. .. .	364/001	364/001
Rotor Sub-Assembly .. .. .	364/008	364/006
Friction Spring .. .. .	16/008	16/008
Grip .. .. .	16/070	15/070
End Plug .. .. .	210/022	210/022
Body Screws .. .. .	11/013	11/013
Friction Spring Screw .. .. .	210/007	210/007
Locknuts .. .. .	210/009	210/009
Adjusting Stop Screw .. .. .	364/010	364/009
Cable Nipple .. .. .	12/034	12/034
Dummy Grip .. .. .	16/069	16/069

## Amal Type 366 Standard Twist Grip



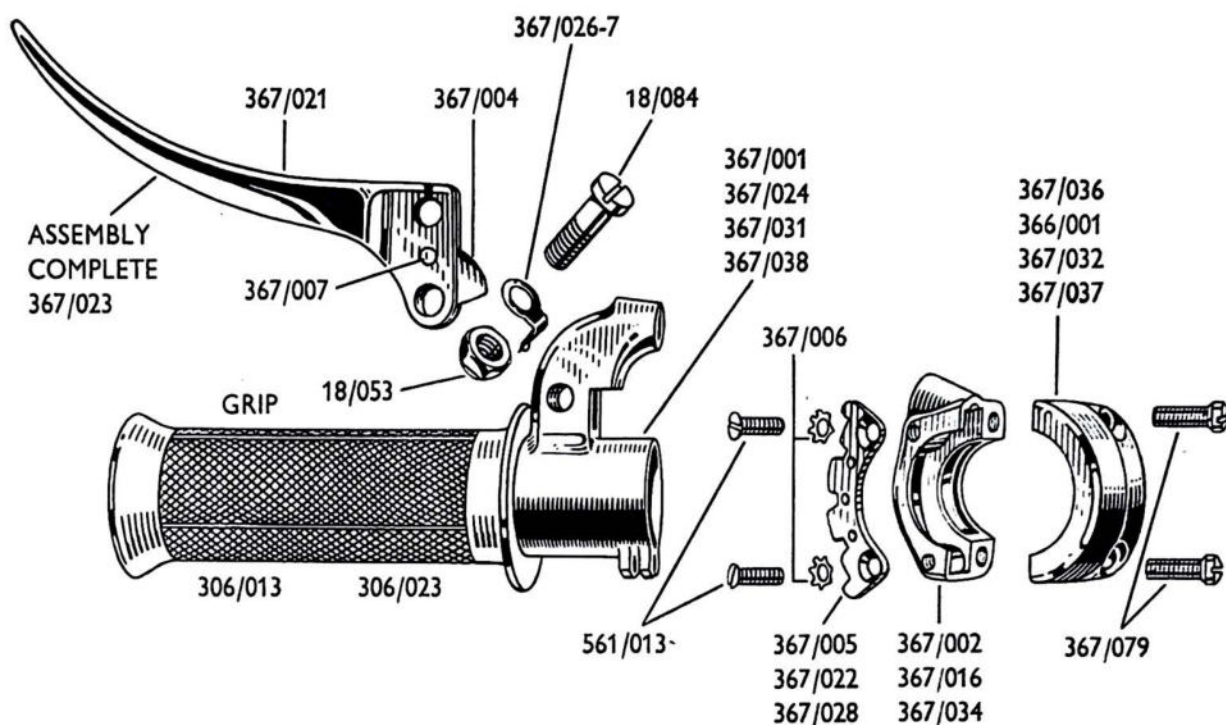
FOR  $\frac{7}{8}$  INCH DIAMETER BAR. R.H. ONLY. SHORT 4 INCH. LONG 5 INCH.

Component	Long T/G	Long T/G	Short T/G	Long T/G
Twist Grip, complete .. .. .	366/1	366/2	366/3	366/4
Body Top Half .. .. .	366/001	366/001	366/001	366/001
Body Bottom Half .. .. .	366/002	366/002	366/002	366/002
Rotor .. .. .	366/004	366/004	366/003	366/004
Cable Nipple .. .. .	366/005	366/005	366/005	366/005
Friction Spring .. .. .	366/007	366/007	—	366/007
Adjusting Screw .. .. .	306/005	306/005	—	306/005
Securing Screws .. .. .	376/079	376/079	376/079	376/079
Grip .. .. .	16/070	16/070	306/023	16/070
Cable Stop .. .. .	366/006	366/006	366/006	366/006
Dummy Grip .. .. .	16/074	16/074	16/069	16/074
Locknut .. .. .	16/010	16/010	—	16/010



# Amal Type 367 Twist Grip

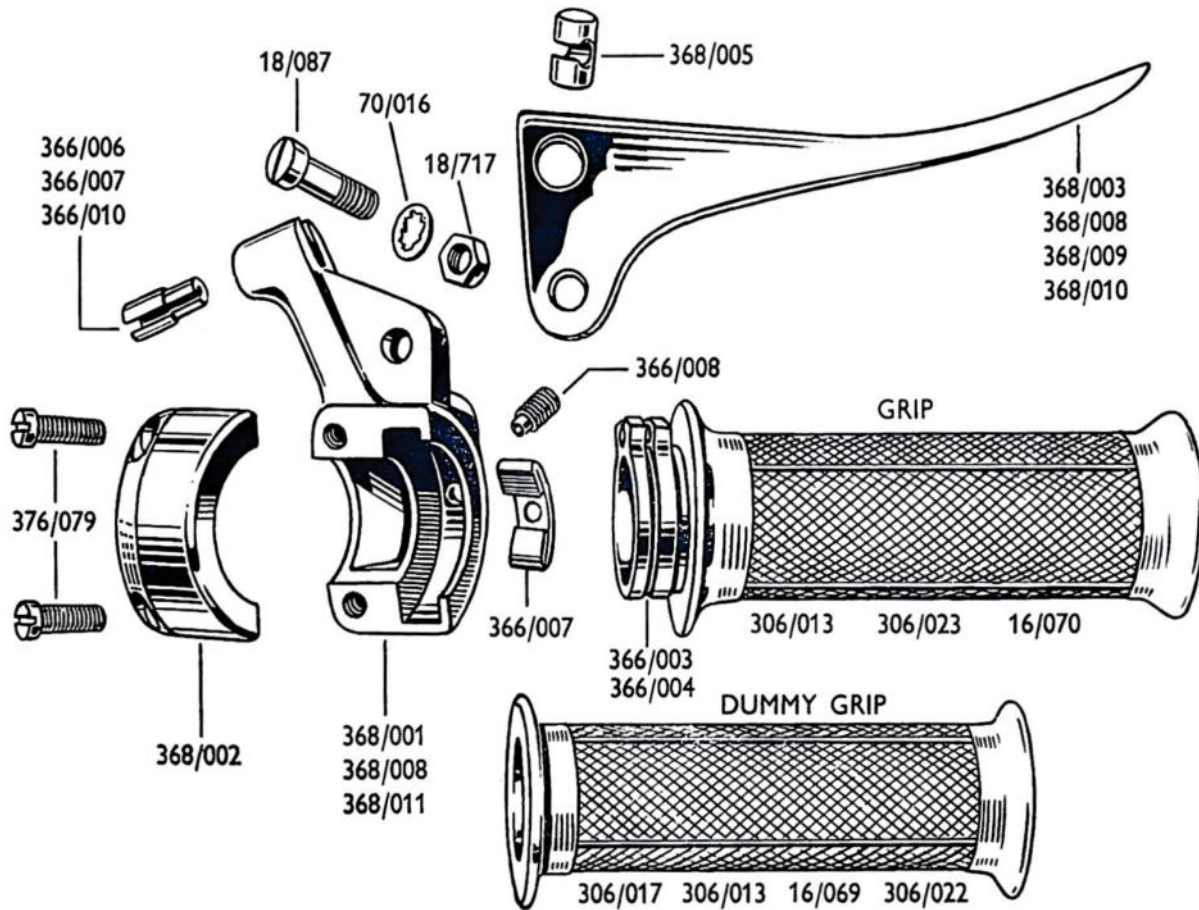
Combined with Clutch Control Lever and Gear Change.



FOR  $\frac{7}{8}$  INCH DIAMETER BAR. L.H. ONLY.

	Hercules	Mercury	Norman	Dunkley	Dunkley	Norman
Assembly, complete .. ..	367/1	367/4	367/6	367/7	367/8	367/9
Rotor and Clutch Lever Bracket	367/001	367/024	367/031	367/001	367/001	367/038
Clutch Lever .. ..	367/021	367/021	367/033	367/021	367/021	367/021
Lever Stop Plate .. ..	367/004	367/004	367/004	367/004	367/004	367/004
Lever Stop Plate Rivet .. ..	367/007	367/007	367/007	367/007	367/007	367/007
Lever and Stop Plate, complete	367/023	367/023	367/030	367/023	367/023	367/023
Lever Nipple .. ..	367/013	367/013	367/013	367/013	367/013	367/013
Body, Top Half .. ..	367/036	366/001	367/032	367/037	367/037	367/037
Securing Screws .. ..	367/079	367/079	367/079	367/079	367/079	367/079
Pivot Pin .. ..	18/084	18/084	18/084	18/084	18/084	18/084
Pivot Pin Nut .. ..	18/053	18/053	18/053	18/053	18/053	18/053
Grip .. ..	306/013	306/023	306/023	306/023	306/023	306/023
Gear Change Body .. ..	367/002	367/016	367/034	367/016	367/034	367/034
Gear Change Plate .. ..	367/005	367/022	367/028	367/028	367/028	367/022
Gear Change Plate Screws .. ..	561/013	561/013	561/013	561/013	561/013	561/013
Washers, Shakeproof .. ..	367/006	367/006	367/006	367/006	367/006	367/006
Gear Nipple .. ..	366/005	366/005	366/005	366/005	366/005	366/005
Ferrule .. ..	18/145	—	—	18/073	18/069	—
Cable Stop .. ..	—	366/010	—	366/010	—	—
Locating Spring .. ..	—	—	367/026-7	367/027	367/027	367/027
Cable Adjuster .. ..	—	—	367/035	367/035	367/035	—
Adjuster Nut .. ..	—	—	2627	2627	2627	—
Drive Screw (Kalon) .. ..	—	—	356/043	—	—	—

# Amal Type 368 Combined Twist Grip and Lever



FOR  $\frac{7}{8}$  INCH DIAMETER BAR. R.H. ONLY.

Component	Part No.	Part No.	Part No.	Part No.	Part No.	Part No.
Assembly, complete .. ..	368/1	368/2	368/3	368/4	368/7	368/8
Body, Bottom Half .. ..	368/008	368/001	368/001	368/008	368/001	368/008
Body, Top Half .. ..	368/002	368/002	368/002	368/002	368/002	368/002
Lever .. ..	368/003	368/003	368/003	368/003	368/009	368/010
Roller .. ..	368/005	368/005	368/005	368/005	368/005	—
Nipple .. ..	368/006	368/006	368/006	368/006	368/006	—
Pivot Pin .. ..	18/087	18/087	18/087	18/087	18/087	18/087
Pivot Pin Nut .. ..	18/717	18/717	18/717	18/717	18/717	18/717
Cable Stop .. ..	366/006	368/007	366/006	366/010	366/006	366/006
Rotor .. ..	366/003	366/003	366/003	366/003	366/004	366/003
Nipple .. ..	366/005	366/005	366/005	366/005	366/005	366/005
Friction Spring .. ..	366/007	366/007	366/007	366/007	366/007	366/007
Friction Spring Adjusting Screw	366/008	366/008	366/008	366/008	366/008	366/008
Clamp Screws .. ..	376/079	376/079	376/079	376/079	376/079	376/079
Grip .. ..	306/013	306/013	306/013	306/023	16/070	306/023
Lockwasher .. ..	70/016	70/016	70/016	70/016	70/016	70/016
Dummy Grip .. ..	306/017	306/013	306/017	—	16/069	306/022