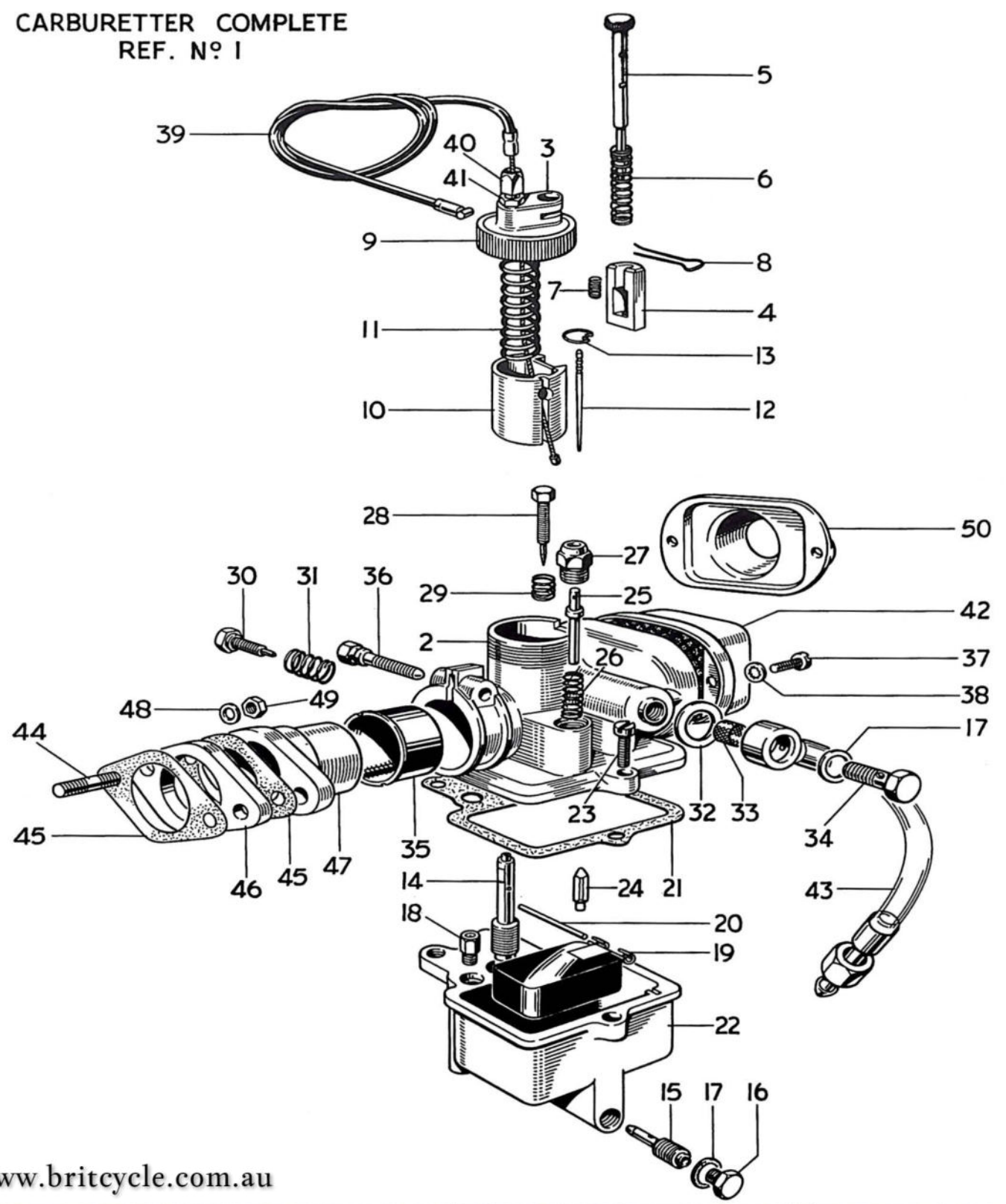


TRIUMPH

SERVICE BULLETIN

No. 230

CARBURETTOR COMPLETE
REF. N° 1



PARTS LIST FOR AMAL TYPE 32 CARBURETTER

Carburetter 32/1 is fitted with small E3981 filter from Engine No.83192

Carburetter 32/3 is fitted with round dry felt E4060 filter from Engine No.81890

Check carburetter Part No. when ordering to ensure correct settings.

REF.No.	PART No.	DESCRIPTION	QUANTITY	
			T20	T20
1	32/1	CARBURETTER c/w THROTTLE CABLE	1	-
1	32/3	CARBURETTER c/w THROTTLE CABLE	-	1
2	32/001	Mixing chamber	1	1
3	363/094	Mixing chamber top	1	1
4	32/045	Air valve	1	1
5	32/048	Air valve rod	1	1
6	332/009	Return spring	1	1
7	332/008	Bottom spring	1	1
8	32/050	Click spring	1	1
9	332/012	Cap ring	1	1
10	32/046	Throttle valve (No.4 Cutaway)	1	-
10	32/046	Throttle valve (No.2 Cutaway)	-	1
11	332/021	Throttle return spring	1	1
12	32/028	Needle	1	1
13	363/093	Needle clip	1	1
14	32/033	Needle jet (.103)	1	1
15	32/023	Main jet (85)	1	-
15	32/023	Main jet (110)	-	1
16	335/024	Plug screw	1	1
17	116/124	Fibre washer	2	2
18	4/042	Pilot jet (15)	1	1
19	32/041	Float	1	1
20	32/032	Float spindle	1	1
21	32/021	Joint washer	1	1
22	32/020	Float chamber	1	1
23	32/038	Screw	2	2
24	376/089	Float needle	1	1
25	343/012	Tickler	1	1
26	376/087	Tickler spring	1	1
27	343/011	Tickler body	1	1
28	376/119	Pilot air screw	1	1
29	4/148	Spring	1	1
30	32/066	Throttle stop screw	1	1
31	198/012	Spring	1	1
32	391/026	Fibre washer	1	1
33	32/026	Filter gauze	1	1
34	32/027	Banjo bolt	1	1
35	32/029	Insulating sleeve	1	1
36	4/048	Clamping screw	1	1
37	32/044	Screw	2	2
38	32/043	Serrated washers	2	2
39	D453	Throttle cable	1	1
40	4/035	Cable adjuster	1	1
41	5/077	Adjuster locknut	1	1
42	E3981	Filter	1	-
43	F5089	Petrol pipe	1	1
44	E3171	Stud (1-5/32 in. O.A.)	2	2
45	E3250	Joint washer	2	2
46	E3254	Insulating block	1	1
47	E3954	Carburetter adaptor	1	1
48	S25-13	Plain washer	2	2
49	F879	Nut	2	2
50	E3955	Air intake adaptor	-	1